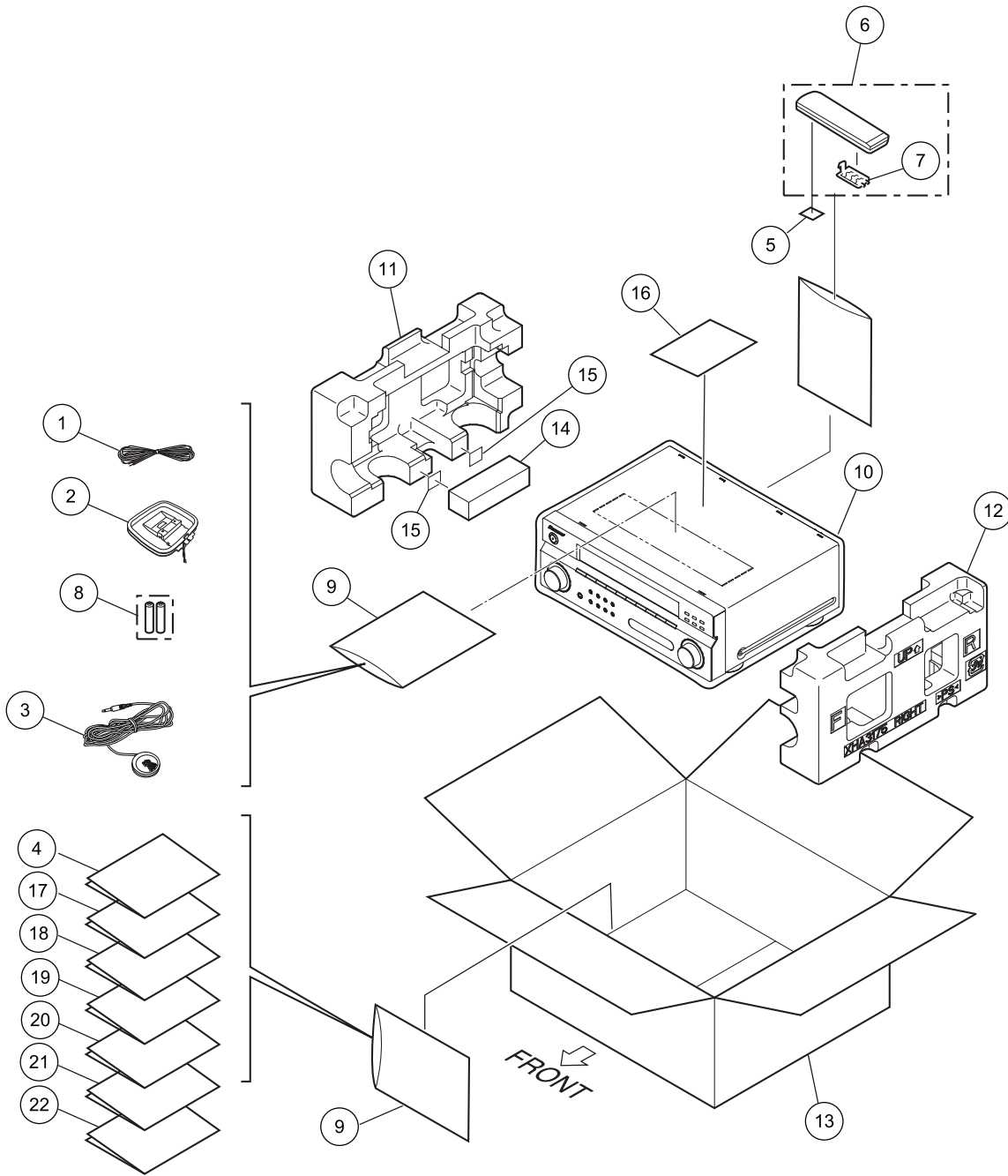


9. EXPLODED VIEWS AND PARTS LIST

- NOTES:
- Parts marked by "NSP" are generally unavailable because they are not in our Master Spare Parts List.
 - The \triangle mark found on some component parts indicates the importance of the safety factor of the part. Therefore, when replacing, be sure to use parts of identical designation.
 - Screws adjacent to \blacktriangledown mark on product are used for disassembly.
 - For the applying amount of lubricants or glue, follow the instructions in this manual. (In the case of no amount instructions, apply as you think it appropriate.)

9.1 PACKING SECTION



(1) PACKING SECTION PARTS LIST

<u>Mark No.</u>	<u>Description</u>	<u>Part No.</u>	<u>Mark No.</u>	<u>Description</u>	<u>Part No.</u>
1	FM Wire Antenna	ADH7030	NSP 16	Warranty Card	ARY7111
2	AM Loop Antenna	ATB7013	17	Operating Instructions (Italian)	XRC3320
3	Microphone (for Auto MCACC setup)	APM7008	18	Operating Instructions (Dutch)	XRC3321
4	Operating Instructions (English)	XRB3091	19	Operating Instructions (Spanish)	XRC3322
5	Label (WEEE)	ARW7322	20	Operating Instructions (French)	XRC3323
6	Remote Control	See Contrast table (2)	21	Operating Instructions (German)	XRC3324
7	Battery Cover	AZN7933	22	Operating Instructions (Russian)	XRC3331
NSP 8	Dry Cell Battery (AA, R6)	XEX3002			
NSP 9	Polyethylene Bag (0.03 x 230 x 340)	Z21-038			
10	Packing Sheet	AHG7069			
11	Left Pad V5	XHA3174			
12	Right Pad V5	XHA3175			
13	Packing Case	See Contrast table (2)			
14	Sub Pad	XHA3179			
NSP 15	DS Tape	XEH3001			

(2) CONTRAST TABLE

VSX-918V-K/MYSXJ5, VSX-918V-S/MYSXJ5, VSX-818V-K/MYSXJ5 and VSX-818V-S/MYSXJ5 are constructed the same except for the following:

Mark	No.	Symbol and Description	VSX-918V-K/ MYSXJ5	VSX-918V-S/ MYSXJ5	VSX-818V-K/ MYSXJ5	VSX-818V-S/ MYSXJ5
	6	Remote Control	XXD3166	XXD3167	XXD3166	XXD3167
	13	Packing Case	XHD3764	XHD3765	XHD3773	XHD3774

9.2 EXTERIOR SECTION

1

2

3

4

A

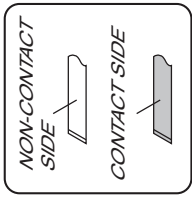
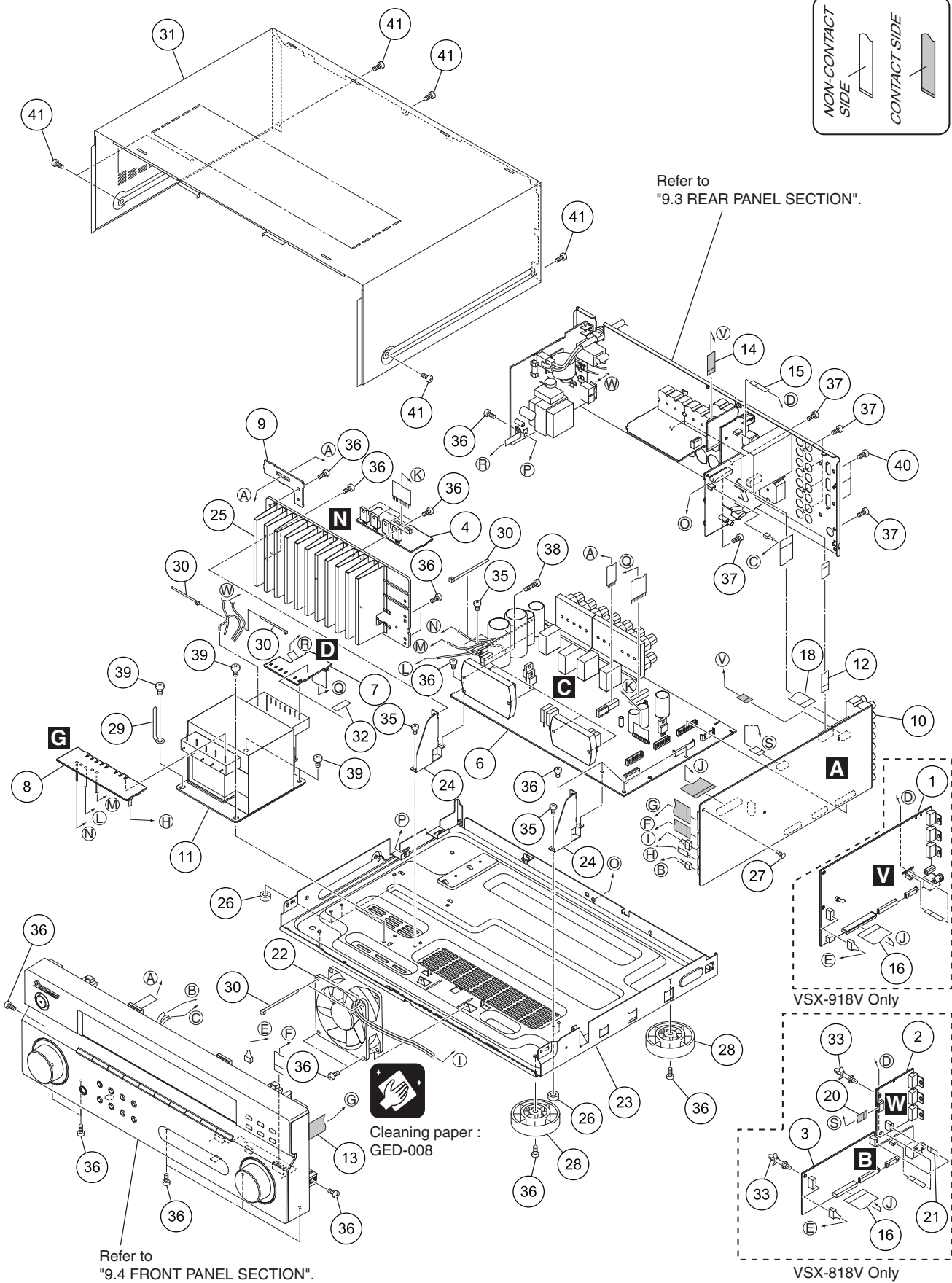
B

C

D

E

F



Refer to "9.3 REAR PANEL SECTION".

Refer to "9.4 FRONT PANEL SECTION".



Cleaning paper : GED-008

VSX-918V Only

VSX-818V Only

1

2

3

4

(1) EXTERIOR SECTION PARTS LIST

<u>Mark No.</u>	<u>Description</u>	<u>Part No.</u>	<u>Mark No.</u>	<u>Description</u>	<u>Part No.</u>
1	HDMI_DSP_USB Assy	See Contrast table (2)	NSP 26	Spacer	AEB7092
2	HDMI Assy	See Contrast table (2)	27	Push Rivet	AEC7205
3	DSP_USB Assy	See Contrast table (2)	28	Insulator	PNW2766
4	REGULATOR Assy	XWZ4317	29	Cord Clamper	RNH1005
5	•••••		NSP 30	Binder (BK-1)	ZCA-BK1
6	POWER PACK Assy	XWZ4326	31	Bonnet	See Contrast table (2)
7	TRANS 2 Assy	XWZ4335	32	ICP Label	XAX3121
8	TRANS 3 Assy	XWZ4337	NSP 33	PCB Holder	See Contrast table (2)
9	BIND Assy	XWZ4344	34	•••••	
10	MAIN Assy	See Contrast table (2)	35	Screw	BBZ30P060FCC
△ 11	Power Transformer (T1501)	XTS3113	36	Screw	BBZ30P080FNI
12	11P Flexible Cable (J1911)	XDD3189	37	Screw	BBZ30P080FTB
13	17P Flexible Cable (J1905)	XDD3200	38	Screw	BBZ30P140FTC
14	7P Flexible Cable (J1919)	XDD3235	39	Screw	BBZ40P080FNI
15	5P Flexible Cable (J1912)	XDD3248	40	Screw	PMZ30P060FCC
16	35P Flexible Cable (J1917)	See Contrast table (2)	41	Screw	See Contrast table (2)
17	•••••				
18	19P Flexible Cable (J1908)	See Contrast table (2)			
19	•••••				
20	7P Flexible Cable	See Contrast table (2)			
21	5P Flexible Cable	See Contrast table (2)			
△ 22	DC Fan Motor	XXM3012			
NSP 23	Chassis 918	XNA3060			
24	H/S Angle V3	XNG3145			
NSP 25	H/Sink V5	XNH3048			

(2) CONTRAST TABLE

VSX-918V-K/MYSXJ5, VSX-918V-S/MYSXJ5, VSX-818V-K/MYSXJ5 and VSX-818V-S/MYSXJ5 are constructed the same except for the following:

Mark	No.	Symbol and Description	VSX-918V-K/ MYSXJ5	VSX-918V-S/ MYSXJ5	VSX-818V-K/ MYSXJ5	VSX-818V-S/ MYSXJ5
	1	HDMI_DSP_USB Assy	AWX8977	AWX8977	Not used	Not used
	2	HDMI Assy	Not used	Not used	AWX8966	AWX8966
	3	DSP_USB Assy	Not used	Not used	AWX9164	AWX9164
	10	MAIN Assy	XWK3363	XWK3363	XWK3359	XWK3359
	16	35P Flexible Cable (J1917)	XDD3249	XDD3249	Not used	Not used
	16	27P Flexible Cable (J1931)	Not used	Not used	XDD3271	XDD3271
	18	19P Flexible Cable (J1908)	XDD3253	XDD3253	Not used	Not used
	18	13P Flexible Cable (J1907)	Not used	Not used	XDD3259	XDD3259
	20	7P Flexible Cable (J1909)	Not used	Not used	XDD3255	XDD3255
	21	5P Flexible Cable (J1910)	Not used	Not used	XDD3256	XDD3256
	31	Bonnet	XZN3196	XZN3197	XZN3196	XZN3197
NSP	33	PCB Holder	Not used	Not used	PNW2174	PNW2174
	41	Screw	BBZ30P080FTB	BBZ30P080FNI	BBZ30P080FTB	BBZ30P080FNI

9.3 REAR PANEL SECTION

A

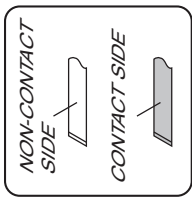
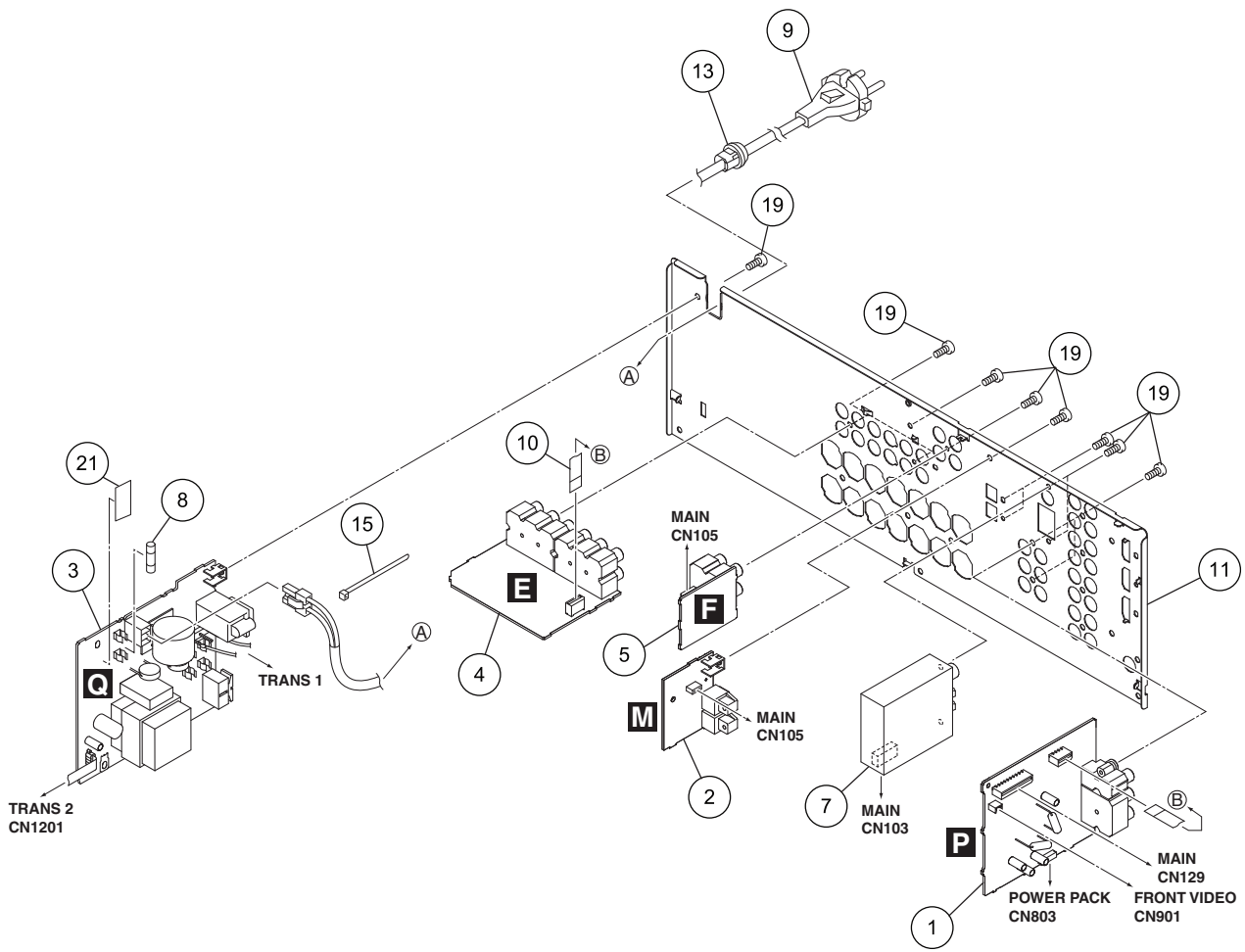
B

C

D

E

F



(1) REAR PANEL SECTION PARTS LIST

<u>Mark No.</u>	<u>Description</u>	<u>Part No.</u>	<u>Mark No.</u>	<u>Description</u>	<u>Part No.</u>
1	VIDEO Assy	See Contrast table (2)	16	•••••	
2	DIGITAL INPUT Assy	XWZ4299	17	•••••	
3	PRIMARY Assy	XWZ4302	18	Screw	BBZ30P080FNI
4	COMPONENT VIDEO Assy	XWZ4339	19	Screw	BBZ30P080FTB
5	5.1CH INPUT Assy	XWZ4341	20	Screw	PMZ30P060FCC
6	•••••		NSP 21	Fuse Card	AAX7493
7	FM/AM TUNER Unit	AXX7170			
⚠ 8	Fuse (FU1: T3.15 A)	REK1027			
⚠ 9	AC Power Cord	VDG1080			
10	7P Flexible Cable (J1913)	XDD3254			
11	R Panel	See Contrast table (2)			
12	•••••				
13	Cord Stopper	CM-22B			
14	•••••				
NSP 15	Binder (BK-1)	ZCA-BK1			

(2) CONTRAST TABLE

VSX-918V-K/MYSXJ5, VSX-918V-S/MYSXJ5, VSX-818V-K/MYSXJ5 and VSX-818V-S/MYSXJ5 are constructed the same except for the following:

Mark	No.	Symbol and Description	VSX-918V-K/ MYSXJ5	VSX-918V-S/ MYSXJ5	VSX-818V-K/ MYSXJ5	VSX-818V-S/ MYSXJ5
	1	VIDEO Assy	XWZ4294	XWZ4294	XWZ4292	XWZ4292
	11	R Panel	XNC3539	XNC3540	XNC3548	XNC3549

9.4 FRONT PANEL SECTION

A

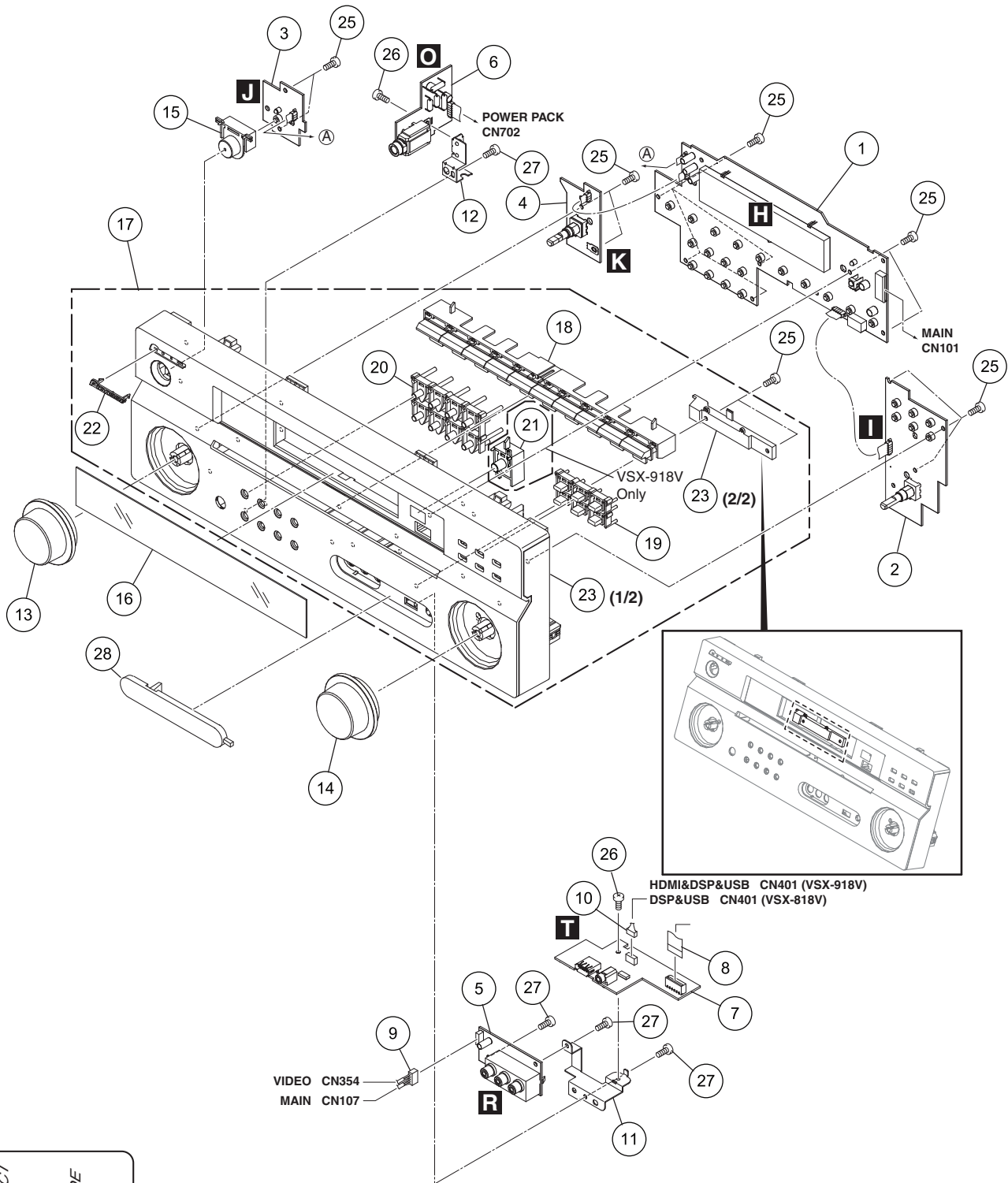
B

C

D

E

F



(1) FRONT PANEL SECTION PARTS LIST

<u>Mark No.</u>	<u>Description</u>	<u>Part No.</u>	<u>Mark No.</u>	<u>Description</u>	<u>Part No.</u>
1	FRONT DISPLAY Assy	See Contrast table (2)	16	D Panel	See Contrast table (2)
2	ROTARY ENCODER Assy	XWZ4286	NSP 17	F Panel Assy	See Contrast table (2)
3	POWER KEY Assy	See Contrast table (2)	18	FUNC BTN	See Contrast table (2)
4	JOG Assy	XWZ4289	19	SUB BTN	See Contrast table (2)
5	FRONT VIDEO Assy	XWZ4300	20	TUNER BTN	See Contrast table (2)
6	HEADPHONE Assy	XWZ4321	21	C Lens V3	See Contrast table (2)
7	FRONT IN Assy	XWK3366	22	Pioneer Name Plate	See Contrast table (2)
8	9P Flexible Cable (J1906)	XDD3247	23	FRT Panel	See Contrast table (2)
9	5P Shield Cable (J1904)	XDX3054	24	•••••	
10	4P Shield Cable (J1902)	XDX3063	25	Screw	BBZ30P080FTC
11	Earth Plate FR V3	XNG3144	26	Screw	BBZ30P080FNI
NSP 12	HP GND Plate	XNG3178	27	Screw	BPZ30P080FTC
13	VOL Knob V4	See Contrast table (2)	28	Inp. Cover	See Contrast table (2)
14	VOL Knob V5	See Contrast table (2)			
15	STANDBY BTN Assy	See Contrast table (2)			

(2) CONTRAST TABLE

VSX-918V-K/MYSXJ5, VSX-918V-S/MYSXJ5, VSX-818V-K/MYSXJ5 and VSX-818V-S/MYSXJ5 are constructed the same except for the following:

Mark	No.	Symbol and Description	VSX-918V-K/ MYSXJ5	VSX-918V-S/ MYSXJ5	VSX-818V-K/ MYSXJ5	VSX-818V-S/ MYSXJ5
NSP	1	FRONT DISPLAY Assy	XWZ4285	XWZ4285	XWZ4284	XWZ4284
	3	POWER KEY Assy	XWZ4288	XWZ4288	XWZ4287	XWZ4287
	13	VOL Knob V4	XAB3053	XAB3056	XAB3053	XAB3056
	14	VOL Knob V5	XAB3058	XAB3059	XAB3058	XAB3059
	15	STANDBY BTN Assy	XAD3216	XAD3217	Not used	Not used
	15	STANDBY BTN	Not used	Not used	XAD3202	XAD3208
	16	D Panel	XAK3593	XAK3593	XAK3594	XAK3594
	17	F Panel Assy	XXG3344	XXG3345	XXG3353	XXG3354
	18	FUNC BTN	XAD3257	XAD3258	XAD3257	XAD3258
	19	SUB BTN	XAD3259	XAD3260	XAD3259	XAD3260
	20	TUNER BTN	XAD3261	XAD3262	XAD3261	XAD3262
	21	C Lens V3	XAK3534	XAK3534	Not used	Not used
	22	Pioneer Name Plate	XAM3006	VAM1129	XAM3006	VAM1129
	23	FRT Panel	XMB3293	XMB3294	XMB3302	XMB3303
	28	Inp. Cover	XAK3596	XAK3597	XAK3596	XAK3598