

Internal Use Only

Website: <http://biz.lgservice.com>



ROBOTIC CLEANER **SERVICE MANUAL**

MODEL : VR5901LVM / VR5902LVM /
VR5902LV / VR5906LM / VR1027R

CAUTION
BEFORE SERVICING THE UNIT, READ THE
“SAFETY PRECAUTIONS” IN THIS MANUAL.



P/No.: MFL66305801

July, 2010
Printed in Korea

SPECIFICATIONS

■ Main Body

Product	Robotic Cleaner
Model	VR5901LVM/VR5902LVM
Battery	LiPB , DC 16.8V
Consumption Power	18W
Charging time	Under 3 hours
Cleaning time	about 75 min.
Velocity	35 cm/s(Max.)
Cleaning Modes	Cell by Cell /Zigzag/Spot
Weight	3 Kg
Size(Dia. x Height)	ø360 x 90
Accessory	Home Station /Remote Control /Filter / Mop
Functions	Obstacle Detection / Cliff Detection / Timer Voice Alram / Auto charging / Mop Cleaning

■ Home Station

Model	VR591
Size(WxLxH)	204 x 158x 125
Input	AC 110V-240V, 50Hz/60Hz
Consumption Power	23W
Output	DC 17.1 / 1.1A

■ Remote Control

Model	AKB66476105(Black)
Battery	D C 3 V (A A A, 2ea)
Type	Infrared(38kHz)
Operating Range	5 m
Size(WxLxH)	45 x115 x 22

PARTS SPECIFICATIONS

■ Suction Motor

Maker: STANDARD

ITEMS	CONDITIONS	SPECIFICATIONS
1.0 STANDARD OPERATING CONDITION		
1.1 RATED VOLTAGE	DC constant power supply between motor terminal	12.0 V
1.2 OPERATING VOLTAGE RANGE		8.0 V ~ 24.0 V
1.3 RATED LOAD	Pulley load	5.0 mN.m \div 51 gf.cm
1.4 DIRECTION OF ROTATION	View point: Shaft output direction	CCW & CW
1.5 OPERATING TEMP, HUMID, RANGE		-10 °C ~ 75 °C 5 %RH ~ 95 %RH
1.6 STORAGE TEMP, HUMID, RANGE		-10 °C ~ 75 °C 5 %RH ~ 95 %RH
2.0 TESTING CONDITION		
2.1 POWER SUPPLY		DC onstant power supply
2.2 MOTOR MOUNTING POSOTION		Shaft output side wl any direction
2.3 TEMPERATURE/HUMIDITY		10 °C ~ 30 °C 30 %RH ~ 95 %RH Refer to JIS standard (20 °C \pm 2 °C, 65% \pm 5%) in case of problems
2.4 DIRECTION OF ROTATION	View point: Shaft output direction	CCW
3.0 ELECTRICAL CHARACTERISTICS	General	
3.1 NO LOAD CURRENT	30~60 sec run-in period before measurement taken	200 mA (max.)
3.2 NO LOAD SPEED		9600 rpm \pm 10% rpm
3.3 RATED LOAD CURRENT		800 mA (max.)
3.4 RATED LOAD SPEED		8500 rpm \pm 10% rpm
3.5 STALL CURRENT	Based on measurement at two different load (7.35mN.m & 21mN.m)	6.0 A (max.)
3.6 STALL TORQUE		35.0 mN.m (min.)
3.7 INSULATION RESISTANCE	Applied between motor housing and terminal without failure	10 M Ω 500 VDC 1 minute
3.8 DIELECTRIC STRENGTH	Between motor terminal and motor metal housing	10 mA 250 VAC 1 second
3.9 PERFORMANCE CURVE		RS385-ST-2265

PARTS SPECIFICATIONS

■ Agitator Motor

Maker: STANDARD

ITEMS	CONDITIONS	SPECIFICATIONS
1.0 STANDARD OPERATING CONDITION		
1.1 RATED VOLTAGE	DC constant power supply between motor terminal	12.0 V
1.2 OPERATING VOLTAGE RANGE		8.0 V ~ 24.0 V
1.3 RATED LOAD	Pulley load	4.0 mN.m \div 40.8 gf.cm
1.4 DIRECTION OF ROTATION	View point: Shaft output direction	CCW & CW
1.5 OPERATING TEMP, HUMID, RANGE		-10 °C ~ 75 °C 5 %RH ~ 95 %RH
1.6 STORAGE TEMP, HUMID, RANGE		-10 °C ~ 75 °C 5 %RH ~ 95 %RH
2.0 TESTING CONDITION		
2.1 POWER SUPPLY		DC onstant power supply
2.2 MOTOR MOUNTING POSOTION		Shaft output side wl any direction
2.3 TEMPERATURE/HUMIDITY		10 °C ~ 30 °C 30 %RH ~ 95 %RH Refer to JIS standard (20 °C \pm 2 °C, 65% \pm 5%) in case of problems
2.4 DIRECTION OF ROTATION	View point: Shaft output direction	CCW
3.0 ELECTRICAL CHARACTERISTICS	General	
3.1 NO LOAD CURRENT	30~60 sec run-in period before measurement taken	70 mA (max.)
3.2 NO LOAD SPEED		3700 rpm \pm 15% rpm
3.3 RATED LOAD CURRENT		270 mA (max.)
3.4 RATED LOAD SPEED		3100 rpm \pm 15% rpm
3.5 STALL CURRENT	Based on measurement at two different load (7.35mN.m & 21mN.m)	1.5 A (max.)
3.6 STALL TORQUE		35.0 mN.m (min.)
3.7 INSULATION RESISTANCE	Applied between motor housing and terminal without failure	10 M Ω 500 VDC 1 minute
3.8 DIELECTRIC STRENGTH	Between motor terminal and motor metal housing	AC 500V 2.0 mA for one minute or AC 600V 2.0 mA for one second
3.9 PERFORMANCE CURVE		RS395-ST-15130

PARTS SPECIFICATIONS

■ Wheel Motor

Maker: STANDARD

ITEMS	CONDITIONS	SPECIFICATIONS
1.0 STANDARD OPERATING CONDITION		
1.1 RATED VOLTAGE	DC constant power supply between motor terminal	15.0 V
1.2 OPERATING VOLTAGE RANGE		8.0 V ~ 24.0 V
1.3 RATED LOAD	Pulley load	4.0 mN.m \div 40.8 gf.cm
1.4 DIRECTION OF ROTATION	View point: Shaft output direction	CCW & CW
1.5 OPERATING TEMP, HUMID, RANGE		-10 °C ~ 75 °C 5 %RH ~ 95 %RH
1.6 STORAGE TEMP, HUMID, RANGE		-10 °C ~ 75 °C 5 %RH ~ 95 %RH
2.0 TESTING CONDITION		
2.1 POWER SUPPLY		DC onstant power supply
2.2 MOTOR MOUNTING POSOTION		Shaft output side wl any direction
2.3 TEMPERATURE/HUMIDITY		10 °C ~ 30 °C 30 %RH ~ 95 %RH Refer to JIS standard (20 °C \pm 2 °C, 65% \pm 5%) in case of problems
2.4 DIRECTION OF ROTATION	View point: Shaft output direction	CW
3.0 ELECTRICAL CHARACTERISTICS	General	
3.1 NO LOAD CURRENT	30~60 sec run-in period before measurement taken	70 mA (max.)
3.2 NO LOAD SPEED		4500 rpm \pm 10% rpm
3.3 RATED LOAD CURRENT		270 mA (max.)
3.4 RATED LOAD SPEED		8500 rpm \pm 10% rpm
3.5 STALL CURRENT	Based on measurement at two different load (7.35mN.m & 21mN.m)	2.0 A (max.)
3.6 STALL TORQUE		28.0 mN.m (min.)
3.7 INSULATION RESISTANCE	Applied between motor housing and terminal without failure	10 M Ω 500 VDC 1 minute
3.8 DIELECTRIC STRENGTH	Between motor terminal and motor metal housing	AC 500V 2.0 mA for one minute or AC 600V 2.0 mA for one second
3.9 PERFORMANCE CURVE		RS385-ST-15150

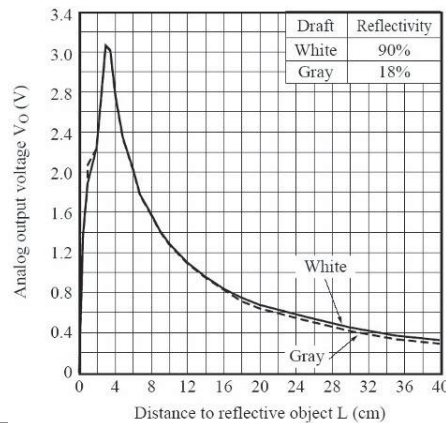
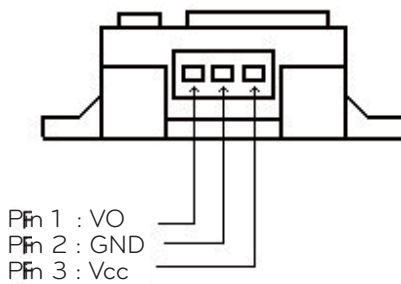
PARTS SPECIFICATIONS

■ IR Sensor

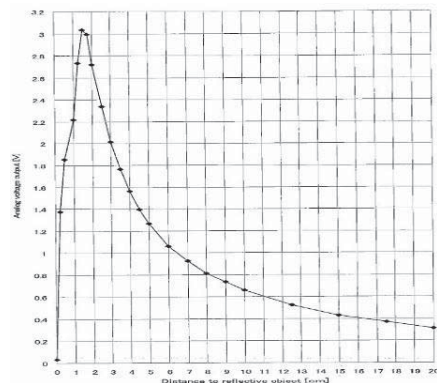
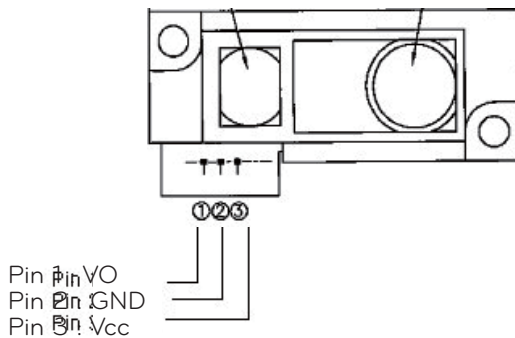
Maker: SHARP

Model	GP2Y041SK0F
Operating Voltage	DC 4.5V ~ 5.5V
Detection Range	4 ~ 30 cm
Output Voltage(L=30)	Min = 0.25 / Typ = 0.4 / Max = 0.55 (V)
Delta (Vmax.-Vmin.)	Min = 1.95 / Typ = 2.25 / Max = 2.55 (V)
Average Current	Typ = 12 / Max = 22 (mA)

4 Analog Output Voltage vs. Distance to Reflective Object



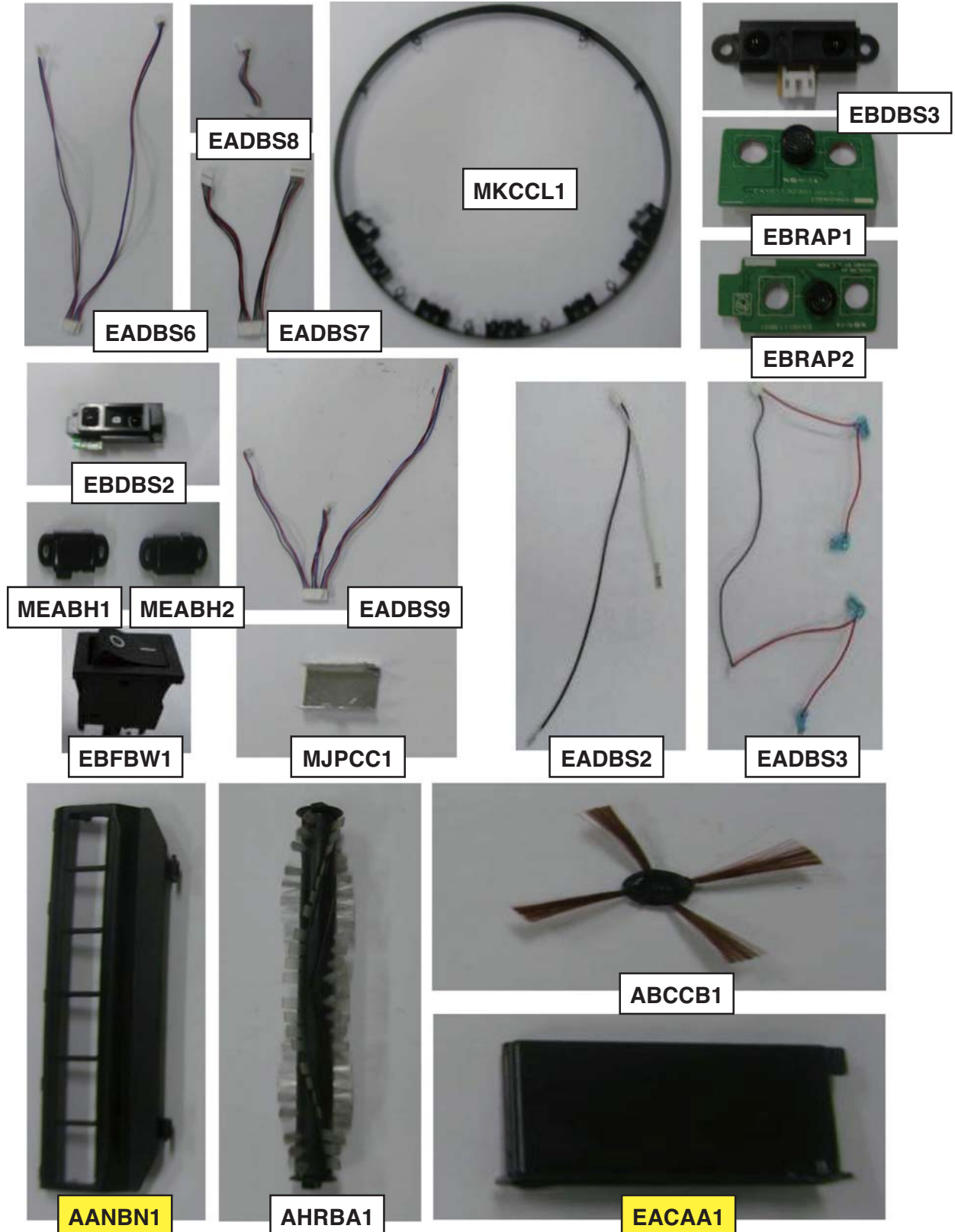
Model	GP2Y051SK0F
Operating Voltage	DC 4.5V ~ 5.5V
Detection Range	2 ~ 15 cm
Output Voltage(L=30)	Min = 0.25 / Typ = 0.4 / Max = 0.55 (V)
Delta (Vmax.-Vmin.)	Min = 1.95 / Typ = 2.25 / Max = 2.55 (V)
Average Current	Typ = 12 / Max = 22 (mA)



REPLACEMENT PARTS LIST



REPLACEMENT PARTS LIST



REPLACEMENT PARTS LIST



AHJBR1



AHJBR2



MCKBI



MHJBS1



FACBP1



MEBF1



MCDBA1



MDBC1



MBDBU

REPLACEMENT PARTS LIST



MCKCT



MCKCI



MCKBD1



MCKAD1

MKCAG



MWCR2



EBDCS1

REPLACEMENT PARTS LIST



MEGF3



EBDCS2



EADCS3



EBRAP4



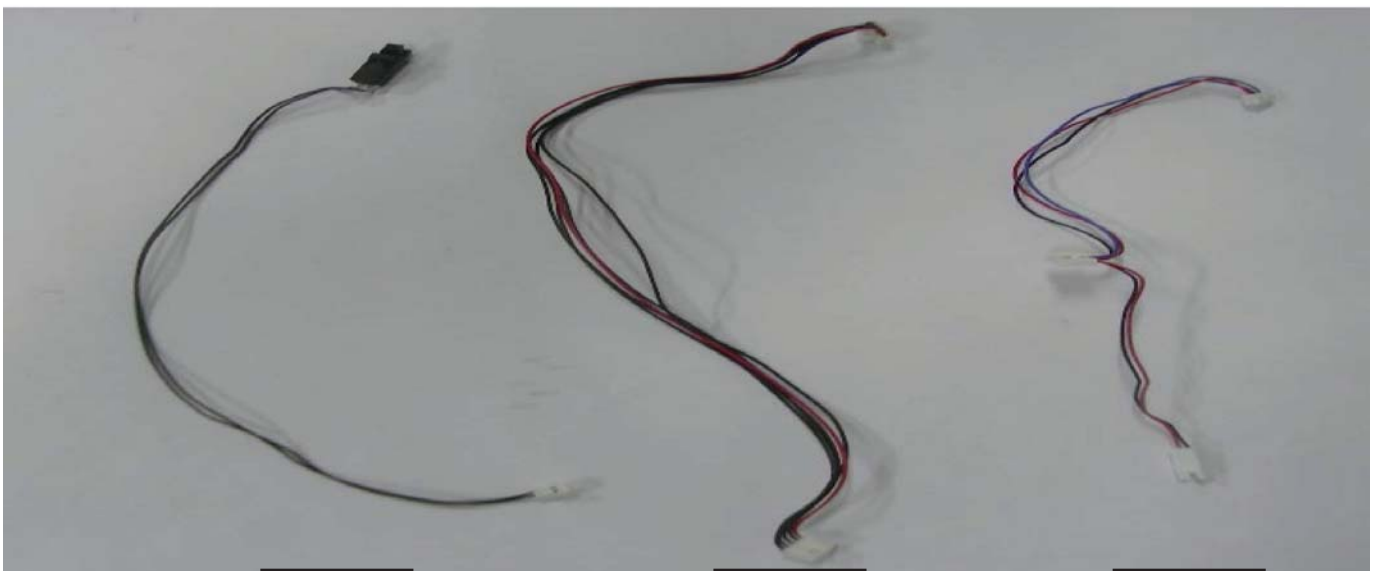
MEGS1



MHCA1



MHCA2



AFKCL1

EADCS2

EADCS1

REPLACEMENT PARTS LIST



EAX C1



EBRCA1



MKCCL2



EADCS5



EBRCC1



EADCS4



MHBC2



MJPCC2



MJBP1

REPLACEMENT PARTS LIST



M0CC1



MDQF1



MCK01



AJLD2



MSJBE3



ABCAF1



MF0M1



ADW1



AKBAR1



ABAM1



MFL0



MA0

REPLACEMENT PARTS LIST

■ VR5901LVM(VR5901LVM.ABKQLGE)

LOC. NO.	PART NO.	DESCRIPTION	SVC	REMARK
AANBN1	AAN73469101	Base Assembly, Nozzle	R	
ABCFA1	5203FI3754A	Brush Assembly, Filter	R	
ABCCB1	ABC72909401	Brush Assembly	R	
ADVTF1	ADV72968401	Frame Assembly, Filter	R	
AFKCL1	AFK72909201	Locker Assembly	R	
AGBAM1	AGB72911303	Nozzle Assembly, Mop	R	
AHJBR1	AHJ72909401	Roller Assembly	R	
AHJBR2	AHJ72909402	Roller Assembly	R	
AHRBA1	AHR72909401	Shaft Assembly, Agitator	R	
AJLTD2	AJL73011902	Tank Assembly, Dust	R	
AJWBA1	AJW72909701	Wheel Assembly	R	
AJWBA1	AJW72909701	Wheel Assembly	R	
AKBAR1	AKB66476105	Remote Controller Assembly	R	
EABCS1	6401FI1001D	Speaker, Full Range	R	
EACAA1	EAC60766102	Rechargeable Battery, Lithium	R	
EADBS2	EAD60809901	Harness, Single	R	
EADBS3	EAD60842001	Harness, Single	R	
EADBS4	EAD60811501	Harness, Single	R	
EADBS5	EAD60810001	Harness, Single	R	
EADBS6	EAD60810401	Harness, Single	R	
EADBS7	EAD60810301	Harness, Single	R	
EADBS8	EAD60810201	Harness, Single	R	
EADBS9	EAD60809701	Harness, Single	R	
EADCS1	EAD60812901	Harness, Single	R	
EADCS2	EAD60813001	Harness, Single	R	
EADCS3	EAD60813101	Harness, Single	R	
EADCS4	EAD60813301	Harness, Single	R	
EADCS5	EAD60813201	Harness, Single	R	
EADCS6	EAD60842101	Harness, Single	R	
EADCS6	EAD60842101	Harness, Single	R	
EAUBA1	EAU60695601	Motor Assembly, DC	R	
EAUBA2	EAU60696201	Motor Assembly, DC, Fan	R	
EAYAC1	EAY60751903	Charger, Battery	R	
EBDBS1	EBD60662501	Sensor Assembly	R	
EBDBS2	EBD60661401	Sensor Assembly	R	
EBDBS3	6501FI3002C	Sensor Assembly	R	
EBDCS1	EBD60663102	Sensor Assembly	R	
EBDCS2	EBD60662601	Sensor Assembly	R	
EBFBW1	EBF60755202	Switch, Rocker	R	
EBRCC1	EBR62994402	PCB Assembly, Power	R	
EBRCA1	EBR62993101	PCB Assembly, Sub	R	
EBRAP2	EBR62993001	PCB Assembly, Sub	R	
EBRAP3	EBR62994201	PCB Assembly, Sub	R	
EBRAP4	EBR62994001	PCB Assembly, Sub	R	
EBRAP5	EBR62995001	PCB Assembly, Sub	R	
EBRBM1	EBR62979903	PCB Assembly, Main	R	
FACBP1	1PZZFI3002A	Pin, Common	R	
MAMBB1	MAM61850301	Base, Body	R	
MASBB1	4400FI3355B	Belt	R	

R : SERVICE PARTS

REPLACEMENT PARTS LIST

LOC. NO.	PART NO.	DESCRIPTION	SVC	REMARK
MAY000	MAY64321601	Box	R	
MBDBU1	MBD61883801	Bumper, Body	R	
MCDBA1	MCD61842801	Connector,Pin	R	
MCKAD1	MKC62000703	Window,Display	R	
MCKBD1	ACW72936107	Decor Assembly	R	
MCKBW1	MCK62265403	Cover,Wheel	R	
MCKBW2	MCK62265503	Cover,Wheel	R	
MCKCI1	MCK62265704	Cover,Inner	R	
MCKCT1	MCK62266212	Cover,Top	R	
MCKOA1	MCK63607801	Cover,Dust	R	
MDQBC1	MDQ61887101	Frame,Caster	R	
MDQBF1	MDQ61886901	Frame,Filter	R	
MDQCF1	MDQ61887001	Frame,Filter	R	
MDSBA1	MDS61952901	Gasket	R	
MDTTA1	MDT62027102	Gear	R	
MDTTA2	MDT62027101	Gear	R	
MDTTA3	MDT61844601	Gear	R	
MDTTA4	MDT61844701	Gear	R	
MDTTA5	MDT61844801	Gear	R	
MDTTA6	MDT61843901	Gear	R	
MEABA1	MEA61865501	Guide,Air	R	
MEABH1	MEG61882301	Holder,Fixing	R	
MEABH2	MEG61875601	Holder,Fixing	R	
MEGBF1	MEG61879701	Holder,Fixing	R	
MEGCF3	MEG61879501	Holder,Fixing	R	
MEGCS1	MEG61876201	Holder,Sensor	R	
MFL552	3828FI3868P	Manual,Owners	R	
MFQAM1	MFQ61841301	Mop	R	
MGJCC1	MGJ61912101	Plate,Cover	R	
MGWCR2	MGW61845701	Reflector	R	
MHJBS1	MHJ61848501	Shaft	R	
MHYBC1	4970FI3224Q	Spring,Coil	R	
MHYBC1	4970FI3224Q	Spring,Coil	R	
MHYBC2	4970FI3224P	Spring,Coil	R	
MHYCA1	MHY61869601	Spring	R	
MHYCA2	MHY61869602	Spring	R	
MJGBP1	MGJ61912201	Plate,Guide	R	
MJPCC1	MJP61844601	Terminal,Contact	R	
MJPCC2	MJP61844901	Terminal,Contact	R	
MKCAG1	MKC62038701	Window,Glass	R	
MKCCL1	MKC62155602	Window,LED	R	
MKCCL2	MKC62000901	Window,LED	R	
MSJBE1	MDJ61935401	Filter,Exhaust	R	
MSJBE2	MDJ61935402	Filter,Exhaust	R	
MSJBE3	MDJ62305401	Filter,Exhaust	R	

R : SERVICE PARTS

REPLACEMENT PARTS LIST

■ VR5902LVM(VR5902LVM.AAEQGPA)

LOC. NO.	PART NO.	DESCRIPTION	SVC	REMARK
AANBN1	AAN73469101	Base Assembly, Nozzle	R	
ABCFA1	5203FI3754A	Brush Assembly, Filter	R	
ADVTF1	ADV72968401	Frame Assembly, Filter	R	
AFKCL1	AFK72909201	Locker Assembly	R	
AGBAM1	AGB72911306	Nozzle Assembly, Mop	R	
AHJBR1	AHJ72909401	Roller Assembly	R	
AHJBR2	AHJ72909402	Roller Assembly	R	
AHRBA1	AHR72909401	Shaft Assembly, Agitator	R	
AJLTD2	AJL73011902	Tank Assembly, Dust	R	
AJWBA1	AJW72909701	Wheel Assembly	R	
AJWBA1	AJW72909701	Wheel Assembly	R	
AKBAR1	AKB66476105	Remote Controller Assembly	R	
EABCS1	6401FI1001D	Speaker, Full Range	R	
EACAA1	EAC60766102	Rechargeable Battery, Lithium	R	
EADBS2	EAD60809901	Harness, Single	R	
EADBS3	EAD60842001	Harness, Single	R	
EADBS4	EAD60811501	Harness, Single	R	
EADBS5	EAD60810001	Harness, Single	R	
EADBS6	EAD60810401	Harness, Single	R	
EADBS7	EAD60810301	Harness, Single	R	
EADBS8	EAD60810201	Harness, Single	R	
EADBS9	EAD60809701	Harness, Single	R	
EADCS1	EAD60812901	Harness, Single	R	
EADCS2	EAD60813001	Harness, Single	R	
EADCS3	EAD60813101	Harness, Single	R	
EADCS4	EAD60813301	Harness, Single	R	
EADCS5	EAD60813201	Harness, Single	R	
EADCS6	EAD60842101	Harness, Single	R	
EADCS6	EAD60842101	Harness, Single	R	
EAUBA1	EAU60695601	Motor Assembly, DC	R	
EAUBA2	EAU60696201	Motor Assembly, DC, Fan	R	
EBDBS1	EBD60662501	Sensor Assembly	R	
EBDBS2	EBD60661401	Sensor Assembly	R	
EBDBS3	6501FI3002C	Sensor Assembly	R	
EBDCS1	EBD60663102	Sensor Assembly	R	
EBDCS2	EBD60662601	Sensor Assembly	R	
EBFBW1	EBF60755202	Switch, Rocker	R	
EBRCC1	EBR62994402	PCB Assembly, Power	R	
EBRCA1	EBR62993101	PCB Assembly, Sub	R	
EBRAP2	EBR62993001	PCB Assembly, Sub	R	
EBRAP3	EBR62994201	PCB Assembly, Sub	R	
EBRAP4	EBR62994001	PCB Assembly, Sub	R	
EBRAP5	EBR62995001	PCB Assembly, Sub	R	
EBRBM1	EBR62979904	PCB Assembly, Main	R	
FACBP1	1PZZFI3002A	Pin, Common	R	
MAMBB1	MAM61850301	Base, Body	R	
MASBB1	4400FI3355B	Belt	R	
MAY000	MAY64321601	Box	R	
MBDBU1	MBD61883801	Bumper, Body	R	

R : SERVICE PARTS

REPLACEMENT PARTS LIST

LOC. NO.	PART NO.	DESCRIPTION	SVC	REMARK
MCDBA1	MCD61842801	Connector,Pin	R	
MCKAD1	MKC62000703	Window,Display	R	
MCKBD1	ACW72936106	Decor Assembly	R	
MCKBW1	MCK62265403	Cover,Wheel	R	
MCKBW2	MCK62265503	Cover,Wheel	R	
MCKCI1	MCK62265704	Cover,Inner	R	
MCKCT1	MCK62266211	Cover,Top	R	
MCKOA1	MCK63607801	Cover,Dust	R	
MDQBC1	MDQ61887101	Frame,Caster	R	
MDQBF1	MDQ61886901	Frame,Filter	R	
MDQCF1	MDQ61887001	Frame,Filter	R	
MDSBA1	MDS61952901	Gasket	R	
MDTTA1	MDT62027102	Gear	R	
MDTTA2	MDT62027101	Gear	R	
MDTTA3	MDT61844601	Gear	R	
MDTTA4	MDT61844701	Gear	R	
MDTTA5	MDT61844801	Gear	R	
MDTTA6	MDT61843901	Gear	R	
MEABA1	MEA61865501	Guide,Air	R	
MEABH1	MEG61882301	Holder,Fixing	R	
MEABH2	MEG61875601	Holder,Fixing	R	
MEGBF1	MEG61879701	Holder,Fixing	R	
MEGCF3	MEG61879501	Holder,Fixing	R	
MEGCS1	MEG61876201	Holder,Sensor	R	
MFL552	3828FI3868Q	Manual,Owners	R	
MFQAM1	MFQ61841301	Mop	R	
MGJCC1	MGJ61912101	Plate,Cover	R	
MGWCR2	MGW61845701	Reflector	R	
MHJBS1	MHJ61848501	Shaft	R	
MHYBC1	4970FI3224Q	Spring,Coil	R	
MHYBC1	4970FI3224Q	Spring,Coil	R	
MHYBC2	4970FI3224P	Spring,Coil	R	
MHYCA1	MHY61869601	Spring	R	
MHYCA2	MHY61869602	Spring	R	
MJGBP1	MGJ61912201	Plate,Guide	R	
MJPCC1	MJP61844601	Terminal,Contact	R	
MJPCC2	MJP61844901	Terminal,Contact	R	
MKCAG1	MKC62038701	Window,Glass	R	
MKCCL1	MKC62155602	Window,LED	R	
MKCCL2	MKC62000901	Window,LED	R	
MSJBE1	MDJ61935401	Filter,Exhaust	R	
MSJBE2	MDJ61935402	Filter,Exhaust	R	
MSJBE3	MDJ62305401	Filter,Exhaust	R	
WTP003	1TPL0302416	Screw,Tapping	R	

R : SERVICE PARTS

REPLACEMENT PARTS LIST

■ VR5902LVM(VR5902LVM.AAEQGSF)

LOC. NO.	PART NO.	DESCRIPTION	SVC	REMARK
AANBN1	AAN73469101	Base Assembly, Nozzle	R	
ABCFA1	5203FI3754A	Brush Assembly, Filter	R	
ADVTF1	ADV72968401	Frame Assembly, Filter	R	
AFKCL1	AFK72909201	Locker Assembly	R	
AGBAM1	AGB72911304	Nozzle Assembly, Mop	R	
AHJBR1	AHJ72909401	Roller Assembly	R	
AHJBR2	AHJ72909402	Roller Assembly	R	
AHRBA1	AHR72909401	Shaft Assembly, Agitator	R	
AJLTD2	AJL73011902	Tank Assembly, Dust	R	
AJWBA1	AJW72909701	Wheel Assembly	R	
AJWBA1	AJW72909701	Wheel Assembly	R	
AKBAR1	AKB66476105	Remote Controller Assembly	R	
EABCS1	6401FI1001D	Speaker, Full Range	R	
EACAA1	EAC60766102	Rechargeable Battery, Lithium	R	
EADBS2	EAD60809901	Harness, Single	R	
EADBS3	EAD60842001	Harness, Single	R	
EADBS4	EAD60811501	Harness, Single	R	
EADBS5	EAD60810001	Harness, Single	R	
EADBS6	EAD60810401	Harness, Single	R	
EADBS7	EAD60810301	Harness, Single	R	
EADBS8	EAD60810201	Harness, Single	R	
EADBS9	EAD60809701	Harness, Single	R	
EADCS1	EAD60812901	Harness, Single	R	
EADCS2	EAD60813001	Harness, Single	R	
EADCS3	EAD60813101	Harness, Single	R	
EADCS4	EAD60813301	Harness, Single	R	
EADCS5	EAD60813201	Harness, Single	R	
EADCS6	EAD60842101	Harness, Single	R	
EADCS6	EAD60842101	Harness, Single	R	
EAUBA1	EAU60695601	Motor Assembly, DC	R	
EAUBA2	EAU60696201	Motor Assembly, DC, Fan	R	
EBDBS1	EBD60662501	Sensor Assembly	R	
EBDBS2	EBD60661401	Sensor Assembly	R	
EBDBS3	6501FI3002C	Sensor Assembly	R	
EBDCS1	EBD60663102	Sensor Assembly	R	
EBDCS2	EBD60662601	Sensor Assembly	R	
EBFBW1	EBF60755202	Switch, Rocker	R	
EBRCC1	EBR62994402	PCB Assembly, Power	R	
EBRCA1	EBR62993101	PCB Assembly, Sub	R	
EBRAP2	EBR62993001	PCB Assembly, Sub	R	
EBRAP3	EBR62994201	PCB Assembly, Sub	R	
EBRAP4	EBR62994001	PCB Assembly, Sub	R	
EBRAP5	EBR62995001	PCB Assembly, Sub	R	
EBRBM1	EBR62979905	PCB Assembly, Main	R	
FACBP1	1PZZFI3002A	Pin, Common	R	
MAMBB1	MAM61850301	Base, Body	R	
MASBB1	4400FI3355B	Belt	R	
MAY000	MAY64321601	Box	R	
MBDBU1	MBD61883801	Bumper, Body	R	

R : SERVICE PARTS

REPLACEMENT PARTS LIST

LOC. NO.	PART NO.	DESCRIPTION	SVC	REMARK
MCDBA1	MCD61842801	Connector,Pin	R	
MCKAD1	MKC62000703	Window,Display	R	
MCKBD1	ACW72936106	Decor Assembly	R	
MCKBW1	MCK62265403	Cover,Wheel	R	
MCKBW2	MCK62265503	Cover,Wheel	R	
MCKCI1	MCK62265704	Cover,Inner	R	
MCKCT1	MCK62266211	Cover,Top	R	
MCKOA1	MCK63607801	Cover,Dust	R	
MDQBC1	MDQ61887101	Frame,Caster	R	
MDQBF1	MDQ61886901	Frame,Filter	R	
MDQCF1	MDQ61887001	Frame,Filter	R	
MDSBA1	MDS61952901	Gasket	R	
MDTTA1	MDT62027102	Gear	R	
MDTTA2	MDT62027101	Gear	R	
MDTTA3	MDT61844601	Gear	R	
MDTTA4	MDT61844701	Gear	R	
MDTTA5	MDT61844801	Gear	R	
MDTTA6	MDT61843901	Gear	R	
MEABA1	MEA61865501	Guide,Air	R	
MEABH1	MEG61882301	Holder,Fixing	R	
MEABH2	MEG61875601	Holder,Fixing	R	
MEGBF1	MEG61879701	Holder,Fixing	R	
MEGCF3	MEG61879501	Holder,Fixing	R	
MEGCS1	MEG61876201	Holder,Sensor	R	
MFL552	3828FI3868R	Manual,Owners	R	
MFQAM1	MFQ61841301	Mop	R	
MGJCC1	MGJ61912101	Plate,Cover	R	
MGWCR2	MGW61845701	Reflector	R	
MHJBS1	MHJ61848501	Shaft	R	
MHYBC1	4970FI3224Q	Spring,Coil	R	
MHYBC1	4970FI3224Q	Spring,Coil	R	
MHYBC2	4970FI3224P	Spring,Coil	R	
MHYCA1	MHY61869601	Spring	R	
MHYCA2	MHY61869602	Spring	R	
MJGBP1	MGJ61912201	Plate,Guide	R	
MJPCC1	MJP61844601	Terminal,Contact	R	
MJPCC2	MJP61844901	Terminal,Contact	R	
MKCAG1	MKC62038701	Window,Glass	R	
MKCCL1	MKC62155602	Window,LED	R	
MKCCL2	MKC62000901	Window,LED	R	
MSJBE1	MDJ61935401	Filter,Exhaust	R	
MSJBE2	MDJ61935402	Filter,Exhaust	R	
MSJBE3	MDJ62305401	Filter,Exhaust	R	

R : SERVICE PARTS

REPLACEMENT PARTS LIST

■ VR5902LVM(VR5902LVM.AAEQLGE)

LOC. NO.	PART NO.	DESCRIPTION	SVC	REMARK
AANBN1	AAN73469101	Base Assembly, Nozzle	R	
ABCAF1	5203FI3754A	Brush Assembly, Filter	R	
ABCCB1	ABC72909401	Brush Assembly	R	
ADVTF1	ADV72968401	Frame Assembly, Filter	R	
AFKCL1	AFK72909201	Locker Assembly	R	
AGBAM1	AGB72911303	Nozzle Assembly, Mop	R	
AHJBR1	AHJ72909401	Roller Assembly	R	
AHJBR2	AHJ72909402	Roller Assembly	R	
AHRBA1	AHR72909401	Shaft Assembly, Agitator	R	
AJLTD2	AJL73011902	Tank Assembly, Dust	R	
AJWBA1	AJW72909701	Wheel Assembly	R	
AJWBA1	AJW72909701	Wheel Assembly	R	
AKBAR1	AKB66476105	Remote Controller Assembly	R	
EABCS1	6401FI1001D	Speaker, Full Range	R	
EACAA1	EAC60766102	Rechargeable Battery, Lithium	R	
EADBS2	EAD60809901	Harness, Single	R	
EADBS3	EAD60842001	Harness, Single	R	
EADBS4	EAD60811501	Harness, Single	R	
EADBS5	EAD60810001	Harness, Single	R	
EADBS6	EAD60810401	Harness, Single	R	
EADBS7	EAD60810301	Harness, Single	R	
EADBS8	EAD60810201	Harness, Single	R	
EADBS9	EAD60809701	Harness, Single	R	
EADCS1	EAD60812901	Harness, Single	R	
EADCS2	EAD60813001	Harness, Single	R	
EADCS3	EAD60813101	Harness, Single	R	
EADCS4	EAD60813301	Harness, Single	R	
EADCS5	EAD60813201	Harness, Single	R	
EADCS6	EAD60842101	Harness, Single	R	
EADCS6	EAD60842101	Harness, Single	R	
EAUBA1	EAU60695601	Motor Assembly, DC	R	
EAUBA2	EAU60696201	Motor Assembly, DC, Fan	R	
EAYAC1	EAY60751903	Charger, Battery	R	
EBDBS1	EBD60662501	Sensor Assembly	R	
EBDBS2	EBD60661401	Sensor Assembly	R	
EBDBS3	6501FI3002C	Sensor Assembly	R	
EBDCS1	EBD60663102	Sensor Assembly	R	
EBDCS2	EBD60662601	Sensor Assembly	R	
EBFBW1	EBF60755202	Switch, Rocker	R	
EBRCC1	EBR62994402	PCB Assembly, Power	R	
EBRCA1	EBR62993101	PCB Assembly, Sub	R	
EBRAP2	EBR62993001	PCB Assembly, Sub	R	
EBRAP3	EBR62994201	PCB Assembly, Sub	R	
EBRAP4	EBR62994001	PCB Assembly, Sub	R	
EBRAP5	EBR62995001	PCB Assembly, Sub	R	
EBRBM1	EBR62979903	PCB Assembly, Main	R	
FACBP1	1PZZFI3002A	Pin, Common	R	
MAMBB1	MAM61850301	Base, Body	R	
MASBB1	4400FI3355B	Belt	R	

R : SERVICE PARTS

REPLACEMENT PARTS LIST

LOC. NO.	PART NO.	DESCRIPTION	SVC	REMARK
MAY000	MAY64321601	Box	R	
MBDBU1	MBD61883801	Bumper, Body	R	
MCDBA1	MCD61842801	Connector,Pin	R	
MCKAD1	MKC62000703	Window,Display	R	
MCKBD1	ACW72936106	Decor Assembly	R	
MCKBW1	MCK62265403	Cover,Wheel	R	
MCKBW2	MCK62265503	Cover,Wheel	R	
MCKCI1	MCK62265704	Cover,Inner	R	
MCKCT1	MCK62266211	Cover,Top	R	
MCKOA1	MCK63607801	Cover,Dust	R	
MDQBC1	MDQ61887101	Frame,Caster	R	
MDQBF1	MDQ61886901	Frame,Filter	R	
MDQCF1	MDQ61887001	Frame,Filter	R	
MDSBA1	MDS61952901	Gasket	R	
MDTTA1	MDT62027102	Gear	R	
MDTTA2	MDT62027101	Gear	R	
MDTTA3	MDT61844601	Gear	R	
MDTTA4	MDT61844701	Gear	R	
MDTTA5	MDT61844801	Gear	R	
MDTTA6	MDT61843901	Gear	R	
MEABA1	MEA61865501	Guide,Air	R	
MEABH1	MEG61882301	Holder,Fixing	R	
MEABH2	MEG61875601	Holder,Fixing	R	
MEGBF1	MEG61879701	Holder,Fixing	R	
MEGCF3	MEG61879501	Holder,Fixing	R	
MEGCS1	MEG61876201	Holder,Sensor	R	
MFL552	3828FI3868P	Manual,Owners	R	
MFQAM1	MFQ61841301	Mop	R	
MGJCC1	MGJ61912101	Plate,Cover	R	
MGWCR2	MGW61845701	Reflector	R	
MHJBS1	MHJ61848501	Shaft	R	
MHYBC1	4970FI3224Q	Spring,Coil	R	
MHYBC1	4970FI3224Q	Spring,Coil	R	
MHYBC2	4970FI3224P	Spring,Coil	R	
MHYCA1	MHY61869601	Spring	R	
MHYCA2	MHY61869602	Spring	R	
MJGBP1	MGJ61912201	Plate,Guide	R	
MJPCC1	MJP61844601	Terminal,Contact	R	
MJPCC2	MJP61844901	Terminal,Contact	R	
MKCAG1	MKC62038701	Window,Glass	R	
MKCCL1	MKC62155602	Window,LED	R	
MKCCL2	MKC62000901	Window,LED	R	
MSJBE1	MDJ61935401	Filter,Exhaust	R	
MSJBE2	MDJ61935402	Filter,Exhaust	R	
MSJBE3	MDJ62305401	Filter,Exhaust	R	

R : SERVICE PARTS

REPLACEMENT PARTS LIST

■ VR5906LM(VR5906LM.ALNQGPA)

LOC. NO.	PART NO.	DESCRIPTION	SVC	REMARK
AANBN1	AAN72932002	Base Assembly, Nozzle	R	
ABCAF1	5203FI3754A	Brush Assembly, Filter	R	
ABCCB1	ABC72909401	Brush Assembly	R	
ADVTF1	ADV72968401	Frame Assembly, Filter	R	
AFKCL1	AFK72909201	Locker Assembly	R	
AGBAM1	AGB72911306	Nozzle Assembly, Mop	R	
AHRBA1	AHR72909401	Shaft Assembly, Agitator	R	
AJLTD2	AJL73011902	Tank Assembly, Dust	R	
AJWBA1	AJW72909701	Wheel Assembly	R	
AJWBA1	AJW72909701	Wheel Assembly	R	
AKBAR1	AKB66476106	Remote Controller Assembly	R	
EABCS1	6401FI1001D	Speaker, Full Range	R	
EACAA1	EAC60766101	Rechargeable Battery, Lithium	R	
EADBS2	EAD60809901	Harness, Single	R	
EADBS3	EAD60842001	Harness, Single	R	
EADBS4	EAD60811501	Harness, Single	R	
EADBS5	EAD60810001	Harness, Single	R	
EADBS6	EAD60810401	Harness, Single	R	
EADBS7	EAD60810302	Harness, Single	R	
EADBS8	EAD60810201	Harness, Single	R	
EADBS9	EAD60809701	Harness, Single	R	
EADCS1	EAD60812901	Harness, Single	R	
EADCS2	EAD60813001	Harness, Single	R	
EADCS3	EAD60813101	Harness, Single	R	
EADCS4	EAD60813301	Harness, Single	R	
EADCS5	EAD60813201	Harness, Single	R	
EADCS6	EAD60842101	Harness, Single	R	
EADCS6	EAD60842101	Harness, Single	R	
EAUBA1	EAU60695601	Motor Assembly, DC	R	
EAUBA2	EAU60696201	Motor Assembly, DC, Fan	R	
EAYAC1	EAY60751906	Charger, Battery	R	
EBDBS1	EBD60662501	Sensor Assembly	R	
EBDBS2	EBD60661401	Sensor Assembly	R	
EBDBS3	6501FI3002C	Sensor Assembly	R	
EBDCS2	EBD60662601	Sensor Assembly	R	
EBFBW1	EBF60755202	Switch, Rocker	R	
EBRCC1	EBR62994402	PCB Assembly, Power	R	
EBRCA1	EBR62993101	PCB Assembly, Sub	R	
EBRAP2	EBR62993001	PCB Assembly, Sub	R	
EBRAP3	EBR62994201	PCB Assembly, Sub	R	
EBRAP4	EBR62994001	PCB Assembly, Sub	R	
EBRAP5	EBR62995001	PCB Assembly, Sub	R	
EBRBM1	EBR62979906	PCB Assembly, Main	R	
EBRCD1	EBR62994101	PCB Assembly, Display	R	
MAMBB1	MAM61850302	Base, Body	R	
MASBB1	4400FI3355B	Belt	R	
MAY000	MAY64321601	Box	R	
MBDBU1	MBD61883801	Bumper, Body	R	
MCKBD1	ACW72936108	Decor Assembly	R	

R : SERVICE PARTS

REPLACEMENT PARTS LIST

LOC. NO.	PART NO.	DESCRIPTION	SVC	REMARK
MCKBW1	MCK62265403	Cover,Wheel	R	
MCKBW2	MCK62265503	Cover,Wheel	R	
MCKCI1	MCK62265705	Cover,Inner	R	
MCKCT1	MCK62266213	Cover,Top	R	
MCKOA1	MCK63607801	Cover,Dust	R	
MDQBF1	MDQ61886901	Frame,Filter	R	
MDQCF1	MDQ61887001	Frame,Filter	R	
MDSBA1	MDS61952901	Gasket	R	
MDTTA1	MDT62027101	Gear	R	
MDTTA2	MDT62027102	Gear	R	
MDTTA3	MDT61844601	Gear	R	
MDTTA4	MDT61844701	Gear	R	
MDTTA5	MDT61844801	Gear	R	
MDTTA6	MDT61843901	Gear	R	
MEABA1	MEA61865501	Guide,Air	R	
MEABH1	MEG61882301	Holder,Fixing	R	
MEABH2	MEG61875601	Holder,Fixing	R	
MEGBF1	MEG61879701	Holder,Fixing	R	
MEGCF3	MEG61879501	Holder,Fixing	R	
MEGCS1	MEG61876201	Holder,Sensor	R	
MFL552	3828FI3868T	Manual,Owners	R	
MFQAM1	MFQ61841301	Mop	R	
MGJCC1	MGJ61912101	Plate,Cover	R	
MGWCR1	MGW61844401	Reflector	R	
MHYBC1	4970FI3224Q	Spring,Coil	R	
MHYBC1	4970FI3224Q	Spring,Coil	R	
MHYBC2	4970FI3224P	Spring,Coil	R	
MHYCA1	MHY61869601	Spring	R	
MHYCA2	MHY61869602	Spring	R	
MJGBP1	MGJ61912201	Plate,Guide	R	
MJPCC1	MJP61844601	Terminal,Contact	R	
MJPCC2	MJP61844901	Terminal,Contact	R	
MKCCL1	MKC62155602	Window,LED	R	
MKCCL2	MKC62000901	Window,LED	R	
MSJBE1	MDJ61935401	Filter,Exhaust	R	
MSJBE2	MDJ61935402	Filter,Exhaust	R	
MSJBE3	MDJ62305401	Filter,Exhaust	R	

R : SERVICE PARTS

REPLACEMENT PARTS LIST

■ VR5906LM(VR5906LM.ALNQLGE)

LOC. NO.	PART NO.	DESCRIPTION	SVC	REMARK
ABCAF1	5203FI3754A	Brush Assembly,Filter	R	
ABCCB1	ABC72909401	Brush Assembly	R	
ADVTF1	ADV72968401	Frame Assembly,Filter	R	
AGBAM1	AGB72911303	Nozzle Assembly,Mop	R	
AHJBR1	AHJ72909401	Roller Assembly	R	
AHJBR2	AHJ72909402	Roller Assembly	R	
AHRBA1	AHR72909401	Shaft Assembly,Agitator	R	
AJLTD2	AJL73011902	Tank Assembly,Dust	R	
AJWBA1	AJW72909701	Wheel Assembly	R	
AJWBA1	AJW72909701	Wheel Assembly	R	
AKBAR1	AKB66476106	Remote Controller Assembly	R	
EABCS1	6401FI1001D	Speaker,Full Range	R	
EACAA1	EAC60766101	Rechargeable Battery,Lithium	R	
EADBS2	EAD60809901	Harness,Single	R	
EADBS3	EAD60842001	Harness,Single	R	
EADBS4	EAD60811501	Harness,Single	R	
EADBS5	EAD60810001	Harness,Single	R	
EADBS6	EAD60810401	Harness,Single	R	
EADBS7	EAD60810302	Harness,Single	R	
EADBS8	EAD60810201	Harness,Single	R	
EADBS9	EAD60809701	Harness,Single	R	
EADCS2	EAD60813001	Harness,Single	R	
EADCS3	EAD60813101	Harness,Single	R	
EADCS4	EAD60813301	Harness,Single	R	
EADCS5	EAD60813201	Harness,Single	R	
EADCS6	EAD60842101	Harness,Single	R	
EADCS6	EAD60842101	Harness,Single	R	
EAUBA1	EAU60695601	Motor Assembly,DC	R	
EAUBA2	EAU60696201	Motor Assembly,DC,Fan	R	
EBDBS1	EBD60662501	Sensor Assembly	R	
EBDBS2	EBD60661401	Sensor Assembly	R	
EBDBS3	6501FI3002C	Sensor Assembly	R	
EBDCS2	EBD60662601	Sensor Assembly	R	
EBFBW1	EBF60755202	Switch,Rocker	R	
EBRCC1	EBR62994402	PCB Assembly,Power	R	
EBRCA1	EBR62993101	PCB Assembly,Sub	R	
EBRAP2	EBR62993001	PCB Assembly,Sub	R	
EBRAP3	EBR62994201	PCB Assembly,Sub	R	
EBRAP4	EBR62994001	PCB Assembly,Sub	R	
EBRAP5	EBR62995001	PCB Assembly,Sub	R	
EBRCD1	EBR62994101	PCB Assembly,Display	R	
FACBP1	1PZZFI3002A	Pin,Common	R	
MAMBB1	MAM61850302	Base,Body	R	
MASBB1	4400FI3355B	Belt	R	
MAY000	MAY64321601	Box	R	
MBDBU1	MBD61883801	Bumper, Body	R	
MCDBA1	MCD61842801	Connector,Pin	R	
MCKBD1	ACW72936108	Decor Assembly	R	
MCKBW1	MCK62265403	Cover,Wheel	R	

R : SERVICE PARTS

REPLACEMENT PARTS LIST

LOC. NO.	PART NO.	DESCRIPTION	SVC	REMARK
MCKBW2	MCK62265503	Cover,Wheel	R	
MCKC11	MCK62265705	Cover,Inner	R	
MCKCT1	MCK62266213	Cover,Top	R	
MCKOA1	MCK63607801	Cover,Dust	R	
MDQBC1	MDQ61887102	Frame,Caster	R	
MDQBF1	MDQ61886901	Frame,Filter	R	
MDQCF1	MDQ61887001	Frame,Filter	R	
MDSBA1	MDS61952901	Gasket	R	
MDTTA3	MDT61844601	Gear	R	
MDTTA4	MDT61844701	Gear	R	
MDTTA5	MDT61844801	Gear	R	
MDTTA6	MDT61843901	Gear	R	
MEABA1	MEA61865501	Guide,Air	R	
MEABH1	MEG61882301	Holder,Fixing	R	
MEABH2	MEG61875601	Holder,Fixing	R	
MEGBF1	MEG61879701	Holder,Fixing	R	
MEGCF3	MEG61879501	Holder,Fixing	R	
MEGCS1	MEG61876201	Holder,Sensor	R	
MFL552	3828FI3868V	Manual,Owners	R	
MFQAM1	MFQ61841301	Mop	R	
MGJCC1	MGJ61912101	Plate,Cover	R	
MGWCR1	MGW61844401	Reflector	R	
MHJBS1	MHJ61848501	Shaft	R	
MHYBC1	4970FI3224Q	Spring,Coil	R	
MHYBC1	4970FI3224Q	Spring,Coil	R	
MHYBC2	4970FI3224P	Spring,Coil	R	
MHYCA1	MHY61869601	Spring	R	
MHYCA2	MHY61869602	Spring	R	
MJGBP1	MGJ61912201	Plate,Guide	R	
MJPCC1	MJP61844601	Terminal,Contact	R	
MJPCC2	MJP61844901	Terminal,Contact	R	
MKCCL1	MKC62155602	Window,LED	R	
MKCCL2	MKC62000901	Window,LED	R	
MSJBE1	MDJ61935401	Filter,Exhaust	R	
MSJBE2	MDJ61935402	Filter,Exhaust	R	
MSJBE3	MDJ62305401	Filter,Exhaust	R	

R : SERVICE PARTS

REPLACEMENT PARTS LIST

■ VR5902LV(VR5902LV.AAEPNAG)

LOC. NO.	PART NO.	DESCRIPTION	SVC	REMARK
MAMBB1	MAM61850301	Base,Body	R	
AHJBR1	AHJ72909401	Roller Assembly	R	
MHJBS1	MHJ61848501	Shaft	R	
AHJBR2	AHJ72909402	Roller Assembly	R	
FACBP1	1PZZFI3002A	Pin,Common	R	
MDQBC1	MDQ61887101	Frame,Caster	R	
MCDBA1	MCD61842801	Connector,Pin	R	
MEABH1	MEG61882301	Holder,Fixing	R	
MEABH2	MEG61875601	Holder,Fixing	R	
EBDBS2	EBD60661401	Sensor Assembly	R	
AANBN1	AAN73469101	Base Assembly,Nozzle	R	
MDTTA5	MDT61844801	Gear	R	
MDTTA4	MDT61844701	Gear	R	
MDTTA3	MDT61844601	Gear	R	
MDTTA6	MDT61843901	Gear	R	
MDTTA1	MDT62027102	Gear	R	
MDTTA2	MDT62027101	Gear	R	
MASBB1	4400FI3355B	Belt	R	
AHRBA1	AHR72909401	Shaft Assembly,Agitator	R	
EAUBA1	EAU60695601	Motor Assembly,DC	R	
EBFBW1	EBF60755202	Switch,Rocker	R	
MJPCC1	MJP61844601	Terminal,Contact	R	
EABCS1	6401FI1001D	Speaker,Full Range	R	
MSJBE1	MDJ61935401	Filter,Exhaust	R	
MSJBE2	MDJ61935402	Filter,Exhaust	R	
EADBS3	EAD60842001	Harness,Single	R	
EADBS2	EAD60809901	Harness,Single	R	
EADBS9	EAD60809701	Harness,Single	R	
EACAA1	EAC60766102	Rechargeable Battery,Lithium	R	
MBDBU1	MBD61883801	Bumper,Body	R	
MCKBI1	MCK66272501	Cover,Switch	R	
ABCCB1	ABC72909401	Brush Assembly	R	
EBRBM1	EBR62979915	PCB Assembly,Main	R	
EBDBS1	EBD60662501	Sensor Assembly	R	
EADBS4	EAD60811501	Harness,Single	R	
MKCCL1	MKC62155602	Window,LED	R	
EBRAP2	EBR62993001	PCB Assembly,Sub	R	
EBRAP1	EBR62993101	PCB Assembly,Sub	R	
EBDBS3	6501FI3002C	Sensor Assembly	R	
EADBS8	EAD60810201	Harness,Single	R	
EADBS7	EAD60810301	Harness,Single	R	
EADBS6	EAD60810401	Harness,Single	R	
EBRAP3	EBR62994201	PCB Assembly,Sub	R	
EADBS5	EAD60810001	Harness,Single	R	
AJWBA1	AJW72909701	Wheel Assembly	R	
MCKBW2	MCK62265403	Cover,Wheel	R	
EADCS6	EAD60842101	Harness,Single	R	
MHYBC1	4970FI3224Q	Spring,Coil	R	
MCKBW1	MCK62265503	Cover,Wheel	R	

R : SERVICE PARTS

REPLACEMENT PARTS LIST

LOC. NO.	PART NO.	DESCRIPTION	SVC	REMARK
EAUBA2	EAU60696201	Motor Assembly,DC,Fan	R	
MEABA1	MEA61865501	Guide,Air	R	
MDSBA1	MDS61952901	Gasket	R	
MDQBF1	MDQ61886901	Frame,Filter	R	
MCKCI1	MCK62265704	Cover,Inner	R	
MCKCT1	MCK62266211	Cover,Top	R	
MEGBF1	MEG61879701	Holder,Fixing	R	
MEGCS1	MEG61876201	Holder,Sensor	R	
MGWCR2	MGW61845701	Reflector	R	
MEGCF3	MEG61879501	Holder,Fixing	R	
EBRAP4	EBR62994001	PCB Assembly,Sub	R	
EBDCS2	EBD60662601	Sensor Assembly	R	
EBDCS1	EBD60663104	Sensor Assembly	R	
EADCS3	EAD60813101	Harness,Single	R	
EADCS2	EAD60813001	Harness,Single	R	
MHYCA1	MHY61869601	Spring	R	
MHYCA2	MHY61869602	Spring	R	
AJLTD2	AJL73011902	Tank Assembly,Dust	R	
MCKOA1	MCK63607801	Cover,Dust	R	
ADVTF1	ADV72968401	Frame Assembly,Filter	R	
MDQCF1	MDQ61887001	Frame,Filter	R	
MGJCC1	MGJ61912101	Plate,Cover	R	
MSJBE3	MDJ62305401	Filter,Exhaust	R	
MKCCL2	MKC62000901	Window,LED	R	
MJGBP1	MGJ61912201	Plate,Guide	R	
MJPCC2	MJP61844901	Terminal,Contact	R	
EADCS5	EAD60813201	Harness,Single	R	
EADCS4	EAD60813301	Harness,Single	R	
MHYBC2	4970FI3224P	Spring,Coil	R	
EBRCC1	EBR62994402	PCB Assembly,Power	R	
EBRCA1	EBR62995001	PCB Assembly,Sub	R	
MCKBD1	ACW72936106	Decor Assembly	R	
MCKAD1	MKC62000703	Window,Display	R	
AKBAR1	AKB66476105	Remote Controller Assembly	R	
MFL552	3828FI3868X	Manual,Owners	R	
ABCAF1	5203FI3754A	Brush Assembly,Filter	R	
MAY000	MAY64321601	Box	R	
MKCAG1	MKC62038701	Window,Glass	R	

R : SERVICE PARTS



LG Electronics Inc.