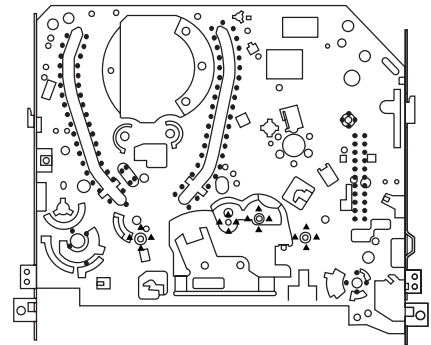
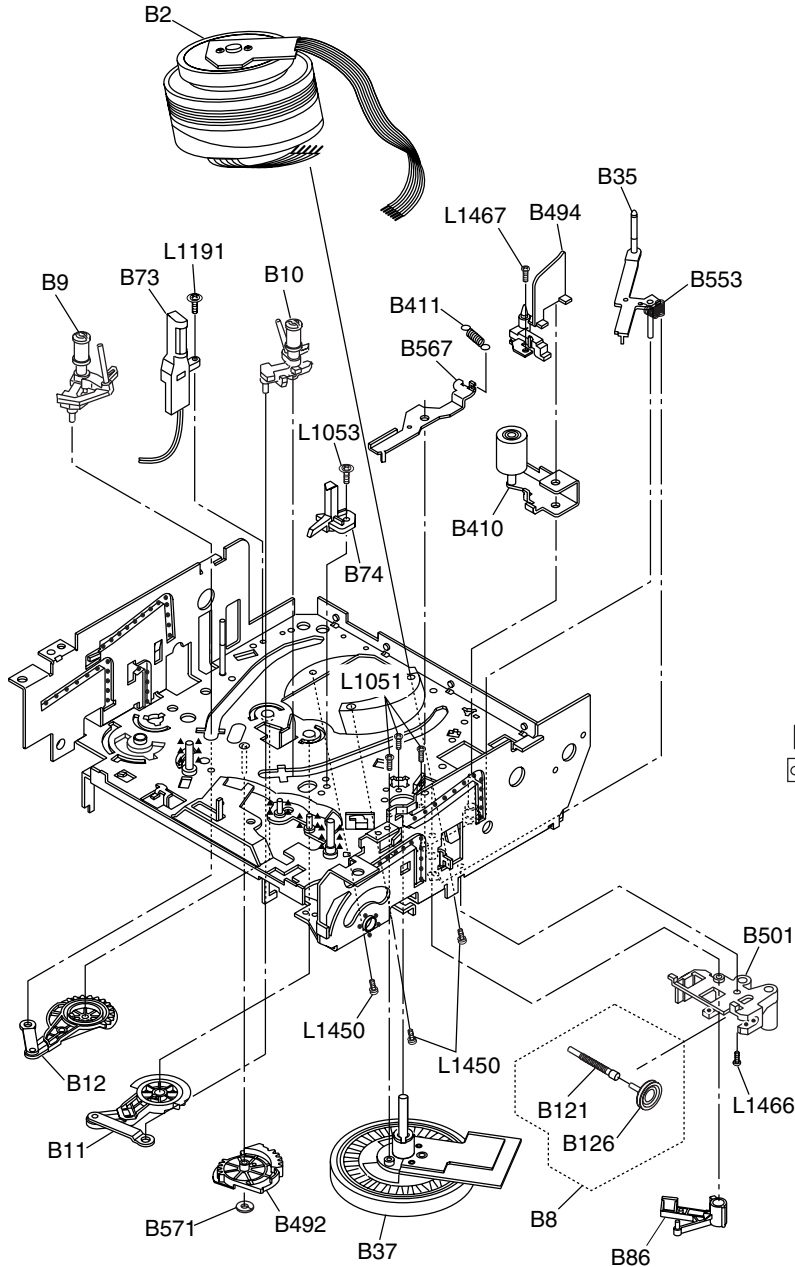


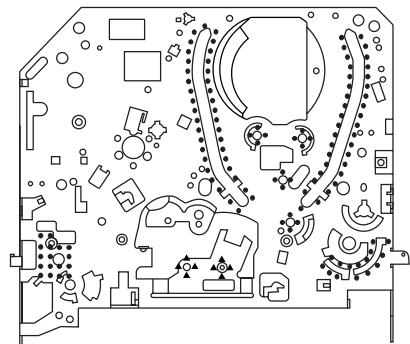
# DECK EXPLODED VIEWS

## Deck Mechanism View 1

Mark	Description
•••••	Floil G-684G or Multemp MH-D (Blue grease)
▲▲▲▲▲	SLIDUS OIL #150



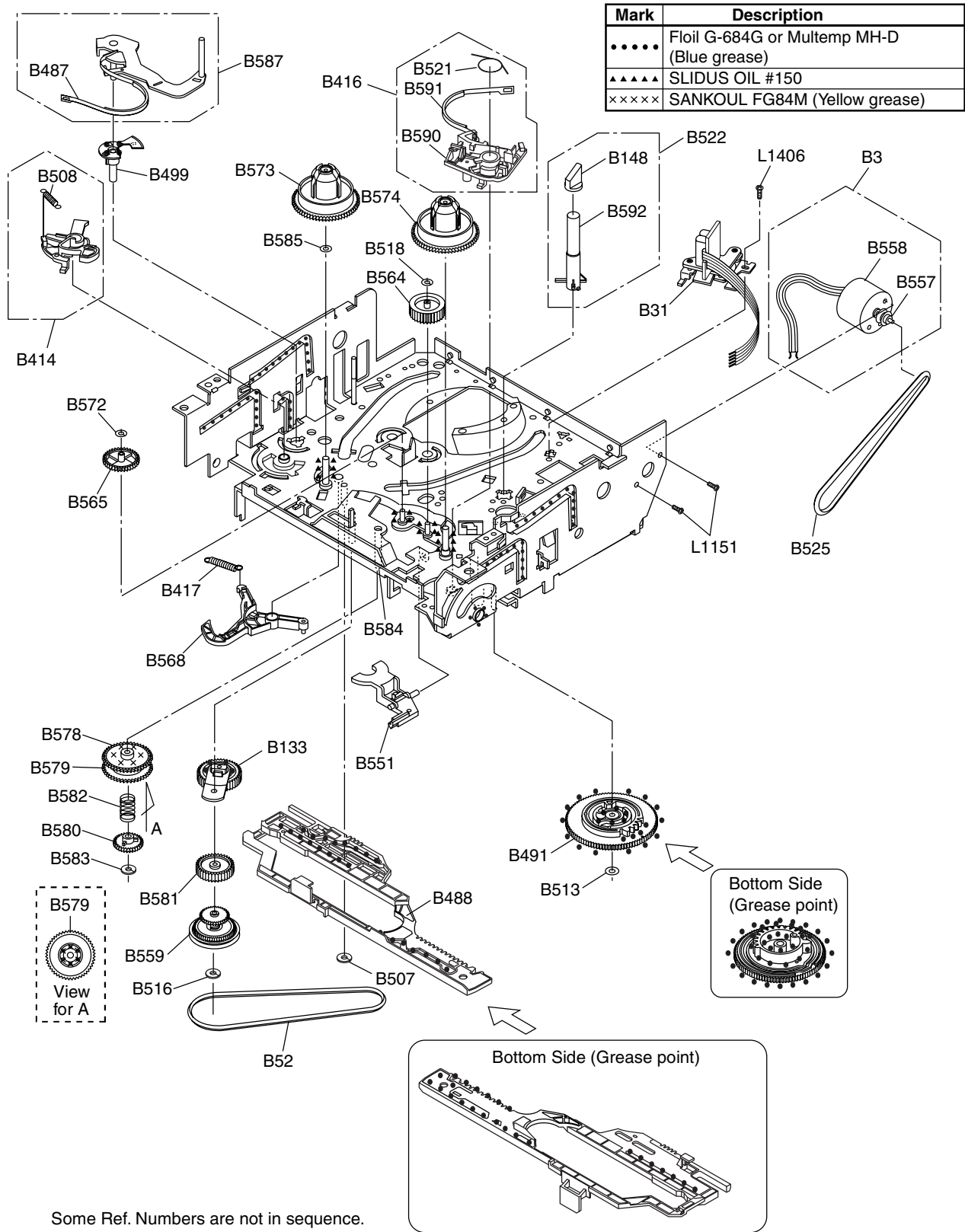
Chassis Assembly  
Top View (Lubricating Point)



Chassis Assembly  
Bottom View (Lubricating Point)

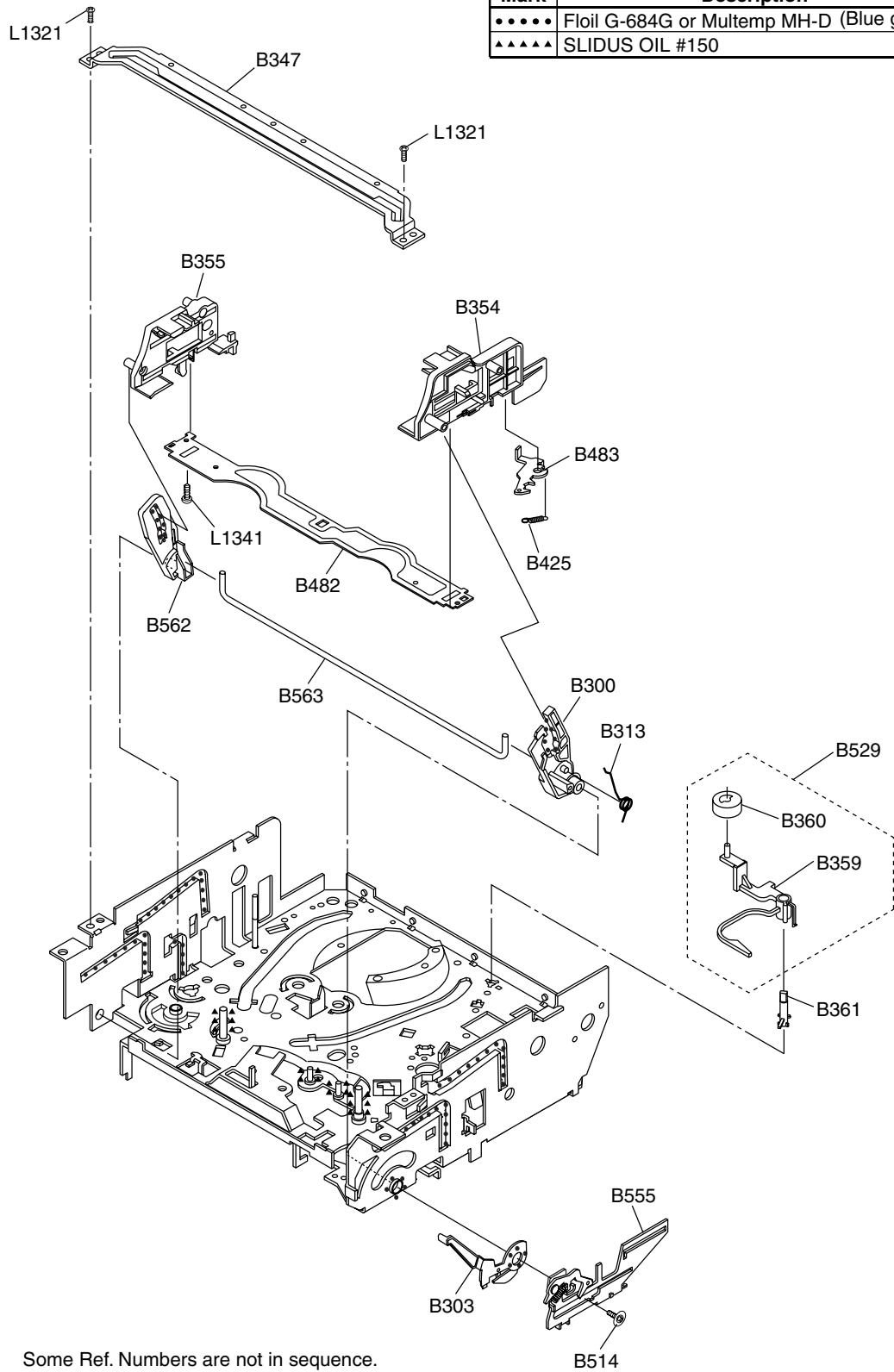
Some Ref. Numbers are not in sequence.

# Deck Mechanism View 2



# Deck Mechanism View 3

Mark	Description
•••••	Floil G-684G or Multemp MH-D (Blue grease)
▲▲▲▲▲	SLIDUS OIL #150



DECK PARTS LIST		
Pos.	▲ 12 NC	Description
B2	9965 000 23362	CYLINDER ASS. PAL
B3	9965 000 23363	LOADING MOTOR
B8	9965 000 16631	PULLEY ASS.(HI)
B9	9965 000 23364	MOVING GUIDE S P.P
B10	9965 000 23365	MOVING GUIDE T P.P
B11	9965 000 16634	LOADING ARM(TU)
B12	9965 000 16635	LOADING ARM(SP)
B31	9965 000 23366	AC HEAD ASS.
B35	9965 000 16637	TAPE GUIDE ARM ASS.
B37	9965 000 23367	CAPSTAN MOTOR
B52	9965 000 08593	CAP BELT
B73	9965 000 19628	FE HEAD
B74	9965 000 08555	PRISM
B86	9965 000 16639	F BRAKE ASS.(HI)
B121	9965 000 16640	WORM
B126	9965 000 18128	PULLEY
B133	9965 000 23368	IDLER ASS.(HI)
B148	4822 462 11189	TG CAP
B300	9965 000 16643	C DRIVE LEVER(TU)
B303	9965 000 23369	F DOOR OPENER
B313	9965 000 16645	C DRIVE SPRING
B347	9965 000 08445	BRAND BADGE HC460ED
B354	9965 000 18130	SLIDER(TU)
B355	9965 000 19630	SLIDER(SP)
B359	9965 000 08449	CLEANER LEVER
B360	9965 000 06561	CLEANER ROLLER(2)
B361	9965 000 08450	CL POST
B410	9965 000 23370	PINCH ARM(A) ASS.
B411	9965 000 16649	PINCH SPRING
B414	9965 000 17218	M BRAKE(SP) ASS.(HI)
B416	9965 000 16651	M BRAKE(TU) ASS.(HI)
B417	9965 000 23371	TENSION SPRING
B425	9965 000 08457	LOCK LEVER SPRING
B482	9965 000 16653	CASSETTE PLATE
B483	9965 000 16654	LOCK LEVER
B487	9965 000 16655	BAND BRAKE(SP)
B488	9965 000 18145	MODE LEVER(HI)
B491	9965 000 16657	CAM GEAR(A)(HI)
B492	9965 000 19636	MODE GEAR(LM)
B494	9965 000 16659	C DOOR OPENER
B499	9965 000 16660	T LEVER HOLDER
B501	9965 000 16661	WORM HOLDER
B507	9965 000 05342	REEL WASHER 5*2.1*0.5
B508	9965 000 17219	S BRAKE SPRING(HI)
B513	4822 532 13158	P.S.W F 6*2.55*0.5
B514	9965 000 08641	SCREW RACK
B516	9965 000 05342	REEL WASHER 5*2.1*0.5

DECK PARTS LIST		
Pos.	▲ 12 NC	Description
B518	4822 532 13159	P.S.W CUT 1.6X4.0X0.5T
B521	9965 000 17220	REV BRAKE SPG(HI)
B522	9965 000 08483	TG POST ASS.
B525	9965 000 12230	LDG BELT
B529	9965 000 08504	CLEANER ASS.
B551	9965 000 17221	FF ARM(HI)
B553	9965 000 12233	REV SPRING
B555	9965 000 16663	RACK ASS.
B557	9965 000 23372	MOTER PULLEY U5
B558	9965 000 23373	LOADING MOTOR
B559	9965 000 16664	CLUTCH ASS.(HI)
B562	9965 000 16665	C DRIVE LEVER(SP)
B563	9965 000 16666	SLIDER SHAFT
B564	9965 000 16667	M GEAR(HI)
B565	9965 000 16668	SENSOR GEAR(HI)
B567	9965 000 16669	PINCH ARM(B)
B568	9965 000 16670	BT ARM
B571	4822 532 13159	P.S.W CUT 1.6X4.0X0.5T
B572	4822 532 13159	P.S.W CUT 1.6X4.0X0.5T
B573	9965 000 12241	REEL S
B574	9965 000 12376	REEL T
B578	9965 000 12243	TR GEAR A
B579	9965 000 16671	TR GEAR B
B580	9965 000 19638	TR GEAR C
B581	9965 000 16673	CENTER GEAR
B582	9965 000 23374	TR GEAR SPRING
B583	9965 000 17201	CAM WASHER
B584	9965 000 12248	TR GEAR SHAFT
B585	9965 000 13687	PSW(317505)
B587	9965 000 16674	TENSION LEVER ASS.
B590	9965 000 18132	BRAKE ARM(TU)
B591	9965 000 17210	BAND BRAKE(TU)
B592	9965 000 16678	TG POST
L1051	9965 000 05359	SCREW, B-TIGHT M2.6X6 PAN HEAD+
L1053	9965 000 05375	SCREW, S-TIGHT M2.6X8 WASHER HEAD+
L1151	9965 000 08642	SCREW, SEMS M2.6X4 PAN HEAD+
L1191	9965 000 05375	SCREW, S-TIGHT M2.6X8 WASHER HEAD+
L1321	4822 502 14009	SCREW, S-TIGHT M3X6 BIND HEAD+
L1341	9965 000 23375	SCREW, P-TIGHT M2X6 PAN HEAD+
L1406	9965 000 08643	AC HEAD SCREW SCREW, SEMS
L1450	4822 502 14671	M2.6X5 PAN HEAD+
L1466	9965 000 05364	SCREW, S-TIGHT M2.6X6 BIND HEAD+
L1467	9965 000 23376	SCREW M2.6X5 WASHER HEAD+