

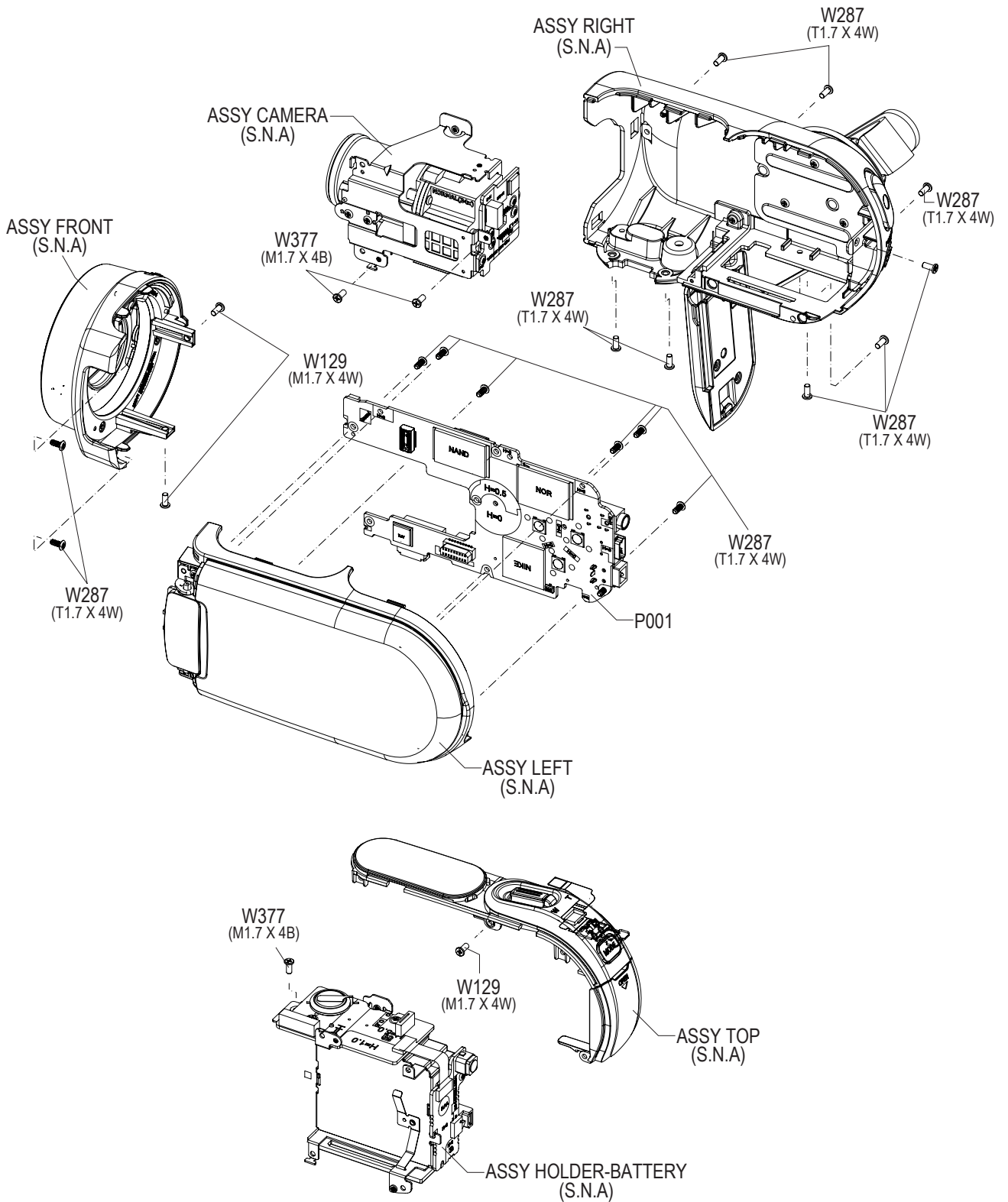
---

## **5. Exploded View and Parts List**

---

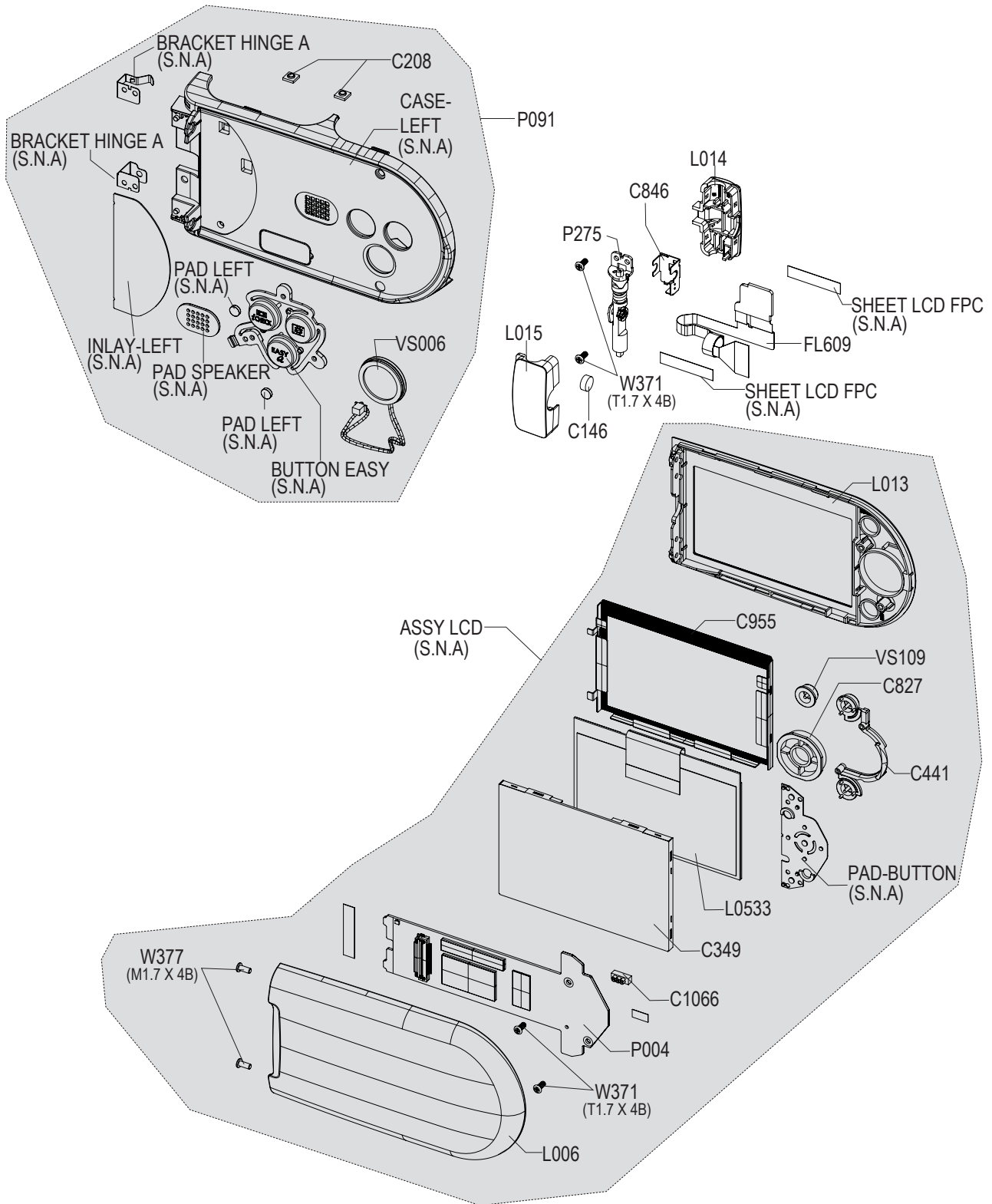
<b>5-1 Ass'y Chassis</b>	<b>5-2</b>
<b>5-2 Ass'y Left</b>	<b>5-4</b>
<b>5-3 Ass'y Right</b>	<b>5-6</b>
<b>5-4 Ass'y Camera</b>	<b>5-8</b>
<b>5-5 Ass'y Holder battery</b>	<b>5-9</b>
<b>5-6 Ass'y Top</b>	<b>5-10</b>
<b>5-7 Ass'y Front</b>	<b>5-11</b>
<b>5-8 Electrical Parts List</b>	<b>5-12</b>

### 5-1 Ass'y Chassis



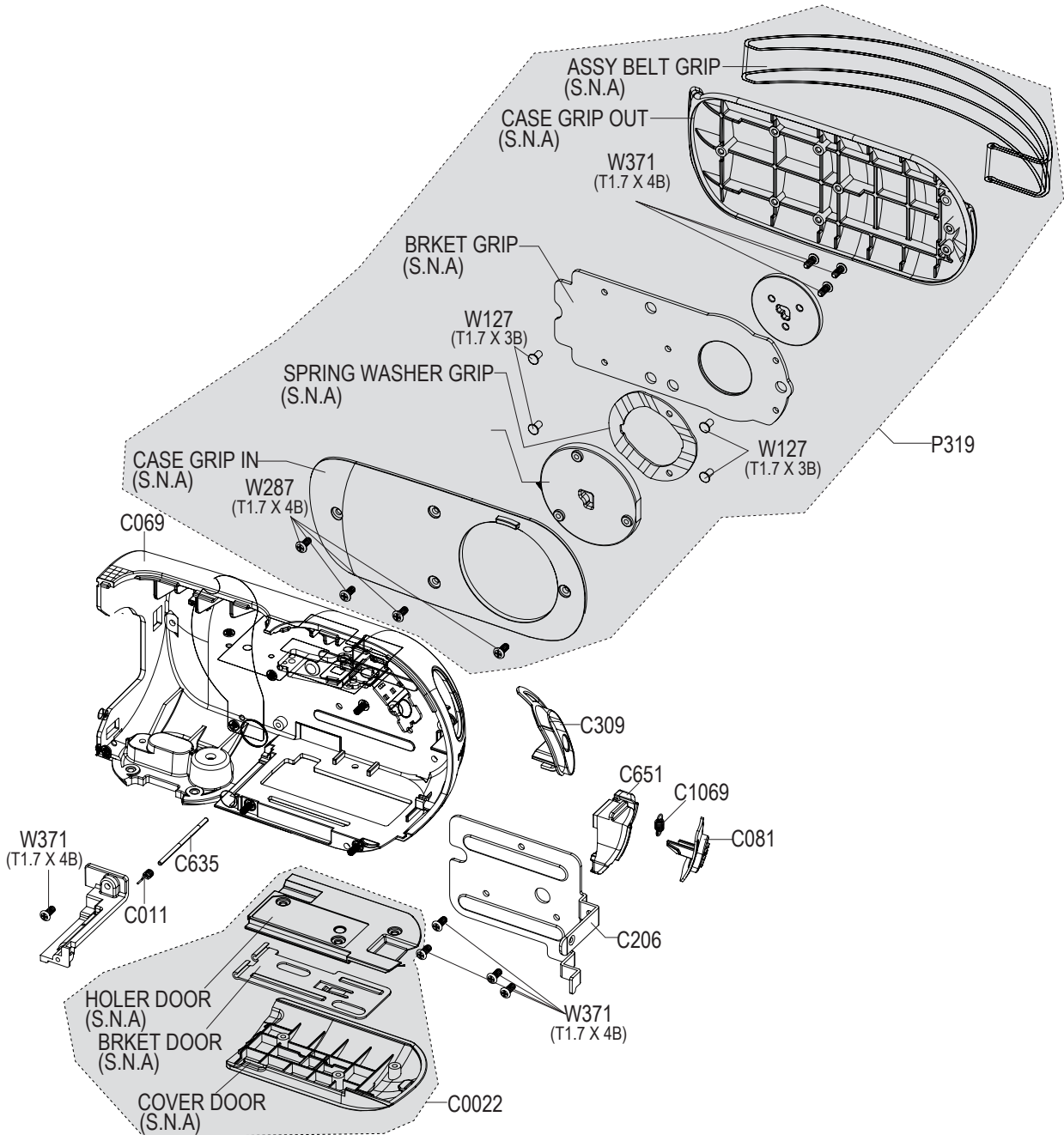
Loc. No	Parts No.	Description ; Specification	Q ty	SNA	Remark
P001	AD92-00579G	ASSY PCB MAIN;MX20-PJ,VP-MX20/EDC,PAL,EN	1	SA	
W129	6001-001719	SCREW-MACHINE;CH,+,M1.7,L4,NI PLT	3	SA	
W287	6003-001479	SCREW-TAPTITE;BH,+,-,B,M1.7,L4,NI PLT,SW	16	SA	
W377	6001-001291	SCREW-MACHINE;CH(0.5),*,-,M1.7,L4,ZPC(BL	3	SA	

## 5-2 Ass'y Left



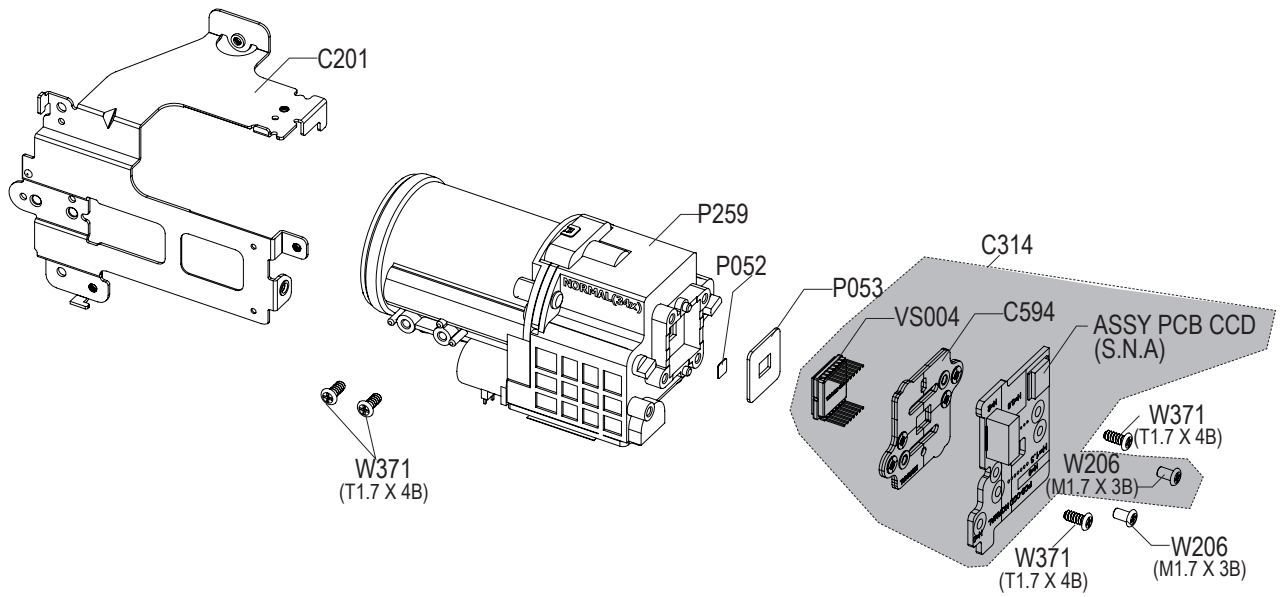
Loc. No	Parts No.	Description ; Specification	Q ty	SNA	Remark
C1066	AD61-03720A	MAGNET-LCD;MX20,Nd-Fe-B N45M,T2,W2.3,L	1	SA	
C146	AD61-03112A	MAGNET-LEFT;DRAGON4-PJ,MAGNET,T2.5,W2,L2	1	SA	
C208	AD61-12033A	BRACKET-NUT;SV-D10,SECC,-,-,-,T0.8	2	SA	
C349	AD97-13001A	ASSY-BLU;MX10,LEDx4,2.7" WIDE,-	1	SA	
C441	AD64-02283E	BUTTON-MENU;MX20,PC ABS,50,-,BROWN,-	1	SA	
C827	AD64-02281A	BUTTON-NAVI;MX20,PC+ABS,16,-,SILVER,-	1	SA	
C846	AD61-02906A	BRACKET-GUIDE FPC;MX10,SUS 304 1/2 H,T0.	1	SA	
C955	AD61-03697A	BRACKET-GROUND DISPLAY;MX20,SUS304,T0.3,	1	SA	
FL609	AD97-16203A	ASSY-FPC LCD;MX20-PJ,SC-MX20C,ASSY FPC L	1	SA	
L006	AD61-03677D	CASE-LCD TOP;MX20,PC ABS,T1.5,W60,L90,BR	1	SA	
L013	AD61-03678D	CASE-LCD BOTTOM;MX20,PC ABS,T1.5,W50,K90	1	SA	
L014	AD63-02948A	COVER-HINGE TOP;MX20,PC ABS,T1.3,W28,L14	1	SA	
L015	AD63-02949D	COVER-HINGE BOTTOM;MX20,PC ABS,T1.5,W30,	1	SA	
L0533	AD07-00090B	LCD-PANEL;A027CW01,RAINBOW3-PJ,112320,63	1	SA	
P004	AD97-16201A	ASSY-LCD BOARD;MX20-PJ,SC-MX20C,ASSY LCD	1	SA	
P091	AD97-15657A	ASSY CASE-LEFT;ASSY,MX20,Not use the Cra	1	SA	
P275	AD97-15898A	ASSY HINGE;ASSY,MX20,Use the new SHAFT-R	1	SA	
VS006	AD97-15673A	ASSY SPEAKER;MX20,MICRO-SPEAKER,G-17S08-	1	SA	
VS109	AD64-02282A	BUTTON-ENTER;MX20,PC+ABS,7.6,-,NORMAL,-	1	SA	
W371	6003-001453	SCREW-TAPTITE;BH,+ ,B,M1.7,L4,ZPC(BLK)	4	SA	
W377	6001-001291	SCREW-MACHINE;CH(0.5),*,-,M1.7,L4,ZPC(BL	2	SA	

### 5-3 Ass'y Right



Loc. No	Parts No.	Description ; Specification	Q ty	SNA	Remark
C069	AD61-03711A	CASE-RIGHT;MX20,PC+ABS,T1.5,W60,L120,-,N	1	SA	
C0022	AD97-15617A	ASSY DOOR;ASSY,MX20,BASIC,-	1	SA	
C011	AD61-03705A	SPRING ETC-DOOR;MX20,SUS,0.3,1.2,1.8,2,6	1	SA	
C081	AD64-02289A	KNOB-POWER;MX20,PC+ABS,T1,W12,L6,-,NULL,	1	SA	
C1069	AD61-03671A	HOLDER-SHAFT DOOR;MX20,PC+ABS,T1.2,W11,L	1	SA	
C206	AD61-03693A	BRACKET-RIGHT;MX20,SUS304,T0.8,W30,L40,-	1	SA	
C309	AD64-02285A	BUTTON-REC;MX20,PC+ABS,W14 L10,-,NORMAL,	1	SA	
C635	AD66-00604A	SHAFT DOOR;MX20,SUS,24.1,1.1,-,-,-	1	SA	
C651	AD61-03670A	HOLDER-POWER;MX20,PC+ABS,T1,W30,L28,-,-	1	SA	
P319	AD97-15615E	ASSY GRIP;MX20,BLUE,-,-	1	SA	
W127	6003-001292	SCREW-TAPTITE;CH(0.3),+,B,M1.7,L3,ZPC(BL	4	SA	
W287	6003-001479	SCREW-TAPTITE;BH,+,-,B,M1.7,L4,NI PLT,SW	4	SA	
W371	6003-001453	SCREW-TAPTITE;BH,+,-,B,M1.7,L4,ZPC(BLK)	8	SA	

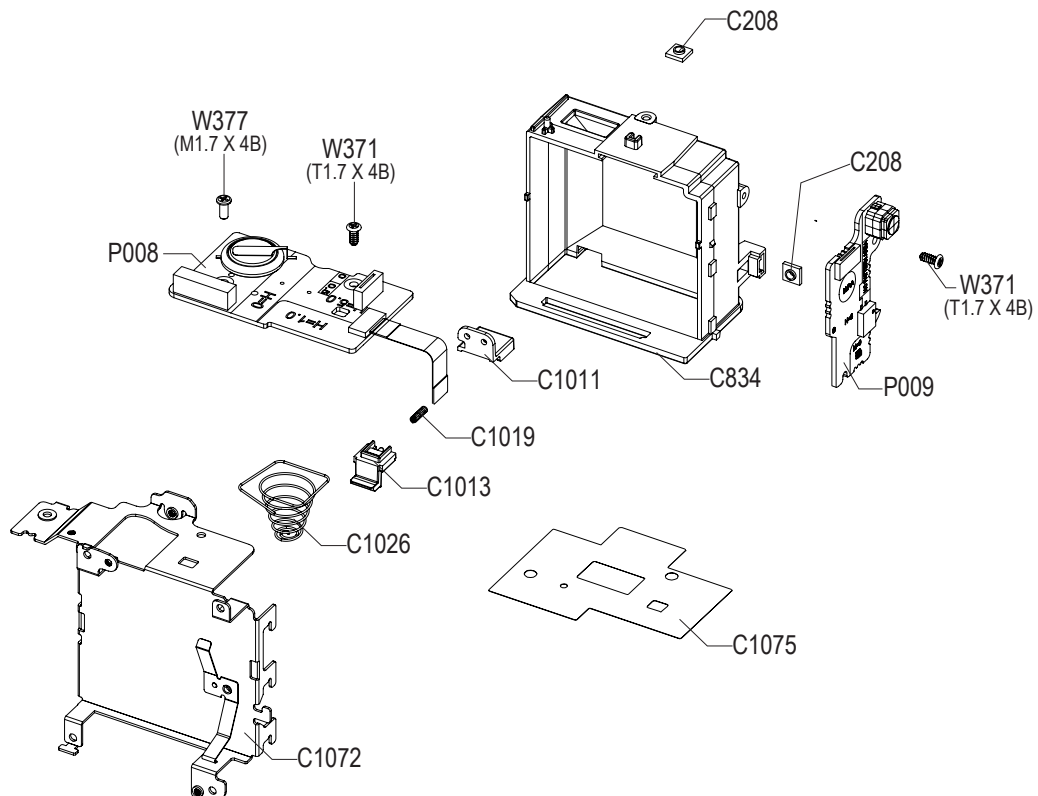
### 5-4 Ass'y Camera



Loc. No	Parts No.	Description ; Specification	Q ty	SNA	Remark
C201	AD61-03688A	BRACKET-LENS;MX20,SUS304,T0.5,W79,L58,-,	1	SA	
C314	AD97-15560A	ASSY CCD;VP-MX20,MX20-PJ,PAL,-	1	SA	
C594	AD61-02357A	PLATE-CCD;DRAGON2-PJ,AL,T1,W21,L25,-,-	1	SA	
P052	AD67-00369A	LENS FILTER-OLPF LSSS1;SPML,IR CUT,WHITE	1	SA	
P053	AD60-00053A	SPACER-CCD;ALPHA_PJ,SILICON,-,-,-,BLK,0.	1	SA	
P259	AD97-12168A	ASSY ZOOM-LENS;RAINBOW2-NORMAL,ASSY,34X	1	SA	
VS004	0605-001146	CCD;CCD(PAL),DIP-14(Plastic),14P,8	1	SA	
W206	6001-001373	SCREW-MACHINE;PH,T0.5,+,-,M1.7,L3.0,ZPC(	2	SA	
W371	6003-001453	SCREW-TAPTITE;BH,+ ,B,M1.7,L4,ZPC(BLK)	4	SA	

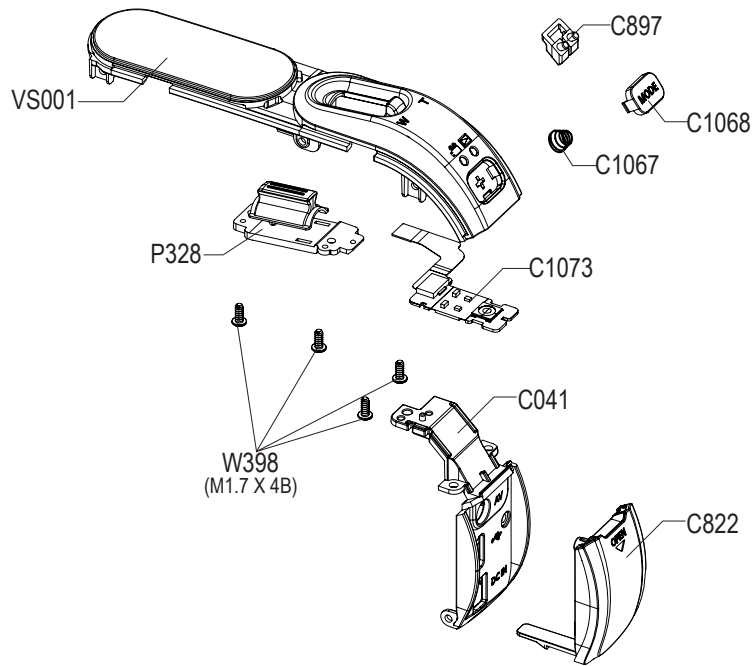


## 5-5 Ass'y Holder battery



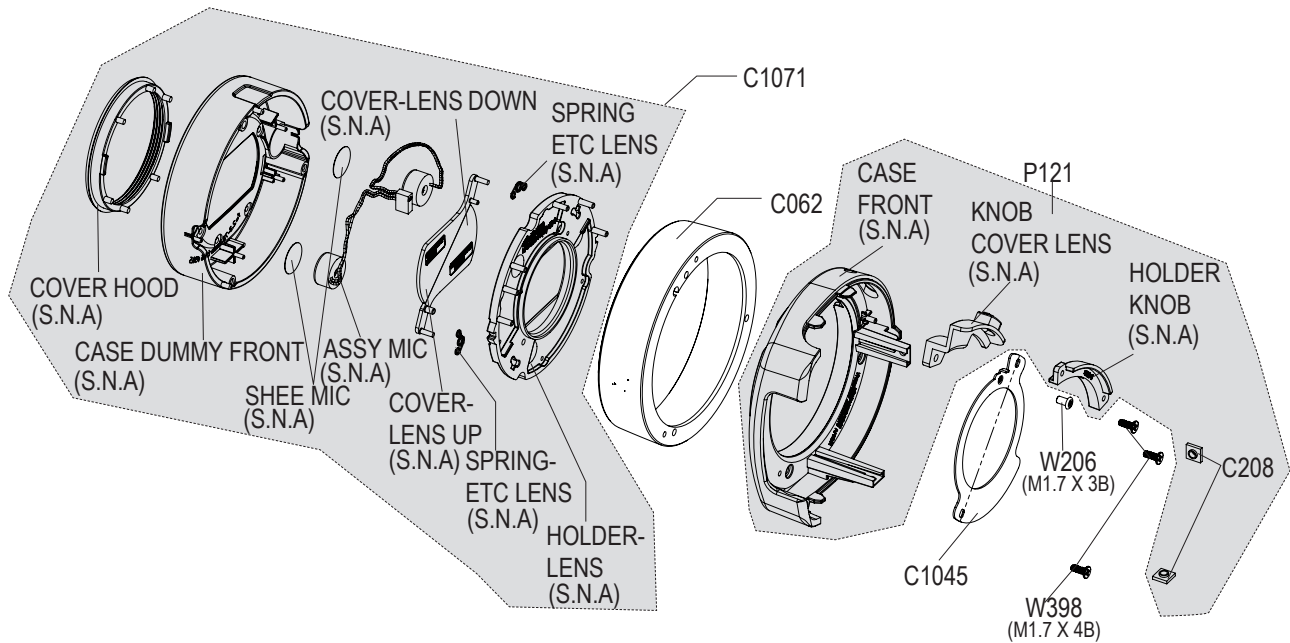
Loc. No	Parts No.	Description ; Specification	Q ty	SNA	Remark
C208	AD61-12033A	BRACKET-NUT;SV-D10,SECC,-,-,-,T0.8	2	SA	
C1011	AD61-02894A	HOLDER-SPRING BATTERY;MX10-PJ,PC+ABS,T8.	1	SA	
C1013	AD64-01671A	KNOB-LOCKER BATTERY;MX10,PC + ABS,T7,W8.	1	SA	
C1019	AD61-02901A	SPRING ETC-LOCK BATTERY;MX10,SUS,0.2,-,-	1	SA	
C1026	AD61-03706A	SPRING ETC-BATTERY COIL;MX20,SUS,0.35,11	1	SA	
C1072	AD97-15647A	ASSY BRACKET-HOLDER BATTERY;ASSY,MX20,-,	1	SA	
C1075	AD63-03295A	SHEET-HOLDER BATTERY;MX20,PET BL	1	SA	
C834	AD61-03669A	HOLDER-BATTERY;MX20,PC+ABS,1,44,41,NORMA	1	SA	
P008	AD92-00583A	ASSY PCB-TOP;- ,MX20-PJ,NTSC/PAL ALL,-	1	SA	
P009	AD92-00585A	ASSY PCB REAR;- ,MX20-PJ,NTSC/PAL ALL,-	1	SA	
W371	6003-001453	SCREW-TAPTITE;BH,+ ,B,M1.7,L4,ZPC(BLK)	2	SA	
W377	6001-001291	SCREW-MACHINE;CH(0.5),*,- ,M1.7,L4,ZPC(BL	1	SA	

## 5-6 Ass'y Top



Loc. No	Parts No.	Description ; Specification	Q ty	SNA	Remark
C1067	AD61-03713A	SPRING ETC-MODE;MX20,SUS304 - WPB,Φ0.15	1	SA	
C041	AD61-03680A	CASE-REAR;MX20,PC+ABS,T1.5,W60,L25,NULL,	1	SA	
C1068	AD64-02284A	BUTTON-MODE;MX20,PC+ABS,W12 L6,-,NORMAL,	1	SA	
C1073	AD97-16202A	ASSY-FPC MODE;MX20-PJ,SC-MX20C,ASSY FPC	1	SA	
C822	AD63-02950A	COVER-JACK;MX20,PC+ABS+URETHANE,T1.2,W38	1	SA	
C897	AD64-02286A	INDICATOR-MODE;MX20,ACRYL,1.5,MILK WHITE	1	SA	
P328	AD97-15632A	ASSY ZOOM-TOP;VP-MX20C,membrane,ASSY-ZOO	1	SA	
VS001	AD61-03679A	CASE-TOP;MX20,PC+ABS,1.5,W98 L54,-,NULL	1	SA	
W398	6003-001300	SCREW-TAPTITE;CH,+,B,M1.7,L4,ZPC(BLK),SW	4	SA	

## 5-7 Ass'y Front



Loc. No	Parts No.	Description ; Specification	Q ty	SNA	Remark
C062	AD63-03017D	COVER-FRONT;MX20,BLUE,1,50,50,-,-,-	1	SA	
C1045	AD61-03696A	BRACKET-ROTATE;MX20,SUS304,T0.5,W50,L40,	1	SA	
C1071	AD97-15619A	ASSY FRONT-DUMMY;ASSY,MX20,BASIC,-	1	SA	
C208	AD61-12033A	BRACKET-NUT;SV-D10,SECC,-,-,-,T0.8	2	SA	
P121	AD97-15618D	ASSY CASE-FRONT;MX20,BLUE,-,-	1	SA	
W206	6001-001373	SCREW-MACHINE;PH,T0.5,+,-,M1.7,L3.0,ZPC(	1	SA	
W398	6003-001300	SCREW-TAPTITE;CH,+ ,B,M1.7,L4,ZPC(BLK),SW	3	SA	

## 5-8 Electrical Parts List

Loc.No	Part No	Description : Specification	Q'ty	S.N.A	Remark	Loc.No	Part No	Description : Specification	Q'ty	S.N.A	Remark
	<b>AD92-005796</b>	<b>Main PCB</b>	<b>1</b>	<b>SA</b>							
	<b>ASSY PCB MAIN;MX20-P1,VP-MX20/ED</b>										
BDP01	3301-001649	BEAD-SMD;180ohm,1608,-,TP,-,226o	1	SA		CD53	2203-002709	C-CER,CHIP;100nF,+80-20%,16V,Y5V	1	SA	
BN01	2007-000173	R-CHIP;22ohm,5%,1/16W,TP,1005	1	SA		CD54	2203-002709	C-CER,CHIP;100nF,+80-20%,16V,Y5V	1	SA	
BN02	2007-000173	R-CHIP;22ohm,5%,1/16W,TP,1005	1	SA		CD55	2203-002709	C-CER,CHIP;100nF,+80-20%,16V,Y5V	1	SA	
BN03	2007-000173	R-CHIP;22ohm,5%,1/16W,TP,1005	1	SA		CD56	2203-002709	C-CER,CHIP;100nF,+80-20%,16V,Y5V	1	SA	
BN04	2007-000173	R-CHIP;22ohm,5%,1/16W,TP,1005	1	SA		CD57	2203-002709	C-CER,CHIP;100nF,+80-20%,16V,Y5V	1	SA	
BN05	2007-000173	R-CHIP;22ohm,5%,1/16W,TP,1005	1	SA		CD58	2203-002709	C-CER,CHIP;100nF,+80-20%,16V,Y5V	1	SA	
BN06	2007-000171	R-CHIP;0ohm,5%,1/16W,TP,1005	1	SA		CD59	2203-002709	C-CER,CHIP;100nF,+80-20%,16V,Y5V	1	SA	
CA01	2404-001064	C-TA,CHIP;10UF,20%,6.3V,WT,TP,20	1	SA		CD61	2203-002709	C-CER,CHIP;100nF,+80-20%,16V,Y5V	1	SA	
CA03	2404-001064	C-TA,CHIP;10UF,20%,6.3V,WT,TP,20	1	SA		CD62	2203-002709	C-CER,CHIP;100nF,+80-20%,16V,Y5V	1	SA	
CA04	2203-002709	C-CER,CHIP;100nF,+80-20%,16V,Y5V	1	SA		CD63	2203-002709	C-CER,CHIP;100nF,+80-20%,16V,Y5V	1	SA	
CA05	2404-001064	C-TA,CHIP;10UF,20%,6.3V,WT,TP,20	1	SA		CD64	2203-002709	C-CER,CHIP;100nF,+80-20%,16V,Y5V	1	SA	
CA06	2203-002709	C-CER,CHIP;100nF,+80-20%,16V,Y5V	1	SA		CD65	2203-002709	C-CER,CHIP;100nF,+80-20%,16V,Y5V	1	SA	
CA07	2404-001288	C-TA,CHIP;2.2UF,10%,16V,WT,TP,32	1	SA		CD66	2203-002709	C-CER,CHIP;100nF,+80-20%,16V,Y5V	1	SA	
CA08	2203-002709	C-CER,CHIP;100nF,+80-20%,16V,Y5V	1	SA		CD67	2203-002709	C-CER,CHIP;100nF,+80-20%,16V,Y5V	1	SA	
CA09	2203-002709	C-CER,CHIP;100nF,+80-20%,16V,Y5V	1	SA		CD68	2203-002709	C-CER,CHIP;100nF,+80-20%,16V,Y5V	1	SA	
CA10	2404-000227	C-TA,CHIP;4.7uF,10%,10V,-,TP,32	1	SA		CD69	2203-002709	C-CER,CHIP;100nF,+80-20%,16V,Y5V	1	SA	
CA11	2203-002487	C-CER,CHIP;4.7nF,10%,25V,X7R,TP,	1	SA		CD71	2203-002709	C-CER,CHIP;100nF,+80-20%,16V,Y5V	1	SA	
CA12	2203-002487	C-CER,CHIP;4.7nF,10%,25V,X7R,TP,	1	SA		CD72	2203-002709	C-CER,CHIP;100nF,+80-20%,16V,Y5V	1	SA	
CA13	2203-005065	C-CER,CHIP;1000nF,+80-20%,10V,Y5	1	SA		CD73	2203-002709	C-CER,CHIP;100nF,+80-20%,16V,Y5V	1	SA	
CA14	2203-005065	C-CER,CHIP;1000nF,+80-20%,10V,Y5	1	SA		CD74	2203-002709	C-CER,CHIP;100nF,+80-20%,16V,Y5V	1	SA	
CA15	2203-005065	C-CER,CHIP;1000nF,+80-20%,10V,Y5	1	SA		CD81	2203-002709	C-CER,CHIP;100nF,+80-20%,16V,Y5V	1	SA	
CA16	2203-005065	C-CER,CHIP;1000nF,+80-20%,10V,Y5	1	SA		CD82	2404-001064	C-TA,CHIP;10UF,20%,6.3V,WT,TP,20	1	SA	
CA17	2203-002709	C-CER,CHIP;100nF,+80-20%,16V,Y5V	1	SA		CD83	2203-002709	C-CER,CHIP;100nF,+80-20%,16V,Y5V	1	SA	
CA18	2203-002709	C-CER,CHIP;100nF,+80-20%,16V,Y5V	1	SA		CD84	2404-001064	C-TA,CHIP;10UF,20%,6.3V,WT,TP,20	1	SA	
CA20	2203-005065	C-CER,CHIP;1000nF,+80-20%,10V,Y5	1	SA		CD85	2203-002709	C-CER,CHIP;100nF,+80-20%,16V,Y5V	1	SA	
CA21	2203-005065	C-CER,CHIP;1000nF,+80-20%,10V,Y5	1	SA		CD86	2404-001064	C-TA,CHIP;10UF,20%,6.3V,WT,TP,20	1	SA	
CA22	2203-000254	C-CER,CHIP;10nF,10%,16V,X7R,1005	1	SA		CD87	2203-002709	C-CER,CHIP;100nF,+80-20%,16V,Y5V	1	SA	
CD01	2203-005055	C-CER,CHIP;0.0056nF,0.25pF,50V,N	1	SA		CD88	2404-001064	C-TA,CHIP;10UF,20%,6.3V,WT,TP,20	1	SA	
CD02	2203-005055	C-CER,CHIP;0.0056nF,0.25pF,50V,N	1	SA		CD89	2203-002709	C-CER,CHIP;100nF,+80-20%,16V,Y5V	1	SA	
CD03	2203-005055	C-CER,CHIP;0.0056nF,0.25pF,50V,N	1	SA		CD90	2404-001064	C-TA,CHIP;10UF,20%,6.3V,WT,TP,20	1	SA	
CD04	2203-005055	C-CER,CHIP;0.0056nF,0.25pF,50V,N	1	SA		CD91	2203-002709	C-CER,CHIP;100nF,+80-20%,16V,Y5V	1	SA	
CD05	2203-000233	C-CER,CHIP;0.1nF,5%,50V,COG,1005	1	SA		CD92	2404-001064	C-TA,CHIP;10UF,20%,6.3V,WT,TP,20	1	SA	
CD06	2203-000233	C-CER,CHIP;0.1nF,5%,50V,COG,1005	1	SA		CD93	2203-002709	C-CER,CHIP;100nF,+80-20%,16V,Y5V	1	SA	
CD07	2203-000233	C-CER,CHIP;0.1nF,5%,50V,COG,1005	1	SA		CD94	2404-001064	C-TA,CHIP;10UF,20%,6.3V,WT,TP,20	1	SA	
CD08	2203-000233	C-CER,CHIP;0.1nF,5%,50V,COG,1005	1	SA		CD95	2203-002709	C-CER,CHIP;100nF,+80-20%,16V,Y5V	1	SA	
CD09	2203-000233	C-CER,CHIP;0.1nF,5%,50V,COG,1005	1	SA		CD96	2203-002709	C-CER,CHIP;100nF,+80-20%,16V,Y5V	1	SA	
CD10	2203-000233	C-CER,CHIP;0.1nF,5%,50V,COG,1005	1	SA		CD97	2203-000254	C-CER,CHIP;10nF,10%,16V,X7R,1005	1	SA	
CD100	2203-005055	C-CER,CHIP;0.0056nF,0.25pF,50V,N	1	SA		CD98	2203-005055	C-CER,CHIP;0.0056nF,0.25pF,50V,N	1	SA	
CD11	2203-000233	C-CER,CHIP;0.1nF,5%,50V,COG,1005	1	SA		CD99	2203-005055	C-CER,CHIP;0.0056nF,0.25pF,50V,N	1	SA	
CD12	2203-000233	C-CER,CHIP;0.1nF,5%,50V,COG,1005	1	SA		CJ02	2203-000254	C-CER,CHIP;10nF,10%,16V,X7R,1005	1	SA	
CD13	2203-000233	C-CER,CHIP;0.1nF,5%,50V,COG,1005	1	SA		CJ03	2203-000254	C-CER,CHIP;10nF,10%,16V,X7R,1005	1	SA	
CD14	2203-000233	C-CER,CHIP;0.1nF,5%,50V,COG,1005	1	SA		CM01	2404-001064	C-TA,CHIP;10UF,20%,6.3V,WT,TP,20	1	SA	
CD15	2203-000233	C-CER,CHIP;0.1nF,5%,50V,COG,1005	1	SA		CM02	2203-002709	C-CER,CHIP;100nF,+80-20%,16V,Y5V	1	SA	
CD17	2203-006048	C-CER,CHIP;100nF,10%,10V,X7R,100	1	SA		CM03	2203-002709	C-CER,CHIP;100nF,+80-20%,16V,Y5V	1	SA	
CD18	2203-006048	C-CER,CHIP;100nF,10%,10V,X7R,100	1	SA		CM04	2203-002709	C-CER,CHIP;100nF,+80-20%,16V,Y5V	1	SA	
CD42	2203-000330	C-CER,CHIP;0.012nF,5%,50V,COG,10	1	SA		CM05	2203-002709	C-CER,CHIP;100nF,+80-20%,16V,Y5V	1	SA	
CD43	2203-000330	C-CER,CHIP;0.012nF,5%,50V,COG,10	1	SA		CM22	2203-002709	C-CER,CHIP;100nF,+80-20%,16V,Y5V	1	SA	
CD44	2203-002709	C-CER,CHIP;100nF,+80-20%,16V,Y5V	1	SA		CM23	2203-002709	C-CER,CHIP;100nF,+80-20%,16V,Y5V	1	SA	
CD45	2203-002709	C-CER,CHIP;100nF,+80-20%,16V,Y5V	1	SA		CM24	2203-002709	C-CER,CHIP;100nF,+80-20%,16V,Y5V	1	SA	
CD46	2203-006048	C-CER,CHIP;100nF,10%,10V,X7R,100	1	SA		CM25	2203-002709	C-CER,CHIP;100nF,+80-20%,16V,Y5V	1	SA	
CD47	2203-003039	C-CER,CHIP;0.008nF,0.25pF,50V,CO	1	SA		CM26	2203-002709	C-CER,CHIP;100nF,+80-20%,16V,Y5V	1	SA	
CD48	2203-003039	C-CER,CHIP;0.008nF,0.25pF,50V,CO	1	SA		CM27	2203-002709	C-CER,CHIP;100nF,+80-20%,16V,Y5V	1	SA	
CD49	2203-002709	C-CER,CHIP;100nF,+80-20%,16V,Y5V	1	SA		CM30	2203-002709	C-CER,CHIP;100nF,+80-20%,16V,Y5V	1	SA	
CD51	2203-002709	C-CER,CHIP;100nF,+80-20%,16V,Y5V	1	SA		CM02	2203-002709	C-CER,CHIP;100nF,+80-20%,16V,Y5V	1	SA	
						CM04	2203-002709	C-CER,CHIP;100nF,+80-20%,16V,Y5V	1	SA	

Loc.No	Part No	Description : Specification	Q'ty	S.N.A	Remark	Loc.No	Part No	Description : Specification	Q'ty	S.N.A	Remark
CN05	2203-000425	C-CER,CHIP;0.018nF,5%,50V,COG,10	1	SA		CS07	2203-000254	C-CER,CHIP;10nF,10%,16V,X7R,1005	1	SA	
CNA01	3711-002162	HEADER-BOARD TO CABLE;BOX,2P,1R,	1	SA		CS09	2203-000254	C-CER,CHIP;10nF,10%,16V,X7R,1005	1	SA	
CNA02	3711-005090	HEADER-BOARD TO CABLE;BOX,4P,1R,	1	SA		CS10	2203-000254	C-CER,CHIP;10nF,10%,16V,X7R,1005	1	SA	
CND01	3711-006331	HEADER-BOARD TO BOARD;BOX,20P,2R	1	SA		CS11	2203-006048	C-CER,CHIP;100nF,10%,10V,X7R,100	1	SA	
CNJ01	3711-006788	HEADER-BOARD TO BOARD;BOX,40P,2R	1	SA		CS12	2203-005627	C-CER,CHIP;470nF,10%,10V,X5R,160	1	SA	
CNJ02	3710-002686	SOCKET-BOARD TO BOARD;30P,2R,0.4	1	SA		CS13	2203-000254	C-CER,CHIP;10nF,10%,16V,X7R,1005	1	SA	
CNN01	3709-001450	CONNECTOR-CARD EDGE;12P,2.5MM,SM	1	SA		CS14	2203-000254	C-CER,CHIP;10nF,10%,16V,X7R,1005	1	SA	
CNS01	3710-001478	SOCKET-BOARD TO BOARD;18P,2R,1mm	1	SA		CS15	2203-002709	C-CER,CHIP;100nF,+80-20%,16V,Y5V	1	SA	
CNV01	3711-006445	HEADER-BOARD TO BOARD;BOX,20P,2R	1	SA		CS16	2404-001020	C-TA,CHIP;10uF,20%,10V,GP,TP,321	1	SA	
CNZ01	3708-002530	CONNECTOR-FPC/FFC/PIC;22P,0.5mm,	1	SA		CS17	2203-002709	C-CER,CHIP;100nF,+80-20%,16V,Y5V	1	SA	
CP03	2203-002709	C-CER,CHIP;100nF,+80-20%,16V,Y5V	1	SA		CS18	2203-002709	C-CER,CHIP;100nF,+80-20%,16V,Y5V	1	SA	
CP04	2203-006320	C-CER,CHIP;2200nF,10%,16V,X7R,TP	1	SA		CS19	2203-000254	C-CER,CHIP;10nF,10%,16V,X7R,1005	1	SA	
CP05	2203-006320	C-CER,CHIP;2200nF,10%,16V,X7R,TP	1	SA		CS20	2203-000254	C-CER,CHIP;10nF,10%,16V,X7R,1005	1	SA	
CP06	2203-006048	C-CER,CHIP;100nF,10%,10V,X7R,100	1	SA		CS31	2203-000254	C-CER,CHIP;10nF,10%,16V,X7R,1005	1	SA	
CP07	2203-000714	C-CER,CHIP;3.3nF,10%,50V,X7R,TP,	1	SA		CS81	2203-000254	C-CER,CHIP;10nF,10%,16V,X7R,1005	1	SA	
CP08	2203-006048	C-CER,CHIP;100nF,10%,10V,X7R,100	1	SA		CV11	2404-001064	C-TA,CHIP;10UF,20%,6.3V,WT,TP,20	1	SA	
CP09	2203-000585	C-CER,CHIP;0.22nF,10%,50V,X7R,10	1	SA		CV12	2203-002709	C-CER,CHIP;100nF,+80-20%,16V,Y5V	1	SA	
CP10	2203-000438	C-CER,CHIP;1nF,10%,50V,X7R,1005	1	SA		CV13	2404-001064	C-TA,CHIP;10UF,20%,6.3V,WT,TP,20	1	SA	
CP11	2203-000438	C-CER,CHIP;1nF,10%,50V,X7R,1005	1	SA		CV14	2203-002709	C-CER,CHIP;100nF,+80-20%,16V,Y5V	1	SA	
CP12	2203-006048	C-CER,CHIP;100nF,10%,10V,X7R,100	1	SA		CV15	2203-002793	C-CER,CHIP;1000nF,+80-20%,25V,Y5	1	SA	
CP13	2203-000940	C-CER,CHIP;0.47nF,10%,50V,X7R,10	1	SA		CV16	2203-000815	C-CER,CHIP;0.033nF,5%,50V,COG,16	1	SA	
CP15	2203-005344	C-CER,CHIP;22nF,10%,25V,X7R,TP,1	1	SA		CV17	2203-006048	C-CER,CHIP;100nF,10%,10V,X7R,100	1	SA	
CP16	2203-005344	C-CER,CHIP;22nF,10%,25V,X7R,TP,1	1	SA		CV18	2203-006048	C-CER,CHIP;100nF,10%,10V,X7R,100	1	SA	
CP17	2203-006320	C-CER,CHIP;2200nF,10%,16V,X7R,TP	1	SA		CV19	2203-005627	C-CER,CHIP;470nF,10%,10V,X5R,160	1	SA	
CP18	2203-006320	C-CER,CHIP;2200nF,10%,16V,X7R,TP	1	SA		CV20	2203-006048	C-CER,CHIP;100nF,10%,10V,X7R,100	1	SA	
CP19	2203-005344	C-CER,CHIP;22nF,10%,25V,X7R,TP,1	1	SA		CV21	2203-006048	C-CER,CHIP;100nF,10%,10V,X7R,100	1	SA	
CP20	2404-001325	C-TA,CHIP;22UF,20%,10V,WT,TP,321	1	SA		CV22	2203-002709	C-CER,CHIP;100nF,+80-20%,16V,Y5V	1	SA	
CP21	2203-006320	C-CER,CHIP;2200nF,10%,16V,X7R,TP	1	SA		CV23	2203-002709	C-CER,CHIP;100nF,+80-20%,16V,Y5V	1	SA	
CP22	2203-006320	C-CER,CHIP;2200nF,10%,16V,X7R,TP	1	SA		CZ01	2203-002709	C-CER,CHIP;100nF,+80-20%,16V,Y5V	1	SA	
CP23	2404-001020	C-TA,CHIP;10uF,20%,10V,GP,TP,321	1	SA		CZ02	2203-005065	C-CER,CHIP;1000nF,+80-20%,10V,Y5	1	SA	
CP24	2203-002793	C-CER,CHIP;1000nF,+80-20%,25V,Y5	1	SA		CZ03	2203-006048	C-CER,CHIP;100nF,10%,10V,X7R,100	1	SA	
CP25	2203-002793	C-CER,CHIP;1000nF,+80-20%,25V,Y5	1	SA		CZ04	2203-005655	C-CER,CHIP;1000nF,10%,6.3V,X5R,1	1	SA	
CP26	2203-006320	C-CER,CHIP;2200nF,10%,16V,X7R,TP	1	SA		CZ05	2203-006048	C-CER,CHIP;100nF,10%,10V,X7R,100	1	SA	
CP27	2203-002793	C-CER,CHIP;1000nF,+80-20%,25V,Y5	1	SA		CZ06	2203-005655	C-CER,CHIP;1000nF,10%,6.3V,X5R,1	1	SA	
CP28	2203-002793	C-CER,CHIP;1000nF,+80-20%,25V,Y5	1	SA		CZ07	2203-006048	C-CER,CHIP;100nF,10%,10V,X7R,100	1	SA	
CP29	2203-002793	C-CER,CHIP;1000nF,+80-20%,25V,Y5	1	SA		CZ09	2203-000438	C-CER,CHIP;1nF,10%,50V,X7R,1005	1	SA	
CP35	2203-006320	C-CER,CHIP;2200nF,10%,16V,X7R,TP	1	SA		CZ10	2203-001432	C-CER,CHIP;47nF,+80-20%,16V,Y5V,	1	SA	
CP36	2404-001325	C-TA,CHIP;22UF,20%,10V,WT,TP,321	1	SA		CZ11	2203-000438	C-CER,CHIP;1nF,10%,50V,X7R,1005	1	SA	
CP38	2203-006320	C-CER,CHIP;2200nF,10%,16V,X7R,TP	1	SA		CZ12	2203-006048	C-CER,CHIP;100nF,10%,10V,X7R,100	1	SA	
CP39	2203-006320	C-CER,CHIP;2200nF,10%,16V,X7R,TP	1	SA		CZ13	2203-006047	C-CER,CHIP;33nF,10%,16V,X7R,1005	1	SA	
CP40	2404-001020	C-TA,CHIP;10uF,20%,10V,GP,TP,321	1	SA		CZ14	2203-000714	C-CER,CHIP;3.3nF,10%,50V,X7R,TP,	1	SA	
CP42	2203-002793	C-CER,CHIP;1000nF,+80-20%,25V,Y5	1	SA		CZ15	2203-006048	C-CER,CHIP;100nF,10%,10V,X7R,100	1	SA	
CP43	2203-006320	C-CER,CHIP;2200nF,10%,16V,X7R,TP	1	SA		CZ16	2203-000254	C-CER,CHIP;10nF,10%,16V,X7R,1005	1	SA	
CP44	2203-006320	C-CER,CHIP;2200nF,10%,16V,X7R,TP	1	SA		CZ17	2203-002709	C-CER,CHIP;100nF,+80-20%,16V,Y5V	1	SA	
CP45	2203-006320	C-CER,CHIP;2200nF,10%,16V,X7R,TP	1	SA		CZ18	2203-006048	C-CER,CHIP;100nF,10%,10V,X7R,100	1	SA	
CP46	2404-001325	C-TA,CHIP;22UF,20%,10V,WT,TP,321	1	SA		CZ21	2404-001064	C-TA,CHIP;10UF,20%,6.3V,WT,TP,20	1	SA	
CP51	2203-002793	C-CER,CHIP;1000nF,+80-20%,25V,Y5	1	SA		CZ22	2203-002709	C-CER,CHIP;100nF,+80-20%,16V,Y5V	1	SA	
CP52	2203-006320	C-CER,CHIP;2200nF,10%,16V,X7R,TP	1	SA		CZ23	2404-001020	C-TA,CHIP;10uF,20%,10V,GP,TP,321	1	SA	
CP53	2203-005921	C-CER,CHIP;1000nF,20%,4V,X5R,TP	1	SA		CZ24	2203-002709	C-CER,CHIP;100nF,+80-20%,16V,Y5V	1	SA	
CP54	2404-001247	C-TA,CHIP;22UF,20%,4V,WT,TP,2012	1	SA		CZ25	2404-001020	C-TA,CHIP;10uF,20%,10V,GP,TP,321	1	SA	
CP55	2203-005344	C-CER,CHIP;22nF,10%,25V,X7R,TP,1	1	SA		CZ26	2203-002709	C-CER,CHIP;100nF,+80-20%,16V,Y5V	1	SA	
CP56	2203-005344	C-CER,CHIP;22nF,10%,25V,X7R,TP,1	1	SA		CZ27	2203-006048	C-CER,CHIP;100nF,10%,10V,X7R,100	1	SA	
CP57	2203-000940	C-CER,CHIP;0.47nF,10%,50V,X7R,10	1	SA		DP01	0401-001059	DIODE-SWITCHING;1SS362,80V,80MA,	1	SA	
CP59	2203-002793	C-CER,CHIP;1000nF,+80-20%,25V,Y5	1	SA		DS03	0401-001110	DIODE-SWITCHING;-80V,100MA,SOD-	1	SA	
CP60	2203-002793	C-CER,CHIP;1000nF,+80-20%,25V,Y5	1	SA		ICA01	1205-002877	IC-CODEC;AK4642EN,QFN,32P,5x5mm,	1	SA	
CS01	2203-000278	C-CER,CHIP;0.01nF,0.5pF,50V,COG,	1	SA		ICA02	1201-002413	IC-VIDEO AMP;MAX9502GELT,uDFN,6P	1	SA	
CS02	2203-003039	C-CER,CHIP;0.008nF,0.25pF,50V,CO	1	SA		ICD01	AD13-00049A	IC-DSP-NIKE;S5C7329X01,440Pin,15	1	SNA	
CS03	2203-005627	C-CER,CHIP;470nF,10%,10V,X5R,160	1	SA		ICM01	1107-001762	IC-NOR FLASH;S29GL064N90TFI040,6	1	SNA	
CS04	2203-002709	C-CER,CHIP;100nF,+80-20%,16V,Y5V	1	SA		ICM02	1105-001823	IC-DRAM;HYB25DC512160,DDR,512Mbi	1	SA	
CS06	2203-000254	C-CER,CHIP;10nF,10%,16V,X7R,1005	1	SA							

Exploded Views and Parts List

Loc.No	Part No	Description : Specification	Q'ty	S.N.A	Remark	Loc.No	Part No	Description : Specification	Q'ty	S.N.A	Remark
ICP01	1203-003567	IC-PWM CONTROLLER;BD9833KV,VQFP,	1	SA		RA15	2007-000140	R-CHIP;1Kohm,5%,1/16W,TP,1005	1	SA	
ICS01	AD09-00292A	IC MICOM;UPD78F0535GA-9EV-A,SC-M	1	SNA		RA18	2007-000140	R-CHIP;1Kohm,5%,1/16W,TP,1005	1	SA	
ICS02	1203-003113	IC-POSI;FIXED REG;-S-8424A,TSSOP	1	SA		RA19	2007-000140	R-CHIP;1Kohm,5%,1/16W,TP,1005	1	SA	
ICS03	1009-001010	IC-HALL EFFECT SW;A3212ELH/HED5	1	SA		RA20	2007-008015	R-CHIP;75ohm,1%,1/16W,TP,1005	1	SA	
ICV11	1002-001449	IC-A/D CONVERTER;VSP2582RHN,12,Q	1	SA		RA21	2007-000140	R-CHIP;1Kohm,5%,1/16W,TP,1005	1	SA	
ICZ01	1003-001988	IC-MOTOR DRIVER;uPD168104,WQFN,5	1	SA		RA22	2007-000162	R-CHIP;100Kohm,5%,1/16W,TP,1005	1	SA	
						RA26	2007-000171	R-CHIP;0ohm,5%,1/16W,TP,1005	1	SA	
JA03	3722-002179	JACK-EAR PHONE;5P/4C,-,AU30U,BLK	1	SA		RA27	2007-000171	R-CHIP;0ohm,5%,1/16W,TP,1005	1	SA	
JJ02	3722-001741	JACK-MINI USB;5P/1C,AU30U,BLK,SM	1	SA		RA29	2007-000148	R-CHIP;10Kohm,5%,1/16W,TP,1005	1	SA	
LA01	2703-002723	INDUCTOR-SMD;22UH,10%,2012	1	SA		RA30	2007-000148	R-CHIP;10Kohm,5%,1/16W,TP,1005	1	SA	
LA02	2703-002723	INDUCTOR-SMD;22UH,10%,2012	1	SA		RA35	2007-000171	R-CHIP;0ohm,5%,1/16W,TP,1005	1	SA	
LA03	2703-001863	INDUCTOR-SMD;6.8uH,20%,2520	1	SA		RA36	2007-000171	R-CHIP;0ohm,5%,1/16W,TP,1005	1	SA	
LA04	2703-002727	INDUCTOR-SMD;4.7uH,20%,2012	1	SA		RA37	2007-000140	R-CHIP;1Kohm,5%,1/16W,TP,1005	1	SA	
LD81	3301-001649	BEAD-SMD;180ohm,1608,-,TP,-,226o	1	SA		RA38	2007-000171	R-CHIP;0ohm,5%,1/16W,TP,1005	1	SA	
LD82	3301-001649	BEAD-SMD;180ohm,1608,-,TP,-,226o	1	SA		RA39	2007-000148	R-CHIP;10Kohm,5%,1/16W,TP,1005	1	SA	
LD83	3301-001649	BEAD-SMD;180ohm,1608,-,TP,-,226o	1	SA		RA40	2007-000141	R-CHIP;2.2Kohm,5%,1/16W,TP,1005	1	SA	
LD84	3301-001649	BEAD-SMD;180ohm,1608,-,TP,-,226o	1	SA		RA41	2007-000141	R-CHIP;2.2Kohm,5%,1/16W,TP,1005	1	SA	
LD85	3301-001649	BEAD-SMD;180ohm,1608,-,TP,-,226o	1	SA		RD01	2007-000173	R-CHIP;22ohm,5%,1/16W,TP,1005	1	SA	
LD86	3301-001649	BEAD-SMD;180ohm,1608,-,TP,-,226o	1	SA		RD02	2007-000172	R-CHIP;10ohm,5%,1/16W,TP,1005	1	SA	
LD87	3301-001649	BEAD-SMD;180ohm,1608,-,TP,-,226o	1	SA		RD03	2007-000172	R-CHIP;10ohm,5%,1/16W,TP,1005	1	SA	
LM01	2703-002727	INDUCTOR-SMD;4.7uH,20%,2012	1	SA		RD05	2007-000171	R-CHIP;0ohm,5%,1/16W,TP,1005	1	SA	
LN01	2703-002727	INDUCTOR-SMD;4.7uH,20%,2012	1	SA		RD08	2007-000162	R-CHIP;100Kohm,5%,1/16W,TP,1005	1	SA	
LP01	2703-002776	INDUCTOR-SMD;22uH,20%,4x4mm	1	SA		RD09	2007-000138	R-CHIP;100ohm,5%,1/16W,TP,1005	1	SA	
LP02	2703-002776	INDUCTOR-SMD;22uH,20%,4x4mm	1	SA		RD10	3301-001810	BEAD-SMD;240ohm,1005,TP,175ohm/1	1	SA	
LP03	2703-001863	INDUCTOR-SMD;6.8uH,20%,2520	1	SA		RD100	2007-007306	R-CHIP;100ohm,1%,1/16W,TP,1005	1	SA	
LP04	2703-002776	INDUCTOR-SMD;22uH,20%,4x4mm	1	SA		RD101	2007-000162	R-CHIP;100Kohm,5%,1/16W,TP,1005	1	SA	
LP05	2703-002723	INDUCTOR-SMD;22UH,10%,2012	1	SA		RD102	2007-007306	R-CHIP;100ohm,1%,1/16W,TP,1005	1	SA	
LP07	2703-002776	INDUCTOR-SMD;22uH,20%,4x4mm	1	SA		RD103	2007-007306	R-CHIP;100ohm,1%,1/16W,TP,1005	1	SA	
LP09	2703-002776	INDUCTOR-SMD;22uH,20%,4x4mm	1	SA		RD105	2007-000148	R-CHIP;10Kohm,5%,1/16W,TP,1005	1	SA	
LP10	2703-002724	INDUCTOR-SMD;10uH,10%,2012	1	SA		RD106	2007-000148	R-CHIP;10Kohm,5%,1/16W,TP,1005	1	SA	
LP12	2703-002776	INDUCTOR-SMD;22uH,20%,4x4mm	1	SA		RD107	2007-001119	R-CHIP;680ohm,5%,1/16W,TP,1005	1	SA	
LP13	2703-002776	INDUCTOR-SMD;22uH,20%,4x4mm	1	SA		RD108	2007-000162	R-CHIP;100Kohm,5%,1/16W,TP,1005	1	SA	
LV11	2703-002727	INDUCTOR-SMD;4.7uH,20%,2012	1	SA		RD109	2007-000162	R-CHIP;100Kohm,5%,1/16W,TP,1005	1	SA	
LV12	2703-002727	INDUCTOR-SMD;4.7uH,20%,2012	1	SA		RD11	3301-001810	BEAD-SMD;240ohm,1005,TP,175ohm/1	1	SA	
LZ21	2703-002723	INDUCTOR-SMD;22UH,10%,2012	1	SA		RD12	2007-000140	R-CHIP;1Kohm,5%,1/16W,TP,1005	1	SA	
LZ22	2703-002723	INDUCTOR-SMD;22UH,10%,2012	1	SA		RD13	3301-001810	BEAD-SMD;240ohm,1005,TP,175ohm/1	1	SA	
LZ23	2703-002723	INDUCTOR-SMD;22UH,10%,2012	1	SA		RD14	3301-001810	BEAD-SMD;240ohm,1005,TP,175ohm/1	1	SA	
P382	AD97-08500A	ASSY JACK-DC;TC18-431-01,DELTA2-	1	SA		RD15	3301-001810	BEAD-SMD;240ohm,1005,TP,175ohm/1	1	SA	
PCB	AD41-01181A	PCB-MAIN;MX20-PJ,FR-4,8L,00,1.0T	0.5	SNA		RD16	3301-001810	BEAD-SMD;240ohm,1005,TP,175ohm/1	1	SA	
Q120	0506-001066	TR-ARRAY;UMF5,NPN/PNP,2,150mW,SC	1	SA		RD17	3301-001810	BEAD-SMD;240ohm,1005,TP,175ohm/1	1	SA	
QP01	0505-001725	FET-SILICON;MCH5818,P,-12V,-1.5A	1	SA		RD18	3301-001810	BEAD-SMD;240ohm,1005,TP,175ohm/1	1	SA	
QP02	0504-000168	TR-DIGITAL;RN1104,NPN,100mW,47K/	1	SA		RD19	3301-001810	BEAD-SMD;240ohm,1005,TP,175ohm/1	1	SA	
QP03	0505-001725	FET-SILICON;MCH5818,P,-12V,-1.5A	1	SA		RD20	3301-001810	BEAD-SMD;240ohm,1005,TP,175ohm/1	1	SA	
QP04	0501-000225	TR-SMALL SIGNAL;2SC4617,NPN,200m	1	SA		RD21	3301-001810	BEAD-SMD;240ohm,1005,TP,175ohm/1	1	SA	
QP05	0505-001646	FET/SBD;MCH5803,N,30V,1.4A,370MO	1	SA		RD22	2007-000162	R-CHIP;100Kohm,5%,1/16W,TP,1005	1	SA	
QP09	0505-001725	FET-SILICON;MCH5818,P,-12V,-1.5A	1	SA		RD23	2007-000162	R-CHIP;100Kohm,5%,1/16W,TP,1005	1	SA	
QP11	0505-001725	FET-SILICON;MCH5818,P,-12V,-1.5A	1	SA		RD24	2007-000162	R-CHIP;100Kohm,5%,1/16W,TP,1005	1	SA	
QP12	0505-001725	FET-SILICON;MCH5818,P,-12V,-1.5A	1	SA		RD26	2007-000162	R-CHIP;100Kohm,5%,1/16W,TP,1005	1	SA	
QP13	0505-001725	FET-SILICON;MCH5818,P,-12V,-1.5A	1	SA		RD29	2007-000171	R-CHIP;0ohm,5%,1/16W,TP,1005	1	SA	
QP15	0504-001102	TR-DIGITAL;EMD3,NPN/PNP,150mW,10	1	SA		RD31	2007-000171	R-CHIP;0ohm,5%,1/16W,TP,1005	1	SA	
QP19	0506-001066	TR-ARRAY;UMF5,NPN/PNP,2,150mW,SC	1	SA		RD32	2007-000162	R-CHIP;100Kohm,5%,1/16W,TP,1005	1	SA	
QP21	0501-000552	TR-SMALL SIGNAL;2SA1774-Q,P,NP,15	1	SA		RD34	2007-000148	R-CHIP;10Kohm,5%,1/16W,TP,1005	1	SA	
QP22	0504-001102	TR-DIGITAL;EMD3,NPN/PNP,150mW,10	1	SA		RD35	2007-000148	R-CHIP;10Kohm,5%,1/16W,TP,1005	1	SA	
QP23	0504-001102	TR-DIGITAL;EMD3,NPN/PNP,150mW,10	1	SA		RD36	2007-000162	R-CHIP;100Kohm,5%,1/16W,TP,1005	1	SA	
QP51	0506-001066	TR-ARRAY;UMF5,NPN/PNP,2,150mW,SC	1	SA		RD37	2007-000148	R-CHIP;10Kohm,5%,1/16W,TP,1005	1	SA	
QS01	0506-001066	TR-ARRAY;UMF5,NPN/PNP,2,150mW,SC	1	SA		RD38	2007-000148	R-CHIP;10Kohm,5%,1/16W,TP,1005	1	SA	
QZ07	0501-000225	TR-SMALL SIGNAL;2SC4617,NPN,200m	1	SA		RD41	2007-000171	R-CHIP;0ohm,5%,1/16W,TP,1005	1	SA	
QZ21	0504-001025	TR-DIGITAL;DTC143EE,NPN,150mW,4.	1	SA		RD42	2007-000173	R-CHIP;22ohm,5%,1/16W,TP,1005	1	SA	
RA09	2007-000171	R-CHIP;0ohm,5%,1/16W,TP,1005	1	SA		RD43	2007-000170	R-CHIP;1Mohm,5%,1/16W,TP,1005	1	SA	
RA10	2007-000162	R-CHIP;100Kohm,5%,1/16W,TP,1005	1	SA							



Loc.No	Part No	Description : Specification	Q'ty	S.N.A	Remark	Loc.No	Part No	Description : Specification	Q'ty	S.N.A	Remark
RD44	2007-000162	R-CHIP;100Kohm,5%,1/16W,TP,1005	1	SA		RP05	2007-007946	R-CHIP;470Kohm,1%,1/16W,TP,1005	1	SA	
RD46	2007-000162	R-CHIP;100Kohm,5%,1/16W,TP,1005	1	SA		RP06	2007-007946	R-CHIP;470Kohm,1%,1/16W,TP,1005	1	SA	
RD47	2007-000148	R-CHIP;10Kohm,5%,1/16W,TP,1005	1	SA		RP07	2007-000152	R-CHIP;20Kohm,5%,1/16W,TP,1005	1	SA	
RD49	2007-000170	R-CHIP;1Mohm,5%,1/16W,TP,1005	1	SA		RP08	2007-000162	R-CHIP;100Kohm,5%,1/16W,TP,1005	1	SA	
RD52	2007-000142	R-CHIP;2.7Kohm,5%,1/16W,TP,1005	1	SA		RP09	2007-000162	R-CHIP;100Kohm,5%,1/16W,TP,1005	1	SA	
RD53	2007-000142	R-CHIP;2.7Kohm,5%,1/16W,TP,1005	1	SA		RP10	2007-007134	R-CHIP;39Kohm,1%,1/16W,TP,1005	1	SA	
RD54	2007-000142	R-CHIP;2.7Kohm,5%,1/16W,TP,1005	1	SA		RP11	2007-000152	R-CHIP;20Kohm,5%,1/16W,TP,1005	1	SA	
RD55	2007-000159	R-CHIP;56Kohm,5%,1/16W,TP,1005	1	SA		RP13	2007-000982	R-CHIP;5.6Kohm,5%,1/16W,TP,1005	1	SA	
RD56	2007-000775	R-CHIP;33Kohm,5%,1/16W,TP,1005	1	SA		RP14	2007-000982	R-CHIP;5.6Kohm,5%,1/16W,TP,1005	1	SA	
RD57	2007-000159	R-CHIP;56Kohm,5%,1/16W,TP,1005	1	SA		RP15	2007-000982	R-CHIP;5.6Kohm,5%,1/16W,TP,1005	1	SA	
RD58	2007-000775	R-CHIP;33Kohm,5%,1/16W,TP,1005	1	SA		RP16	2007-007132	R-CHIP;15Kohm,1%,1/16W,TP,1005	1	SA	
RD59	2007-000159	R-CHIP;56Kohm,5%,1/16W,TP,1005	1	SA		RP17	2007-007142	R-CHIP;10Kohm,1%,1/16W,TP,1005	1	SA	
RD60	2007-000775	R-CHIP;33Kohm,5%,1/16W,TP,1005	1	SA		RP20	2007-000171	R-CHIP;0ohm,5%,1/16W,TP,1005	1	SA	
RD84	2007-000148	R-CHIP;10Kohm,5%,1/16W,TP,1005	1	SA		RP21	2007-008037	R-CHIP;57.6Kohm,1%,1/16W,TP,1005	1	SA	
RD85	2007-000148	R-CHIP;10Kohm,5%,1/16W,TP,1005	1	SA		RP22	2007-007318	R-CHIP;1Kohm,1%,1/16W,TP,1005	1	SA	
RD86	2007-000148	R-CHIP;10Kohm,5%,1/16W,TP,1005	1	SA		RP23	2007-007470	R-CHIP;7.5Kohm,1%,1/16W,TP,1005	1	SA	
RD87	2007-000148	R-CHIP;10Kohm,5%,1/16W,TP,1005	1	SA		RP24	2007-007318	R-CHIP;1Kohm,1%,1/16W,TP,1005	1	SA	
RD88	2007-000140	R-CHIP;1Kohm,5%,1/16W,TP,1005	1	SA		RP25	2007-007318	R-CHIP;1Kohm,1%,1/16W,TP,1005	1	SA	
RD91	2007-000140	R-CHIP;1Kohm,5%,1/16W,TP,1005	1	SA		RP26	2007-007309	R-CHIP;12Kohm,1%,1/16W,TP,1005	1	SA	
RD92	2007-000171	R-CHIP;0ohm,5%,1/16W,TP,1005	1	SA		RP28	2007-008300	R-CHIP;5.11Kohm,1%,1/16W,TP,1005	1	SA	
RD93	2007-000171	R-CHIP;0ohm,5%,1/16W,TP,1005	1	SA		RP29	2007-007138	R-CHIP;27Kohm,1%,1/16W,TP,1005	1	SA	
RD94	2007-000172	R-CHIP;10ohm,5%,1/16W,TP,1005	1	SA		RP30	2007-008037	R-CHIP;57.6Kohm,1%,1/16W,TP,1005	1	SA	
RD95	2007-000172	R-CHIP;10ohm,5%,1/16W,TP,1005	1	SA		RP36	2007-000153	R-CHIP;22Kohm,5%,1/16W,TP,1005	1	SA	
RD96	2007-000172	R-CHIP;10ohm,5%,1/16W,TP,1005	1	SA		RP37	2007-001325	R-CHIP;3.3Kohm,5%,1/16W,TP,1005	1	SA	
RD97	2007-000138	R-CHIP;10ohm,5%,1/16W,TP,1005	1	SA		RP42	2007-000153	R-CHIP;22Kohm,5%,1/16W,TP,1005	1	SA	
RD98	2007-000138	R-CHIP;10ohm,5%,1/16W,TP,1005	1	SA		RP43	2007-001325	R-CHIP;3.3Kohm,5%,1/16W,TP,1005	1	SA	
RJ01	2007-000171	R-CHIP;0ohm,5%,1/16W,TP,1005	1	SA		RP51	2007-007318	R-CHIP;1Kohm,1%,1/16W,TP,1005	1	SA	
RJ02	2007-000171	R-CHIP;0ohm,5%,1/16W,TP,1005	1	SA		RP52	2007-008391	R-CHIP;6.34Kohm,1%,1/16W,TP,1005	1	SA	
RJ05	2007-000566	R-CHIP;220Kohm,5%,1/16W,TP,1005	1	SA		RP53	2007-008417	R-CHIP;34Kohm,1%,1/16W,TP,1005	1	SA	
RJ06	2007-000163	R-CHIP;120Kohm,5%,1/16W,TP,1005	1	SA		RP54	2007-000982	R-CHIP;5.6Kohm,5%,1/16W,TP,1005	1	SA	
RJ07	2007-000164	R-CHIP;150Kohm,5%,1/16W,TP,1005	1	SA		RP55	2007-007142	R-CHIP;10Kohm,1%,1/16W,TP,1005	1	SA	
RJ08	2007-000566	R-CHIP;220Kohm,5%,1/16W,TP,1005	1	SA		RP56	2007-007132	R-CHIP;15Kohm,1%,1/16W,TP,1005	1	SA	
RM01	2007-000162	R-CHIP;100Kohm,5%,1/16W,TP,1005	1	SA		RP57	2007-007309	R-CHIP;12Kohm,1%,1/16W,TP,1005	1	SA	
RM02	2007-000162	R-CHIP;100Kohm,5%,1/16W,TP,1005	1	SA		RP58	2007-000982	R-CHIP;5.6Kohm,5%,1/16W,TP,1005	1	SA	
RM04	2007-000162	R-CHIP;100Kohm,5%,1/16W,TP,1005	1	SA		RP59	2007-000171	R-CHIP;0ohm,5%,1/16W,TP,1005	1	SA	
RM06	2007-000162	R-CHIP;100Kohm,5%,1/16W,TP,1005	1	SA		RP60	2007-007138	R-CHIP;27Kohm,1%,1/16W,TP,1005	1	SA	
RM16	2007-000171	R-CHIP;0ohm,5%,1/16W,TP,1005	1	SA		RP61	2007-007313	R-CHIP;6.8Kohm,1%,1/16W,TP,1005	1	SA	
RM17	2007-000171	R-CHIP;0ohm,5%,1/16W,TP,1005	1	SA		RP62	2007-000152	R-CHIP;20Kohm,5%,1/16W,TP,1005	1	SA	
RM18	2007-000171	R-CHIP;0ohm,5%,1/16W,TP,1005	1	SA		RP75	2007-008391	R-CHIP;6.34Kohm,1%,1/16W,TP,1005	1	SA	
RM19	2007-000171	R-CHIP;0ohm,5%,1/16W,TP,1005	1	SA		RP76	2007-007312	R-CHIP;20Kohm,1%,1/16W,TP,1005	1	SA	
RM21	2007-007142	R-CHIP;10Kohm,1%,1/16W,TP,1005	1	SA		RP91	2007-001325	R-CHIP;3.3Kohm,5%,1/16W,TP,1005	1	SA	
RM22	2007-007142	R-CHIP;10Kohm,1%,1/16W,TP,1005	1	SA		RP92	2007-000153	R-CHIP;22Kohm,5%,1/16W,TP,1005	1	SA	
RM45	2007-000162	R-CHIP;100Kohm,5%,1/16W,TP,1005	1	SA		RS05	2007-000140	R-CHIP;1Kohm,5%,1/16W,TP,1005	1	SA	
RM46	2007-000162	R-CHIP;100Kohm,5%,1/16W,TP,1005	1	SA		RS06	2007-000148	R-CHIP;10Kohm,5%,1/16W,TP,1005	1	SA	
RM47	2007-000162	R-CHIP;100Kohm,5%,1/16W,TP,1005	1	SA		RS08	2007-000162	R-CHIP;100Kohm,5%,1/16W,TP,1005	1	SA	
RM48	2007-000162	R-CHIP;100Kohm,5%,1/16W,TP,1005	1	SA		RS09	2007-000162	R-CHIP;100Kohm,5%,1/16W,TP,1005	1	SA	
RM49	2007-000171	R-CHIP;0ohm,5%,1/16W,TP,1005	1	SA		RS11	2007-000140	R-CHIP;1Kohm,5%,1/16W,TP,1005	1	SA	
RM50	2007-000171	R-CHIP;0ohm,5%,1/16W,TP,1005	1	SA		RS15	2007-000140	R-CHIP;1Kohm,5%,1/16W,TP,1005	1	SA	
RN01	2007-000162	R-CHIP;100Kohm,5%,1/16W,TP,1005	1	SA		RS17	2007-000162	R-CHIP;100Kohm,5%,1/16W,TP,1005	1	SA	
RN02	2007-000148	R-CHIP;10Kohm,5%,1/16W,TP,1005	1	SA		RS18	2007-000140	R-CHIP;1Kohm,5%,1/16W,TP,1005	1	SA	
RN03	2007-000162	R-CHIP;100Kohm,5%,1/16W,TP,1005	1	SA		RS20	2007-000140	R-CHIP;1Kohm,5%,1/16W,TP,1005	1	SA	
RN04	2007-000157	R-CHIP;47Kohm,5%,1/16W,TP,1005	1	SA		RS25	2007-000143	R-CHIP;4.7Kohm,5%,1/16W,TP,1005	1	SA	
RN05	2007-000157	R-CHIP;47Kohm,5%,1/16W,TP,1005	1	SA		RS26	2007-000140	R-CHIP;1Kohm,5%,1/16W,TP,1005	1	SA	
RN06	2007-000157	R-CHIP;47Kohm,5%,1/16W,TP,1005	1	SA		RS27	2007-000162	R-CHIP;100Kohm,5%,1/16W,TP,1005	1	SA	
RN07	2007-000157	R-CHIP;47Kohm,5%,1/16W,TP,1005	1	SA		RS28	2007-000140	R-CHIP;1Kohm,5%,1/16W,TP,1005	1	SA	
RP01	2007-007318	R-CHIP;1Kohm,1%,1/16W,TP,1005	1	SA		RS29	2007-007107	R-CHIP;100Kohm,1%,1/16W,TP,1005	1	SA	
RP02	2007-007312	R-CHIP;20Kohm,1%,1/16W,TP,1005	1	SA		RS30	2007-000162	R-CHIP;100Kohm,5%,1/16W,TP,1005	1	SA	
RP03	2007-007142	R-CHIP;10Kohm,1%,1/16W,TP,1005	1	SA		RS36	2007-000162	R-CHIP;100Kohm,5%,1/16W,TP,1005	1	SA	
RP04	2007-007309	R-CHIP;12Kohm,1%,1/16W,TP,1005	1	SA		RS37	2007-000148	R-CHIP;10Kohm,5%,1/16W,TP,1005	1	SA	

Exploded Views and Parts List

Loc.No	Part No	Description : Specification	Q'ty	S.N.A	Remark
RS38	2007-000148	R-CHIP:10Kohm,5%,1/16W,TP,1005	1	SA	
RS39	2007-000148	R-CHIP:10Kohm,5%,1/16W,TP,1005	1	SA	
RS40	2007-000148	R-CHIP:10Kohm,5%,1/16W,TP,1005	1	SA	
RS42	2007-000140	R-CHIP:1Kohm,5%,1/16W,TP,1005	1	SA	
RS43	2007-000170	R-CHIP:1Mohm,5%,1/16W,TP,1005	1	SA	
RS44	2007-000153	R-CHIP:22Kohm,5%,1/16W,TP,1005	1	SA	
RS45	2007-001325	R-CHIP:3.3Kohm,5%,1/16W,TP,1005	1	SA	
RS46	2007-000171	R-CHIP:0ohm,5%,1/16W,TP,1005	1	SA	
RS47	2007-000171	R-CHIP:0ohm,5%,1/16W,TP,1005	1	SA	
RS48	2007-000171	R-CHIP:0ohm,5%,1/16W,TP,1005	1	SA	
RS49	2007-000171	R-CHIP:0ohm,5%,1/16W,TP,1005	1	SA	
RS50	2007-000162	R-CHIP:100Kohm,5%,1/16W,TP,1005	1	SA	
RS51	2007-000148	R-CHIP:10Kohm,5%,1/16W,TP,1005	1	SA	
RS53	2007-000162	R-CHIP:100Kohm,5%,1/16W,TP,1005	1	SA	
RS54	2007-000140	R-CHIP:1Kohm,5%,1/16W,TP,1005	1	SA	
RS56	2007-000140	R-CHIP:1Kohm,5%,1/16W,TP,1005	1	SA	
RS62	2007-000171	R-CHIP:0ohm,5%,1/16W,TP,1005	1	SA	
RS63	2007-000171	R-CHIP:0ohm,5%,1/16W,TP,1005	1	SA	
RS71	2007-000148	R-CHIP:10Kohm,5%,1/16W,TP,1005	1	SA	
RS72	2007-000140	R-CHIP:1Kohm,5%,1/16W,TP,1005	1	SA	
RS81	2007-000140	R-CHIP:1Kohm,5%,1/16W,TP,1005	1	SA	
RS82	2007-000148	R-CHIP:10Kohm,5%,1/16W,TP,1005	1	SA	
RV11	2007-000083	R-CHIP:3Kohm,5%,1/10W,TP,1608	1	SA	
RZ01	2007-000143	R-CHIP:4.7Kohm,5%,1/16W,TP,1005	1	SA	
RZ02	2007-000148	R-CHIP:10Kohm,5%,1/16W,TP,1005	1	SA	
RZ03	2007-000162	R-CHIP:100Kohm,5%,1/16W,TP,1005	1	SA	
RZ04	2007-007001	R-CHIP:3.9Kohm,5%,1/16W,TP,1005	1	SA	
RZ05	2007-000153	R-CHIP:22Kohm,5%,1/16W,TP,1005	1	SA	
RZ06	2007-007138	R-CHIP:27Kohm,1%,1/16W,TP,1005	1	SA	
RZ07	2007-000156	R-CHIP:30Kohm,5%,1/16W,TP,1005	1	SA	
RZ08	2007-000162	R-CHIP:100Kohm,5%,1/16W,TP,1005	1	SA	
RZ09	2007-000775	R-CHIP:33Kohm,5%,1/16W,TP,1005	1	SA	
RZ10	2007-000157	R-CHIP:47Kohm,5%,1/16W,TP,1005	1	SA	
RZ11	2007-000164	R-CHIP:150Kohm,5%,1/16W,TP,1005	1	SA	
RZ12	2007-000142	R-CHIP:2.7Kohm,5%,1/16W,TP,1005	1	SA	
RZ13	2007-000162	R-CHIP:100Kohm,5%,1/16W,TP,1005	1	SA	
RZ14	2007-000143	R-CHIP:4.7Kohm,5%,1/16W,TP,1005	1	SA	
RZ15	2007-000162	R-CHIP:100Kohm,5%,1/16W,TP,1005	1	SA	
RZ16	2007-001325	R-CHIP:3.3Kohm,5%,1/16W,TP,1005	1	SA	
RZ17	2007-000162	R-CHIP:100Kohm,5%,1/16W,TP,1005	1	SA	
RZ18	2007-000162	R-CHIP:100Kohm,5%,1/16W,TP,1005	1	SA	
RZ19	2007-001313	R-CHIP:330ohm,5%,1/16W,TP,1005	1	SA	
RZ20	2007-000153	R-CHIP:22Kohm,5%,1/16W,TP,1005	1	SA	
RZ21	2007-000636	R-CHIP:270Kohm,5%,1/16W,TP,1005	1	SA	
RZ22	2007-000148	R-CHIP:10Kohm,5%,1/16W,TP,1005	1	SA	
RZ24	2007-000159	R-CHIP:56Kohm,5%,1/16W,TP,1005	1	SA	
RZ25	2007-007312	R-CHIP:20Kohm,1%,1/16W,TP,1005	1	SA	
RZ26	2007-000159	R-CHIP:56Kohm,5%,1/16W,TP,1005	1	SA	
RZ27	2007-000143	R-CHIP:4.7Kohm,5%,1/16W,TP,1005	1	SA	
RZ30	2007-001307	R-CHIP:180ohm,5%,1/16W,TP,1005	1	SA	
RZ31	2007-001307	R-CHIP:180ohm,5%,1/16W,TP,1005	1	SA	
RZ32	2007-000162	R-CHIP:100Kohm,5%,1/16W,TP,1005	1	SA	
SWS01	3404-001216	SWITCH-TACT;12V DC,20mA,160gf,4.	1	SA	
SWS02	3404-001216	SWITCH-TACT;12V DC,20mA,160gf,4.	1	SA	
SWS03	3404-001216	SWITCH-TACT;12V DC,20mA,160gf,4.	1	SA	
XD01	2801-004164	CRYSTAL-SMD;12MHz,50PPM,28-ACI,7	1	SA	
XD02	2801-004784	CRYSTAL-SMD;48MHz,30ppm,-,7pF,50	1	SA	
XS01	2801-003856	CRYSTAL-SMD;0.032768MHz,20ppm,28	1	SA	

Loc.No	Part No	Description : Specification	Q'ty	S.N.A	Remark
<b>P004</b>	<b>AD97-16201A</b>	<b>LCD PCB</b>			
		<b>ASSY-LCD BOARD;MX20-PJ,SC-MX20C,</b>	<b>1</b>	<b>SA</b>	
CL01	2203-002793	C-CER,CHIP;1000nF,+80-20%,25V,Y5	1	SA	
CL02	2203-002793	C-CER,CHIP;1000nF,+80-20%,25V,Y5	1	SA	
CL03	2203-002793	C-CER,CHIP;1000nF,+80-20%,25V,Y5	1	SA	
CL04	2203-005664	C-CER,CHIP;4700nF,10%,6.3V,X5R,2	1	SC	
CL05	2203-002793	C-CER,CHIP;1000nF,+80-20%,25V,Y5	1	SA	
CL06	2203-002793	C-CER,CHIP;1000nF,+80-20%,25V,Y5	1	SA	
CL07	2203-002793	C-CER,CHIP;1000nF,+80-20%,25V,Y5	1	SA	
CL08	2203-002793	C-CER,CHIP;1000nF,+80-20%,25V,Y5	1	SA	
CL09	2203-002793	C-CER,CHIP;1000nF,+80-20%,25V,Y5	1	SA	
CL10	2203-002793	C-CER,CHIP;1000nF,+80-20%,25V,Y5	1	SA	
CL11	2203-002793	C-CER,CHIP;1000nF,+80-20%,25V,Y5	1	SA	
CL12	2203-002793	C-CER,CHIP;1000nF,+80-20%,25V,Y5	1	SA	
CL13	2203-002793	C-CER,CHIP;1000nF,+80-20%,25V,Y5	1	SA	
CL14	2203-000189	C-CER,CHIP;100nF,+80-20%,25V,Y5V	1	SA	
CL15	2203-000257	C-CER,CHIP;10nF,10%,50V,X7R,TP,1	1	SA	
CNL01	3708-002224	CONNECTOR-FPC/FPC/PIC;24P,0.5mm,	1	SA	
CNL02	3708-002188	CONNECTOR-FPC/FPC/PIC;40P,0.5mm,	1	SA	
ICL01	1209-001585	IC-SENSOR;MRUS51(S),SOT-223,3P,	1	SA	
RL05	2007-000033	R-CHIP;0ohm,5%,1/4W,TP,3216	1	SA	
RL06	2007-000067	R-CHIP;15Kohm,1%,1/10W,TP,1608	1	SA	
RL07	2007-000583	R-CHIP;22Kohm,1%,1/10W,TP,1608	1	SA	
RL08	2007-000772	R-CHIP;33Kohm,1%,1/10W,TP,1608	1	SA	
RL09	2007-000939	R-CHIP;47Kohm,1%,1/10W,TP,1608	1	SA	
RL10	2007-001206	R-CHIP;82Kohm,1%,1/10W,TP,1608	1	SA	
RL11	2007-000563	R-CHIP;220Kohm,1%,1/10W,TP,1608	1	SA	
RL12	2007-000078	R-CHIP;1Kohm,5%,1/10W,TP,1608	1	SA	
<b>P009</b>	<b>AD92-00585A</b>	<b>Rear PCB</b>			
		<b>ASSY PCB REAR;-MX20-PJ,NTSC/PAL</b>	<b>1</b>	<b>SA</b>	
CNR01	3708-002173	CONNECTOR-FPC/FPC/PIC;10P,0.5mm,	1	SA	
CR01	2203-000189	C-CER,CHIP;100nF,+80-20%,25V,Y5V	1	SA	
LEDR01	0601-002391	LED;SMD,RED/GRN,1.6x1.5x0.55mm,5	1	SA	
RR01	2007-000102	R-CHIP;100Kohm,5%,1/10W,TP,1608	1	SA	
SWR01	3409-001184	SWITCH-DETECTOR;1mA,DC,5V,SPST,5	1	SA	
SWR02	3404-001171	SWITCH-TACT;12V DC,50MA,200GF,6.	1	SA	
<b>C314</b>	<b>AD97-15560A</b>	<b>Assy CCD</b>			
		<b>ASSY CCD-VP-MX20-MX20-PJ,PAL-</b>	<b>1</b>	<b>SA</b>	
C594	AD61-02357A	PLATE-CCD;DRAGON-2-PJ,AL,T1,W21,L	1	SA	
CC01	2203-000189	C-CER,CHIP;100nF,+80-20%,25V,Y5V	1	SA	
CC02	2203-000189	C-CER,CHIP;100nF,+80-20%,25V,Y5V	1	SA	
CC03	2203-000491	C-CER,CHIP;2.2nF,10%,50V,X7R,160	1	SA	
CC04	2203-000192	C-CER,CHIP;100nF,+80-20%,50V,Y5V	1	SA	
CC07	2203-005774	C-CER,CHIP;1000nF,+80-20%,50V,Y5	1	SA	
CC10	2404-000157	C-TA,CHIP;1uF,20%,35V,-,TP,3216	1	SA	
CC11	2404-000335	C-TA,CHIP;3.3uF,20%,16V,GP,TP,32	1	SA	
CC15	2203-000189	C-CER,CHIP;100nF,+80-20%,25V,Y5V	1	SA	
CNC01	3710-002455	SOCKET-BOARD TO BOARD;20P,2R,0.5	1	SA	
DC01	0401-001054	DIODE-SWITCHING;KDS160.80V,100MA	1	SA	
ICC02	1003-002045	IC-CLOCK DRIVER;NVD2004,TSSOP,16	1	SA	
LC01	2703-002727	INDUCTOR-SMD;4.7uH,20%,2012	1	SA	
LC02	2703-002727	INDUCTOR-SMD;4.7uH,20%,2012	1	SA	
QC01	0505-000180	FET-SILICON;2SK1070,N,-,50mA,-,1	1	SA	
RC02	2007-000082	R-CHIP;3.3Kohm,5%,1/10W,TP,1608	1	SA	
RC03	2007-000072	R-CHIP;47ohm,5%,1/10W,TP,1608	1	SA	
RC04	2007-000102	R-CHIP;100Kohm,5%,1/10W,TP,1608	1	SA	



Loc.No	Part No	Description : Specification	Q'ty	S.N.A	Remark
VS004	0605-001146	CCD;CCD(PAL);DIP-14(Plastic),14P	1	SA	
W206	6001-001373	SCREW-MACHINE;PH,T0.5,+,-,M1.7,L	1	SA	
<b>Top PCB</b>					
<b>P008</b>	<b>AD92-00583A</b>	<b>ASSY PCB-TOP,-,MX20-PJ,NTSC/PAL</b>	<b>1</b>	<b>SA</b>	
CCH01	2203-000254	C-CER,CHIP;10nF,10%,16V,X7R,1005	1	SA	
CCH02	2203-000254	C-CER,CHIP;10nF,10%,16V,X7R,1005	1	SA	
CCH03	2203-006048	C-CER,CHIP;100nF,10%,10V,X7R,100	1	SA	
CCH04	2404-001409	C-TA,CHIP;10UF,20%,25V,-,TP,3528	1	SA	
CCH05	2203-000254	C-CER,CHIP;10nF,10%,16V,X7R,1005	1	SA	
CNT01	3710-002660	SOCKET-BOARD TO BOARD;40P,2R,0.5	1	SA	
CNT02	3708-002531	CONNECTOR-FPC/FFC/PIC;8P,0.5mm,S	1	SA	
CNT03	3708-002173	CONNECTOR-FPC/FFC/PIC;10P,0.5mm,	1	SA	
CNT04	3711-006473	HEADER-BATTERY;NOWALL,3P,1R,3.2m	1	SA	
DCH01	0401-001110	DIODE-SWITCHING;-;80V,100MA,SOD-	1	SA	
FCH01	3601-001331	FUSE-SURFACE MOUNT;32V,1.25A,SLO	1	SA	
FCH02	3601-001331	FUSE-SURFACE MOUNT;32V,1.25A,SLO	1	SA	
FL681	3809-001996	FFC CABLE-FLAT;30V,80,25mm,10P,0	1	SA	
ICCH01	1201-001376	IC-OP AMP;75W01,SSOP,8P,110MIL,D	1	SA	
LIBAT	AD43-00181A	BATTERY-LITHIUM;ML1220-TT27,HMX10	1	SA	
QCH01	0505-002153	FET/SBD;VEC2819,P,-,20V,-,3.5A,0,0	1	SA	
QCH02	0504-000168	TR-DIGITAL;RN1104,NPN,100mW,47K/	1	SA	
QCH03	0504-000168	TR-DIGITAL;RN1104,NPN,100mW,47K/	1	SA	
QCH04	0501-000172	TR-SMALL SIGNAL;2SB1121T-TD-E,PN	1	SA	
QCH05	0501-000172	TR-SMALL SIGNAL;2SB1121T-TD-E,PN	1	SA	
QCH06	0504-000168	TR-DIGITAL;RN1104,NPN,100mW,47K/	1	SA	
QCH07	0504-000168	TR-DIGITAL;RN1104,NPN,100mW,47K/	1	SA	
QCH08	0504-000168	TR-DIGITAL;RN1104,NPN,100mW,47K/	1	SA	
QCH10	0504-001102	TR-DIGITAL;EMD3,NPN/PNP,150mW,10	1	SA	
QCH11	0504-001102	TR-DIGITAL;EMD3,NPN/PNP,150mW,10	1	SA	
QCH12	0501-002373	TR-SMALL SIGNAL;EMX2,NPN,150MW,E	1	SA	
QCH21	0504-001025	TR-DIGITAL;DTC143EE,NPN,150mW,4.	1	SA	
QCH22	0504-001025	TR-DIGITAL;DTC143EE,NPN,150mW,4.	1	SA	
QCH23	0504-001025	TR-DIGITAL;DTC143EE,NPN,150mW,4.	1	SA	
QCH24	0504-001025	TR-DIGITAL;DTC143EE,NPN,150mW,4.	1	SA	
RCH02	2007-000162	R-CHIP;100Kohm,5%,1/16W,TP,1005	1	SA	
RCH04	2007-000162	R-CHIP;100Kohm,5%,1/16W,TP,1005	1	SA	
RCH05	2007-000170	R-CHIP;1Mohm,5%,1/16W,TP,1005	1	SA	
RCH06	2007-007840	R-CHIP;825ohm,1%,1/10W,TP,1608	1	SA	
RCH07	2007-007840	R-CHIP;825ohm,1%,1/10W,TP,1608	1	SA	
RCH08	2007-001319	R-CHIP;1.2Kohm,5%,1/16W,TP,1005	1	SA	
RCH09	2007-007313	R-CHIP;6.8Kohm,1%,1/16W,TP,1005	1	SA	
RCH10	2007-007142	R-CHIP;10Kohm,1%,1/16W,TP,1005	1	SA	
RCH11	2007-008596	R-CHIP;0.1ohm,1%,1/4W,TP,3216	1	SA	
RCH12	2007-007318	R-CHIP;1Kohm,1%,1/16W,TP,1005	1	SA	
RCH13	2007-007132	R-CHIP;15Kohm,1%,1/16W,TP,1005	1	SA	
RCH14	2007-000148	R-CHIP;10Kohm,5%,1/16W,TP,1005	1	SA	
RCH15	2007-000139	R-CHIP;220ohm,5%,1/16W,TP,1005	1	SA	
RCH16	2007-000171	R-CHIP;0ohm,5%,1/16W,TP,1005	1	SA	
RCH17	2007-000139	R-CHIP;220ohm,5%,1/16W,TP,1005	1	SA	
RCH18	2007-000155	R-CHIP;27Kohm,5%,1/16W,TP,1005	1	SA	
RCH19	2007-000148	R-CHIP;10Kohm,5%,1/16W,TP,1005	1	SA	
RCH21	2007-000932	R-CHIP;470ohm,5%,1/16W,TP,1005	1	SA	
RCH22	2007-000932	R-CHIP;470ohm,5%,1/16W,TP,1005	1	SA	
RCH23	2007-000932	R-CHIP;470ohm,5%,1/16W,TP,1005	1	SA	
RCH24	2007-000932	R-CHIP;470ohm,5%,1/16W,TP,1005	1	SA	

Loc.No	Part No	Description : Specification	Q'ty	S.N.A	Remark
		LCD FPC			
P278	AD92-00555A	ASSY PCB FPC-LCD;-;MX20,ASSY FPC	1	SNA	
CNLF02	3711-006813	HEADER-BOARD TO BOARD;BOX,30P,2R	1	SNA	
FL330	AD41-01180A	FPC-LCD;MX20-PJ,00,POLYAMID,24P,	1	SNA	
	AC99-46001Z	ASSY SMD INSERT-PCB-FPC LCD;-;MX	1	SNA	
	AC99-96002B	ASSY MANUAL INSERT-PCB-FPC LCD;-;	1	SNA	

**Mode FPC**

Loc.No	Part No	Description : Specification	Q'ty	S.N.A	Remark
<b>C1073</b>	<b>AD97-16202A</b>	<b>ASSY-FPC MODE;MX20-PJ,SC-MX20C,A</b>	<b>1</b>	<b>SA</b>	
CNMD1	3708-002439	CONNECTOR-FPC/FFC/PIC;6P,0.5mm,S	1	SA	
CR01	2203-000189	C-CER,CHIP;100nF,+80-20%,25V,Y5V	1	SA	
LEDMD1	0601-002037	LED;SMD,BLUE,1.6x0.8x0.4mm,465/4	1	SA	
LEDMD2	0601-002037	LED;SMD,BLUE,1.6x0.8x0.4mm,465/4	1	SA	
RMD1	2007-000070	R-CHIP;0ohm,5%,1/10W,TP,1608	1	SA	
SWMD3	3404-001312	SWITCH-TACT;12V,50mA,160gf,3.7X3	1	SA	

**Accessory**

Loc.No	Part No	Description : Specification	Q'ty	S.N.A	Remark
<b>AD39-00153A</b>	<b>CBF CABLE-USB;SKT-689-2-B,MX20,A</b>	<b>1</b>	<b>SA</b>		
	AD39-00155A	CBF CABLE-A V;SKT-AU006,MX20,4.1	1	SA	
	AD43-00180A	BATTERY-PACK;IA-BP85ST/EXP,MX10,	1	SA	
	AD44-00112B	ADAPTOR;AA-E9/EUR,EUROPE,CP2,ACI	1	SA	
	AD46-00192A	SOFTWARE PACK-MEDIA SHOW4;MEDIASH	1	SA	
	AD46-00192C	SOFTWARE PACK-IB;-B,4,-,PAL,4,-,	1	SA	
	AD68-03076C	MANUAL USERS-QUICK GUIDE;VM-MX20	1	SA	
	AD69-00932A	BAG CARRYING-POUCH;MX10,NYLON,T1	1	SA	

**Additional Part List**

Loc.No	Part No	Description : Specification	Q'ty	S.N.A	Remark
<b>C1012</b>	<b>AD64-02287A</b>	<b>INDICATOR-CHARGE;MX20,ACRYL,1,MI</b>	<b>1</b>	<b>SA</b>	
C1070	AD63-01175A	SHEET-SHAFT DOOR;MX10,PET,T0.1,W	1	SA	
C636	AD61-03718A	SPRING ETC-POWER;MX20,SUS 304 1/	1	SA	
W113	6002-001085	SCREW-TAPPING;CH,+2,M1.7,L5,ZPC	4	SA	
W127	6003-001292	SCREW-TAPTITE;CH,(0.3),+B,M1.7,L	4	SA	
W129	6001-001719	SCREW-MACHINE;CH,+M1.7,L4,NI PL	11	SA	
W206	6001-001373	SCREW-MACHINE;PH,T0.5,+,-,M1.7,L	1	SA	
W224	6001-000877	SCREW-MACHINE;CH,+M1.7,L3,ZPC(B	2	SA	
W287	6003-001479	SCREW-TAPTITE;BH,+,-,B,M1.7,L4,N	9	SA	
W298	6003-001508	SCREW-TAPTITE;PH,+B,M1.4,L3,NI	1	SA	
W371	6003-001453	SCREW-TAPTITE;BH,+B,M1.7,L4,ZPC	2	SA	
W372	6003-001148	SCREW-TAPTITE;PH,+B,M1.7,L6,ZPC	3	SA	
W377	6001-001291	SCREW-MACHINE;CH(0.5),+,-,M1.7,L	3	SA	
W398	6003-001300	SCREW-TAPTITE;CH,+B,M1.7,L4,ZPC	3	SA	
W405	6003-001625	SCREW-TAPTITE;CH,+,-,B,M1.7,L3,N	3	SA	

# M E M O