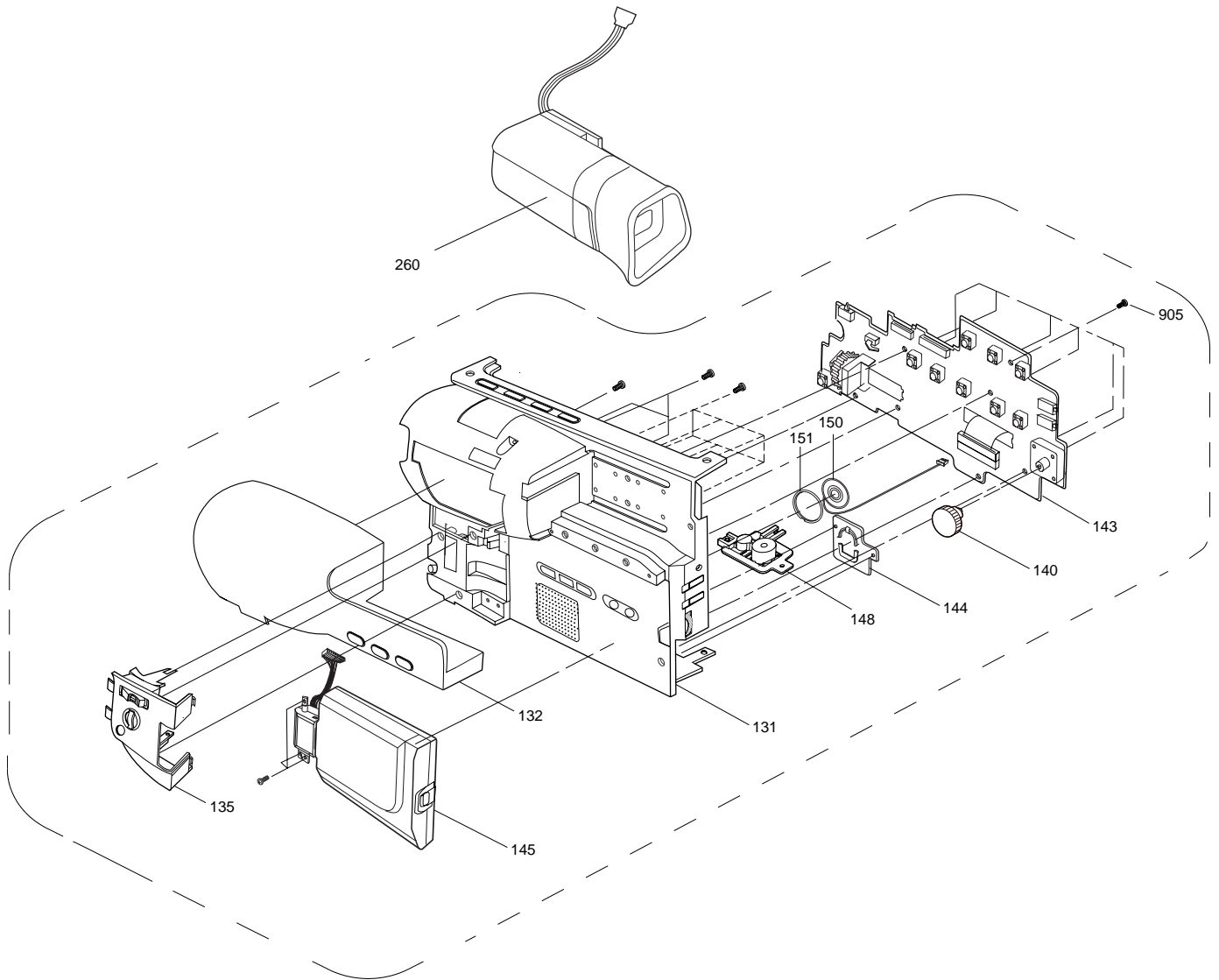

5. Exploded View and Parts List

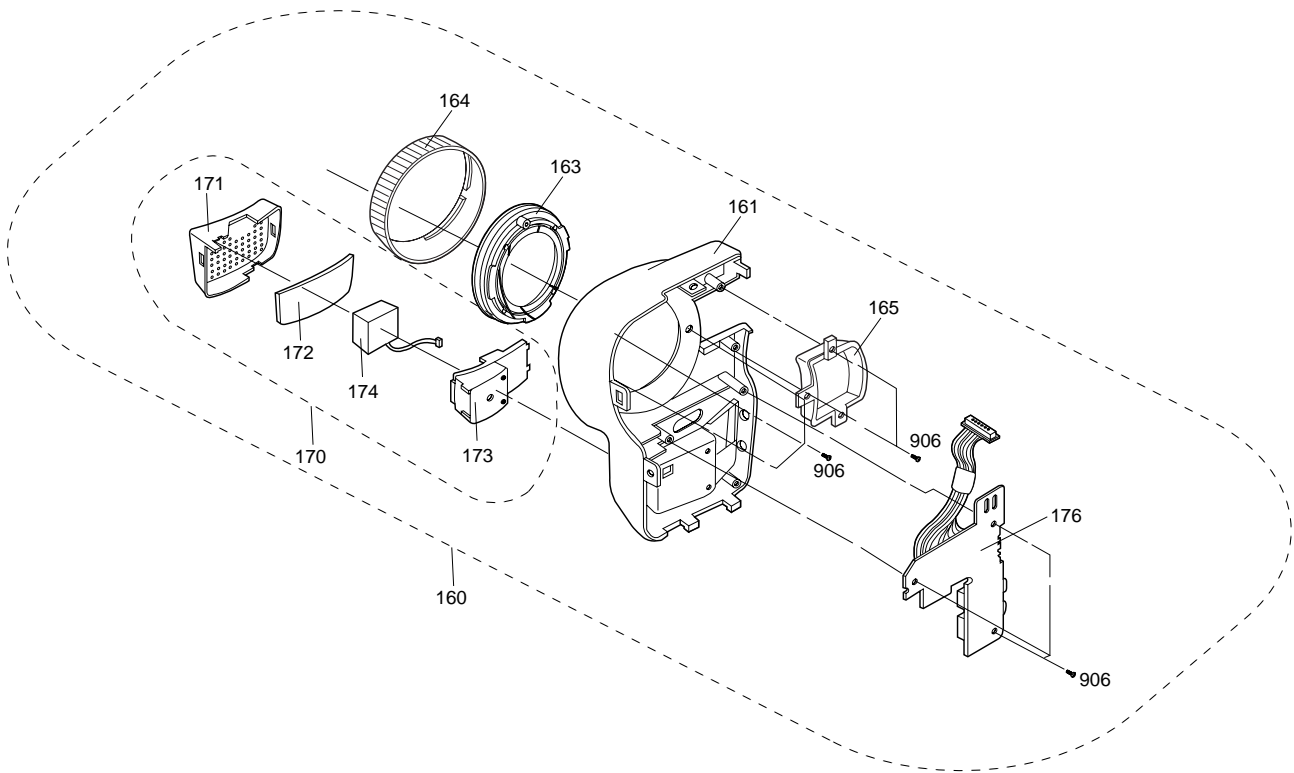
5-1	Cabinet Assembly (1)	5-2
5-2	Cabinet Assembly (2)	5-4
5-3	Cabinet Assembly (3)	5-6
5-4	Cabinet Assembly (4)	5-8
5-5	EVF	5-10
5-6	Mechanical Parts (1)	5-12
5-7	Mechanical Parts (2)	5-14
5-8	Mechanical Parts (3)	5-16

5-1 Cabinet Assembly (1)



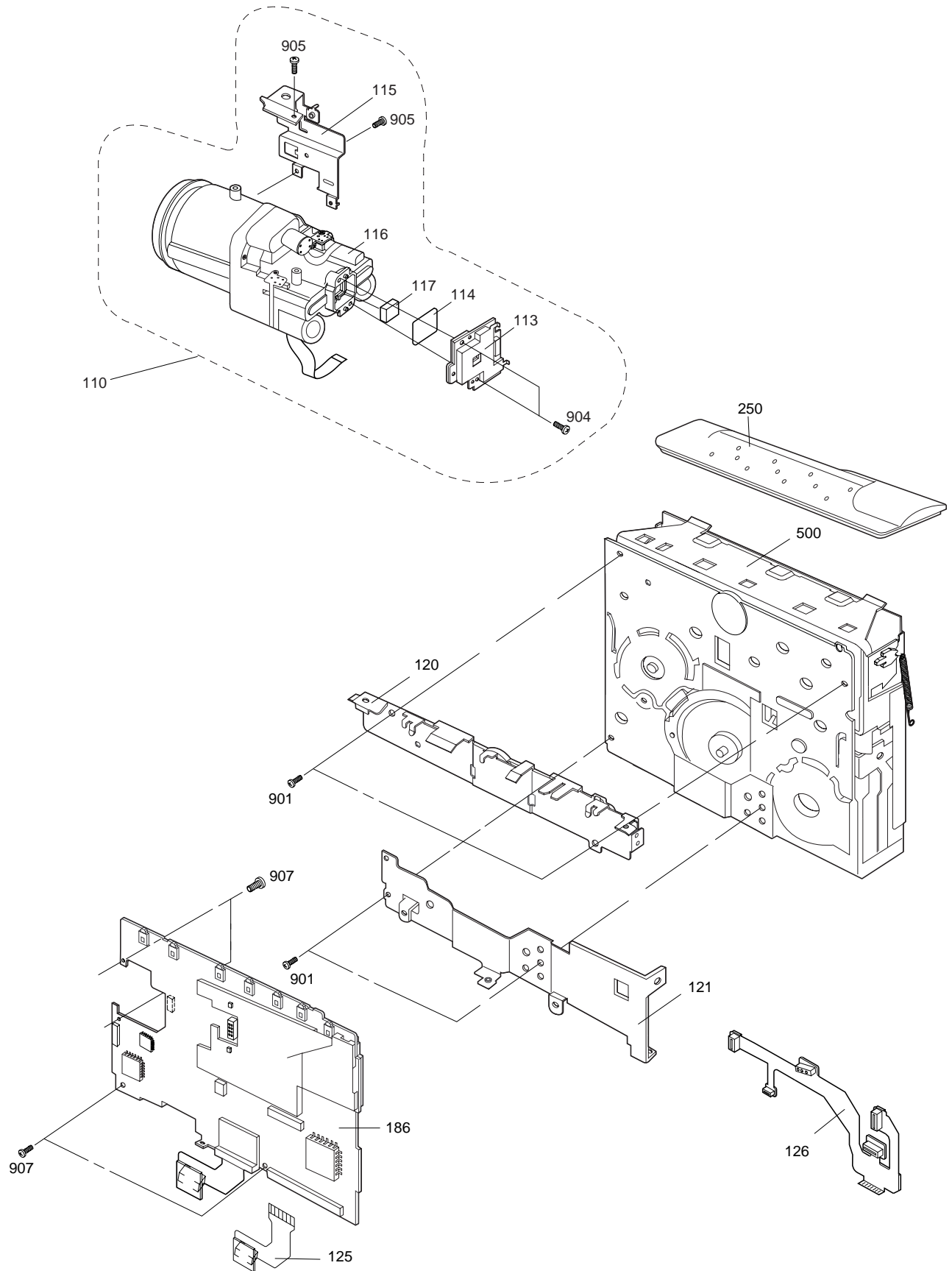
Loc. No	New Part No	Description and Specification	Remark
131	AD64-00234A	CASE-LEFT(M2);-,ABS94HB BLK,-,-,-,-,M2	ALL
132	AD97-01807A	ASSY-COVER TOP;-,VP-L500,-	SCL500/L520/VP-L500/L520
	AD97-01808A	ASSY-COVER TOP;-,VP-L530,-	VP-L530
	AD97-02070A	ASSY-COVER TOP;-,VP-L530B/SEUK,-	VP-L530B
	AD97-01810A	ASSY-COVER TOP;-,SC-L530,-	SCL530/L550
	AD97-01809A	ASSY-COVER TOP;-,VP-L550,-	VP-L550
135	AD97-01814A	ASSY-COVER BOTTOM;-,EXE,-	SCL500/L520/L530/L550
	AD97-02071A	ASSY-COVER BOTTOM;-,VP-L530B/SEUK,-	VP-L530B
140	AD64-00177A	KNOB--MENU;-,ABS 94HB,-,-,-,M1-PJ,-	ALL
143	AD97-01594A	ASSY-FUNCTION BOARD;VP-L520,-,M2-PJ	ALL
144	AD39-20825P	LEAD CONNECTOR-ASSY;-,51021,-,2P,60mm,15	ALL
145	AD97-01535A	ASSY-LCD;M2-PJ,NTSC,-	SCL550
	AD97-01536A	ASSY-LCD;M2-PJ,PAL,-	VP-L550
	AD97-01890A	ASSY-LCD;ASSY,VP-L500/XEU,M2-PJ	VP-L500
	AD97-01891A	ASSY-LCD;ASSY,VP-L520/XEU,M2-PJ	VP-L520
	AD97-01892A	ASSY-LCD;ASSY,VP-L530/XEU,M2-PJ	VP-L530
	AD97-01893A	ASSY-LCD;ASSY,SC-L520/XAA,M2-PJ/B&W	SCL500/L520
	AD97-01894A	ASSY-LCD;ASSY,SC-L530/XAA,M2-PJ/B&W	SCL530
	AD97-02031A	ASSY-LCD;ASSY,VP-L530B,PAL,B&W	VP-L530B
148	AD97-01574A	ASSY-TRIPOD;CS2000,-,GRAY	ALL
150	AD97-00746A	ASSY-SPEAKER;-,SC-L315C,2816S	ALL
151	AD73-10048A	RUBBER-SPACKER;RUBBER,-,SC-L300,-	ALL
260	AD97-01323A	ASSY-EVF;M2,NTSC/BW,-	SCL500/L520/L530/L550
	AD97-01324A	ASSY-EVF;M2,PAL/BW,-	VP-L500/L520/L530/L550
	AD97-02030A	ASSY-EVF;ASSY,VP-L530B,PAL,B&W	VP-L530B
903	AC60-10020A	SCREW-MACHINE;BH,+ ,M2,X5,FZB,FE,UP,-,-	ALL
905	AC60-10054A	SCREW-TAPPING;BH,+ ,M2,X6,FZB	ALL

5-2 Cabinet Assembly (2)



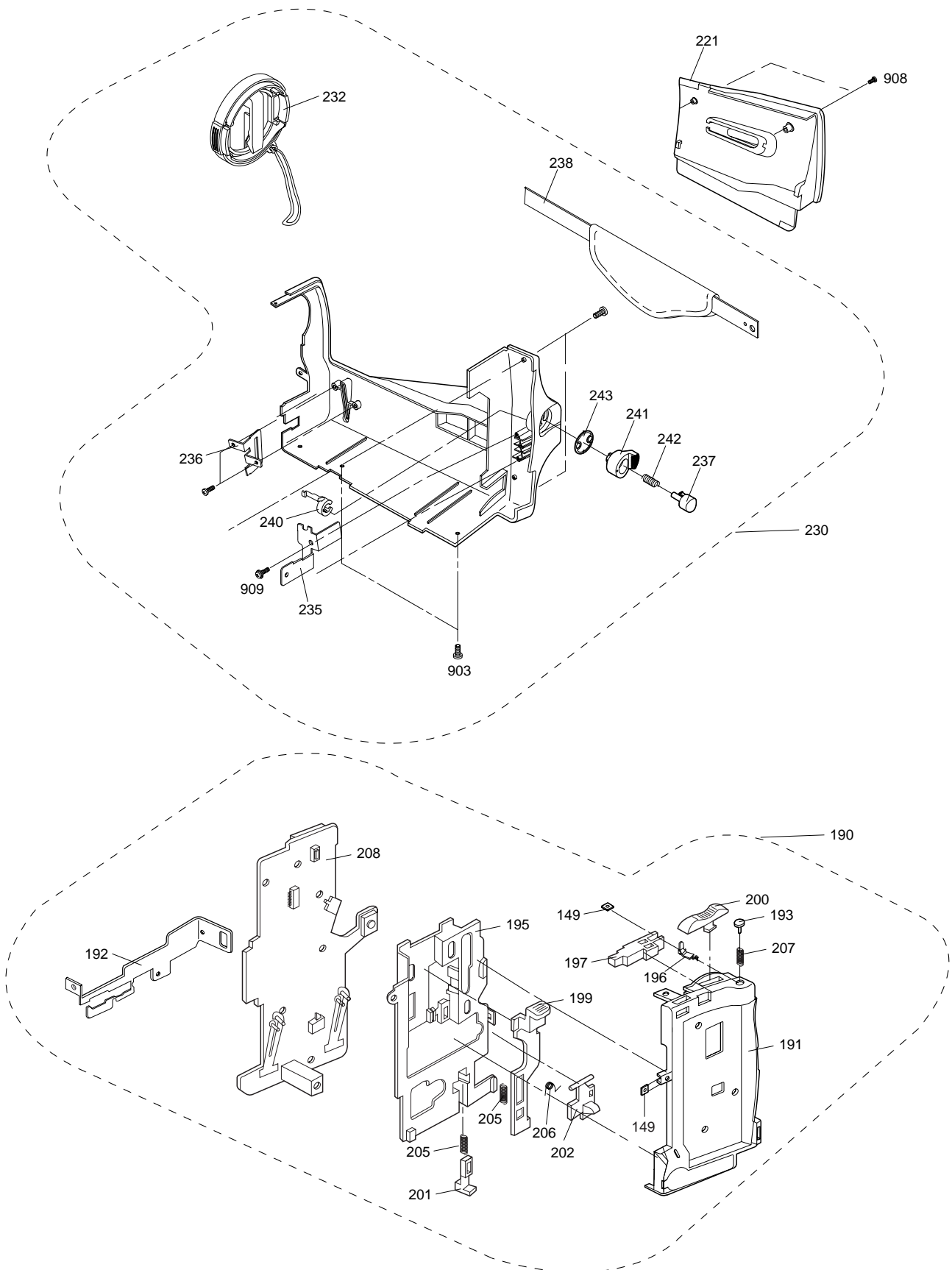
Loc. No	New Part No	Description and Specification	Remark
160	AD97-01319A	ASSY-CASE FRONT;M2-PJ,-,-	SCL530/L550/VP-L520/L530/L550
	AD97-02073A	ASSY-CASE FRONT;-,-,SCL500,-	SCL500
	AD97-02083A	ASSY-CASE FRONT;ABS 94HB D/GRAY,VP-L530B	VP-L530B
	AD97-01889A	ASSY-CASE FRONT;-,-,M2-PJ,NO-REMOCON	SCL520/VP-L500
161	AD64-00242A	CASE-FRONT;-,-,ABS94HB BLK,-,-,-,-,M2-PJ	SCL520/L530/L550 VP-L500/L520/L530/L550
	AD64-00242C	CASE-FRONT;-,-,ABS94HB L/BLUE,-,-,-,-,M2	VP-L530B
	AD64-00242E	CASE-FRONT;-,-,ABS94HB BLK,-,-,-,-,SC-L5	SCL500
163	AD67-00038A	LENS--HOOD(22X);-,-,ABS94HB,-,-,M1-PJ,-,-	ALL
164	AD67-00039A	LENS--HOOD(AL);-,-,A6063A-T5(AL10),-,-,-	ALL
165	AD63-00061A	COVER--DUMMY LAMP;-,-,-,-,-,ABS94HB,M1	SCL520/L530/L550 VP-L500/L520/L530/L550
	AD64-00194B	MASK-LAMP;-,-,ABS94HB,-,-,220X,SILK,SPRAY,	SCL500
	AD63-00061B	COVER-DUMMY LAMP;-,-,-,-,-,BLUE 440X,ABS	VP-L530B
170	AD97-01201A	ASSY-MIC;M1-PJ,-,-,MONO	SCL520/L530/L550 VP-L500/L520/L530/L550
	AD97-01993A	ASSY-MIC;-,-,VP-M51B,MONO, BLUE	VP-L530B
171	AD63-00066A	COVER--MIC;-,-,-,-,-,ABS94HB,M1-PJ	SCL520/L530/L550 VP-L500/L520/L530/L550
	AD63-00066B	COVER-MIC;-,-,-,-,-,BLUE,ABS94HB,VP-M51B	VP-L530B
172	AD63-00076A	SHEET-MIC;-,-,SPONGE,1,-,-,-,-,M1-PJ	ALL
173	AD61-00207A	HOLDER--MIC;-,-,-,-,-,ABS94HB,M1-PJ	ALL
174	AD73-00015A	RUBBER--MIC;IIR,-,-,M1-PJ,-,-	ALL
176	AD97-01150A	ASSY-FRONT;M-P/J,-,-,-	SCL520/L530/L550 VP-L520/L530/L550
	AD97-01749A	ASSY-FRONT BOARD;SC-M51,-,-,-	SCL500/L520/VP-L500
906	AC60-10061A	SCREW-TAPPING;BH,+,-,M2,X5,ZPC	ALL

5-3 Cabinet Assembly (3)



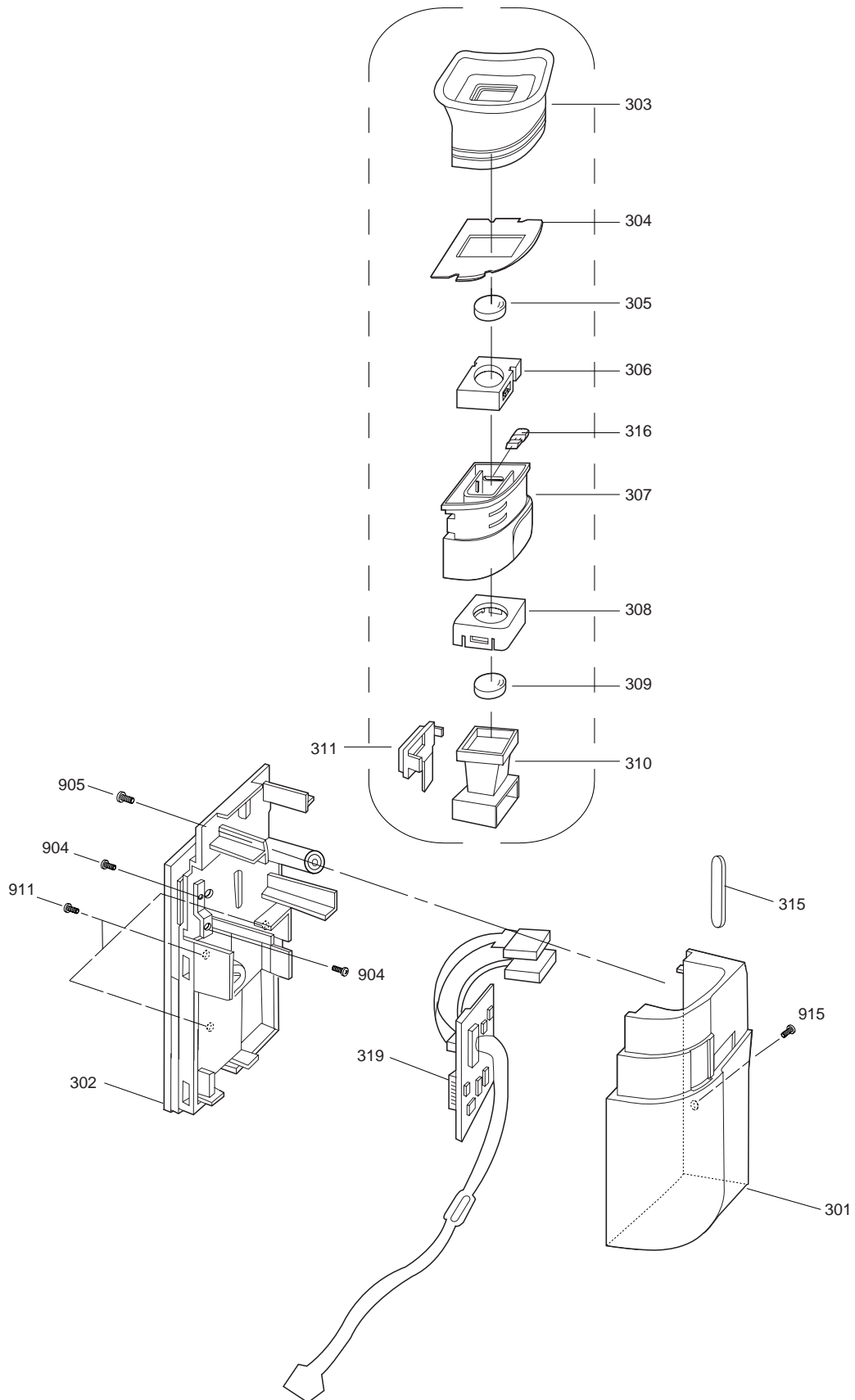
Loc. No	New Part No	Description and Specification	Remark
110	AD97-01106A	ASSY-CAMERA;M-P/J,-,X22,270K,NTSC/NOR	SCL500
	AD97-02091A	ASSY-CAMERA;- ,M-P/J,SAMSUNG,PAL/NORMAL	VP-L500/L520/L530
	AD97-02092A	ASSY-CAMERA;- ,M-P/J,SAMSUNG,NTSC/NORMAL	SCL520/L530
	AD97-02093A	ASSY-CAMERA;- ,M-P/J,SAMSUNG,NTSC/Ni	SCL550
	AD97-02094A	ASSY-CAMERA;- ,M-P/J,SAMSUNG,PAL/Ni	VP-L550
113	AD97-01111A	ASSY-CCD BOARD;M-P/J,NTSC,-,NOR,270K	SCL500
	AD97-02099A	ASSY-CCD BOARD,C;- ,M-P/J,LENS by KOREA	SCL520/L530/L550
			VP-L500/L520/L530/L530B/L550
114	AD60-00034A	SPACER-CCD;- ,-, -,BLK,M1-PJ	SCL500/L520/L530
			VP-L500/L520/L530/L530B
	AD63-62008A	SPACER-CCD;- ,SILICON,22X,-, -,SC-L350	SCL550/VP-L550
115	AD61-00215A	BRACKET-LENS(22X);- ,-, -,T0.5,-, -,SUS304,M1	ALL
116	AD97-02095A	ASSY-LENS;- ,M-P/J,SAMSUNG,PAL/NORMAL	VP-L500/L520/L530/L530B
	AD97-02096A	ASSY-LENS;- ,M-P/J,SAMSUNG,NTSC/NORMAL	SCL520/L530
	AD97-02097A	ASSY-LENS;- ,M-P/J,SAMSUNG,NTSC/Hi	SCL550
	AD97-02098A	ASSY-LENS;- ,M-P/J,SAMSUNG,PAL/Hi	VP-L550
117	AD67-00034A	LENS-ZOOM;- ,-, -,64.39X39.6,5V,-, -,CS2000,-,2	SCL500
120	AD61-00222A	CHASSIS-TOP;- ,SUS304,-,T0.5,-, -, -, -,M1	ALL
121	AD61-00321A	CHASSIS-BOTTOM;- ,SUS304,-,T0.5,-, -, -, -,D	ALL
125	AD97-01624A	ASSY-FPC ROTARY;VP-M52,-,M-PJ DE-6D	ALL
126	AD92-00005A	ASSY PCB-DECK FPC;M-PJ DE-6D,DECK FPC	ALL
186	AD94-00129A	ASSY-MAIN BOARD;VP-L520,PAL	VP-L520
	AD94-00130A	ASSY-MAIN BOARD;VP-L530,PAL	VP-L530/L530B
	AD94-00131A	ASSY-MAIN BOARD;VP-L550,PAL	VP-L550
	AD94-00132A	ASSY-MAIN BOARD;SC-L520,NTSC	SCL520
	AD94-00133A	ASSY-MAIN BOARD;SC-L540,NTSC	SCL530
	AD94-00134A	ASSY-MAIN BOARD;SC-L550,NTSC	SCL550
	AD94-00142A	ASSY-MAIN BOARD;VP-L500/XEU,M2-PJ	VP-L500
	AD94-00148A	ASSY-MAIN BOARD;SC-L500/XAC,M2-PJ	SCL500
250	AD64-00174A	CASE-TOP;- ,ABS 94HB,-, -, -, -,M1-PJ	ALL
500	AD97-01691A	ASSY-DECK;DE-6E,-,DECK	SCL550/VP-L550
	AD97-01694A	ASSY-DECK;DE-6E,-,PAL	VP-L500/L520/L530/L530B
	AD97-01695A	ASSY-DECK;DE-6E,-,NTSC	SCL500/L520/L530
901	AC60-10017A	SCREW-MACHINE;BH,+ ,M1.7,X3.5,FEFZY,SWCH1	ALL
904	AC60-10055A	SCREW-TAPPING;BH,+ ,M2,X4,FZB	ALL
905	AC60-10054A	SCREW-TAPPING;BH,+ ,M2,X6,FZB	ALL
907	AC60-10024A	SCREW-MACHINE;BH,+ ,M2,X3,FZW,FE,-, -, -	ALL

5-4 Cabinet Assembly (4)



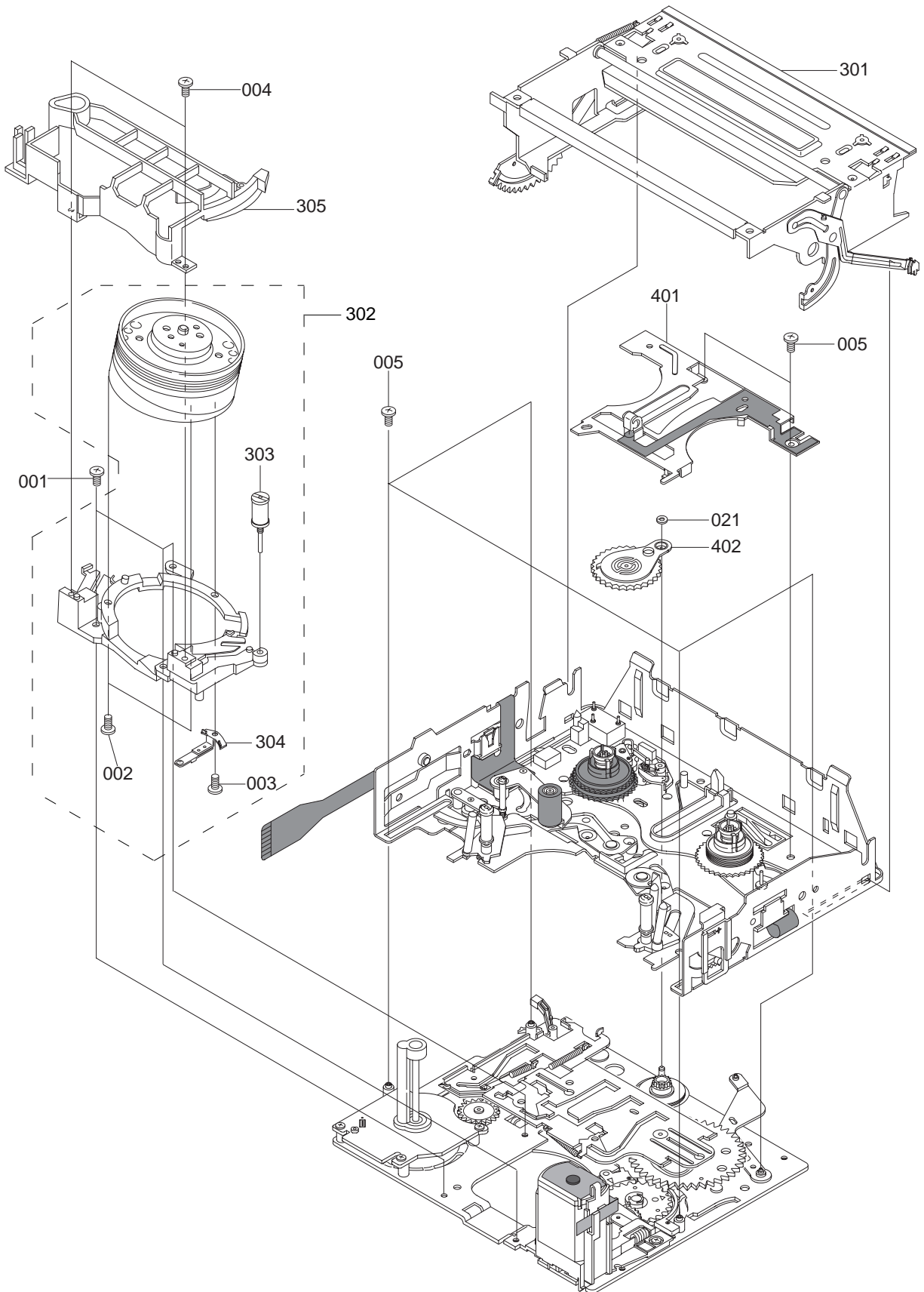
Loc. No	New Part No	Description and Specification	Remark
149	AC61-32047A	PLATE-NUT;SECC,T0.8,-,SV-V40	ALL
190	AD97-01483A	ASSY-REAR;SCL520,-,-	SCL500/L520/VP-L500/L520
	AD97-01484A	ASSY-REAR;SCL540,-,-	SCL530/VP-L530/L530B
	AD97-01485A	ASSY-REAR;SCL550,-,-	SCL550/VP-L550
191	AD64-00243A	CASE-REAR;-ABS94HB BLK,-,-,-,M2-PJ	SCL500/L520/VP-L500/L520
	AD64-00243B	CASE-REAR;-ABS94HB BLK,-,-,-,SCL540	SCL530/VP-L530/L530B
	AD64-00243C	CASE-REAR;-ABS94HB BLK,-,-,-,SCL550	SCL550/VP-L550
192	AD61-00302A	BRACKET-REAR;-SUS304 T0.8,-,-,M2-PJ	ALL
193	AD64-00166A	BUTTON--SNAP SHOT;-ABS 94HB,-,-,M1-PJ	ALL
195	AD61-00205A	HOLDER--BATTERY EJECT;-,-,-,ABS94HB,M1	ALL
196	AD61-00209A	HOLDER--SNAP SHOT;-POM,-,NTR,-,M1-PJ	ALL
197	AD61-00212A	HOLDER--ZOOM;-POM,-,NTR,-,M1-PJ	ALL
199	AD64-00175A	KNOB--BATTERY EJECT;-ABS 94HB,-,-,M1-	ALL
200	AD64-00181A	KNOB--ZOOM;-ABS 94HB,-,-,M1-PJ,-	ALL
201	AD64-00176A	KNOB-DIRECTOR;-ABS 94HB,-,-,M1-PJ,-	ALL
202	AD64-00182A	LOCKER-BATTERY;-POM,-,BLK,-,M1-PJ	ALL
205	AD61-00218A	SPRING--BATTERY EJECT;-M1-PJ,-,0.2,-,	ALL
206	AD61-00219A	SPRING--BATTERY LOCK;-M1-PJ,-,0.2,-,-	ALL
207	AD61-00220A	SPRING--SNAP SHOT;-M1-PJ,-,0.2,-,-,	ALL
208	AD97-01151A	ASSY-REAR BOARD;M-PJ,-,-	SCL500/L520/L530 VP-L500/L520/L530/L530B
	AD97-01356A	ASSY-REAR BOARD;M-PJ,-,Hi8	SCL550/VP-L550
221	AD97-01229A	ASSY-COVER HOUSING;M1-PJ,-,NORMAL	SCL500/L520/L530 VP-L500/L520/L530/L530B
	AD97-01230A	ASSY-COVER HOUSING;M1-PJ,-,Hi8	SCL550/VP-L550
230	AD97-01231A	ASSY-RIGHT;M1-PJ,-,EXP	SCL500/L520/L530 VP-L500/L520/L530/L530B
	AD97-01994A	ASSY-CASE RIGHT;-M1-PJ,EXP(HOOD SPRAY)	SCL550/VP-L550
232	AD97-01655A	ASSY-CAP HOOD;M-PRO,-,-	SCL500/L520/L530 VP-L500/L520/L530/L530B
	AD97-01711A	ASSY-CAP HOOD;M1-PJ,ABS94HB GRY,SPRAY	SCL550/VP-L550
235	AD61-00214A	BRACKET-GRIP BACK;-,-,T0.8,-,SUS304,M1	ALL
236	AD61-00077A	BRACKET-GRIP FRONT;-,-,SUS T1.2,-,-,CS	ALL
237	AD64-00165A	BUTTON--REC/STOP;-ABS 94HB,-,-,M1-PJ	ALL
238	AD63-10219A	GRIP-BELT ASSY;-LEATHER,-,-,BLK,-,SC-L3	ALL
240	AD61-00210A	HOLDER--START/STOP;-,-,-,POM,M1-PJ	ALL
241	AD64-00180A	KNOB--START/STOP;-ABS 94HB,-,-,M1-PJ,	ALL
242	AD61-60521A	SPRING-REC;-TS,SWPB,0.25,4.3,-,SC-80	ALL
243	AD61-00083A	SPRING--S/STOP;-,-,CS99V,-,-,-	ALL
903	AC60-10020A	SCREW-MACHINE;BH,+M2,X5,FZB,FE,UP,-,-	ALL
908	AD60-10001A	SCREW-MACHINE;BH,B,1.7*5.5,-,FE,BLACK,-,	ALL
909	AD60-00003A	SCREW-TAPTITE;-,-,H8.5,2X6,-	ALL

5-5 EVF



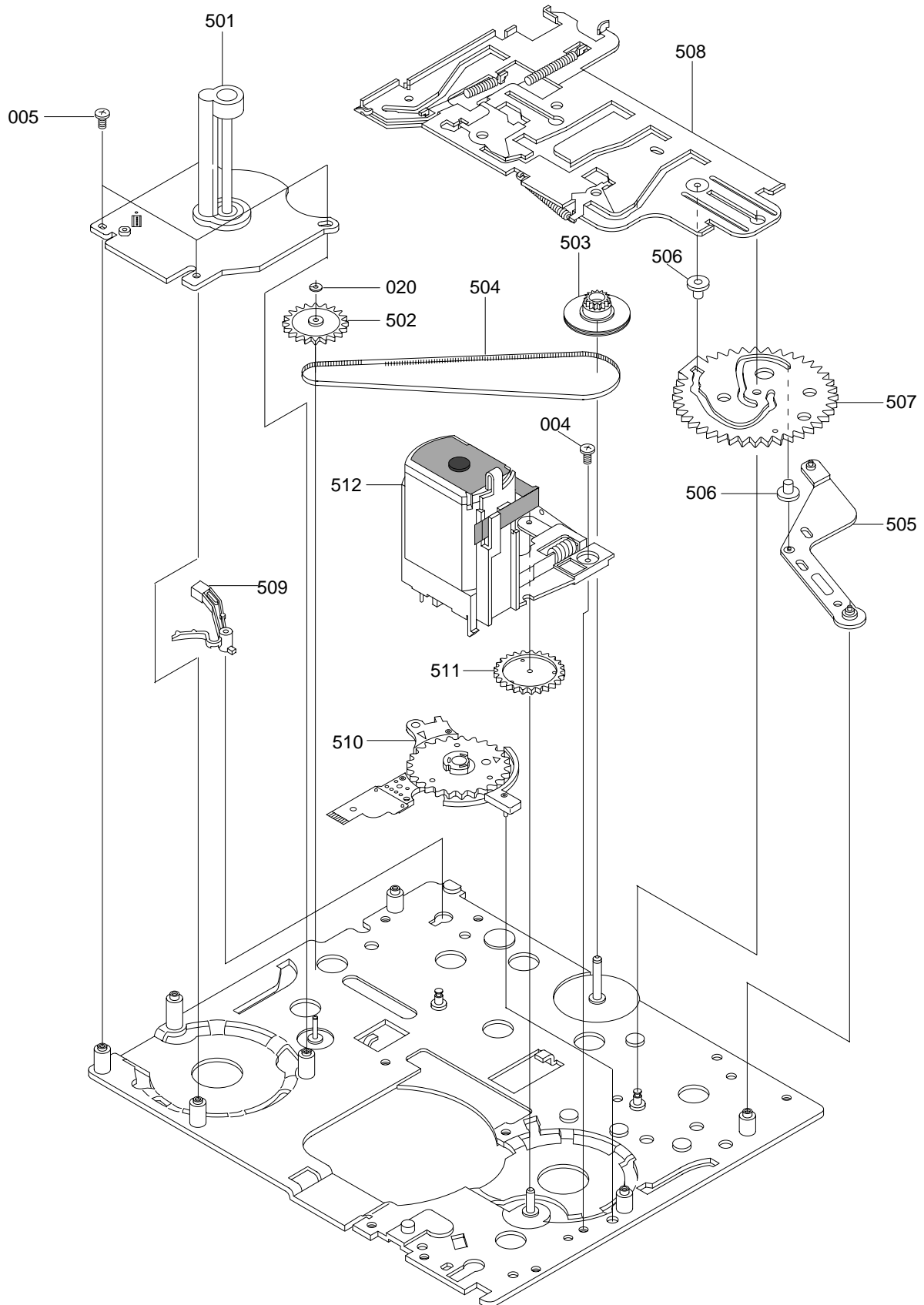
Loc. No	New Part No	Description and Specification	Remark
301	AD64-00247A	CASE-EVF-L;- ,NTSC;- ,-, -, BW,1,M2	SCL500/L520/L530/L550
	AD64-00247B	CASE-EVF-L;- ,PAL/BW;- ,-, -, 1,M2-PJ	VP-L500/L520/L530/L530B/L550
302	AD64-00249A	CASE-EVF R;- ,ABS94VO;- ,-, -, BW/COL,1,M2	SCL500/L520/L530/L550
	AD64-00249A	CASE-EVF R;- ,ABS94VO;- ,-, -, BW/COL,1,M2	VP-L500/L520/L530/L530B/L550
303	AD73-00020A	RUBBER--EVF CUP;SILICON,BW/COL,M2,1 RU	ALL
304	AD61-00306A	GUIDE-CAP;- ,ABS94HB BLK;- ,-, BW/COL,1,M	ALL
305	AD67-00027A	LENS--EVF-M-G1;- ,-, PMMA,4.5,D13.8,-,0.44	ALL
306	AD61-00233A	HOLDER--CVF LENS;- ,ABS94HB BLK;- ,COL,-,M	ALL
307	AD61-00305A	GUIDE-LENS;- ,ABS94HB;- ,-, BW/COL,1,M2	ALL
308	AD61-00252A	HOLDER-COVER-LENS;- ,ABS84HB;- ,BLK;- ,M1-P	ALL
309	AD67-00026A	LENS--EVF-M-G2;- ,-, PC,1.24,D11.2,-,EVF	ALL
310	AD61-00228A	HOLDER--CVF BOTTOM;- ,ABS94VO;- ,BLK;- ,M1-	ALL
311	AD61-00227A	HOLDER--CVF TOP;- ,ABS94VO;- ,BLK;- ,M1-PJ	ALL
315	AD69-00112A	PAD-EVF;M2-PJ,SPONGE;- ,-, -, -	ALL
316	AD64-00248A	KNOB--EVF;- ,POM BLK;- ,BW/COL,-,M2,1	ALL
904	AC60-10055A	SCREW-TAPPING;BH,+,-,M2,X4,FZB	ALL
905	AC60-10054A	SCREW-TAPPING;BH,+,-,M2,X6,FZB	ALL
911	6001-001263	SCREW-MACHINE;BH,+ ,M2,L2.2,NI PLT,SWRCH1	ALL
915	6001-000795	SCREW-MACHINE;BH,+ ,M2,L3,ZPC(WHT),SWRCH1	ALL

5-6 Mechanical Parts (1)



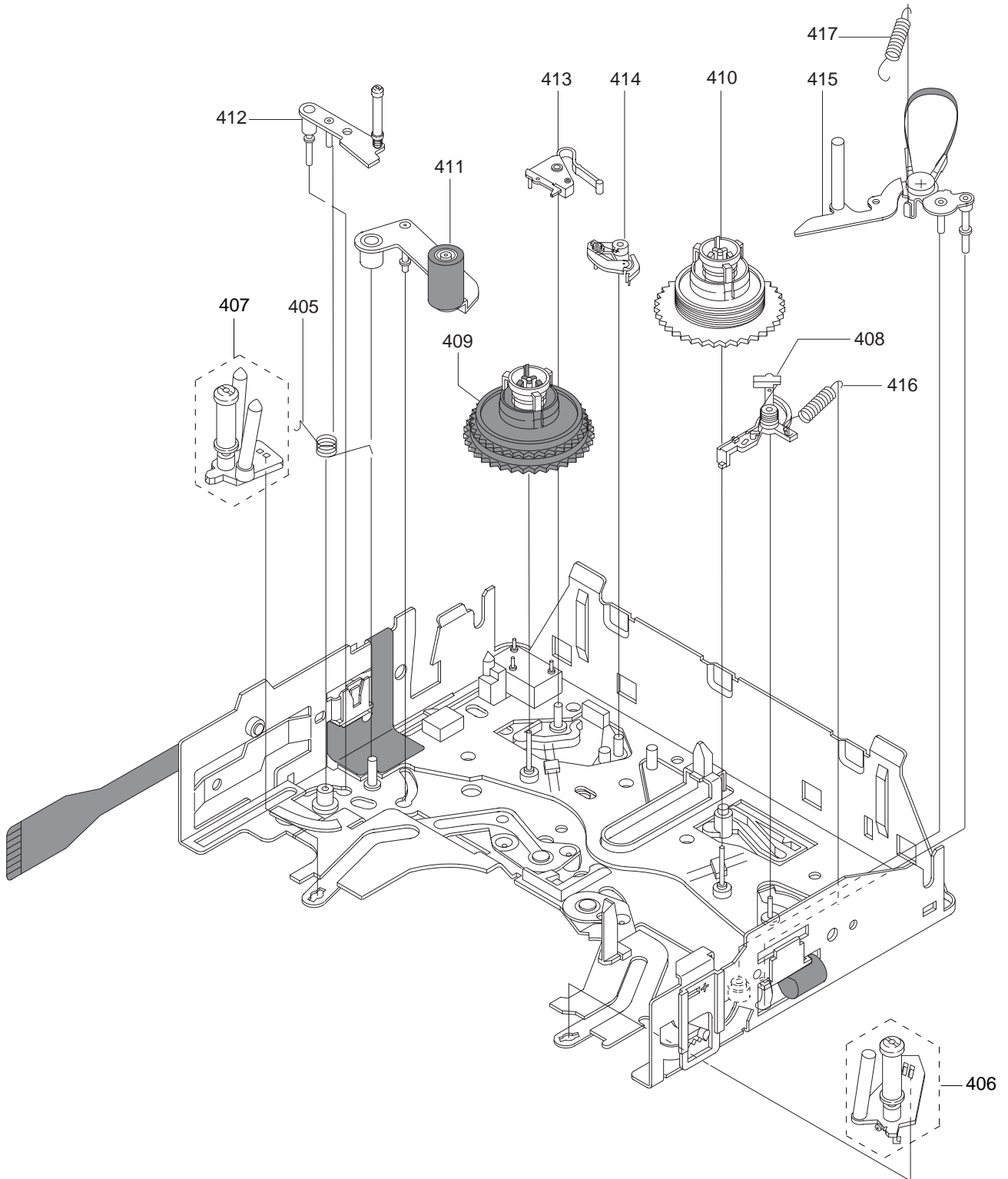
Loc. No	New Part No	Description and Specification	Remark
001	AC60-12083A	SCREW-MACHINE;B,BH,-,M1.7,L5,FE,WHT,-,-	
002	AD60-10500E	SCREW-MACHINE;- ,BWSH,+ ,UP,M2,L5,ZPCNYLOK	
003	AD60-10500D	SCREW-MACHINE;- ,BWSH,+ ,UP,M2,L7,ZPCNYLOK	
004	AC60-10017A	SCREW-MACHINE;BH,+ ,M1.7,X3.5,FEFZY,SWCH1	
005	AC60-12112A	SCREW-BH;- ,BH,+ ,M1.4,L2,-	
021	AC60-30015A	WASHER-SLIT;ID 1.1,OD 2.6,T 0.4,POLYSLID	
301	AD96-10473P	ASS'Y-HOUSING;DE-6B,-	
302	AD96-10471Z	ASS'Y-DRUM;DE6A-PH-SS,-	VP-L500/L520/L530/L530B/L550
	AD96-10471Y	ASS'Y-DRUM;DE6A-NH-SS,-	SCL500/L520/L530/L550
303	AD66-40153A	ROLLER-IMP ASS'Y;- ,YF-10,OD7,- ,DE-6	
304	AC61-72009A	CONTACT-EARTH BRUSH;SECC/PBSP/CR/C,- ,,- ,-	
305	AC63-32091A	COVER-DRUM;DURACON(M90-44),- ,,- ,,- ,,- ,DE-	
401	AC63-30009A	COVER-REEL ASS'Y;ABS 95,HB,- ,,- ,,- ,,- ,DE-6,-	
402	AC66-12035A	IDLER-ASS'Y;- ,,- ,,- ,DE-6	

5-7 Mechanical Parts (2)



Loc. No	New Part No	Description and Specification	Remark
004	AC60-10017A	SCREW-MACHINE;BH,+,M1.7,X3.5,FEFZY,SWCH1	
005	AC60-12112A	SCREW-BH;- ,BH,+,M1.4,L2,-	
020	AC60-30017A	WASHER-SLIT;ID 1,OD 2.6,T 0.4,POLYSLIDER	
501	AD31-12010A	MOTOR-CAPSTAN;DE-6B SHS,-,-	
	AD31-12001Q	MOTOR-CAPSTAN;DMCCHL06A(DE-6),-,-	
502	AC66-22123A	GEAR-CAPSTAN(ASS'Y);-,-,-,-,DE-6	
503	AC66-22124A	GEAR-PULLEY(ASS'Y);-,-,-,-,DE-6	
504	AC66-62001A	BELT-TIMMING;POLYURETHAN,L137 T0.4,-,-,-	
505	AC66-32197A	LEVER-CAM;SUS430-CP,T0.6,-,-,DE-6,-	
506	AC66-42005A	ROLLER-CAM MAIN;SUS303,-,-,PI3.5X1.1	
507	AC66-22092A	GEAR-CAM MAIN;SUS304-CSP,M0.5,Z64,-,-,-	
508	AC66-82055A	SLIDER-MAIN(ASS'Y);-,-,-,-,DE-6	
509	AC66-32198A	LEVER-EJECT;DURANEX #3300,-,-,-,DE-6,-	
510	AC34-22001C	SWITCH-MODE ASS'Y;HMW0484-01WA,DE-6,-,-,-	
511	AC66-22126A	GEAR-LOADING;DURACON(99-44),M0.4,Z37 WO,	
512	AC31-12001P	MOTOR-LOADING ASS'Y;DE-6,-,-	

5-8 Mechanical Parts (3)



Loc. No	New Part No	Description and Specification	Remark
405	AD61-60622A	SPRING-REVIEW ARM;PS SUS304-WPB PI0.3	
406	AC61-52014A	POLE-BASE S(ASS'Y);ZDC2/SUS303,-,-,-,DE	
407	AC61-52015A	POLE-BASE T(ASS'Y);ZDC2/SUS303,-,-,-,DE	
408	AC66-32221A	BRAKE-SUB S(ASS'Y);-,-,-,DE-6,-	
409	AC66-12042A	REEL-T(ASS'Y);-,-,-,DE-6	
410	AC66-12041A	REEL-S(ASS'Y);-,-,-,DE-6	
411	AC66-32217A	ARM-PINCH ROLLER(ASS;-,-,-,DE-6	
412	AC66-32213A	ARM-REVIEW ASS'Y;-,-,-,DE-6	
413	AC66-32223A	BRAKE-MAIN(T);DURACON(M904-44),-,-,-,-	
414	AC66-30120A	BRAKE-SOFT T (ASS'Y);-,-,-,DE-6,-	
415	AC66-30093A	ARM-TENSION (ASS'Y);SUS304-CSP POM FELT,-	
416	AC61-62022A	SPRING-SOFT BRAKE(S);-,SUS304,-,-,-,-	
417	AC61-62023A	SPRING-TENSION;- ,SUS304-WPB,-,-,-,-	

MEMO