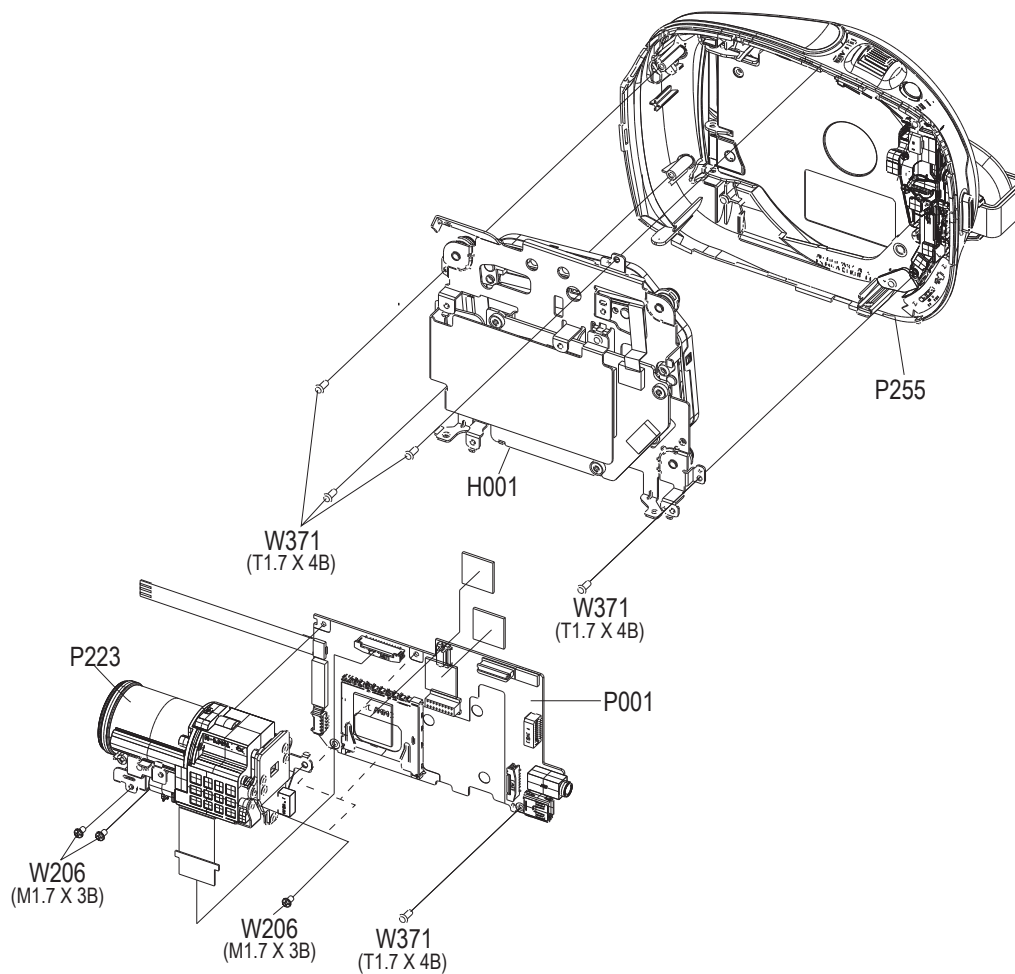

5. Exploded View and Parts List

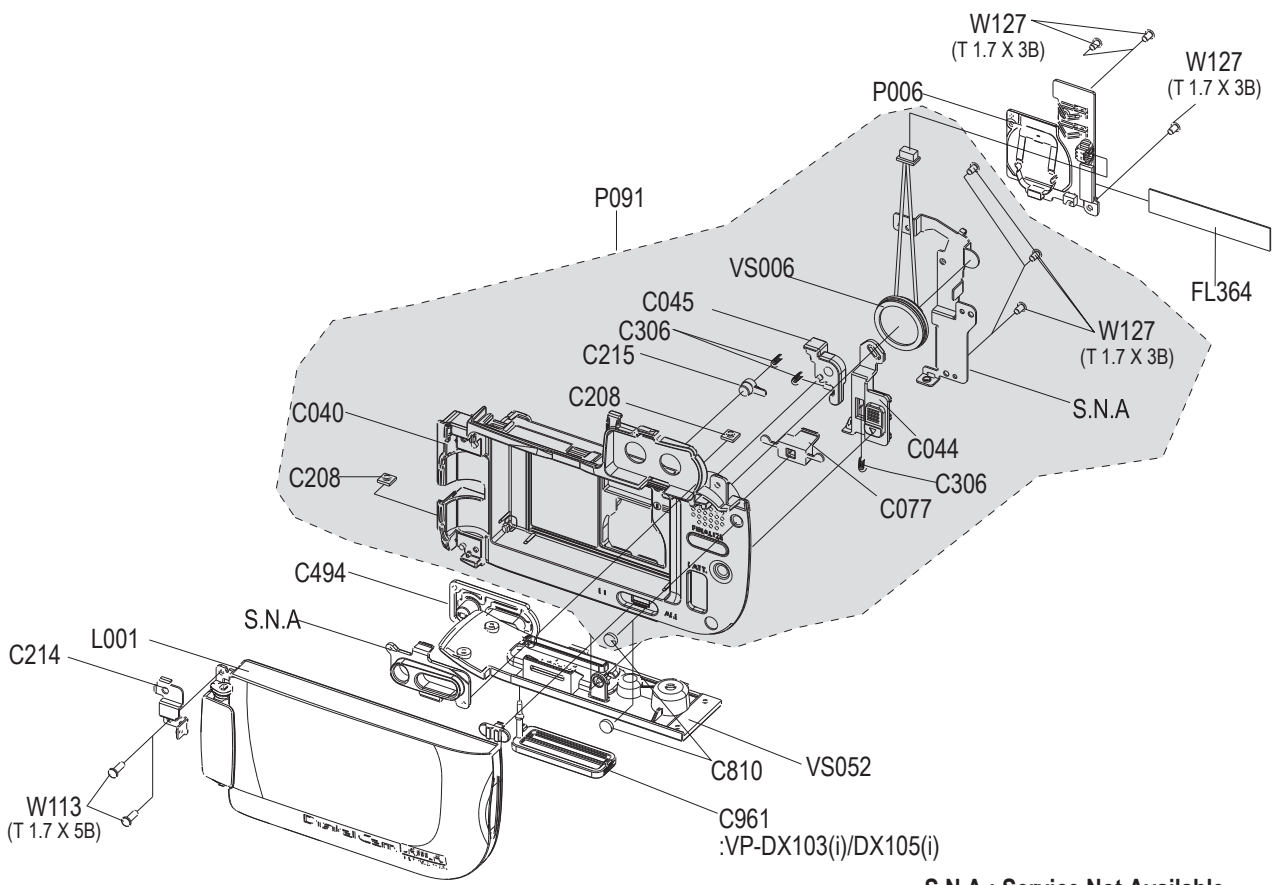
5-1 Ass'y Chassis	5-2
5-2 Ass'y Left	5-4
5-3 Ass'y Right	5-6
5-4 Ass'y LCD	5-8
5-5 Ass'y Top	5-10
5-6 Ass'y Eject	5-11
5-7 Ass'y Lens	5-12
5-8 Ass'y Rear	5-13
5-9 Ass'y Front	5-14
5-10 Electrical Parts List	5-15

5-1 Ass'y Chassis



Loc. No	Parts No.	Description ; Specification	Q ty	SNA	Remark
H001	AD97-13258A	ASSY-LOADER DVD;ASSY,RAINBOW3(1	SA	
P001	AD92-00153D	ASSY PCB-MAIN BOARD;DX100-PJ,VP-DX100/XE	1	SA	
P223	AD97-13244A	ASSY-CAMERA;RAINBOW3,PAL,ASSY-	1	SNA	
P255	AD97-13275B	ASSY-RIGHT;ASSY,SC-DX100,PHOTO(O)	1	SNA	
W206	6001-001373	SCREW-MACHINE;PH,T0.5,+,-,M1.7	3	SA	
W371	6003-001453	SCREW-TAPTITE;BH,+ ,B,M1.7,L4,Z	5	SA	

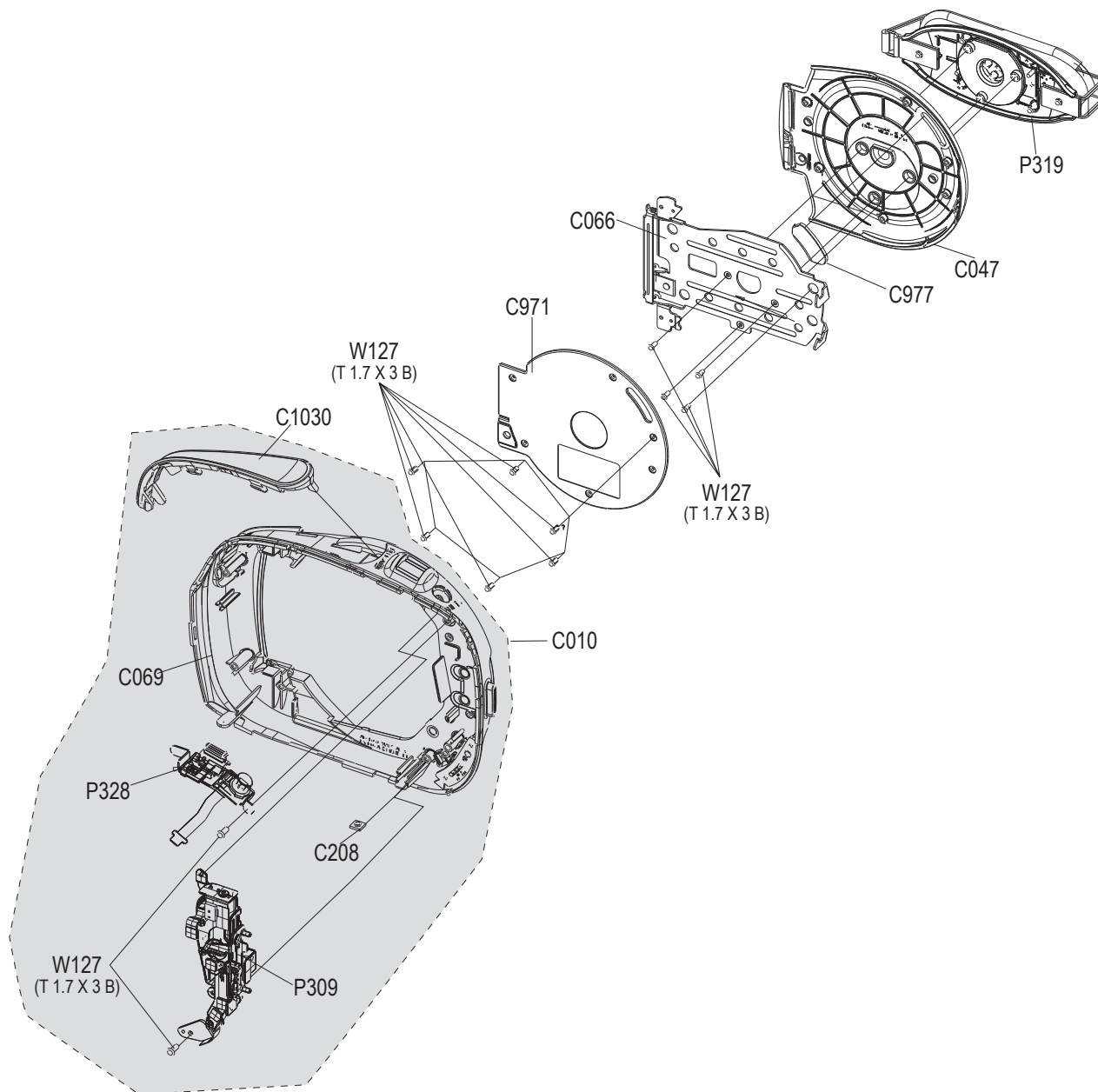
5-2 Ass'y Left



S.N.A : Service Not Available

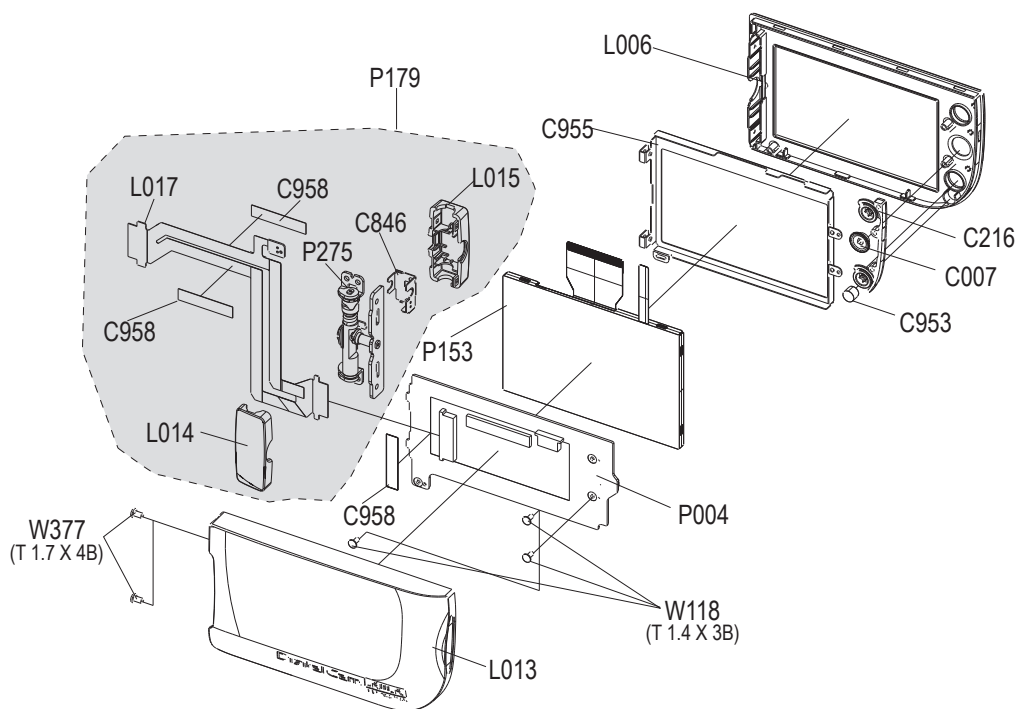
Loc. No	Parts No.	Description ; Specification	Q ty	SNA	Remark
C040	AD61-03092A	CASE-LEFT;DX100,ABS94HB,T23.2,W73.2,L99.	1	SNA	
C044	AD64-01723A	KNOB-EJECT BATTERY;DX100,ABS94	1	SNA	
C045	AD61-03078A	HOLDER-BATTERY EJECT;DX100,POM	1	SNA	
C077	AD61-03080A	HOLDER-SELECT;DX100,POM,T6.6,W	1	SNA	
C208	AD61-12033A	BRACKET-NUT;SV-D10,SECC,-,-,-,	2	SA	
C306	AD61-01625B	SPRING ETC-BATTERY EJECT;THETA	1	SA	
C494	AD64-01725A	BUTTON-EASY;DX100,ABS94HB,D14,	1	SNA	
C810	AD69-00678B	PAD-LCD;VP-D452N,PORON,T1.0,W4	2	SNA	
C214	AD61-03083A	BRACKET-GROUND LCD;DX100,SUS30	1	SA	
C215	AD64-01724A	BUTTON-BATTERY DETECT;DX100,AB	1	SA	
FL364	3809-002101	FFC CABLE-FLAT;30V,80,55mm,18P	1	SA	
L001	AD97-13272D	ASSY-LCD;ASSY,VP-DX100,-	1	SNA	
P006	AD92-00155B	ASSY PCB-LEFT BOARD;DX100-PJ,VP-DX100	1	SA	
P091	AD97-13271B	ASSY-CASE LEFT;ASSY,SC-DX100,USB(O)	1	SA	
VS006	AD97-04289D	ASSY-SPEAKER;ASSY SPEAKER,DX10	1	SA	
VS052	AD61-03091A	CASE-BOTTOM;DX100,ABS94HB,T9,W24.9,L80.7	1	SA	
W113	6002-001085	SCREW-TAPPING;CH,+,2,M1.7,L5,Z	2	SA	
W127	6003-001292	SCREW-TAPTITE;CH(0.3),+,B,M1.7	6	SA	

5-3 Ass'y Right



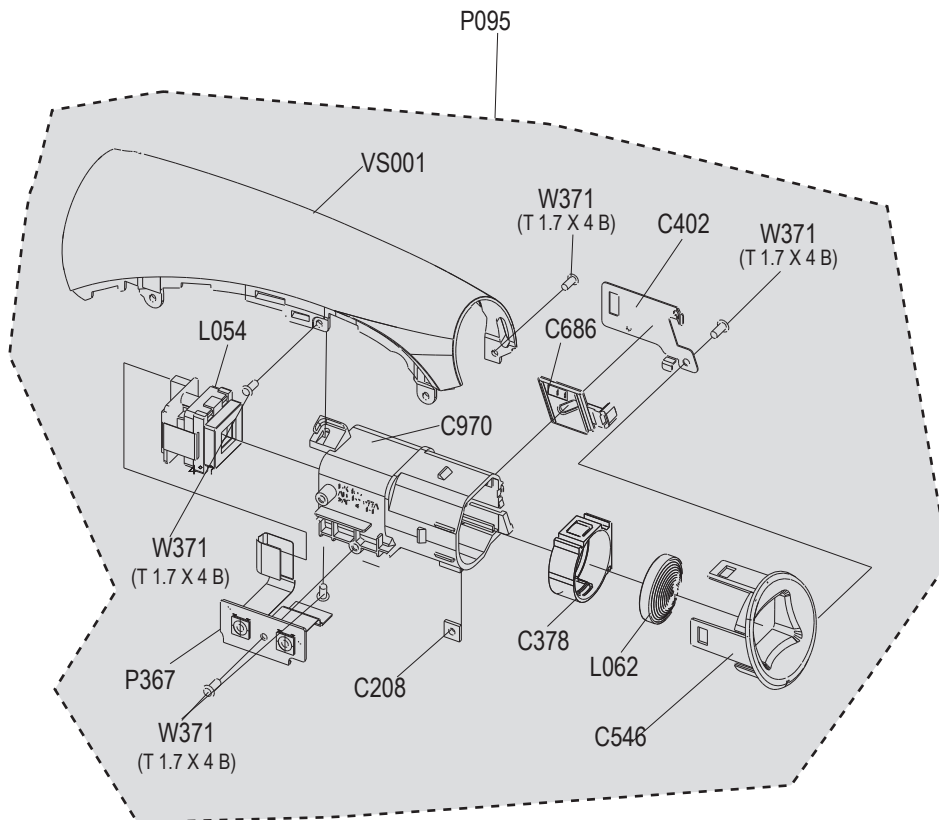
Loc. No	Parts No.	Description ; Specification	Q ty	SNA	Remark
C010	AD97-13267B	ASSY-CASE RIGHT;ASSY,SC-DX100,PHOTO(O)	1	SA	
C047	AD63-01207A	COVER-HOUSING;DX100,PC/ABS,T13	1	SA	
C066	AD97-13280A	ASSY-LINK HOUSING;ASSY,SC-DX10	1	SA	
C1030	AD63-01217A	GRIP-FINGER;DX100,URETHAN,T3.8	1	SNA	
C208	AD61-12033A	BRACKET-NUT;SV-D10,SECC,-,-,-,	1	SA	
C971	AD61-03069A	HOLDER-HOUSING;DX100,ABS94HB,T	1	SA	
C977	AD64-01721A	WINDOW-HOUSING;DX100,PC,T3.3,W	1	SA	
P309	AD97-12837A	ASSY-UNIT EJECT;ASSY,SC-DX10,-	1	SA	
P319	AD97-13281A	ASSY-GRIP;ASSY,SC-DX10,-	1	SA	
P328	AD97-13004C	ASSY-UNIT ZOOM TOP;ASSY,VP-DX100,-	1	SA	
W127	6003-001292	SCREW-TAPTITE;CH(0.3),+,B,M1.7	12	SA	

5-4 Ass'y LCD



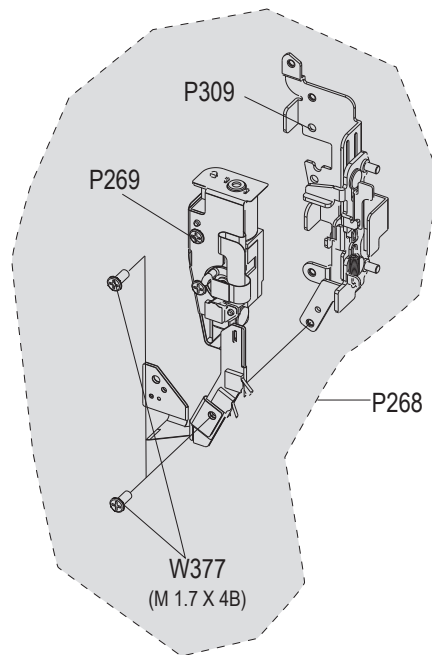
Loc. No	Parts No.	Description ; Specification	Q ty	SNA	Remark
C007	AD64-01715A	KNOB-JOY;DRAGON4-PJ,ABS 94HB +	1	SA	
C846	AD61-02906A	BRACKET-GUIDE FPC;MX10,SUS 304	1	SA	
C953	AD61-02281A	MAGNET-DETECT;Miniket-Mega-PJ,	1	SA	
C955	AD61-03089A	PLATE-GROUND DISPLAY;DX100,SUS	1	SA	
C958	AD63-00931A	SHEET-LCD;DRAGON2-PJ,VINYL,T0.	3	SNA	
C216	AD64-01727A	BUTTON-LCD DISPLAY;DX100,ABS94	1	SA	
L006	AD61-03038A	CASE-LCD TOP;DX100,PC/ABS,T8.3	1	SA	
L013	AD61-03039D	CASE-LCD BOTTOM;VP-DX100,PC/ABS,T8.3,W50	1	SA	
L014	AD63-01205A	COVER-HINGE TOP;DX100,PC/ABS,T	1	SA	
L015	AD63-01206A	COVER-HINGE BOTTOM;DX100,PC/AB	1	SA	
L017	AD97-13264A	ASSY-LCD FPC;RAINBOW3(DX100),V	1	SNA	
P004	AD92-00156A	ASSY PCB-LCD BOARD;VP-DX105/XE	1	SA	
P153	AD97-11959A	ASSY-LED BL;RAYGEN ASSY-LED BL	1	SA	
P179	AD97-13273A	ASSY-UNIT HINGE;ASSY,SC-DX100,	1	SA	
P275	AD97-13301A	ASSY-HINGE;ASSY,DRAGON4-PJ,SC-	1	SA	
W118	6003-001291	SCREW-TAPTITE;CH,+,B,M1.4,L3.0	3	SA	
W377	6001-001291	SCREW-MACHINE;CH(0.5),*,-,M1.7	2	SA	

5-5 Ass'y Top



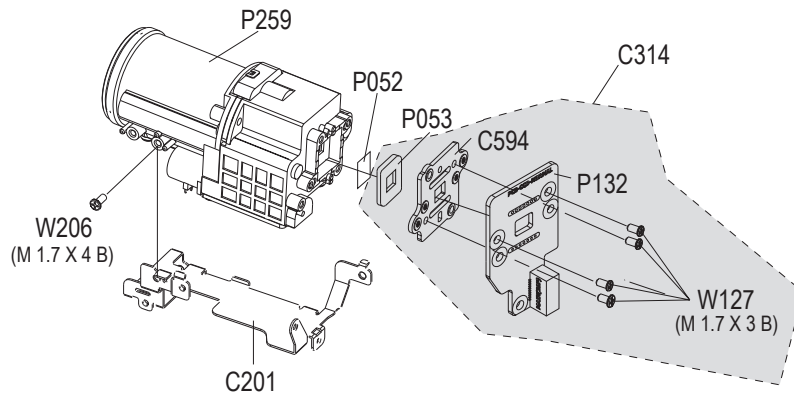
Loc. No	Parts No.	Description ; Specification	Q ty	SNA	Remark
C208	AD61-12033A	BRACKET-NUT;SV-D10,SECC,-,-,-,	1	SA	
C378	AD61-02956A	HOLDER-CVF LENS;SC-DX10,ABS HB	1	SA	
C402	AD61-03081A	BRACKET-CVF SLIDE;DX100,SUS304	1	SA	
C546	AD63-01202A	COVER-EYE CUP;DX100,ABS94HB,T2	1	SA	
C686	AD64-01722A	KNOB-CVF;DX100,ABS94HB,T4.9,W1	1	SA	
C970	AD61-03077A	HOLDER-CVF;DX100,ABS94HB,T24.5	1	SA	
P367	AD97-13262A	ASSY-CVF FPC;RAINBOW3(DX100),V	1	SA	
L054	AD97-10939A	ASSY-UNIT CVF;ASSY,RAINBOW1(33	1	SA	
L062	AD67-00250A	LENS-EVF 18X-G1;SHML-PJ,PMMA,W	1	SA	
P095	AD97-13279A	ASSY-TOP;ASSY,SC-DX100,-	1	SNA	
VS001	AD61-03035A	CASE-TOP;DX100,ABS94HB,T25.3,W	1	SA	
W371	6003-001453	SCREW-TAPTITE;BH,+ ,B,M1.7,L4,Z	4	SA	

5-6 Ass'y Eject



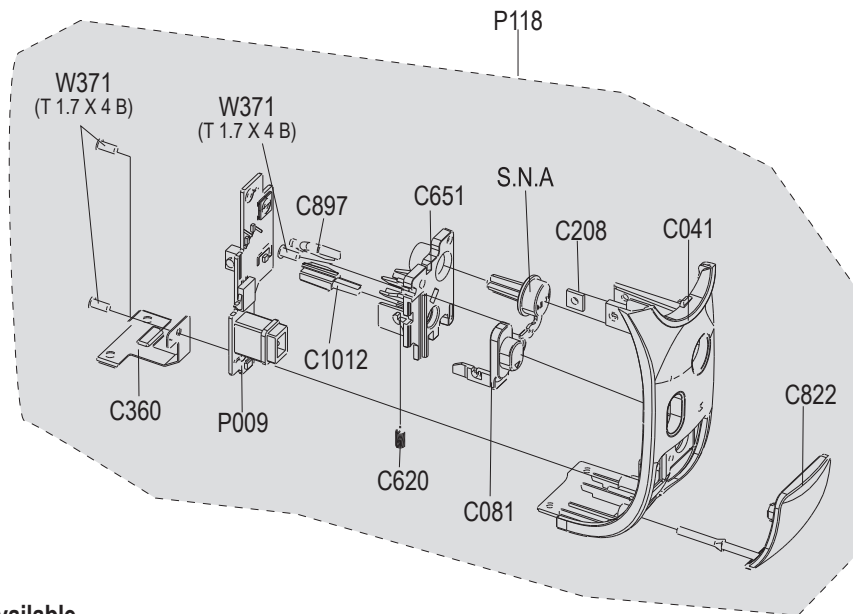
Loc. No	Parts No.	Description ; Specification	Q ty	SNA	Remark
P268	AD97-13320A	ASSY-EJECT;ASSY,DX100,-	1	SNA	
P269	AD97-13263A	ASSY-EJECT FPC;RAINBOW3(DX100)	1	SA	
P309	AD97-12837A	ASSY-UNIT EJECT;ASSY,SC-DX10,-	1	SA	
W377	6001-001291	SCREW-MACHINE;CH(0.5)*,-,M1.7	2	SA	

5-7 Ass'y Lens



Loc. No	Parts No.	Description ; Specification	Q ty	SNA	Remark
C201	AD61-03086A	BRACKET-LENS;DX100,SUS301,T0.5	1	SA	
C314	AD97-13248A	ASSY-CCD;RAINBOW3-PJ,PAL,ASSY-	1	SA	
C594	AD61-02357A	PLATE-CCD;DRAGON2-PJ,AL,T1,W21	1	SA	
P052	AD67-00369A	LENS FILTER-OLPF LSSS1;SPML,IR	1	SA	
P053	AD60-00053A	SPACER-CCD;ALPHA_PJ,SILICON,-,	1	SA	
P132	AD97-13251A	ASSY-CCD BOARD;RAINBOW3-PJ,NTS	1	SNA	
P259	AD97-12168A	ASSY-ZOOM LENS;ASSY,RAINBOW2-N	1	SA	
W127	6003-001292	SCREW-TAPTITE;CH(0.3),+,B,M1.7	4	SA	
W206	6001-001373	SCREW-MACHINE;PH,T0.5,+,-,M1.7	1	SA	

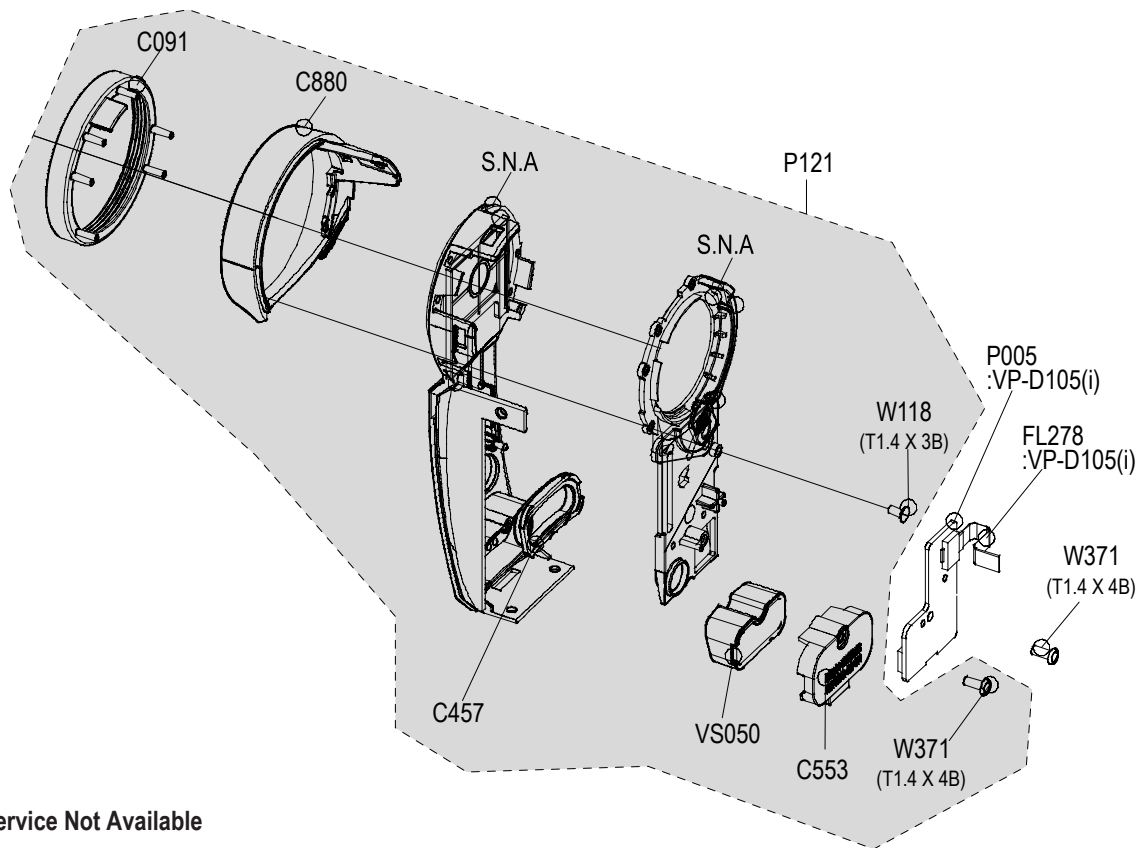
5-8 Ass'y Rear



S.N.A : Service Not Available

Loc. No	Parts No.	Description ; Specification	Q ty	SNA	Remark
C041	AD61-03090A	CASE-REAR;DX100,ABS,T27.8,W35.3,L67.3,SI	1	SNA	
C081	AD64-01717A	KNOB-POWER;DX100,ABS94HB,T5.8,	1	SNA	
C1012	AD64-01731A	INDICATOR-CHARGE;DX100,PMMA,T2	1	SNA	
C208	AD61-12033A	BRACKET-NUT;SV-D10,SECC,-,-,-,	1	SA	
C360	AD61-03082A	BRACKET-REAR;DX100,SUS304,T0.3	1	SNA	
C620	AD61-02914A	SPRING ETC-EJECT;SC-DX10,SUS30	1	SNA	
C651	AD61-03073A	HOLDER-POWER;DX100,ABS94HB,T10	1	SNA	
C822	AD63-01209A	COVER-JACK;DX100,ABS+URETHAN,T	1	SNA	
C897	AD64-01730A	INDICATOR-MODE;DX100,PMMA,T4.2	1	SNA	
P009	AD92-00152A	ASSY PCB-REAR BOARD;VP-DX105/X	1	SA	
P118	AD97-13277A	ASSY-REAR;ASSY,SC-DX100,USB(X)	1	SA	
W371	6003-001453	SCREW-TAPTITE;BH,+,B,M1.7,L4,Z	3	SA	

5-9 Ass'y Front



S.N.A : Service Not Available

Loc. No	Parts No.	Description ; Specification	Q ty	SNA	Remark
C091	AD61-03072A	HOLDER-HOOD;DX100,PC,T8.2,W32.	1	SNA	
C457	AD64-01733A	WINDOW-REMOCON;DX100,PMMA,T2.7,W9.2,L19.	1	SNA	
C553	AD61-03074A	HOLDER-MIC;DX100,ABS94HB,T4.8,	1	SA	
C880	AD67-00454A	LENS-HOOD;DX100,ABS,SIL,D35.2,	1	SNA	
P121	AD97-13274A	ASSY-CASE FRONT;ASSY,SC-DX100,LED(X) SCH	1	SA	
VS050	AD97-13307A	ASSY-MIC;ASSY,DX100,-	1	SA	
W118	6003-001291	SCREW-TAPTITE;CH,+,B,M1.4,L3.0	1	SA	
W371	6003-001453	SCREW-TAPTITE;BH,+,B,M1.7,L4,Z	2	SA	

5-10 Electrical Parts List

Loc.No	Loc.No	Description : Specification	Q'ty	S.N.A	Remark	Loc.No	Loc.No	Description : Specification	Q'ty	S.N.A	Remark
P001	AD92-00153D	ASSY PCB-MAIN BOARD-DX100-PIVP-DX100/KE	1	SA		C181	2404-000157	C-TA,CHIP;1uF,20%,35V,-,TP,3216	1	SA	
B301	3301-001649	BEAD-SMD;180ohm,1608,-,TP,-,226ohm/389M	1	SA		C182	2404-000157	C-TA,CHIP;1uF,20%,35V,-,TP,3216	1	SA	
BD02	3301-001649	BEAD-SMD;180ohm,1608,-,TP,-,226ohm/389M	1	SA		C185	2203-006320	C-CER,CHIP;2200nF,10%,16V,X7R,TP,2012	1	SA	
BD03	3301-001649	BEAD-SMD;180ohm,1608,-,TP,-,226ohm/389M	1	SA		C192	2203-006048	C-CER,CHIP;100nF,10%,10V,X7R,1005	1	SA	
C1005	2203-002793	C-CER,CHIP;1000nF,+80-20%,25V,Y5V,2012	1	SA		C196	2203-006048	C-CER,CHIP;100nF,10%,10V,X7R,1005	1	SA	
C1006	2203-002793	C-CER,CHIP;1000nF,+80-20%,25V,Y5V,2012	1	SA		C203	2404-001064	C-TA,CHIP;10UF,20%,6.3V,WT,TP,2012	1	SA	
C101	2404-001269	C-TA,CHIP;10uF,20%,20V,-,TP,3528	1	SA		C251	2203-006048	C-CER,CHIP;100nF,10%,10V,X7R,1005	1	SA	
C104	2203-006320	C-CER,CHIP;2200nF,10%,16V,X7R,TP,2012	1	SA		C252	2203-006048	C-CER,CHIP;100nF,10%,10V,X7R,1005	1	SA	
C105	2203-005344	C-CER,CHIP;22nF,10%,25V,X7R,TP,1005,-	1	SA		C301	2203-005655	C-CER,CHIP;1000nF,10%,6.3V,X5R,1608	1	SA	
C106	2203-005344	C-CER,CHIP;22nF,10%,25V,X7R,TP,1005,-	1	SA		C302	2203-005655	C-CER,CHIP;1000nF,10%,6.3V,X5R,1608	1	SA	
C107	2203-005344	C-CER,CHIP;22nF,10%,25V,X7R,TP,1005,-	1	SA		C303	2203-002487	C-CER,CHIP;4.7nF,10%,25V,X7R,1005	1	SA	
C108	2203-006048	C-CER,CHIP;100nF,10%,10V,X7R,1005	1	SA		C304	2203-002487	C-CER,CHIP;4.7nF,10%,25V,X7R,1005	1	SA	
C109	2203-000714	C-CER,CHIP;3.3nF,10%,50V,X7R,TP,1005,-	1	SA		C305	2203-005664	C-CER,CHIP;4700nF,10%,6.3V,X5R,2012	1	SC	
C110	2203-006048	C-CER,CHIP;100nF,10%,10V,X7R,1005	1	SA		C306	2203-005655	C-CER,CHIP;1000nF,10%,6.3V,X5R,1608	1	SA	
C111	2203-000585	C-CER,CHIP;0.22nF,10%,50V,X7R,1005	1	SA		C307	2203-006048	C-CER,CHIP;100nF,10%,10V,X7R,1005	1	SA	
C112	2203-000438	C-CER,CHIP;1nF,10%,50V,X7R,1005	1	SA		C308	2203-005664	C-CER,CHIP;4700nF,10%,6.3V,X5R,2012	1	SC	
C113	2203-000438	C-CER,CHIP;1nF,10%,50V,X7R,1005	1	SA		C310	2203-005655	C-CER,CHIP;1000nF,10%,6.3V,X5R,1608	1	SA	
C114	2203-005344	C-CER,CHIP;22nF,10%,25V,X7R,TP,1005,-	1	SA		C311	2203-005655	C-CER,CHIP;1000nF,10%,6.3V,X5R,1608	1	SA	
C115	2203-005344	C-CER,CHIP;22nF,10%,25V,X7R,TP,1005,-	1	SA		C312	2203-005655	C-CER,CHIP;1000nF,10%,6.3V,X5R,1608	1	SA	
C116	2203-005344	C-CER,CHIP;22nF,10%,25V,X7R,TP,1005,-	1	SA		C313	2203-005655	C-CER,CHIP;1000nF,10%,6.3V,X5R,1608	1	SA	
C117	2203-005344	C-CER,CHIP;22nF,10%,25V,X7R,TP,1005,-	1	SA		C314	2203-005627	C-CER,CHIP;470nF,10%,10V,X5R,1608	1	SA	
C118	2203-000940	C-CER,CHIP;0.47nF,10%,50V,X7R,1005	1	SA		C315	2203-005655	C-CER,CHIP;1000nF,10%,6.3V,X5R,1608	1	SA	
C119	2203-006320	C-CER,CHIP;2200nF,10%,16V,X7R,TP,2012	1	SA		C317	2203-005627	C-CER,CHIP;470nF,10%,10V,X5R,1608	1	SA	
C120	2203-006320	C-CER,CHIP;2200nF,10%,16V,X7R,TP,2012	1	SA		C318	2203-005627	C-CER,CHIP;470nF,10%,10V,X5R,1608	1	SA	
C121	2404-001020	C-TA,CHIP;10uF,20%,10V,GP,TP,3216	1	SA		C319	2203-005627	C-CER,CHIP;470nF,10%,10V,X5R,1608	1	SA	
C123	2203-006320	C-CER,CHIP;2200nF,10%,16V,X7R,TP,2012	1	SA		C320	2203-006048	C-CER,CHIP;100nF,10%,10V,X7R,1005	1	SA	
C124	2203-006320	C-CER,CHIP;2200nF,10%,16V,X7R,TP,2012	1	SA		C321	2203-005655	C-CER,CHIP;1000nF,10%,6.3V,X5R,1608	1	SA	
C125	2404-000284	C-TA,CHIP;10uF,20%,16V,-,TP,3528	1	SA		C322	2203-006378	C-CER,CHIP;4700nF,10%,6.3V,X5R,1608	1	SA	
C127	2203-006320	C-CER,CHIP;2200nF,10%,16V,X7R,TP,2012	1	SA		C323	2203-000972	C-CER,CHIP;47nF,10%,16V,X7R,1608	1	SA	
C133	2203-006320	C-CER,CHIP;2200nF,10%,16V,X7R,TP,2012	1	SA		C324	2203-006361	C-CER,CHIP;10000nF,10%,10V,X5R,2012	1	SA	
C134	2203-006320	C-CER,CHIP;2200nF,10%,16V,X7R,TP,2012	1	SA		C325	2203-005655	C-CER,CHIP;1000nF,10%,6.3V,X5R,1608	1	SA	
C135	2404-001325	C-TA,CHIP;22UF,20%,10V,WT,TP,3216	1	SA		C326	2203-006048	C-CER,CHIP;100nF,10%,10V,X7R,1005	1	SA	
C137	2203-006320	C-CER,CHIP;2200nF,10%,16V,X7R,TP,2012	1	SA		C327	2203-006048	C-CER,CHIP;100nF,10%,10V,X7R,1005	1	SA	
C139	2404-001325	C-TA,CHIP;22UF,20%,10V,WT,TP,3216	1	SA		C328	2203-006474	C-CER,CHIP;2200nF,20%,6.3V,X5R,2012	1	SA	
C140	2203-006320	C-CER,CHIP;2200nF,10%,16V,X7R,TP,2012	1	SA		C330	2203-006361	C-CER,CHIP;10000nF,10%,10V,X5R,2012	1	SA	
C141	2203-006320	C-CER,CHIP;2200nF,10%,16V,X7R,TP,2012	1	SA		C336	2203-006048	C-CER,CHIP;100nF,10%,10V,X7R,1005	1	SA	
C142	2203-006320	C-CER,CHIP;2200nF,10%,16V,X7R,TP,2012	1	SA		C337	2404-001325	C-TA,CHIP;22UF,20%,10V,WT,TP,3216	1	SA	
C143	2404-001325	C-TA,CHIP;22UF,20%,10V,WT,TP,3216	1	SA		C402	2203-006048	C-CER,CHIP;100nF,10%,10V,X7R,1005	1	SA	
C145	2203-006320	C-CER,CHIP;2200nF,10%,16V,X7R,TP,2012	1	SA		C404	2203-006048	C-CER,CHIP;100nF,10%,10V,X7R,1005	1	SA	
C146	2203-006320	C-CER,CHIP;2200nF,10%,16V,X7R,TP,2012	1	SA		C406	2203-006048	C-CER,CHIP;100nF,10%,10V,X7R,1005	1	SA	
C147	2404-001325	C-TA,CHIP;22UF,20%,10V,WT,TP,3216	1	SA		C408	2203-006048	C-CER,CHIP;100nF,10%,10V,X7R,1005	1	SA	
C149	2203-006320	C-CER,CHIP;2200nF,10%,16V,X7R,TP,2012	1	SA		C410	2203-006048	C-CER,CHIP;100nF,10%,10V,X7R,1005	1	SA	
C150	2203-005921	C-CER,CHIP;10000nF,20%,4V,X5R,TP,2012	1	SA		C412	2203-006048	C-CER,CHIP;100nF,10%,10V,X7R,1005	1	SA	
C151	2404-001325	C-TA,CHIP;22UF,20%,10V,WT,TP,3216	1	SA		C414	2203-006048	C-CER,CHIP;100nF,10%,10V,X7R,1005	1	SA	
C154	2203-002793	C-CER,CHIP;1000nF,+80-20%,25V,Y5V,2012	1	SA		C415	2203-006048	C-CER,CHIP;100nF,10%,10V,X7R,1005	1	SA	
C155	2203-002793	C-CER,CHIP;1000nF,+80-20%,25V,Y5V,2012	1	SA		C416	2203-006048	C-CER,CHIP;100nF,10%,10V,X7R,1005	1	SA	
C156	2203-002793	C-CER,CHIP;1000nF,+80-20%,25V,Y5V,2012	1	SA		C417	2203-006048	C-CER,CHIP;100nF,10%,10V,X7R,1005	1	SA	
C159	2203-002793	C-CER,CHIP;1000nF,+80-20%,25V,Y5V,2012	1	SA		C418	2203-006048	C-CER,CHIP;100nF,10%,10V,X7R,1005	1	SA	
C160	2203-002793	C-CER,CHIP;1000nF,+80-20%,25V,Y5V,2012	1	SA		C419	2203-006048	C-CER,CHIP;100nF,10%,10V,X7R,1005	1	SA	
C161	2203-002793	C-CER,CHIP;1000nF,+80-20%,25V,Y5V,2012	1	SA		C420	2203-006048	C-CER,CHIP;100nF,10%,10V,X7R,1005	1	SA	
C164	2203-002793	C-CER,CHIP;1000nF,+80-20%,25V,Y5V,2012	1	SA		C421	2203-006048	C-CER,CHIP;100nF,10%,10V,X7R,1005	1	SA	
C171	2203-002793	C-CER,CHIP;1000nF,+80-20%,25V,Y5V,2012	1	SA		C422	2203-006048	C-CER,CHIP;100nF,10%,10V,X7R,1005	1	SA	
C172	2203-002793	C-CER,CHIP;1000nF,+80-20%,25V,Y5V,2012	1	SA		C427	2203-006048	C-CER,CHIP;100nF,10%,10V,X7R,1005	1	SA	
C174	2203-002793	C-CER,CHIP;1000nF,+80-20%,25V,Y5V,2012	1	SA		C429	2203-006048	C-CER,CHIP;100nF,10%,10V,X7R,1005	1	SA	
C175	2203-002793	C-CER,CHIP;1000nF,+80-20%,25V,Y5V,2012	1	SA		C430	2203-006048	C-CER,CHIP;100nF,10%,10V,X7R,1005	1	SA	
C177	2203-002793	C-CER,CHIP;1000nF,+80-20%,25V,Y5V,2012	1	SA		C431	2203-006048	C-CER,CHIP;100nF,10%,10V,X7R,1005	1	SA	

Exploded Views and Parts List

Loc.No	Loc.No	Description : Specification	Q'ty	S.N.A	Remark	Loc.No	Loc.No	Description : Specification	Q'ty	S.N.A	Remark
C432	2203-006048	C-CER,CHIP;100nF,10%,10V,X7R,1005	1	SA		C633	2203-006320	C-CER,CHIP;2200nF,10%,16V,X7R,TP,2012	1	SA	
C439	2203-006048	C-CER,CHIP;100nF,10%,10V,X7R,1005	1	SA		C634	2203-006048	C-CER,CHIP;100nF,10%,10V,X7R,1005	1	SA	
C440	2203-006048	C-CER,CHIP;100nF,10%,10V,X7R,1005	1	SA		C635	2203-006048	C-CER,CHIP;100nF,10%,10V,X7R,1005	1	SA	
C441	2203-006048	C-CER,CHIP;100nF,10%,10V,X7R,1005	1	SA		C636	2203-006048	C-CER,CHIP;100nF,10%,10V,X7R,1005	1	SA	
C444	2203-006048	C-CER,CHIP;100nF,10%,10V,X7R,1005	1	SA		C705	2203-000254	C-CER,CHIP;10nF,10%,16V,X7R,1005	1	SA	
C445	2203-006048	C-CER,CHIP;100nF,10%,10V,X7R,1005	1	SA		C707	2203-005055	C-CER,CHIP;0.0056nF,0.25pF,50V,NP0,TP,10	1	SA	
C446	2203-006048	C-CER,CHIP;100nF,10%,10V,X7R,1005	1	SA		C708	2203-000278	C-CER,CHIP;0.01nF,0.5pF,50V,COG,1005	1	SA	
C447	2203-006048	C-CER,CHIP;100nF,10%,10V,X7R,1005	1	SA		C709	2203-000254	C-CER,CHIP;10nF,10%,16V,X7R,1005	1	SA	
C448	2203-006048	C-CER,CHIP;100nF,10%,10V,X7R,1005	1	SA		C710	2404-001020	C-TA,CHIP;10uF,20%,10V,GP,TP,3216	1	SA	
C451	2203-006048	C-CER,CHIP;100nF,10%,10V,X7R,1005	1	SA		C712	2203-000254	C-CER,CHIP;10nF,10%,16V,X7R,1005	1	SA	
C460	2404-001020	C-TA,CHIP;10uF,20%,10V,GP,TP,3216	1	SA		C714	2203-006048	C-CER,CHIP;100nF,10%,10V,X7R,1005	1	SA	
C461	2203-000254	C-CER,CHIP;10nF,10%,16V,X7R,1005	1	SA		C715	2203-005055	C-CER,CHIP;0.0056nF,0.25pF,50V,NP0,TP,10	1	SA	
C462	2404-001020	C-TA,CHIP;10uF,20%,10V,GP,TP,3216	1	SA		C716	2203-000278	C-CER,CHIP;0.01nF,0.5pF,50V,COG,1005	1	SA	
C463	2203-000254	C-CER,CHIP;10nF,10%,16V,X7R,1005	1	SA		C720	2203-000254	C-CER,CHIP;10nF,10%,16V,X7R,1005	1	SA	
C464	2203-006048	C-CER,CHIP;100nF,10%,10V,X7R,1005	1	SA		C721	2203-000254	C-CER,CHIP;10nF,10%,16V,X7R,1005	1	SA	
C465	2203-006048	C-CER,CHIP;100nF,10%,10V,X7R,1005	1	SA		C722	2203-000254	C-CER,CHIP;10nF,10%,16V,X7R,1005	1	SA	
C466	2203-006048	C-CER,CHIP;100nF,10%,10V,X7R,1005	1	SA		C723	2203-000254	C-CER,CHIP;10nF,10%,16V,X7R,1005	1	SA	
C467	2203-006048	C-CER,CHIP;100nF,10%,10V,X7R,1005	1	SA		C726	2203-006320	C-CER,CHIP;2200nF,10%,16V,X7R,TP,2012	1	SA	
C468	2404-001064	C-TA,CHIP;10UF,20%,6.3V,WT,TP,2012	1	SA		C731	2203-000254	C-CER,CHIP;10nF,10%,16V,X7R,1005	1	SA	
C501	2404-001020	C-TA,CHIP;10uF,20%,10V,GP,TP,3216	1	SA		C733	2203-000254	C-CER,CHIP;10nF,10%,16V,X7R,1005	1	SA	
C502	2203-006048	C-CER,CHIP;100nF,10%,10V,X7R,1005	1	SA		C734	2203-000254	C-CER,CHIP;10nF,10%,16V,X7R,1005	1	SA	
C505	2203-006048	C-CER,CHIP;100nF,10%,10V,X7R,1005	1	SA		C735	2203-006048	C-CER,CHIP;100nF,10%,10V,X7R,1005	1	SA	
C506	2203-006048	C-CER,CHIP;100nF,10%,10V,X7R,1005	1	SA		CA01	2203-006048	C-CER,CHIP;100nF,10%,10V,X7R,1005	1	SA	
C507	2203-006048	C-CER,CHIP;100nF,10%,10V,X7R,1005	1	SA		CA02	2404-001064	C-TA,CHIP;10UF,20%,6.3V,WT,TP,2012	1	SA	
C508	2203-006048	C-CER,CHIP;100nF,10%,10V,X7R,1005	1	SA		CA03	2203-000815	C-CER,CHIP;0.033nF,5%,50V,COG,1608	1	SA	
C509	2203-006048	C-CER,CHIP;100nF,10%,10V,X7R,1005	1	SA		CA04	2203-002793	C-CER,CHIP;1000nF,+80-20%,25V,Y5V,2012	1	SA	
C510	2203-006048	C-CER,CHIP;100nF,10%,10V,X7R,1005	1	SA		CA05	2203-006048	C-CER,CHIP;100nF,10%,10V,X7R,1005	1	SA	
C511	2203-006048	C-CER,CHIP;100nF,10%,10V,X7R,1005	1	SA		CA06	2203-006048	C-CER,CHIP;100nF,10%,10V,X7R,1005	1	SA	
C512	2203-006048	C-CER,CHIP;100nF,10%,10V,X7R,1005	1	SA		CA07	2203-006048	C-CER,CHIP;100nF,10%,10V,X7R,1005	1	SA	
C514	2203-006048	C-CER,CHIP;100nF,10%,10V,X7R,1005	1	SA		CA08	2203-005627	C-CER,CHIP;470nF,10%,10V,X5R,1608	1	SA	
C602	2203-006048	C-CER,CHIP;100nF,10%,10V,X7R,1005	1	SA		CA09	2203-006048	C-CER,CHIP;100nF,10%,10V,X7R,1005	1	SA	
C603	2203-006320	C-CER,CHIP;2200nF,10%,16V,X7R,TP,2012	1	SA		CA10	2203-006048	C-CER,CHIP;100nF,10%,10V,X7R,1005	1	SA	
C605	2203-005993	C-CER,CHIP;68nF,10%,16V,X7R,TP,1005	1	SA		CA11	2203-006048	C-CER,CHIP;100nF,10%,10V,X7R,1005	1	SA	
C606	2203-002487	C-CER,CHIP;4.7nF,10%,25V,X7R,1005	1	SA		CA12	2404-001064	C-TA,CHIP;10UF,20%,6.3V,WT,TP,2012	1	SA	
C607	2203-000233	C-CER,CHIP;0.1nF,5%,50V,COG,1005	1	SA		CD01	2203-006048	C-CER,CHIP;100nF,10%,10V,X7R,1005	1	SA	
C608	2203-000233	C-CER,CHIP;0.1nF,5%,50V,COG,1005	1	SA		CD02	2203-000254	C-CER,CHIP;10nF,10%,16V,X7R,1005	1	SA	
C609	2203-000233	C-CER,CHIP;0.1nF,5%,50V,COG,1005	1	SA		CD03	2203-006048	C-CER,CHIP;100nF,10%,10V,X7R,1005	1	SA	
C610	2203-000233	C-CER,CHIP;0.1nF,5%,50V,COG,1005	1	SA		CD04	2203-006048	C-CER,CHIP;100nF,10%,10V,X7R,1005	1	SA	
C611	2203-000233	C-CER,CHIP;0.1nF,5%,50V,COG,1005	1	SA		CD05	2203-006048	C-CER,CHIP;100nF,10%,10V,X7R,1005	1	SA	
C612	2203-000233	C-CER,CHIP;0.1nF,5%,50V,COG,1005	1	SA		CD06	2203-006048	C-CER,CHIP;100nF,10%,10V,X7R,1005	1	SA	
C613	2203-000233	C-CER,CHIP;0.1nF,5%,50V,COG,1005	1	SA		CD09	2203-006048	C-CER,CHIP;100nF,10%,10V,X7R,1005	1	SA	
C614	2203-000233	C-CER,CHIP;0.1nF,5%,50V,COG,1005	1	SA		CD10	2203-001221	C-CER,CHIP;0.82NF,10%,50V,X7R,TP,1005	1	SA	
C615	2203-000233	C-CER,CHIP;0.1nF,5%,50V,COG,1005	1	SA		CD104	2203-005055	C-CER,CHIP;0.0056nF,0.25pF,50V,NP0,TP,10	1	SA	
C616	2203-000233	C-CER,CHIP;0.1nF,5%,50V,COG,1005	1	SA		CD105	2203-005055	C-CER,CHIP;0.0056nF,0.25pF,50V,NP0,TP,10	1	SA	
C617	2203-000233	C-CER,CHIP;0.1nF,5%,50V,COG,1005	1	SA		CD106	2203-005664	C-CER,CHIP;4700nF,10%,6.3V,X5R,2012	1	SC	
C618	2404-001285	C-TA,CHIP;4.7UF,20%,10V,WT,TP,2012	1	SA		CD18	2203-006048	C-CER,CHIP;100nF,10%,10V,X7R,1005	1	SA	
C619	2203-006048	C-CER,CHIP;100nF,10%,10V,X7R,1005	1	SA		CD19	2203-006048	C-CER,CHIP;100nF,10%,10V,X7R,1005	1	SA	
C620	2404-001285	C-TA,CHIP;4.7UF,20%,10V,WT,TP,2012	1	SA		CD20	2203-006048	C-CER,CHIP;100nF,10%,10V,X7R,1005	1	SA	
C621	2203-006048	C-CER,CHIP;100nF,10%,10V,X7R,1005	1	SA		CD21	2203-006048	C-CER,CHIP;100nF,10%,10V,X7R,1005	1	SA	
C622	2203-006048	C-CER,CHIP;100nF,10%,10V,X7R,1005	1	SA		CD22	2203-006048	C-CER,CHIP;100nF,10%,10V,X7R,1005	1	SA	
C623	2203-006048	C-CER,CHIP;100nF,10%,10V,X7R,1005	1	SA		CD23	2203-006048	C-CER,CHIP;100nF,10%,10V,X7R,1005	1	SA	
C624	2203-006320	C-CER,CHIP;2200nF,10%,16V,X7R,TP,2012	1	SA		CD24	2203-006048	C-CER,CHIP;100nF,10%,10V,X7R,1005	1	SA	
C625	2203-006048	C-CER,CHIP;100nF,10%,10V,X7R,1005	1	SA		CD25	2203-006048	C-CER,CHIP;100nF,10%,10V,X7R,1005	1	SA	
C626	2203-006048	C-CER,CHIP;100nF,10%,10V,X7R,1005	1	SA		CD26	2203-006048	C-CER,CHIP;100nF,10%,10V,X7R,1005	1	SA	
C627	2203-006048	C-CER,CHIP;100nF,10%,10V,X7R,1005	1	SA		CD28	2203-006048	C-CER,CHIP;100nF,10%,10V,X7R,1005	1	SA	
C628	2203-006048	C-CER,CHIP;100nF,10%,10V,X7R,1005	1	SA		CD29	2203-006048	C-CER,CHIP;100nF,10%,10V,X7R,1005	1	SA	
C629	2203-006048	C-CER,CHIP;100nF,10%,10V,X7R,1005	1	SA		CD30	2203-006048	C-CER,CHIP;100nF,10%,10V,X7R,1005	1	SA	
C630	2203-006048	C-CER,CHIP;100nF,10%,10V,X7R,1005	1	SA		CD31	2203-006048	C-CER,CHIP;100nF,10%,10V,X7R,1005	1	SA	
C631	2203-006048	C-CER,CHIP;100nF,10%,10V,X7R,1005	1	SA		CD32	2203-006048	C-CER,CHIP;100nF,10%,10V,X7R,1005	1	SA	

Exploded Views and Parts List

Loc.No	Loc.No	Description : Specification	Q'ty	S.N.A	Remark	Loc.No	Loc.No	Description : Specification	Q'ty	S.N.A	Remark
Q137	0501-000225	TR-SMALL SIGNAL;2SC4617,NPN,200mW,EM3,TP	1	SA		R151	2007-000171	R-CHIP;0ohm,5%,1/16W,TP,1005	1	SA	
Q138	0504-000168	TR-DIGITAL;RN1104,NPN,100mW,47K/47Kohm,S	1	SA		R152	2007-007313	R-CHIP;6.8Kohm,1%,1/16W,TP,1005	1	SA	
Q301	0501-002374	TR-SMALL SIGNAL;EMZ1,NPN/PNP,150MW,EMT6,	1	SA		R153	2007-007132	R-CHIP;15Kohm,1%,1/16W,TP,1005	1	SA	
Q304	0504-000168	TR-DIGITAL;RN1104,NPN,100mW,47K/47Kohm,S	1	SA		R154	2007-007306	R-CHIP;100ohm,1%,1/16W,TP,1005	1	SA	
Q305	0504-001101	TR-DIGITAL;EMD2,NPN/PNP,150mW,22K/22Kohm	1	SA		R155	2007-008391	R-CHIP;6.34Kohm,1%,1/16W,TP,1005	1	SA	
Q306	0501-002373	TR-SMALL SIGNAL;EMX2,NPN,150MW,EMT6,TP,1	1	SA		R156	2007-007142	R-CHIP;10Kohm,1%,1/16W,TP,1005	1	SA	
Q307	0501-002373	TR-SMALL SIGNAL;EMX2,NPN,150MW,EMT6,TP,1	1	SA		R157	2007-000171	R-CHIP;0ohm,5%,1/16W,TP,1005	1	SA	
Q702	0501-000225	TR-SMALL SIGNAL;2SC4617,NPN,200mW,EM3,TP	1	SA		R160	2007-007142	R-CHIP;10Kohm,1%,1/16W,TP,1005	1	SA	
Q703	0504-000168	TR-DIGITAL;RN1104,NPN,100mW,47K/47Kohm,S	1	SA		R161	2007-007309	R-CHIP;12Kohm,1%,1/16W,TP,1005	1	SA	
Q704	0504-000168	TR-DIGITAL;RN1104,NPN,100mW,47K/47Kohm,S	1	SA		R173	2007-000153	R-CHIP;22Kohm,5%,1/16W,TP,1005	1	SA	
Q705	0501-000225	TR-SMALL SIGNAL;2SC4617,NPN,200mW,EM3,TP	1	SA		R174	2007-001325	R-CHIP;3.3Kohm,5%,1/16W,TP,1005	1	SA	
Q706	0501-000552	TR-SMALL SIGNAL;2SA1774-Q,PNP,150mW,EM3,	1	SA		R175	2007-000153	R-CHIP;22Kohm,5%,1/16W,TP,1005	1	SA	
Q707	0501-000552	TR-SMALL SIGNAL;2SA1774-Q,PNP,150mW,EM3,	1	SA		R176	2007-001325	R-CHIP;3.3Kohm,5%,1/16W,TP,1005	1	SA	
Q711	0502-001266	TR-POWER;KTA1532T,PNP,900mW,TSM,TP,200/	1	SA		R177	2007-000153	R-CHIP;22Kohm,5%,1/16W,TP,1005	1	SA	
Q712	0504-000168	TR-DIGITAL;RN1104,NPN,100mW,47K/47Kohm,S	1	SA		R178	2007-001325	R-CHIP;3.3Kohm,5%,1/16W,TP,1005	1	SA	
QC01	0504-001102	TR-DIGITAL;EMD3,NPN/PNP,150mW,10K/10K,EM	1	SA		R179	2007-000153	R-CHIP;22Kohm,5%,1/16W,TP,1005	1	SA	
QC02	0501-000172	TR-SMALL SIGNAL;2SB1121T-TD-E,PNP,500mW,	1	SA		R180	2007-001325	R-CHIP;3.3Kohm,5%,1/16W,TP,1005	1	SA	
QC03	0501-000172	TR-SMALL SIGNAL;2SB1121T-TD-E,PNP,500mW,	1	SA		R190	2007-000171	R-CHIP;0ohm,5%,1/16W,TP,1005	1	SA	
QC04	0504-000168	TR-DIGITAL;RN1104,NPN,100mW,47K/47Kohm,S	1	SA		R191	2007-000164	R-CHIP;150Kohm,5%,1/16W,TP,1005	1	SA	
QP01	0505-002153	FET/SBD;VEC2819,P,-20V,-3.5A,0.072ohm,	1	SA		R199	2007-007470	R-CHIP;7.5Kohm,1%,1/16W,TP,1005	1	SA	
QP05	0504-000168	TR-DIGITAL;RN1104,NPN,100mW,47K/47Kohm,S	1	SA		R251	2007-008015	R-CHIP;75ohm,1%,1/16W,TP,1005	1	SA	
QP06	0504-000168	TR-DIGITAL;RN1104,NPN,100mW,47K/47Kohm,S	1	SA		R303	2007-008015	R-CHIP;75ohm,1%,1/16W,TP,1005	1	SA	
QZ01	0501-000225	TR-SMALL SIGNAL;2SC4617,NPN,200mW,EM3,TP	1	SA		R304	2007-000141	R-CHIP;2.2Kohm,5%,1/16W,TP,1005	1	SA	
R101	2007-000171	R-CHIP;0ohm,5%,1/16W,TP,1005	1	SA		R305	2007-000141	R-CHIP;2.2Kohm,5%,1/16W,TP,1005	1	SA	
R102	2007-007107	R-CHIP;100Kohm,1%,1/16W,TP,1005	1	SA		R306	2007-000141	R-CHIP;2.2Kohm,5%,1/16W,TP,1005	1	SA	
R103	2007-007134	R-CHIP;39Kohm,1%,1/16W,TP,1005	1	SA		R307	2007-000141	R-CHIP;2.2Kohm,5%,1/16W,TP,1005	1	SA	
R105	2007-007309	R-CHIP;12Kohm,1%,1/16W,TP,1005	1	SA		R308	2007-000140	R-CHIP;1Kohm,5%,1/16W,TP,1005	1	SA	
R106	2007-007946	R-CHIP;470Kohm,1%,1/16W,TP,1005	1	SA		R309	2007-000140	R-CHIP;1Kohm,5%,1/16W,TP,1005	1	SA	
R107	2007-007946	R-CHIP;470Kohm,1%,1/16W,TP,1005	1	SA		R310	2007-000932	R-CHIP;470ohm,5%,1/16W,TP,1005	1	SA	
R108	2007-000152	R-CHIP;20Kohm,5%,1/16W,TP,1005	1	SA		R311	2007-000141	R-CHIP;2.2Kohm,5%,1/16W,TP,1005	1	SA	
R109	2007-000162	R-CHIP;100Kohm,5%,1/16W,TP,1005	1	SA		R312	2007-000141	R-CHIP;2.2Kohm,5%,1/16W,TP,1005	1	SA	
R1100	2007-007132	R-CHIP;15Kohm,1%,1/16W,TP,1005	1	SA		R313	2007-000140	R-CHIP;1Kohm,5%,1/16W,TP,1005	1	SA	
R116	2007-000982	R-CHIP;5.6Kohm,5%,1/16W,TP,1005	1	SA		R314	2007-000140	R-CHIP;1Kohm,5%,1/16W,TP,1005	1	SA	
R117	2007-000982	R-CHIP;5.6Kohm,5%,1/16W,TP,1005	1	SA		R315	2007-000157	R-CHIP;47Kohm,5%,1/16W,TP,1005	1	SA	
R118	2007-000982	R-CHIP;5.6Kohm,5%,1/16W,TP,1005	1	SA		R316	2007-000157	R-CHIP;47Kohm,5%,1/16W,TP,1005	1	SA	
R119	2007-000982	R-CHIP;5.6Kohm,5%,1/16W,TP,1005	1	SA		R317	2007-000141	R-CHIP;2.2Kohm,5%,1/16W,TP,1005	1	SA	
R120	2007-000152	R-CHIP;20Kohm,5%,1/16W,TP,1005	1	SA		R318	2007-000141	R-CHIP;2.2Kohm,5%,1/16W,TP,1005	1	SA	
R121	2007-000932	R-CHIP;470ohm,5%,1/16W,TP,1005	1	SA		R426	2007-000173	R-CHIP;22ohm,5%,1/16W,TP,1005	1	SA	
R122	2007-008300	R-CHIP;5.1Kohm,1%,1/16W,TP,1005	1	SA		R429	2007-000173	R-CHIP;22ohm,5%,1/16W,TP,1005	1	SA	
R123	2007-008417	R-CHIP;34Kohm,1%,1/16W,TP,1005	1	SA		R430	2007-000173	R-CHIP;22ohm,5%,1/16W,TP,1005	1	SA	
R124	2007-007318	R-CHIP;1Kohm,1%,1/16W,TP,1005	1	SA		R431	2007-000173	R-CHIP;22ohm,5%,1/16W,TP,1005	1	SA	
R125	2007-007132	R-CHIP;15Kohm,1%,1/16W,TP,1005	1	SA		R432	2007-000173	R-CHIP;22ohm,5%,1/16W,TP,1005	1	SA	
R126	2007-007312	R-CHIP;20Kohm,1%,1/16W,TP,1005	1	SA		R433	2007-000173	R-CHIP;22ohm,5%,1/16W,TP,1005	1	SA	
R127	2007-007142	R-CHIP;10Kohm,1%,1/16W,TP,1005	1	SA		R434	2007-007318	R-CHIP;1Kohm,1%,1/16W,TP,1005	1	SA	
R128	2007-008037	R-CHIP;57.6Kohm,1%,1/16W,TP,1005	1	SA		R435	2007-000140	R-CHIP;1Kohm,5%,1/16W,TP,1005	1	SA	
R129	2007-008391	R-CHIP;6.34Kohm,1%,1/16W,TP,1005	1	SA		R438	2007-007306	R-CHIP;100ohm,1%,1/16W,TP,1005	1	SA	
R130	2007-007318	R-CHIP;1Kohm,1%,1/16W,TP,1005	1	SA		R440	2007-007306	R-CHIP;100ohm,1%,1/16W,TP,1005	1	SA	
R131	2007-007310	R-CHIP;8.2Kohm,1%,1/16W,TP,1005	1	SA		R442	2007-000140	R-CHIP;1Kohm,5%,1/16W,TP,1005	1	SA	
R132	2007-007142	R-CHIP;10Kohm,1%,1/16W,TP,1005	1	SA		R443	2007-000173	R-CHIP;22ohm,5%,1/16W,TP,1005	1	SA	
R133	2007-007318	R-CHIP;1Kohm,1%,1/16W,TP,1005	1	SA		R444	2007-000173	R-CHIP;22ohm,5%,1/16W,TP,1005	1	SA	
R134	2007-007310	R-CHIP;8.2Kohm,1%,1/16W,TP,1005	1	SA		R445	2007-000173	R-CHIP;22ohm,5%,1/16W,TP,1005	1	SA	
R135	2007-007142	R-CHIP;10Kohm,1%,1/16W,TP,1005	1	SA		R446	2007-000143	R-CHIP;4.7Kohm,5%,1/16W,TP,1005	1	SA	
R140	2007-007134	R-CHIP;39Kohm,1%,1/16W,TP,1005	1	SA		R447	2007-000140	R-CHIP;1Kohm,5%,1/16W,TP,1005	1	SA	
R141	2007-000162	R-CHIP;100Kohm,5%,1/16W,TP,1005	1	SA		R448	2007-000173	R-CHIP;22ohm,5%,1/16W,TP,1005	1	SA	
R146	2007-000982	R-CHIP;5.6Kohm,5%,1/16W,TP,1005	1	SA		R449	2007-000173	R-CHIP;22ohm,5%,1/16W,TP,1005	1	SA	
R147	2007-000982	R-CHIP;5.6Kohm,5%,1/16W,TP,1005	1	SA		R450	2007-000173	R-CHIP;22ohm,5%,1/16W,TP,1005	1	SA	
R148	2007-000982	R-CHIP;5.6Kohm,5%,1/16W,TP,1005	1	SA		R451	2007-000173	R-CHIP;22ohm,5%,1/16W,TP,1005	1	SA	
R149	2007-008417	R-CHIP;34Kohm,1%,1/16W,TP,1005	1	SA		R452	2007-000143	R-CHIP;4.7Kohm,5%,1/16W,TP,1005	1	SA	
R150	2007-007309	R-CHIP;12Kohm,1%,1/16W,TP,1005	1	SA		R453	2007-000143	R-CHIP;4.7Kohm,5%,1/16W,TP,1005	1	SA	

Loc.No	Loc.No	Description : Specification	Q'ty	S.N.A	Remark	Loc.No	Loc.No	Description : Specification	Q'ty	S.N.A	Remark
R454	2007-000143	R-CHIP;4.7Kohm,5%,1/16W,TP,1005	1	SA		R731	2007-000162	R-CHIP;100Kohm,5%,1/16W,TP,1005	1	SA	
R455	2007-000143	R-CHIP;4.7Kohm,5%,1/16W,TP,1005	1	SA		R732	2007-000148	R-CHIP;10Kohm,5%,1/16W,TP,1005	1	SA	
R456	2007-000171	R-CHIP;0ohm,5%,1/16W,TP,1005	1	SA		R733	2007-000162	R-CHIP;100Kohm,5%,1/16W,TP,1005	1	SA	
R457	2007-000141	R-CHIP;2.2Kohm,5%,1/16W,TP,1005	1	SA		R734	2007-000162	R-CHIP;100Kohm,5%,1/16W,TP,1005	1	SA	
R458	2007-000141	R-CHIP;2.2Kohm,5%,1/16W,TP,1005	1	SA		R735	2007-000162	R-CHIP;100Kohm,5%,1/16W,TP,1005	1	SA	
R501	2007-000148	R-CHIP;10Kohm,5%,1/16W,TP,1005	1	SA		R736	2007-000140	R-CHIP;1Kohm,5%,1/16W,TP,1005	1	SA	
R502	2007-000148	R-CHIP;10Kohm,5%,1/16W,TP,1005	1	SA		R737	2007-000140	R-CHIP;1Kohm,5%,1/16W,TP,1005	1	SA	
R540	2007-000148	R-CHIP;10Kohm,5%,1/16W,TP,1005	1	SA		R738	2007-000162	R-CHIP;100Kohm,5%,1/16W,TP,1005	1	SA	
R541	2007-000148	R-CHIP;10Kohm,5%,1/16W,TP,1005	1	SA		R739	2007-000140	R-CHIP;1Kohm,5%,1/16W,TP,1005	1	SA	
R602	2007-000171	R-CHIP;0ohm,5%,1/16W,TP,1005	1	SA		R740	2007-000162	R-CHIP;100Kohm,5%,1/16W,TP,1005	1	SA	
R603	2007-001325	R-CHIP;3.3Kohm,5%,1/16W,TP,1005	1	SA		R741	2007-000140	R-CHIP;1Kohm,5%,1/16W,TP,1005	1	SA	
R604	2007-000138	R-CHIP;100ohm,5%,1/16W,TP,1005	1	SA		R743	2007-000162	R-CHIP;100Kohm,5%,1/16W,TP,1005	1	SA	
R605	2007-000138	R-CHIP;100ohm,5%,1/16W,TP,1005	1	SA		R750	2007-000140	R-CHIP;1Kohm,5%,1/16W,TP,1005	1	SA	
R606	2007-000138	R-CHIP;100ohm,5%,1/16W,TP,1005	1	SA		R7507	2007-000171	R-CHIP;0ohm,5%,1/16W,TP,1005	1	SA	
R607	2007-000138	R-CHIP;100ohm,5%,1/16W,TP,1005	1	SA		R7510	2007-000171	R-CHIP;0ohm,5%,1/16W,TP,1005	1	SA	
R608	2007-000138	R-CHIP;100ohm,5%,1/16W,TP,1005	1	SA		R7519	2007-000140	R-CHIP;1Kohm,5%,1/16W,TP,1005	1	SA	
R609	2007-000138	R-CHIP;100ohm,5%,1/16W,TP,1005	1	SA		R7530	2007-000171	R-CHIP;0ohm,5%,1/16W,TP,1005	1	SA	
R610	2007-000138	R-CHIP;100ohm,5%,1/16W,TP,1005	1	SA		R7534	2007-000140	R-CHIP;1Kohm,5%,1/16W,TP,1005	1	SA	
R611	2007-000138	R-CHIP;100ohm,5%,1/16W,TP,1005	1	SA		R754	2007-000162	R-CHIP;100Kohm,5%,1/16W,TP,1005	1	SA	
R612	2007-000138	R-CHIP;100ohm,5%,1/16W,TP,1005	1	SA		R755	2007-000140	R-CHIP;1Kohm,5%,1/16W,TP,1005	1	SA	
R613	2007-000138	R-CHIP;100ohm,5%,1/16W,TP,1005	1	SA		R756	2007-000140	R-CHIP;1Kohm,5%,1/16W,TP,1005	1	SA	
R614	2007-000138	R-CHIP;100ohm,5%,1/16W,TP,1005	1	SA		R757	2007-000140	R-CHIP;1Kohm,5%,1/16W,TP,1005	1	SA	
R618	2007-000148	R-CHIP;10Kohm,5%,1/16W,TP,1005	1	SA		R7594	2007-000171	R-CHIP;0ohm,5%,1/16W,TP,1005	1	SA	
R627	2007-000171	R-CHIP;0ohm,5%,1/16W,TP,1005	1	SA		R7603	2007-000171	R-CHIP;0ohm,5%,1/16W,TP,1005	1	SA	
R628	2007-001119	R-CHIP;680ohm,5%,1/16W,TP,1005	1	SA		R7657	2007-000140	R-CHIP;1Kohm,5%,1/16W,TP,1005	1	SA	
R629	2007-000148	R-CHIP;10Kohm,5%,1/16W,TP,1005	1	SA		R7668	2007-000140	R-CHIP;1Kohm,5%,1/16W,TP,1005	1	SA	
R630	2007-000148	R-CHIP;10Kohm,5%,1/16W,TP,1005	1	SA		R7696	2007-000140	R-CHIP;1Kohm,5%,1/16W,TP,1005	1	SA	
R632	2007-000171	R-CHIP;0ohm,5%,1/16W,TP,1005	1	SA		R7697	2007-000162	R-CHIP;100Kohm,5%,1/16W,TP,1005	1	SA	
R633	2007-000171	R-CHIP;0ohm,5%,1/16W,TP,1005	1	SA		R7700	2007-000162	R-CHIP;100Kohm,5%,1/16W,TP,1005	1	SA	
R634	2007-000139	R-CHIP;220ohm,5%,1/16W,TP,1005	1	SA		R7701	2007-000162	R-CHIP;100Kohm,5%,1/16W,TP,1005	1	SA	
R635	2007-000139	R-CHIP;220ohm,5%,1/16W,TP,1005	1	SA		R7704	2007-000171	R-CHIP;0ohm,5%,1/16W,TP,1005	1	SA	
R636	2007-000139	R-CHIP;220ohm,5%,1/16W,TP,1005	1	SA		R7707	2007-000162	R-CHIP;100Kohm,5%,1/16W,TP,1005	1	SA	
R701	2007-000162	R-CHIP;100Kohm,5%,1/16W,TP,1005	1	SA		R7708	2007-000659	R-CHIP;27ohm,5%,1/10W,TP,1608	1	SA	
R702	2007-000140	R-CHIP;1Kohm,5%,1/16W,TP,1005	1	SA		R7709	2007-000659	R-CHIP;27ohm,5%,1/10W,TP,1608	1	SA	
R703	2007-000140	R-CHIP;1Kohm,5%,1/16W,TP,1005	1	SA		R7710	2007-000171	R-CHIP;0ohm,5%,1/16W,TP,1005	1	SA	
R704	2007-000140	R-CHIP;1Kohm,5%,1/16W,TP,1005	1	SA		R7713	2007-000172	R-CHIP;10ohm,5%,1/16W,TP,1005	1	SA	
R705	2007-000140	R-CHIP;1Kohm,5%,1/16W,TP,1005	1	SA		R7715	2007-000162	R-CHIP;100Kohm,5%,1/16W,TP,1005	1	SA	
R706	2007-000140	R-CHIP;1Kohm,5%,1/16W,TP,1005	1	SA		R7716	2007-000171	R-CHIP;0ohm,5%,1/16W,TP,1005	1	SA	
R707	2007-000162	R-CHIP;100Kohm,5%,1/16W,TP,1005	1	SA		R7717	2007-000174	R-CHIP;47ohm,5%,1/16W,TP,1005	1	SA	
R7104	2007-000162	R-CHIP;100Kohm,5%,1/16W,TP,1005	1	SA		R780	2007-000162	R-CHIP;100Kohm,5%,1/16W,TP,1005	1	SA	
R7105	2007-000140	R-CHIP;1Kohm,5%,1/16W,TP,1005	1	SA		R781	2007-001325	R-CHIP;3.3Kohm,5%,1/16W,TP,1005	1	SA	
R711	2007-000162	R-CHIP;100Kohm,5%,1/16W,TP,1005	1	SA		R784	2007-000140	R-CHIP;1Kohm,5%,1/16W,TP,1005	1	SA	
R712	2007-000140	R-CHIP;1Kohm,5%,1/16W,TP,1005	1	SA		R785	2007-000162	R-CHIP;100Kohm,5%,1/16W,TP,1005	1	SA	
R7139	2007-000171	R-CHIP;0ohm,5%,1/16W,TP,1005	1	SA		R786	2007-000140	R-CHIP;1Kohm,5%,1/16W,TP,1005	1	SA	
R7140	2007-000140	R-CHIP;1Kohm,5%,1/16W,TP,1005	1	SA		R787	2007-000162	R-CHIP;100Kohm,5%,1/16W,TP,1005	1	SA	
R7151	2007-000171	R-CHIP;0ohm,5%,1/16W,TP,1005	1	SA		R789	2007-000171	R-CHIP;0ohm,5%,1/16W,TP,1005	1	SA	
R7157	2007-000160	R-CHIP;68Kohm,5%,1/16W,TP,1005	1	SA		R791	2007-000162	R-CHIP;100Kohm,5%,1/16W,TP,1005	1	SA	
R717	2007-000162	R-CHIP;100Kohm,5%,1/16W,TP,1005	1	SA		RA01	2007-000083	R-CHIP;3Kohm,5%,1/10W,TP,1608	1	SA	
R718	2007-000140	R-CHIP;1Kohm,5%,1/16W,TP,1005	1	SA		RA02	2007-000140	R-CHIP;1Kohm,5%,1/16W,TP,1005	1	SA	
R7180	2007-007313	R-CHIP;6.8Kohm,1%,1/16W,TP,1005	1	SA		RA03	2007-000171	R-CHIP;0ohm,5%,1/16W,TP,1005	1	SA	
R7181	2007-007001	R-CHIP;3.9Kohm,5%,1/16W,TP,1005	1	SA		RA04	2007-000171	R-CHIP;0ohm,5%,1/16W,TP,1005	1	SA	
R7182	2007-001319	R-CHIP;1.2Kohm,5%,1/16W,TP,1005	1	SA		RC02	2007-007318	R-CHIP;1Kohm,1%,1/16W,TP,1005	1	SA	
R7183	2007-000148	R-CHIP;10Kohm,5%,1/16W,TP,1005	1	SA		RC03	2007-007132	R-CHIP;15Kohm,1%,1/16W,TP,1005	1	SA	
R7184	2007-000162	R-CHIP;100Kohm,5%,1/16W,TP,1005	1	SA		RC04	2007-000148	R-CHIP;10Kohm,5%,1/16W,TP,1005	1	SA	
R7185	2007-000162	R-CHIP;100Kohm,5%,1/16W,TP,1005	1	SA		RC05	2007-007840	R-CHIP;825ohm,1%,1/10W,TP,1608	1	SA	
R7187	2007-000171	R-CHIP;0ohm,5%,1/16W,TP,1005	1	SA		RC06	2007-007840	R-CHIP;825ohm,1%,1/10W,TP,1608	1	SA	
R719	2007-000162	R-CHIP;100Kohm,5%,1/16W,TP,1005	1	SA		RC07	2007-007946	R-CHIP;470Kohm,1%,1/16W,TP,1005	1	SA	
R7200	2007-000140	R-CHIP;1Kohm,5%,1/16W,TP,1005	1	SA		RC08	2007-008354	R-CHIP;220Kohm,1%,1/16W,TP,1005	1	SA	
R721	2007-000140	R-CHIP;1Kohm,5%,1/16W,TP,1005	1	SA		RD01	2007-000139	R-CHIP;220ohm,5%,1/16W,TP,1005	1	SA	

Exploded Views and Parts List

Loc.No	Loc.No	Description : Specification	Q'ty	S.N.A	Remark	Loc.No	Loc.No	Description : Specification	Q'ty	S.N.A	Remark
RD02	2007-000172	R-CHIP;10ohm,5%,1/16W,TP,1005	1	SA		RP05	2007-000140	R-CHIP;1Kohm,5%,1/16W,TP,1005	1	SA	
RD03	2007-000172	R-CHIP;10ohm,5%,1/16W,TP,1005	1	SA		RX04	2007-000171	R-CHIP;0ohm,5%,1/16W,TP,1005	1	SA	
RD04	2007-000172	R-CHIP;10ohm,5%,1/16W,TP,1005	1	SA		RZ01	2007-000143	R-CHIP;4.7Kohm,5%,1/16W,TP,1005	1	SA	
RD05	2007-000172	R-CHIP;10ohm,5%,1/16W,TP,1005	1	SA		RZ02	2007-000162	R-CHIP;100Kohm,5%,1/16W,TP,1005	1	SA	
RD06	2007-000172	R-CHIP;10ohm,5%,1/16W,TP,1005	1	SA		RZ03	2007-000148	R-CHIP;10Kohm,5%,1/16W,TP,1005	1	SA	
RD07	2007-000162	R-CHIP;100Kohm,5%,1/16W,TP,1005	1	SA		RZ04	2007-007001	R-CHIP;3.9Kohm,5%,1/16W,TP,1005	1	SA	
RD08	2007-000162	R-CHIP;100Kohm,5%,1/16W,TP,1005	1	SA		RZ05	2007-000153	R-CHIP;22Kohm,5%,1/16W,TP,1005	1	SA	
RD12	2007-000140	R-CHIP;1Kohm,5%,1/16W,TP,1005	1	SA		RZ06	2007-007138	R-CHIP;27Kohm,1%,1/16W,TP,1005	1	SA	
RD13	2007-000138	R-CHIP;100ohm,5%,1/16W,TP,1005	1	SA		RZ07	2007-000156	R-CHIP;30Kohm,5%,1/16W,TP,1005	1	SA	
RD14	2007-000162	R-CHIP;100Kohm,5%,1/16W,TP,1005	1	SA		RZ08	2007-000162	R-CHIP;100Kohm,5%,1/16W,TP,1005	1	SA	
RD16	2007-000138	R-CHIP;100ohm,5%,1/16W,TP,1005	1	SA		RZ09	2007-000775	R-CHIP;33Kohm,5%,1/16W,TP,1005	1	SA	
RD17	2007-000171	R-CHIP;0ohm,5%,1/16W,TP,1005	1	SA		RZ10	2007-000636	R-CHIP;270Kohm,5%,1/16W,TP,1005	1	SA	
RD19	2007-000171	R-CHIP;0ohm,5%,1/16W,TP,1005	1	SA		RZ11	2007-000162	R-CHIP;100Kohm,5%,1/16W,TP,1005	1	SA	
RD20	2007-000171	R-CHIP;0ohm,5%,1/16W,TP,1005	1	SA		RZ12	2007-000157	R-CHIP;47Kohm,5%,1/16W,TP,1005	1	SA	
RD22	2007-000162	R-CHIP;100Kohm,5%,1/16W,TP,1005	1	SA		RZ13	2007-000142	R-CHIP;2.7Kohm,5%,1/16W,TP,1005	1	SA	
RD23	2007-000162	R-CHIP;100Kohm,5%,1/16W,TP,1005	1	SA		RZ14	2007-000164	R-CHIP;150Kohm,5%,1/16W,TP,1005	1	SA	
RD24	2007-000162	R-CHIP;100Kohm,5%,1/16W,TP,1005	1	SA		RZ15	2007-000143	R-CHIP;4.7Kohm,5%,1/16W,TP,1005	1	SA	
RD25	2007-000148	R-CHIP;10Kohm,5%,1/16W,TP,1005	1	SA		RZ16	2007-000162	R-CHIP;100Kohm,5%,1/16W,TP,1005	1	SA	
RD26	2007-000148	R-CHIP;10Kohm,5%,1/16W,TP,1005	1	SA		RZ17	2007-001325	R-CHIP;3.3Kohm,5%,1/16W,TP,1005	1	SA	
RD27	2007-000148	R-CHIP;10Kohm,5%,1/16W,TP,1005	1	SA		RZ18	2007-000153	R-CHIP;22Kohm,5%,1/16W,TP,1005	1	SA	
RD28	2007-000162	R-CHIP;100Kohm,5%,1/16W,TP,1005	1	SA		RZ19	2007-000143	R-CHIP;4.7Kohm,5%,1/16W,TP,1005	1	SA	
RD29	2007-000148	R-CHIP;10Kohm,5%,1/16W,TP,1005	1	SA		RZ20	2007-001313	R-CHIP;330ohm,5%,1/16W,TP,1005	1	SA	
RD30	2007-007313	R-CHIP;6.8Kohm,1%,1/16W,TP,1005	1	SA		RZ21	2007-000148	R-CHIP;10Kohm,5%,1/16W,TP,1005	1	SA	
RD31	2007-007313	R-CHIP;6.8Kohm,1%,1/16W,TP,1005	1	SA		RZ22	2007-000162	R-CHIP;100Kohm,5%,1/16W,TP,1005	1	SA	
RD33	2007-000171	R-CHIP;0ohm,5%,1/16W,TP,1005	1	SA		RZ23	2007-001307	R-CHIP;180ohm,5%,1/16W,TP,1005	1	SA	
RD34	2007-000162	R-CHIP;100Kohm,5%,1/16W,TP,1005	1	SA		RZ24	2007-001307	R-CHIP;180ohm,5%,1/16W,TP,1005	1	SA	
RD36	2007-000162	R-CHIP;100Kohm,5%,1/16W,TP,1005	1	SA		RZ25	2007-000159	R-CHIP;56Kohm,5%,1/16W,TP,1005	1	SA	
RD38	2007-000148	R-CHIP;10Kohm,5%,1/16W,TP,1005	1	SA		RZ26	2007-000159	R-CHIP;56Kohm,5%,1/16W,TP,1005	1	SA	
RD39	2007-000148	R-CHIP;10Kohm,5%,1/16W,TP,1005	1	SA		RZ28	2007-007312	R-CHIP;20Kohm,1%,1/16W,TP,1005	1	SA	
RD40	2007-000162	R-CHIP;100Kohm,5%,1/16W,TP,1005	1	SA		X701	2801-004479	CRYSTAL-SMD;16MHz,10ppm,SX-6,18pF,60ohm,	1	SA	
RD41	2007-000148	R-CHIP;10Kohm,5%,1/16W,TP,1005	1	SA		X702	2801-003856	CRYSTAL-SMD;0.032768MHz,20ppm,28-ACP,7pF	1	SA	
RD42	2007-000148	R-CHIP;10Kohm,5%,1/16W,TP,1005	1	SA		XD01	2804-001309	OSCILLATOR-CLOCK;54MHz,20PPM,10TTL & CMO	1	SA	
RD43	2007-000148	R-CHIP;10Kohm,5%,1/16W,TP,1005	1	SA							
RD44	2007-000148	R-CHIP;10Kohm,5%,1/16W,TP,1005	1	SA							
RD45	2007-000148	R-CHIP;10Kohm,5%,1/16W,TP,1005	1	SA							
RD53	2007-000162	R-CHIP;100Kohm,5%,1/16W,TP,1005	1	SA		P004 AD92-00156A ASSY PCB-LCD BOARD-VP-DK105/KEF.2.7". PA	1	SA			
RD54	2007-000162	R-CHIP;100Kohm,5%,1/16W,TP,1005	1	SA		CL01	2203-005922	C-CER,CHIP;4700nF,20%,6.3V,X5R,TP,2012	1	SA	
RD55	2007-000148	R-CHIP;10Kohm,5%,1/16W,TP,1005	1	SA		CL02	2203-002793	C-CER,CHIP;1000nF,+80-20%,25V,Y5V,2012	1	SA	
RD56	2007-000160	R-CHIP;68Kohm,5%,1/16W,TP,1005	1	SA		CL03	2203-002793	C-CER,CHIP;1000nF,+80-20%,25V,Y5V,2012	1	SA	
RD57	2007-000160	R-CHIP;68Kohm,5%,1/16W,TP,1005	1	SA		CL04	2203-002793	C-CER,CHIP;1000nF,+80-20%,25V,Y5V,2012	1	SA	
RD58	2007-000160	R-CHIP;68Kohm,5%,1/16W,TP,1005	1	SA		CL05	2203-002793	C-CER,CHIP;1000nF,+80-20%,25V,Y5V,2012	1	SA	
RD59	2007-000160	R-CHIP;68Kohm,5%,1/16W,TP,1005	1	SA		CL06	2203-002793	C-CER,CHIP;1000nF,+80-20%,25V,Y5V,2012	1	SA	
RD61	2007-000138	R-CHIP;100ohm,5%,1/16W,TP,1005	1	SA		CL07	2203-002793	C-CER,CHIP;1000nF,+80-20%,25V,Y5V,2012	1	SA	
RD63	2007-000171	R-CHIP;0ohm,5%,1/16W,TP,1005	1	SA		CL08	2203-002793	C-CER,CHIP;1000nF,+80-20%,25V,Y5V,2012	1	SA	
RD66	2007-000138	R-CHIP;100ohm,5%,1/16W,TP,1005	1	SA		CL09	2203-002793	C-CER,CHIP;1000nF,+80-20%,25V,Y5V,2012	1	SA	
RD67	2007-000138	R-CHIP;100ohm,5%,1/16W,TP,1005	1	SA		CL10	2203-002793	C-CER,CHIP;1000nF,+80-20%,25V,Y5V,2012	1	SA	
RD68	2007-000162	R-CHIP;100Kohm,5%,1/16W,TP,1005	1	SA		CL11	2203-002793	C-CER,CHIP;1000nF,+80-20%,25V,Y5V,2012	1	SA	
RD69	2007-000172	R-CHIP;10ohm,5%,1/16W,TP,1005	1	SA		CL12	2203-005065	C-CER,CHIP;1000nF,+80-20%,10V,Y5V,1608	1	SA	
RD70	2007-000171	R-CHIP;0ohm,5%,1/16W,TP,1005	1	SA		CL14	2203-000332	C-CER,CHIP;0.012nF,5%,50V,COG,1608	1	SA	
RM01	2007-000148	R-CHIP;10Kohm,5%,1/16W,TP,1005	1	SA		CL15	2203-000257	C-CER,CHIP;10nF,10%,50V,X7R,TP,1608	1	SA	
RM03	2007-000157	R-CHIP;47Kohm,5%,1/16W,TP,1005	1	SA		CL16	2203-005774	C-CER,CHIP;1000nF,+80-20%,50V,Y5V,2012	1	SA	
RM04	2007-000157	R-CHIP;47Kohm,5%,1/16W,TP,1005	1	SA		CL17	2203-000257	C-CER,CHIP;10nF,10%,50V,X7R,TP,1608	1	SA	
RM05	2007-000171	R-CHIP;0ohm,5%,1/16W,TP,1005	1	SA		CNL01	3708-001405	CONNECTOR-FPC/FFC/PIC;24P,0.5MM,SMD-A,SN	1	SA	
RM06	2007-000171	R-CHIP;0ohm,5%,1/16W,TP,1005	1	SA		CNL02	3708-002188	CONNECTOR-FPC/FFC/PIC;40P,0.5mm,SMD-A,Au	1	SA	
RM07	2007-000171	R-CHIP;0ohm,5%,1/16W,TP,1005	1	SA		CNL03	3708-001148	CONNECTOR-FPC/FFC/PIC;6P,0.5MM,SMD-A,SN,	1	SA	
RM08	2007-000140	R-CHIP;1Kohm,5%,1/16W,TP,1005	1	SA		RL01	2007-001219	R-CHIP;82ohm,5%,1/4W,TP,3216	1	SA	
RP01	2007-000170	R-CHIP;1Mohm,5%,1/16W,TP,1005	1	SA		RL02	2007-001206	R-CHIP;82Kohm,1%,1/10W,TP,1608	1	SA	
RP02	2007-000162	R-CHIP;100Kohm,5%,1/16W,TP,1005	1	SA		RL03	2007-000651	R-CHIP;27Kohm,1%,1/10W,TP,1608	1	SA	
RP03	2007-000162	R-CHIP;100Kohm,5%,1/16W,TP,1005	1	SA		RL04	2007-000828	R-CHIP;39Kohm,1%,1/10W,TP,1608	1	SA	
RP04	2007-000137	R-CHIP;2Kohm,5%,1/16W,TP,1005	1	SA							

Loc.No	Loc.No	Description : Specification	Q'ty	S.N.A	Remark	Loc.No	Loc.No	Description : Specification	Q'ty	S.N.A	Remark
RL05	2007-001206	R-CHIP;82Kohm,1%,1/10W,TP,1608	1	SA		CC05	2203-000560	C-CER,CHIP;220nF,+80-20%,25V,Y5V,1608	1	SA	
RL06	2007-000633	R-CHIP;270Kohm,1%,1/10W,TP,1608	1	SA		CC06	2203-000560	C-CER,CHIP;220nF,+80-20%,25V,Y5V,1608	1	SA	
RL07	2007-001325	R-CHIP;3.3Kohm,5%,1/16W,TP,1005	1	SA		CC07	2203-000560	C-CER,CHIP;220nF,+80-20%,25V,Y5V,1608	1	SA	
RL08	2007-000140	R-CHIP;1Kohm,5%,1/16W,TP,1005	1	SA		CC08	2203-000560	C-CER,CHIP;220nF,+80-20%,25V,Y5V,1608	1	SA	
RL09	2007-000242	R-CHIP;1.5Kohm,5%,1/16W,TP,1005	1	SA		CC09	2404-000167	C-TA,CHIP;2.2uF,20%,16V,-,TP,3216	1	SA	
RL10	2007-000138	R-CHIP;100ohm,5%,1/16W,TP,1005	1	SA		CC10	2203-000189	C-CER,CHIP;100nF,+80-20%,25V,Y5V,1608	1	SA	
SWL01	3404-001216	SWITCH-TACT;12V DC,20mA,160gf,4.5x4.5x0.	1	SA		CC11	2404-000232	C-TA,CHIP;4.7uF,20%,10V,-,TP,3216	1	SA	
SWL02	3404-001216	SWITCH-TACT;12V DC,20mA,160gf,4.5x4.5x0.	1	SA		CC12	2203-000189	C-CER,CHIP;100nF,+80-20%,25V,Y5V,1608	1	SA	
SWL03	3404-001268	SWITCH-TACT;12V,50MA,130GF,7.5X7.5X5.5	1	SA		CNC01	3708-001914	CONNECTOR-FPC/FPC/PIC;15P,0.5mm,SMD-S,AU	1	SA	
						RC01	2007-000075	R-CHIP;220ohm,5%,1/10W,TP,1608	1	SA	
						RC02	2007-000078	R-CHIP;1Kohm,5%,1/10W,TP,1608	1	SA	
P009	AD92-00152A	ASSY PCB-REAR BOARD;VP-DX105/KEF,RAINBOW	1	SA							
CNR01	3711-006445	HEADER-BOARD TO BOARD;BOX,20P,2R,0.5mm,S	1	SA							
CR01	2203-000189	C-CER,CHIP;100nF,+80-20%,25V,Y5V,1608	1	SA							
DR01	0601-002037	LED:SMD,BLUE,1.6x0.8x0.4mm,465/470	1	SA		1	AD43-10130H	BATTERY-LITHUM;LI-ION,CR,2025,LITHIUM,150	1	SA	
DR02	0601-002037	LED:SMD,BLUE,1.6x0.8x0.4mm,465/470	1	SA		C035	AD63-01203A	COVER-LEFT;DX100,PC/ABS,T14.7,W77.6,L111	1	SA	
DR03	0601-002407	LED:SMD(TOP VIEW);orang/green,1.5	1	SA		C063	AD63-01204A	COVER-LI BATTERY;DX100,PC,T5.1,W21.9,L29	1	SA	
ICR01	1209-001585	IC-SENSOR;MRUSS1S(U),SOT-223,3P,1.45x1.2	1	SA		C894	AD62-00056A	HEAT SINK-A;DX100,Cu,TO.5,W44,L62.5,-,-	1	SA	
JR01	AD97-08499A	ASSY-DC JACK;TC18-430-01,W8-PJ,STRAIGHT	1	SA		FL364	3809-002101	FFC CABLE-FLAT;30V,80,55mm,18P,0.5mm,AWM	1	SA	
RR01	2007-001206	R-CHIP;82Kohm,1%,1/10W,TP,1608	1	SA		L0533	AD07-00063A	LCD-PANEL;A027CW01,DRAGON3-PJ,112320,63.	1	SA	
SWR01	3409-001164	SWITCH-DETECTOR;DC 5V,1mA,-,50gf,PUSH ON	1	SA		W113	6002-001085	SCREW-TAPPING;CH,+2,M1.7,L5,ZPC(BLK),SW	2	SA	
SWR02	3404-001327	SWITCH-TACT;12V DC,20mA,250gf,4.5x4.5x0.	1	SA		W116	6001-001527	SCREW-MACHINE;CH(0.3),+,M1.7,L2.0,NI PLT	1	SA	
SWR03	3404-001287	SWITCH-TACT;12V,50mA,160gf,4.5x3.55x3.3,	1	SA		W118	6003-001291	SCREW-TAPTITE;CH,+B,M1.4,L3.0,ZPC(BLK),	1	SA	
						W118	6003-001291	SCREW-TAPTITE;CH,+B,M1.4,L3.0,ZPC(BLK),	3	SA	
						W127	6003-001292	SCREW-TAPTITE;CH(0.3),+B,M1.7,L3,ZPC(BL	6	SA	
						W127	6003-001292	SCREW-TAPTITE;CH(0.3),+B,M1.7,L3,ZPC(BL	1	SA	
						W127	6003-001292	SCREW-TAPTITE;CH(0.3),+B,M1.7,L3,ZPC(BL	2	SA	
						W127	6003-001292	SCREW-TAPTITE;CH(0.3),+B,M1.7,L3,ZPC(BL	6	SA	
						W127	6003-001292	SCREW-TAPTITE;CH(0.3),+B,M1.7,L3,ZPC(BL	3	SA	
						W127	6003-001292	SCREW-TAPTITE;CH(0.3),+B,M1.7,L3,ZPC(BL	3	SA	
						W206	6001-001373	SCREW-MACHINE;PH,TO.5,-,M1.7,L3.0,ZPC(1	SA	
						W206	6001-001373	SCREW-MACHINE;PH,TO.5,-,M1.7,L3.0,ZPC(9	SA	
						W206	6001-001373	SCREW-MACHINE;PH,TO.5,-,M1.7,L3.0,ZPC(1	SA	
						W276	6001-001298	SCREW-MACHINE;CH(0.5),+,M1.7,L5.0,NI PLT	5	SA	
						W281	6001-001508	SCREW-MACHINE;CH(0.5),+,M1.7,L5,ZPC(BL	4	SA	
						W298	6003-001508	SCREW-TAPTITE;PH,+B,M1.4,L3,NI PLT,SWRC	1	SA	
						W371	6003-001453	SCREW-TAPTITE;BH,+B,M1.7,L4,ZPC(BLK)	4	SA	
						W371	6003-001453	SCREW-TAPTITE;BH,+B,M1.7,L4,ZPC(BLK)	4	SA	
						W371	6003-001453	SCREW-TAPTITE;BH,+B,M1.7,L4,ZPC(BLK)	2	SA	
						W371	6003-001453	SCREW-TAPTITE;BH,+B,M1.7,L4,ZPC(BLK)	3	SA	
						W371	6003-001453	SCREW-TAPTITE;BH,+B,M1.7,L4,ZPC(BLK)	3	SA	
						W371	6003-001453	SCREW-TAPTITE;BH,+B,M1.7,L4,ZPC(BLK)	9	SA	
						W371	6003-001453	SCREW-TAPTITE;BH,+B,M1.7,L4,ZPC(BLK)	1	SA	
						W371	6003-001453	SCREW-TAPTITE;BH,+B,M1.7,L4,ZPC(BLK)	3	SA	
						W371	6003-001453	SCREW-TAPTITE;BH,+B,M1.7,L4,ZPC(BLK)	4	SA	
						W372	6003-001148	SCREW-TAPTITE;PH,+B,M1.7,L6,ZPC(BLK),SW	3	SA	
						W377	6001-001291	SCREW-MACHINE;CH(0.5),*,M1.7,L4,ZPC(BL	3	SA	
						W377	6001-001291	SCREW-MACHINE;CH(0.5),*,M1.7,L4,ZPC(BL	2	SA	
						W377	6001-001291	SCREW-MACHINE;CH(0.5),*,M1.7,L4,ZPC(BL	2	SA	
						AD68-02550H	MANUAL USERS;VP-DX100,KEF,SP/G	1	SA	VP-DX100/KEF	
						AD68-02550Y	MANUAL USERS;VP-DX100,EDC,EN/G	1	SA	VP-DX100/EDC	
						AD68-02550Z	MANUAL USERS;VP-DX100,EDC,IT/D	1	SA	VP-DX100/EDC	
						3404-001171	SWITCH-TACT;12V DC,50MA,200GF,6.6X6X5MM,	1	SA		
						3409-001191	SWITCH-DETECTOR;5V,1mA,-,0.35gf,ON-OFF	3	SA		
						3708-001148	CONNECTOR-FPC/FPC/PIC;6P,0.5MM,SMD-A,SN,	1	SA		
						3409-001110	SWITCH-DETECTOR;30V DC,0.1A,1.30gf,PUSH	1	SA		
						3403-001142	SWITCH-PUSH;5V,1MA,2,-	1	SA		
						2007-001206	R-CHIP;82Kohm,1%,1/10W,TP,1608	1	SA		
						3404-001327	SWITCH-TACT;12V DC,20mA,250gf,4.5x4.5x0.	2	SA		
L052	AD97-10942A	ASSY PCB-CVF BOARD;NT/PAL,RAINBOW2-PJ,0.	1	SNA							
CC01	2404-000167	C-TA,CHIP;2.2uF,20%,16V,-,TP,3216	1	SA							
CC02	2203-000189	C-CER,CHIP;100nF,+80-20%,25V,Y5V,1608	1	SA							
CC03	2203-000560	C-CER,CHIP;220nF,+80-20%,25V,Y5V,1608	1	SA							
CC04	2203-000560	C-CER,CHIP;220nF,+80-20%,25V,Y5V,1608	1	SA							

Exploded Views and Parts List

Loc.No	Loc.No	Description ; Specification	Q'ty	S.N.A	Remark
	AD69-01643D	PACKING CASE;VP-DX100/EXP,CB,OFF SET,T1,	1	SA	
	AD39-00001A	CABLE-RCA;-;3P;-;500V,P.E.BLK;-;-;	1	SA	
	AD43-00186A	BATTERY-PACK;1A-BP80W/EXP,CP403450AH,LJ	1	SA	
	AD44-00112A	ADAPTOR-AC POWER;AA-E9/EUR,EUROPE,CP2,AC	1	SA	

Loc.No	Loc.No	Description ; Specification	Q'ty	S.N.A	Remark
--------	--------	-----------------------------	------	-------	--------