

---

### 3. Exploded View and Parts List

---

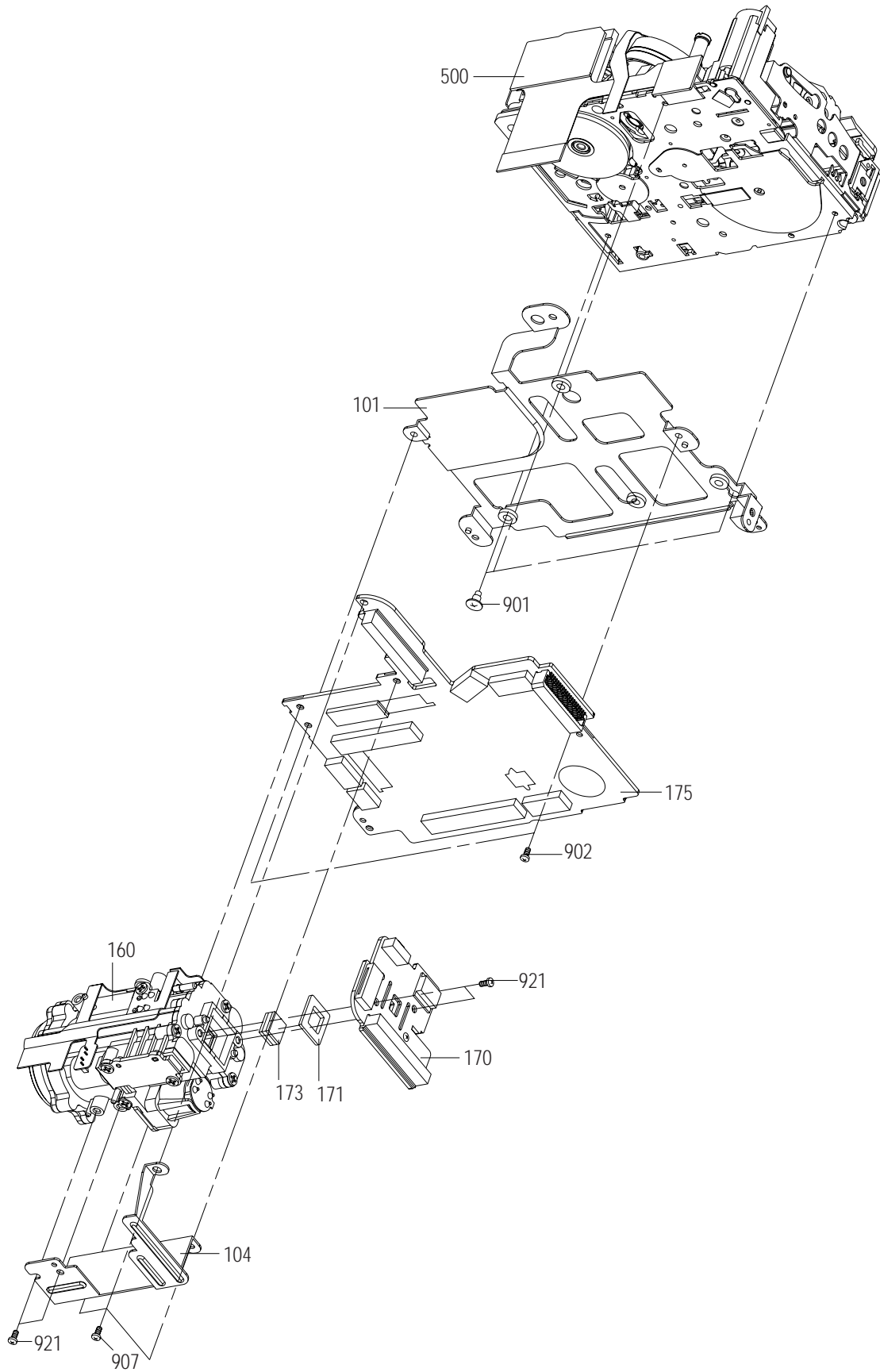
	Page
3-1 Ass'y Chassis - - - - -	3-2
3-2 Ass'y Left - - - - -	3-4
3-3 Ass'y Case Right - - - - -	3-6
3-4 Ass'y Cover Right - - - - -	3-8
3-5 Ass'y LCD - - - - -	3-10
3-6 Ass'y CVF/Zoom- - - - -	3-12
3-7 Ass'y Front - - - - -	3-13
3-8 Ass'y Rear - - - - -	3-14
3-9 Ass'y Housing - - - - -	3-15
3-10 Mechanical Parts (Main Chassis) - - - - -	3-16
3-11 Mechanical Parts (Sub Chassis) - - - - -	3-18

**Notice**

You can search for the updated part code through ITSELF web site.  
URL; <http://itself.sec.samsung.co.kr>

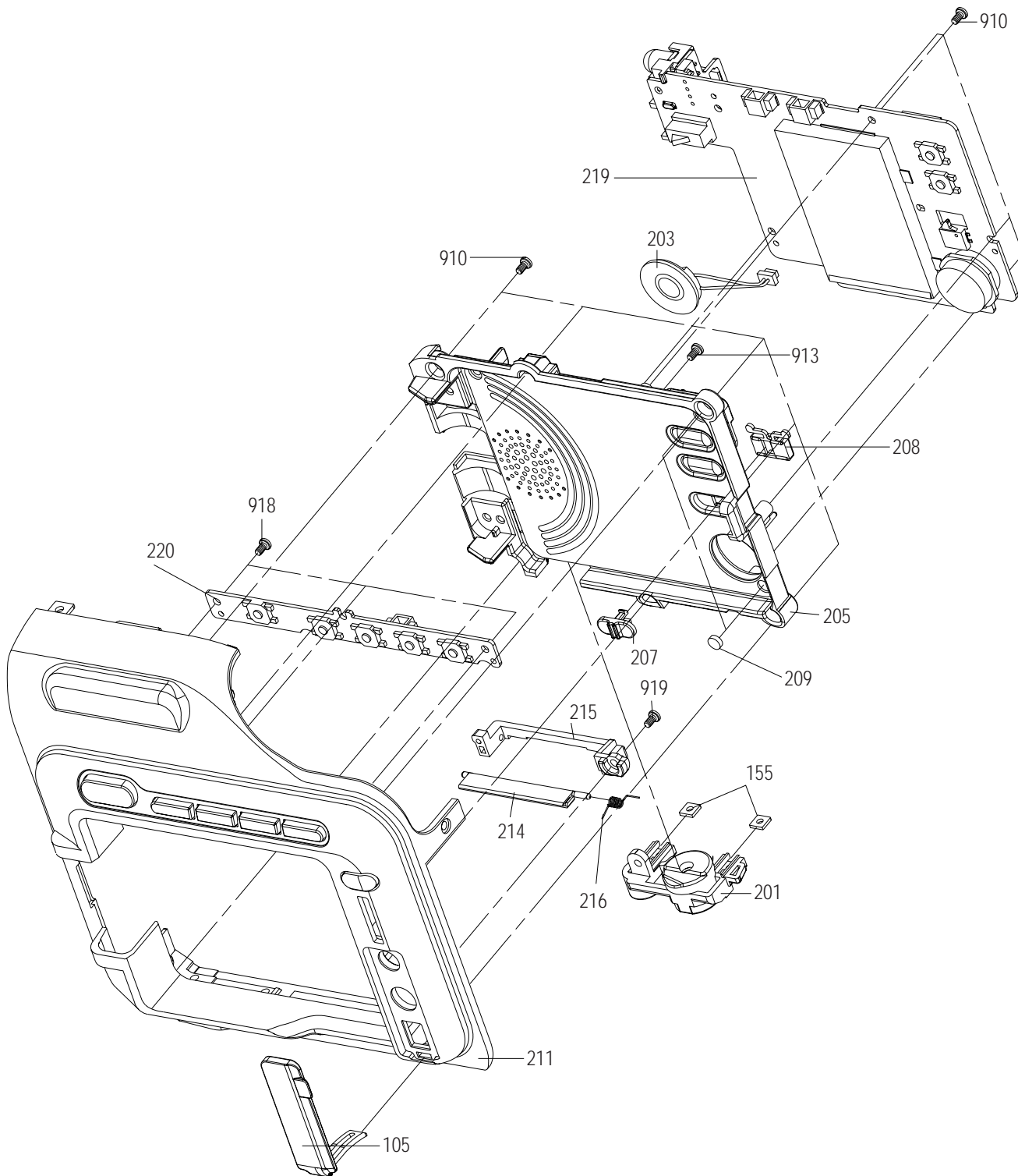
### 3-1 Ass'y Chassis

---



Loc. No	Parts No.	Description ; Specification	Remark
101	AD97-08593A	ASSY-CHASSIS DECK;ASSY,THETA2-PJ,-	
104	AD61-01659A	BRACKET-LENS;THETA2,SUS304 1/2H,T0.5,W40	
160	AD97-08324A	ASSY-LENS-ZOOM;PC,SHML,20X	
170	AD97-08542A	ASSY-CCD BOARD;-;THETA2,CCD BOARD,C	
171	AD60-00053A	SPACER-CCD;ALPHA_PJ,SILICON,-,-,-,BLK,0.	
173	AD29-00019A	FILTER-OPTICAL LPF;-;VP-D73,-,-,3.4X4.5X	
175	AD97-08482D	ASSY-MAIN BOARD;THETA2-PJ,VP-D303/XEU,PA	VP-D303 Only
	AD97-08482E	ASSY-MAIN BOARD;THETA2-PJ,VP-D303I/XEU,P	VP-D303I Only
	AD97-08482F	ASSY-MAIN BOARD;THETA2-PJ,VP-D305/XEU,PA	VP-D305 Only
	AD97-08482G	ASSY-MAIN BOARD;THETA2-PJ,VP-D305I/XEU,P	VP-D305I Only
	AD97-08482H	ASSY-MAIN BOARD;THETA2-PJ,VP-D307/XEU,PA	VP-D307 Only
	AD97-08482J	ASSY-MAIN BOARD;THETA2-PJ,VP-D307I/XEU,P	VP-D307I Only
500	AD97-07910A	ASSY-DECK;-;DD-4,ASSY	
901	6009-001284	SCREW-SPECIAL;SWRCH18A,-;CH,+,M1.4,L4.7(	
902	6001-001526	SCREW-MACHINE;CH(0.3),+,M1.7,L3.0,NI PLT	
907	6001-001385	SCREW-MACHINE;CH,+,M1.7,L2.5,ZPC(BLK),SW	
921	6003-001300	SCREW-TAPTITE;CH,+,B,M1.7,L4,ZPC(BLK),SW	

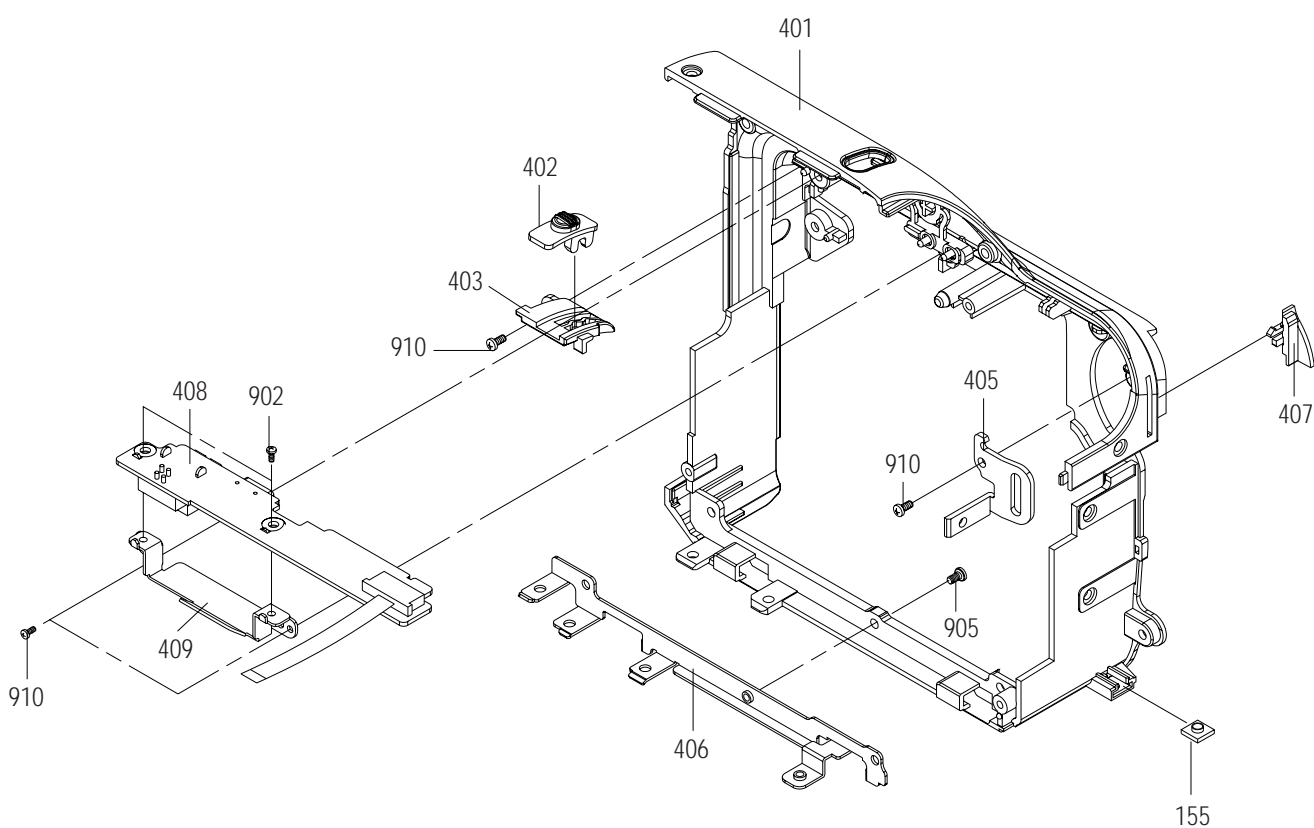
### 3-2 Ass'y Left



Loc. No	Parts No.	Description ; Specification	Remark
105	AD63-00594A	COVER-JACK LEFT;THETA2-PJ,ABS+TPU,T2.0,W	
155	AD61-12033A	BRACKET-NUT;SV-D10,T0.8,-,-,-,T0.8	
201	AD61-01665A	HOLDER-TRIPOD;THETA2-PJ,PC,T12,W12,L30,L	
203	AD97-04289A	ASSY-SPEAKER;-D5-PJ,G-17S08-0823	
205	AD61-01661A	CASE-LEFT;THETA2-PJ,ABS 94HB,T27.6,W75,L	
207	AD64-01186A	KNOB-SELECT;THETA2-PJ,ABS 94HB,T5,W7,L7,	
208	AD61-01666A	HOLDER-SELECT;THETA2-PJ,POM,T5,W3,L8,L/G	
209	AD69-00263B	PAD-HOUSING;D5-PJ,PORON(HH-48)L/GRAY,t0.	
211	AD63-00590A	COVER-LEFT;THETA2-PJ,ABS 94HB,T20,W100,L	VP-D303(I) Only
	AD63-00591A	COVER-LEFT;THETA2-PJ,ABS 94HB,T20,W100,L	VP-D305(I)/D307(I) Only
214	AD63-00555A	COVER-DOOR M/S;DELTA2-PJ,ABS 94HB,T1.4,W	VP-D303(I) Only
	AD63-00555B	COVER-DOOR-MULTI;DELTA2-PJ,ABS94HB,T1.0,	VP-D305(I)/D307(I) Only
215	AD61-01667A	HOLDER-DOOR MS;THETA2-PJ,ABS 94HB,T5,W5,	VP-D303(I) Only
	AD61-01668A	HOLDER-DOOR MULTI;THETA2-PJ,ABS 94HB,T5,	VP-D305(I)/D307(I) Only
216	AD61-01028A	SPRING ETC-DOOR M/S;BETA-PJ,SUS304 WPB,-	VP-D303(I) Only
	AD61-01799A	SPRING ETC-DOOR-MULTI;DELTA2-PJ,SWPB,0.2	VP-D305(I)/D307(I) Only
219	AD97-08483A	ASSY-LEFT BOARD;THETA2-PJ,-,-	VP-D303(I) Only
	AD97-08483B	ASSY-LEFT BOARD(20P);THETA2-PJ,-,-	VP-D305(I)/D307(I) Only
220	AD97-08484B	ASSY-FUNCTION BOARD;THETA2-PJ,-,-	
910	6003-001453	SCREW-TAPTITE;BH,+,B,M1.7,L4,ZPC(BLK)	
913	6002-001085	SCREW-TAPPING;CH,+,2,M1.7,L5,ZPC(BLK),SW	
918	6003-001292	SCREW-TAPTITE;CH(0.3),+,B,M1.7,L3,ZPC(BL	
919	6001-001292	SCREW-MACHINE;PH,+,M1.7,L3.0,ZPC(BLK),SW	

### 3-3 Ass'y Case Right

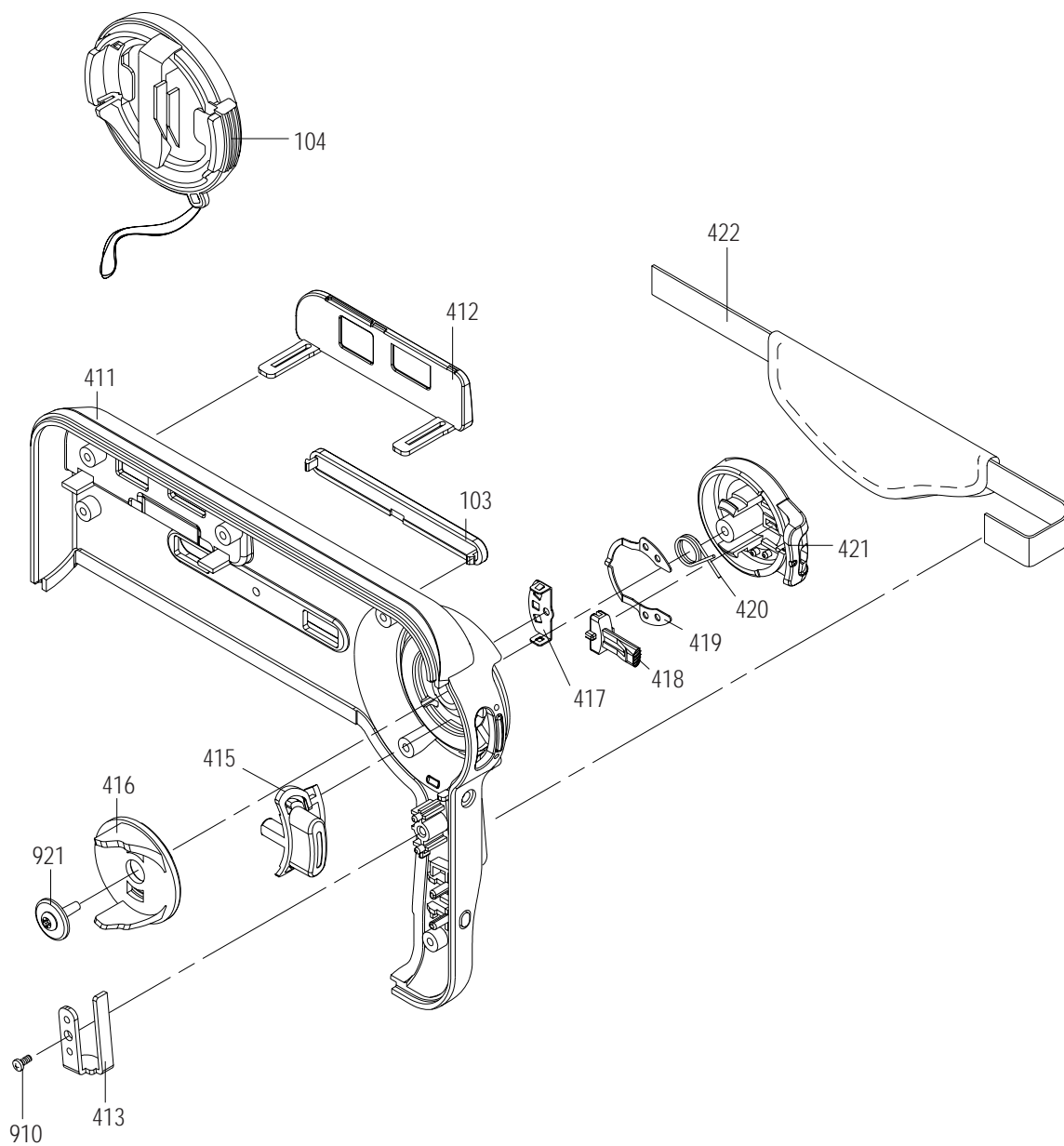
---



Loc. No	Parts No.	Description ; Specification	Remark
155	AD61-12033A	BRACKET-NUT;SV-D10,T0.8,-,-,-,T0.8	
401	AD61-01664B	CASE-RIGHT;THETA2-PJ,ABS 94HB,T40,W100,L	
402	AD64-01187A	KNOB-NIGHT SHOT;THETA2-PJ,ABS 94HB,T5,W7	
403	AD61-01670A	HOLDER-NIGHT SHOT;THETA2-PJ,POM,T5,W17,L	
405	AD61-01653A	BRACKET-SHOULDER STRAP;THETA2,SUS304 1/2	
406	AD61-01651A	BRACKET-RIGHT;THETA2,SUS304 1/2H,T0.5,W1	
407	AD63-00595A	COVER-RIGHT BACK;THETA2-PJ,ABS 94HB,T1.3	
408	AD97-08485A	ASSY-JACK BOARD;THETA2-PJ,-,-	
409	AD61-01652A	BRACKET-JACK USB;THETA2,SUS304 1/4H,T0.5	
902	6001-001526	SCREW-MACHINE;CH(0.3),+,M1.7,L3.0,NI PLT	
905	6001-000805	SCREW-MACHINE;CH,+,M1.7,L3,NI PLT,SWRCH1	
910	6003-001453	SCREW-TAPTITE;BH,+,B,M1.7,L4,ZPC(BLK)	

### 3-4 Ass'y Cover Right

---

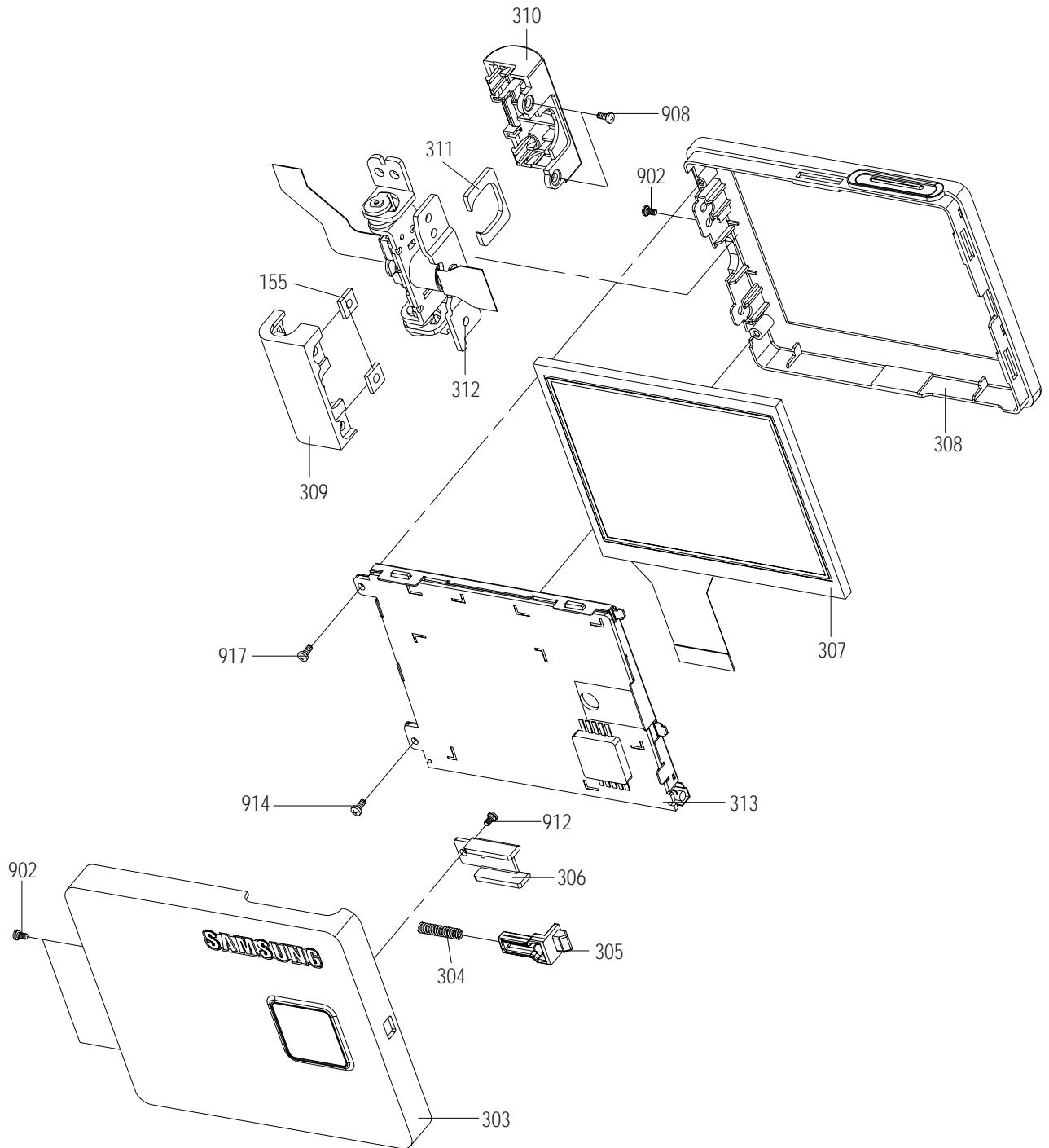




Loc. No	Parts No.	Description ; Specification	Remark
103	AD63-00587A	COVER-JIG RIGHT;THETA2-PJ,ABS 94HB,T1.0,	
104	AD97-07354A	ASSY-CAP HOOD;ASSY,THETA-PJ,D/GRAY	
411	AD63-00588A	COVER-RIGHT;THETA2-PJ,ABS 94HB,T15,W79,L	
412	AD63-00586A	COVER-JACK USB;THETA2-PJ,ABS+TPU,T2.0,W5	
413	AD61-01307A	BRACKET-GRIP BACK;THETA-PJ,SUS,T0.8,-,-,	
415	AD64-01194A	BOTTON-REC;THETA2-PJ,ABS 94HB,12X12X7.2,	
416	AD61-01671A	HOLDER-POWER;THETA2-PJ,POM,T9,W15,L15,BL	
417	AD61-01660A	PLATE-POWER;THETA2-PJ,SUS301 1/2H,T0.25,	
418	AD64-01196A	LOCKER-POWER;THETA2-PJ,POM,GREEN,-,-,-	
419	AD61-01673A	PLATE-SPRING POWER;THETA2-PJ,STS301 1/2H	
420	AD61-00915A	SPRING ETC-LOCK POWER;W3/4-PJ,SUS304 WPB	
421	AD64-01188A	KNOB-POWER;THETA2-PJ,ABS 94HB,T5,W10,L10	
422	AD59-00103A	UNIT-BELT GRIP;THETA-PJ,-,LEATHER,-,-,-,	
910	6003-001453	SCREW-TAPTITE;BH,+ ,B,M1.7,L4,ZPC(BLK)	
921	6003-001300	SCREW-TAPTITE;CH,+ ,B,M1.7,L4,ZPC(BLK),SW	

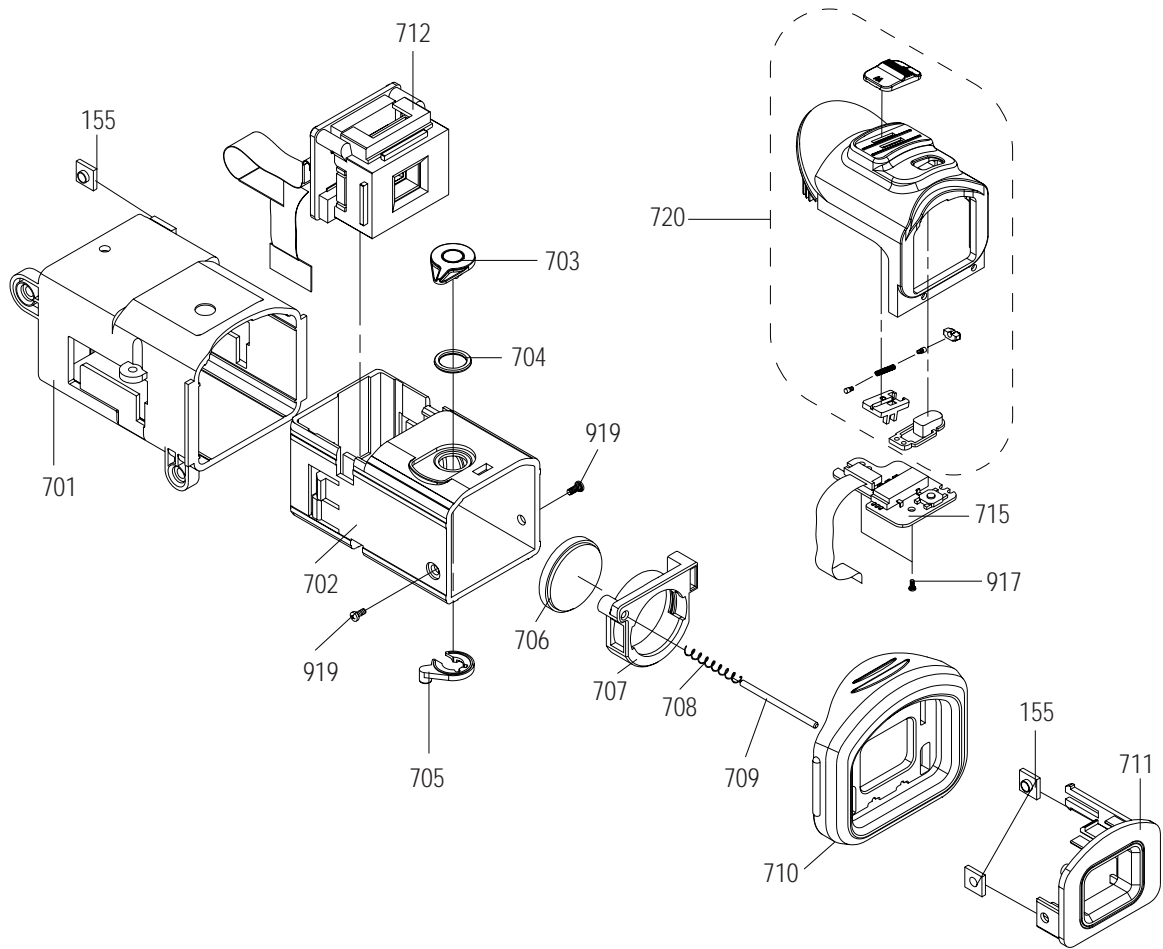
### 3-5 Ass'y LCD

---



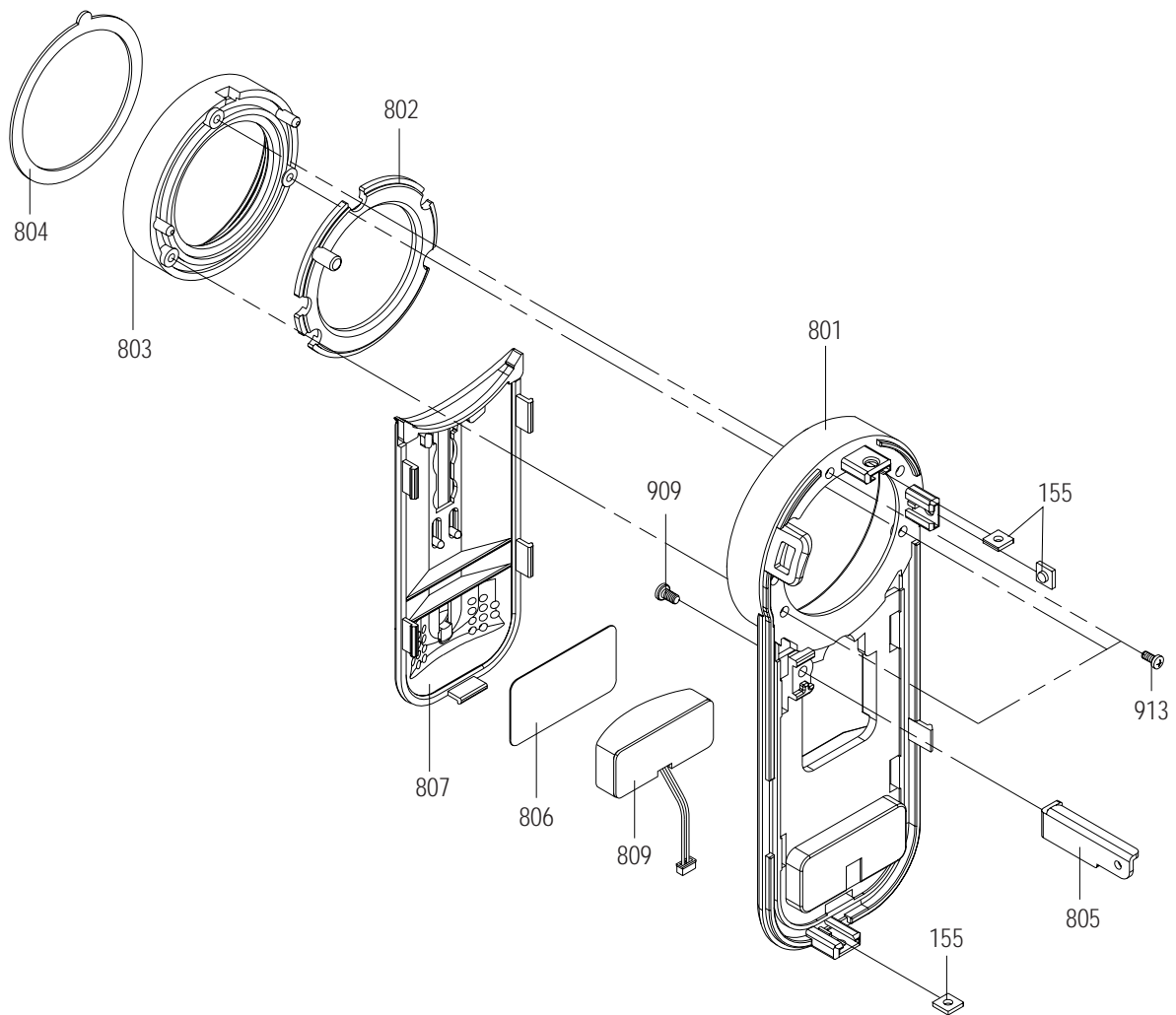
Loc. No	Parts No.	Description ; Specification	Remark
155	AD61-12033A	BRACKET-NUT;SV-D10,T0.8,-,-,-,T0.8	
303	AD61-01662D	CASE-LCD TOP;THETA2-PJ,ABS 94HB,T7,W70,L	VP-D303 Only
	AD61-01662E	CASE-LCD TOP;THETA2-PJ,ABS 94HB,T7,W70,L	VP-D303I Only
	AD61-01662F	CASE-LCD TOP;THETA2-PJ,ABS 94HB,T7,W70,L	VP-D305 Only
	AD61-01662G	CASE-LCD TOP;THETA2-PJ,ABS 94HB,T7,W70,L	VP-D305I Only
	AD61-01819B	CASE-LCD TOP;VP-D307,ABS 94HB,T7.6,W52,L	VP-D307 Only
	AD61-01819C	CASE-LCD TOP;VP-D307i,ABS 94HB,T7.6,W52,	VP-D307I Only
304	AD61-01299A	SPRING ETC-LOCK LCD;THETA-PJ,SWPB,-,-,-,	
305	AD64-01198A	LOCKER-LCD;THETA2-PJ,POM,L/GRAY,-,-,-	
306	AD63-00448A	COVER-LOCK LCD;THETA-PJ,ABS,-,-,-,-,-,	
307	AD07-00037A	LCD-PANEL;ACX307AKA,THETA-PJ,560*220,55*	VP-D303(I)/D305(I) Only
	AD07-00044A	LCD-PANNEL;ALP236FFX10,GAMMA2/THETA2,-,5	VP-D307(I) Only
308	AD61-01663A	CASE-LCD BOTTOM;THETA2-PJ,ABS 94HB,T3,W5	VP-D303(I)/D305(I) Only
	AD61-01820A	CASE-LCD BOTTOM;THETA2-PJ,ABS 94HB,T3,W5	VP-D307(I) Only
309	AD63-00592A	COVER-HINGE TOP;THETA2-PJ,ABS 94HB,T15,W	
310	AD63-00593A	COVER-HINGE BOTTOM;THETA2-PJ,ABS 94HB,T1	
311	AD63-00291B	COVER-SLIDE;D5-PJ(SILVER),POLYSLIDE T0.8	
312	AD97-03840A	ASSY-HINGE;ASSY,D5-PJ,-	
313	AD97-08522A	ASSY-LCD BOARD[123K_SONY];THETA2-PJ,-,-	VP-D303(I)/D305(I) Only
	AD97-08866A	ASSY-LCD BOARD(PAL);-, THETA2,LCD BOARD(P	VP-D307(I) Only
902	6001-001526	SCREW-MACHINE;CH(0.3),+,M1.7,L3.0,NI PLT	
908	6001-001527	SCREW-MACHINE;CH(0.3),+,M1.7,L2.0,NI PLT	
912	6003-001291	SCREW-TAPTITE;CH,+,B,M1.4,L3.0,ZPC(BLK),	
914	6001-001285	SCREW-MACHINE;PH,+,M1.4,L3,ZPC(BLK),SWRC	
917	6003-001292	SCREW-TAPTITE;CH(0.3),+,B,M1.7,L3,ZPC(BL	

### 3-6 Ass'y CVF/Zoom



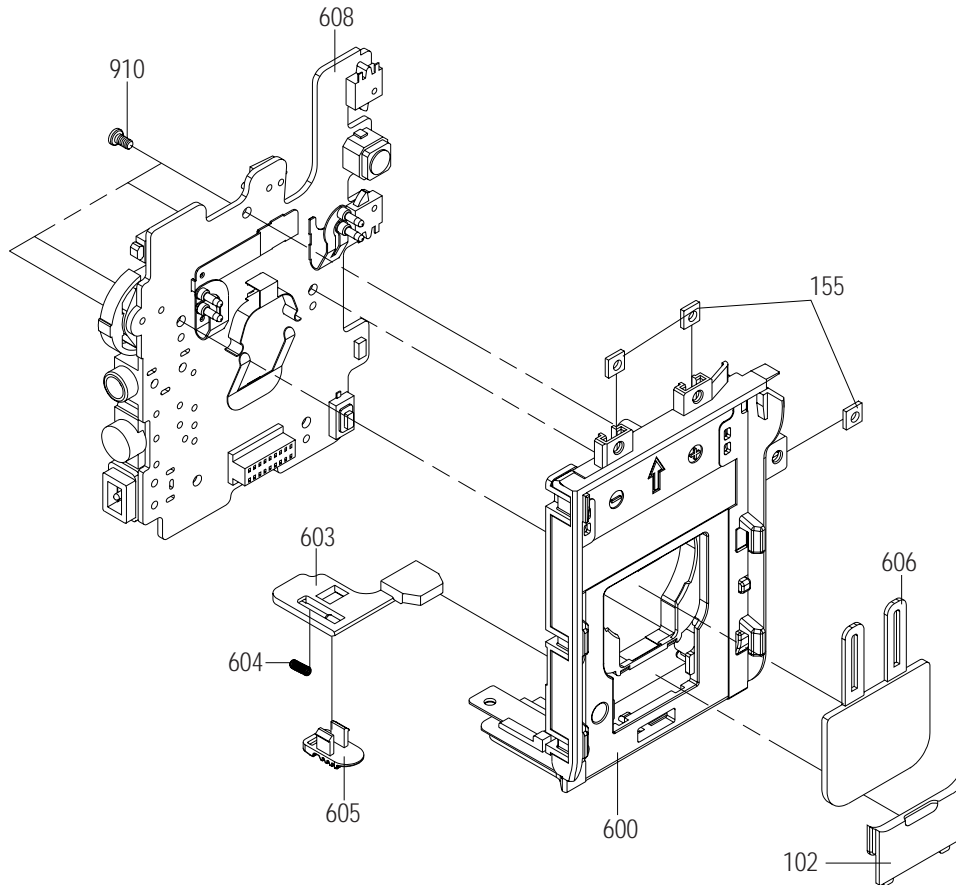
Loc. No	Parts No.	Description ; Specification	Remark
155	AD61-12033A	BRACKET-NUT;SV-D10,T0.8,-,-,-,T0.8	
701	AD61-01644A	CASE-EVF MAIN;THETA2-PJ,ABS 94HB,T30,W30	
702	AD61-01643A	CASE-EVF SLIDE;THETA2-PJ,PC,T30,W30,L40,	
703	AD64-01183A	KNOB-EVF;THETA2-PJ,ABS 94HB,T7,W4,L7,-,	
704	AD73-00124A	RUBBER-EVF RING;THETA2-PJ,NBR,5X5X0.6,-,	
705	AD64-01184A	KNOB-EVF ROTATION;THETA2-PJ,POM,T6,W6,L3	
706	AD67-00194A	LENS-EVF 14X G1;DELTA-PJ,OPT PLASTIC PMM	
707	AD61-01648A	HOLDER-LENS 14X;THETA2-PJ,ABS 94HB,T5,W1	
708	AD61-01650A	SPRING ETC-EVF LENS;THETA2-PJ,SUS304 WPB	
709	AD66-00281A	SHAFT-EVF LENS;THETA2-PJ,SUS,L17.5,1.0,-	
710	AD73-00123A	RUBBER-EYE CUP;THETA2-PJ,TPE,25X20X10,-,	
711	AD61-01649A	HOLDER-EYE CUP;THETA2-PJ,ABS 94HB,T10,W2	
712	AD97-06849A	ASSY-UNIT CVF;-GAMMA-PJ,EXP/NTSC	
715	AD97-08486B	ASSY-ZOOM BOARD;THETA2-PJ,-,-	
720	AD97-08587A	ASSY-ZOOM;ASSY,THETA2-PJ,-	
917	6003-001292	SCREW-TAPTITE;CH(0.3),+,B,M1.7,L3,ZPC(BL	
919	6001-001292	SCREW-MACHINE;PH,+,M1.7,L3.0,ZPC(BLK),SW	

### 3-7 Ass'y Front



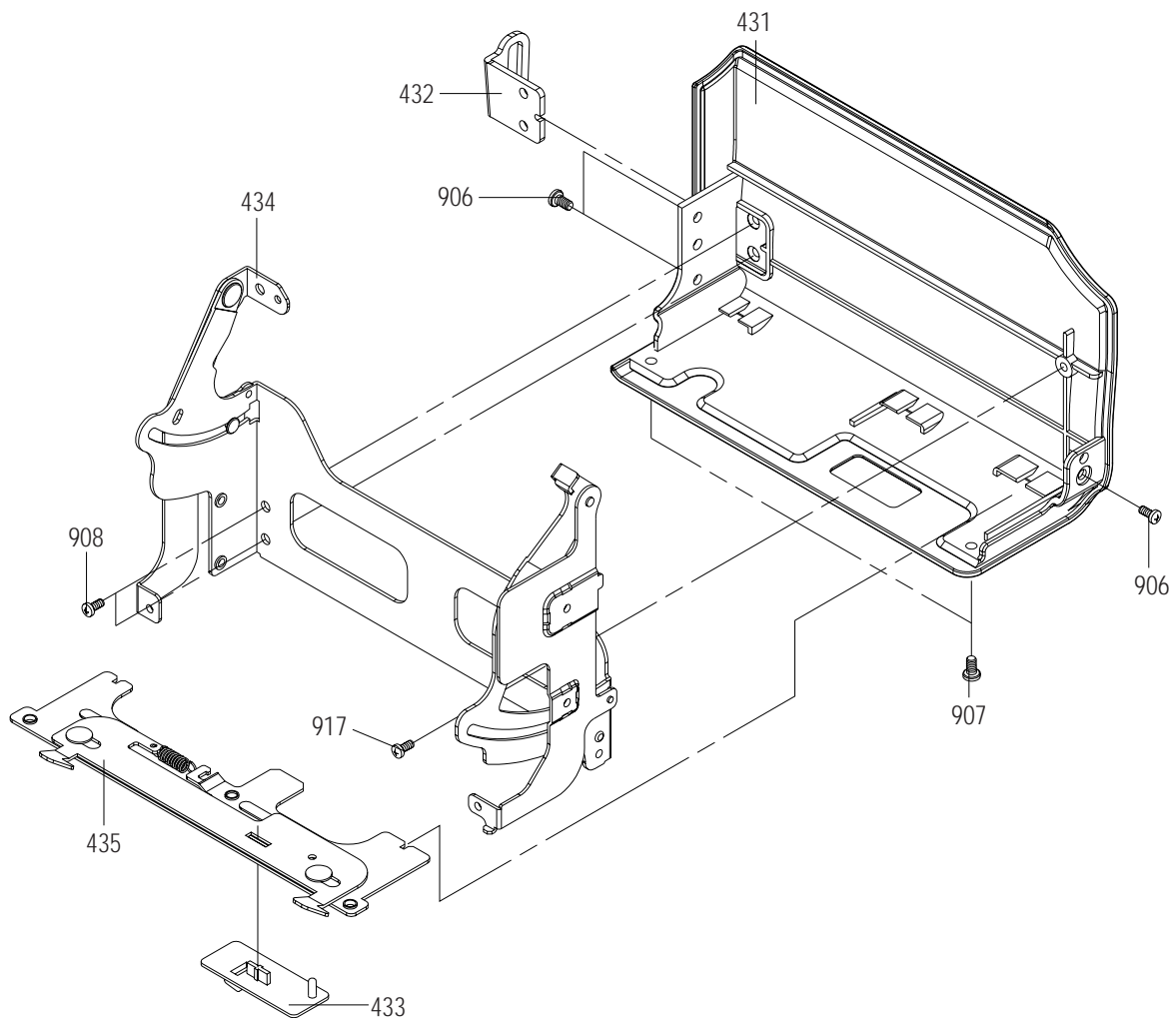
Loc. No	Parts No.	Description ; Specification	Remark
155	AD61-12033A	BRACKET-NUT;SV-D10,T0.8,-,-,-,T0.8	
801	AD61-01674A	CASE-FRONT;THETA2-PJ,ABS 94HB,T2.0,W40,L	
802	AD73-00125A	RUBBER-HOOD;THETA2-PJ,SILICON,30X30X5,60	
803	AD61-01672A	HOLDER-HOOD;THETA2-PJ,PC,T9,W31.9,L31.9,	
804	AD64-01201A	INLAY-HOOD;THETA2-PJ,PVC,T0.5,W40,L40,BL	
805	AD61-01655A	BRACKET-FRONT;THETA2,SUS304 1/2H,T0.8,W5	
806	AD63-00568A	SHEET-MIC;DELTA2-PJ,ϕCE <sub>i</sub> ~Δ <sub>i</sub> ,T0.2,W12.2,L2	
807	AD63-00589A	COVER-FRONT;THETA2-PJ,ABS 94HB,T7.8,W25.	
809	AD97-08597A	ASSY-UNIT MIC;- ,THETA2-PJ,UNIT MIC	
909	6001-001719	SCREW-MACHINE;CH,+ ,M1.7,L4,NI PLT	
913	6002-001085	SCREW-TAPPING;CH,+ ,2,M1.7,L5,ZPC(BLK),SW	

### 3-8 Ass'y Rear



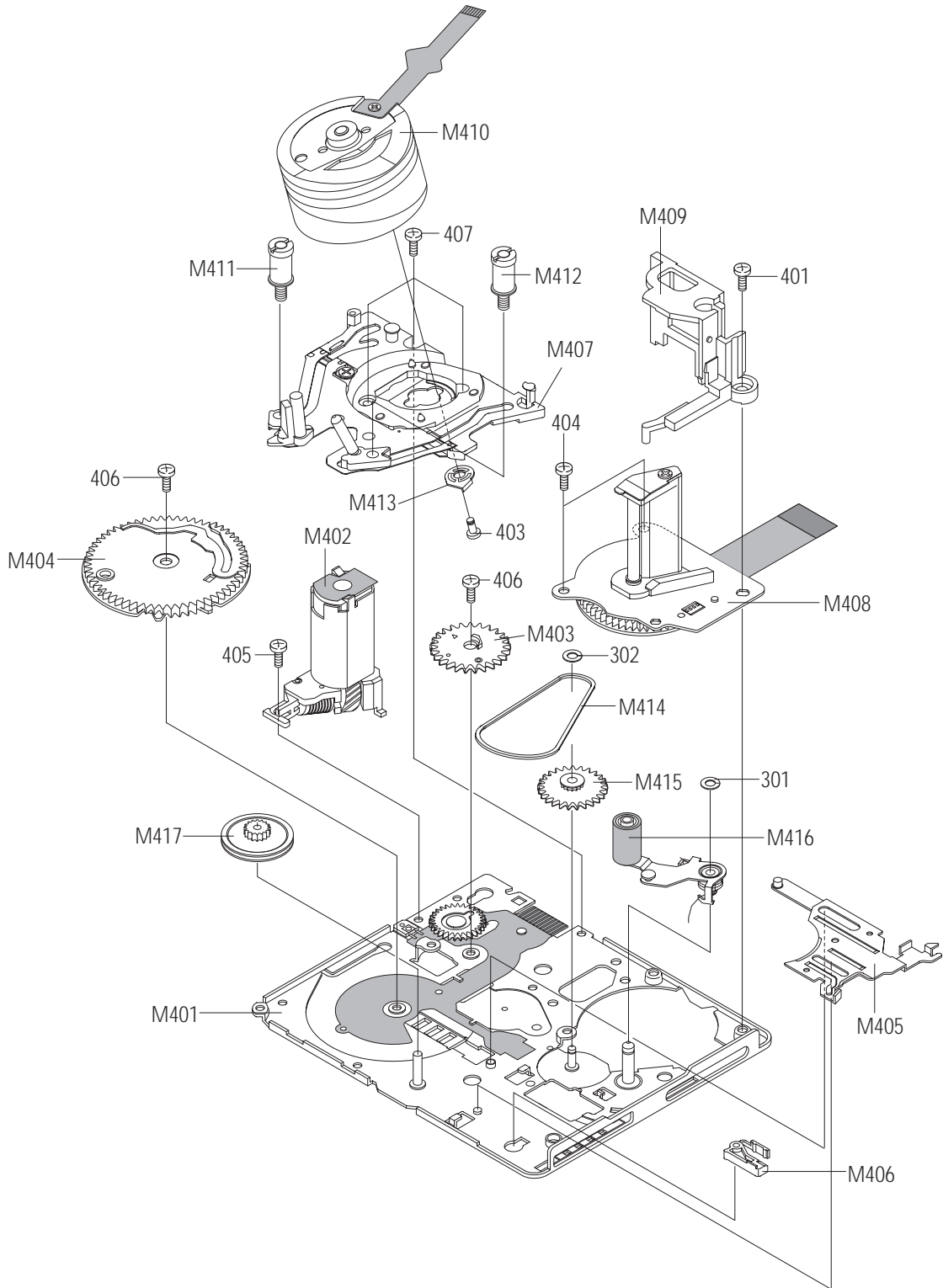
Loc. No	Parts No.	Description ; Specification	Remark
102	AD63-00584A	COVER-JIG;THETA2-PJ,ABS94HB,T2,W20,L10,-	
155	AD61-12033A	BRACKET-NUT;SV-D10,T0.8,-,-,-,T0.8	
600	AD61-01642A	CASE-REAR;THETA2-PJ,ABS 94HB,T18.8,W46,L	
603	AD64-01181A	KNOB-RELEASE BATTERY;THETA2-PJ,POM,T5,W1	
604	AD61-01625A	SPRING ETC-BATTERY EJECT;DELTA2-PJ,SUS30	
605	AD64-01180A	KNOB-EJECT BATTERY;THETA2-PJ,ABS 94HB,T5	
606	AD63-00527C	COVER-LITHUM BATTERY;SC-D303/XAA,ABS94+U	
608	AD97-08487A	ASSY-REAR BOARD;THETA2-PJ,-,-	
910	6003-001453	SCREW-TAPTITE;BH,+ ,B,M1.7,L4,ZPC(BLK)	

### 3-9 Ass'y Housing



Loc. No	Parts No.	Description ; Specification	Remark
431	AD63-00585A	COVER-HOUSING;THETA2-PJ,ABS 94HB,T1.3,W6	
432	AD61-01654A	BRACKET-GRIP FRONT;THETA2,SUS304 1/2H,T1	
433	AD64-01189A	KNOB-TAPE EJECT;THETA2-PJ,PC,T7,W4,L7,-,	
434	AD97-08602A	ASSY-LINK HOUSING;ASSY,THETA2-PJ,-	
435	AD97-04814A	ASSY-TAPE EJECT;SUS,BETA-PJ,-	
906	6001-001444	SCREW-MACHINE;PH,+,M1.7,L2.0,ZPC(BLK),SW	
907	6001-001385	SCREW-MACHINE;CH,+,M1.7,L2.5,ZPC(BLK),SW	
908	6001-001527	SCREW-MACHINE;CH(0.3),+,M1.7,L2.0,NI PLT	
917	6003-001292	SCREW-TAPTITE;CH(0.3),+,B,M1.7,L3,ZPC(BL	

### 3-10 Mechanical Parts (Main Chassis)

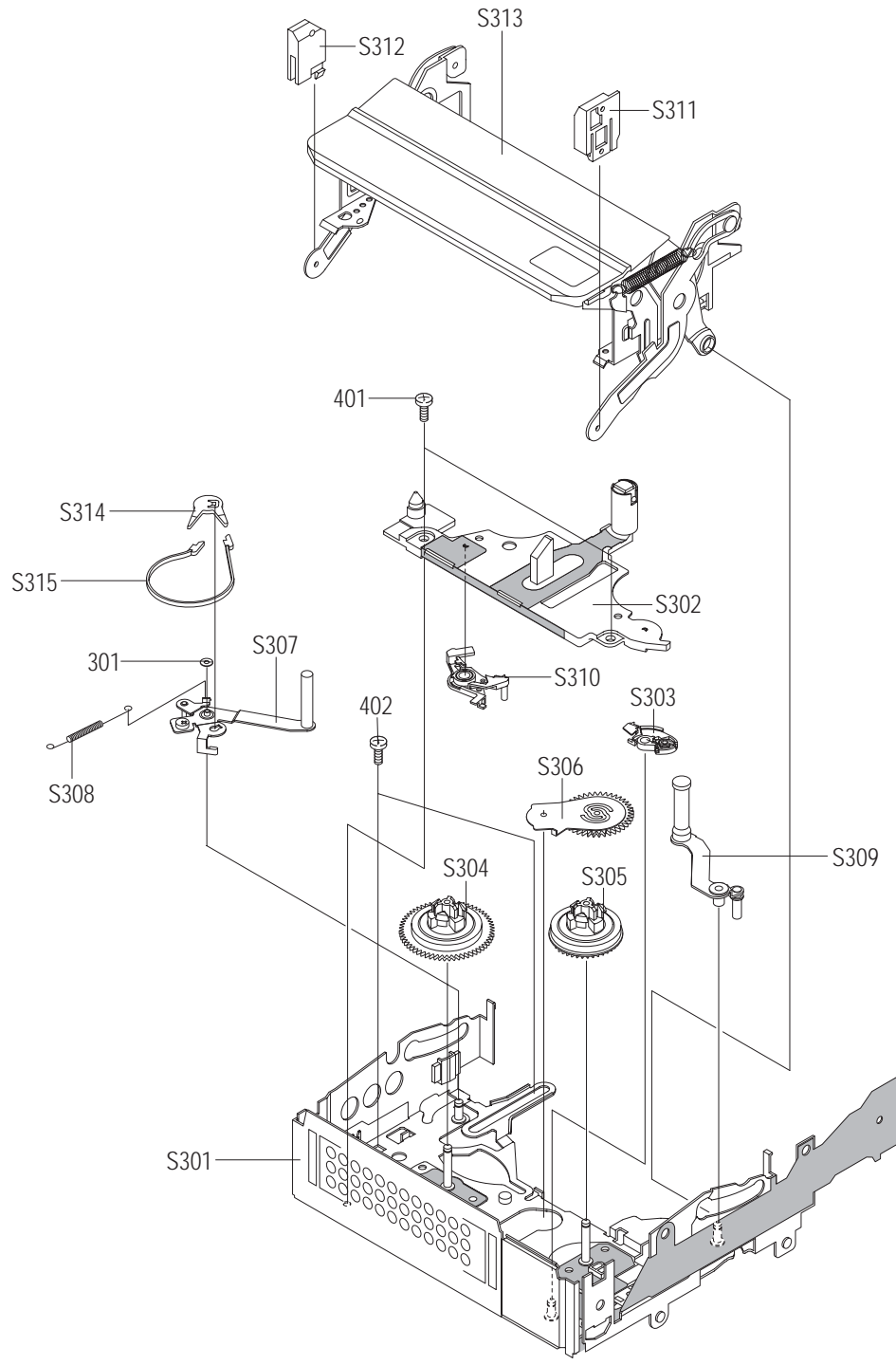




Loc. No	Parts No.	Description ; Specification	Remark
301	6031-001412	WASHER-PLAIN;POLYSLIDE,CUT,IDO.7,D2.0,TO	
302	6031-001417	WASHER-PLAIN;POLYSLIDE,-,IDO.8,D3.0,TO.2	
401	6001-001575	SCREW-MACHINE;PH,+,M1.4,L3.5,ZPC(WHT),SW	
403	6001-001591	SCREW-MACHINE;PH,+,M1.4,L4(1.5),ZPC(BLK)	
404	6001-001715	SCREW-MACHINE;BH,+,M1.4,L2.2,ZPC(BLK)	
405	6001-001590	SCREW-MACHINE;PH,+,M1.4,L2.2,ZPC(BLK),SW	
406	6009-001319	SCREW-SPECIAL;BH,+,-,M1.4,L2.6,ZPC(YEL),	
407	6001-001452	SCREW-MACHINE;BH,+,M1.4,L2.5,BLK,SWRCH18	
M401	AD97-06414A	ASSY-MAIN CHASSIS;-DD-4,ASSY	
M402	AD97-06389A	ASSY-LOADING-MOTOR;MOTOR+TEC,DD-4,ASSY	
M403	AD66-00208A	GEAR-TENSION;DD-4,PBT3300,0.5,24,-,-,PCD	
M404	AD97-07909A	ASSY-GEAR-CAM-MAIN;-DD-4,ASSY	
M405	AD66-00212A	SLIDER-MAIN;DD-4,SUS430 CP,T0.4,-,-,NAT,	
M406	AD66-00211A	LEVER-EJECT;DD-4,DURACON MS-02,-,-,-,-	
M407	AD97-06399A	ASSY-DRUM BASE RAIL;-DD-4,-	
M408	AD97-06398A	ASSY-CAPSTAN MOTOR;-DD-4,ASSY	
M409	AD61-01164A	HOLDER-FPC SUB;DD-4,DURACON M90-44,-,-,-	
M410	AD97-06403A	ASSY-DRUM;-DD-4,ASSY	
M411	AD97-06176A	ASSY-GUIDE ROLLER;SUS+ETC,DD-4,-	
M412	AD61-01483A	GUIDE-ROLLER;DD-4,POM,-,-,-,BLACK,MOLD T	
M413	AD61-00558A	PLATE-S/P BASE;DD-3,SUS632 CSP ,T0.15,-,	
M414	AD66-00221A	PULLEY-BELT TIMING;DD-4,POLYURETHAN,-,-,	
M415	AD66-00069A	GEAR-CAPSTAN;DD-3,DYAMID,0.4,28,-,-,PCD	
M416	AD97-06400A	ASSY-ARM-PINCH;-DD-4,ASSY	
M417	AD66-00219A	GEAR-PULLEY;DD-4,DURACON M90-44,0.3,44,-	

### 3-11 Mechanical Parts (Sub Chassis)

---



Loc. No	Parts No.	Description ; Specification	Remark
301	6031-001412	WASHER-PLAIN;POLYSLIDE,CUT,IDO.7,D2.0,TO	
401	6001-001575	SCREW-MACHINE;PH,+,M1.4,L3.5,ZPC(WHT),SW	
402	6009-001320	SCREW-SPECIAL;BH,+,M1.4,L1.7,ZPC(YEL),S	
S301	AD97-06412A	ASSY-SUB CHASSIS;ASSY,DD-4,-	
S302	AD97-06404A	ASSY-COVER-REEL-BRAKE;- ,DD-4,-	
S303	AD97-06390A	ASSY-BRAKE T;- ,DD-4,ASSY	
S304	AD97-06395A	ASSY-REEL-DISK-S;ASSY,DD-4,-	
S305	AD97-06396A	ASSY-REEL-DISK-T;ASSY,DD-4,-	
S306	AD97-06397A	ASSY-IDLER;ASSY,DD-4,-	
S307	AD97-06401A	ASSY-ARM-TENSION;- ,DD-4,ASSY	
S308	AD61-01184A	SPRING ETC-TENSION;DD-4,SUS304-WPB,-,-,-	
S309	AD97-06402A	ASSY-ARM-REVIEW;- ,DD-4,ASSY	
S310	AD97-07213A	ASSY-BRAKE-SOFT-S;- ,DD-4,ASSY	
S311	AD61-01195A	HOUSING-LOCK R;DD-4,DURACON M90-44 DURA	
S312	AD61-01194A	HOUSING-LOCK L;DD-4,DURACON M90-44 DURA	
S313	AD97-06394A	ASSY-HOUSING;SECC+ETC,DD-4,ASSY	
S314	AD61-01159A	HOLDER-BAND;DD-4,DURACON M90-44,-,-,-,NA	
S315	AD69-00425A	BAND-TENSION;DD-4,LUMIRROR,-,-,-,WHITE,-	

# MEMO