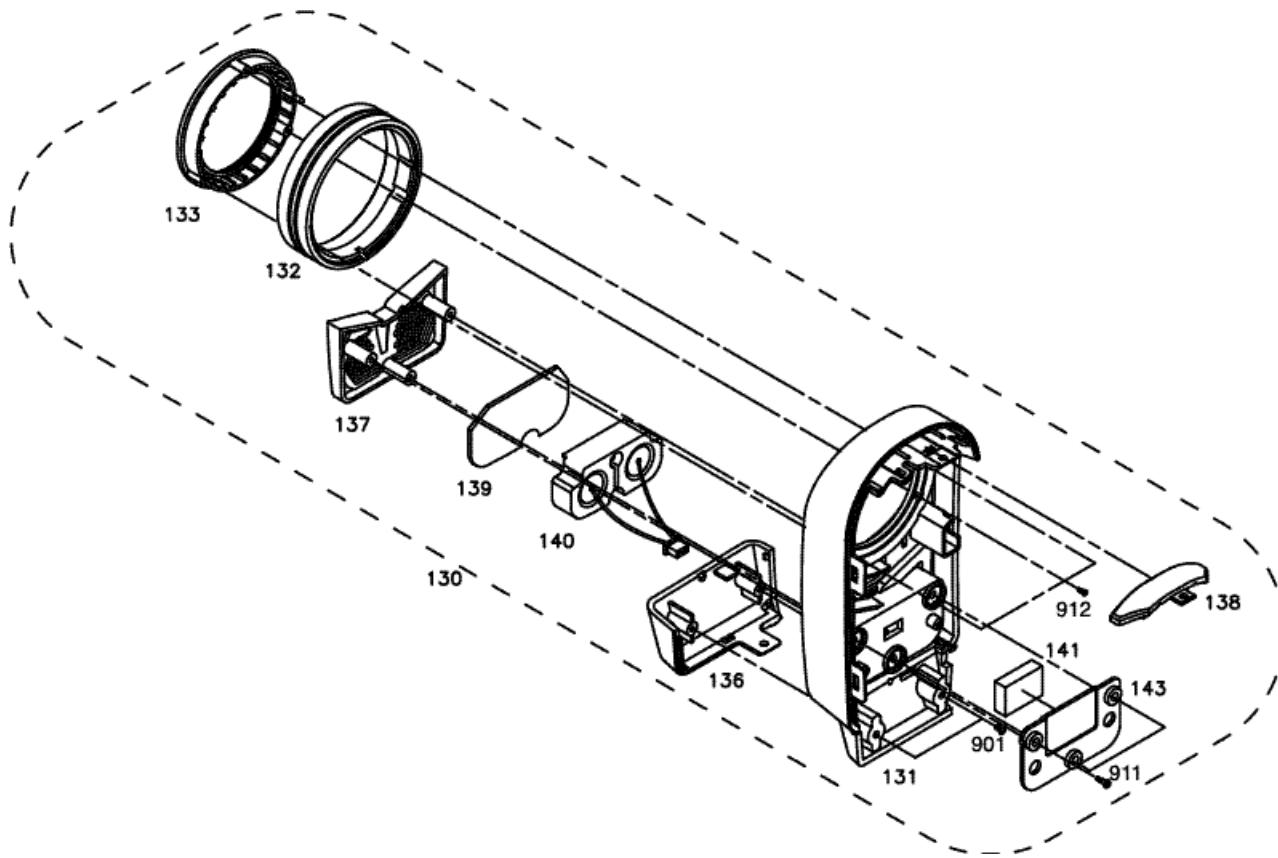

4. Exploded View and Parts List

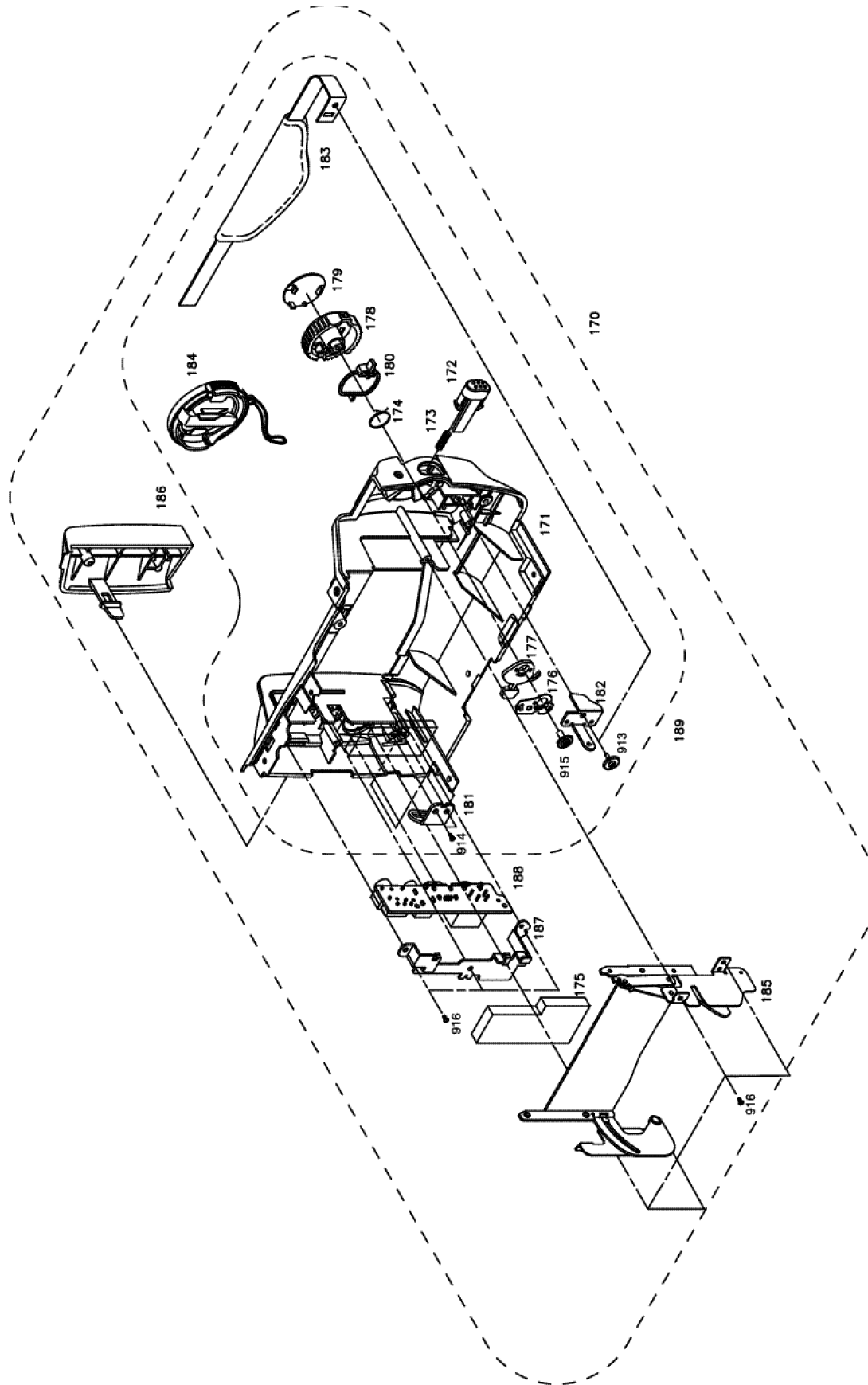
	Page
4-1 ASSY FRONT	4-2
4-2 ASSY RIGHT	4-4
4-3 COVER HOUSING	4-6
4-4 CASE LEFT ASSY	4-8
4-5 LCD ASSY	4-10
4-6 CAMERA & MAIN PCB	4-12
4-7 REAR ASSY	4-14
4-8 EVF ASSY	4-16
4-9 MECHANICAL PARTS(1)	4-18
4-10 MECHANICAL PARTS(2)	4-20

4-1 ASSY FRONT



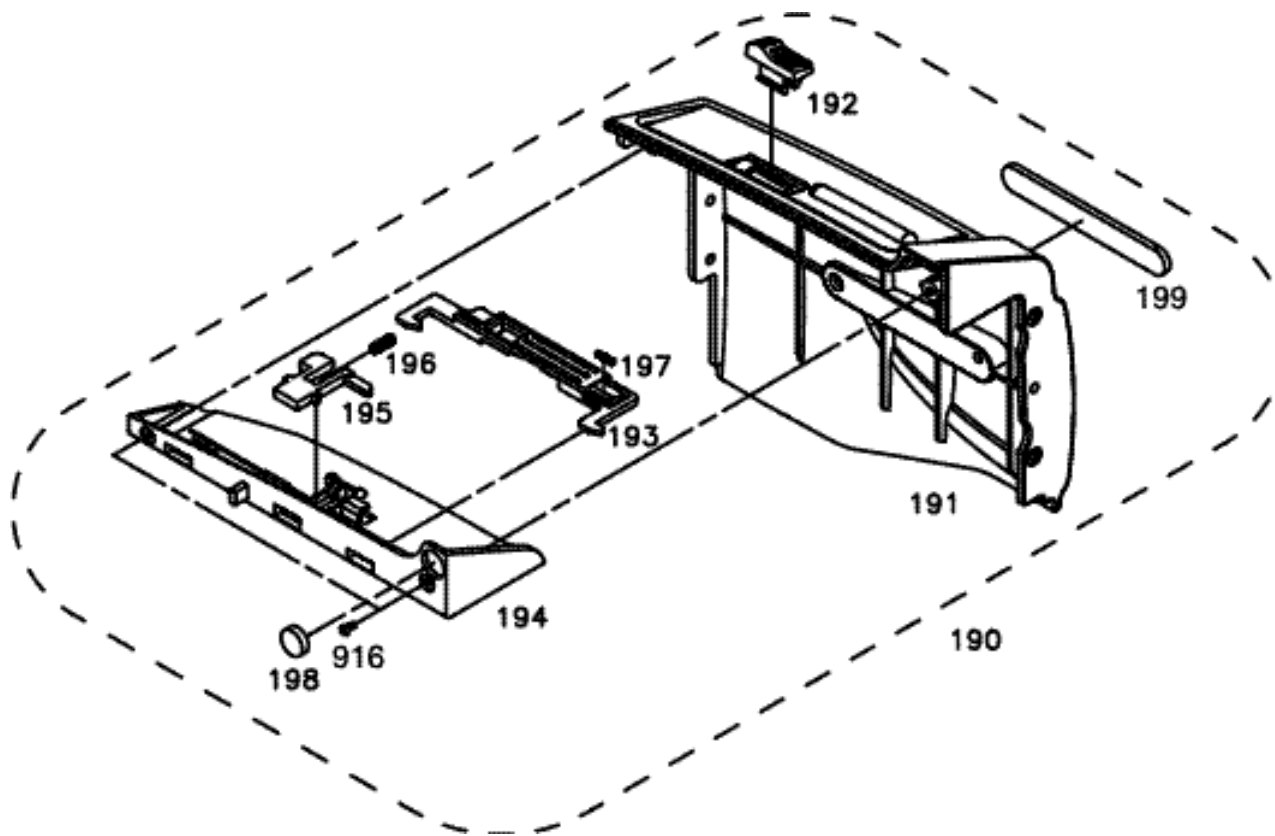
Loc. No	Part No	Description and Specification	Remark
130	AD97-03872A	ASSY-FRONT	
131	AD64-00580A	CASE-FRONT 70;ABS94HB HG0760 G6238	SNA
132	AD67-00130A	LENS-HOOD(AL);A6063A-T5(AL10)	
133	AD61-00391C	HOLDER-LENS-HOOD(22X);ABS 94HB D/GRAY	
136	AD63-00234A	COVER-FRONT 70;ABS94HB HF06601 G3532	
137	AD63-00265A	COVER-MIC;ABS94HB HF06601 G3532	
138	AD64-00568A	BADGE-22X;ABS 94 HB NAT	
139	AD63-00147A	SHEET-MIC;HIMERON BLK T0.2	SNA
140	AD97-03434A	ASSY-MIC	
141	AD69-00250A	PAD-SPONGE MIC 70;SPONGE T3.0	
143	AD97-03693A	ASSY-BRKT MIC	
911	6009-001277	SCREW-SPACE TAP(T1.7X7.6)	
912	6003-001161	SCREW-TAPPING(T1.4X5)	
901	6001-001291	SCREW-TAPPING(T1.7X4)	

4-2 ASSY RIGHT



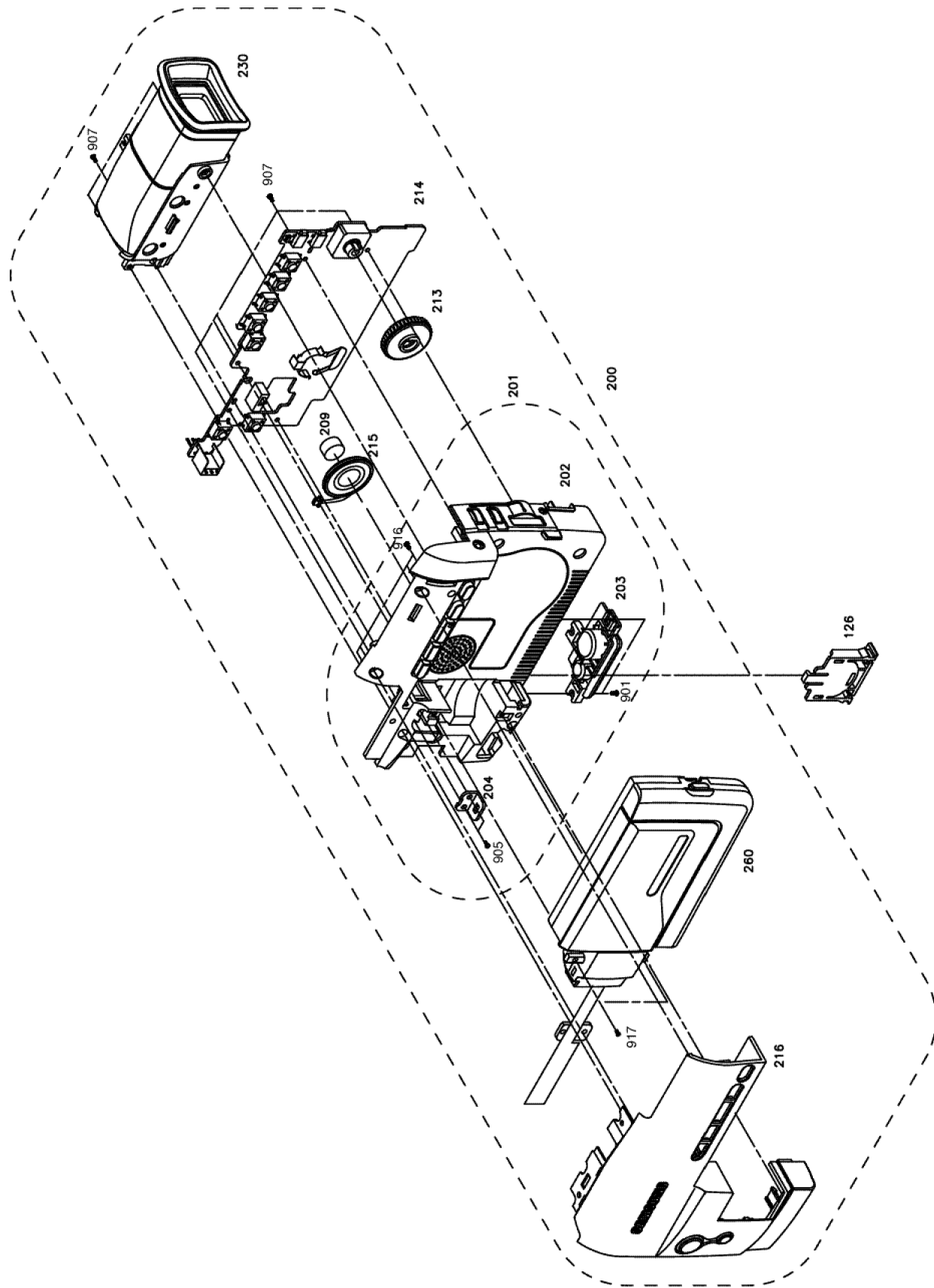
Loc. No	New Part No	Description and Specification	Remark
170	AD97-03373A AD97-03373B	ASSY-RIGHT	SNA(VP-D70) SNA(SCD67/70)
171	AD64-00575A AD64-00575C	CASE-RIGHT;ABS94HB HF0660I G3532	VP-D70 SCD67/70
172	AD64-00576A	BUTTON-REC/STOP;ABS94HB RED	
173	AD61-00220A	SPRING-SNAP SHOT;SUS 304 WPB	
174	AD61-00760A	SPRING-KNOB-POWER;SUS 304 WPB	
175	AD69-00268A	PAD-SPONGE RIGHT;EPDM T5.0	
176	AD61-00844A	PLATE-SPRING POWER;SUS 301 1/2H T0.3	
177	AD61-00701A	HOLDER-POWER;POM BLK	
178	AD64-00577A	KNOB-POWER;ABS94HB HF0660I G3532	
179	AD61-00707A	CAP-POWER;ABS94HB HF0660I G3532	
180	AD64-00578A	LOCKER-POWER;POM GREEN	
181	AD61-00682A	BRKT-GRIP FRONT;SUS304 T0.8	
182	AD61-00683A	BRKT-GRIP REAR;SUS304 T0.8	
183	AD97-03371A	ASSY GRIP-BELT;LEATHER, BLK	
184	AD59-00069A	ASSY-CAP HOOD	
185	AD97-03370A	ASSY-LINK	
186	AD63-00233A	COVER-JACK;TPE	
187	AD63-00223A	BRKT-JACK	
188	AD97-03393A	ASSY FPC-JACK	
913	AD60-00003A	SCREW-TAPPING(T2X6)	
914	AC60-10061A	SCREW-TAPPING(T2X5)	
915	AD60-10509A	SCREW-TAP PWH	
916	AC60-12128A	SCREW-TAPPING(T1.7X4)	

4-3 COVER HOUSING



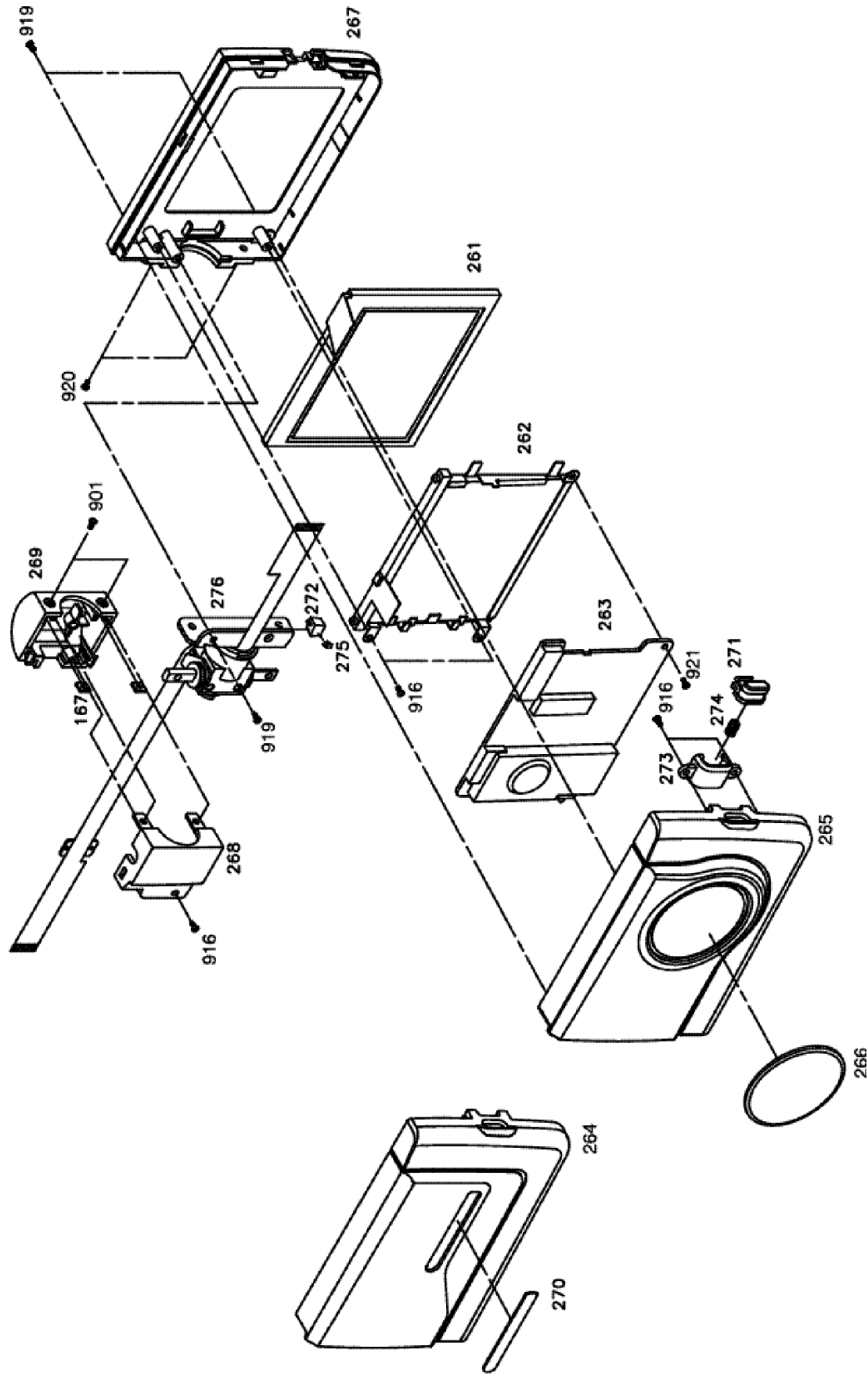
Loc. No	Part No	Description and Specification	Remark
190	AD97-03372A	ASSY-COVER HOUSING	SNA
191	AD63-00225A	COVER-HOUSING;ABS94HB HF06601 G3532	
192	AD64-00553A	KNOB-TAPE/EJECT;ABS94HB HF06601 G3532	
193	AD64-00554A	LOCK-TAPE/EJECT;POMBLK	
194	AD61-00690A	HOLDER-TAPE/EJECT;ABS94HB HF06601 G3532	
195	AD66-00118A	SLIDER-TAPE/EJECT;ABS94HB HF06601 G3532	
199	AD63-00229A	COVER-DUMY HOUSING;PET,T1.5,BLK	
196	AD61-00691A	SPRING-HOUSING;WPB,BLK	
197	AD61-00693A	SPRING-KNOB DSC;SUS 304 WPB	
198	AD69-00045A	PAD-LCD;EVA,BLK	
199	AD63-00229A	COVER-DUMMY HOUSING	
916	AC60-12128A	SCREW-TAP(1.7X4,BLK);BLK	

4-5 CASE LEFT ASSY



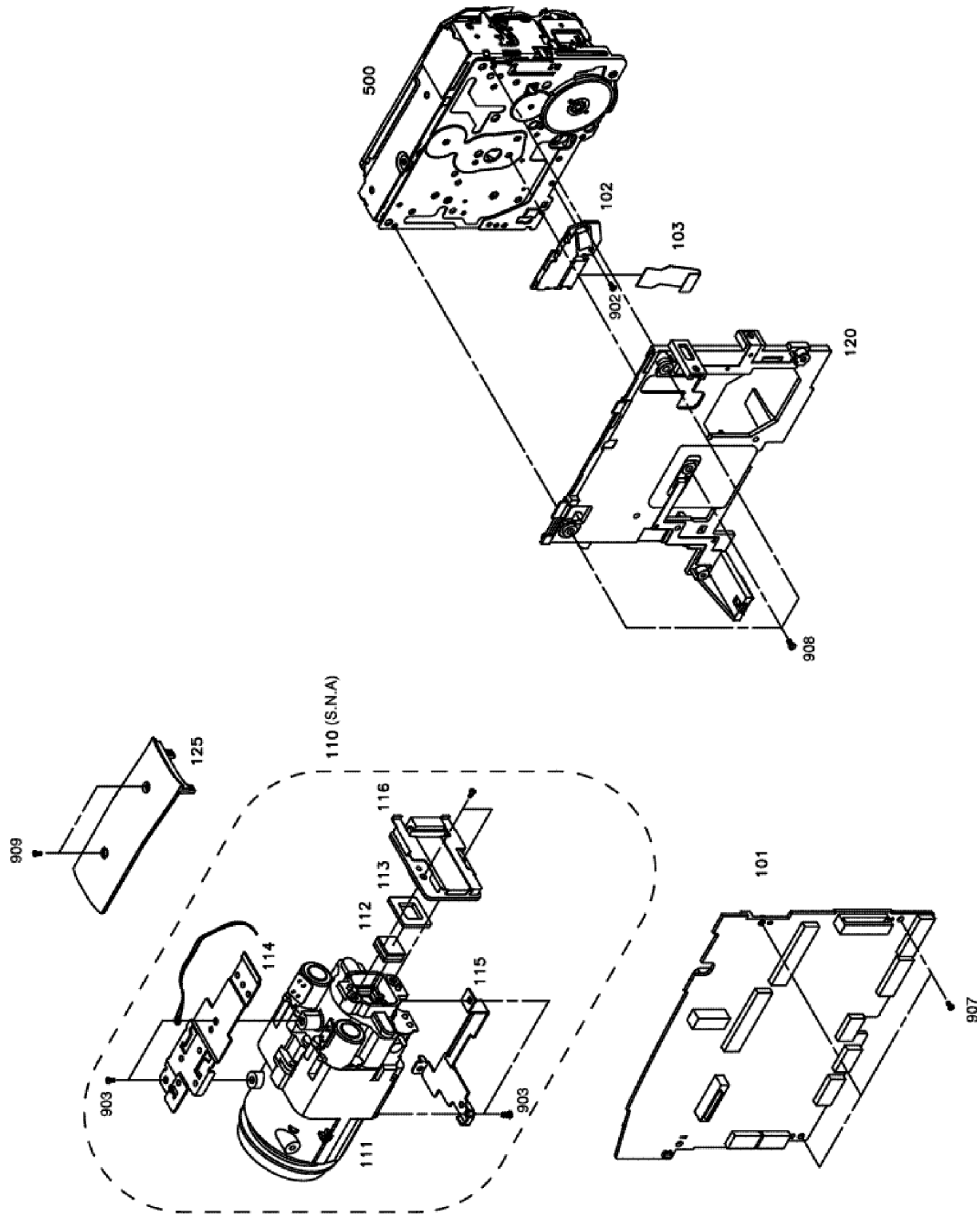
Loc. No	Part No	Description and Specification	Reamrk
200	AD97-03696A	ASSY-LEFT	SNA(SCD67)
	AD97-03438A		SNA(SCD70)
	AD97-03378A		SNA(VPD70)
201	AD97-03462A	UNIT-CASE LEFT	
202	AD64-00563A	CASE-LEFT;ABS94HB HF06601 G3532	
203	AD97-03402A	ASSY-TRIPOD;PC G4487B + » μø(μμ±)	
204	AD61-00581A	BRKT-HINGE;SUS301 T1.0	
209	AD69-00236A	PAD-SPEAKER;EVA-SPONGE	
212	AD73-00060A	RUBBER-SPEAKER;øĭ ,BLK,T1.0	
213	AD64-00240C	KNOB-DIAL MENU;ABS94HB HF06601 G3532	
214	AD97-03439A	ASSY-FUNCTION B'D	
215	AD97-02047A	ASSY-SPEAKER;SC-L315C, 2816S	
216	AD97-03379A	ASSY-COVER LEFT	
230	AD97-03256A	ASSY-EVF	SNA(SCD67/70)
	AD97-03258A		SNA(VPD70)
260	AD97-03430B	ASSY-LCD	SNA(SCD67)
	AD97-03430C		SNA(SCD70)
	AD97-03430A		SNA(VPD70)
901	6001-001291	SCREW-MACHINE;M1.7X4 BLK	
905	AC60-10054A	SCREW-TAP TITE;TAP2X6 BLK	
907	6002-001085	SCREW-TAPPING(1.7X5);TAP1.7X4,BLK	
916	AC60-12128A	SCREW-TAPPING(1.7X4);TAP1.7X4,BLK	
917	6003-000233	SCREW-TAPPING(2X6);TAP2X6,CH-HEAD,BLK	
126	AD63-00065C	COVER-LI BATT	

4-6 LCD ASSY



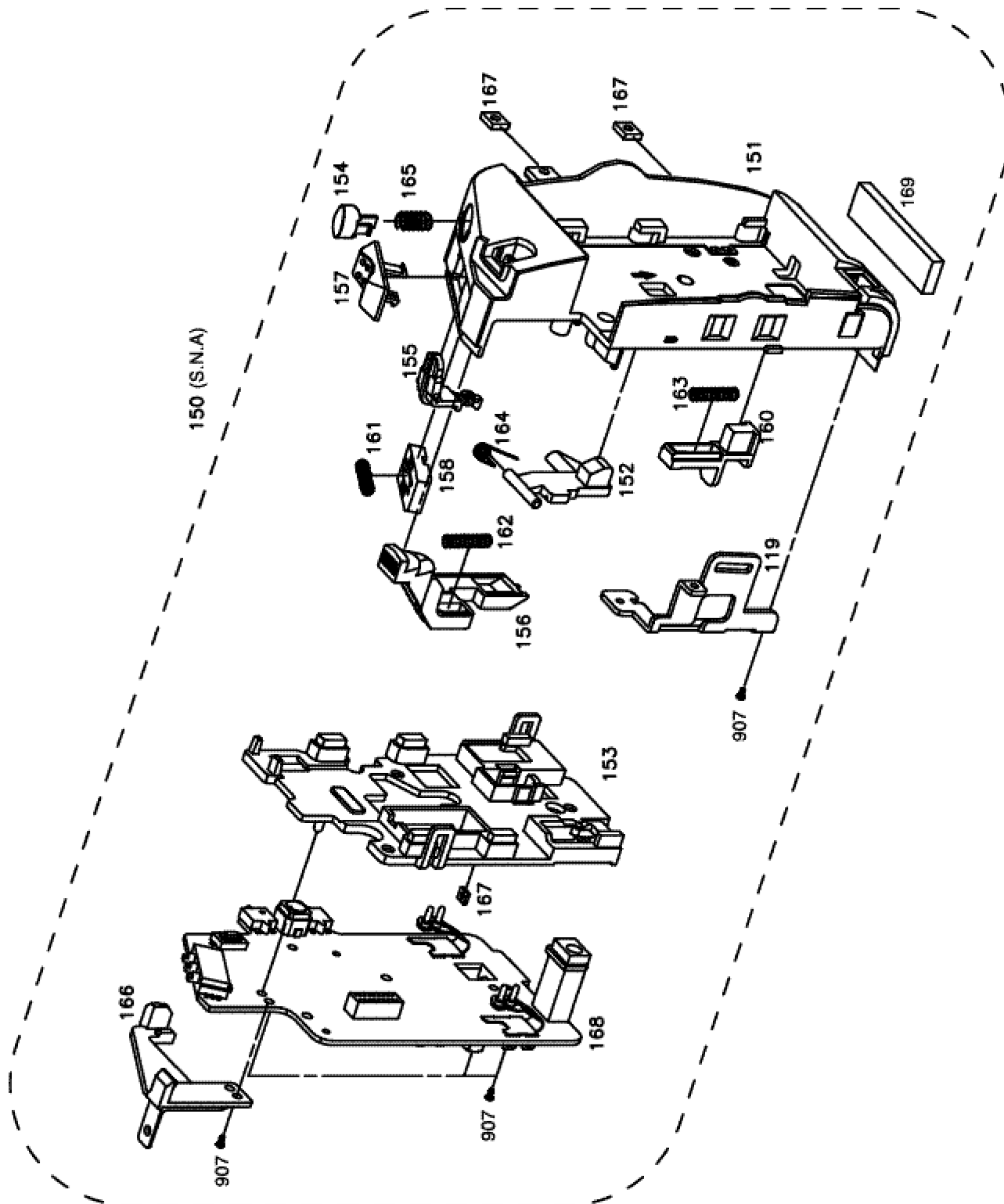
Loc. No	Part No	Description and Specification	Remark
167	AD61-12033A	BRKT-NUT;SECC T0.8	
261	AD07-00019A	LCD	
262	AD97-02233A	ASSY-BACK LIGHT	
263	AD97-03250A	ASSY-LCD BOARD	
264	AD64-00583A	CASE-LCD TOP;ABS 94 VO	
265	AD64-00551B		
266	AD64-00579A	BADGE-LCD;ABS 94HB, /μμ±, DSC	
	AD64-00634A		
267	AD64-00552A	CASE-LCD BOTTOM;ABS 94 VO	VPD70
	AD64-00552B		SCD67/70
268	AD63-00221A	COVER-HINGE TOP;ABS 94HB	
269	AD63-00222A	COVER-HINGE BOTTOM;ABS 94HB	
270	AD64-00609A	INLAY-LCD DIGITAL;PC CLEAR, EPOXY	VPD70
	AD64-00609C		SCD67
	AD64-00609D		SCD70
271	AD64-00445A	BUTTON-LCD LOCK;PC/ABS	
272	AD64-00446A	BUTTON-LCD REVERSE;PC/ABS 94HB	
273	AD61-00585A	GUIDE-LCD LOCK;POM BLK	
274	AD61-00344A	SPRING-LCD LOCK;SWPB	
275	AD61-00627A	SPRING-LCD REVERSE;SUS304 WPB	
276	AD97-03380A	ASSY-HINGE	
901	6001-001291	SCREW-TAPPING;M1.7X4 FEB	
916	AC60-12128A	SCREW-TAPPING;TAP1.7X4 FEB	
919	AC60-10043A	SCREW-TAPPING;TAP1.7X6 FZB	
920	AC60-10019A	SCREW-MACHINE;M2X4 FZB	
921	AC60-10028A	SCREW-MACHINE;M1.7X3 FZB	

4-6 CAMERA ASSY & MAIN PCB



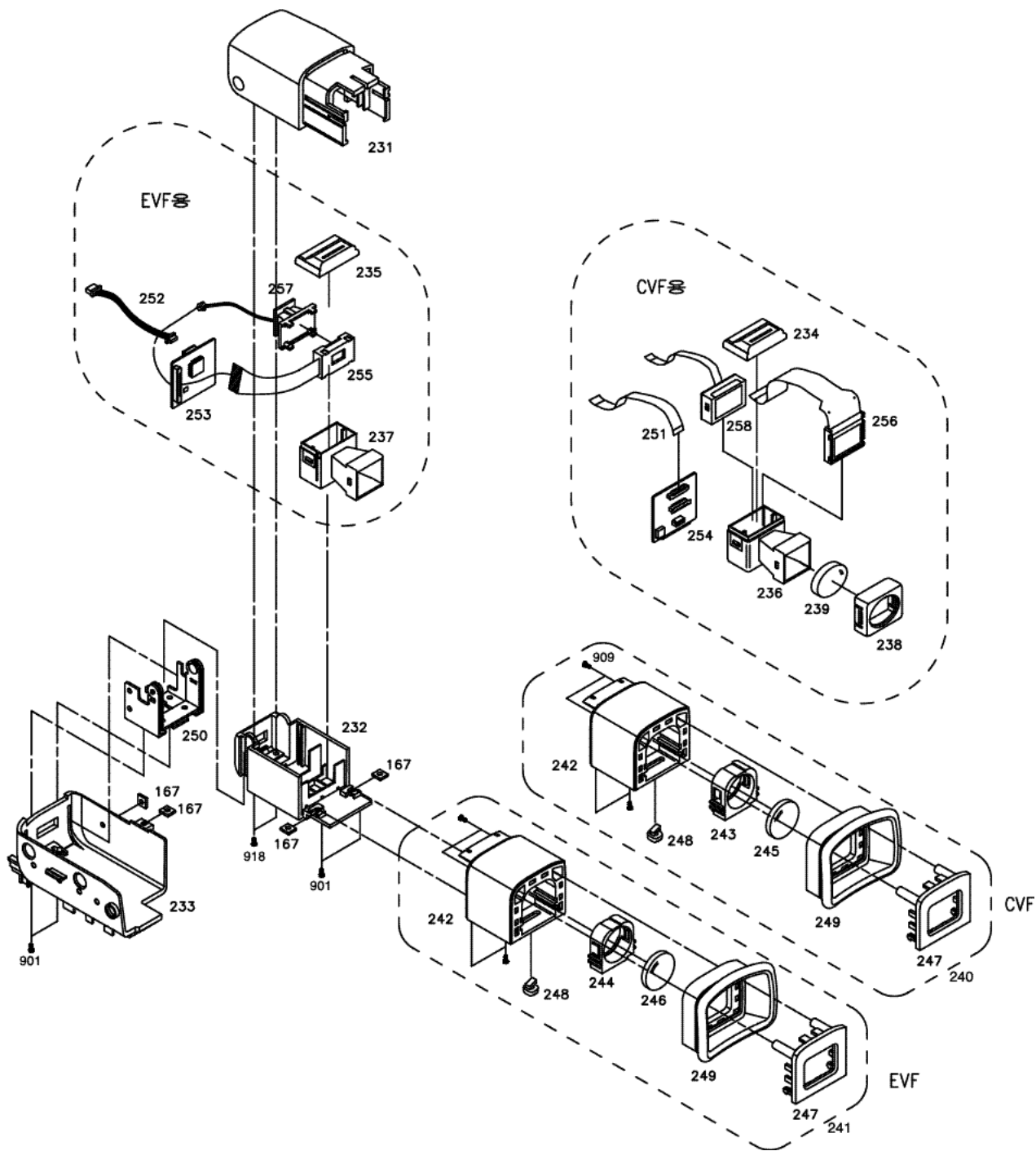
Loc. No	Part No	Description and Specification	Remark
101	AD97-03679A	ASSY-MAIN BOARD	SCD67
	AD97-03443A		SCD70
	AD97-03232A		VPD70
102	AD97-03322A	ASSY-PREAMP	
103			
110	AD97-03686A	ASSY-CAMERA	SNA(SCD67)
	AD97-03235A		SNA(VPD70)
	AD97-033442A		SNA(SCD70)
111	AD97-01684A	ASSY-ZOOM LENS	
112			
113	AD73-00003A	RUBBER-CCD:NBR	
114	AD61-00675A	BRKT-LENS TOP:SUS304 T0.5	
115	AD61-00676A	BRET-LENS-BOT:SUS304 T0.5	
116	AD97-03681A	ASSY-CCD BOARD	SCD67
	AD97-03323A		VPD70
	AD97-03449A		SCD70
120	AD97-03412A	ASSY-FRAME CHASSIS	
125	AD64-00564A	CASE-TOP	
500	AD97-03360A	ASSY-DECK	
902	AC60-12112A	SCREW-MACHINE(M1.4X2)	
903	AC60-10055A	SCREW-TAPPING(T2X4)	
907	6002-001085	SCREW TAP1.7 x 5	
908	AC60-10048A	SPACE M1.4 x 5	
909	6001-001289	SCREW-MACHINE(M1.7X5)	

4-7 REAR ASSY



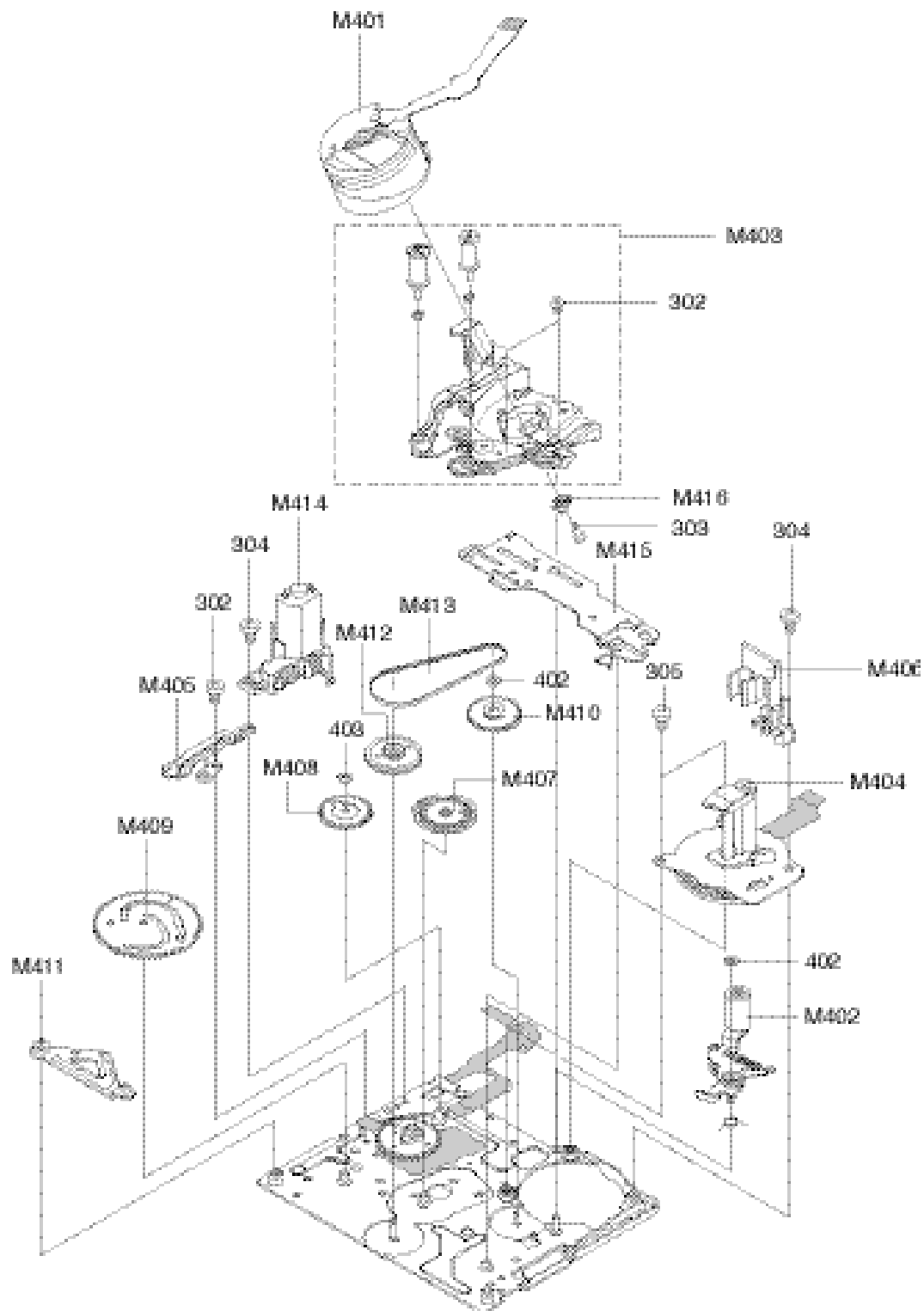
Loc. No	Part No	Description and Specification	Remark
150	AD97-03368A	ASSY-CASE REAR SNA	
151	AD64-00570A	CASE-REAR;ABS94HB HF0660I G3532	
152	AD66-00120A	SLIDER-BATTERY EJECT;POM NTR	
153	AD63-00232A	COVER-HOLE;ABS94HB HF0660I G3532	
154	AD64-00571A	BUTTON-SNAP SHOT;ABS94HB HF0660I G3532	
155	AD61-00698A	HOLDER-SNAP SHOT;POM NTR	
156	AD64-00572A	KNOB-BATTERY EJECT;ABS94HB HF0660I G3532	
157	AD64-00573A	KNOB-ZOOM;ABS94HB HF0660I G3532	
158	AD61-00699A	HOLDER-ZOOM;POM NTR	
159	AD61-00680A	BRACKET-SHOULDER;SUS 304 T1.0	
160	AD64-00574A	KNOB-DIRECTOR;ABS94HB HF0660I G3532	
161	AD61-00776A	SPRING-ZOOM;SUS 304 WPB	
162	AD61-00681A	SPRING-BATTERY RELEASE;SUS 304 WPB	
163	AD61-00218A	SPRING-BATTERY EJECT;SUS 304 WPB	
164	AD61-00219A	SPRING-BATTERY LOCK;SUS 304 WPB	
165	AD61-00220A	SPRING-SNAP SHOT;SUS 304 WPB	
166	AD61-00700A	STOPPER-ZOOM;ABS94HB HF0660I G3532	
167	AD61-12033A	BRACKET-NUT;SECC T0.8	
168	AD97-03234A	ASSY-REAR B'D	
169	AD69-00235A	PAD-LEG;PORON(HH-48),D/GRAY	
907	6002-001085	SCREW-TAPPING(TAP1.7X5.BLK)	

4-8 EVF/CVF ASSY



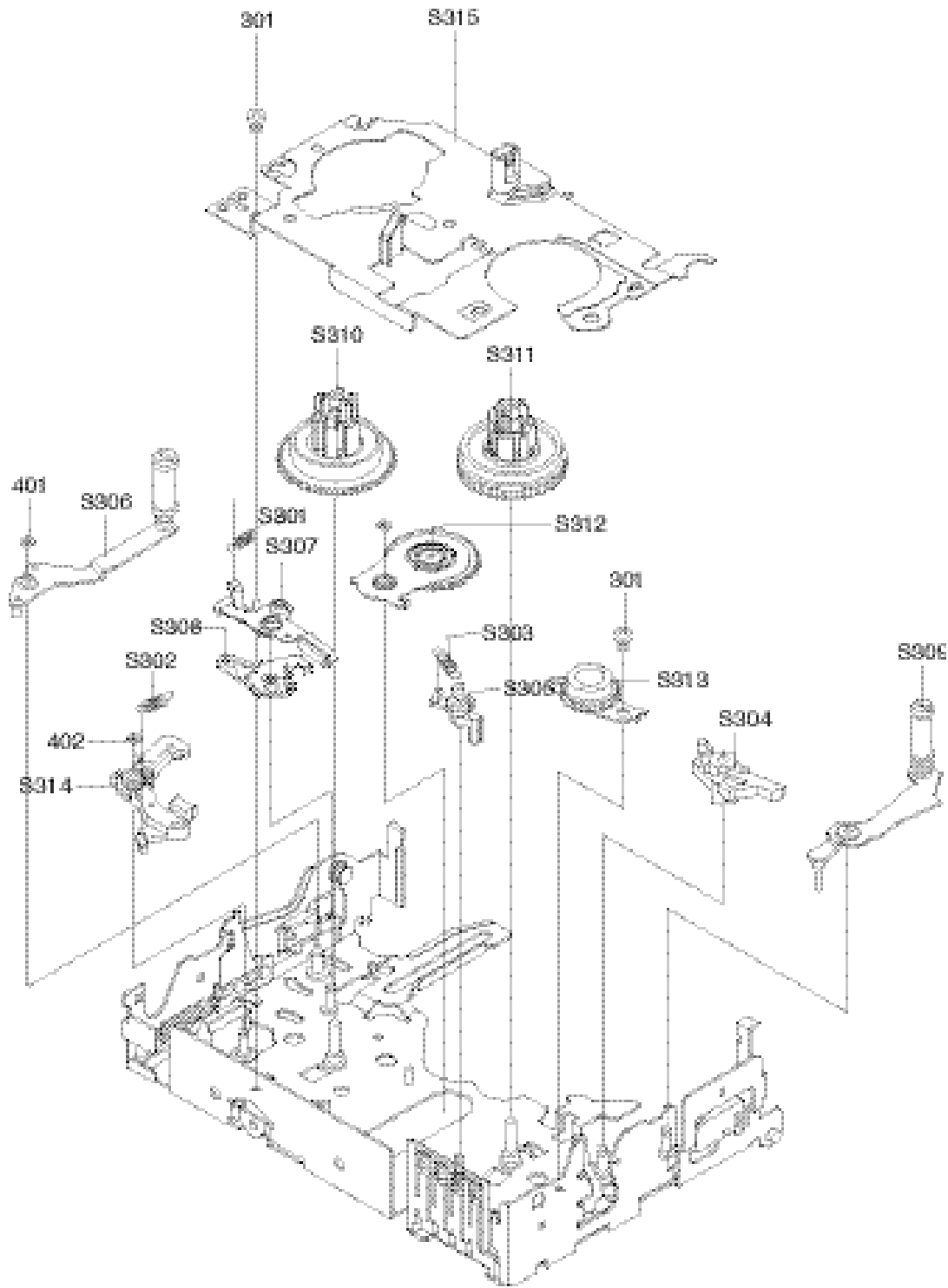
Loc. No	Part No	Description and Specification	Remark
167	AC61-12033A	BRKT-NUT	
231	AD64-00547A	CASE-EVF TOP;ABS94V0 VE0812 G6238	
232	AD64-00548A	CASE-EVF BOTTOM;ABS94V0 VE0812 G6238	
233	AD61-00663A	GUIDE-LINK;PC L1225Y TEIJIN(1 ì+¬-ª)	
234	AD61-00319A	HOLDER-CVF TOP;ABS 94VO BLK(0.44øÌ)	
235	AD61-00430A	HOLDER-EVF TOP;ABS 94VO BLK(0.24øÌ)	
236	AD61-00228A	HOLDER-CVF BOTTOM;PC VO BLK/GF(20%,0.44øÌ)	
237	AD61-00408A	HOLDER-CVF BOTTOM;PC VO BLK/GF(20%,0.24øÌ)	
238	AD61-00304A	HOLDER-COVER LENS;ABS 94HB BLK(0.44øÌ)	
239	AD67-00026A	LENS EVF M G2;OPT PLASTIC PMMA(0.44øÌ)	
240	AD97-03254A	ASSY-CVF LENS	
241	AD97-03255A	ASSY-EVF LENS	
242	AD61-00664A	GUIDE-LENS;ABS94HB HF0660I G3532	SNA
243	AD61-00665A	HOLDER-CVF LENS;ABS 94HB BLK	SNA
244	AD61-00666A	HOLDER-EVF LENS;ABS 94HB BLK	SNA
245	AD67-00027A	LENS EVF M G3;OPT PLASTIC PMMA	SNA
246	AD67-00025A	LENS EVF M G1;OPT PLASTIC PMMA	SNA
247	AD61-00667A	GUIDE-CAP;ABS 94HB BLK	SNA
248	AD64-00549A	KNOB-EVF;POM 94HB BLK	SNA
249	AD73-00051A	RUBBER-EYE CUP;SILICON D/GRAY	
250	AD97-03253A	ASSY-LINK EVF	
251	AD41-00215A	FPC-CVF	
252	AD39-00052A	HANESS-EVF	
253	AD97-03695A	ASSY-EVF BOARD;NTSC/BW	SCD67/70
	AD97-03251A	ASSY-EVF BOARD;PAL/BW	VPD70
254	AD97-03252A	ASSY-CVF BOARD;NTSC/COL	
255	AD07-00009A	LCD;0.25inch B&W	
256	AD07-00008A	LCD;0.44inch COLOR	
257	AD97-01102A	B/LIGHT;0.25inch B&W	
258	AD97-03478A	B/LIGHT;0.44inch COLOR	
901	6001-001291	SCREW-MACHINE;M1.7X4,FZB	
918	AC60-22002A	SCREW-TAP;M1.7X4,FZB	
919	AC60-10043A	SCREW-TAPPING;M1.7X6 FZB	

4-9 MECHANICAL PARTS (1) (MAIN CHASSIS)



Loc. No	Part No	Description and Specification	Remark
302	6001-001452	SCREW-MACHINE;BH,+,M1.4,L2.5,BLK,SWRCH18	
303	6001-001451	SCREW-MACHINE;TH,+,M1.4,L4.12,ZPC(YEL),S	
304	6001-001331	SCREW-MACHINE;BH,+,M1.4,L3.0,BLK(LOCK),S	
305	AC60-12113A	SCREW;- ,BLK,L2.2,S45C-HC,BH,+,-,M1.4	
402	6031-001417	WASHER-PLAIN;POLYSLIDE,-,ID0.8,D3.0,T0.2	
403	6031-001419	WASHER-PLAIN;LUMINA,CUT,ID1.1,OD2.8,T0.2	
M401	AD97-02552A	ASSY-DRUMREV02;AHS+R/T+MOT+PBT,DD-3,ASS	
M402	AD97-02928A	ASSY-ARM-PINCH-FULL;- ,DD-3,-	
M403	AD97-02931A	ASSY-DRUM BASE RAIL;- ,DD-3,-	
M404	AD31-00028A	MOTOR-CAPSTAN;- ,DD-3,-,-,-,-,-,-,-,-	
M405	AD61-00490A	GUIDE-TENSION CAM;DD-3,SUS430 CP,T0.3,-,	
M406	AD61-00496A	HOLDER-FPC SUB;DD-3,DURACON,-,-,-,-	
M407	AD66-00061A	GEAR-CONNECT;DD-3,POM,0.4/0.5,8.5/23,-,-	
M408	AD66-00064A	GEAR-WHEEL;DD-3,POM,0.3/05,30/8,-,-,PCD	
M409	AD66-00065A	GEAR CAM-MAIN;DD-3,SECC,0.5,50,-,-,PCD 2	
M410	AD66-00069A	GEAR-CAPSTAN;DD-3,DYAMID,0.4,28,-,-,PCD	
M411	AD66-00085A	LEVER-CAM;DD-3,SUS430 CP,T0.5,-,-,-,-	
M412	AD66-00098A	GEAR-PULLEY ASSY;DD-3,POM+MAGNET,-,-,-,-	
M413	AD66-62001A	BELT-TIMING;DD-C2R,POLYURETHAN,-,L84,-,-	
M414	AD97-02935A	ASSY-LOADING-MOTOR;- ,DD-3,-	
M415	AD97-02987A	ASSY-SLIDE-MAIN;- ,DD-3,-	
M416	AD61-00558A	PLATE-S/P BASE;DD-3,SUS632 CSP ,T0.15,-,	

4-10 MECHANICAL PARTS(2) (SUB CHASSIS)



Loc. No	Part No	Description and Specification	Remark
301	6001-001513	SCREW;BH,+,M1.4,D3.0 , WH	
401	6031-001430	WASHER-PLAIN;POLYSLIDER,-,ID0.8,D2.5,T0.	
402	6031-001417	WASHER-PLAIN;POLYSLIDE,-,ID0.8,D3.0,T0.2	
S301	AD61-00509A	SPRING-TENSION;DD-3,SUS304-WPB,•0.12,-,	
S302	AD61-00513A	SPRING-BRAKE S;DD-3,SUS304-WPB,•0.18,-,	
S303	AD61-00659A	SPRING-MAIN BRAKE T;DD-3,SWP-B,•0.16,-,	
S304	AD66-00090A	LEVER-EJECT;DD-3,POM,-,-,-,-,-	
S305	AD66-00093A	BRAKE-MAIN T;DD-3,NYLON,-,-,-,-,-	
S306	AD66-00108A	ARM-TENSION-ASSY;DD-3,SUS304 CP+ETC,-,-,	
S307	AD97-02932A	ASSY-BRAKE-TENSION;-,DD-3,-	
S308	AD97-02933A	ASSY-RELEASE-T;-,DD-3,-	
S309	AD97-02934A	ASSY-REVIEW-ARM;-,DD-3,-	
S310	AD97-02938A	ASSY-REEL-DISK-S;-,DD-3,-	
S311	AD97-02939A	ASSY-REEL-DISK-T;-,DD-3,-	
S312	AD97-02940A	ASSY-IDLER;-,DD-3,-	
S313	AD97-02941A	ASSY-BRAKE-PULLEY;-,DD-3,-	
S314	AD97-02942A	ASSY-BRAKE-S;-,DD-3,-	
S315	AD97-02943A	ASSY-COVEER-REEL;-,DD-3,-	

MEMO