
5. Exploded View and Parts List

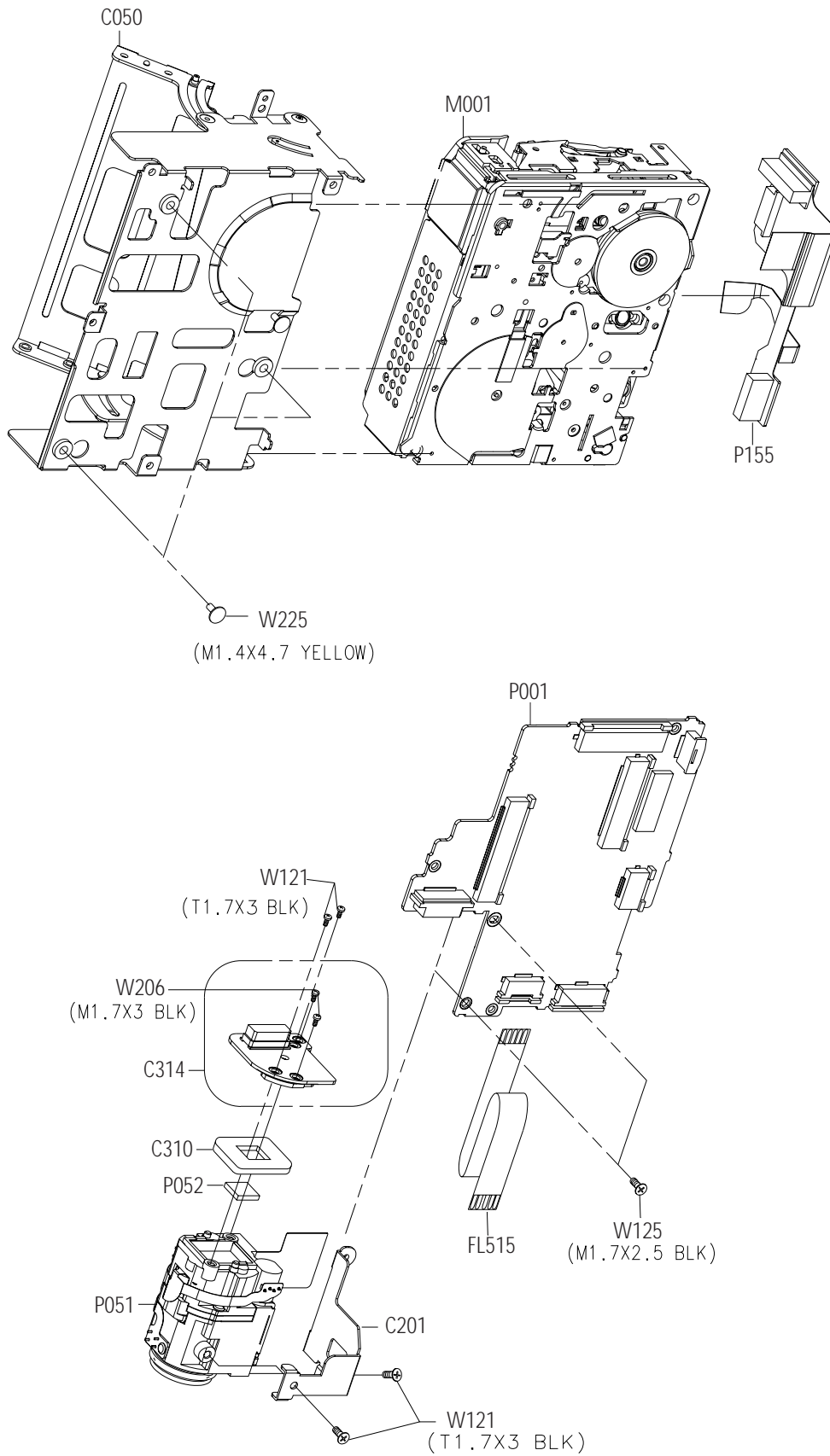
	Page
5-1 Ass'y Chassis - - - - -	5-2
5-2 Ass'y Left - - - - -	5-4
5-3 Ass'y LCD - - - - -	5-6
5-4 Ass'y Right - - - - -	5-8
5-5 Ass'y Rear - - - - -	5-10
5-6 Ass'y CVF - - - - -	5-12
5-7 Ass'y Case Left - - - - -	5-13
5-8 Ass'y Front - - - - -	5-14
5-9 Ass'y Housing - - - - -	5-15
5-10 Mechanical Parts (Main Chassis) - - - - -	5-16
5-11 Mechanical Parts (Sub Chassis) - - - - -	5-18

Notice

If you want to know additional information which is not included on this Service Manual, please refer to the SKP(Samsung Knowledge Portal) web site.

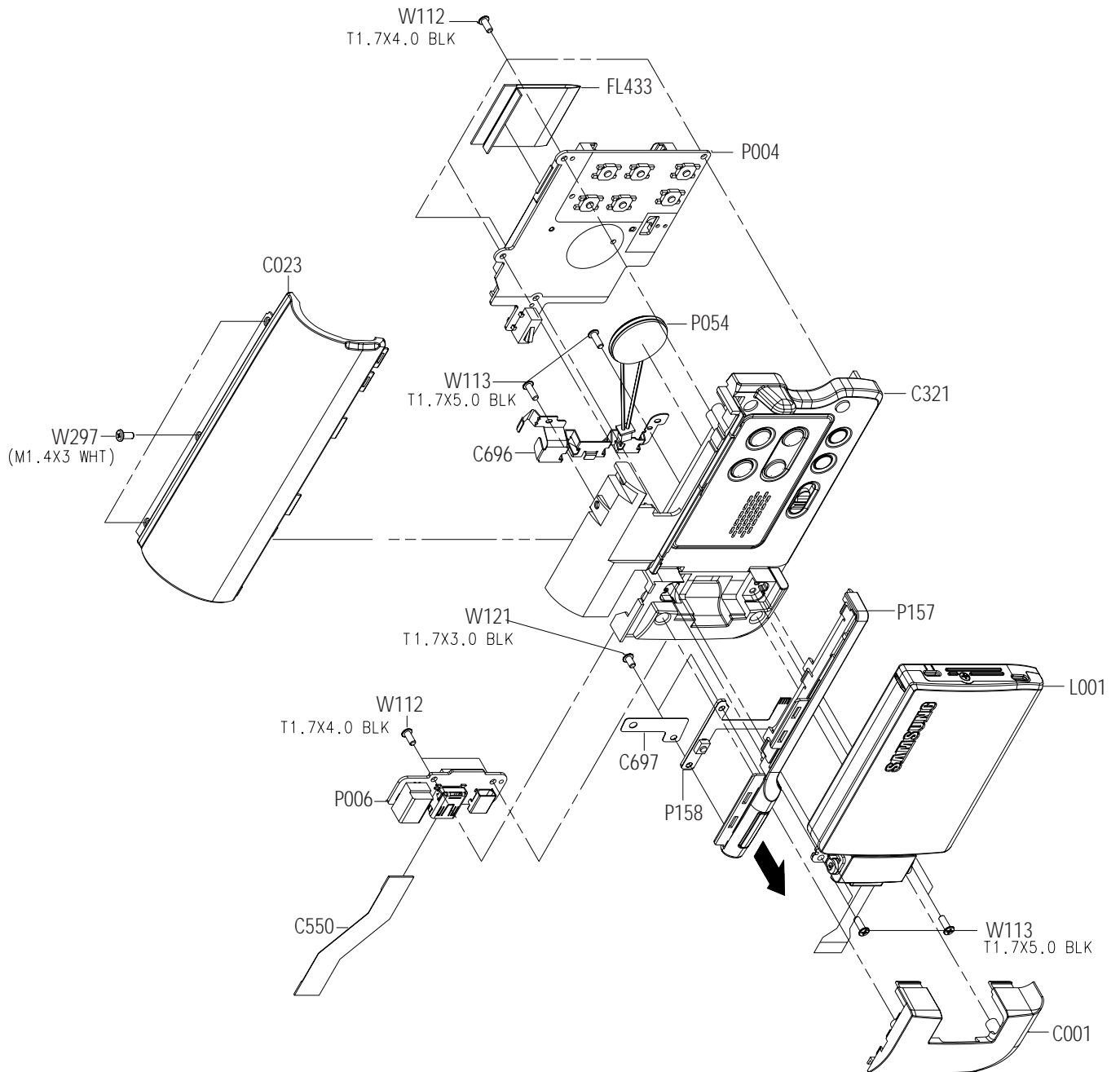
URL ; <http://europe.samsungportal.com/>

5-1 Ass'y Chassis



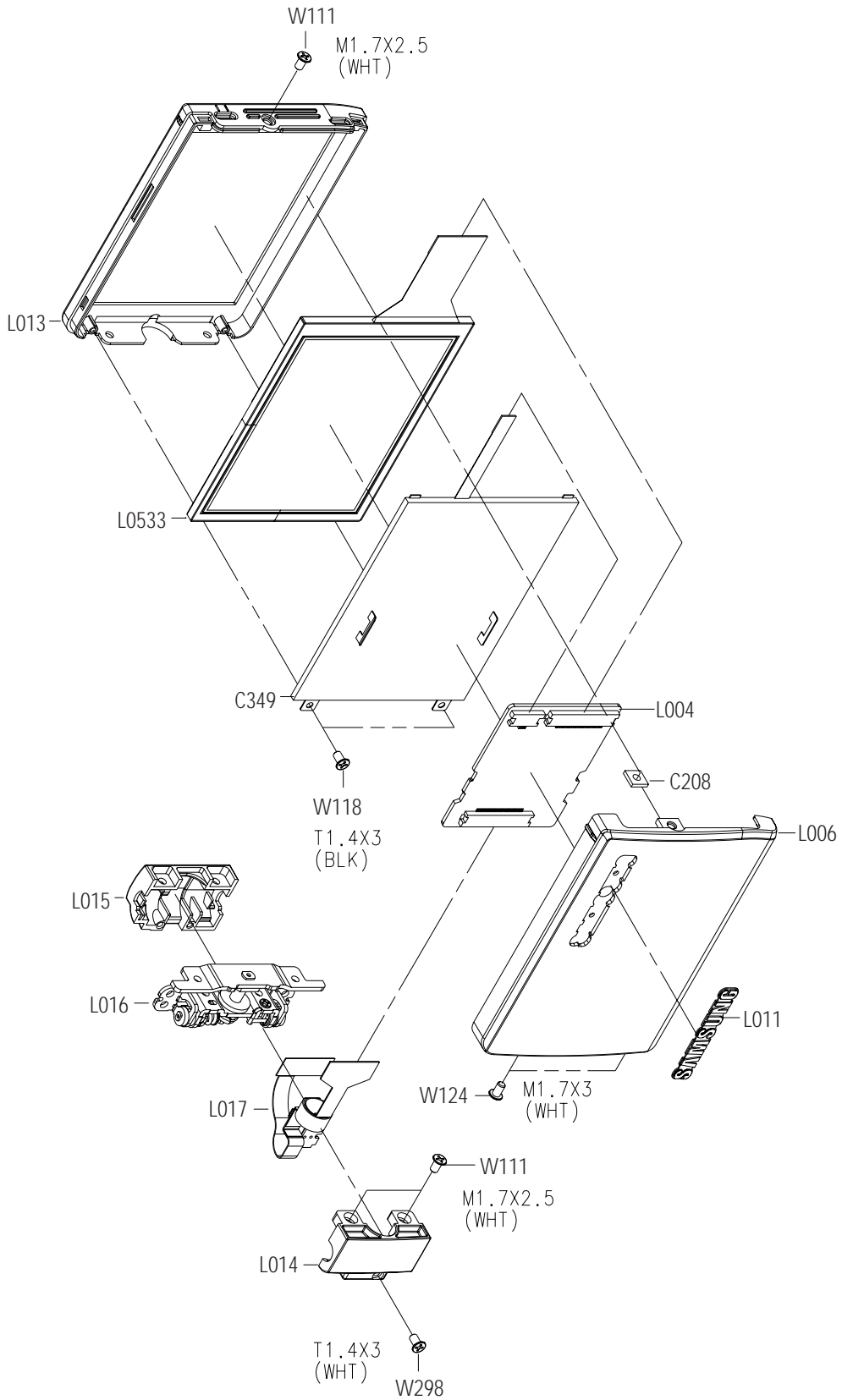
Loc. No	Parts No.	Description ; Specification	Q'ty	S.N.A	Remark
C050	AD97-09712B	ASSY-CHASSIS DECK;ASSY,TIGER-PJ,-	1	SA	
C201	AD61-02011A	BRACKET-LENS;TIGER-PJ,SUS301 1/2H,T0.5,W	1	SA	
C310	AD73-00134A	RUBBER-CCD;SIPDER,SILICON,-,60,-,BLK,-,-	1	SA	
C314	AD97-09649A	ASSY-CCD;- ,TIGER,PAL,CCD, PAL	1	SA	
FL515	3809-001654	FFC CABLE-FLAT;30V,80C,50mm,10P,0.5mm,UL	1	SA	
M001	AD97-07910A	ASSY-DECK;- ,DD-4,ASSY	1	SA	
P001	AD97-09590F	ASSY-MAIN BOARD;TIGER-PJ,VP-D451/XEG,PAL	1	SA	VP-D451 Only
	AD97-09590T	ASSY-MAIN BOARD;TIGER-PJ,VP-D451I/XEV,PA	1	SA	VP-D451I Only
	AD97-09590H	ASSY-MAIN BOARD;TIGER-PJ,VP-D453/XEG,PAL	1	SA	VP-D453 Only
	AD97-09590P	ASSY-MAIN BOARD;TIGER-PJ,VP-D453I/CHN,PA	1	SA	VP-D453I Only
	AD97-09590J	ASSY-MAIN BOARD;TIGER-PJ,VP-D454/XEG,PAL	1	SA	VP-D454 Only
	AD97-10243E	ASSY-MAIN BOARD;TIGER-PJ,VP-D454I/XEV,PA	1	SA	VP-D454I Only
	AD97-09590L	ASSY-MAIN BOARD;TIGER-PJ,VP-D455/XEG,PAL	1	SA	VP-D455 Only
	AD97-09590B	ASSY-MAIN BOARD;TIGER-PJ,VP-D455I/XEV,PA	1	SA	VP-D455I Only
	AD97-09590W	ASSY-MAIN BOARD;TIGER-PJ,VP-D6620I/HAC,P	1	SA	VP-D6620I Only
AD97-09590X	ASSY-MAIN BOARD;TIGER-PJ,VP-D6650I/HAC,P	1	SA	VP-D6650I Only	
P051	AD97-09378A	ASSY-LENS ZOOM;PC,SSCL,##### 10X	1	SA	
P052	AD29-00031A	FILTER-OLPF;- ,SSCL,-,-,4.5*3.4*1.60,-,TR	1	SA	
P155	AD97-08613A	ASSY-THETA2 DECK FPC;ASSY FPC,THETA2-PJ,	1	SA	
W121	6002-001132	SCREW-TAPPING;BH,T0.5,+ ,2,M1.7,L3.0,BLK,	4	SA	
W125	6001-001385	SCREW-MACHINE;CH,+ ,M1.7,L2.5,ZPC(BLK),SW	2	SA	
W206	6001-001373	SCREW-MACHINE;PH,T0.5,+ ,M1.7,L3.0,BLK,SW	2	SA	
W225	6009-001410	SCREW-SPECIAL;CH,+,- ,M1.4,L4.7(2.5),ZPC(3	SA	

5-2 Ass'y Left



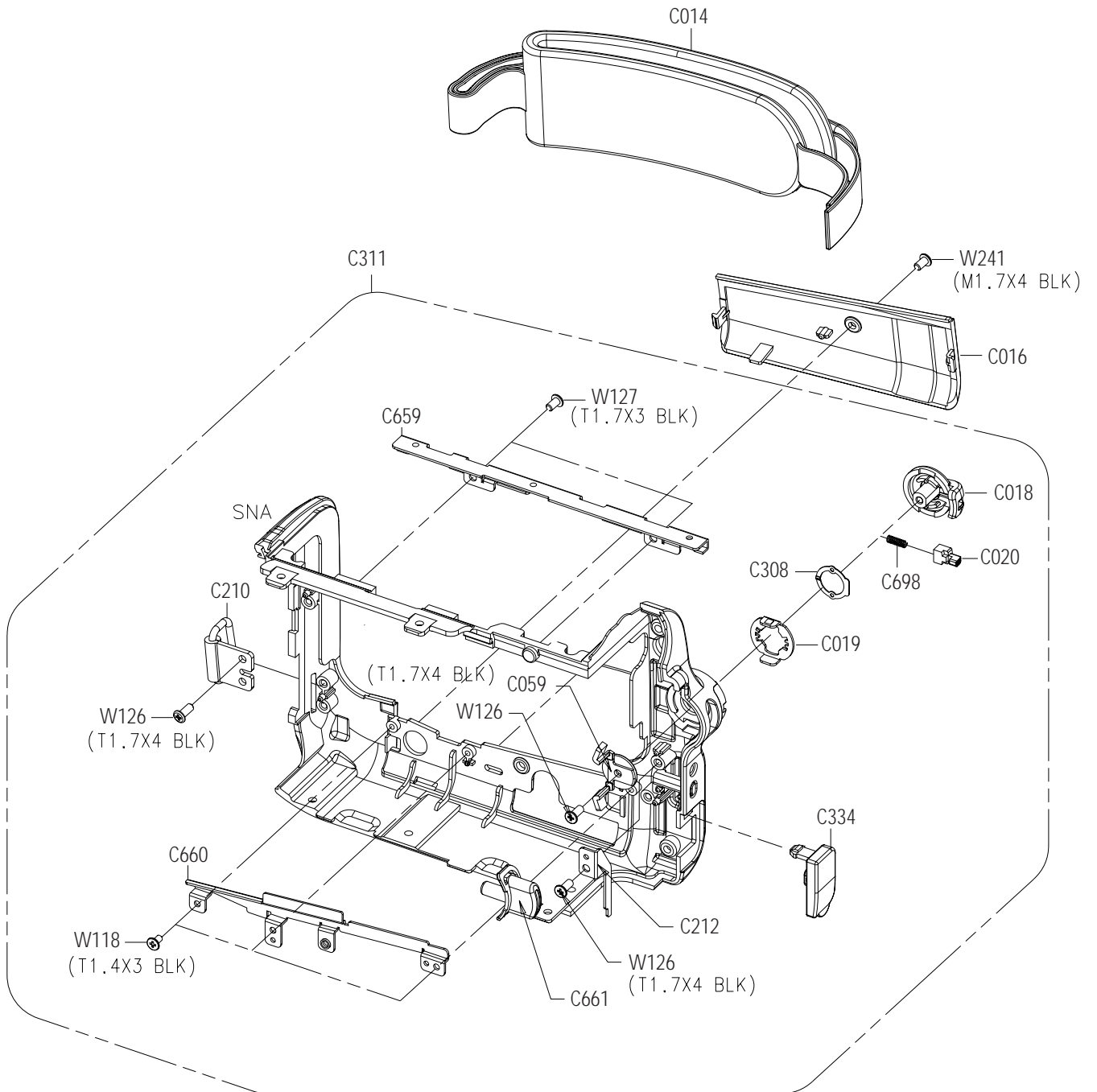
Loc. No	Parts No.	Description ; Specification	Q'ty	S.N.A	Remark
C001	AD63-00738A	COVER-LEFT;TIGER-PJ,ABS94HB,T1.0,W26,L44	1	SA	
C023	AD61-01581A	CASE-TOP;AA-E8,ABS,T1.2,54.5,80,D/GRAY,	1	SA	
C321	AD97-10049C	ASSY-UNIT LEFT;ASSY,TIGER-PJ,MEMORY X	1	SA	VP-D451(I) Only
	AD97-10049A	ASSY-UNIT LEFT;ASSY,TIGER-PJ,-	1	SA	Other models Only
C550	AD41-00682A	FPC-JACK;TIGER-PJ,REV.00,POLYESTER,18P,	1	SA	
C696	AD61-02202A	BRACKET-GROUND JACK;TIGER,C5210R-H,T0.3,	1	SA	
C697	AD61-02217A	PLATE-GROUND LEFT;TIGER-PJ,C5210R-H,T0.2	1	SA	
FL512	3809-001655	FFC CABLE-FLAT;30V,80C,40mm,36P,0.5mm,UL	1	SA	
L001	AD97-09697A	ASSY-LCD;ASSY,VP-D451,TIGER-PJ	1	SA	VP-D451 Only
	AD97-09697B	ASSY-LCD;ASSY,VP-D451i,PAL	1	SA	VP-D451I Only
	AD97-09697C	ASSY-LCD;ASSY,VP-D453,PAL	1	SA	VP-D453 Only
	AD97-09697D	ASSY-LCD;ASSY,VP-D453i,PAL	1	SA	VP-D453I Only
	AD97-09697E	ASSY-LCD;ASSY,VP-D454,PAL	1	SA	VP-D454 Only
	AD97-09697G	ASSY-LCD;ASSY,VP-D455,PAL	1	SA	VP-D455 Only
	AD97-09697H	ASSY-LCD;ASSY,VP-D455i,PAL	1	SA	VP-D455I Only
	AD97-09697F	ASSY-LCD;ASSY,VP-D454i,PAL	1	SA	VP-D454I Only
	AD97-09697P	ASSY-LCD;ASSY,VP-D6620i/HAC,VP-D453i-BA	1	SA	VP-D6620I Only
	AD97-09697Q	ASSY-LCD;ASSY,VP-D6650i/HAC,VP-D455i-BA	1	SA	VP-D6650I Only
P004	AD97-09593A	ASSY-FUNCTION BOARD;TIGER-PJ,SC-D455/XAA	1	SA	VP-D454(I)/D455(I)/D6650I Only
	AD97-09593B	ASSY-FUNCTION BOARD;TIGER-PJ,SC-D453/XAA	1	SA	VP-D453(I)/D6620I Only
	AD97-09593C	ASSY-FUNCTION BOARD;TIGER-PJ,VP-D451,PAL	1	SA	VP-D451(I) Only
P006	AD97-09596B	ASSY-JACK BOARD;TIGER-PJ,VP-D451/XEG,USB	1	SA	VP-D451(I) Only
	AD97-09596A	ASSY-JACK BOARD;TIGER-PJ,SC-D455/XAA,NTS	1	SA	Other models Only
P054	AD97-04289A	ASSY-SPEAKER;- ,D5-PJ,G-17S08-0823	1	SA	
P157	AD97-09696A	ASSY-DUMMY LEFT;ASSY,TIGER-PJ,-	1	SA	
P158	AD97-09724A	ASSY-EASY FPC;- ,TIGER,ASSY EASY FPC	1	SA	
W112	6003-001453	SCREW-TAPTITE;BH,+ ,B,M1.7,L4,ZPC(BLK)	6	SA	
W113	6002-001085	SCREW-TAPPING;CH,+ ,2,M1.7,L5,ZPC(BLK),SW	6	SA	
W121	6002-001132	SCREW-TAPPING;BH,T0.5,+ ,2,M1.7,L3.0,BLK,	2	SA	
W297	6001-001545	SCREW-MACHINE;PH,+ ,-,M1.4,L3.0,ZPC(WHT),	3	SA	

5-3 Ass'y LCD



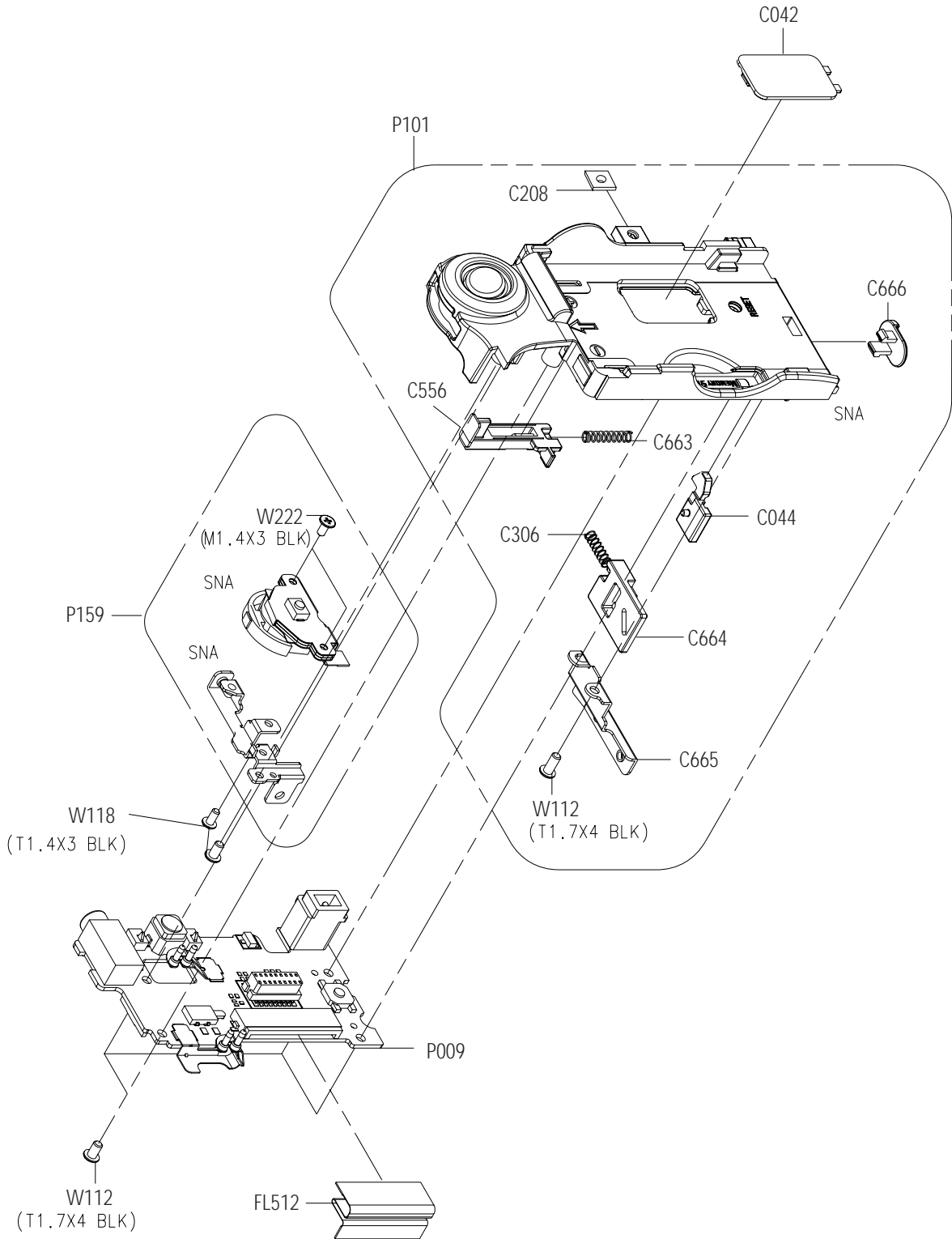
Loc. No	Parts No.	Description ; Specification	Q'ty	S.N.A	Remark
C208	AD61-12033A	BRACKET-NUT;SV-D10,SECC,-,-,-,-,T0.8	1	SA	
C349	AD97-09517A	ASSY-LED BL;- ,THETA4-PJ,Stanley LED BL	1	SA	
L004	AD97-09591A	ASSY-LCD BOARD;TIGER-PJ,SC-D455/XAA,NTSC	1	SA	
L006	AD61-02028A	CASE-LCD TOP;TIGER-PJ,ABS94HB,T1.5,W46.5	1	SA	VP-D451 Only
	AD61-02028B	CASE-LCD TOP;VP-D451i,ABS94HB,T1.5,W46.5	1	SA	VP-D451I Only
	AD61-02028C	CASE-LCD TOP;VP-D453,ABS94HB,T1.5,W46.5,	1	SA	VP-D453 Only
	AD61-02028D	CASE-LCD TOP;VP-D453i,ABS94HB,T1.5,W46.5	1	SA	VP-D453I Only
	AD61-02028E	CASE-LCD TOP;VP-D454,ABS94HB,T1.5,W46.5,	1	SA	VP-D454 Only
	AD61-02028F	CASE-LCD TOP;VP-D454i,ABS94HB,T1.5,W46.5	1	SA	VP-D454I Only
	AD61-02028G	CASE-LCD TOP;VP-D455,ABS94HB,T1.5,W46.5,	1	SA	VP-D455 Only
	AD61-02028H	CASE-LCD TOP;VP-D455i,ABS94HB,T1.5,W46.5	1	SA	VP-D455I Only
	AD61-02028P	CASE-LCD TOP;VP-D6620i,ABS94HB,T1.5,W46.	1	SA	VP-D6620I Only
AD61-02028Q	CASE-LCD TOP;VP-D6650i,ABS94HB,T1.5,W46.	1	SA	VP-D6650I Only	
L011	AD64-01200A	BADGE-SAMSUNG;THETA2-PJ,AL,T1,W4.5,L26.3	1	SA	
L013	AD61-02029A	CASE-LCD BOTTOM;TIGER-PJ,ABS94HB,T1.5,W4	1	SA	
L014	AD63-00732A	COVER-HINGE TOP;TIGER-PJ,ABS94HB,T1.0,W6	1	SA	
L015	AD63-00733A	COVER-HINGE BOTTOM;TIGER-PJ,ABS94HB,T1.0	1	SA	
L016	AD97-09662A	ASSY-HINGE;ASSY,TIGER-PJ,-	4	SA	
L017	AD97-09723A	ASSY-LCD FPC;- ,TIGER,ASSY LCD FPC	2	SA	
L0533	AD07-00046A	LCD;- ,THETA4-PJ,- ,58.36*46.46*2.1,	2	SA	
W111	6001-001510	SCREW-MACHINE;CH,+,- ,M1.7,L2.5,NI PLT,SW	3	SA	
W118	6003-001291	SCREW-TAPTITE;CH,+ ,B,M1.4,L3.0,ZPC(BLK),	2	SA	
W124	6001-001526	SCREW-MACHINE;CH(0.3),+ ,M1.7,L3.0,NI PLT	2	SA	
W296	6003-001479	SCREW-TAPTITE;BH,+ ,B,M1.7,L4,ZN	1	SA	

5-4 Ass'y Right



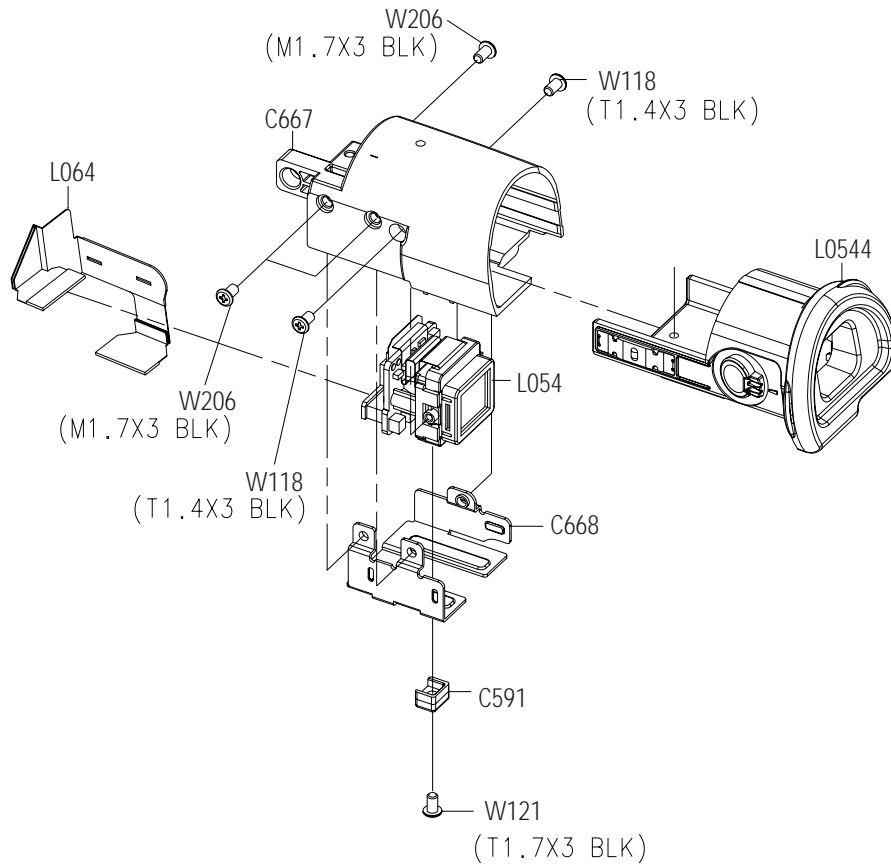
Loc. No	Parts No.	Description ; Specification	Q"ty	S.N.A	Remark
C014	AD59-00139A	UNIT-BELT GRIP;DRAGON-PJ,-,LEATHER,-,-,-	1	SA	
C016	AD63-00737A	COVER-JIG RIGHT;TIGER-PJ,ABS94HB,T1.0,W2	1	SA	
C018	AD64-01355A	KNOB-POWER;TIGER-PJ,ABS94HB,T1.0,W11.9,L	1	SA	
C019	AD61-02044A	PLATE-POWER;TIGER-PJ,SUS301 1/2H,T0.5,W1	1	SA	
C020	AD64-01341A	LOCKER-POWER;TIGER-PJ,POM,GREEN,-,-,-	1	SA	
C059	AD61-02039A	HOLDER-POWER;TIGER-PJ,POM,T1.0,W8.2,L16.	1	SA	
C210	AD61-02018A	BRACKET-GRIP FRONT;TIGER-PJ,SUS304 1/2H,	1	SA	
C212	AD61-02015A	BRACKET-GRIP BACK;TIGER-PJ,SUS301 1/2H,T	1	SA	
C308	AD61-02047A	PLATE-SPRING POWER;TIGER-PJ,SUS301 1/2H,	1	SA	
C311	AD97-10048A	ASSY-UNIT RIGHT;ASSY,TIGER-PJ,-	1	SA	
C334	AD63-00739A	COVER-DC JACK;TIGER-PJ,ABS94HB,T1.0,W7.1	1	SA	
C659	AD61-02017A	BRACKET-RIGHT A;TIGER-PJ,SUS301 1/2H,T0.	1	SA	
C660	AD61-02016A	BRACKET-RIGHT B;TIGER-PJ,SUS301 1/2H,T0.	1	SA	
C661	AD64-01348A	BUTTON-S/STOP;TIGER-PJ,ABS 94HB,W7*H9.6*	1	SA	
C698	AD61-01494A	SPRING ETC-LOCKER POWER;RAPIDO-PJ,STS SW	1	SA	
W118	6003-001291	SCREW-TAPTITE;CH,+,B,M1.4,L3.0,ZPC(BLK),	1	SA	
W126	6003-001300	SCREW-TAPTITE;CH,+,B,M1.7,L4,ZPC(BLK),SW	1	SA	
W127	6003-001292	SCREW-TAPTITE;CH(0.3),+,B,M1.7,L3,ZPC(BL	1	SA	
W241	6001-001291	SCREW-MACHINE;CH(0.5),*,-,M1.7,L4,ZPC(BL	1	SA	

5-5 Ass'y Rear



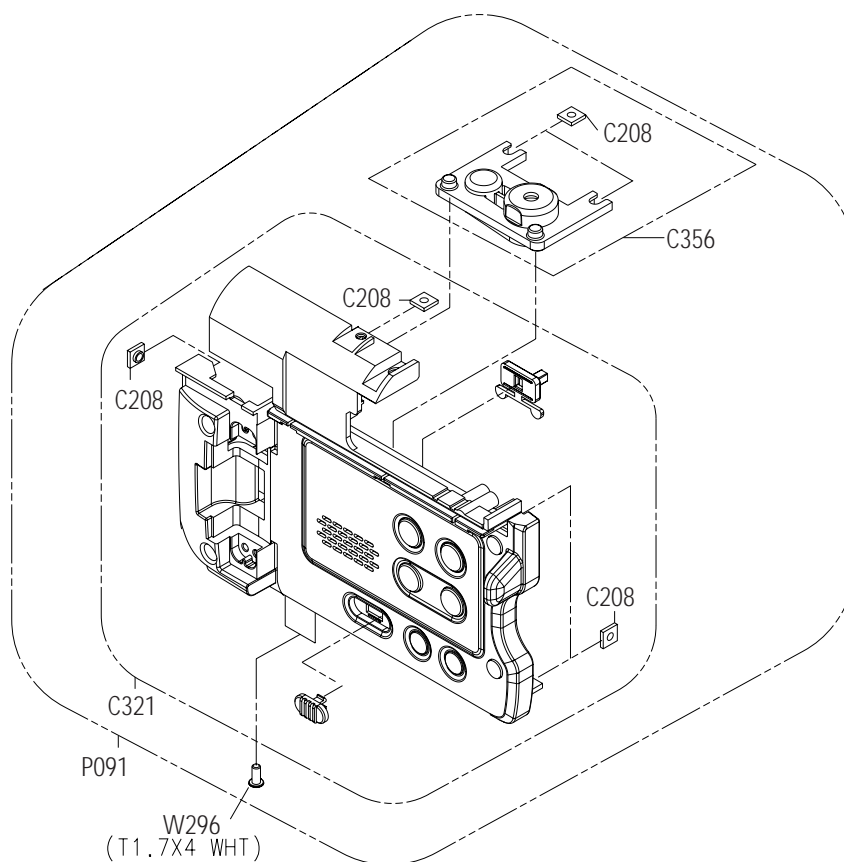
Loc. No	Parts No.	Description ; Specification	Q'ty	S.N.A	Remark
C042	AD63-00730A	COVER-JIG;TIGER-PJ,ABS94HB,T1.0,W11,L20,	1	SA	
C044	AD64-01352A	KNOB-BATTERY EJECT;TIGER-PJ,ABS94HB,T1.0	1	SA	
C208	AD61-12033A	BRACKET-NUT;SV-D10,SECC,-,-,-,T0.8	1	SA	
C306	AD61-02111A	SPRING ETC-BATTERY EJECT;TIGER-PJ,STS-30	1	SA	
C556	AD64-01351A	KNOB-DETECT;TIGER-PJ,POM,T1.0,W20,L9,-,L	1	SA	
C663	AD61-02110A	SPRING ETC-KNOB DETECTION;TIGER-PJ,STS-3	1	SA	
C664	AD61-02030A	HOLDER-BATTERY RELEASE;TIGER-PJ,ABS94HB,	1	SA	
C665	AD61-02014A	BRACKET-BATTERY RELEASE;TIGER-PJ,SUS301	1	SA	
C666	AD64-01353A	KNOB-BATTERY RELEASE;TIGER-PJ,ABS94HB,T1	1	SA	
FL512	3809-001655	FFC CABLE-FLAT;30V,80C,40mm,36P,0.5mm,UL	1	SA	
P009	AD97-09594A	ASSY-REAR BOARD;TIGER-PJ,SC-D455/XAA,NTS	1	SA	
P101	AD97-09699D	ASSY-CASE REAR;ASSY,TIGER-PJ,MEMORY X	1	SA	VP-D451(I) Only
	AD97-09699C	ASSY-CASE REAR;ASSY,TIGER-PJ,MS CARD	1	SA	VP-D453(I)/D6620I Only
	AD97-09699A	ASSY-CASE REAR;ASSY,TIGER-PJ,MULTI	1	SA	VP-D454(I)/D455(I)/D6650I Only
P159	AD97-10144A	ASSY-MENU;ASSY,TIGER-PJ,-	1	SA	
W112	6003-001453	SCREW-TAPTITE;BH,+B,M1.7,L4,ZPC(BLK)	5	SA	
W118	6003-001291	SCREW-TAPTITE;CH,+B,M1.4,L3.0,ZPC(BLK),	2	SA	
W222	6001-001531	SCREW-MACHINE;CH(0.5),+,M1.4,L3.0,ZPC(BL	2	SA	

5-6 Ass'y CVF



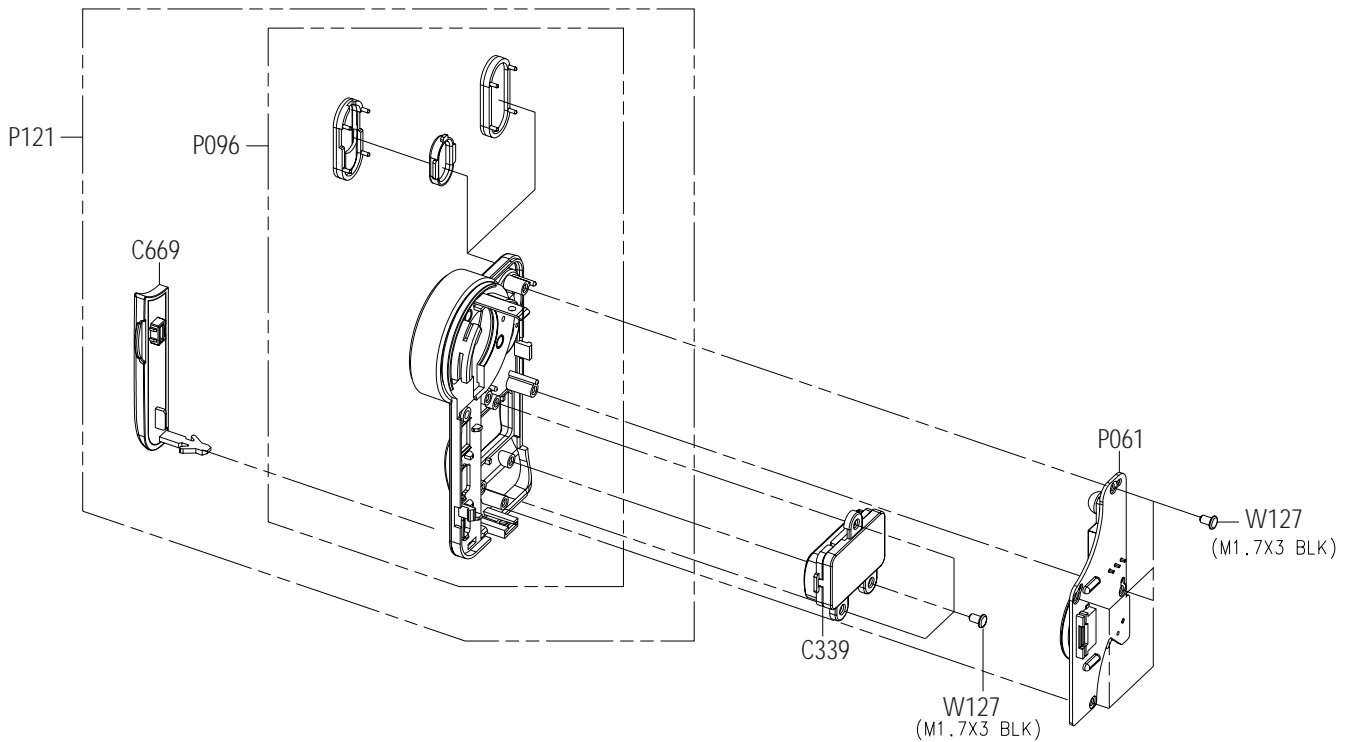
Loc. No	Parts No.	Description ; Specification	Q'ty	S.N.A	Remark
C591	AD64-01371A	LOCKER-CVF;TIGER-PJ,ABS94HB,BLACK,-,-,-	1	SA	
C667	AD61-02022A	CASE-CVF MAIN;TIGER-PJ,ABS94HB,T1.0,W22.	1	SA	
C668	AD61-02009A	BRACKET-CVF STOPPER;TIGER-PJ,SUS301 1/2H	1	SA	
L054	AD97-09846A	ASSY-UNIT-CVF;NTSC/PAL∞∅,TIGER-PJ,0.3	1	SA	
L0544	AD97-10050A	ASSY-UNIT CVF;ASSY,TIGER-PJ,-	1	SA	
L064	AD41-00683A	FPC-CVF;TIGER-PJ,REV.00,POLYESTER,20P,	1	SA	
W118	6003-001291	SCREW-TAPTITE;CH,+B,M1.4,L3.0,ZPC(BLK),	2	SA	
W121	6002-001132	SCREW-TAPPING;BH,T0.5,+2,M1.7,L3.0,BLK,	1	SA	
W206	6001-001373	SCREW-MACHINE;PH,T0.5,+M1.7,L3.0,BLK,SW	3	SA	

5-7 Ass'y Case Left



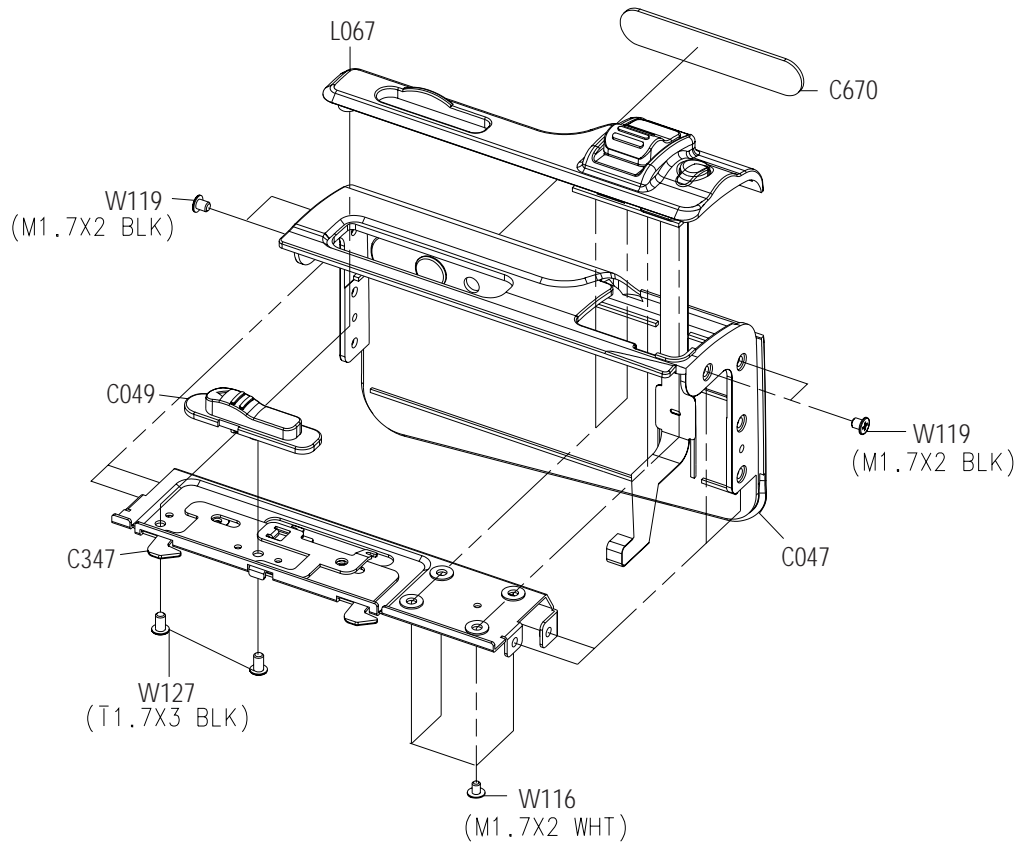
Loc. No	Parts No.	Description ; Specification	Q'ty	S.N.A	Remark
C208	AD61-12033A	BRACKET-NUT;SV-D10,SECC,-,-,-,T0.8	6	SA	
C321	AD97-10049C	ASSY-UNIT LEFT;ASSY,TIGER-PJ,MEMORY X	1	SA	VP-D451(I) Only
	AD97-10049A	ASSY-UNIT LEFT;ASSY,TIGER-PJ,-	1	SA	Other models Only
C356	AD97-09695A	ASSY-TRIPOD;ASSY,TIGER-PJ,-	1	SA	
P091	AD97-09715C	ASSY-CASE LEFT;ASSY,TIGER-PJ,MEMORY X	1	SA	VP-D451(I) Only
	AD97-09715A	ASSY-CASE LEFT;ASSY,TIGER-PJ,MULTI, EXP	1	SA	Other models Only
W296	6003-001479	SCREW-TAPTITE;BH,+ ,B,M1.7,L4,ZN	2	SA	

5-8 Ass'y Front



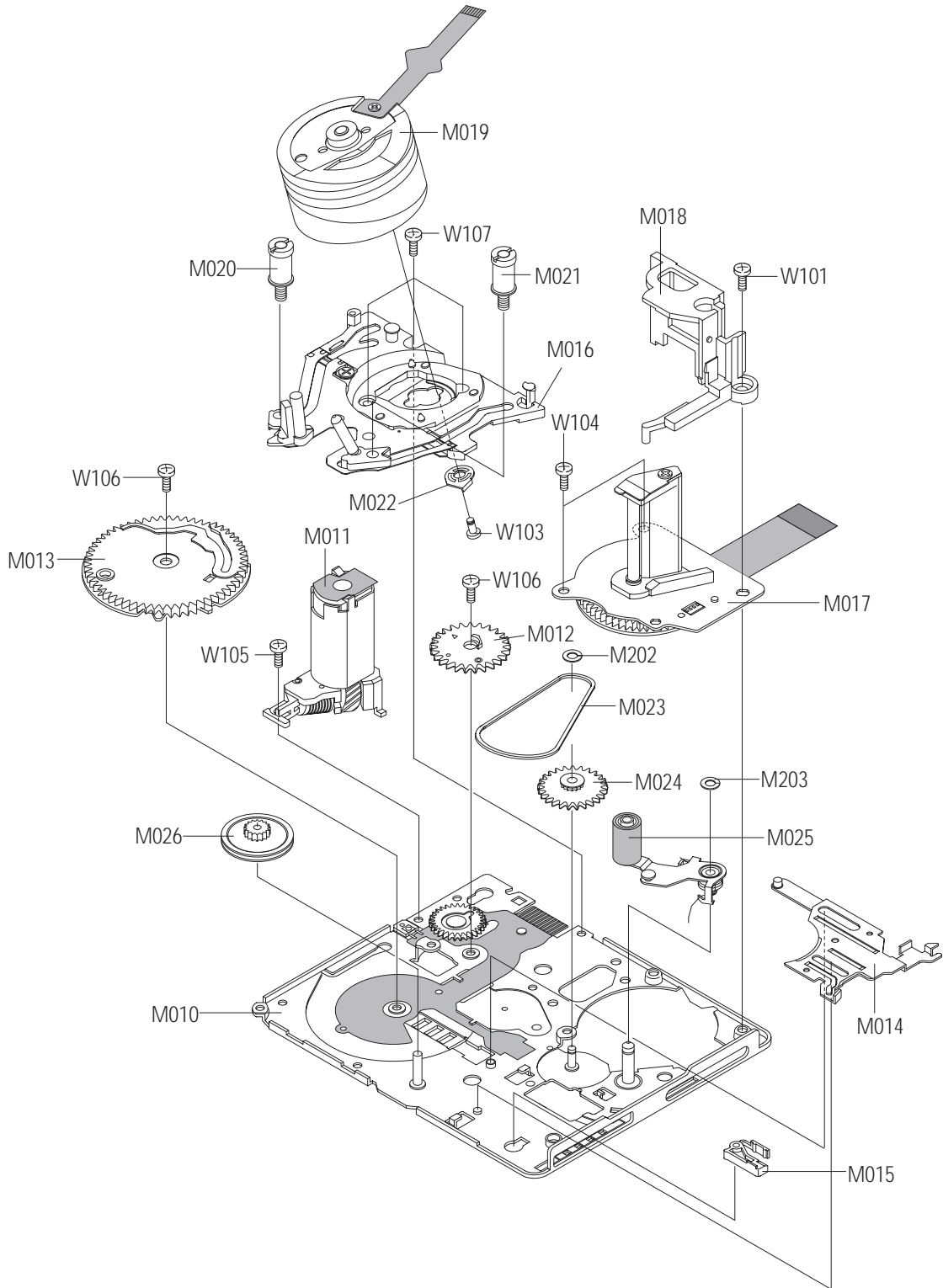
Loc. No	Parts No.	Description ; Specification	Q'ty	S.N.A	Remark
C339	AD97-09727A	ASSY-MIC;ASSY,TIGER-PJ,-	1	SA	
C669	AD63-00741A	COVER-JACK FRONT;TIGER-PJ,ABS94HB,T1.0,W	1	SA	
P061	AD97-09595B	ASSY-FRONT BOARD;TIGER-PJ,SC-D453/XAA,RM	1	SA	VP-D451(I) Only
	AD97-09595C	ASSY-FRONT BOARD;TIGER-PJ,SC-D457/XAA,NT	1	SA	Other models Only
P096	AD97-10047C	ASSY-UNIT FRONT;ASSY,TIGER-PJ,LIGHT X, U	1	SA	VP-D451(I) Only
	AD97-10047A	ASSY-UNIT FRONT;ASSY,TIGER-PJ,-	1	SA	Other models Only
P121	AD97-09713C	ASSY-CASE FRONT;ASSY,TIGER-PJ,LIGHT X, U	1	SA	VP-D451(I) Only
	AD97-09713A	ASSY-CASE FRONT;ASSY,TIGER-PJ,LIGHT O	1	SA	Other models Only
W127	6003-001292	SCREW-TAPTITE;CH(0.3),+,B,M1.7,L3,ZPC(BL	7	SA	

5-9 Ass'y Housing



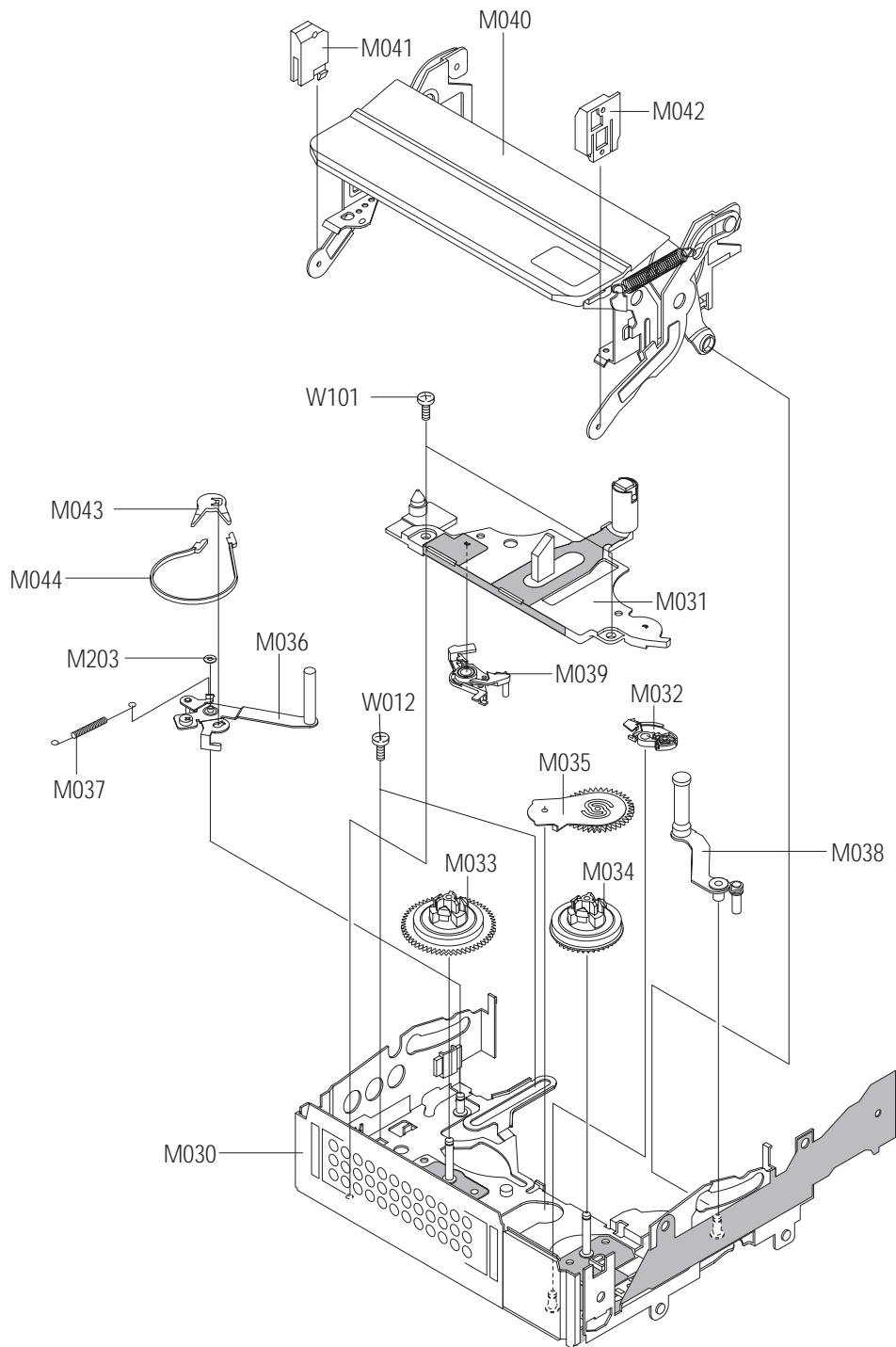
Loc. No	Parts No.	Description ; Specification	Q'ty	S.N.A	Remark
C047	AD63-00407A	COVER-HOUSING;DD-4,ABS94HB,-,-,-,-,BLA	1	SA	
C049	AD64-01356A	KNOB-TAPE EJECT;TIGER-PJ,ABS94HB,T1.0,W6	1	SA	
C347	AD97-09719A	ASSY-LINK HOUSING TOP;ASSY,TIGER-PJ,-	1	SA	
C670	AD64-01339C	INLAY-DECORATION;TIGER-PJ,PC,T1.0,W7,L32	1	SA	VP-D451(I) Only
	AD64-01339B	INLAY-DECORATION;TIGER-PJ,PC,T1.0,W7,L32	1	SA	VP-D453(I)/D6620I Only
	AD64-01339A	INLAY-DECORTION;TIGER-PJ,PC,T1.0,W7,L32,	1	SA	VP-D454(I)/D455(I)/D6650I Only
W116	6001-001527	SCREW-MACHINE;CH(0.3),+,M1.7,L2.0,NI PLT	4	SA	
W119	6001-001444	SCREW-MACHINE;PH,+,M1.7,L2.0,ZPC(BLK),SW	4	SA	
W127	6003-001292	SCREW-TAPTITE;CH(0.3),+,B,M1.7,L3,ZPC(BL	2	SA	

5-10 Mechanical Parts (Main Chassis)



Loc. No	Parts No.	Description ; Specification	Q'ty	S.N.A	Remark
M010	AD97-06414A	ASSY-MAIN CHASSIS;-DD-4,ASSY	1	SA	
M011	AD97-06389A	ASSY-LOADING-MOTOR;MOTOR+TEC,DD-4,ASSY	1	SA	
M012	AD66-00208A	GEAR-TENSION;DD-4,PBT3300,0.5,24,-,-,PCD	1	SA	
M013	AD97-07909A	ASSY-GEAR-CAM-MAIN;-DD-4,ASSY	1	SA	
M014	AD66-00212A	SLIDER-MAIN;DD-4,SUS430 CP,T0.4,-,-,NAT,	1	SA	
M015	AD66-00211A	LEVER-EJECT;DD-4,DURACON MS-02,-,-,-,-	1	SA	
M016	AD97-06399A	ASSY-DRUM BASE RAIL;-DD-4,-	1	SA	
M017	AD97-06398A	ASSY-CAPSTAN MOTOR;-DD-4,ASSY	1	SA	
M018	AD61-01164A	HOLDER-FPC SUB;DD-4,DURACON M90-44,-,-,-	1	SA	
M019	AD97-08248A	ASSY-DRUM;ASSY,DD-4,Alps Head Rapido	0.5	SA	
M019	AD97-08249A	ASSY-DRUM;ASSY,DD-4,Alps Head Rapido	0.5	SA	
M020	AD97-06176A	ASSY-GUIDE ROLLER;SUS+ETC,DD-4,-	1	SA	
M021	AD61-01483A	GUIDE-ROLLER;DD-4,POM,-,-,-,BLACK,MOLD T	1	SA	
M022	AD61-00558A	PLATE-S/P BASE;DD-3,SUS632 CSP ,T0.15,-,	1	SA	
M023	AD66-00221A	PULLEY-BELT TIMING;DD-4,POLYURETHAN,-,-,	1	SA	
M024	AD66-00069A	GEAR-CAPSTAN;DD-3,DYAMID,0.4,28,-,-,PCD	1	SA	
M025	AD97-06400A	ASSY-ARM-PINCH;-DD-4,ASSY	1	SA	
M026	AD66-00219A	GEAR-PULLEY;DD-4,DURACON M90-44,0.3,44,-	1	SA	
M202	6031-001417	WASHER-PLAIN;POLYSLIDE,-,ID0.8,D3.0,T0.2	1	SA	
M203	6031-001430	WASHER-PLAIN;POLYSLIDER,-,ID0.8,D2.5,T0.	1	SA	
W101	6001-001575	SCREW-MACHINE;PH,+,M1.4,L3.5,ZPC(WHT),SW	1	SA	
W103	6001-001591	SCREW-MACHINE;PH,+,M1.4,L4(1.5),ZPC(BLK)	1	SA	
W104	6001-001715	SCREW-MACHINE;BH,+,M1.4,L2.2,ZPC(BLK)	2	SA	
W105	6001-001590	SCREW-MACHINE;PH,+,M1.4,L2.2,ZPC(BLK),SW	1	SA	
W106	6009-001319	SCREW-SPECIAL;BH,+,-,M1.4,L2.6,ZPC(YEL),	2	SA	
W107	6001-001452	SCREW-MACHINE;BH,+,M1.4,L2.5,BLK,SWRCH18	3	SA	

5-11 Mechanical Parts (Sub Chassis)



Loc. No	Parts No.	Description ; Specification	Q'ty	S.N.A	Remark
M030	AD97-06412A	ASSY-SUB CHASSIS;ASSY,DD-4,-	1	SA	
M031	AD97-06404A	ASSY-COVER-REEL-BRAKE;- ,DD-4,-	1	SA	
M032	AD97-06390A	ASSY-BRAKE T;- ,DD-4,ASSY	1	SA	
M033	AD97-06395A	ASSY-REEL-DISK-S;ASSY,DD-4,-	1	SA	
M034	AD97-06396A	ASSY-REEL-DISK-T;ASSY,DD-4,-	1	SA	
M035	AD97-06397A	ASSY-IDLER;ASSY,DD-4,-	1	SA	
M036	AD97-06401A	ASSY-ARM-TENSION;- ,DD-4,ASSY	1	SA	
M037	AD61-01184A	SPRING ETC-TENSION;DD-4,SUS304-WPB,-,-,-	1	SA	
M038	AD97-06402A	ASSY-ARM-REVIEW;- ,DD-4,ASSY	1	SA	
M039	AD97-07213A	ASSY-BRAKE-SOFT-S;- ,DD-4,ASSY	1	SA	
M040	AD97-06394A	ASSY-HOUSING;SECC+ETC,DD-4,ASSY	1	SA	
M041	AD61-01194A	HOUSING-LOCK L;DD-4,DURACON M90-44DURACO	1	SA	
M042	AD61-01195A	HOUSING-LOCK R;DD-4,DURACON M90-44 DURA	1	SA	
M043	AD61-01159A	HOLDER-BAND;DD-4,DURACON M90-44,-,-,-,NA	1	SA	
M044	AD69-00425A	BAND-TENSION;DD-4,LUMIRROR,-,-,-,WHITE,-	1	SA	
M203	6031-001430	WASHER-PLAIN;POLYSLIDER,- ,ID0.8,D2.5,T0.	1	SA	
W101	6001-001575	SCREW-MACHINE;PH,+ ,M1.4,L3.5,ZPC(WHT),SW	2	SA	
W102	6009-001320	SCREW-SPECIAL;BH,+ ,M1.4,L1.7,ZPC(YEL),S	2	SA	

MEMO