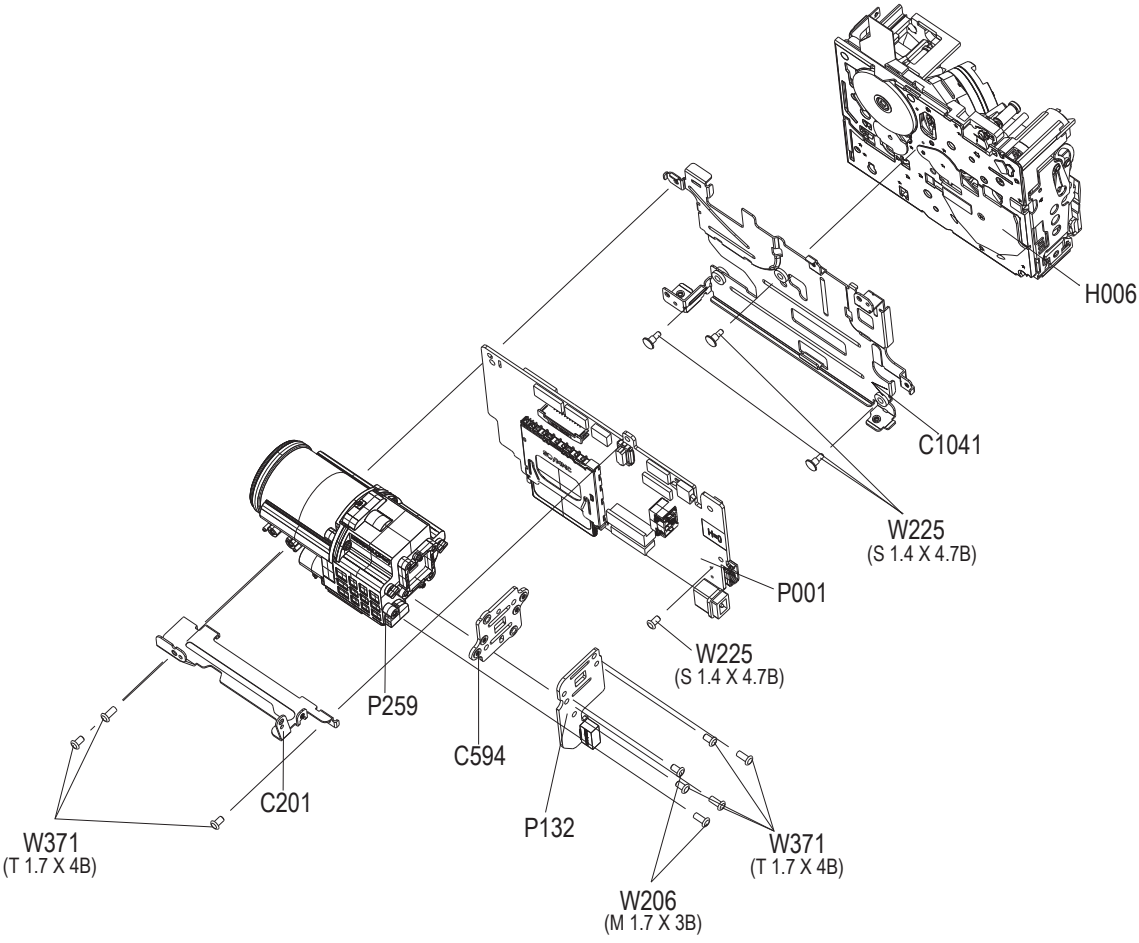

5. Exploded View and Parts List

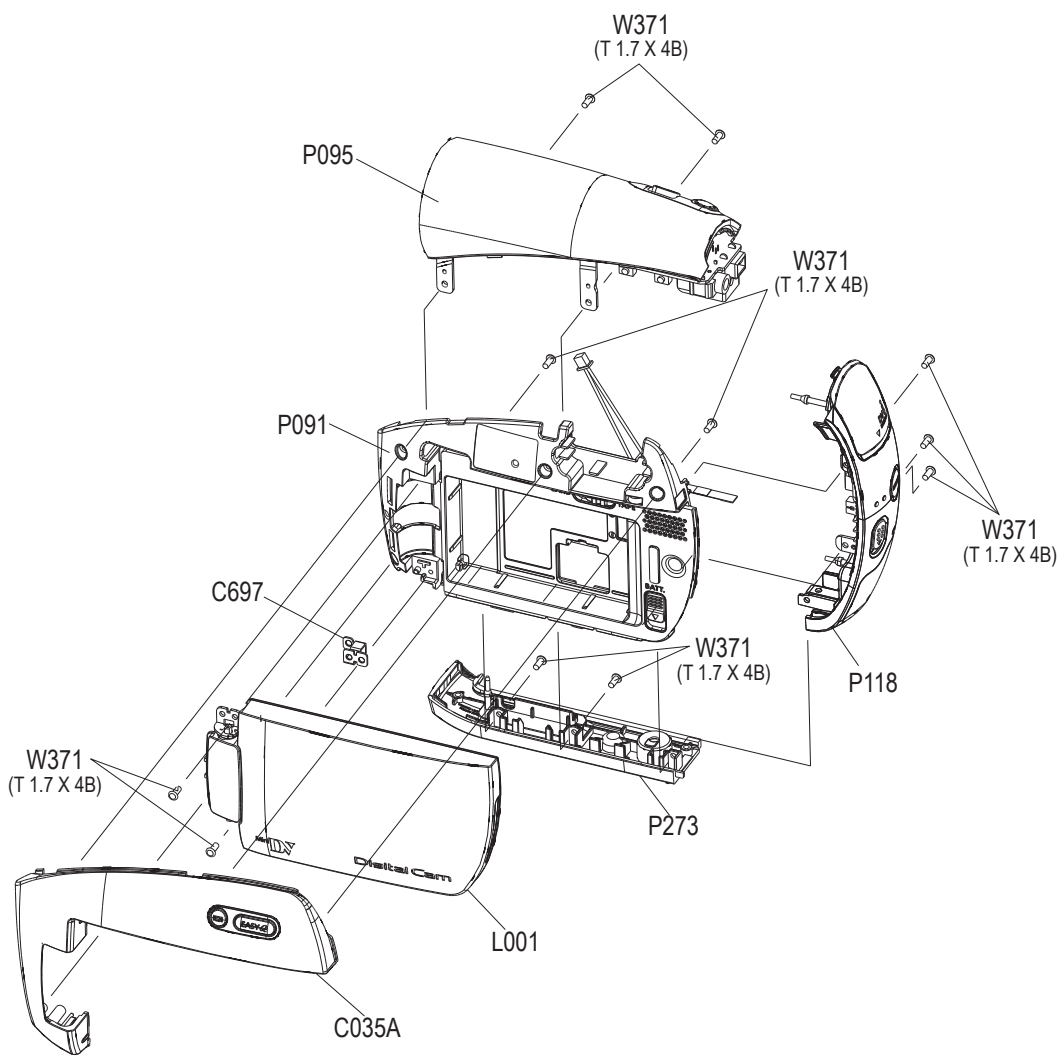
5-1 Ass'y Chassis	5-2
5-2 Ass'y Left	5-4
5-3 Ass'y Right	5-6
5-4 Ass'y LCD	5-8
5-5 Ass'y Case left	5-10
5-6 Ass'y Front	5-12
5-7 Ass'y Rear	5-13
5-8 Ass'y Top	5-14
5-9 Ass'y Bottom (VP-D385(i) only)	5-15
5-10 Mechanical Parts (Main Chassis)	5-16
5-11 Mechanical Parts (Sub Chassis)	5-18
5-12 Electrical Parts List	5-20

5-1 Ass'y Chassis



Loc. No	Parts No.	Description ; Specification	Q ty	SNA	Remark
C1041	AD61-03041A	ASSY-CHASSIS MAIN;ASSY,DRAGON4	1	SNA	
C201	AD61-03040A	BRACKET-LENS;DRAGON4-PJ,STS,T0	1	SA	
C594	AD61-02357A	PLATE-CCD;DRAGON2-PJ,AL,T1,W21	1	SA	
H006	AD97-12038A	ASSY-DECK;DD-4B,-,-	1	SA	
P001	AD92-00157D	ASSY PCB-MAIN BOARD;DRAGON4-PJ	1	SA	
P132	AD97-13250A	ASSY-CCD BOARD;DRAGON4-PJ,PAL,	1	SNA	
P259	AD97-12168A	ASSY-ZOOM LENS;ASSY,RAINBOW2-N	1	SA	
W206	6001-001373	SCREW-MACHINE;PH,T0.5,+,-,M1.7	2	SA	
W225	6009-001410	SCREW-SPECIAL;CH,+,-,M1.4,L4.7	4	SA	
W371	6003-001453	SCREW-TAPTITE;BH,+ ,B,M1.7,L4,Z	6	SA	

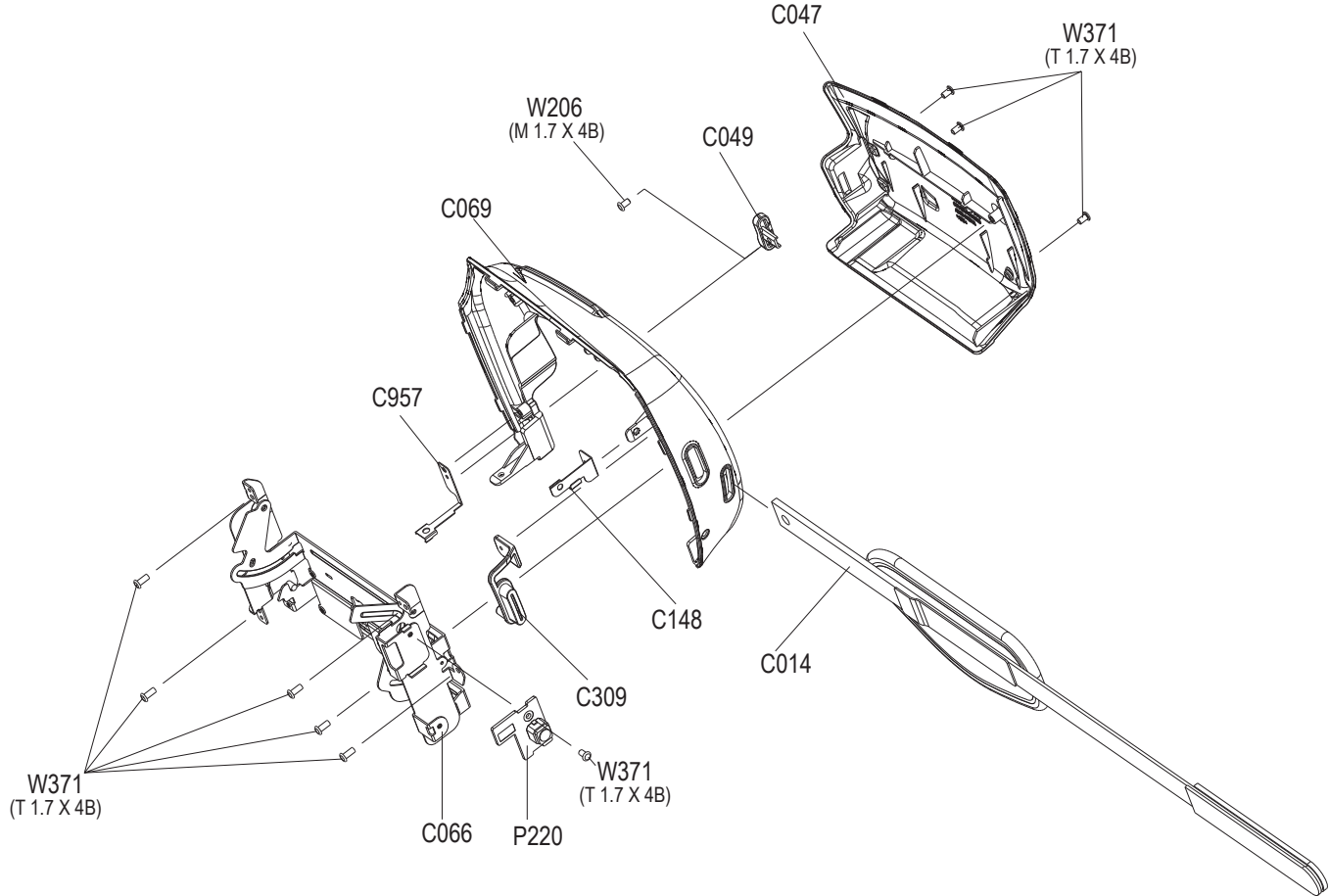
5-2 Ass'y Left



S.N.A : Service Not Available

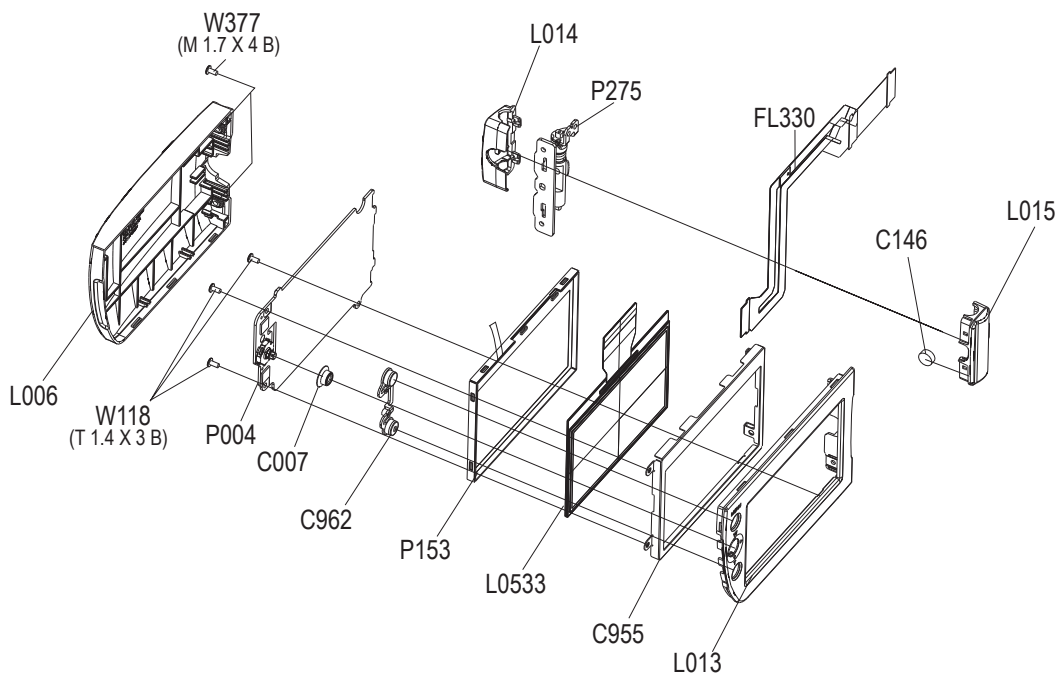
Loc. No	Parts No.	Description ; Specification	Q ty	SNA	Remark
C035A	AD97-13292A	ASSY-COVER LEFT;ASSY,DRAGON4-P	1	SA	
C697	AD61-03049A	PLATE-GROUND LEFT;DRAGON4-PJ,S	1	SA	
L001	AD97-13289D	ASSY-LCD;ASSY,DRAGON4-PJ,VP-D3	1	SNA	
P091	AD97-13288A	ASSY-CASE LEFT;ASSY,DRAGON4-PJ	1	SA	
P095	AD97-13294A	ASSY-TOP;ASSY,DRAGON4-PJ,SC-D3	1	SNA	
P118	AD97-13304A	ASSY-REAR;ASSY,DRAGON4-PJ,SC-D	1	SNA	
P273	AD97-13291A	ASSY-BOTTOM;ASSY,DRAGON4-PJ,SC	1	SA	
W371	6003-001453	SCREW-TAPTITE;BH,+,B,M1.7,L4,Z	11	SA	

5-3 Ass'y Right



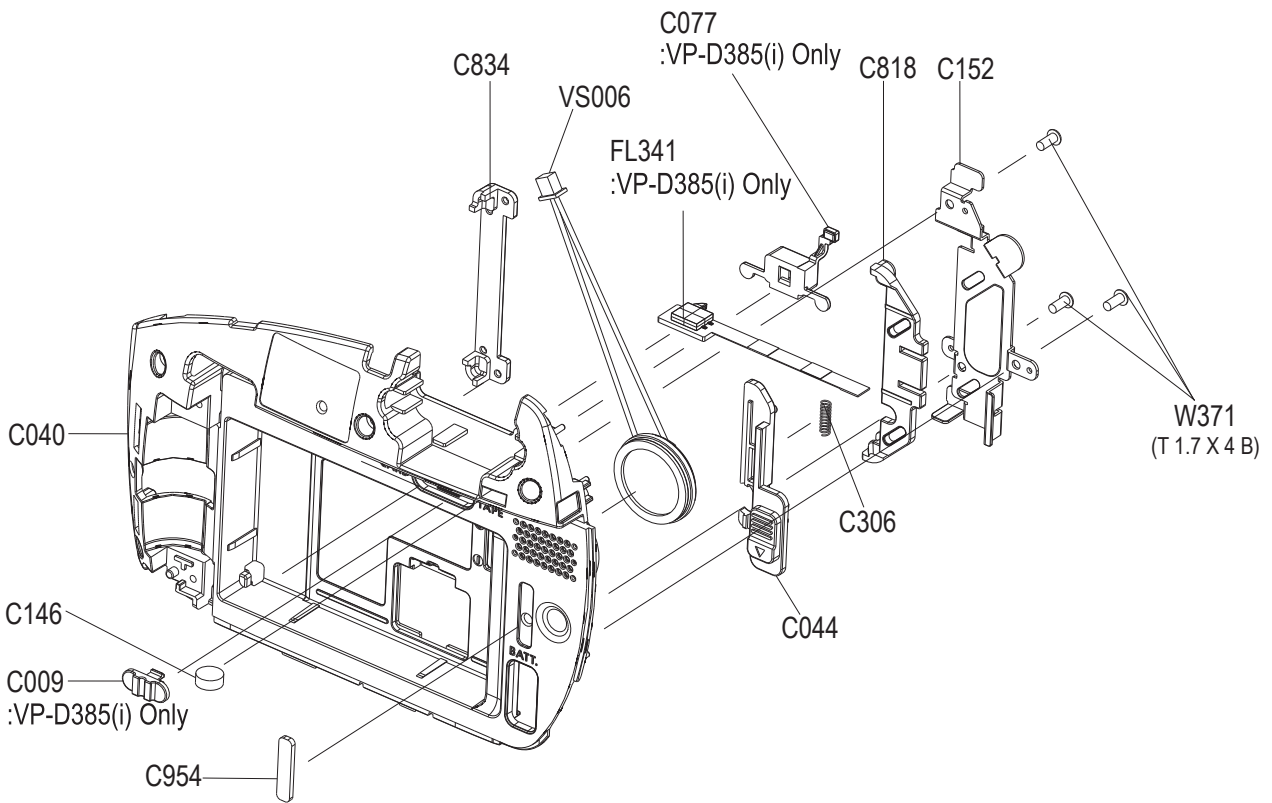
Loc. No	Parts No.	Description ; Specification	Q ty	SNA	Remark
C014	AD97-13306A	ASSY-BELT GRIP;ASSY,DRAGON4-PJ	1	SA	
C047	AD63-01201A	COVER-HOUSING;DRAGON4-PJ,ABS+P	1	SA	
C049	AD64-01703A	KNOB-TAPE EJECT;DRAGON4-PJ,ABS	1	SA	
C066	AD97-13302A	ASSY-LINK HOUSING;ASSY,DRAGON4	1	SA	
C069	AD61-03062A	CASE-RIGHT;DRAOGN4-PJ,ABS 94HB	1	SA	
C148	AD61-03048A	PLATE-GROUND REAR;DRAGON4-PJ,S	1	SA	
C309	AD64-01707A	BUTTON-RECORD;DRAGON4-PJ,ABS 9	1	SA	
C957	AD61-03047A	PLATE-GROUND RIGHT;DRAGON4-PJ,	1	SA	
P220	AD92-00160A	ASSY PCB-REC BOARD;SC-D385/XAA	1	SA	
W206	6001-001373	SCREW-MACHINE;PH,T0.5,+,-,M1.7	1	SA	
W371	6003-001453	SCREW-TAPTITE;BH,+ ,B,M1.7,L4,Z	9	SA	

5-4 Ass'y LCD



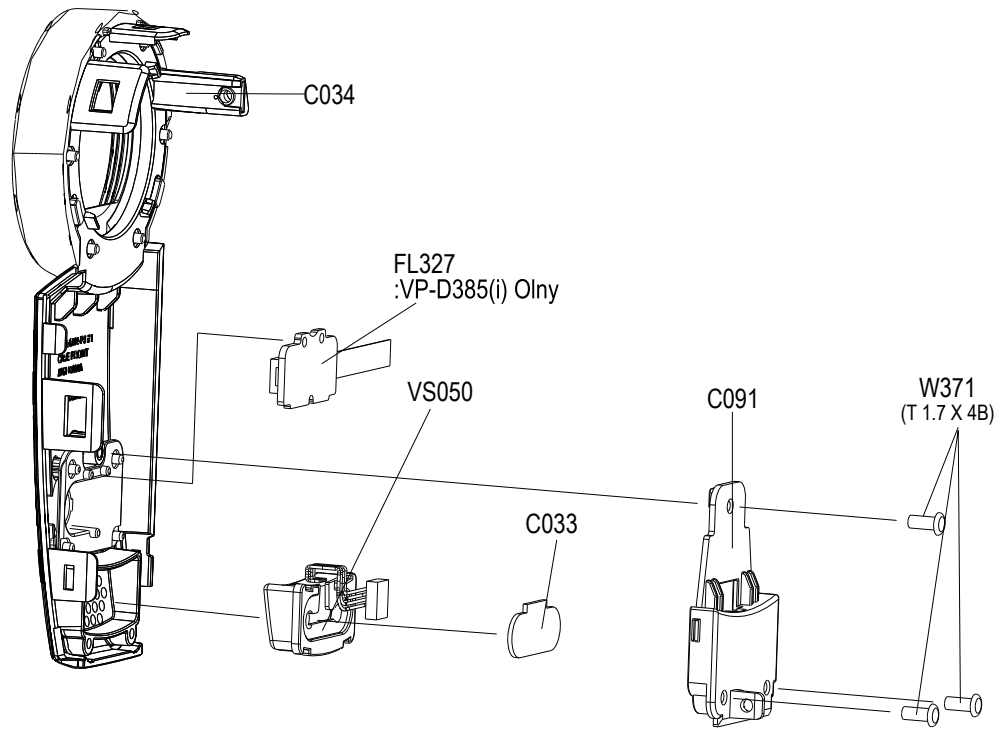
Loc. No	Parts No.	Description ; Specification	Q ty	SNA	Remark
C007	AD64-01715A	KNOB-JOY;DRAGON4-PJ,ABS 94HB +	1	SA	
C146	AD61-03112A	MAGNET-LEFT;DRAGON4-PJ,MAGNET,	1	SA	
C955	AD61-03051A	PLATE-GROUND DISPLAY;DRAGON4-P	1	SA	
C962	AD64-01709A	BUTTON-DISPLAY LCD;DRAGON4-PJ,	1	SA	
FL330	AD41-00954A	FPC-LCD;VP-D381,00,POLYESTER,2	1	SA	
L006	AD61-03065A	CASE-LCD TOP;DRAOGN4-PJ,ABS 94	1	SA	
L013	AD61-03064A	CASE-LCD BOTTOM;DRAOGN4-PJ,ABS	1	SA	
L014	AD63-01212A	COVER-HINGE TOP;DRAGON4-PJ,ABS	1	SA	
L015	AD63-01213A	COVER-HINGE BOTTOM;DRAGON4-PJ,	1	SA	
L0533	AD07-00063A	LCD-PANEL;A027CW01,DRAGON3-PJ,	1	SA	
P004	AD92-00158A	ASSY PCB-LCD BOARD;SC-D385/XAA	1	SA	
P153	AD97-11959A	ASSY-LED BL;RAYGEN ASSY-LED BL	1	SA	
P275	AD97-13301A	ASSY-HINGE;ASSY,DRAGON4-PJ,SC-	1	SA	
W118	6003-001291	SCREW-TAPTITE;CH,+,B,M1.4,L3.0	3	SA	
W377	6001-001291	SCREW-MACHINE;CH(0.5),*,-,M1.7	2	SA	

5-5 Ass'y Case left



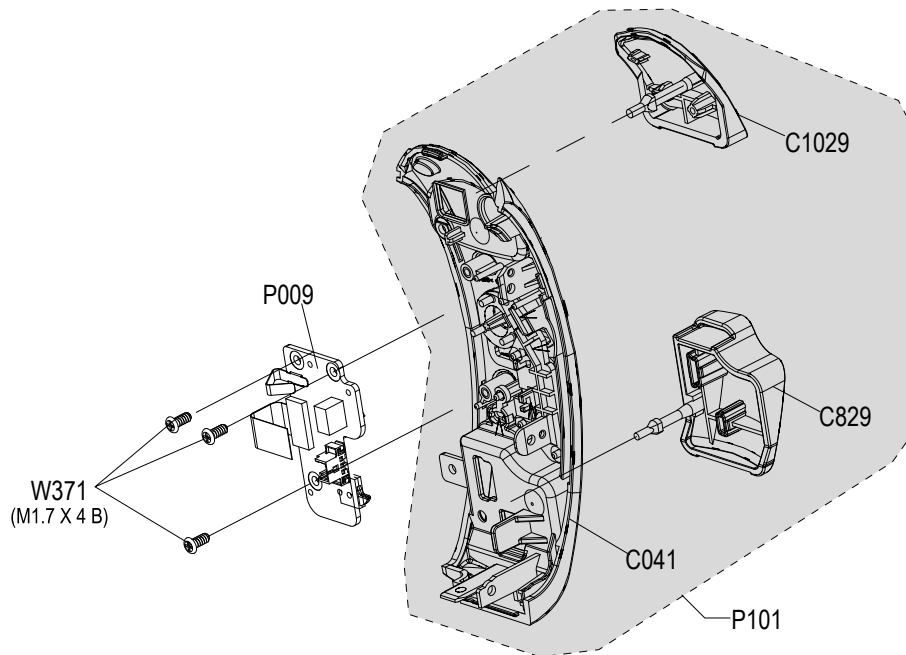
Loc. No	Parts No.	Description ; Specification	Q ty	SNA	Remark
C040	AD61-03101A	CASE-LEFT;DRAGON4-PJ,ABS 94HB+	1	SNA	
C044	AD64-01704A	KNOB-BATTERY EJECT;DRAGON4-PJ,	1	SNA	
C146	AD61-03112A	MAGNET-LEFT;DRAGON4-PJ,MAGNET,	1	SA	
C152	AD61-03050A	PLATE-GUIDE BATTERY;DRAGON4-PJ	1	SNA	
C306	AD61-01625B	SPRING ETC-BATTERY EJECT;THETA	1	SA	
C818	AD61-03055A	HOLDER-BATTERY LOCK;DRAGON4-PJ	1	SNA	
C834	AD61-03057A	HOLDER-BATTERY;DRAGON4-PJ,ABS	1	SNA	
C954	AD69-00968A	PAD-LEFT;DRAGON4-PJ,OTHER,T1.0	1	SNA	
VS006	AD97-04289A	ASSY-SPEAKER;- ,D5-PJ,G-17S08-0	1	SA	
W371	6003-001453	SCREW-TAPTITE;BH,+ ,B,M1.7,L4,Z	3	SA	

5-6 Ass'y Front



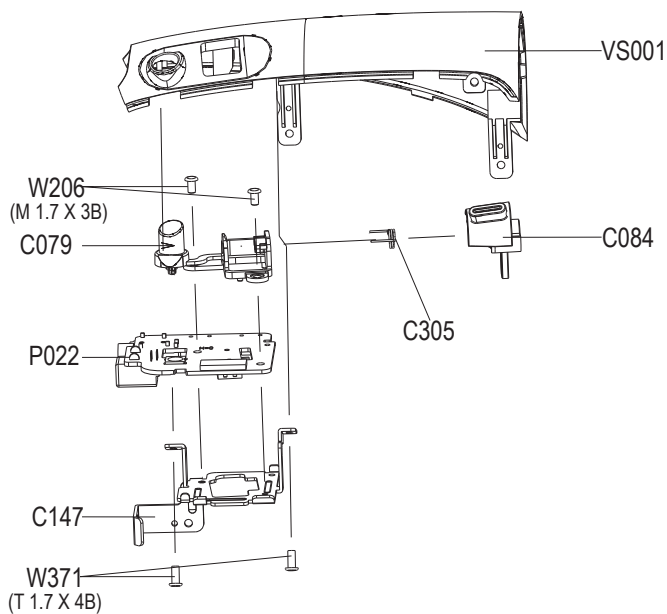
Loc. No	Parts No.	Description ; Specification	Q ty	SNA	Remark
C033	AD69-00970A	PAD-MIC;DRAGON4-PJ,OTHER,T0.5,	1	SA	
C034	AD61-03100A	CASE-FRONT;DRAGON4-PJ,ABS 94HB	1	SNA	
C091	AD61-03053A	HOLDER-HOOD;DRAGON4-PJ,PC,T1.0	1	SA	
VS050	AD97-13296A	ASSY-MIC;ASSY,DRAGON4-PJ,SC-D3	1	SA	
W371	6003-001453	SCREW-TAPTITE;BH,+,B,M1.7,L4,Z	3	SA	

5-7 Ass'y Rear



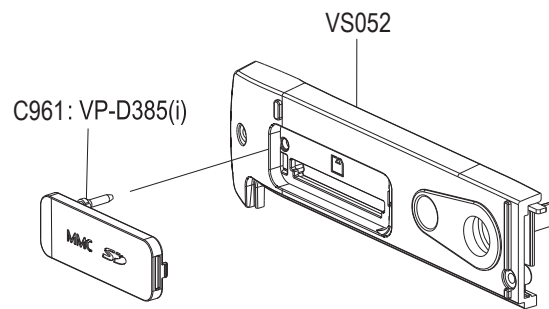
Loc. No	Parts No.	Description ; Specification	Q ty	SNA	Remark
C041	AD61-03103A	CASE-REAR;DRAGON4-PJ,ABS 94HB+	1	SNA	
C1029	AD63-01215A	COVER-AV JACK;DRAGON4-PJ,URETH	1	SNA	
C829	AD63-01216A	COVER-DC JACK;DRAGON4-PJ,URETH	1	SNA	
P009	AD92-00161B	ASSY PCB-REAR BOARD;DRAGON4-PJ	1	SA	
P101	AD97-13293A	ASSY-CASE REAR;ASSY,DRAGON4-PJ	1	SA	
W371	6003-001453	SCREW-TAPTITE;BH,+,B,M1.7,L4,Z	3	SA	

5-8 Ass'y Top



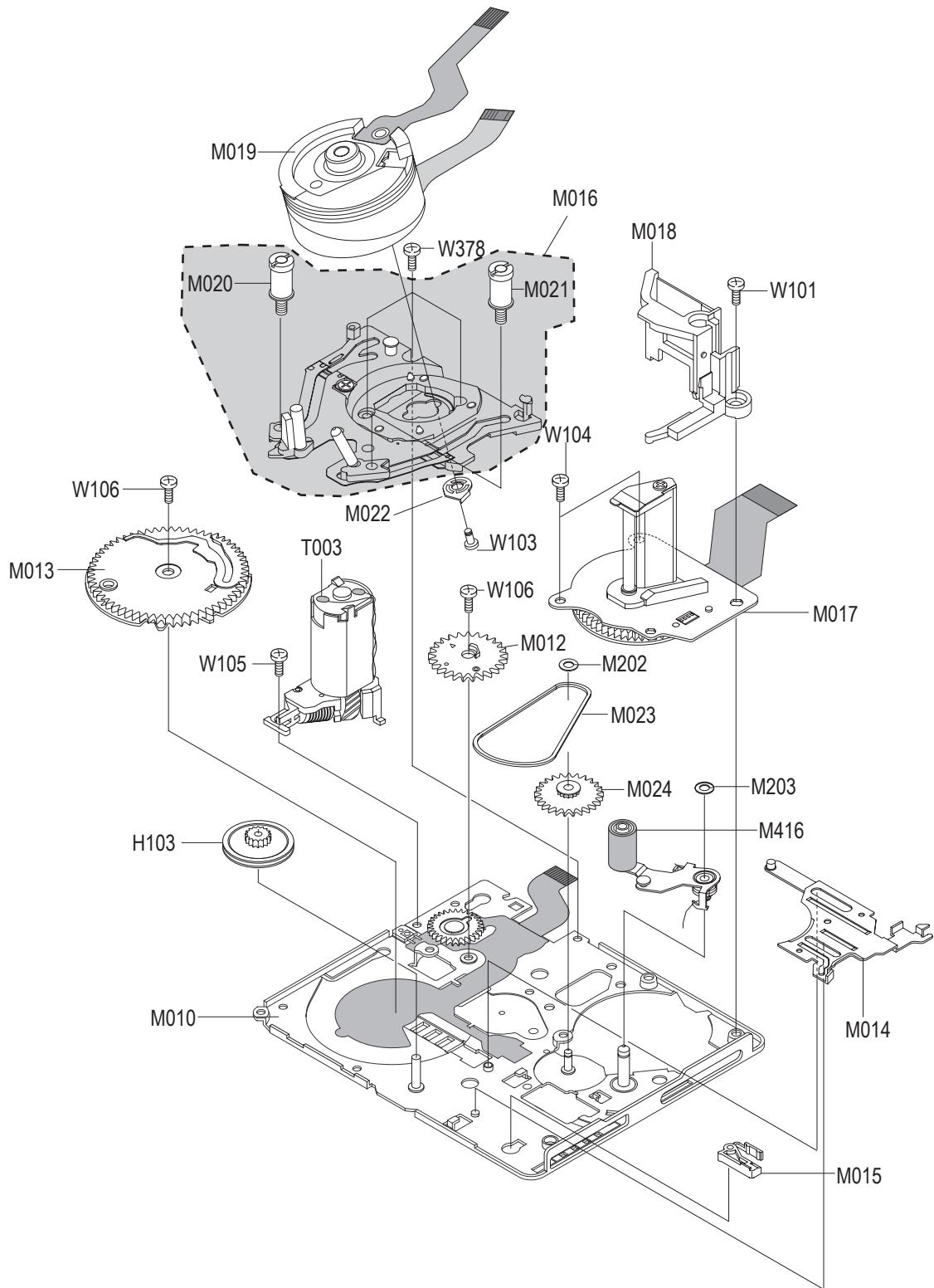
Loc. No	Parts No.	Description ; Specification	Q ty	SNA	Remark
C079	AD61-03059A	HOLDER-ZOOM;DRAGON4-PJ,ABS 94H	1	SA	
C084	AD64-01705A	KNOB-ZOOM;DRAGON4-PJ,ABS 94HB,	1	SA	
C147	AD61-03046A	BRACKET-ZOOM;DRAGON4-PJ,STS,T0	1	SA	
C305	AD61-02814A	SPRING ETC-ZOOM;DRAGON3-PJ,SUS	1	SA	
P022	AD92-00162A	ASSY PCB-a BOARD;SC-D385/XA	1	SA	
VS001	AD61-03067A	CASE-TOP;DRAOGN4-PJ,ABS 94HB,T	1	SA	
W206	6001-001373	SCREW-MACHINE;PH,T0.5,+,-,M1.7	2	SA	
W371	6003-001453	SCREW-TAPTITE;BH,+ ,B,M1.7,L4,Z	2	SA	

5-9 Ass'y Bottom (VP-D385(i) only)



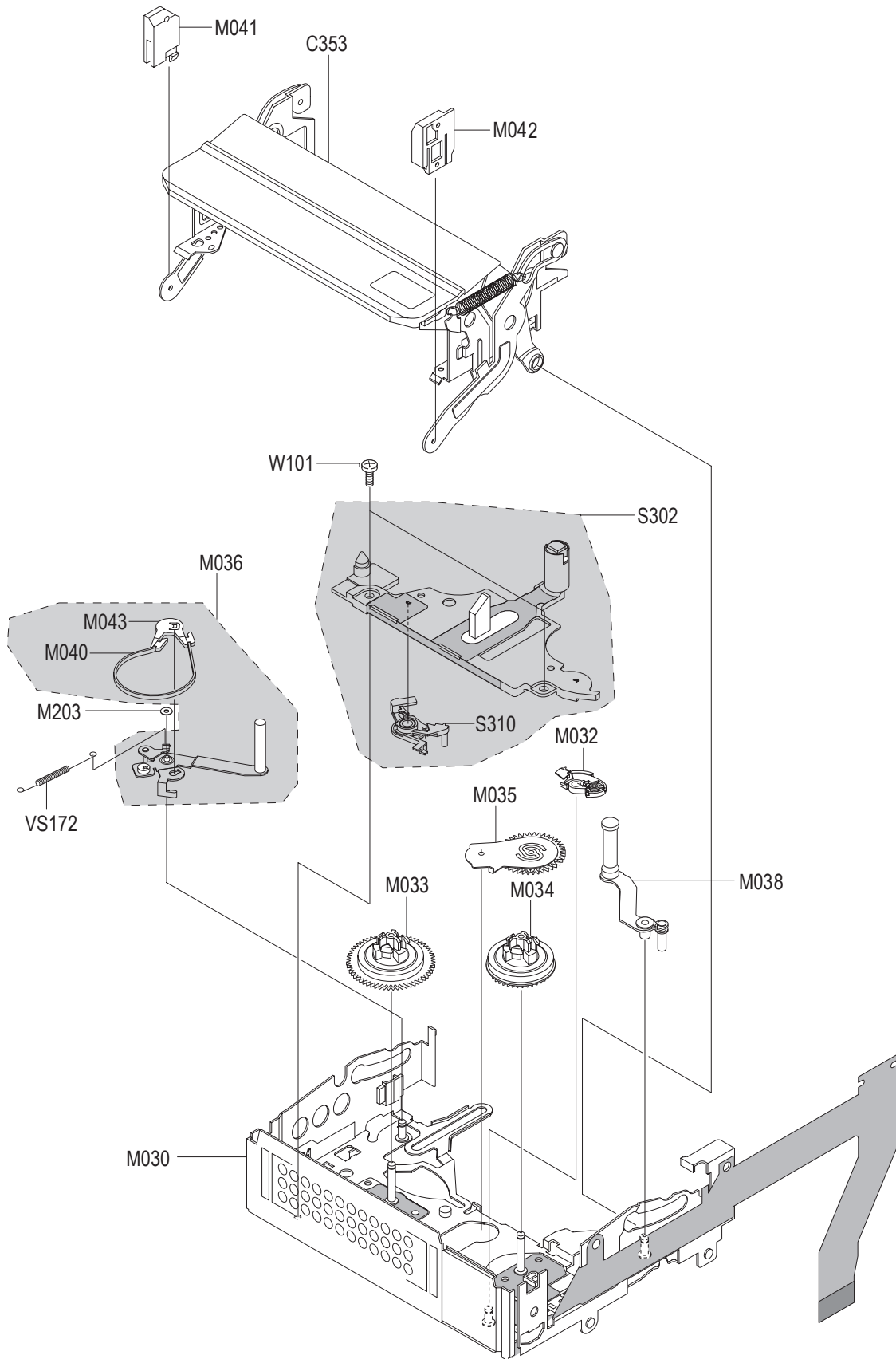
Loc. No	Parts No.	Description ; Specification	Q ty	SNA	Remark
C961	AD63-01214A	COVER-DOOR CARD;DRAGON4-PJ,URE	1	SA	
VS052	AD61-03066A	CASE-BOTTOM;DRAOGN4-PJ,ABS 94H	1	SNA	

5-10 Mechanical Parts (Main Chassis)



Loc. No	Parts No.	Description ; Specification	Q ty	SNA	Remark
H103	AD66-00219A	GEAR-PULLEY;DD-4,DURACON M90-4	1	SA	
M010	AD97-12041A	ASSY-MAIN CHASSIS;-;DD-4B,-	1	SA	
M012	AD66-00208A	GEAR-TENSION;DD-4,PBT3300,0.5,	1	SA	
M013	AD66-00375A	GEAR-CAM MAIN;DD-4A,TS-25A,-,5	1	SA	
M014	AD66-00212A	SLIDER-MAIN;DD-4,SUS430 CP,T0.	1	SA	
M015	AD66-00211A	LEVER-EJECT;DD-4,DURACON MS-02	1	SA	
M016	AD97-10555A	ASSY-DRUM BASE RAIL;ASSY,DD-4A	1	SA	
M017	AD97-12040A	ASSY-CAPSTAN MOTOR;-;DD-4B,-	1	SA	
M018	AD61-02336A	HOLDER-FPC SUB;DD-4A,DURACON M	1	SA	
M019	AD97-10579A	ASSY-DRUM;ASSY,DD-4A,TOE, COIL	1	SA	
M020	AD97-06176B	ASSY-GUIDE ROLLER;Mold + ETC,D	1	SNA	
M021	AD61-01483A	GUIDE-ROLLER;DD-4,POM,-,-,BL	1	SNA	
M022	AD61-00558A	PLATE-S/P BASE;DD-3,SUS632 CSP	1	SA	
M023	AD66-00221A	PULLEY-BELT TIMING;DD-4,POLYUR	0.8	SA	
	AD66-00292A	PULLEY-BELT-TIMING;DD-4,POLYUR	0.2	SA	
M024	AD66-00069A	GEAR-CAPSTAN;DD-3,DYAMID,0.4,2	1	SA	
M202	6031-001417	WASHER-PLAIN;POLYSLIDE,-,ID0.8	1	SA	
M203	6031-001430	WASHER-PLAIN;POLYSLIDER,-,ID0.	3	SA	
M416	AD97-10558A	ASSY-ARM PINCH;ASSY,DD-4A,ASSY	1	SA	
T003	AD97-10586A	ASSY-LOADING MOTOR;ASSY,DD-4A,	1	SA	
W101	6001-001575	SCREW-MACHINE;PH,+,M1.4,L3.5,Z	2	SA	
W103	6001-001591	SCREW-MACHINE;PH,+,M1.4,L4(1.5	1	SA	
W104	6001-001715	SCREW-MACHINE;BH,+,M1.4,L2.2,Z	2	SA	
W105	6001-001590	SCREW-MACHINE;PH,+,M1.4,L2.2,Z	1	SA	
W106	6009-001319	SCREW-SPECIAL;BH,+,M1.4,L2.6	2	SA	
W378	6001-001452	SCREW-MACHINE;BH,+,M1.4,L2.5	3	SA	

5-11 Mechanical Parts (Sub Chassis)



Loc. No	Parts No.	Description ; Specification	Q ty	SNA	Remark
C353	AD97-10554A	ASSY-HOUSING;SECC+ETC,DD-4A,AS	1	SA	
M030	AD97-12043A	ASSY-SUB CHASSIS;DD-4B,-,-	1	SA	
M032	AD97-10553A	ASSY-BRAKE T;ASSY,DD-4A,ASSY	1	SA	
M033	AD97-06395A	ASSY-REEL-DISK-S;ASSY,DD-4,-	1	SA	
M034	AD97-06396A	ASSY-REEL-DISK-T;ASSY,DD-4,-	1	SA	
M035	AD97-06397A	ASSY-IDLER;ASSY,DD-4,-	1	SA	
M036	AD97-06401A	ASSY-ARM-TENSION;-;DD-4,ASSY	1	SA	
M038	AD97-06402A	ASSY-ARM-REVIEW;-;DD-4,ASSY	1	SA	
M040	AD69-00425A	BAND-TENSION;DD-4,LUMIRROR,-,-	1	SNA	
M041	AD61-01194A	HOUSING-LOCK L;DD-4,DURACON M9	1	SA	
M042	AD61-01195A	HOUSING-LOCK R;DD-4,DURACON M9	1	SA	
M043	AD61-01159A	HOLDER-BAND;DD-4,DURACON M90-4	1	SNA	
M203	6031-001430	WASHER-PLAIN;POLYSLIDER,-,ID0.	3	SA	
S302	AD97-10559A	ASSY-COVER REEL BRAKE;ASSY,DD-	1	SA	
S310	AD66-00374A	BRAKE-S SOFT;DD-4A,ZYTEL 70G-4	1	SNA	
VS172	AD61-01184A	SPRING ETC-TENSION;DD-4,SUS304	1	SA	
W101	6001-001575	SCREW-MACHINE;PH,+;M1.4,L3.5,Z	1	SA	

5-12 Electrical Parts List

Loc.No	Loc.No	Description : Specification	Q'ty	S.N.A	Remark	Loc.No	Loc.No	Description : Specification	Q'ty	S.N.A	Remark
P001	AD92-00157D	ASSY PCB-MAIN BOARD,DRAGON4-PJ	1	SA		C211	2203-006627	C-CER,CHIP;470nF,10%,10V,X5R,1	1	SA	
B101	3301-001649	BEAD-SMD;180ohm,1608,-,TP,-,22	1	SA		C212	2203-006348	C-CER,CHIP;1000nF,10%,25V,X5R,	1	SA	
B201	3301-001649	BEAD-SMD;180ohm,1608,-,TP,-,22	1	SA		C213	2203-006048	C-CER,CHIP;100nF,10%,10V,X7R,1	1	SA	
B202	3301-001649	BEAD-SMD;180ohm,1608,-,TP,-,22	1	SA		C214	2203-006048	C-CER,CHIP;100nF,10%,10V,X7R,1	1	SA	
B204	3301-001649	BEAD-SMD;180ohm,1608,-,TP,-,22	1	SA		C215	2203-006048	C-CER,CHIP;100nF,10%,10V,X7R,1	1	SA	
B301	3301-001810	BEAD-SMD;240ohm,1005,TP,175ohm	1	SA		C216	2203-006048	C-CER,CHIP;100nF,10%,10V,X7R,1	1	SA	
B303	3301-001810	BEAD-SMD;240ohm,1005,TP,175ohm	1	SA		C217	2203-006048	C-CER,CHIP;100nF,10%,10V,X7R,1	1	SA	
B304	3301-001810	BEAD-SMD;240ohm,1005,TP,175ohm	1	SA		C218	2203-006048	C-CER,CHIP;100nF,10%,10V,X7R,1	1	SA	
B305	3301-001810	BEAD-SMD;240ohm,1005,TP,175ohm	1	SA		C219	2203-006048	C-CER,CHIP;100nF,10%,10V,X7R,1	1	SA	
B306	3301-001810	BEAD-SMD;240ohm,1005,TP,175ohm	1	SA		C220	2203-006048	C-CER,CHIP;100nF,10%,10V,X7R,1	1	SA	
B307	3301-001810	BEAD-SMD;240ohm,1005,TP,175ohm	1	SA		C221	2203-002254	C-CER,CHIP;100nF,10%,16V,X7R,10	1	SA	
B308	3301-001810	BEAD-SMD;240ohm,1005,TP,175ohm	1	SA		C222	2203-006348	C-CER,CHIP;1000nF,10%,25V,X5R,	1	SA	
B309	3301-001810	BEAD-SMD;240ohm,1005,TP,175ohm	1	SA		C223	2203-006048	C-CER,CHIP;100nF,10%,10V,X7R,1	1	SA	
B310	3301-001810	BEAD-SMD;240ohm,1005,TP,175ohm	1	SA		C227	2203-006348	C-CER,CHIP;1000nF,10%,25V,X5R,	1	SA	
B312	3301-001649	BEAD-SMD;180ohm,1608,-,TP,-,22	1	SA		C229	2203-006048	C-CER,CHIP;100nF,10%,10V,X7R,1	1	SA	
B313	3301-001810	BEAD-SMD;240ohm,1005,TP,175ohm	1	SA		C230	2203-006048	C-CER,CHIP;100nF,10%,10V,X7R,1	1	SA	
B351	3301-001649	BEAD-SMD;180ohm,1608,-,TP,-,22	1	SA		C232	2203-006048	C-CER,CHIP;100nF,10%,10V,X7R,1	1	SA	
B601	3301-001649	BEAD-SMD;180ohm,1608,-,TP,-,22	1	SA		C241	2203-006361	C-CER,CHIP;1000nF,10%,10V,X5R	1	SA	
BD01	3301-001649	BEAD-SMD;180ohm,1608,-,TP,-,22	1	SA		C242	2203-006048	C-CER,CHIP;100nF,10%,10V,X7R,1	1	SA	
BD02	3301-001649	BEAD-SMD;180ohm,1608,-,TP,-,22	1	SA		C243	2203-006048	C-CER,CHIP;100nF,10%,10V,X7R,1	1	SA	
BM01	3301-001649	BEAD-SMD;180ohm,1608,-,TP,-,22	1	SA		C244	2203-006048	C-CER,CHIP;100nF,10%,10V,X7R,1	1	SA	
C101	2203-006048	C-CER,CHIP;100nF,10%,10V,X7R,1	1	SA		C245	2203-006048	C-CER,CHIP;100nF,10%,10V,X7R,1	1	SA	
C102	2203-000254	C-CER,CHIP;10nF,10%,16V,X7R,10	1	SA		C246	2203-006048	C-CER,CHIP;100nF,10%,10V,X7R,1	1	SA	
C104	2203-005344	C-CER,CHIP;22nF,10%,25V,X7R,TP	1	SA		C247	2203-006048	C-CER,CHIP;100nF,10%,10V,X7R,1	1	SA	
C105	2203-006048	C-CER,CHIP;100nF,10%,10V,X7R,1	1	SA		C248	2203-006048	C-CER,CHIP;100nF,10%,10V,X7R,1	1	SA	
C106	2203-006348	C-CER,CHIP;1000nF,10%,25V,X5R,	1	SA		C252	2203-006627	C-CER,CHIP;470nF,10%,10V,X5R,1	1	SA	
C107	2203-006048	C-CER,CHIP;100nF,10%,10V,X7R,1	1	SA		C301	2203-000234	C-CER,CHIP;0.1nF,5%,50V,COG,TP	1	SA	
C108	2203-006048	C-CER,CHIP;100nF,10%,10V,X7R,1	1	SA		C302	2203-000234	C-CER,CHIP;0.1nF,5%,50V,COG,TP	1	SA	
C109	2203-006048	C-CER,CHIP;100nF,10%,10V,X7R,1	1	SA		C303	2203-000234	C-CER,CHIP;0.1nF,5%,50V,COG,TP	1	SA	
C111	2203-006048	C-CER,CHIP;100nF,10%,10V,X7R,1	1	SA		C304	2203-000234	C-CER,CHIP;0.1nF,5%,50V,COG,TP	1	SA	
C112	2203-000254	C-CER,CHIP;10nF,10%,16V,X7R,10	1	SA		C305	2203-000234	C-CER,CHIP;0.1nF,5%,50V,COG,TP	1	SA	
C113	2203-000254	C-CER,CHIP;10nF,10%,16V,X7R,10	1	SA		C306	2203-000234	C-CER,CHIP;0.1nF,5%,50V,COG,TP	1	SA	
C114	2203-006048	C-CER,CHIP;100nF,10%,10V,X7R,1	1	SA		C307	2203-000234	C-CER,CHIP;0.1nF,5%,50V,COG,TP	1	SA	
C115	2203-005344	C-CER,CHIP;22nF,10%,25V,X7R,TP	1	SA		C308	2203-000234	C-CER,CHIP;0.1nF,5%,50V,COG,TP	1	SA	
C116	2203-006048	C-CER,CHIP;100nF,10%,10V,X7R,1	1	SA		C309	2203-000234	C-CER,CHIP;0.1nF,5%,50V,COG,TP	1	SA	
C117	2203-000254	C-CER,CHIP;10nF,10%,16V,X7R,10	1	SA		C312	2203-002487	C-CER,CHIP;4.7nF,10%,25V,X7R,1	1	SA	
C118	2203-006048	C-CER,CHIP;100nF,10%,10V,X7R,1	1	SA		C315	2203-006348	C-CER,CHIP;1000nF,10%,25V,X5R,	1	SA	
C119	2203-006361	C-CER,CHIP;10000nF,10%,10V,X5R	1	SA		C316	2203-005993	C-CER,CHIP;68nF,10%,16V,X7R,TP	1	SA	
C120	2404-001020	C-TA,CHIP;10uF,20%,10V,GP,TP,3	1	SA		C320	2203-006048	C-CER,CHIP;100nF,10%,10V,X7R,1	1	SA	
C121	2203-006048	C-CER,CHIP;100nF,10%,10V,X7R,1	1	SA		C322	2203-006048	C-CER,CHIP;100nF,10%,10V,X7R,1	1	SA	
C122	2203-000254	C-CER,CHIP;10nF,10%,16V,X7R,10	1	SA		C325	2203-006048	C-CER,CHIP;100nF,10%,10V,X7R,1	1	SA	
C123	2203-000254	C-CER,CHIP;10nF,10%,16V,X7R,10	1	SA		C328	2203-006361	C-CER,CHIP;10000nF,10%,10V,X5R	1	SA	
C124	2404-001020	C-TA,CHIP;10uF,20%,10V,GP,TP,3	1	SA		C331	3301-001810	BEAD-SMD;240ohm,1005,TP,175ohm	1	SA	
C125	2203-000254	C-CER,CHIP;10nF,10%,16V,X7R,10	1	SA		C332	2203-006048	C-CER,CHIP;100nF,10%,10V,X7R,1	1	SA	
C126	2203-006006	C-CER,CHIP;0.005nF,±0.25PF,50	1	SA		C333	2203-006348	C-CER,CHIP;1000nF,10%,25V,X5R,	1	SA	
C127	2203-006006	C-CER,CHIP;0.005nF,±0.25PF,50	1	SA		C350	2203-000425	C-CER,CHIP;0.018nF,5%,50V,COG,	1	SA	
C128	2203-006048	C-CER,CHIP;100nF,10%,10V,X7R,1	1	SA		C351	2203-000425	C-CER,CHIP;0.018nF,5%,50V,COG,	1	SA	
C129	2203-006048	C-CER,CHIP;100nF,10%,10V,X7R,1	1	SA		C352	2203-000254	C-CER,CHIP;10nF,10%,16V,X7R,10	1	SA	
C201	2203-006048	C-CER,CHIP;100nF,10%,10V,X7R,1	1	SA		C353	2203-000254	C-CER,CHIP;10nF,10%,16V,X7R,10	1	SA	
C202	2203-006048	C-CER,CHIP;100nF,10%,10V,X7R,1	1	SA		C354	2203-000254	C-CER,CHIP;10nF,10%,16V,X7R,10	1	SA	
C203	2203-000585	C-CER,CHIP;0.22nF,10%,50V,X7R,	1	SA		C355	2203-006348	C-CER,CHIP;1000nF,10%,25V,X5R,	1	SA	
C204	2203-006361	C-CER,CHIP;10000nF,10%,10V,X5R	1	SA		C401	2203-006048	C-CER,CHIP;100nF,10%,10V,X7R,1	1	SA	
C207	2203-006048	C-CER,CHIP;100nF,10%,10V,X7R,1	1	SA		C402	2203-006048	C-CER,CHIP;100nF,10%,10V,X7R,1	1	SA	
C208	2404-001064	C-TA,CHIP;10uF,20%,6.3V,WT,TP,	1	SA		C403	2203-006048	C-CER,CHIP;100nF,10%,10V,X7R,1	1	SA	
C209	2203-006048	C-CER,CHIP;100nF,10%,10V,X7R,1	1	SA		C406	2203-006048	C-CER,CHIP;100nF,10%,10V,X7R,1	1	SA	
C210	2404-001064	C-TA,CHIP;10uF,20%,6.3V,WT,TP,	1	SA		C407	2203-006048	C-CER,CHIP;100nF,10%,10V,X7R,1	1	SA	

Loc.No	Loc.No	Description : Specification	Q'ty	S.N.A	Remark	Loc.No	Loc.No	Description : Specification	Q'ty	S.N.A	Remark
C409	2203-006048	C-CER,CHIP;100nF,10%,10V,X7R,1	1	SA		C610	2203-006348	C-CER,CHIP;1000nF,10%,25V,X5R,	1	SA	
C411	2203-006361	C-CER,CHIP;1000nF,10%,10V,X5R	1	SA		C611	2203-006348	C-CER,CHIP;1000nF,10%,25V,X5R,	1	SA	
C412	2203-006348	C-CER,CHIP;1000nF,10%,25V,X5R,	1	SA		C612	2203-006348	C-CER,CHIP;1000nF,10%,25V,X5R,	1	SA	
C413	2203-006348	C-CER,CHIP;1000nF,10%,25V,X5R,	1	SA		C613	2203-006348	C-CER,CHIP;1000nF,10%,25V,X5R,	1	SA	
C414	2203-006348	C-CER,CHIP;1000nF,10%,25V,X5R,	1	SA		C614	2203-005627	C-CER,CHIP;470nF,10%,10V,X5R,1	1	SA	
C416	2203-006048	C-CER,CHIP;100nF,10%,10V,X7R,1	1	SA		C615	2203-006348	C-CER,CHIP;1000nF,10%,25V,X5R,	1	SA	
C417	2203-000254	C-CER,CHIP;10nF,10%,16V,X7R,10	1	SA		C616	2203-006348	C-CER,CHIP;1000nF,10%,25V,X5R,	1	SA	
C418	2203-002487	C-CER,CHIP;4.7nF,10%,25V,X7R,1	1	SA		C617	2203-005627	C-CER,CHIP;470nF,10%,10V,X5R,1	1	SA	
C419	2203-005481	C-CER,CHIP;47nF,10%,10V,X7R,TP	1	SA		C618	2203-005627	C-CER,CHIP;470nF,10%,10V,X5R,1	1	SA	
C420	2203-006048	C-CER,CHIP;100nF,10%,10V,X7R,1	1	SA		C619	2203-005627	C-CER,CHIP;470nF,10%,10V,X5R,1	1	SA	
C421	2203-006348	C-CER,CHIP;1000nF,10%,25V,X5R,	1	SA		C620	2203-006048	C-CER,CHIP;100nF,10%,10V,X7R,1	1	SA	
C422	2203-000234	C-CER,CHIP;0.1nF,5%,50V,C0G,TP	1	SA		C621	2203-006348	C-CER,CHIP;1000nF,10%,25V,X5R,	1	SA	
C423	2203-000234	C-CER,CHIP;0.1nF,5%,50V,C0G,TP	1	SA		C622	2203-005922	C-CER,CHIP;4700nF,20%,6.3V,X5R	1	SA	
C424	2203-000234	C-CER,CHIP;0.1nF,5%,50V,C0G,TP	1	SA		C623	2203-005481	C-CER,CHIP;47nF,10%,10V,X7R,TP	1	SA	
C425	2203-006047	C-CER,CHIP;33nF,10%,16V,X7R,10	1	SA		C624	2203-006348	C-CER,CHIP;1000nF,10%,25V,X5R,	1	SA	
C426	2203-006048	C-CER,CHIP;100nF,10%,10V,X7R,1	1	SA		C625	2203-006348	C-CER,CHIP;1000nF,10%,25V,X5R,	1	SA	
C427	2203-006048	C-CER,CHIP;100nF,10%,10V,X7R,1	1	SA		C626	2203-006048	C-CER,CHIP;100nF,10%,10V,X7R,1	1	SA	
C428	2203-006048	C-CER,CHIP;100nF,10%,10V,X7R,1	1	SA		C627	2203-005922	C-CER,CHIP;4700nF,20%,6.3V,X5R	1	SA	
C429	2203-006348	C-CER,CHIP;1000nF,10%,25V,X5R,	1	SA		C628	2203-006474	C-CER,CHIP;2200nF,20%,6.3V,X5	1	SA	
C430	2203-000489	C-CER,CHIP;2.2nF,10%,50V,X7R,1	1	SA		C630	2203-006361	C-CER,CHIP;1000nF,10%,10V,X5R	1	SA	
C431	2203-000489	C-CER,CHIP;2.2nF,10%,50V,X7R,1	1	SA		C701	2404-001269	C-TA,CHIP;10uF,20%,20V,-,TP,35	1	SA	
C432	2203-006048	C-CER,CHIP;100nF,10%,10V,X7R,1	1	SA		C704	2203-006474	C-CER,CHIP;2200nF,20%,6.3V,X5	1	SA	
C501	2203-006048	C-CER,CHIP;100nF,10%,10V,X7R,1	1	SA		C705	2203-000254	C-CER,CHIP;10nF,10%,16V,X7R,10	1	SA	
C502	2203-006048	C-CER,CHIP;100nF,10%,10V,X7R,1	1	SA		C706	2203-000254	C-CER,CHIP;10nF,10%,16V,X7R,10	1	SA	
C503	2203-006048	C-CER,CHIP;100nF,10%,10V,X7R,1	1	SA		C707	2203-000254	C-CER,CHIP;10nF,10%,16V,X7R,10	1	SA	
C504	2404-001246	C-TA,CHIP;10uF,20%,6.3V,WT,TP,	1	SA		C708	2203-006048	C-CER,CHIP;100nF,10%,10V,X7R,1	1	SA	
C505	2203-000254	C-CER,CHIP;10nF,10%,16V,X7R,10	1	SA		C709	2203-000438	C-CER,CHIP;1nF,10%,50V,X7R,100	1	SA	
C506	2203-000714	C-CER,CHIP;3.3nF,10%,50V,X7R,T	1	SA		C710	2203-006048	C-CER,CHIP;100nF,10%,10V,X7R,1	1	SA	
C507	2203-006006	C-CER,CHIP;0.005nF,±0.25PF,50	1	SA		C711	2203-000359	C-CER,CHIP;0.15nF,5%,50V,C0G,T	1	SA	
C508	2203-000278	C-CER,CHIP;0.01nF,0.5pF,50V,C0	1	SA		C713	2203-006048	C-CER,CHIP;100nF,10%,10V,X7R,1	1	SA	
C509	2203-000254	C-CER,CHIP;10nF,10%,16V,X7R,10	1	SA		C714	2203-006048	C-CER,CHIP;100nF,10%,10V,X7R,1	1	SA	
C510	2203-006361	C-CER,CHIP;1000nF,10%,10V,X5R	1	SA		C716	2203-000438	C-CER,CHIP;1nF,10%,50V,X7R,100	1	SA	
C511	2203-005922	C-CER,CHIP;4700nF,20%,6.3V,X5R	1	SA		C717	2203-000254	C-CER,CHIP;10nF,10%,16V,X7R,10	1	SA	
C512	2203-005061	C-CER,CHIP;100nF,+80-20%,16V,Y	1	SA		C718	2203-000254	C-CER,CHIP;10nF,10%,16V,X7R,10	1	SA	
C513	2203-000254	C-CER,CHIP;10nF,10%,16V,X7R,10	1	SA		C719	2203-006320	C-CER,CHIP;2200nF,10%,16V,X7R,	1	SA	
C514	2203-000254	C-CER,CHIP;10nF,10%,16V,X7R,10	1	SA		C721	2203-005834	C-CER,CHIP;2200nF,+80-20%,10V	1	SA	
C518	2203-002717	C-CER,CHIP;10nF,+80-20%,50V,Y5	1	SA		C723	2203-006320	C-CER,CHIP;2200nF,10%,16V,X7R,	1	SA	
C519	2203-002982	C-CER,CHIP;6.8nF,10%,50V,X7R,1	1	SA		C725	2203-005834	C-CER,CHIP;2200nF,+80-20%,10V	1	SA	
C521	2203-002982	C-CER,CHIP;6.8nF,10%,50V,X7R,1	1	SA		C729	2203-006336	C-CER,CHIP;1000nF,10%,25V,X5R	1	SA	
C522	2203-006048	C-CER,CHIP;100nF,10%,10V,X7R,1	1	SA		C741	2203-006320	C-CER,CHIP;2200nF,10%,16V,X7R,	1	SA	
C523	2203-006048	C-CER,CHIP;100nF,10%,10V,X7R,1	1	SA		C742	2203-006474	C-CER,CHIP;2200nF,20%,6.3V,X5	1	SA	
C524	2203-006048	C-CER,CHIP;100nF,10%,10V,X7R,1	1	SA		C744	2203-005922	C-CER,CHIP;4700nF,20%,6.3V,X5R	1	SA	
C525	2203-006048	C-CER,CHIP;100nF,10%,10V,X7R,1	1	SA		C745	2203-006320	C-CER,CHIP;2200nF,10%,16V,X7R,	1	SA	
C526	2203-006048	C-CER,CHIP;100nF,10%,10V,X7R,1	1	SA		C746	2203-006474	C-CER,CHIP;2200nF,20%,6.3V,X5	1	SA	
C527	2203-000254	C-CER,CHIP;10nF,10%,16V,X7R,10	1	SA		C749	2203-006320	C-CER,CHIP;2200nF,10%,16V,X7R,	1	SA	
C529	2203-006048	C-CER,CHIP;100nF,10%,10V,X7R,1	1	SA		C750	2203-006474	C-CER,CHIP;2200nF,20%,6.3V,X5	1	SA	
C530	2203-006048	C-CER,CHIP;100nF,10%,10V,X7R,1	1	SA		C755	2203-006361	C-CER,CHIP;1000nF,10%,10V,X5R	1	SA	
C531	2203-006048	C-CER,CHIP;100nF,10%,10V,X7R,1	1	SA		C764	2203-006474	C-CER,CHIP;2200nF,20%,6.3V,X5	1	SA	
C533	2203-006048	C-CER,CHIP;100nF,10%,10V,X7R,1	1	SA		C766	2203-006320	C-CER,CHIP;2200nF,10%,16V,X7R,	1	SA	
C534	2203-006048	C-CER,CHIP;100nF,10%,10V,X7R,1	1	SA		C774	2203-006336	C-CER,CHIP;1000nF,10%,25V,X5R	1	SA	
C535	2404-001246	C-TA,CHIP;10uF,20%,6.3V,WT,TP,	1	SA		C775	2203-002793	C-CER,CHIP;1000nF,+80-20%,25V,	1	SA	
C601	2203-006348	C-CER,CHIP;1000nF,10%,25V,X5R,	1	SA		CA01	2203-006048	C-CER,CHIP;100nF,10%,10V,X7R,1	1	SA	
C602	2203-006348	C-CER,CHIP;1000nF,10%,25V,X5R,	1	SA		CA02	2404-001064	C-TA,CHIP;10uF,20%,6.3V,WT,TP,	1	SA	
C603	2203-000234	C-CER,CHIP;0.1nF,5%,50V,C0G,TP	1	SA		CA03	2203-000815	C-CER,CHIP;0.033nF,5%,50V,C0G,	1	SA	
C604	2203-000234	C-CER,CHIP;0.1nF,5%,50V,C0G,TP	1	SA		CA04	2203-002793	C-CER,CHIP;1000nF,+80-20%,25V,	1	SA	
C605	2203-005922	C-CER,CHIP;4700nF,20%,6.3V,X5R	1	SA		CA05	2203-006048	C-CER,CHIP;100nF,10%,10V,X7R,1	1	SA	
C606	2203-006348	C-CER,CHIP;1000nF,10%,25V,X5R,	1	SA		CA06	2203-006048	C-CER,CHIP;100nF,10%,10V,X7R,1	1	SA	
C607	2203-006048	C-CER,CHIP;100nF,10%,10V,X7R,1	1	SA		CA07	2203-006048	C-CER,CHIP;100nF,10%,10V,X7R,1	1	SA	
C608	2203-005922	C-CER,CHIP;4700nF,20%,6.3V,X5R	1	SA		CA08	2203-005627	C-CER,CHIP;470nF,10%,10V,X5R,1	1	SA	

Exploded Views and Parts List

Loc.No	Loc.No	Description : Specification	Q'ty	S.N.A	Remark	Loc.No	Loc.No	Description : Specification	Q'ty	S.N.A	Remark
CA09	2203-006048	C-CER,CHIP;100nF,10%,10V,X7R,1	1	SA		CZ04	2203-006048	C-CER,CHIP;100nF,10%,10V,X7R,1	1	SA	
CA10	2203-006048	C-CER,CHIP;100nF,10%,10V,X7R,1	1	SA		CZ05	2203-005065	C-CER,CHIP;1000nF,+80-20%,10V,	1	SA	
CA11	2203-006048	C-CER,CHIP;100nF,10%,10V,X7R,1	1	SA		CZ06	2203-006348	C-CER,CHIP;1000nF,10%,25V,X5R,	1	SA	
CD04	2203-000278	C-CER,CHIP;0.01nF,0.5pF,50V,CO	1	SA		CZ07	2203-006048	C-CER,CHIP;100nF,10%,10V,X7R,1	1	SA	
CD05	2203-006048	C-CER,CHIP;100nF,10%,10V,X7R,1	1	SA		CZ08	2203-006348	C-CER,CHIP;1000nF,10%,25V,X5R,	1	SA	
CD06	2203-006048	C-CER,CHIP;100nF,10%,10V,X7R,1	1	SA		CZ09	2203-006048	C-CER,CHIP;100nF,10%,10V,X7R,1	1	SA	
CD09	2203-006048	C-CER,CHIP;100nF,10%,10V,X7R,1	1	SA		CZ10	2203-00438	C-CER,CHIP;1nF,10%,50V,X7R,100	1	SA	
CD10	2203-001221	C-CER,CHIP;0.02nF,10%,50V,X7R,	1	SA		CZ11	2203-006048	C-CER,CHIP;100nF,10%,10V,X7R,1	1	SA	
CD101	2203-006006	C-CER,CHIP;0.005nF,±0.25PF,50	1	SA		CZ12	2203-001432	C-CER,CHIP;47nF,+80-20%,16V,Y5	1	SA	
CD102	2203-006006	C-CER,CHIP;0.005nF,±0.25PF,50	1	SA		CZ13	2203-006048	C-CER,CHIP;100nF,10%,10V,X7R,1	1	SA	
CD103	2203-006006	C-CER,CHIP;0.005nF,±0.25PF,50	1	SA		CZ14	2203-00438	C-CER,CHIP;1nF,10%,50V,X7R,100	1	SA	
CD104	2203-006006	C-CER,CHIP;0.005nF,±0.25PF,50	1	SA		CZ15	2203-006047	C-CER,CHIP;33nF,10%,16V,X7R,10	1	SA	
CD105	2203-006006	C-CER,CHIP;0.005nF,±0.25PF,50	1	SA		CZ16	2203-000714	C-CER,CHIP;3.3nF,10%,50V,X7R,T	1	SA	
CD18	2203-006048	C-CER,CHIP;100nF,10%,10V,X7R,1	1	SA		CZ17	2203-000254	C-CER,CHIP;10nF,10%,16V,X7R,10	1	SA	
CD19	2203-006048	C-CER,CHIP;100nF,10%,10V,X7R,1	1	SA		CZ18	2203-006048	C-CER,CHIP;100nF,10%,10V,X7R,1	1	SA	
CD20	2203-006048	C-CER,CHIP;100nF,10%,10V,X7R,1	1	SA		CZ19	2203-006348	C-CER,CHIP;1000nF,10%,25V,X5R,	1	SA	
CD21	2203-006048	C-CER,CHIP;100nF,10%,10V,X7R,1	1	SA		D351	0404-001096	DIODE-SCHOTTKY;1SS393,40V,100m	1	SA	
CD22	2203-006048	C-CER,CHIP;100nF,10%,10V,X7R,1	1	SA		D702	0401-001059	DIODE-SWITCHING;1SS362,80V,80M	1	SA	
CD23	2203-006048	C-CER,CHIP;100nF,10%,10V,X7R,1	1	SA		DR01	0403-001403	DIODE-ZENER;KZD5.6EV,5.3-6V,15	1	SA	
CD24	2203-006048	C-CER,CHIP;100nF,10%,10V,X7R,1	1	SA		IC101	AD13-00031A	IC ASIC-PRE AMP;LA70056T,DELTA	1	SA	
CD25	2203-006048	C-CER,CHIP;100nF,10%,10V,X7R,1	1	SA		IC102	AD13-00030A	IC ASIC-PRML;LC74132W,DELTA3-P	1	SA	
CD26	2203-006048	C-CER,CHIP;100nF,10%,10V,X7R,1	1	SA		IC201	AD13-00033A	IC ASIC;GLOBALI,DELTA3-PJ,337,	1	SA	
CD27	2404-001325	C-TA,CHIP;22UF,20%,10V,WT,TP,3	1	SA		IC301	1003-001806	IC-LCD DRIVER;S5D4100X,FBGA,88	1	SA	
CD28	2203-006048	C-CER,CHIP;100nF,10%,10V,X7R,1	1	SA		IC304	1203-003649	IC-POSI.FIXED REG.;R1114N181D,	1	SA	
CD29	2203-006048	C-CER,CHIP;100nF,10%,10V,X7R,1	1	SA		IC351	AD13-00045A	IC ASIC;ICS62031,DRAGON3,20,3V	1	SA	
CD30	2203-006048	C-CER,CHIP;100nF,10%,10V,X7R,1	1	SA		IC401	1003-001680	IC-MOTOR DRIVER;LB11993W,SQPF,	1	SA	
CD31	2203-006048	C-CER,CHIP;100nF,10%,10V,X7R,1	1	SA		IC501	AD09-00294A	IC MICOM-MASK;T5BP3XBG-7AD3,DR	1	SNA	
CD32	2203-006048	C-CER,CHIP;100nF,10%,10V,X7R,1	1	SA		IC502	0909-001058	IC-REAL TIME CLOCK;R2051T01,TS	1	SA	
CD33	2203-006048	C-CER,CHIP;100nF,10%,10V,X7R,1	1	SA		IC503	1203-002807	IC-POSI.FIXED REG.;XC6413FY01M	1	SA	
CD34	2203-006048	C-CER,CHIP;100nF,10%,10V,X7R,1	1	SA		IC504	0801-002417	IC-CMOS LOGIC;75HU04,INVERTER,	1	SA	
CD35	2203-006048	C-CER,CHIP;100nF,10%,10V,X7R,1	1	SA		IC601	AD13-00044B	IC ASIC;LC07420T,DRAGON4,64,3V	1	SA	
CD36	2404-001247	C-TA,CHIP;22UF,20%,4V,WT,TP,20	1	SA		IC701	1203-003567	IC-PWM CONTROLLER;BD9833KV,VQ	1	SA	
CM01	2203-006048	C-CER,CHIP;100nF,10%,10V,X7R,1	1	SA		ICA01	1002-001449	IC-A/D CONVERTER;VSP2582RHN,12	1	SA	
CM02	2203-005921	C-CER,CHIP;1000nF,20%,4V,X5R,	1	SA		ICD01	AD13-00039A	IC ASIC-DSP;S5C7377,DRAGON2-PJ	1	SA	
CM03	2203-005061	C-CER,CHIP;100nF,+80-20%,16V,Y	1	SA		ICD02	1103-001218	IC-EEPROM;524A0B0X91,32Kbit,4Kx	1	SA	
CM04	2203-006048	C-CER,CHIP;100nF,10%,10V,X7R,1	1	SA		ICM01	1105-001605	IC-DRAM;K4M283233H,-,128Mbit,4	1	SA	
CM05	2203-006048	C-CER,CHIP;100nF,10%,10V,X7R,1	1	SA		ICM02	1107-001616	IC-FLASH MEMORY;S29AL016D,16Mb	1	SNA	
CM06	2203-006048	C-CER,CHIP;100nF,10%,10V,X7R,1	1	SA		ICR01	1201-002101	IC-OP AMP;KIA358AFK,US,TP,8P,2	1	SA	
CN101	3708-002447	CONNECTOR-FPC/FFC/PIC;7P,0.5mm	1	SA		ICV01	1003-002045	IC-CLOCK DRIVER;NVD2004,TSSOP,	1	SA	
CN302	3708-002224	CONNECTOR-FPC/FFC/PIC;24P,0.5m	1	SA		ICZ01	1003-001988	IC-MOTOR DRIVER;uPD168104,WQFN	1	SA	
CN401	3708-002321	CONNECTOR-FPC/FFC/PIC;18P,0.5m	1	SA		JACK-D	AD97-08500A	ASSY-DC JACK;TC18-431-01,DELTA	1	SA	
CN402	3708-002173	CONNECTOR-FPC/FFC/PIC;10P,0.5m	1	SA		L401	2703-002723	INDUCTOR-SMD;22UH,10%,2012	1	SA	
CN403	3708-002173	CONNECTOR-FPC/FFC/PIC;10P,0.5m	1	SA		L601	2703-002724	INDUCTOR-SMD;10uH,10%,2012	1	SA	
CN404	3708-002322	CONNECTOR-FPC/FFC/PIC;15,0.5mm	1	SA		L602	2703-002724	INDUCTOR-SMD;10uH,10%,2012	1	SA	
CN604	3711-000922	HEADER-BOARD TO CABLE;BOX,4P,1	1	SA		L603	2703-002723	INDUCTOR-SMD;22UH,10%,2012	1	SA	
CN703	3708-002525	CONNECTOR-FPC/FFC/PIC;18P,0.5m	1	SA		L604	2703-002724	INDUCTOR-SMD;10uH,10%,2012	1	SA	
CNR01	3708-002322	CONNECTOR-FPC/FFC/PIC;15,0.5mm	1	SA		L704	AD27-00013A	COIL CHOKE;R-12W450EE,C4-K1.8R	1	SA	
CNR02	3708-002454	CONNECTOR-FPC/FFC/PIC;16P,0.5m	1	SA		L706	AD27-00013A	COIL CHOKE;R-12W450EE,C4-K1.8R	1	SA	
CNR03	3711-006726	HEADER-BATTERY;NOWALL,2P,1R,3.	1	SA		L708	AD27-00016A	COIL CHOKE;R-12W450EE,C4-K1.8R	1	SA	
CNV01	3711-006445	HEADER-BOARD TO BOARD;BOX,20P,	1	SA		L714	AD27-00013A	COIL CHOKE;R-12W450EE,C4-K1.8R	1	SA	
CNZ01	3708-002327	CONNECTOR-FPC/FFC/PIC;22P,0.5m	1	SA		L717	AD27-00016A	COIL CHOKE;R-12W450EL,C4-K1.8R	1	SA	
CR01	2203-000254	C-CER,CHIP;10nF,10%,16V,X7R,10	1	SA		L719	AD27-00016A	COIL CHOKE;R-12W450EL,C4-K1.8R	1	SA	
CR02	2203-006048	C-CER,CHIP;100nF,10%,10V,X7R,1	1	SA		L722	2703-002723	INDUCTOR-SMD;22UH,10%,2012	1	SA	
CR04	2203-006048	C-CER,CHIP;100nF,10%,10V,X7R,1	1	SA		L723	2007-000029	R-CHIP;0ohm,5%,1/8W,TP,2012	1	SA	
CV01	2203-006336	C-CER,CHIP;10000nF,10%,25V,X5R	1	SA		L729	2703-002723	INDUCTOR-SMD;22UH,10%,2012	1	SA	
CV02	2203-002793	C-CER,CHIP;1000nF,+80-20%,25V,	1	SA		L730	2007-000070	R-CHIP;0ohm,5%,1/10W,TP,1608	1	SA	
CV11	2203-005834	C-CER,CHIP;2200nF,+80-20%,10V	1	SA		L735	2703-002724	INDUCTOR-SMD;10uH,10%,2012	1	SA	
CZ01	2203-006361	C-CER,CHIP;10000nF,10%,10V,X5R	1	SA		LA01	2703-002724	INDUCTOR-SMD;10uH,10%,2012	1	SA	
CZ02	2203-006048	C-CER,CHIP;100nF,10%,10V,X7R,1	1	SA		LZ01	2703-002723	INDUCTOR-SMD;22UH,10%,2012	1	SA	
CZ03	2203-006048	C-CER,CHIP;100nF,10%,10V,X7R,1	1	SA							

Loc.No	Loc.No	Description : Specification	Q'ty	S.N.A	Remark	Loc.No	Loc.No	Description : Specification	Q'ty	S.N.A	Remark
PS701	3601-001331	FUSE-SURFACE MOUNT;32V,1.25A,S	1	SA		R126	2007-000140	R-CHIP;1Kohm,5%,1/16W,TP,1005	1	SA	
PS702	3601-001331	FUSE-SURFACE MOUNT;32V,1.25A,S	1	SA		R127	2007-000982	R-CHIP;5.6Kohm,5%,1/16W,TP,100	1	SA	
Q101	0501-002128	TR-SMALL SIGNAL;KTC4075,NPN,10	1	SA		R128	2007-000140	R-CHIP;1Kohm,5%,1/16W,TP,1005	1	SA	
Q103	0504-000168	TR-DIGITAL;RN1104,NPN,100mW,47	1	SA		R151	2007-000138	R-CHIP;100ohm,5%,1/16W,TP,1005	1	SA	
Q401	0504-000167	TR-DIGITAL;RN1102,NPN,100mW,10	1	SA		R204	2007-007311	R-CHIP;22Kohm,1%,1/16W,TP,1005	1	SA	
Q501	0501-000552	TR-SMALL SIGNAL;2SA1774-Q,PNP,	1	SA		R205	2007-001333	R-CHIP;18Kohm,5%,1/16W,TP,1005	1	SA	
Q605	0504-001101	TR-DIGITAL;EMD2,NPN/PNP,150mW,	1	SA		R206	2007-008015	R-CHIP;75ohm,1%,1/16W,TP,1005	1	SA	
Q606	0501-002373	TR-SMALL SIGNAL;EMX2,NPN,150MW	1	SA		R207	2007-003112	R-CHIP;27ohm,5%,1/16W,TP,1005	1	SA	
Q607	0501-002373	TR-SMALL SIGNAL;EMX2,NPN,150MW	1	SA		R209	2007-000140	R-CHIP;1Kohm,5%,1/16W,TP,1005	1	SA	
Q703	0505-001971	FET-SILICON;SCH2808,N,30V,1.4A	1	SA		R210	2007-000142	R-CHIP;2.7Kohm,5%,1/16W,TP,100	1	SA	
Q704	0505-001970	FET/SBD;SCH2810,P,-12V,-1.3A,0	1	SA		R211	2007-000164	R-CHIP;150Kohm,5%,1/16W,TP,100	1	SA	
Q705	0505-001970	FET/SBD;SCH2810,P,-12V,-1.3A,0	1	SA		R212	2007-008015	R-CHIP;75ohm,1%,1/16W,TP,1005	1	SA	
Q706	0505-001970	FET/SBD;SCH2810,P,-12V,-1.3A,0	1	SA		R213	2007-000142	R-CHIP;2.7Kohm,5%,1/16W,TP,100	1	SA	
Q707	0505-001970	FET/SBD;SCH2810,P,-12V,-1.3A,0	1	SA		R214	2007-000164	R-CHIP;150Kohm,5%,1/16W,TP,100	1	SA	
Q708	0505-001970	FET/SBD;SCH2810,P,-12V,-1.3A,0	1	SA		R215	2007-001306	R-CHIP;150ohm,5%,1/16W,TP,1005	1	SA	
Q714	0502-001266	TR-POWER;KTA1532T,PNP,900mW,TS	1	SA		R216	2007-000142	R-CHIP;2.7Kohm,5%,1/16W,TP,100	1	SA	
Q717	0501-000552	TR-SMALL SIGNAL;2SA1774-Q,PNP,	1	SA		R217	2007-000164	R-CHIP;150Kohm,5%,1/16W,TP,100	1	SA	
Q719	0504-001102	TR-DIGITAL;EMD3,NPN/PNP,150mW,	1	SA		R222	2007-008391	R-CHIP;6.34Kohm,1%,1/16W,TP,10	1	SA	
Q722	0501-002373	TR-SMALL SIGNAL;EMX2,NPN,150MW	1	SA		R2220	2007-001306	R-CHIP;150ohm,5%,1/16W,TP,1005	1	SA	
Q727	0504-001102	TR-DIGITAL;EMD3,NPN/PNP,150mW,	1	SA		R2221	2007-007095	R-CHIP;390ohm,5%,1/16W,TP,1005	1	SA	
Q728	0504-001102	TR-DIGITAL;EMD3,NPN/PNP,150mW,	1	SA		R225	2007-008301	R-CHIP;56.2ohm,1%,1/16W,TP,100	1	SA	
Q731	0501-000552	TR-SMALL SIGNAL;2SA1774-Q,PNP,	1	SA		R226	2007-008300	R-CHIP;5.11Kohm,1%,1/16W,TP,10	1	SA	
QA01	0506-001066	TR-ARRAY;UMF5,NPN/PNP,2,150mW,	1	SA		R227	2007-008301	R-CHIP;56.2ohm,1%,1/16W,TP,100	1	SA	
QR01	0504-001025	TR-DIGITAL;DTC143EE,NPN,150mW,	1	SA		R228	2007-008301	R-CHIP;56.2ohm,1%,1/16W,TP,100	1	SA	
QR02	0504-000168	TR-DIGITAL;RN1104,NPN,100mW,47	1	SA		R229	2007-008301	R-CHIP;56.2ohm,1%,1/16W,TP,100	1	SA	
QR03	0504-001025	TR-DIGITAL;DTC143EE,NPN,150mW,	1	SA		R295	2007-000162	R-CHIP;100Kohm,5%,1/16W,TP,100	1	SA	
QR04	0504-001025	TR-DIGITAL;DTC143EE,NPN,150mW,	1	SA		R296	2007-000162	R-CHIP;100Kohm,5%,1/16W,TP,100	1	SA	
QR05	0504-001025	TR-DIGITAL;DTC143EE,NPN,150mW,	1	SA		R297	2007-000162	R-CHIP;100Kohm,5%,1/16W,TP,100	1	SA	
QR06	0504-000168	TR-DIGITAL;RN1104,NPN,100mW,47	1	SA		R304	2007-000171	R-CHIP;0ohm,5%,1/16W,TP,1005	1	SA	
QR07	0504-000168	TR-DIGITAL;RN1104,NPN,100mW,47	1	SA		R314	2007-001325	R-CHIP;3.3Kohm,5%,1/16W,TP,100	1	SA	
QR08	0502-001266	TR-POWER;KTA1532T,PNP,900mW,TS	1	SA		R315	2203-000234	C-CER,CHIP;0.1NF,5%,50V,COG,TP	1	SA	
QR09	0504-000168	TR-DIGITAL;RN1104,NPN,100mW,47	1	SA		R316	2203-000234	C-CER,CHIP;0.1NF,5%,50V,COG,TP	1	SA	
QR10	0505-002153	FET/SBD;VEC2819,P,-20V,-3.5A,0	1	SA		R351	2007-000148	R-CHIP;10Kohm,5%,1/16W,TP,1005	1	SA	
QR11	0504-000168	TR-DIGITAL;RN1104,NPN,100mW,47	1	SA		R352	2007-000148	R-CHIP;10Kohm,5%,1/16W,TP,1005	1	SA	
QR12	0504-000168	TR-DIGITAL;RN1104,NPN,100mW,47	1	SA		R355	2007-001292	R-CHIP;33ohm,5%,1/16W,TP,1005	1	SA	
QR13	0504-000168	TR-DIGITAL;RN1104,NPN,100mW,47	1	SA		R356	2007-001292	R-CHIP;33ohm,5%,1/16W,TP,1005	1	SA	
QR14	0504-001102	TR-DIGITAL;EMD3,NPN/PNP,150mW,	1	SA		R358	2007-000171	R-CHIP;0ohm,5%,1/16W,TP,1005	1	SA	
QR15	0502-001266	TR-POWER;KTA1532T,PNP,900mW,TS	1	SA		R359	2007-001292	R-CHIP;33ohm,5%,1/16W,TP,1005	1	SA	
QZ01	0501-000225	TR-SMALL SIGNAL;2SC4617,NPN,20	1	SA		R360	2007-000142	R-CHIP;2.7Kohm,5%,1/16W,TP,100	1	SA	
QZ02	0504-001025	TR-DIGITAL;DTC143EE,NPN,150mW,	1	SA		R401	2007-000162	R-CHIP;100Kohm,5%,1/16W,TP,100	1	SA	
QZ03	0506-001066	TR-ARRAY;UMF5,NPN/PNP,2,150mW,	1	SA		R402	2007-000162	R-CHIP;100Kohm,5%,1/16W,TP,100	1	SA	
QZ04	0506-001066	TR-ARRAY;UMF5,NPN/PNP,2,150mW,	1	SA		R403	2007-000139	R-CHIP;220ohm,5%,1/16W,TP,1005	1	SA	
R101	2007-001319	R-CHIP;1.2Kohm,5%,1/16W,TP,100	1	SA		R404	2007-001311	R-CHIP;270ohm,5%,1/16W,TP,1005	1	SA	
R102	2007-007001	R-CHIP;3.9Kohm,5%,1/16W,TP,100	1	SA		R406	2007-000159	R-CHIP;56Kohm,5%,1/16W,TP,1005	1	SA	
R106	2007-007470	R-CHIP;7.5Kohm,1%,1/16W,TP,100	1	SA		R407	2007-007142	R-CHIP;10Kohm,1%,1/16W,TP,1005	1	SA	
R107	2007-000141	R-CHIP;2.2Kohm,5%,1/16W,TP,100	1	SA		R408	2007-000139	R-CHIP;220ohm,5%,1/16W,TP,1005	1	SA	
R108	2007-007001	R-CHIP;3.9Kohm,5%,1/16W,TP,100	1	SA		R409	2007-000139	R-CHIP;220ohm,5%,1/16W,TP,1005	1	SA	
R110	2007-007138	R-CHIP;27Kohm,1%,1/16W,TP,1005	1	SA		R410	2007-000139	R-CHIP;220ohm,5%,1/16W,TP,1005	1	SA	
R111	2007-000141	R-CHIP;2.2Kohm,5%,1/16W,TP,100	1	SA		R413	2007-000157	R-CHIP;47Kohm,5%,1/16W,TP,1005	1	SA	
R112	2007-000140	R-CHIP;1Kohm,5%,1/16W,TP,1005	1	SA		R414	2007-000155	R-CHIP;27Kohm,5%,1/16W,TP,1005	1	SA	
R113	2007-000159	R-CHIP;56Kohm,5%,1/16W,TP,1005	1	SA		R417	2007-000157	R-CHIP;47Kohm,5%,1/16W,TP,1005	1	SA	
R114	2007-007138	R-CHIP;27Kohm,1%,1/16W,TP,1005	1	SA		R418	2007-000155	R-CHIP;27Kohm,5%,1/16W,TP,1005	1	SA	
R115	2007-007095	R-CHIP;390ohm,5%,1/16W,TP,1005	1	SA		R429	2007-002425	R-CHIP;1ohm,5%,1/10W,TP,1608	1	SA	
R116	2007-000139	R-CHIP;220ohm,5%,1/16W,TP,1005	1	SA		R430	2007-002425	R-CHIP;1ohm,5%,1/10W,TP,1608	1	SA	
R117	2007-000140	R-CHIP;1Kohm,5%,1/16W,TP,1005	1	SA		R436	2007-000775	R-CHIP;33Kohm,5%,1/16W,TP,1005	1	SA	
R119	2007-007309	R-CHIP;12Kohm,1%,1/16W,TP,1005	1	SA		R437	2007-000775	R-CHIP;33Kohm,5%,1/16W,TP,1005	1	SA	
R123	2007-007309	R-CHIP;12Kohm,1%,1/16W,TP,1005	1	SA		R443	2007-000159	R-CHIP;56Kohm,5%,1/16W,TP,1005	1	SA	
R124	2007-000138	R-CHIP;100ohm,5%,1/16W,TP,1005	1	SA		R444	2007-000159	R-CHIP;56Kohm,5%,1/16W,TP,1005	1	SA	
R125	2007-000982	R-CHIP;5.6Kohm,5%,1/16W,TP,100	1	SA		R449	2007-000153	R-CHIP;22Kohm,5%,1/16W,TP,1005	1	SA	

Exploded Views and Parts List

Loc.No	Loc.No	Description : Specification	Q'ty	S.N.A	Remark	Loc.No	Loc.No	Description : Specification	Q'ty	S.N.A	Remark
R450	2007-001341	R-CHIP;680Kohm,5%,1/16W,TP,100	1	SA		R556	2007-000140	R-CHIP;1Kohm,5%,1/16W,TP,1005	1	SA	
R452	2007-000170	R-CHIP;1Mohm,5%,1/16W,TP,1005	1	SA		R557	2007-000162	R-CHIP;100Kohm,5%,1/16W,TP,100	1	SA	
R453	2007-000153	R-CHIP;22Kohm,5%,1/16W,TP,1005	1	SA		R558	2007-000140	R-CHIP;1Kohm,5%,1/16W,TP,1005	1	SA	
R470	2007-000140	R-CHIP;1Kohm,5%,1/16W,TP,1005	1	SA		R559	2007-000140	R-CHIP;1Kohm,5%,1/16W,TP,1005	1	SA	
R471	2007-007310	R-CHIP;8.2Kohm,1%,1/16W,TP,100	1	SA		R5601	2007-000162	R-CHIP;100Kohm,5%,1/16W,TP,100	1	SA	
R472	2007-000140	R-CHIP;1Kohm,5%,1/16W,TP,1005	1	SA		R5602	2007-000162	R-CHIP;100Kohm,5%,1/16W,TP,100	1	SA	
R501	2007-000162	R-CHIP;100Kohm,5%,1/16W,TP,100	1	SA		R561	2007-000162	R-CHIP;100Kohm,5%,1/16W,TP,100	1	SA	
R502	2007-000140	R-CHIP;1Kohm,5%,1/16W,TP,1005	1	SA		R562	2007-000162	R-CHIP;100Kohm,5%,1/16W,TP,100	1	SA	
R505	2007-000162	R-CHIP;100Kohm,5%,1/16W,TP,100	1	SA		R567	2007-000162	R-CHIP;100Kohm,5%,1/16W,TP,100	1	SA	
R506	2007-000140	R-CHIP;1Kohm,5%,1/16W,TP,1005	1	SA		R568	2007-000162	R-CHIP;100Kohm,5%,1/16W,TP,100	1	SA	
R507	2007-000162	R-CHIP;100Kohm,5%,1/16W,TP,100	1	SA		R569	2007-001325	R-CHIP;3.3Kohm,5%,1/16W,TP,100	1	SA	
R508	2007-000140	R-CHIP;1Kohm,5%,1/16W,TP,1005	1	SA		R570	2007-000140	R-CHIP;1Kohm,5%,1/16W,TP,1005	1	SA	
R509	2007-000162	R-CHIP;100Kohm,5%,1/16W,TP,100	1	SA		R571	2007-000162	R-CHIP;100Kohm,5%,1/16W,TP,100	1	SA	
R5106	2007-000162	R-CHIP;100Kohm,5%,1/16W,TP,100	1	SA		R575	2007-000141	R-CHIP;2.2Kohm,5%,1/16W,TP,100	1	SA	
R5107	2007-000148	R-CHIP;10Kohm,5%,1/16W,TP,1005	1	SA		R576	2007-000157	R-CHIP;47Kohm,5%,1/16W,TP,1005	1	SA	
R5108	2007-000148	R-CHIP;10Kohm,5%,1/16W,TP,1005	1	SA		R577	2007-001325	R-CHIP;3.3Kohm,5%,1/16W,TP,100	1	SA	
R5109	2007-000148	R-CHIP;10Kohm,5%,1/16W,TP,1005	1	SA		R584	2007-000140	R-CHIP;1Kohm,5%,1/16W,TP,1005	1	SA	
R511	2007-000162	R-CHIP;100Kohm,5%,1/16W,TP,100	1	SA		R585	2007-000162	R-CHIP;100Kohm,5%,1/16W,TP,100	1	SA	
R5110	2007-000148	R-CHIP;10Kohm,5%,1/16W,TP,1005	1	SA		R586	2007-000140	R-CHIP;1Kohm,5%,1/16W,TP,1005	1	SA	
R5111	2007-000170	R-CHIP;1Mohm,5%,1/16W,TP,1005	1	SA		R587	2007-000162	R-CHIP;100Kohm,5%,1/16W,TP,100	1	SA	
R5112	2007-000140	R-CHIP;1Kohm,5%,1/16W,TP,1005	1	SA		R589	2007-000162	R-CHIP;100Kohm,5%,1/16W,TP,100	1	SA	
R5121	2007-000140	R-CHIP;1Kohm,5%,1/16W,TP,1005	1	SA		R591	2007-000140	R-CHIP;1Kohm,5%,1/16W,TP,1005	1	SA	
R5124	2007-000162	R-CHIP;100Kohm,5%,1/16W,TP,100	1	SA		R592	2007-001325	R-CHIP;3.3Kohm,5%,1/16W,TP,100	1	SA	
R5132	2007-000162	R-CHIP;100Kohm,5%,1/16W,TP,100	1	SA		R594	2007-000140	R-CHIP;1Kohm,5%,1/16W,TP,1005	1	SA	
R5134	2007-000148	R-CHIP;10Kohm,5%,1/16W,TP,1005	1	SA		R595	2007-000162	R-CHIP;100Kohm,5%,1/16W,TP,100	1	SA	
R5139	2007-000140	R-CHIP;1Kohm,5%,1/16W,TP,1005	1	SA		R596	2007-000140	R-CHIP;1Kohm,5%,1/16W,TP,1005	1	SA	
R5140	2007-000138	R-CHIP;100ohm,5%,1/16W,TP,1005	1	SA		R597	2007-000162	R-CHIP;100Kohm,5%,1/16W,TP,100	1	SA	
R5148	2007-000148	R-CHIP;10Kohm,5%,1/16W,TP,1005	1	SA		R598	2007-000140	R-CHIP;1Kohm,5%,1/16W,TP,1005	1	SA	
R5149	2007-000140	R-CHIP;1Kohm,5%,1/16W,TP,1005	1	SA		R599	2007-000162	R-CHIP;100Kohm,5%,1/16W,TP,100	1	SA	
R515	2007-000140	R-CHIP;1Kohm,5%,1/16W,TP,1005	1	SA		R603	2007-008015	R-CHIP;75ohm,1%,1/16W,TP,1005	1	SA	
R5150	2007-000140	R-CHIP;1Kohm,5%,1/16W,TP,1005	1	SA		R604	2007-000141	R-CHIP;2.2Kohm,5%,1/16W,TP,100	1	SA	
R5151	2007-000148	R-CHIP;10Kohm,5%,1/16W,TP,1005	1	SA		R605	2007-000141	R-CHIP;2.2Kohm,5%,1/16W,TP,100	1	SA	
R5152	2007-000138	R-CHIP;100ohm,5%,1/16W,TP,1005	1	SA		R606	2007-000141	R-CHIP;2.2Kohm,5%,1/16W,TP,100	1	SA	
R5153	2007-000138	R-CHIP;100ohm,5%,1/16W,TP,1005	1	SA		R607	2007-000141	R-CHIP;2.2Kohm,5%,1/16W,TP,100	1	SA	
R5154	2007-000162	R-CHIP;100Kohm,5%,1/16W,TP,100	1	SA		R611	2007-000141	R-CHIP;2.2Kohm,5%,1/16W,TP,100	1	SA	
R516	2007-000140	R-CHIP;1Kohm,5%,1/16W,TP,1005	1	SA		R612	2007-000141	R-CHIP;2.2Kohm,5%,1/16W,TP,100	1	SA	
R517	2007-000162	R-CHIP;100Kohm,5%,1/16W,TP,100	1	SA		R613	2007-000140	R-CHIP;1Kohm,5%,1/16W,TP,1005	1	SA	
R5172	2007-000162	R-CHIP;100Kohm,5%,1/16W,TP,100	1	SA		R614	2007-000140	R-CHIP;1Kohm,5%,1/16W,TP,1005	1	SA	
R5173	2007-000162	R-CHIP;100Kohm,5%,1/16W,TP,100	1	SA		R615	2007-000157	R-CHIP;47Kohm,5%,1/16W,TP,1005	1	SA	
R5174	2007-000137	R-CHIP;2Kohm,5%,1/16W,TP,1005	1	SA		R616	2007-000157	R-CHIP;47Kohm,5%,1/16W,TP,1005	1	SA	
R518	2007-000140	R-CHIP;1Kohm,5%,1/16W,TP,1005	1	SA		R617	2007-000141	R-CHIP;2.2Kohm,5%,1/16W,TP,100	1	SA	
R519	2007-000162	R-CHIP;100Kohm,5%,1/16W,TP,100	1	SA		R618	2007-000141	R-CHIP;2.2Kohm,5%,1/16W,TP,100	1	SA	
R5200	2007-000140	R-CHIP;1Kohm,5%,1/16W,TP,1005	1	SA		R702	2007-008417	R-CHIP;34Kohm,1%,1/16W,TP,1005	1	SA	
R525	2007-000162	R-CHIP;100Kohm,5%,1/16W,TP,100	1	SA		R703	2007-000160	R-CHIP;68Kohm,5%,1/16W,TP,1005	1	SA	
R529	2007-000162	R-CHIP;100Kohm,5%,1/16W,TP,100	1	SA		R705	2007-007309	R-CHIP;12Kohm,1%,1/16W,TP,1005	1	SA	
R5301	2007-000171	R-CHIP;0ohm,5%,1/16W,TP,1005	1	SA		R706	2007-000168	R-CHIP;470Kohm,5%,1/16W,TP,100	1	SA	
R5303	2007-000171	R-CHIP;0ohm,5%,1/16W,TP,1005	1	SA		R707	2007-000168	R-CHIP;470Kohm,5%,1/16W,TP,100	1	SA	
R532	2007-000148	R-CHIP;10Kohm,5%,1/16W,TP,1005	1	SA		R708	2007-000152	R-CHIP;20Kohm,5%,1/16W,TP,1005	1	SA	
R536	2007-000140	R-CHIP;1Kohm,5%,1/16W,TP,1005	1	SA		R709	2007-000162	R-CHIP;100Kohm,5%,1/16W,TP,100	1	SA	
R540	2007-000162	R-CHIP;100Kohm,5%,1/16W,TP,100	1	SA		R710	2007-007946	R-CHIP;470Kohm,1%,1/16W,TP,100	1	SA	
R543	2007-000162	R-CHIP;100Kohm,5%,1/16W,TP,100	1	SA		R711	2007-007132	R-CHIP;15Kohm,1%,1/16W,TP,1005	1	SA	
R544	2007-000162	R-CHIP;100Kohm,5%,1/16W,TP,100	1	SA		R712	2007-007470	R-CHIP;7.5Kohm,1%,1/16W,TP,100	1	SA	
R545	2007-000148	R-CHIP;10Kohm,5%,1/16W,TP,1005	1	SA		R715	2007-001219	R-CHIP;82ohm,5%,1/4W,TP,3216	1	SA	
R546	2007-000148	R-CHIP;10Kohm,5%,1/16W,TP,1005	1	SA		R718	2007-000153	R-CHIP;22Kohm,5%,1/16W,TP,1005	1	SA	
R550	2007-000140	R-CHIP;1Kohm,5%,1/16W,TP,1005	1	SA		R719	2007-000148	R-CHIP;10Kohm,5%,1/16W,TP,1005	1	SA	
R5503	2007-000171	R-CHIP;0ohm,5%,1/16W,TP,1005	1	SA		R720	2007-000148	R-CHIP;10Kohm,5%,1/16W,TP,1005	1	SA	
R5504	2007-000171	R-CHIP;0ohm,5%,1/16W,TP,1005	1	SA		R728	2007-007107	R-CHIP;100Kohm,1%,1/16W,TP,100	1	SA	
R5505	2007-000171	R-CHIP;0ohm,5%,1/16W,TP,1005	1	SA		R729	2007-007142	R-CHIP;10Kohm,1%,1/16W,TP,1005	1	SA	
R551	2007-000162	R-CHIP;100Kohm,5%,1/16W,TP,100	1	SA		R730	2007-007107	R-CHIP;100Kohm,1%,1/16W,TP,100	1	SA	

Exploded Views and Parts List

Loc.No	Loc.No	Description : Specification	Q'ty	S.N.A	Remark	Loc.No	Loc.No	Description : Specification	Q'ty	S.N.A	Remark
R731	2007-001333	R-CHIP;18Kohm,5%,1/16W,TP,1005	1	SA		RD44	2007-000148	R-CHIP;10Kohm,5%,1/16W,TP,1005	1	SA	
R732	2007-007312	R-CHIP;20Kohm,1%,1/16W,TP,1005	1	SA		RD45	2007-000148	R-CHIP;10Kohm,5%,1/16W,TP,1005	1	SA	
R734	2007-001333	R-CHIP;18Kohm,5%,1/16W,TP,1005	1	SA		RD53	2007-000162	R-CHIP;100Kohm,5%,1/16W,TP,100	1	SA	
R735	2007-000153	R-CHIP;22Kohm,5%,1/16W,TP,1005	1	SA		RD54	2007-000162	R-CHIP;100Kohm,5%,1/16W,TP,100	1	SA	
R743	2007-000162	R-CHIP;100Kohm,5%,1/16W,TP,100	1	SA		RD55	2007-000148	R-CHIP;10Kohm,5%,1/16W,TP,1005	1	SA	
R746	2007-000148	R-CHIP;10Kohm,5%,1/16W,TP,1005	1	SA		RD56	2007-000160	R-CHIP;68Kohm,5%,1/16W,TP,1005	1	SA	
R747	2007-000148	R-CHIP;10Kohm,5%,1/16W,TP,1005	1	SA		RD57	2007-000160	R-CHIP;68Kohm,5%,1/16W,TP,1005	1	SA	
R748	2007-000148	R-CHIP;10Kohm,5%,1/16W,TP,1005	1	SA		RD58	2007-000160	R-CHIP;68Kohm,5%,1/16W,TP,1005	1	SA	
R749	2007-008417	R-CHIP;34Kohm,1%,1/16W,TP,1005	1	SA		RD59	2007-000160	R-CHIP;68Kohm,5%,1/16W,TP,1005	1	SA	
R750	2007-007309	R-CHIP;12Kohm,1%,1/16W,TP,1005	1	SA		RD61	2007-000138	R-CHIP;100ohm,5%,1/16W,TP,1005	1	SA	
R751	2007-000932	R-CHIP;470ohm,5%,1/16W,TP,1005	1	SA		RM01	2007-000148	R-CHIP;10Kohm,5%,1/16W,TP,1005	1	SA	
R752	2007-007309	R-CHIP;12Kohm,1%,1/16W,TP,1005	1	SA		RM02	2007-000171	R-CHIP;0ohm,5%,1/16W,TP,1005	1	SA	
R753	2007-007311	R-CHIP;22Kohm,1%,1/16W,TP,1005	1	SA		RM03	2007-000157	R-CHIP;47Kohm,5%,1/16W,TP,1005	1	SA	
R754	2007-000140	R-CHIP;1Kohm,5%,1/16W,TP,1005	1	SA		RM04	2007-000157	R-CHIP;47Kohm,5%,1/16W,TP,1005	1	SA	
R755	2007-007313	R-CHIP;6.8Kohm,1%,1/16W,TP,100	1	SA		RM05	2007-000171	R-CHIP;0ohm,5%,1/16W,TP,1005	1	SA	
R756	2007-007138	R-CHIP;27Kohm,1%,1/16W,TP,1005	1	SA		RM06	2007-000171	R-CHIP;0ohm,5%,1/16W,TP,1005	1	SA	
R757	2007-001313	R-CHIP;330ohm,5%,1/16W,TP,1005	1	SA		RM07	2007-000171	R-CHIP;0ohm,5%,1/16W,TP,1005	1	SA	
R758	2007-001313	R-CHIP;330ohm,5%,1/16W,TP,1005	1	SA		RM08	2007-000140	R-CHIP;1Kohm,5%,1/16W,TP,1005	1	SA	
R759	2007-001313	R-CHIP;330ohm,5%,1/16W,TP,1005	1	SA		RR01	2007-000162	R-CHIP;100Kohm,5%,1/16W,TP,100	1	SA	
R786	2007-000142	R-CHIP;2.7Kohm,5%,1/16W,TP,100	1	SA		RR02	2007-000170	R-CHIP;1Mohm,5%,1/16W,TP,1005	1	SA	
R787	2007-007312	R-CHIP;20Kohm,1%,1/16W,TP,1005	1	SA		RR03	2007-008596	R-CHIP;0.1ohm,1%,1/4W,TP,3216	1	SA	
R788	2007-007142	R-CHIP;10Kohm,1%,1/16W,TP,1005	1	SA		RR04	2007-007318	R-CHIP;1Kohm,1%,1/16W,TP,1005	1	SA	
R789	2007-000162	R-CHIP;100Kohm,5%,1/16W,TP,100	1	SA		RR05	2007-000151	R-CHIP;15Kohm,5%,1/16W,TP,1005	1	SA	
RA01	2007-000083	R-CHIP;3Kohm,5%,1/10W,TP,1608	1	SA		RR06	2007-007318	R-CHIP;1Kohm,1%,1/16W,TP,1005	1	SA	
RA02	2007-000140	R-CHIP;1Kohm,5%,1/16W,TP,1005	1	SA		RR07	2007-007946	R-CHIP;470Kohm,1%,1/16W,TP,100	1	SA	
RA05	2007-000153	R-CHIP;22Kohm,5%,1/16W,TP,1005	1	SA		RR09	2007-001305	R-CHIP;120ohm,5%,1/16W,TP,1005	1	SA	
RA06	2007-001325	R-CHIP;3.3Kohm,5%,1/16W,TP,100	1	SA		RR10	2007-001323	R-CHIP;3Kohm,5%,1/16W,TP,1005	1	SA	
RD01	2007-000139	R-CHIP;220ohm,5%,1/16W,TP,1005	1	SA		RR11	2007-001320	R-CHIP;1.8Kohm,5%,1/16W,TP,100	1	SA	
RD02	2007-000172	R-CHIP;10ohm,5%,1/16W,TP,1005	1	SA		RR12	2007-001198	R-CHIP;820ohm,1%,1/8W,TP,2012	1	SA	
RD03	2007-000172	R-CHIP;10ohm,5%,1/16W,TP,1005	1	SA		RR13	2007-001198	R-CHIP;820ohm,1%,1/8W,TP,2012	1	SA	
RD04	2007-000172	R-CHIP;10ohm,5%,1/16W,TP,1005	1	SA		RR14	2007-000148	R-CHIP;10Kohm,5%,1/16W,TP,1005	1	SA	
RD05	2007-000172	R-CHIP;10ohm,5%,1/16W,TP,1005	1	SA		RR15	2007-007313	R-CHIP;6.8Kohm,1%,1/16W,TP,100	1	SA	
RD06	2007-000172	R-CHIP;10ohm,5%,1/16W,TP,1005	1	SA		RR16	2007-007001	R-CHIP;3.9Kohm,5%,1/16W,TP,100	1	SA	
RD07	2007-000162	R-CHIP;100Kohm,5%,1/16W,TP,100	1	SA		RR17	2007-001305	R-CHIP;120ohm,5%,1/16W,TP,1005	1	SA	
RD08	2007-000162	R-CHIP;100Kohm,5%,1/16W,TP,100	1	SA		RR18	2007-001305	R-CHIP;120ohm,5%,1/16W,TP,1005	1	SA	
RD12	2007-000140	R-CHIP;1Kohm,5%,1/16W,TP,1005	1	SA		RR19	2007-001305	R-CHIP;120ohm,5%,1/16W,TP,1005	1	SA	
RD13	2007-000138	R-CHIP;100ohm,5%,1/16W,TP,1005	1	SA		RR20	2007-001319	R-CHIP;1.2Kohm,5%,1/16W,TP,100	1	SA	
RD14	2007-000162	R-CHIP;100Kohm,5%,1/16W,TP,100	1	SA		RR21	2007-000160	R-CHIP;68Kohm,5%,1/16W,TP,1005	1	SA	
RD16	2007-000138	R-CHIP;100ohm,5%,1/16W,TP,1005	1	SA		RR22	2007-000162	R-CHIP;100Kohm,5%,1/16W,TP,100	1	SA	
RD17	2007-000171	R-CHIP;0ohm,5%,1/16W,TP,1005	1	SA		RR23	2007-000172	R-CHIP;10ohm,5%,1/16W,TP,1005	1	SA	
RD19	2007-000171	R-CHIP;0ohm,5%,1/16W,TP,1005	1	SA		RR24	2007-000148	R-CHIP;10Kohm,5%,1/16W,TP,1005	1	SA	
RD20	2007-000171	R-CHIP;0ohm,5%,1/16W,TP,1005	1	SA		RR25	2007-000148	R-CHIP;10Kohm,5%,1/16W,TP,1005	1	SA	
RD21	2007-000171	R-CHIP;0ohm,5%,1/16W,TP,1005	1	SA		RX03	2007-000148	R-CHIP;10Kohm,5%,1/16W,TP,1005	1	SA	
RD22	2007-000162	R-CHIP;100Kohm,5%,1/16W,TP,100	1	SA		RX07	2007-000148	R-CHIP;10Kohm,5%,1/16W,TP,1005	1	SA	
RD23	2007-000162	R-CHIP;100Kohm,5%,1/16W,TP,100	1	SA		RX09	2007-000148	R-CHIP;10Kohm,5%,1/16W,TP,1005	1	SA	
RD24	2007-000162	R-CHIP;100Kohm,5%,1/16W,TP,100	1	SA		RX10	2007-000148	R-CHIP;10Kohm,5%,1/16W,TP,1005	1	SA	
RD25	2007-000148	R-CHIP;10Kohm,5%,1/16W,TP,1005	1	SA		RX11	2007-000148	R-CHIP;10Kohm,5%,1/16W,TP,1005	1	SA	
RD26	2007-000148	R-CHIP;10Kohm,5%,1/16W,TP,1005	1	SA		RZ01	2007-000143	R-CHIP;4.7Kohm,5%,1/16W,TP,100	1	SA	
RD27	2007-000148	R-CHIP;10Kohm,5%,1/16W,TP,1005	1	SA		RZ02	2007-000162	R-CHIP;100Kohm,5%,1/16W,TP,100	1	SA	
RD28	2007-000162	R-CHIP;100Kohm,5%,1/16W,TP,100	1	SA		RZ03	2007-000148	R-CHIP;10Kohm,5%,1/16W,TP,1005	1	SA	
RD29	2007-000148	R-CHIP;10Kohm,5%,1/16W,TP,1005	1	SA		RZ04	2007-007001	R-CHIP;3.9Kohm,5%,1/16W,TP,100	1	SA	
RD30	2007-008391	R-CHIP;6.34Kohm,1%,1/16W,TP,10	1	SA		RZ05	2007-000153	R-CHIP;22Kohm,5%,1/16W,TP,1005	1	SA	
RD31	2007-007313	R-CHIP;6.8Kohm,1%,1/16W,TP,100	1	SA		RZ06	2007-007138	R-CHIP;27Kohm,1%,1/16W,TP,1005	1	SA	
RD34	2007-000162	R-CHIP;100Kohm,5%,1/16W,TP,100	1	SA		RZ07	2007-000156	R-CHIP;30Kohm,5%,1/16W,TP,1005	1	SA	
RD38	2007-000148	R-CHIP;10Kohm,5%,1/16W,TP,1005	1	SA		RZ08	2007-000162	R-CHIP;100Kohm,5%,1/16W,TP,100	1	SA	
RD39	2007-000148	R-CHIP;10Kohm,5%,1/16W,TP,1005	1	SA		RZ09	2007-000775	R-CHIP;33Kohm,5%,1/16W,TP,1005	1	SA	
RD40	2007-000162	R-CHIP;100Kohm,5%,1/16W,TP,100	1	SA		RZ10	2007-000636	R-CHIP;270Kohm,5%,1/16W,TP,100	1	SA	
RD41	2007-000148	R-CHIP;10Kohm,5%,1/16W,TP,1005	1	SA		RZ11	2007-000162	R-CHIP;100Kohm,5%,1/16W,TP,100	1	SA	
RD42	2007-000148	R-CHIP;10Kohm,5%,1/16W,TP,1005	1	SA		RZ12	2007-000157	R-CHIP;47Kohm,5%,1/16W,TP,1005	1	SA	
RD43	2007-000148	R-CHIP;10Kohm,5%,1/16W,TP,1005	1	SA							

Exploded Views and Parts List

Loc.No	Loc.No	Description : Specification	Q'ty	S.N.A	Remark	Loc.No	Loc.No	Description : Specification	Q'ty	S.N.A	Remark
RZ13	2007-000142	R-CHIP;2.7Kohm,5%,1/16W,TP,100	1	SA		FL051	3809-001341	CABLE-FLAT;30V,80C,30mm,16P,5	1	SA	
RZ14	2007-000164	R-CHIP;150Kohm,5%,1/16W,TP,100	1	SA		RCN01	3708-001840	CONNECTOR-FPC/FFC/PIC;16P,0.5M	1	SA	
RZ15	2007-000143	R-CHIP;4.7Kohm,5%,1/16W,TP,100	1	SA		RCN02	3711-002162	HEADER-BOARD TO CABLE;BOX,2P,1	1	SA	
RZ16	2007-000162	R-CHIP;100Kohm,5%,1/16W,TP,100	1	SA		RLD01	0601-002407	LED;SMD(TOP VIEW),orang/green,	1	SA	
RZ17	2007-001325	R-CHIP;3.3Kohm,5%,1/16W,TP,100	1	SA		RLD02	0601-002037	LED;SMD,BLUE,1.6x0.8x0.4mm,465	1	SA	
RZ18	2007-000153	R-CHIP;22Kohm,5%,1/16W,TP,1005	1	SA		RLD03	0601-002037	LED;SMD,BLUE,1.6x0.8x0.4mm,465	1	SA	
RZ19	2007-000143	R-CHIP;4.7Kohm,5%,1/16W,TP,100	1	SA		RSW01	3404-001327	SWITCH-TACT;12V DC,20mA,250gf,	1	SA	
RZ20	2007-001313	R-CHIP;330ohm,5%,1/16W,TP,1005	1	SA		RSW02	3409-001164	SWITCH-DETECTOR;DC 5V,1mA,-,50	1	SA	
RZ21	2007-000148	R-CHIP;10Kohm,5%,1/16W,TP,1005	1	SA		AD61-03104A		PLATE-REC;DRAGON4-PJ,C5201S-H,	1	SA	
RZ22	2007-000162	R-CHIP;100Kohm,5%,1/16W,TP,100	1	SA		P022 AD92-00162A	ASSY PCB-JACK BOARD;SC-D385/XA	1	SA		
RZ23	2007-001307	R-CHIP;180ohm,5%,1/16W,TP,1005	1	SA		CNJ01	3708-002322	CONNECTOR-FPC/FFC/PIC;15,0.5mm	1	SA	
RZ24	2007-001307	R-CHIP;180ohm,5%,1/16W,TP,1005	1	SA		UNJ01	3722-002003	JACK-IEEE1394,4P/1C,TIN,WHT,AN	1	SA	
RZ25	2007-000159	R-CHIP;56Kohm,5%,1/16W,TP,1005	1	SA		JNJ04	3722-001202	JACK-PHONE;7P,3.6PI,AG,YEL,NO	1	SA	
RZ26	2007-000159	R-CHIP;56Kohm,5%,1/16W,TP,1005	1	SA		LJ01	2703-002727	INDUCTOR-SMD;4.7uH,20%,2012	1	SA	
RZ28	2007-007312	R-CHIP;20Kohm,1%,1/16W,TP,1005	1	SA		LJ02	2703-002727	INDUCTOR-SMD;4.7uH,20%,2012	1	SA	
RZ30	2007-000153	R-CHIP;22Kohm,5%,1/16W,TP,1005	1	SA		RJ01	2007-000651	R-CHIP;27Kohm,1%,1/10W,TP,1608	1	SA	
RZ31	2007-000153	R-CHIP;22Kohm,5%,1/16W,TP,1005	1	SA		RJ04	2007-000309	R-CHIP;10ohm,5%,1/10W,TP,1608	1	SA	
RZ32	2007-001325	R-CHIP;3.3Kohm,5%,1/16W,TP,100	1	SA		SWJ01	3404-001327	SWITCH-TACT;12V DC,20mA,250gf,	1	SA	
RZ33	2007-001325	R-CHIP;3.3Kohm,5%,1/16W,TP,100	1	SA		SWJ02	3404-001287	SWITCH-TACT;12V,50mA,160gf,4.5	1	SA	
SWR01	3409-001035	SWITCH-DETECTOR;3-5V,50uA-10mA	1	SA		SWJ03	3404-001287	SWITCH-TACT;12V,50mA,160gf,4.5	1	SA	
X351	2801-004561	CRYSTAL-SMD;27MHz,30ppm,-,12pF	1	SA		VTR01	2102-000111	VR-SLIDE;10Kohm,20%,1/20W,SIDE	1	SA	
X501	2801-004577	CRYSTAL-SMD;13.5MHz,30ppm,-,12	1	SA		G314 AD97-13246A	ASSY-CCD;DRAGON4-PJ,PAL,ASSY-C	1	SA		
X502	2801-003856	CRYSTAL-SMD;0.032768MHz,20ppm,	1	SA		C594	AD61-02357A	PLATE-CCD;DRAGON2-PJ,AL,T1,W21	1	SA	
P004 AD92-00158A	ASSY PCB-LCD BOARD;SC-D385/XAA	1	SA		CC02	2203-000189	C-CER,CHIP;100nF,+80-20%,25V,Y	1	SA		
CL01	2203-005922	C-CER,CHIP;4700nF,20%,6.3V,X5R	1	SA		CC03	2203-000189	C-CER,CHIP;100nF,+80-20%,25V,Y	1	SA	
CL013	2203-000257	C-CER,CHIP;10nF,10%,50V,X7R,TP	1	SA		CC04	2203-000491	C-CER,CHIP;2.2nF,10%,50V,X7R,1	1	SA	
CL02	2203-002793	C-CER,CHIP;1000nF,+80-20%,25V,	1	SA		CC05	2203-000189	C-CER,CHIP;100nF,+80-20%,25V,Y	1	SA	
CL03	2203-002793	C-CER,CHIP;1000nF,+80-20%,25V,	1	SA		CC06	2203-000189	C-CER,CHIP;100nF,+80-20%,25V,Y	1	SA	
CL04	2203-002793	C-CER,CHIP;1000nF,+80-20%,25V,	1	SA		CN1	3710-002455	SOCKET-BOARD TO BOARD;20P,2R,0	1	SA	
CL05	2203-002793	C-CER,CHIP;1000nF,+80-20%,25V,	1	SA		DC01	0401-001054	DIODE-SWITCHING;KDS160,80V,100	1	SA	
CL06	2203-002793	C-CER,CHIP;1000nF,+80-20%,25V,	1	SA		P053	AD60-00053A	SPACER-CCD;ALPHA_PJ,SILICON,-,	1	SA	
CL07	2203-002793	C-CER,CHIP;1000nF,+80-20%,25V,	1	SA		QC01	0505-000180	FET-SILICON;2SK1070,N,-,50mA,-	1	SA	
CL08	2203-002793	C-CER,CHIP;1000nF,+80-20%,25V,	1	SA		RC01	2007-000072	R-CHIP;47ohm,5%,1/10W,TP,1608	1	SA	
CL09	2203-002793	C-CER,CHIP;1000nF,+80-20%,25V,	1	SA		RC02	2007-000083	R-CHIP;3Kohm,5%,1/10W,TP,1608	1	SA	
CL10	2203-002793	C-CER,CHIP;1000nF,+80-20%,25V,	1	SA		RC04	2007-000102	R-CHIP;100Kohm,5%,1/10W,TP,160	1	SA	
CL11	2203-002793	C-CER,CHIP;1000nF,+80-20%,25V,	1	SA		VS004	0605-001117	CCD;CCD,DIP-14,14P,8.2x8.2x2.4	1	SA	
CL12	2203-005065	C-CER,CHIP;1000nF,+80-20%,10V,	1	SA		W206	6001-001373	SCREW-MACHINE;PH,T0.5,+,-,M1.7	2	SA	
CL14	2203-000332	C-CER,CHIP;0.012nF,5%,50V,C0G,	1	SA		H006 AD97-12038A	ASSY-DECK;DD-4B,-,-	1	SA		
CL16	2203-005774	C-CER,CHIP;1000nF,+80-20%,50V,	1	SA		C047	AD63-00889A	COVER-HOUSING;DD-4A,ABS94HB,-,	1	SNA	
CNL01	3708-001603	CONNECTOR-FPC/FFC/PIC;24P,0.5M	1	SC		C353	AD97-10554A	ASSY-HOUSING;SECC+ETC,DD-4A,AS	1	SA	
CNL02	3708-002188	CONNECTOR-FPC/FFC/PIC;40P,0.5m	1	SA		C620	AD61-01196A	SPRING ETC-EJECT;DD-4,SWPB,-,-	1	SNA	
CNL03	3708-001148	CONNECTOR-FPC/FFC/PIC;6P,0.5MM	1	SA		C628	AD63-00409A	COVER-REEL;DD-4,POM DURACON AW	1	SNA	
RL01	2007-000651	R-CHIP;27Kohm,1%,1/10W,TP,1608	1	SA		H103	AD66-00219A	GEAR-PULLEY;DD-4,DURACON M90-4	1	SA	
RL02	2007-000828	R-CHIP;39Kohm,1%,1/10W,TP,1608	1	SA		H209	AD64-00954A	CHASSIS-SUB;DD-4,SUS304 CSP 1/	1	SNA	
RL03	2007-001206	R-CHIP;82Kohm,1%,1/10W,TP,1608	1	SA		M010	AD97-12041A	ASSY-MAIN CHASSIS,-,DD-4B,-,	1	SA	
RL04	2007-000633	R-CHIP;270Kohm,1%,1/10W,TP,160	1	SA		M012	AD66-00208A	GEAR-TENSION;DD-4,PBT3300,0.5,	1	SA	
SL01	1209-001585	IC-SENSOR;MRUS51S(U),SOT-223,3	1	SA		M013	AD66-00375A	GEAR-CAM MAIN;DD-4A,TS-25A,-,5	1	SA	
SL02	1209-001585	IC-SENSOR;MRUS51S(U),SOT-223,3	1	SA		M014	AD66-00212A	SLIDER-MAIN;DD-4,SUS430 CP.T0	1	SA	
SWL01	3404-001327	SWITCH-TACT;12V DC,20mA,250gf,	1	SA		M015	AD66-00211A	LEVER-EJECT;DD-4,DURACON MS-02	1	SA	
SWL02	3404-001327	SWITCH-TACT;12V DC,20mA,250gf,	1	SA		M016	AD97-10555A	ASSY-DRUM BASE RAIL;ASSY,DD-4A	1	SA	
SWL03	3404-001313	SWITCH-TACT;12V,50mA,160gf,7.6	1	SA		M017	AD97-12040A	ASSY-CAPSTAN MOTOR,-,DD-4B,-,	1	SA	
P009 AD92-00161B	ASSY PCB-REAR BOARD;DRAGON4-PJ	1	SA		M018	AD61-02336A	HOLDER-FPC SUB;DD-4A,DURACON M	1	SA		
BTR01	4302-001165	BATTERY-LI(2ND);3V,3.4mAh,-,10	1	SA							

Loc.No	Loc.No	Description : Specification	Q'ty	S.N.A	Remark	Loc.No	Loc.No	Description : Specification	Q'ty	S.N.A	Remark
M019	AD97-10579A	ASSY-DRUM;ASSY,DD-4A,TOE. COIL	1	SA		AD61-01157A		PLATE-REEL;DD-4,SUS631 3/4H,T0	1	SNA	
M020	AD97-06176B	ASSY-GUIDE ROLLER;Mold + ETC,D	1	SNA		AD61-01487A		SPRING ETC-REEL-T;DD-4,SUS304-	1	SNA	
M021	AD61-01483A	GUIDE-ROLLER;DD-4,POM,-,-,BL	1	SNA		AD66-00202A		GEAR-REEL T;DD-4,DURACON M90-4	1	SNA	
M022	AD61-00558A	PLATE-S/P BASE;DD-3,SUS632 CSP	1	SA		AD66-00225A		REEL-REFLECTOR;DD-4,POLYESTER,	1	SNA	
M023	AD66-00221A	PULLEY-BELT TIMING;DD-4,POLYUR	1	SA		AD81-00003A		WASHER-REEL;DD-4,-,-,-,-,-	1	SNA	
M024	AD66-00069A	GEAR-CAPSTAN;DD-3,DYAMID,0.4,2	1	SA		AD61-01158A		PLATE-IDLER;DD-4,SUS631 3/4H,T	1	SNA	
M030	AD97-12043A	ASSY-SUB CHASSIS;DD-4B,-,-	1	SA		AD61-01193A		HINGE-IDLER;DD-4,SUS303,-,-,-	1	SNA	
M032	AD97-10553A	ASSY-BRAKE T;ASSY,DD-4A,ASSY	1	SA		AD61-01181A		POST-ARM TENSION;DD-4,SUS420J2	1	SNA	
M033	AD97-06395A	ASSY-REEL-DISK S;ASSY,DD-4,-	1	SA		AD61-01182A		BUSH-TENSION;DD-4,C3604BD,ID1.	1	SNA	
M034	AD97-06396A	ASSY-REEL-DISK T;ASSY,DD-4,-	1	SA		AD61-01183A		STUD-GUIDE TENSION;DD-4,SUS303	1	SNA	
M035	AD97-06397A	ASSY-IDLER;ASSY,DD-4,-	1	SA		AD66-00192A		ARM-TENSION;DD-4,SUS304 CP,T0.	1	SNA	
M036	AD97-06401A	ASSY-ARM-TENSION,-,DD-4,ASSY	1	SA		AD70-00032A		ADJUST-TENSION;DD-4,DURACON M9	1	SNA	
M038	AD97-06402A	ASSY-ARM-REVIEW,-,DD-4,ASSY	1	SA		AD61-00532A		BUSH-REVIEW;DD-3,C3604BD,ID1.0	1	SNA	
M040	AD69-00425A	BAND PP;PLS-OTH-LUMIRROR,-,-,-	1	SNA		AD61-01180A		STUD-PIN REVIEW;DD-4,SUS303,-,	1	SNA	
M041	AD61-01194A	HOUSING-LOCK L;DD-4,DURACON M9	1	SA		AD66-00193A		ARM-REVIEW;DD-4,SUS304 CSP 1/2	1	SNA	
M042	AD61-01195A	HOUSING-LOCK R;DD-4,DURACON M9	1	SA		AD66-00224A		SHAFT-REVIEW;DD-4,SUS420J2,-,I	1	SNA	
M043	AD61-01159A	HOLDER-BAND;DD-4,DURACON M90-4	1	SNA		AD61-01907A		SPRING ETC-BRAKE T,-,SUS304 WP	1	SNA	
M047	AD97-10585A	ASSY-POLE BASE T;ASSY,DD-4A,-	1	SNA		AD66-00373A		BRAKE T;DD-4A,PBT-6300T,-,-,NA	1	SNA	
M048	AD97-06387A	ASSY-POLE BASE S,-,DD-4,-	1	SNA		AD61-01155A		PLATE-HOUSING;DD-4,SUS301-CSP	1	SNA	
M202	6031-001417	WASHER-PLAIN;POLYSLIDE,-,ID0.8	1	SA		AD61-01162A		PLATE-SPRING;DD-4,SUS304 CSP 3	2	SNA	
M203	6031-001430	WASHER-PLAIN;POLYSLIDER,-,ID0.	3	SA		AD61-01560A		HINGE-LEVER;DD-4,SWRCH18A,T0.3	2	SNA	
M205	6031-001432	WASHER-PLAIN;POLYSLIDE,M2.5,ID	1	SA		AD66-00194A		ARM-L;DD-4,SUS301-CSP 1/4H,T0.	1	SNA	
M404	AD97-10563A	ASSY-GEAR CAM MAIN;ASSY,DD-4A,	1	SA		AD66-00195A		ARM-R;DD-4,SUS301-CSP 1/4H,T0.	1	SNA	
M414	AD66-00292A	PULLEY-BELT-TIMING;DD-4,POLYUR	0.2	SA		AD66-00200A		LEVER-HOUSING;DD-4,SUS301-CSP	1	SNA	
M416	AD97-10558A	ASSY-ARM PINCH;ASSY,DD-4A,ASSY	1	SA		AD61-01544A		POST-BASE-DRUM;DD-4,SUS303,D2.	1	SNA	
S302	AD97-10559A	ASSY-COVER REEL BRAKE;ASSY,DD-	1	SA		AD66-00213A		DRUM-BASE;DD-4,AEI501,-,-,BL	1	SNA	
S310	AD66-00374A	BRAKE-S SOFT;DD-4A,ZYTEL 70G-4	1	SNA		AD97-10556A		ASSY-GUIDE RAIL;ASSY,DD-4A,ASS	1	SNA	
S602A	AD61-01161A	HOLDER-SENSOR;DD-4,POM DURACON	1	SNA		AD61-01152A		GUIDE-RAIL;DD-4,SUS430 CP,T0.5	1	SNA	
T003	AD97-10586A	ASSY-LOADING MOTOR;ASSY,DD-4A,	1	SA		AD61-01177A		SPRING ETC-LOADING S;DD-4,SWP-	1	SNA	
T019	AD66-00203A	REEL-DISK S;DD-4,DURACON M90-4	1	SNA		AD61-01178A		SPRING ETC-LOADING T;DD-4,SWP-	1	SNA	
T020	AD66-00204A	REEL-DISK T;DD-4,DURACON M90-4	1	SNA		AD61-01185A		STUD-LOADING;DD-4,SWRCH18A,-,-	1	SNA	
T022	AD66-00207A	GEAR-IDLER;DD-4,POM NW-02.0,3,	1	SNA		AD61-02312A		STUD-LOADING S;DD-4,C3602 BD,O	1	SNA	
T053	AD66-00198A	LINK-LOADING S;DD-4,SUS301 CSP	1	SNA		AD66-00196A		GEAR-LOADING S;DD-4,DURACON.0.	1	SNA	
T055	AD66-00199A	LINK-LOADING T;DD-4,SUS301 CSP	1	SNA		AD66-00197A		GEAR-LOADING T;DD-4,DURACON M9	1	SNA	
VS150	6601-001248	BEARING-BALL;692AT12ZMC5ERUPK	0.4	SNA		AD61-01153A		POLE-BASE S;DD-4,PPS,-,-,-,-	1	SNA	
VS150	6601-001249	BEARING-BALL;692AT12ZMC5ERUPK	0.4	SNA		AD61-01179A		POLE-SLANT S;DD-4,SUS420J2,-,-	1	SNA	
VS150	6601-001250	BEARING-BALL;692AT12ZMC5ERUPK	0.4	SNA		AD61-01154A		POLE-BASE T;DD-4,PPS,-,-,-,-	1	SNA	
VS150	6601-001251	BEARING-BALL;692AT12ZMC5ERUPK	0.4	SNA		AD61-01186A		POLE-SLANT T;DD-4,SUS420J2,-,-	1	SNA	
VS150	6601-001252	BEARING-BALL;692AT12ZMC5ERUPK	0.4	SNA		AD61-01201A		SPRING ETC- PINCH;DD-4,SWP-B,-	1	SNA	
VS165	AD66-00216A	LEVER-LOCK;DD-4,SUS301 CSP 1/2	1	SNA		AD61-01202A		SPRING ETC-LEVER PINCH;DD-4,SW	1	SNA	
VS172	AD61-01184A	SPRING ETC-TENSION;DD-4,SUS304	1	SA		AD61-01389A		POST-ARM-PINCH;DD-4,SUS 303,-,	1	SNA	
W101	6001-001575	SCREW-MACHINE;PH,+,M1.4,L3.5,Z	2	SA		AD61-01484A		BUSH-POST-PINCH;DD-4,C3604BD,I	1	SNA	
W101	6001-001575	SCREW-MACHINE;PH,+,M1.4,L3.5,Z	1	SA		AD61-01485A		POST-PINCH;DD-4,SUS303,OD1.5,L	1	SNA	
W102	6009-001320	SCREW-SPECIAL;BH,+,M1.4,L1.7	2	SA		AD61-02332A		STUD-GUIDE PINCH;DD-4A,SUSXM7,	1	SNA	
W103	6001-001591	SCREW-MACHINE;PH,+,M1.4,L4(1.5	1	SA		AD61-02338A		BUSH-PINCH;DD-4A,C3604BD,ID1.9	1	SNA	
W104	6001-001715	SCREW-MACHINE;BH,+,M1.4,L2.2,Z	2	SA		AD66-00191A		ARM-PINCH;DD-4,SPCC-SB,T0.6,-,	1	SNA	
W105	6001-001590	SCREW-MACHINE;PH,+,M1.4,L2.2,Z	1	SA		AD66-00220A		ROLLER-PINCH;DD-4,RUBBER,5.6,-	0.5	SNA	
W106	6009-001319	SCREW-SPECIAL;BH,+,M1.4,L2.6	2	SA		AD66-00298A		ROLLER-PINCH;Meiji,Rubber,OD5.	0.5	SNA	
W302	6006-001133	SCREW-MACHINE;WP,PH,TORX,M1.4,	2	SNA		AD67-00098A		CAP-PINCH ROLLER;DURACON,DD-3,	1	SNA	
W303	6009-001466	SCREW-SET,-,SOCKET,-,M1.4,L2.3	2	SNA		0601-001294		LED-IR;SIDE-VIEW,2mm,75mW,6V,9	1	SA	
W378	6001-001452	SCREW-MACHINE;BH,+,M1.4,L2.5	3	SA		AD61-01198A		SPRING ETC-BRAKE S SOFT;DD-4,S	1	SNA	
W378	6001-001452	SCREW-MACHINE;BH,+,M1.4,L2.5	1	SA		AD97-06391A		ASSY-COVER REEL SUB,-,DD-4,ASS	1	SNA	
	AD61-01156A	STOPPER-REEL;DD-4,POM DURACON	1	SNA		AD41-00379A		FPC-LED;DD-4,-,POLYIMIDE,-.015	1	SNA	
	AD61-01157A	PLATE-REEL;DD-4,SUS631 3/4H,T0	1	SNA		AD61-01908A		SPRING ETC-LOAD,-,STS304 WPB,0	1	SNA	
	AD61-01482A	SPRING ETC-REEL S;DD-4,SUS304-	1	SNA		AD97-09376A		ASSY-UPPER DRUM;ASSY,DD-10,-	1	SNA	
	AD66-00201A	GEAR-REEL S;DD-4,POM NW-02.0,3	1	SNA		AD33-00055A		HEAD-DVC A;HWHAC1017A,FERRITE,	1	SNA	
	AD66-00225A	REEL-REFLECTOR;DD-4,POLYESTER,	1	SNA		AD33-00056A		HEAD-DVC B;HWHAC1018A,FERRITE,	1	SNA	
	AD81-00003A	WASHER-REEL;DD-4,-,-,-,-,-	1	SNA		AD66-00296A		DRUM-UPPER FORGING;DD-4,AHS,-,	1	SNA	
	AD61-01156A	STOPPER-REEL;DD-4,POM DURACON	1	SNA		AD70-00024A		CORE TRANS-ROTOR;FERRITE,-.09	1	SNA	

Exploded Views and Parts List

Loc.No	Loc.No	Description : Specification	Q'ty	S.N.A	Remark	Loc.No	Loc.No	Description : Specification	Q'ty	S.N.A	Remark
	AD97-09129A	ASSY-MOTOR ROTOR;ASSY,DD-4,Tes	1	SNA		SWREC0	3404-001171	SWITCH-TACT;12V DC,50MA,200GF,	1	SA	
	AD31-00052A	ROTOR-YOKE DM;DD-4,-,SECC C2	1	SNA		W114	6003-001142	SCREW-TAPTITE;CH,+,-,B,M1.7,L5	1	SA	
	AD61-01475A	MAGNET-DM;DD-3,Nd,-,-,□	1	SNA		W118	6003-001291	SCREW-TAPTITE;CH,+B,M1.4,L3.0	3	SA	
	AD97-10567A	ASSY-COVER DRUM;ASSY,DD-4A,TOE	1	SNA		W127	6003-001292	SCREW-TAPTITE;CH(0.3),+B,M1.7	6	SA	
	AD61-02337A	STUD-COVER DRUM;DD-4A,SWRH12A,	1	SNA		W206	6001-001373	SCREW-MACHINE;PH,T0.5,+,-,M1.7	3	SA	
	AD63-00890A	COVER-DRUM DIECASTING;DD-4A,AD	1	SNA		W206	6001-001373	SCREW-MACHINE;PH,T0.5,+,-,M1.7	2	SA	
	AD97-09518A	ASSY-TRANS STATOR;ASSY,DD-10,-	1	SNA		W206	6001-001373	SCREW-MACHINE;PH,T0.5,+,-,M1.7	5	SA	
	AD41-00633A	FPC-STATOR;DD-10,-,PLOYMIDE,7,	1	SNA		W206	6001-001373	SCREW-MACHINE;PH,T0.5,+,-,M1.7	1	SA	
	AD70-00023A	CORE TRANS-STATOR;FERRITE,-,0.	1	SNA		W225	6009-001410	SCREW-SPECIAL;CH,+,-,M1.4,L4.7	3	SA	
	AD97-10568A	ASSY-LOWER DRUM;ASSY,DD-4A,TOE	1	SNA		W276	6001-001298	SCREW-MACHINE;CH(0.5),+M1.7,L	3	SA	
	AD66-00256A	SHAFT-DRUM-S1;DD-4,SUS420J2,L1	0.2	SNA		W281	6001-001508	SCREW-MACHINE;CH(0.5),+,-,M1.7	2	SA	
	AD66-00256A	SHAFT-DRUM-S2;DD-4,SUS420J2,L1	0.2	SNA		W298	6003-001508	SCREW-TAPTITE;PH,+B,M1.4,L3,N	1	SA	
	AD66-00257A	SHAFT-DRUM-S3;DD-4,SUS420J2,19	0.2	SNA		W371	6003-001453	SCREW-TAPTITE;BH,+B,M1.7,L4,Z	2	SA	
	AD66-00258A	SHAFT-DRUM-S4;DD-4,SUS420J2,19	0.2	SNA		W371	6003-001453	SCREW-TAPTITE;BH,+B,M1.7,L4,Z	3	SA	
	AD66-00259A	SHAFT-DRUM-S5;DD-4,SUS420J2,19	0.2	SNA		W371	6003-001453	SCREW-TAPTITE;BH,+B,M1.7,L4,Z	10	SA	
	AD66-00332A	DRUM-LOWER FORGING;DD-10,AHS,-	1	SNA		W371	6003-001453	SCREW-TAPTITE;BH,+B,M1.7,L4,Z	3	SA	
	AD97-10569A	ASSY-MOTOR STATOR;ASSY,DD-4A,T	1	SNA		W371	6003-001453	SCREW-TAPTITE;BH,+B,M1.7,L4,Z	2	SA	
	AD97-12039A	ASSY-MAIN DECK;DD-4B,-,-	1	SNA		W371	6003-001453	SCREW-TAPTITE;BH,+B,M1.7,L4,Z	5	SA	
	AD61-02335A	STUD-GEAR CAM MAIN;DD-4A,SUSXM	1	SNA		W371	6003-001453	SCREW-TAPTITE;BH,+B,M1.7,L4,Z	4	SA	
	AD67-00210A	BRUSH-MODE SW;DD-4,C5210P-H,-	1	SNA		W372	6003-001148	SCREW-TAPTITE;PH,+B,M1.7,L6,Z	3	SA	
	AD31-00059A	MOTOR DC-LOADING,-,1100RPM,-,5	1	SNA		W377	6001-001291	SCREW-MACHINE;CH(0.5),+,-,M1.7	2	SA	
	AD61-01160A	HOLDER-LOADING;DD-4,DURACON M9	1	SNA		AD69-01652A	PACKING CASE;SC-D381,PAPER,D,T	1	SA		
	AD66-00062A	GEAR WORM-MOTOR;DD-3,POM,0.3,-	1	SNA		AD39-00001A	CABLE-RCA;-,-,3P,-,-,500V,P,E	1	SA		
	AD66-00209A	GEAR-WORM LOADING;DD-4,POM KT-	1	SNA		AD44-00112A	ADAPTOR-AC POWER;AA-E9/EUR,EUR	1	SA		
	AD61-01163A	HOLDER-BEARING;DD-4,ZDC,-,-,-,	1	SNA		AD68-02562H	MANUAL USERS;VP-D381,KEF,SP/GE	1	SA		
	AD61-01165A	PLATE-CAPSTAN;DD-4,RM,T0.5,-,-	1	SNA		AD72-00049A	BAND-STRING HOOD;DELTA-PJ,NYLO	1	SA		
	AD32-00021A	SENSOR-TOP/END,-,DE-10A,-,25to+	1	SNA		AD43-00186A	BATTERY-PACK;IA-BP80W/EXP,ICP4	1	SA		
	AD41-00392A	FPC-DEW;DD-4,0,POLYIMIDE,-,0.15	1	SA							
	AD41-00874A	FPC-MAIN;DD-4B,-,POLYIMIDE,-,T0	1	SNA							
	AD61-00546A	STUD-CAPSTAN;DD-3,C3602BD,-,-,	1	SNA							
	AD61-01188A	STUD-WHEEL;DD-4,SWRCH18A,-,-,-	1	SNA							
	AD61-02333A	STUD-GEAR PULLEY;DD-4A,SUSXM7,	1	SNA							
	AD61-02334A	STUD-PINCH ROLLER;DD-4A,SUS303	1	SNA							
	AD64-00953A	CHASSIS-MAIN;DD-4,SECC,T0.86,-	1	SNA							
	AD66-00064A	GEAR-WHEEL;DD-3,POM,0.3/05,08/	1	SA							
	AD61-00554A	STUD-ARM TENSION;DD-3,SUS303,-	1	SNA							
	AD61-01192A	STUD-REVIEW;DD-4,SUS303,-,-,-,	1	SNA							
	AD61-01486A	STUD-BRAKE-T;DD-4,SWRCH18A,1.8	1	SNA							
	AD61-02339A	STUD-REEL;DD-4A,SUSXM7,OD2.5,1	2	SNA							
	AD67-00211A	PRISM-END SENSOR;DD-4,ACRYL G1	1	SNA							
	AD97-12044A	ASSY-FPC SUB;DD-4B,-,-	1	SNA							
	3409-001035	SWITCH-DETECTOR;3-5V,50uA~10mA	1	SA							
	AD32-00015A	SENSOR-REEL,-,DE-10,-,25--85C,5	1	SNA							
	AD32-00021A	SENSOR-TOP/END,-,DE-10A,-,25to+	1	SNA							
	AD32-00022A	SENSOR-REEL;RPR-102SF,DD-10,-,2	1	SNA							
	AD34-00005A	SWITCH-MIC;-,-,-,-,-,-,-,-,-,-,-	1	SNA							
	AD41-00873A	FPC-SUB;DD-4B,-,POLYIMIDE,-,T0.	1	SNA							
C056	AD97-13299A	ASSY-CAP HOOD;ASSY,DRAGON4-PJ,	1	SA							
C071	AD63-01200A	COVER-ADJUST;DRAGON4-PJ,ABS+PC	1	SA							
C208	AD61-12033A	BRACKET-NUT;SV-D10,SECC,-,-,-,	1	SA							
C317	AD63-01210A	COVER-PRODUCT;DRAGON4-PJ,ABS+P	1	SA							
C480	AD73-00064A	RUBBER-SPACER 2.6;D5-PJ,IIR BL	3	SA							
C846	AD61-02906A	BRACKET-GUIDE FPC;MX10,SUS 304	1	SA							
FL365	3809-002104	FFC CABLE-FLAT;30V,80,55mm,15P	1	SA							
P037	AD97-13340A	ASSY-CHASSIS MAIN;ASSY,DRAGON4	1	SA							
P052	AD67-00369A	LENS FILTER-OLPF LSSS1;SPML,IR	1	SA							
P170	AD97-13295B	ASSY-FRONT;ASSY,DRAGON4-PJ,LED	1	SA							