

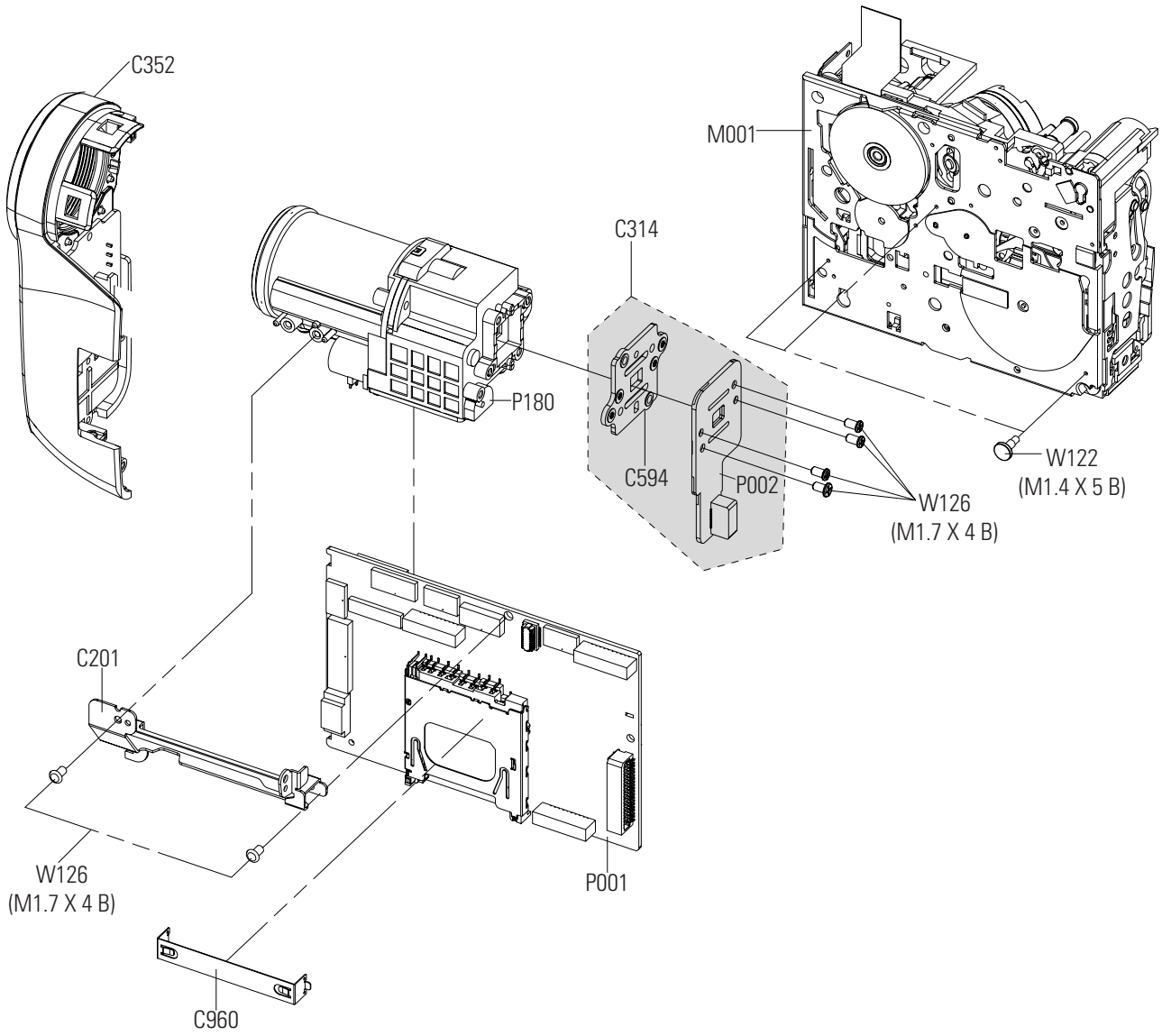
---

## 5. Exploded View and Parts List

---

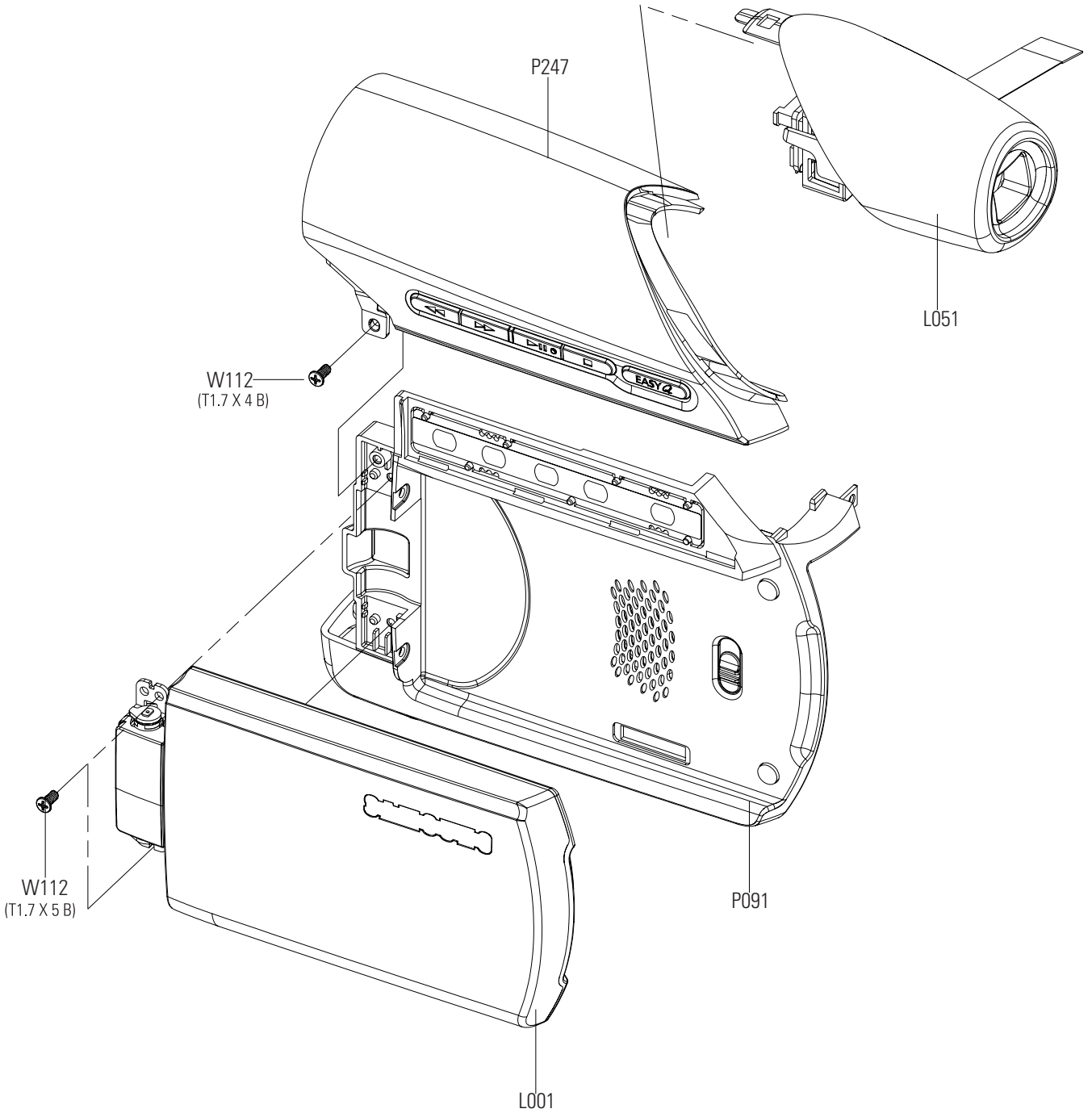
<b>5-1 Ass'y Chassis</b>	<b>5-2</b>
<b>5-2 Ass'y Left</b>	<b>5-4</b>
<b>5-3 Ass'y Right</b>	<b>5-6</b>
<b>5-4 Ass'y LCD</b>	<b>5-8</b>
<b>5-5 Ass'y Case Left</b>	<b>5-10</b>
<b>5-6 Ass'y Case Right</b>	<b>5-11</b>
<b>5-7 Ass'y CVF</b>	<b>5-12</b>
<b>5-8 Ass'y Jack</b>	<b>5-13</b>
<b>5-9 Ass'y Rear</b>	<b>5-14</b>
<b>5-10 Ass'y Front</b>	<b>5-15</b>
<b>5-11 Mechanical Parts (Main Chassis)</b>	<b>5-16</b>
<b>5-12 Mechanical Parts (Sub Chassis)</b>	<b>5-18</b>

# 5-1 Ass'y Chassis



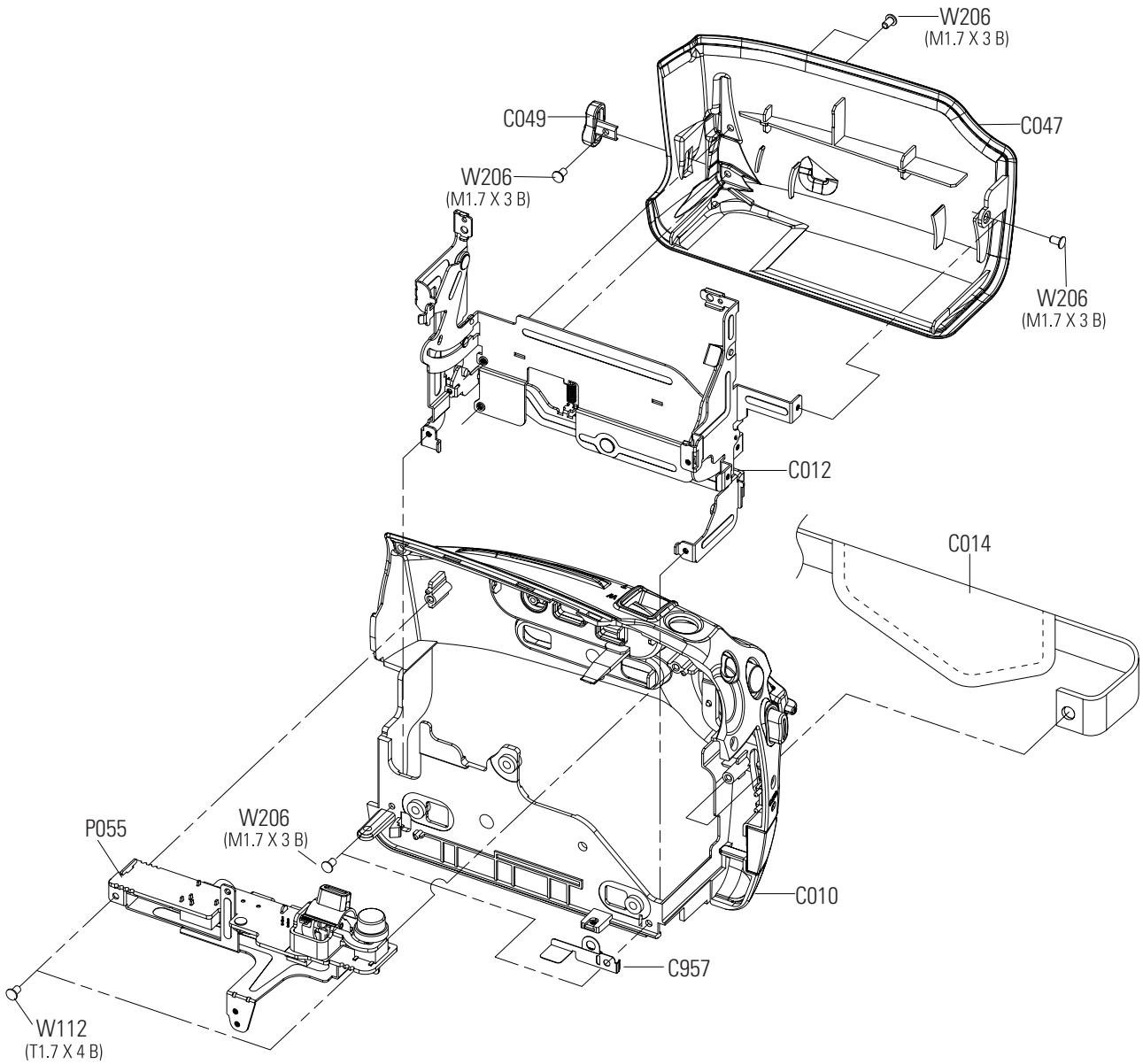
Loc. No	Parts No.	Description ; Specification	Q'ty	S.N.A	Remark
C201	AD61-02735A	BRACKET-LENS;DRAGON3-PJ,STS,T0.5,W54.2,L	1	SA	
C314	AD97-10701B	ASSY-CCD;DRAGON3-PJ,PAL,ASSY-CCD	1	SA	
C352	AD97-12012A	ASSY-FRONT;ASSY,DRAGON3-PJ,SC-D371	1	SA	
C594	AD61-02357A	PLATE-CCD;DRAGON2-PJ,AL,T1,W21,L25,-,-	1	SA	
C960	AD63-01105A	SHIELD-CASE MAIN;DRAGON3-PJ,SPTT,T0.25,W	1	SA	
M001	AD97-12038A	ASSY-DECK;DD-4B,-,-	1	SA	
P001	AD92-00088M	ASSY PCB-MAIN BOARD;VP-D371W/XEF,DRAGON3	1	SA	
P002	AD97-11996A	ASSY-CCD BOARD;DRAGON3-PJ,PAL,CCD BOARD	1	SNA	
P180	AD97-12061A	ASSY-ZOOM LENS;ASSY,DRAGON3-PJ,33X ZOOM	1	SA	
W122	6009-001325	SCREW-SPECIAL;CH,+,,M1.4,L5(1.9),ZPC(BLK	3	SA	
W126	6003-001300	SCREW-TAPTITE;CH,+,,B,M1.7,L4,ZPC(BLK),SW	6	SA	

## 5-2 Ass'y Left



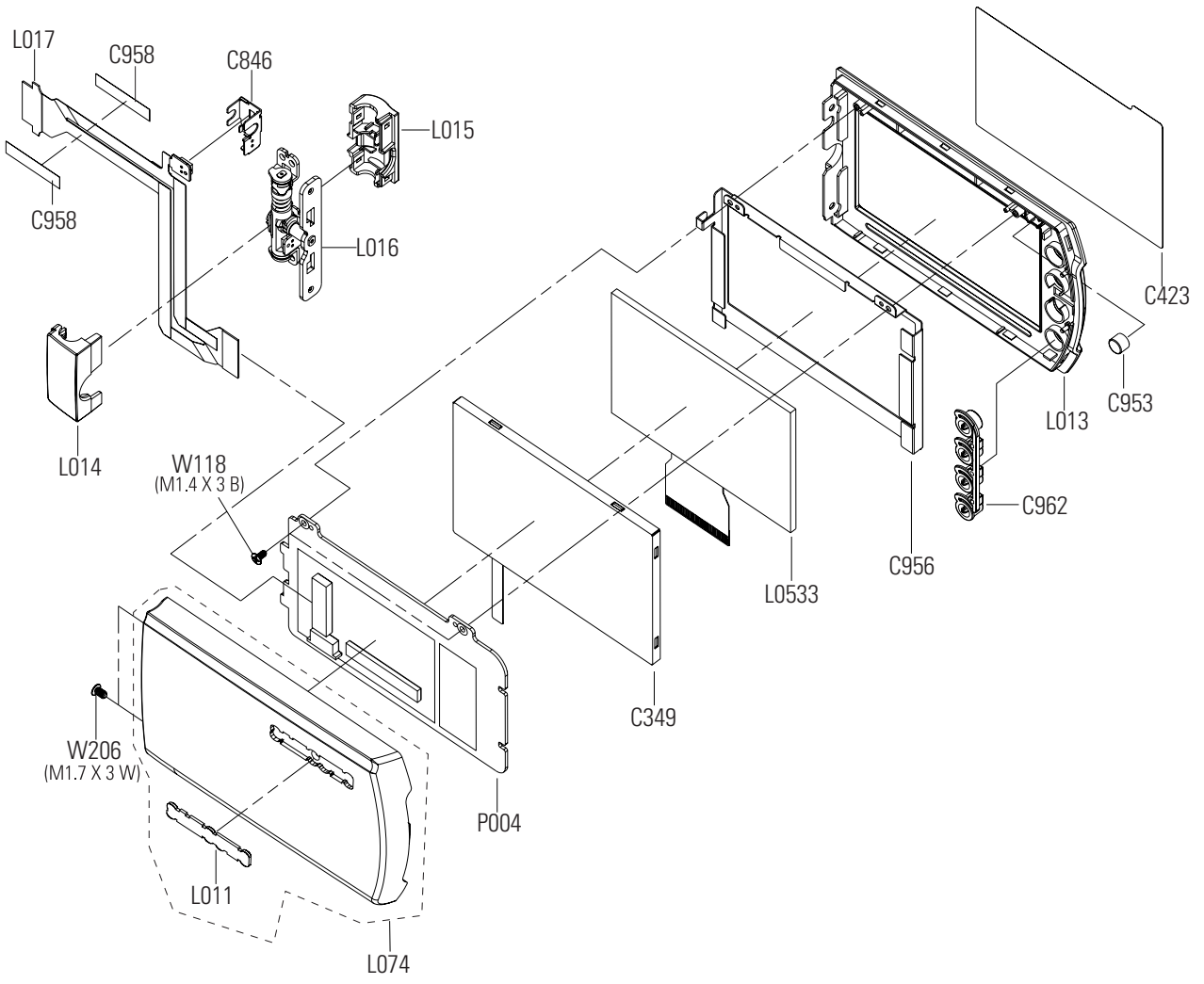
Loc. No	Parts No.	Description ; Specification	Q'ty	S.N.A	Remark
L001	AD97-12019J	ASSY-LCD;ASSY,DRAGON3-PJ,VP-D372W	1	SNA	
L051	AD97-12006A	ASSY-CVF;ASSY,DRAGON3-PJ,SC-D371	1	SNA	
P091	AD97-12018B	ASSY-CASE LEFT;ASSY,DRAGON3-PJ,NON MEMOR	1	SA	
P247	AD97-12255A	ASSY-COVER TOP;ASSY,DRAGON3-PJ,CARD(X),O	1	SA	
W112	6003-001453	SCREW-TAPTITE;BH,+,B,M1.7,L4,ZPC(BLK)	3	SA	

### 5-3 Ass'y Right



Loc. No	Parts No.	Description ; Specification	Q'ty	S.N.A	Remark
C010	AD97-12024A	ASSY-CASE RIGHT;ASSY,DRAGON3-PJ,SC-D371	1	SA	
C012	AD97-12017A	ASSY-LINK HOUSING;ASSY,DRAGON3-PJ,SC-D37	1	SA	
C014	AD97-10795A	ASSY-BELT GRIP;ASSY,DRAGON2-PJ,SCD6550	1	SA	
C047	AD63-00889A	COVER-HOUSING;DD-4A,ABS94HB,-,-,-,-,BL	1	SNA	
C049	AD64-01618A	KNOB-TAPE EJECT;DRAGON3-PJ,ABS 94HB,T1.0	1	SA	
C957	AD61-02527A	PLATE-GROUND RIGHT;DRAGON2-PJ,SUS304,T0.	1	SA	
P055	AD97-12136A	ASSY-JACK;ASSY,DRAGON3-PJ,COMPO AV, USB	1	SNA	
W112	6003-001453	SCREW-TAPTITE;BH,+,B,M1.7,L4,ZPC(BLK)	2	SA	
W206	6001-001373	SCREW-MACHINE;PH,T0.5,+, -,M1.7,L3.0,ZPC{	6	SA	

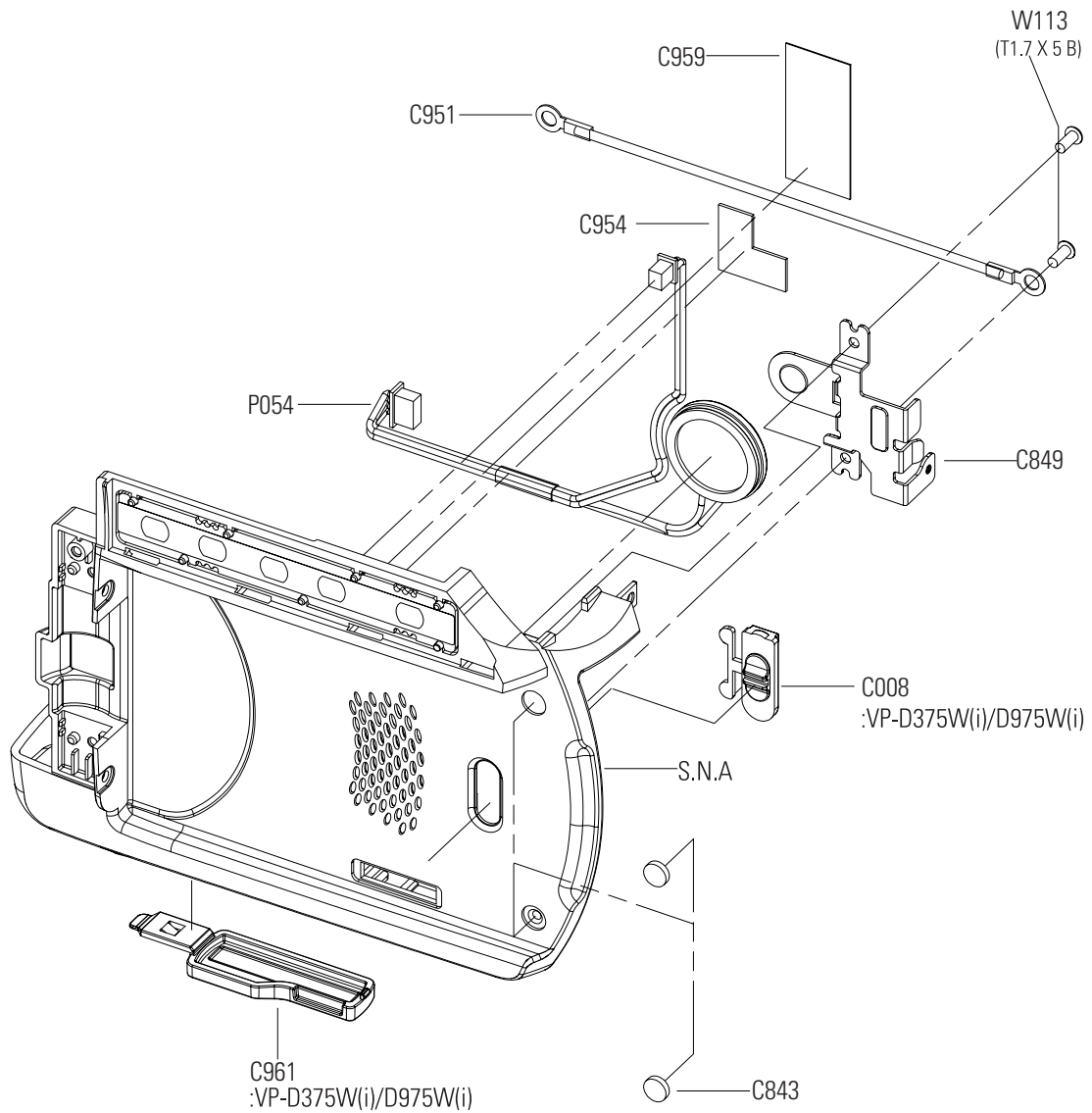
### 5-4 Ass'y LCD





Loc. No	Parts No.	Description ; Specification	Q'ty	S.N.A	Remark
C349	AD97-11959A	ASSY-LED BL;RAYGEN ASSY-LED BL,DRAGON3-P	1	SA	
C423	AD62-00029A	INSULATION-LCD;D5-PJ,PE 3M NO.4187,T0.05	1	SNA	
C846	AD61-02434A	BRACKET-GUIDE FPC;RAINBOW1(33X),STS,T1,W	1	SA	
C953	AD61-02281A	MAGNET-DETECT;Miniket-Mega-PJ,Nb-Fe-B,T3	1	SA	
C956	AD61-02742A	PLATE-GROUND DISPLAY 2.7;DRAGON3-PJ,STS	1	SA	
C958	AD63-00931A	SHEET-LCD;DRAGON2-PJ,VINYL,T0.3,W10,L40,	2	SNA	
C962	AD64-01614A	BUTTON-DISPLAY LCD;DRAGON3-PJ,ABS 94HB,D	1	SA	
L011	AD64-00808A	BADGE-SAMSUNG;ALPHA_PJ,AL,T0.7,-,-,-,SIL	1	SA	
L013	AD61-02722A	CASE-LCD BOTTOM 2.7;DRAGON3-PJ,ABS 94HB	1	SA	
L014	AD63-01071A	COVER-HINGE TOP;DRAGON3-PJ,ABS 94HB,T1.0	1	SA	
L015	AD63-01072A	COVER-HINGE BOTTOM;DRAGON3-PJ,ABS 94HB,T	1	SA	
L016	AD97-10863A	ASSY-HINGE;ASSY,RAINBOW1(33X),-	1	SA	
L017	AD97-12092A	ASSY-LCD FPC;DRAGON3-PJ,SC-D375,-	1	SA	
L0533	AD07-00063A	LCD-PANEL;A027CW01,DRAGON3-PJ,112320,63.	1	SA	
L074	AD97-12020J	ASSY-LCD TOP;ASSY,DRAGON3-PJ,VP-D372W	1	SA	
P004	AD92-00094A	ASSY PCB-LCD BOARD;SC-D375/XAA,2.7LCD,D	1	SA	
W118	6003-001291	SCREW-TAPTITE;CH,+,B,M1.4,L3.0,ZPC(BLK),	1	SA	
W206	6001-001373	SCREW-MACHINE;PH,T0.5,+,-,M1.7,L3.0,ZPC(	2	SA	

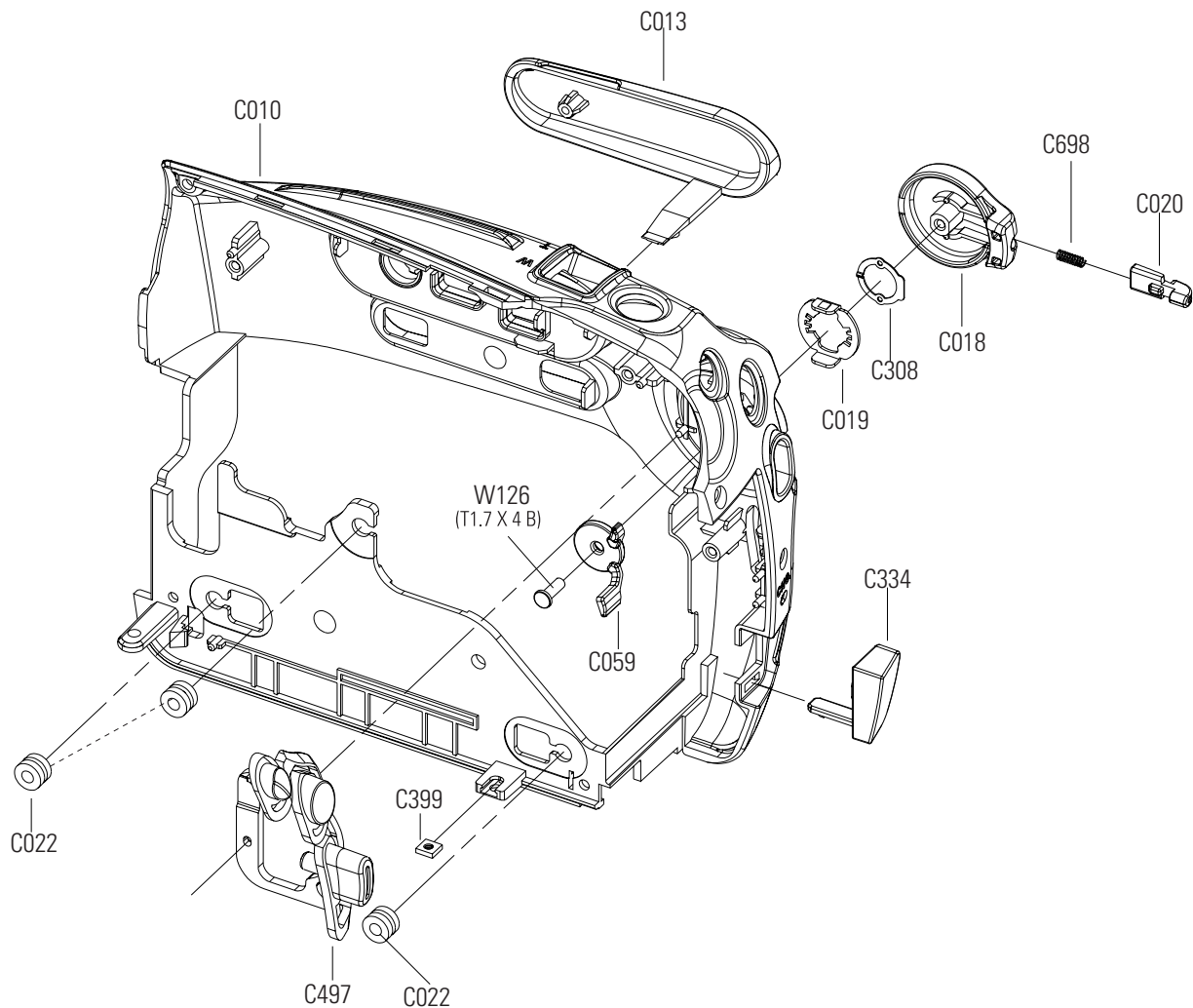
### 5-5 Ass'y Case Left



**S.N.A : Service Not Available**

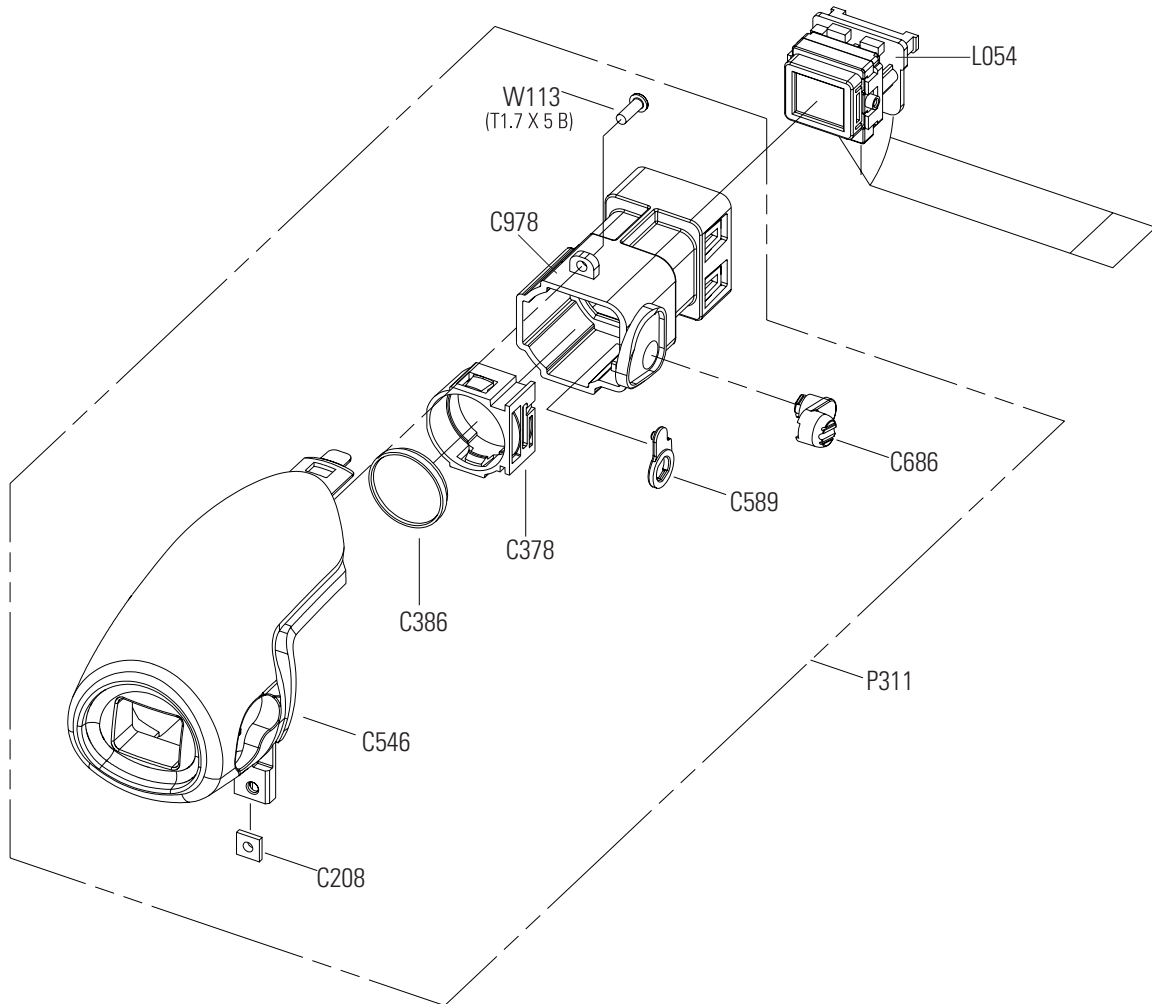
Loc. No	Parts No.	Description ; Specification	Q'ty	S.N.A	Remark
C849	AD61-02736A	BRACKET-GROUND LEFT;DRAGON3-PJ,STS,T0.5,	1	SA	
C951	AD39-00138A	HARNESS-RING;DRAGON3,#24,-,1,97mm,BLK,24	1	SA	
C954	AD69-00875A	PAD-LEFT;DRAGON3-PJ,RUB-OTH,T1.0,W12,	1	SNA	
C959	AD63-01102A	SHEET-TAPE SPEAKER;DRAGON3	1	SNA	
P054	AD97-12135A	ASSY-SPEAKER;DRAGON3-PJ,SC-D375,-	1	SA	
W113	6002-001085	SCREW-TAPPING;CH,+,2,M1.7,L5,ZPC(BLK),SW	2	SA	

## 5-6 Ass'y Case Right



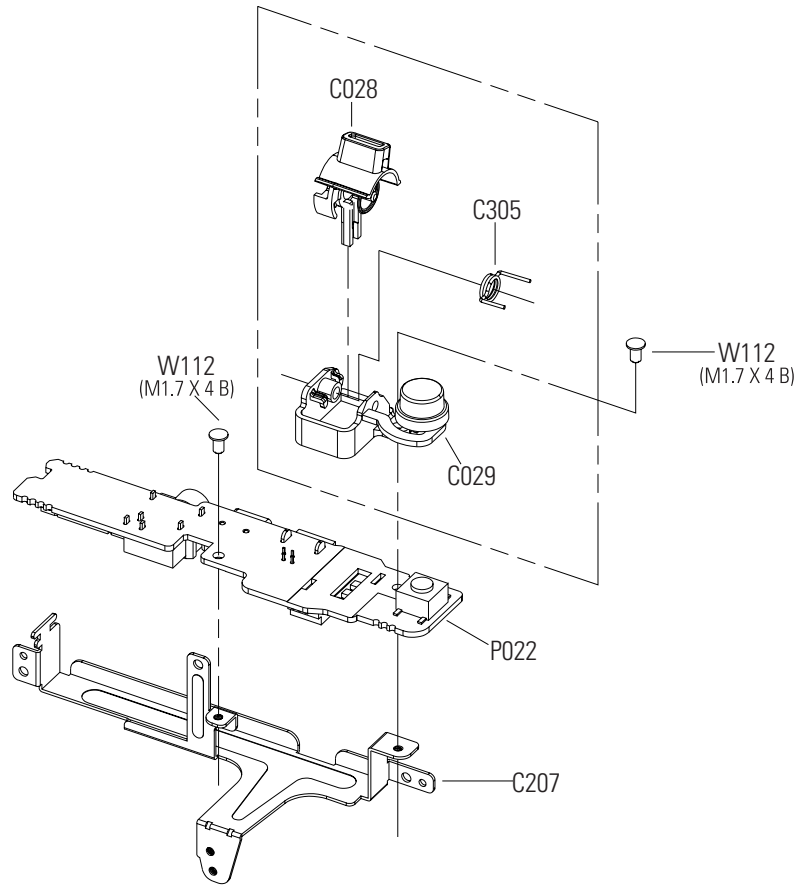
Loc. No	Parts No.	Description ; Specification	Q'ty	S.N.A	Remark
C010	AD61-02802A	CASE-RIGHT;DRAGON3-PJ,ABS 94HB,T1.5,W105	1	SNA	
C013	AD63-01075A	COVER-JACK;DRAGON3-PJ,URETHAN,T1.2,W59,L	1	SNA	
C018	AD64-01621A	KNOB-POWER;DRAGON3-PJ,ABS 94HB,T1.0,W6.2	1	SNA	
C019	AD61-02044A	PLATE-POWER;TIGER-PJ,SUS301 1/2H,T0.5,W1	1	SA	
C020	AD64-01624A	LOCKER-POWER;DRAGON3-PJ,PC,GREEN,-,-,-	1	SNA	
C022	AD73-00006A	RUBBER--GUIDE DECK;BUTHYL RUB,-,VP-D50,-	3	SA	
C059	AD61-02731A	HOLDER-POWER;DRAGON3-PJ,POM,T1.5,W14.9,L	1	SNA	
C308	AD61-02047A	PLATE-SPRING POWER;TIGER-PJ,SUS301 1/2H,	1	SA	
C334	AD63-01078A	COVER-DC JACK;DRAGON3-PJ,URETHAN,T1.5,W8	1	SNA	
C399	AD61-02364A	PLATE-NUT;DRAGON2-PJ,SECC,T0.8,W3,L3,-,-	1	SA	
C497	AD64-01615A	BUTTON-MENU;DRAGON3-PJ,ABS 94HB,D28.9,-,	1	SNA	
C698	AD61-01494A	SPRING ETC-LOCKER POWER;RAPIDO-PJ,STS SW	1	SA	
W126	6003-001300	SCREW-TAPTITE;CH,+,B,M1.7,L4,ZPC(BLK),SW	1	SA	

## 5-7 Ass'y CVF



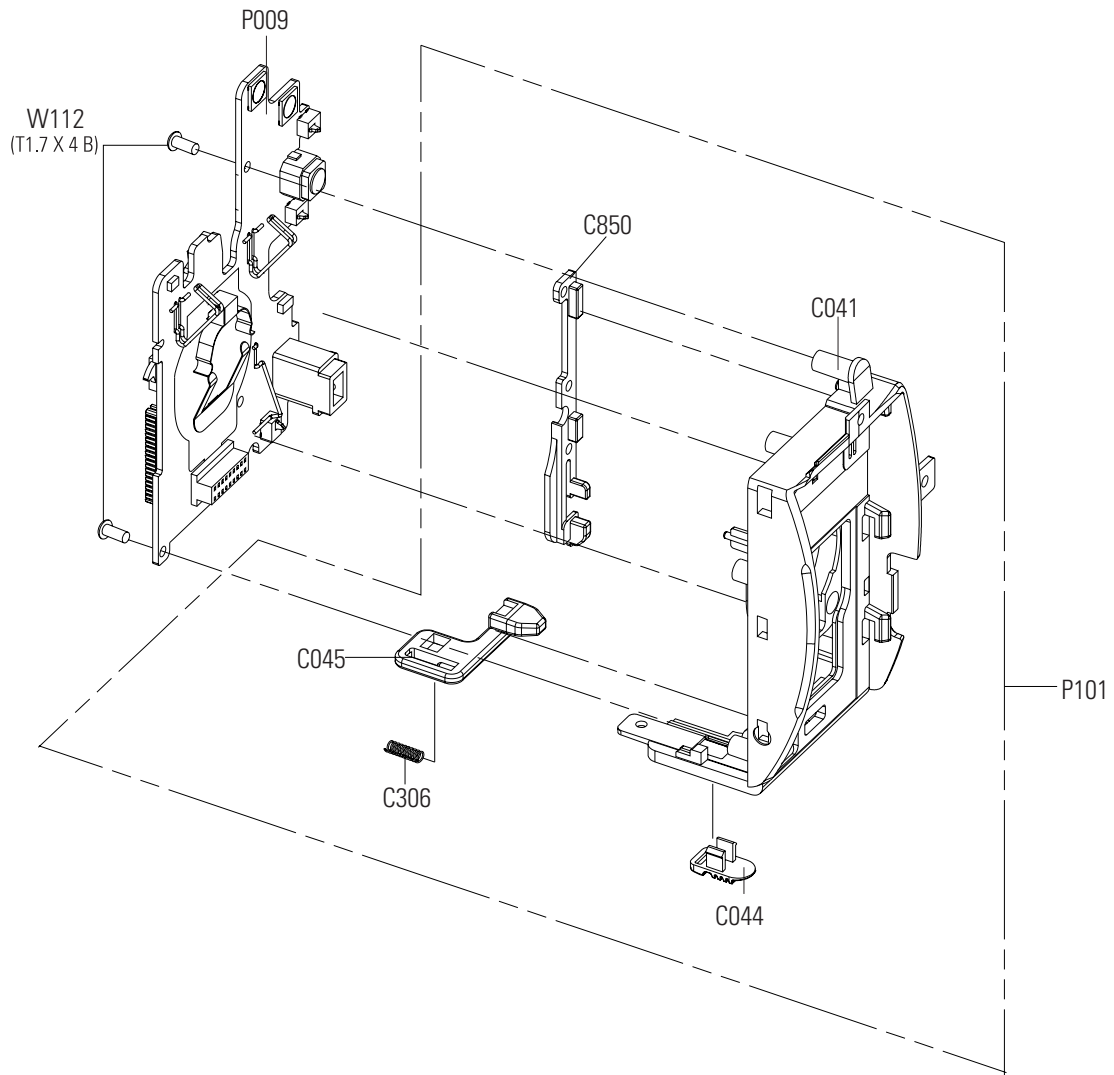
Loc. No	Parts No.	Description ; Specification	Q'ty	S.N.A	Remark
C208	AD61-12033A	BRACKET-NUT;SV-D10,SECC,-,-,-,T0.8	1	SA	
C378	AD61-02728A	HOLDER-CVF LENS;DRAGON3-PJ,ABS 94HB,T1.0	1	SNA	
C386	AD67-00025A	LENS--EVF-M-G1;-,-,PMMA,3.5,D13,-,EVF	1	SA	
C546	AD63-01077A	COVER-EYE CUP;DRAGON3-PJ,ABS 94HB,T1.5,W	1	SNA	
C589	AD61-02186A	HOLDER-CVF SLIDE;RAPIDO2,POM,T1.0,W6.1,L	1	SA	
C686	AD64-01619A	KNOB-CVF;DRAGON3-PJ,PC,T1.0,W10.2,L5.0,	1	SNA	
C978	AD61-02733A	HOLDER-CVF MAIN;DRAGON3-PJ,ABS	1	SNA	
L054	AD97-12134A	ASSY-UNIT CVF;DRAGON3-PJ,SC-D375,-	1	SA	
P311	AD97-12022A	ASSY-CASE CVF;ASSY,DRAGON3-PJ,SC	1	SA	
W113	6002-001085	SCREW-TAPPING;CH,+,2,M1.7,L5,ZPC(BLK),SW	1	SA	

## 5-8 Ass'y Jack



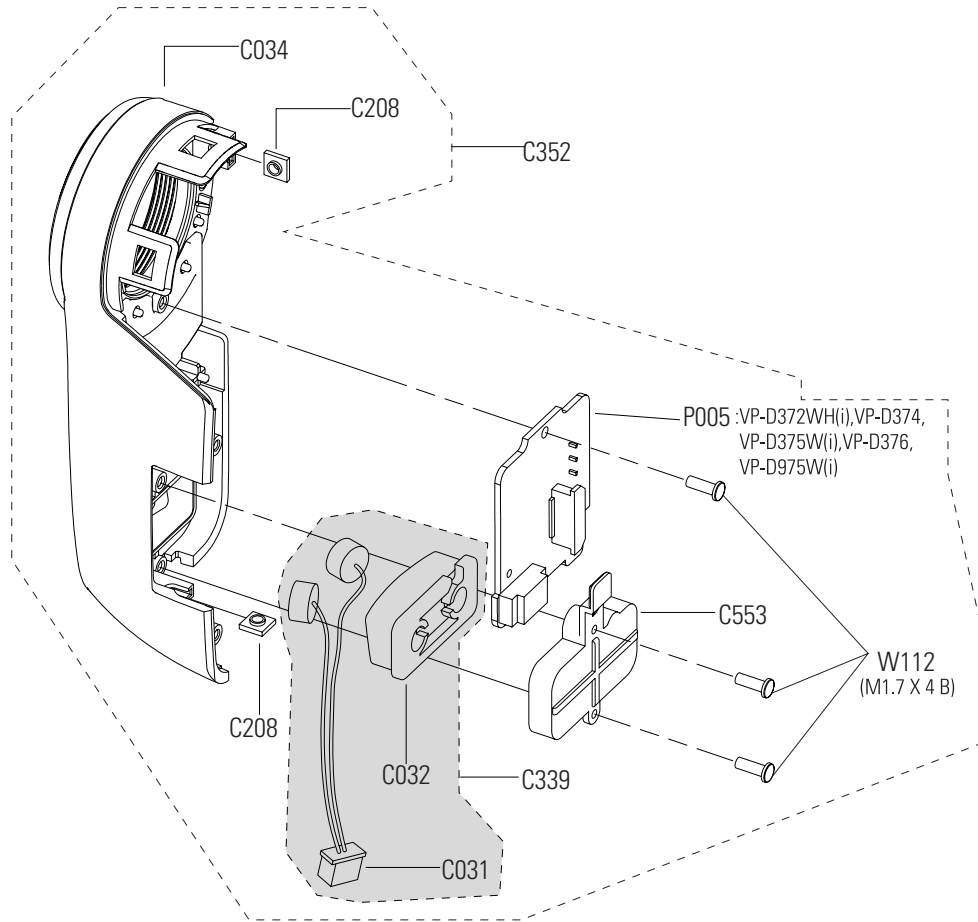
Loc. No	Parts No.	Description ; Specification	Q'ty	S.N.A	Remark
C028	AD64-01617A	KNOB-ZOOM;DRAGON3-PJ,ABS 94HB,T1.0,W11,L	1	SA	
C029	AD61-02732A	HOLDER-ZOOM;DRAGON3-PJ,POM,T1.5,W23.8,L1	1	SA	
C207	AD61-02737A	BRACKET-JACK;DRAGON3-PJ,STS,T0.5,W70.5,L	1	SA	
C305	AD61-02814A	SPRING ETC-ZOOM;DRAGON3-PJ,SUS304WPB,0.4	1	SA	
P022	AD92-00091B	ASSY PCB-JACK BOARD;SC-D371/XAA,DRAGON3-	1	SA	
W112	6003-001453	SCREW-TAPTITE;BH,+,B,M1.7,L4,ZPC(BLK)	2	SA	

### 5-9 Ass'y Rear



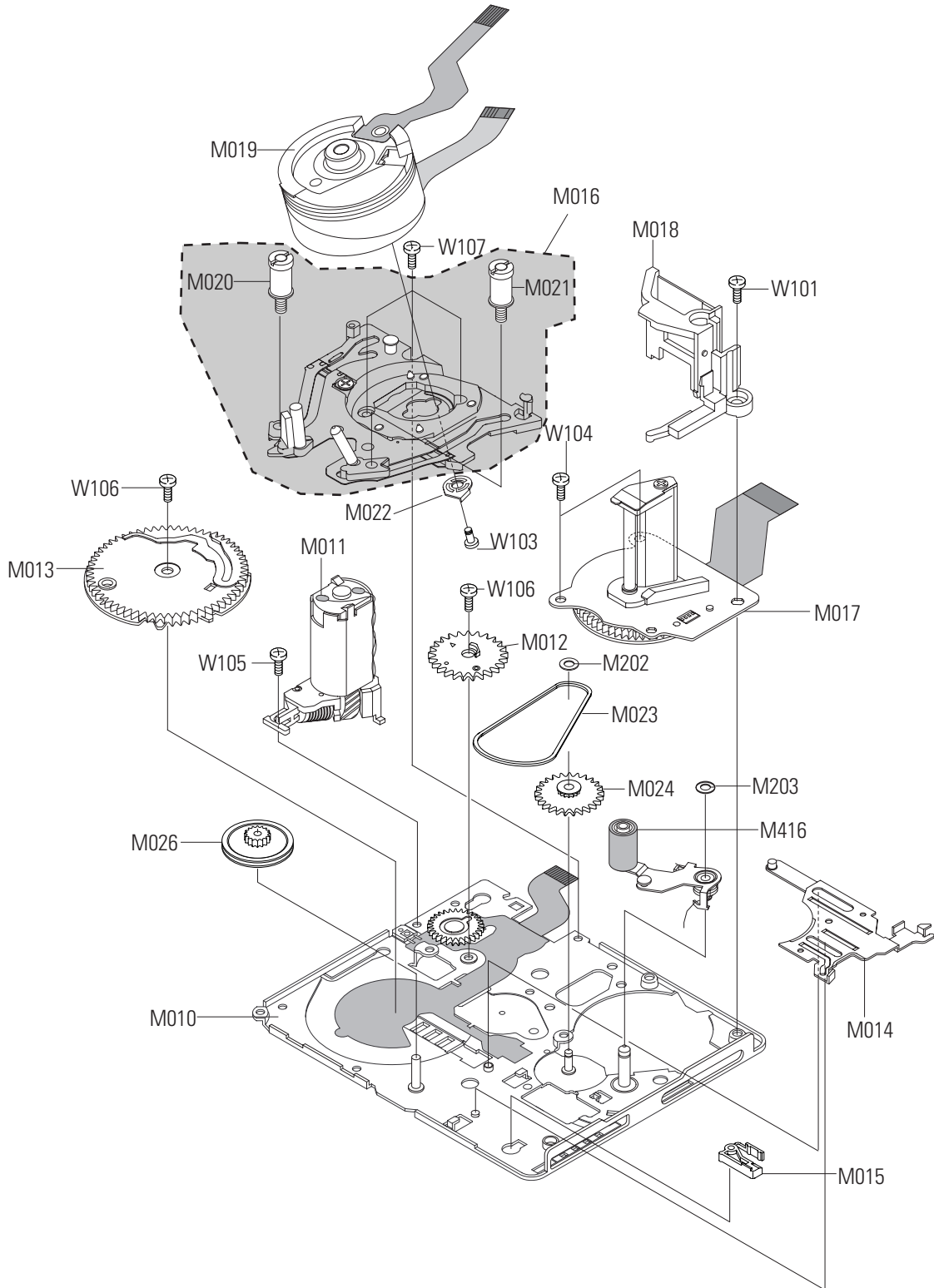
Loc. No	Parts No.	Description ; Specification	Q'ty	S.N.A	Remark
C041	AD61-02723A	CASE-REAR;DRAGON3-PJ,ABS 94HB,T1.5,W34.3	1	SNA	
C044	AD64-01180B	KNOB-BATTERY EJECT;OMEGA2-PJ(2M),ABS 94H	1	SA	
C045	AD61-02734A	HOLDER-BATTERY EJECT;DRAGON3-PJ,POM,T1.5	1	SNA	
C306	AD61-01625B	SPRING ETC-BATTERY EJECT;THETA2-PJ,SUS30	1	SA	
C850	AD63-00703A	COVER-BATTERY B;DRAGON-PJ,ABS 94HB,T3.8,	1	SA	
P009	AD92-00090A	ASSY PCB-REAR BOARD;SC-D375/XAA,DRAGON3-	1	SA	
P101	AD97-12007A	ASSY-CASE REAR;ASSY,DRAON3-PJ	1	SA	
W112	6003-001453	SCREW-TAPTITE;BH,+,B,M1.7,L4,ZPC(BLK)	2	SA	

## 5-10 Ass'y Front



Loc. No	Parts No.	Description ; Specification	Q'ty	S.N.A	Remark
C031	AD63-00934A	SHEET-MIC;OASIS-PJ,#####,T0.5,W7,L21,BL	1	SA	
C032	AD73-00205A	RUBBER-MIC;DRAGON3-PJ,TPS,D22.8,#### 15'	1	SNA	
C034	AD61-02719A	CASE-FRONT;DRAGON3-PJ,ABS 94HB,T2.0,W34.	1	SNA	
C208	AD61-12033A	BRACKET-NUT;SV-D10,SECC,-,-,-,T0.8	2	SA	
C339	AD97-12025B	ASSY-MIC;ASSY,DRAOGN3-PJ	1	SA	
C352	AD97-12012A	ASSY-FRONT;ASSY,DRAGON3-PJ	1	SA	
C553	AD61-02744A	HOLDER-MIC;DRAGON3-PJ,PC,T1.2,W24.9,L24.	1	SNA	
W112	6003-001453	SCREW-TAPTITE;BH,+,B,M1.7,L4,ZPC(BLK)	3	SA	

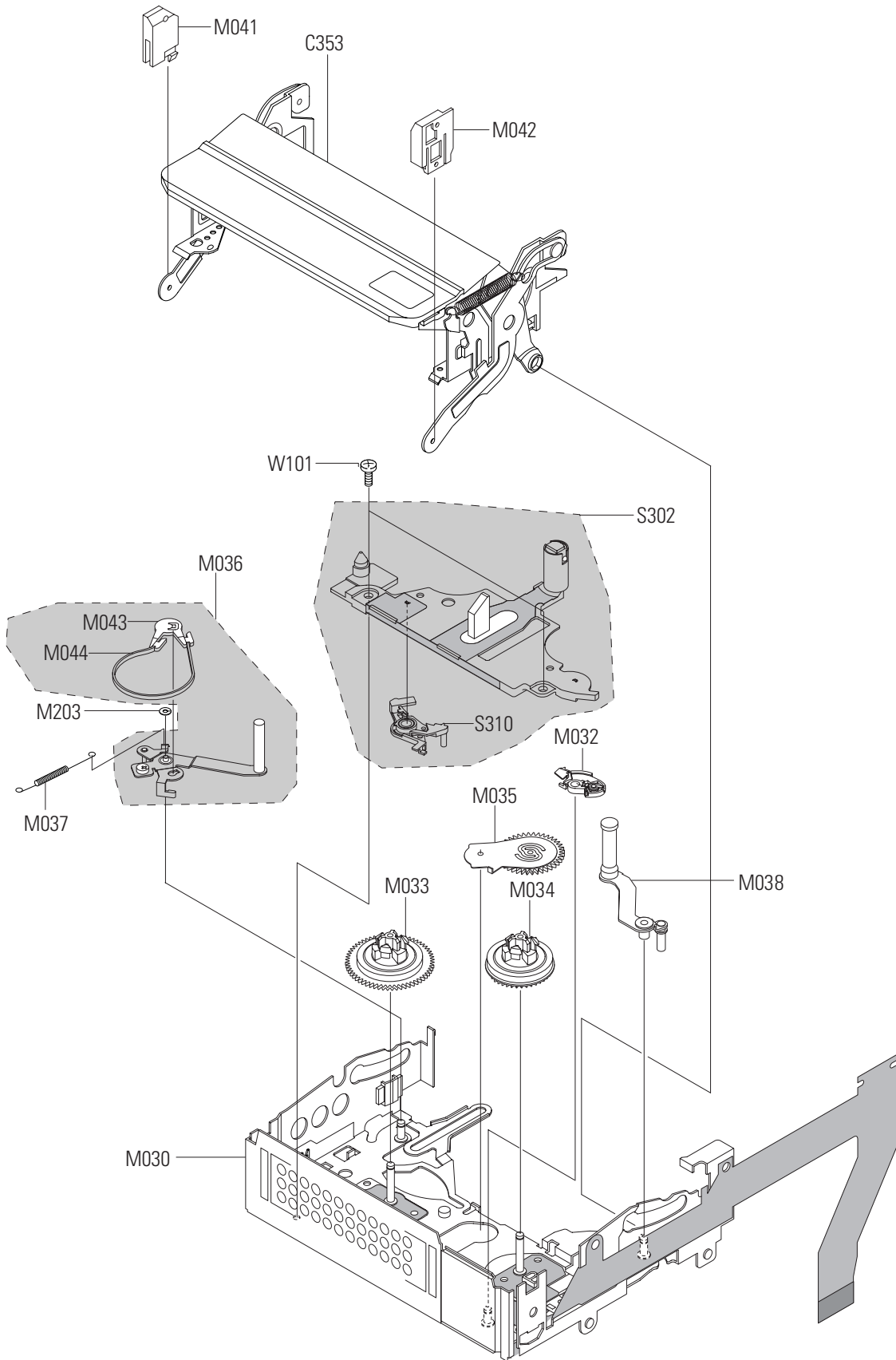
### 5-11 Mechanical Parts (Main Chassis)





Loc. No	Parts No.	Description ; Specification	Q'ty	S.N.A	Remark
M010	AD97-12041A	ASSY-MAIN CHASSIS;-DD-4B,-	1	SA	
M011	AD97-10586A	ASSY-LOADING MOTOR;ASSY,DD-4A,-	1	SA	
M012	AD66-00208A	GEAR-TENSION;DD-4,PBT3300,0.5,24,-,-,PCD	1	SA	
M013	AD66-00375A	GEAR-CAM MAIN;DD-4A,TS-25A,-,54,-,-,-,-,	1	SA	
M014	AD66-00212A	SLIDER-MAIN;DD-4,SUS430 CP,T0.4,-,-,NAT,	1	SA	
M015	AD66-00211A	LEVER-EJECT;DD-4,DURACON MS-02,-,-,-,-,-	1	SA	
M016	AD97-10555A	ASSY-DRUM BASE RAIL;ASSY,DD-4A,ASSY	1	SA	
M017	AD97-12040A	ASSY-CAPSTAN MOTOR;-DD-4B,-	1	SA	
M018	AD61-02336A	HOLDER-FPC SUB;DD-4A,DURACON M90-44,-,-,	1	SA	
M019	AD97-10579A	ASSY-DRUM;ASSY,DD-4A,TOE, COIL, FPC	1	SA	
M020	AD97-06176B	ASSY-GUIDE ROLLER;Mold + ETC,DD-4,PI 4.1	1	SNA	
M021	AD61-01483A	GUIDE-ROLLER;DD-4,POM,-,-,-,BLACK,MOLD T	1	SNA	
M022	AD61-00558A	PLATE-S/P BASE;DD-3,SUS632 CSP ,T0.15,-,	1	SA	
M023	AD66-00221A	PULLEY-BELT TIMING;DD-4,POLYURETHAN,-,-,	0.8	SA	
	AD66-00292A	PULLEY-BELT-TIMING;DD-4,POLYURETHAN,-,-,	0.2	SA	
M024	AD66-00069A	GEAR-CAPSTAN;DD-3,DYAMID,0.4,28,-,-,PCD	1	SA	
M026	AD66-00219A	GEAR-PULLEY;DD-4,DURACON M90-44,0.3,44,-	1	SA	
M202	6031-001417	WASHER-PLAIN;POLYSLIDE,-,ID0.8,D3.0,T0.2	1	SA	
M203	6031-001430	WASHER-PLAIN;POLYSLIDER,-,ID0.8,D2.5,T0.	3	SA	
M416	AD97-10558A	ASSY-ARM PINCH;ASSY,DD-4A,ASSY	1	SA	
W101	6001-001575	SCREW-MACHINE;PH,+,M1.4,L3.5,ZPC(WHT),SW	2	SA	
W103	6001-001591	SCREW-MACHINE;PH,+,M1.4,L4(1.5),ZPC(BLK)	1	SA	
W104	6001-001715	SCREW-MACHINE;BH,+,M1.4,L2.2,ZPC(BLK)	2	SA	
W105	6001-001590	SCREW-MACHINE;PH,+,M1.4,L2.2,ZPC(BLK),SW	1	SA	
W106	6009-001319	SCREW-SPECIAL;BH,+,-,M1.4,L2.6,ZPC(YEL),	2	SA	
W107	6001-001452	SCREW-MACHINE;BH,+,-,M1.4,L2.5,ZPC(BLK),	3	SA	

## 5-12 Mechanical Parts (Sub Chassis)



Loc. No	Parts No.	Description ; Specification	Q'ty	S.N.A	Remark
C353	AD97-10554A	ASSY-HOUSING;SECC+ETC,DD-4A,ASSY	1	SA	
M030	AD97-12043A	ASSY-SUB CHASSIS;DD-4B,-,-	1	SA	
M032	AD97-10553A	ASSY-BRAKE T;ASSY,DD-4A,ASSY	1	SA	
M033	AD97-06395A	ASSY-REEL-DISK-S;ASSY,DD-4,-	1	SA	
M034	AD97-06396A	ASSY-REEL-DISK-T;ASSY,DD-4,-	1	SA	
M035	AD97-06397A	ASSY-IDLER;ASSY,DD-4,-	1	SA	
M036	AD97-06401A	ASSY-ARM-TENSION;- ,DD-4,ASSY	1	SA	
M037	AD61-01184A	SPRING ETC-TENSION;DD-4,SUS304-WPB,-,-,-	1	SA	
M038	AD97-06402A	ASSY-ARM-REVIEW;- ,DD-4,ASSY	1	SA	
M041	AD61-01194A	HOUSING-LOCK L;DD-4,DURACON M90-44DURACO	1	SA	
M042	AD61-01195A	HOUSING-LOCK R;DD-4,DURACON M90-44 DURA	1	SA	
M043	AD61-01159A	HOLDER-BAND;DD-4,DURACON M90-44,-,-,-,NA	1	SNA	
M044	AD69-00425A	BAND-TENSION;DD-4,LUMIRROR,-,-,-,WHITE,-	1	SNA	
M203	6031-001430	WASHER-PLAIN;POLYSLIDER,-,ID0.8,D2.5,T0.	3	SA	
S302	AD97-10559A	ASSY-COVER REEL BRAKE;ASSY,DD-4A,ASSY	1	SA	
S310	AD66-00374A	BRAKE-S SOFT;DD-4A,ZYTEL 70G-43L,-,-,-,NAT	1	SNA	
W101	6001-001575	SCREW-MACHINE;PH,+,M1.4,L3.5,ZPC(WHT),SW	1	SA	

# MEMO