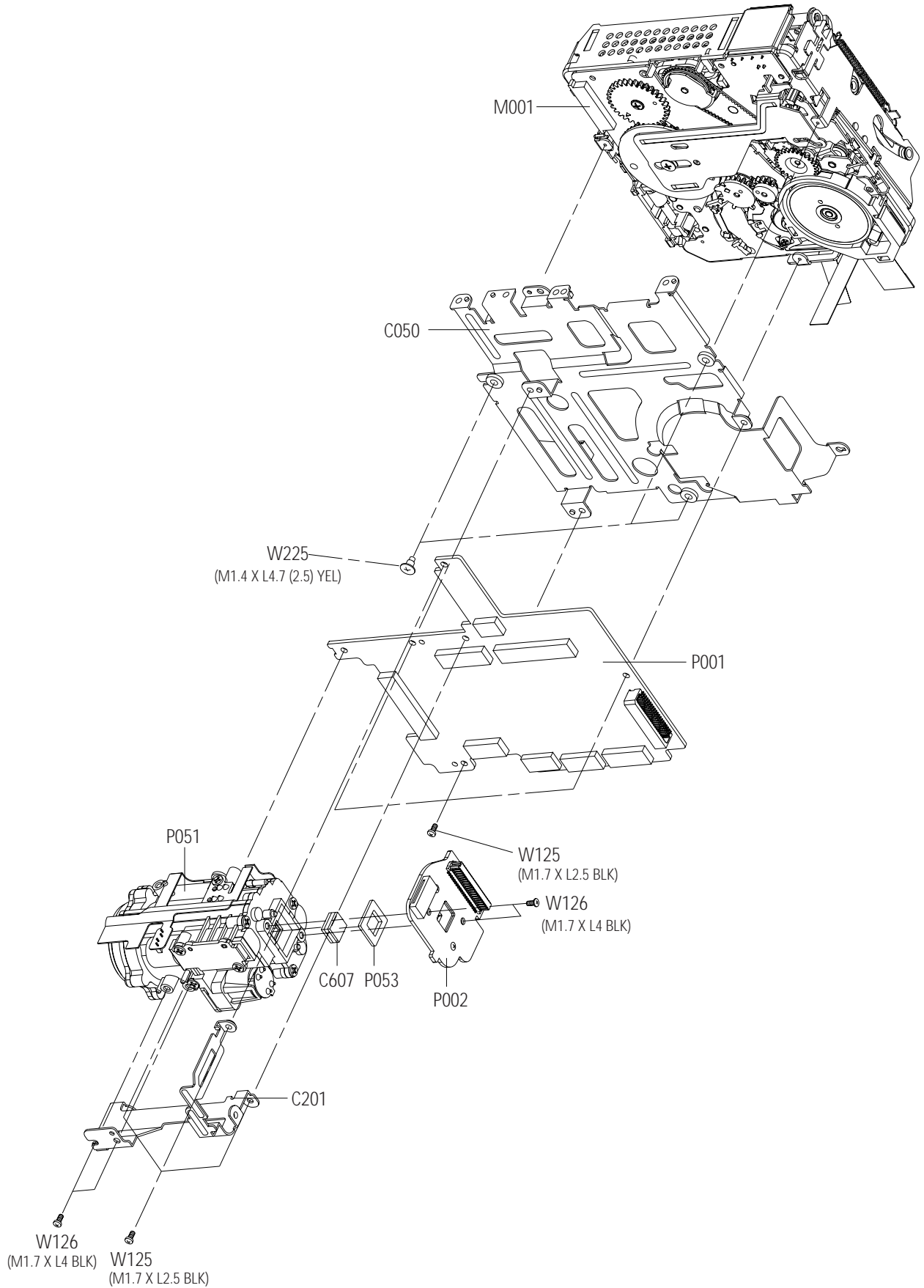

5. Exploded View and Parts List

	Page
5-1 Ass'y Chassis - - - - -	5-2
5-2 Ass'y Left (VP-D353(I)) - - - - -	5-4
5-3 Ass'y Left (VP-D352(I)/VP-D351(I)) - - - - -	5-6
5-4 Ass'y LCD - - - - -	5-8
5-5 Ass'y Front - - - - -	5-10
5-6 Ass'y Rear - - - - -	5-12
5-7 Ass'y EVF - - - - -	5-13
5-8 Ass'y Zoom - - - - -	5-14
5-9 Ass'y Case Right - - - - -	5-15
5-10 Mechanical Parts (Main Chassis) - - - - -	5-16
5-11 Mechanical Parts (Sub Chassis) - - - - -	5-18

Notice

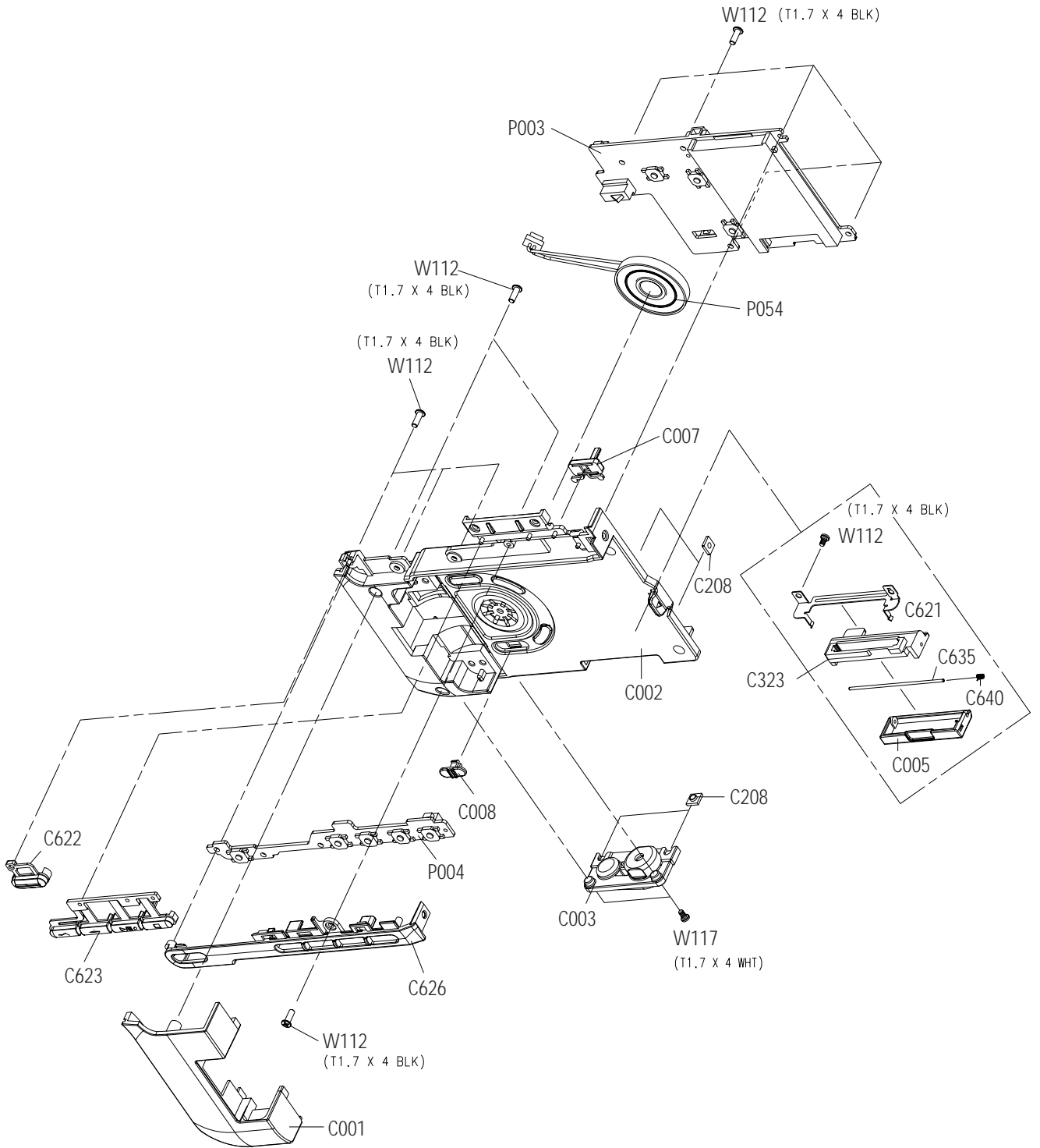
You can search for the updated part code through ITSELF web site.
URL; <http://itself.sec.samsung.co.kr>

5-1 Ass'y Chassis



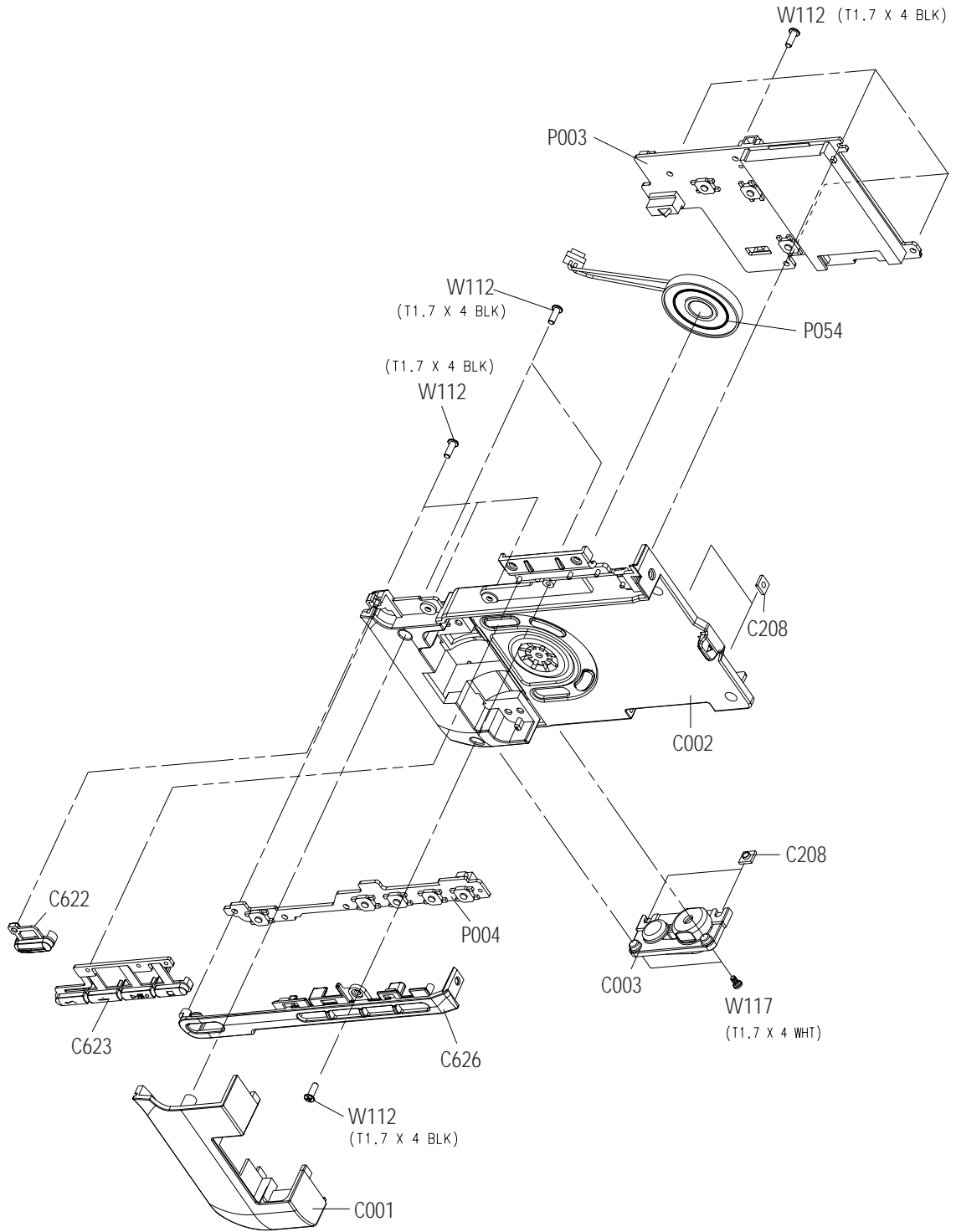
Loc. No	Parts No.	Description ; Specification	Remark
C050	AD97-09608A	ASSY-CHASSIS DECK;ASSY,DRAGON-PJ,-	
C201	AD61-01994A	BRACKET-LENS;DRAGON-PJ,SUS304 1/2H,T0.5,	
C607	0605-001086	CCD:COLOR,DIP,14P,8.2x8.2x2.4mm,68	
M001	AD97-09507A	ASSY-DECK;ASSY,DD-10,-	
P001	AD97-09573A	ASSY-MAIN BOARD;DRAGON-PJ,VP-D353,MAIN B	VP-D353 Only
	AD97-09752C	ASSY-MAIN BOARD;DRAGON-PJ,VP-D353i,MAIN	VP-D353I Only
	AD97-09573C	ASSY-MAIN BOARD;DELTA3-PJ,VP-D352,MAIN B	VP-D352 Only
	AD97-09752B	ASSY-MAIN BOARD;DRAGON-PJ,VP-D352i,MAIN	VP-D352I Only
	AD97-09573D	ASSY-MAIN BOARD;DRAGON-PJ,VP-D351,MAIN B	VP-D351 Only
	AD97-09752A	ASSY-MAIN BOARD;DRAGON-PJ,VP-D351i,MAIN	VP-D351I Only
P002	AD97-09821A	ASSY-CCD BOARD;- ,DELTA3,CCD BOARD,C	
P051	AD97-08324A	ASSY-LENS-ZOOM;PC,SHML,20X	
P053	AD60-00053A	SPACER-CCD;ALPHA_PJ,SILICON,-,-,-,BLK,0.	
W125	6001-001385	SCREW-MACHINE;CH,+,M1.7,L2.5,ZPC(BLK),SW	
W126	6003-001300	SCREW-TAPTITE;CH,+,B,M1.7,L4,ZPC(BLK),SW	
W225	6009-001410	SCREW-SPECIAL;CH,+,-,M1.4,L4.7(2.5),ZPC(

5-2 Ass'y Left (VP-D353(I))



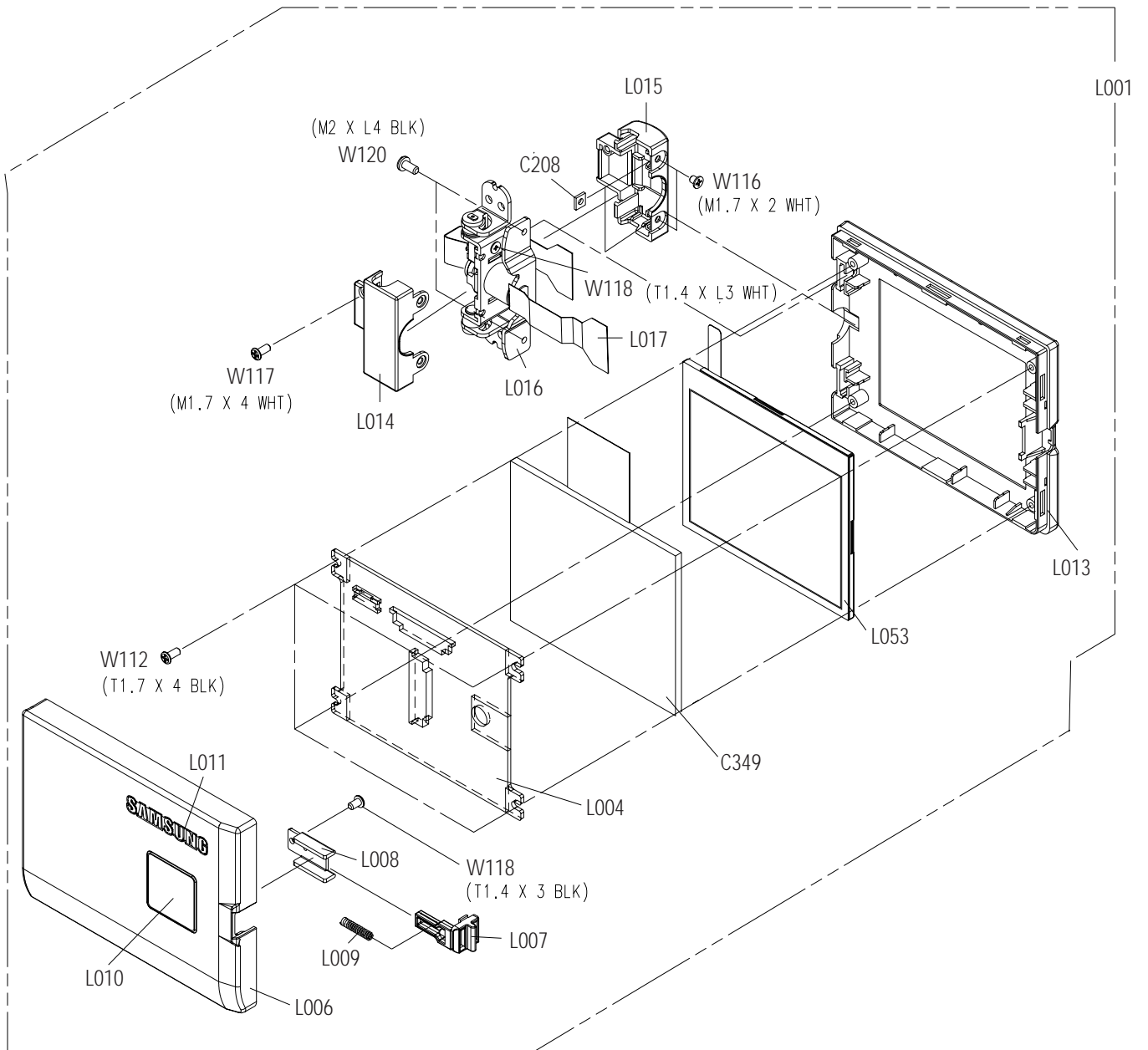
Loc. No	Parts No.	Description ; Specification	Remark
C001	AD63-00709A	COVER-LEFT;DRAGON-PJ,ABS,T14,W30,L58,-,-	
C002	AD61-01977A	CASE-LEFT;SC-D355,ABS 94HB,T25,W79,L99,S	
C003	AD61-01694A	HOLDER-TRIPOD;THETA3-PJ,PC,T1.0,W30,L14,	
C005	AD63-00706B	COVER-DOOR;DRAGON-PJ,PC,T1,W10,L29,-,-,?	
C007	AD61-01988A	HOLDER-SELECT;DRAGON-PJ,POM,T7,W8,L11,NA	
C008	AD64-01322A	KNOB-SELECT;DRAGON-PJ,ABS,T4,W5,L8,-,SIL	
C208	AD61-12033A	BRACKET-NUT;SV-D10,SECC,-,-,-,T0.8	
C323	AD61-02069A	HOLDER-DOOR MS;DRAGON-PJ,ABS,T7,W12,L32,	
C621	AD61-01990A	BRACKET-DOOR;DRAGON-PJ,SUS304 1/2H,T0.8,	
C622	AD64-01314A	BUTTON-FUNCTION A;DRAGON-PJ,ABS,W11xH10x	
C623	AD64-01315A	BUTTON-FUNCTION B;DRAGON-PJ,ABS,W45xH14x	
C626	AD63-00716A	COVER-DUMMY FUNCTION;DRAGON-PJ,ABS,T9,W1	
C635	AD66-00350A	SHAFT-DOOR;DRAGON-PJ,SUS,L35,0.8,-,-,-	
C640	AD61-02005A	SPRING ETC-DOOR;DRAGON-PJ,SUS,0.2,1,1.4,	
P003	AD97-09524C	ASSY-LEFT BOARD;DRAGON-PJ,M/S, EVF,LEFT	
P004	AD97-09526A	ASSY-FUNCTION BOARD;DRAGON-PJ,VP-D353,FU	
P054	AD97-08377A	ASSY-SPEAKER;DELTA2-PJ,SC-D103,SPEAKER	
W112	6003-001453	SCREW-TAPTITE;BH,+,B,M1.7,L4,ZPC(BLK)	
W117	6003-001490	SCREW-TAPTITE;PH,+,B,M1.7,L4,NI PLT,SWCH	

5-3 Ass'y Left (VP-D352(I)/VP-D351(I))



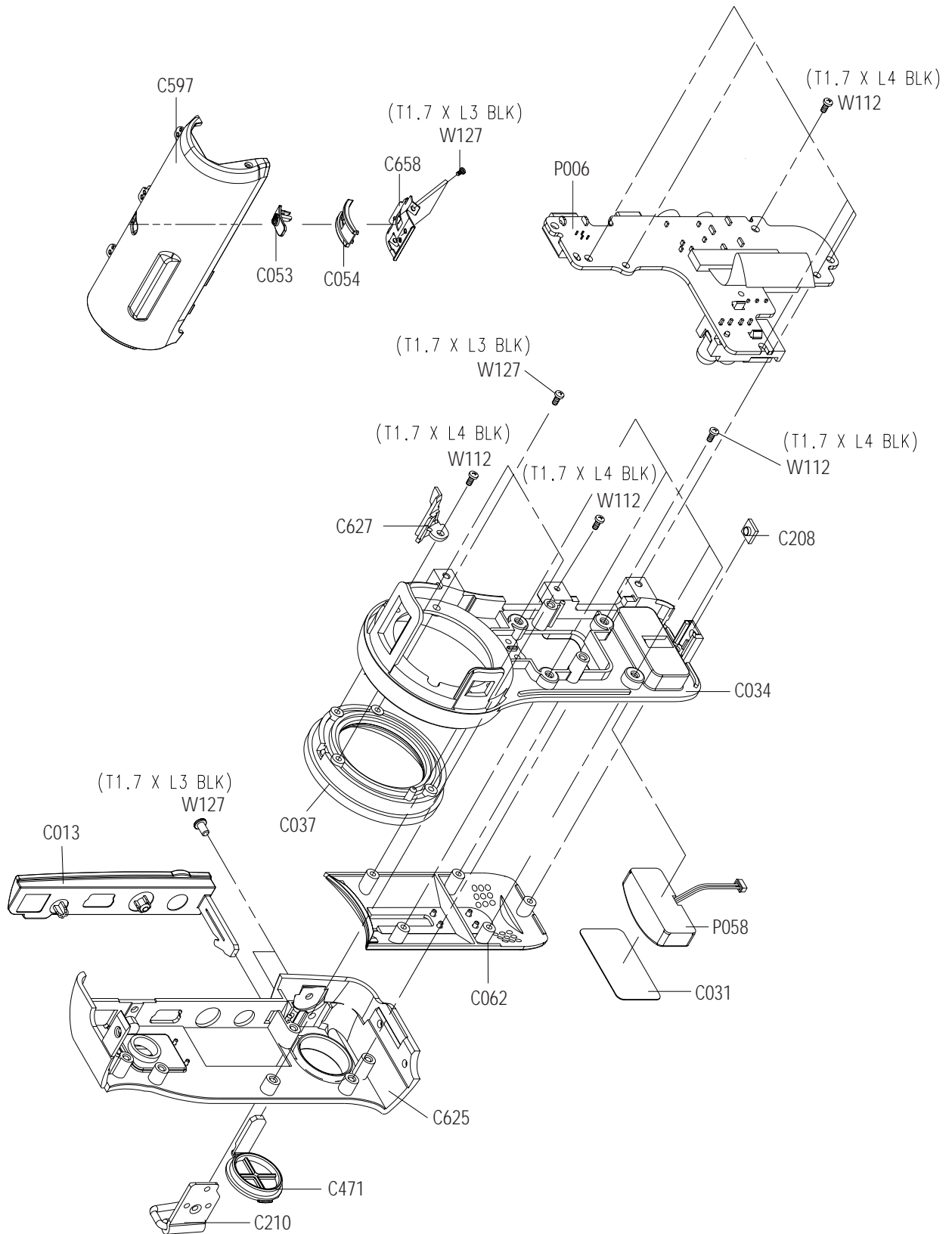
Loc. No	Parts No.	Description ; Specification	Remark
C001	AD63-00709A	COVER-LEFT;DRAGON-PJ,ABS,T14,W30,L58,-,-	
C002	AD61-01977C	CASE-LEFT;SC-D351,ABS 94HB,T25,W79,L99,S	
C003	AD61-01694A	HOLDER-TRIPOD;THETA3-PJ,PC,T1.0,W30,L14,	
C208	AD61-12033A	BRACKET-NUT;SV-D10,SECC,-,-,-,-,T0.8	
C622	AD64-01314A	BUTTON-FUNCTION A;DRAGON-PJ,ABS,W11xH10x	
C623	AD64-01315A	BUTTON-FUNCTION B;DRAGON-PJ,ABS,W45xH14x	
C626	AD63-00716A	COVER-DUMMY FUNCTION;DRAGON-PJ,ABS,T9,W1	
P003	AD97-09524B	ASSY-LEFT BOARD;DRAGON-PJ,NO Slot, EVF,L	
P004	AD97-09526A	ASSY-FUNCTION BOARD;DRAGON-PJ,VP-D353,FU	
P054	AD97-08377A	ASSY-SPEAKER;DELTA2-PJ,SC-D103,SPEAKER	
W112	6003-001453	SCREW-TAPTITE;BH,+ ,B,M1.7,L4,ZPC(BLK)	
W117	6003-001490	SCREW-TAPTITE;PH,+ ,B,M1.7,L4,NI PLT,SWCH	

5-4 Ass'y LCD



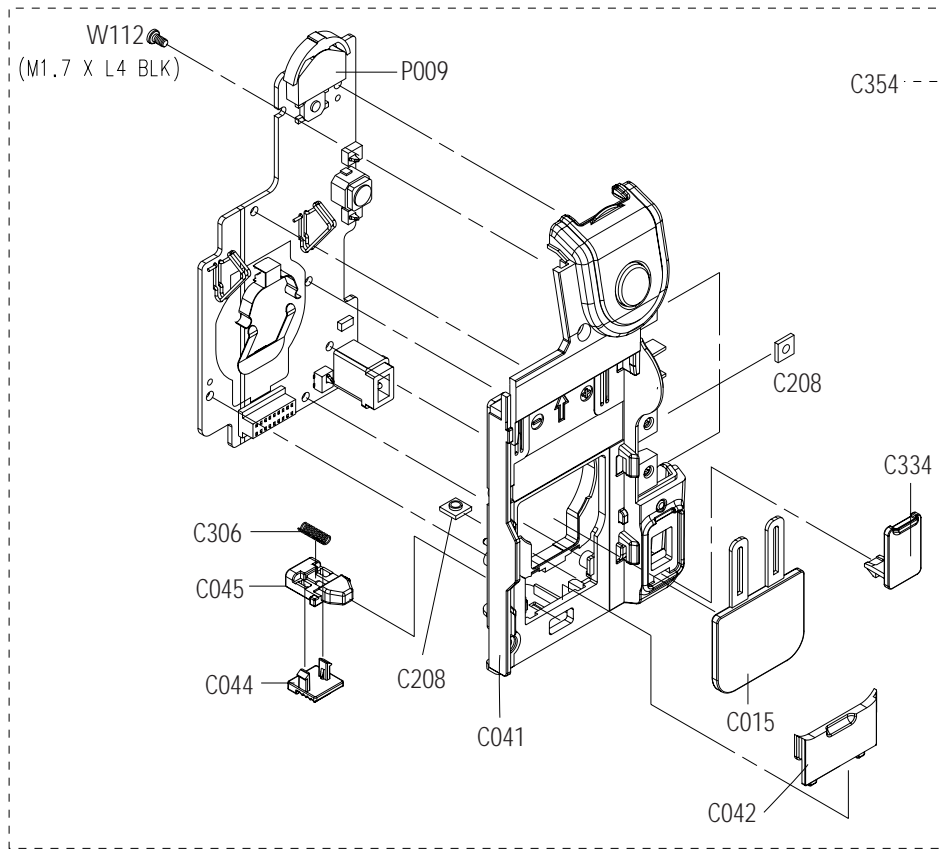
Loc. No	Parts No.	Description ; Specification	Remark
C208	AD61-12033A	BRACKET-NUT;SV-D10,SECC,-,-,-,-,T0.8	
C349	AD97-09664A	ASSY-LED BL;- ,DELTA3-PJ,LED BACK LIGHT	
L001	AD97-09605K	ASSY-LCD;ASSY,VP-D353,-	VP-D353 Only
	AD97-09605L	ASSY-LCD;ASSY,VP-D353i,-	VP-D353I Only
	AD97-09605H	ASSY-LCD;ASSY,VP-D352,-	VP-D352 Only
	AD97-09605J	ASSY-LCD;ASSY,VP-D352i,-	VP-D352I Only
	AD97-09605F	ASSY-LCD;ASSY,VP-D351,-	VP-D351 Only
	AD97-09605G	ASSY-LCD;ASSY,VP-D351i,-	VP-D351I Only
L004	AD97-09599A	ASSY-LCD BOARD;DRAGON-PJ,DIGITAL,LCD BOA	
L006	AD61-01974K	CASE-LCD TOP;VP-D353,ABS94HB,T1.5,W50,L7	VP-D353 Only
	AD61-01974L	CASE-LCD TOP;VP-D353i,ABS94HB,T1.5,W50,L	VP-D353I Only
	AD61-01974H	CASE-LCD TOP;VP-D352,ABS94HB,T1.5,W50,L7	VP-D352 Only
	AD61-01974J	CASE-LCD TOP;VP-D352i,ABS94HB,T1.5,W50,L	VP-D352I Only
	AD61-01974F	CASE-LCD TOP;VP-D351,ABS94HB,T1.5,W50,L7	VP-D351 Only
	AD61-01974G	CASE-LCD TOP;VP-D351i,ABS94HB,T1.5,W50,L	VP-D351I Only
L007	AD64-01329A	LOCKER-LCD;DRAGON-PJ,POM,NATU,-,-,T3.5,W	
L008	AD63-00745A	COVER-LOCK LCD;DRAGON-PJ,ABS,T2,W5,L8,-,	
L009	AD61-01299A	SPRING ETC-LOCK LCD;THETA-PJ,SWPB,-,-,-,	
L010	AD64-01332B	INLAY-MS;DRAGON-PJ,PC,T0.6,W15,L15,SIL,	VP-D353(I) Only
	AD64-01332C	INLAY-DV;DRAGON-PJ,PC,T0.6,W15,L15,SIL,	VP-D352(I)/D351(I) Only
L011	AD64-00808A	BADGE-SAMSUNG;ALPHA_PJ,AL,T0.7,-,-,-,SIL	
L013	AD61-01975A	CASE-LCD BOTTOM;DRAGON-PJ,ABS 94HB,T4,W5	
L014	AD63-00562A	COVER-HINGE TOP 2.5;DELTA2-PJ,ABS 94V0,	
L015	AD63-00563A	COVER-HINGE BOTTOM 2.5;DELTA2-PJ,ABS 94	
L016	AD97-08469A	ASSY-HINGE;- ,DELTA2-PJ,HINGE	
L017	AD97-06489A	ASSY-LCD FPC;.,DELTA-PJ,LCD FPC	
L053	AD07-00049A	LCD-PANNEL;A024CN02 V0,DELTA3-PJ,480*234	
W112	6003-001453	SCREW-TAPTITE;BH,+,B,M1.7,L4,ZPC(BLK)	
W116	6001-001527	SCREW-MACHINE;CH(0.3),+,M1.7,L2.0,NI PLT	
W117	6003-001490	SCREW-TAPTITE;PH,+,B,M1.7,L4,NI PLT,SWCH	
W118	6003-001291	SCREW-TAPTITE;CH,+,B,M1.4,L3.0,ZPC(BLK),	
W120	6001-001716	SCREW-MACHINE;BH,+,M2,L4,NI PLT	

5-5 Ass'y Front



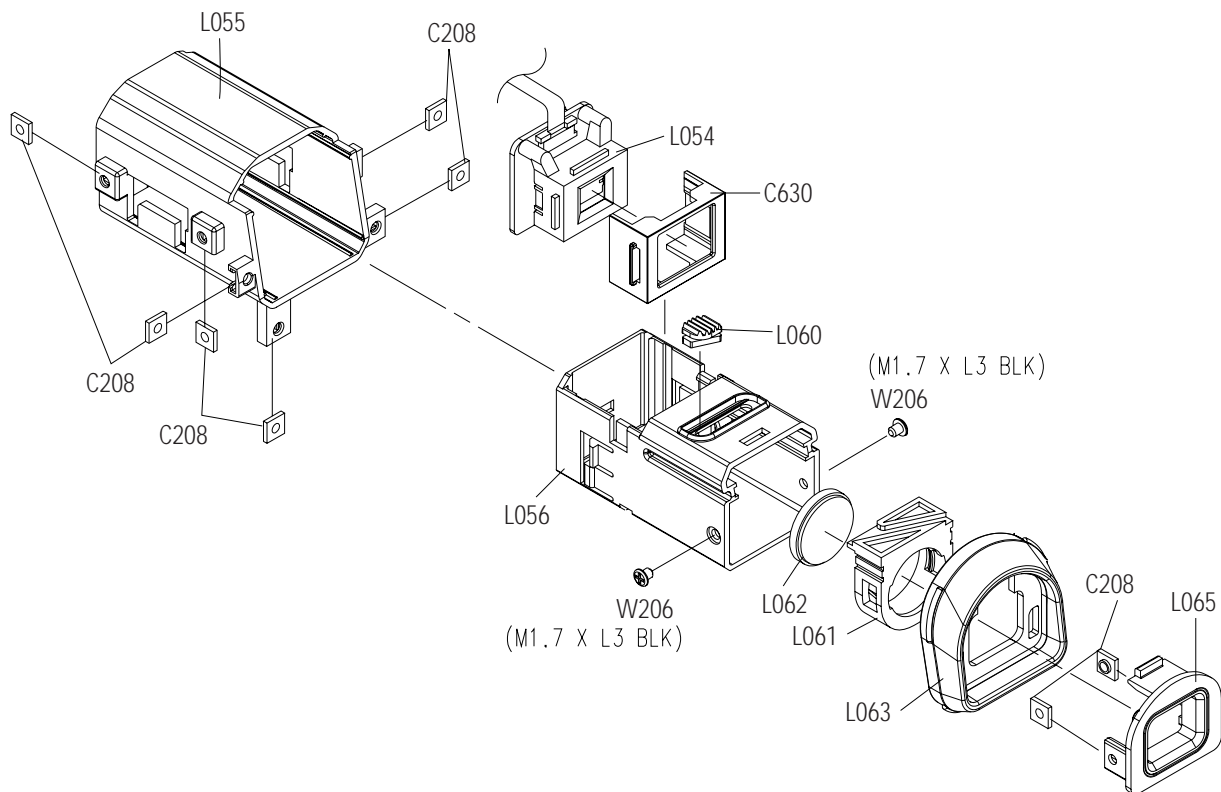
Loc. No	Parts No.	Description ; Specification	Remark
C013	AD63-00713A	COVER-JACK;DRAGON-PJ,ABS+URETHAN,T3,W8,L	
C031	AD63-00568A	SHEET-MIC;DELTA2-PJ,PC,T0.2,W12.2,L2	
C034	AD61-01976A	CASE-FRONT;DRAGON-PJ,ABS 94HB,T13,W20,L8	
C037	AD61-01984A	HOLDER-HOOD;DRAGON-PJ,PC,T10,W34,L34,BLK	
C053	AD64-01319A	KNOB-NIGHT SHOT;DRAGON-PJ,ABS 94HB,T6,W1	
C054	AD61-01985A	HOLDER-NIGHT SHOT;DRAGON-PJ,ABS,T12,W15,	
C062	AD63-00707A	COVER-FRONT;DRAGON-PJ,ABS,T5,W23,L55,-,-	
C208	AD61-12033A	BRACKET-NUT;SV-D10,SECC,-,-,-,T0.8	
C210	AD61-01993A	BRACKET-GRIP FRONT;DRAGON-PJ,SUS304 1/2H	
C471	AD63-00705A	COVER-S JACK;DRAGON-PJ,URETHAN,T3,W14,L1	
C597	AD63-00710A	COVER-TOP;DRAGON-PJ,ABS,T34,W38,L102,-,-	
C625	AD63-00714A	COVER-DUMMY FRONT;DRAGON-PJ,ABS 94HB,T23	
C627	AD63-00719A	COVER-DUMMY TOP;DRAGON-PJ,PC,T11,W11,L8,	
C658	AD61-01995A	BRACKET-NIGHT SHOT;DRAGON-PJ,SUS304 1/2H	
P006	AD97-09525A	ASSY-JACK BOARD;DRAGON-PJ,ALL (0),JACK B	VP-D353(I) Only
	AD97-09525F	ASSY-JACK BOARD;DRAGON-PJ,USB,JACK BOARD	VP-D352(I) Only
	AD97-09525C	ASSY-JACK BOARD;DRAGON-PJ,NITE,JACK BOAR	VP-D351(I) Only
P058	AD97-08597A	ASSY-UNIT MIC;- ,THETA2-PJ,UNIT MIC	
W112	6003-001453	SCREW-TAPTITE;BH,+ ,B,M1.7,L4,ZPC(BLK)	
W127	6003-001292	SCREW-TAPTITE;CH(0.3),+ ,B,M1.7,L3,ZPC(BL	

5-6 Ass'y Rear



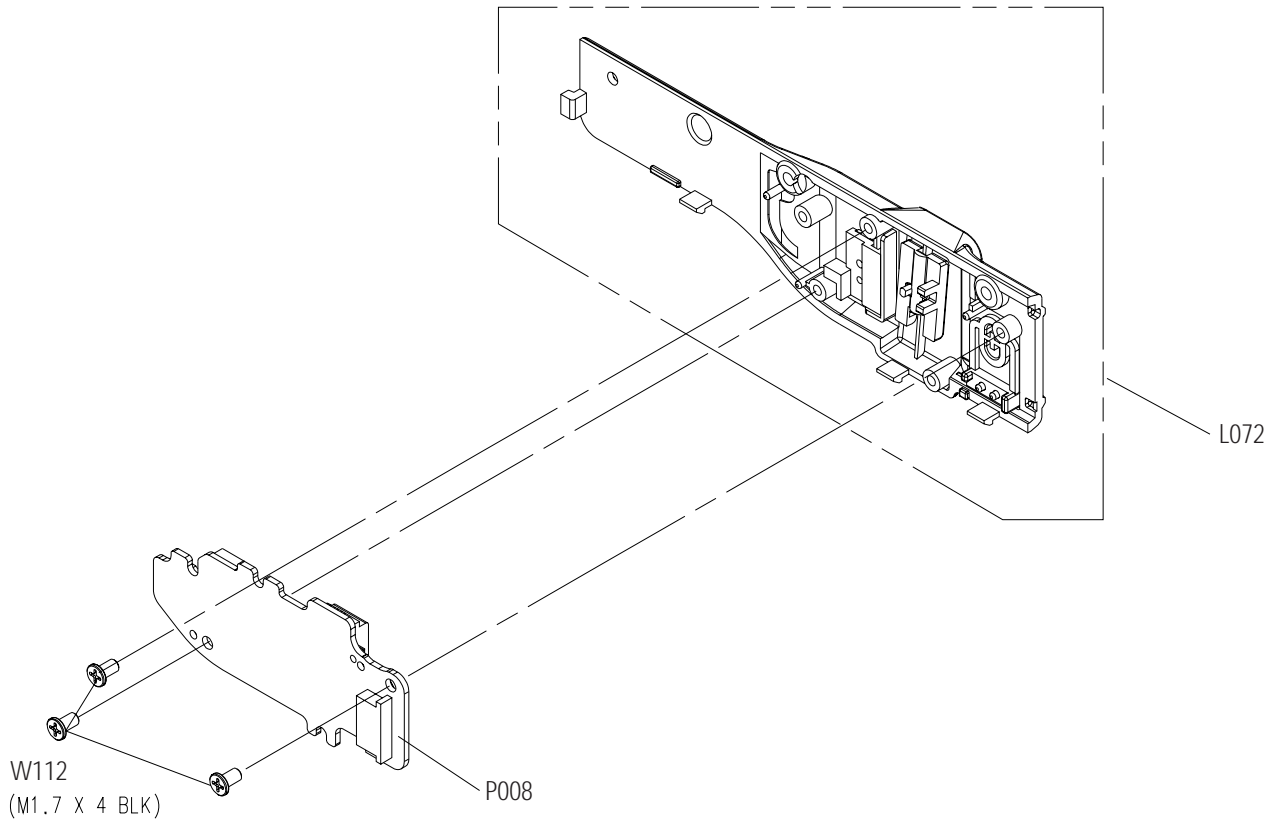
Loc. No	Parts No.	Description ; Specification	Remark
C015	AD63-00527D	COVER-LI BATTERY;OMEGA2-PJ(2M),ABS94+URE	
C042	AD63-00584B	COVER-JIG;OMEGA2-PJ(2M),ABS 94HB,T2,W20,	
C044	AD64-01156B	KNOB-BATTERY EJECT;DRAGON-PJ,ABS 94HB,T5	
C045	AD61-01980A	HOLDER-BATT EJECT;DRAGON-PJ,ABS,T3.2,W9,	
C208	AD61-12033A	BRACKET-NUT;SV-D10,SECC,-,-,-,T0.8	
C306	AD61-01625B	SPRING ETC-BATTERY EJECT;THETA2-PJ,SUS30	
C334	AD63-00704A	COVER-DC JACK;DRAGON-PJ,URETHAN,T7,W8.2,	
C354	AD97-09612A	ASSY-REAR;ASSY,DRAGON-PJ,-	
P009	AD97-09529A	ASSY-REAR BOARD;DRAGON-PJ,SC-D353,REAR B	
W112	6003-001453	SCREW-TAPTITE;BH,+,B,M1.7,L4,ZPC(BLK)	

5-7 Ass'y EVF



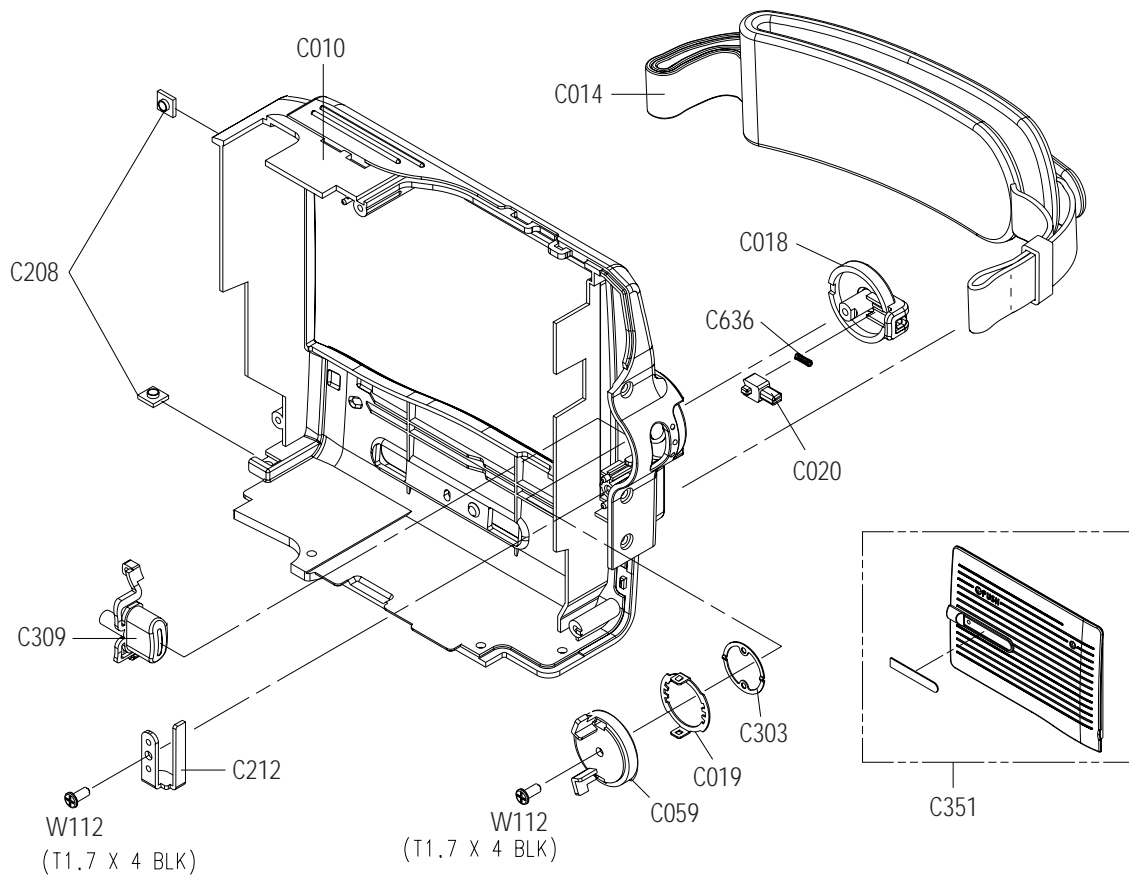
Loc. No	Parts No.	Description ; Specification	Remark
C208	AD61-12033A	BRACKET-NUT;SV-D10,SECC,-,-,-,T0.8	
C630	AD61-01983A	HOLDER-FRAMELESS;DRAGON-PJ,ABS,T8.7,W15.	
L054	AD97-09093A	ASSY-UNIT EVF;0.16 PAL,DELTA2-PJ,UNIT-E	
L055	AD61-01972A	CASE-EVF MAIN;DRAGON-PJ,PC/ABS,T32,W32,L	
L056	AD61-01973A	CASE-EVF SLIDE;DRAGON-PJ,ABS 94V0,T21.7,	
L060	AD64-01165B	KNOB-EVF;DRAGON-PJ,POM,T4.5,W3.6,L5,-,G	
L061	AD61-01609A	HOLDER-LENS EVF;DELTA2-PJ,ABS 94 HB,T7.8	
L062	AD67-00250A	LENS-EVF 18X-G1;SHML-PJ,PMMA,WHITE,15,6,	
L063	AD73-00145A	RUBBER-EYE CUP;DRAGON-PJ,URETHANE,W10.8x	
L065	AD61-01982A	HOLDER-EYE CUP;DRAGON-PJ,ABS,T7.1,W18.5,	
W206	6001-001373	SCREW-MACHINE;PH,T0.5,+,M1.7,L3.0,BLK,SW	

5-8 Ass'y Zoom



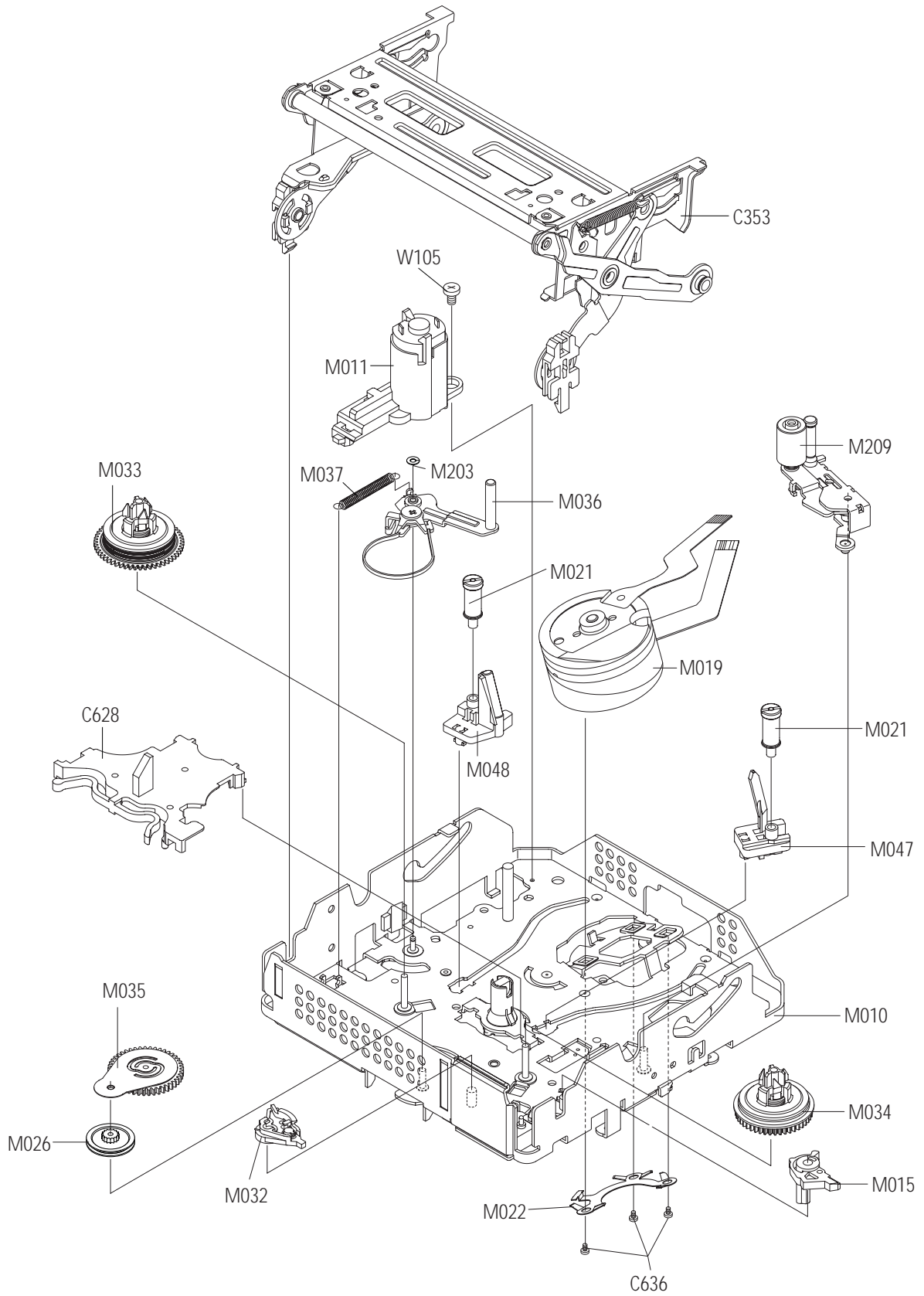
Loc. No	Parts No.	Description ; Specification	Remark
L072	AD97-09683A	ASSY-CASE ZOOM;ASSY,DRAGON-PJ,EXPORT	
P008	AD97-09527A	ASSY-TOP BOARD;DRAGON-PJ,SC-D353,TOP BOA	
W112	6003-001453	SCREW-TAPTITE;BH,+,B,M1.7,L4,ZPC(BLK)	

5-9 Ass'y Case Right



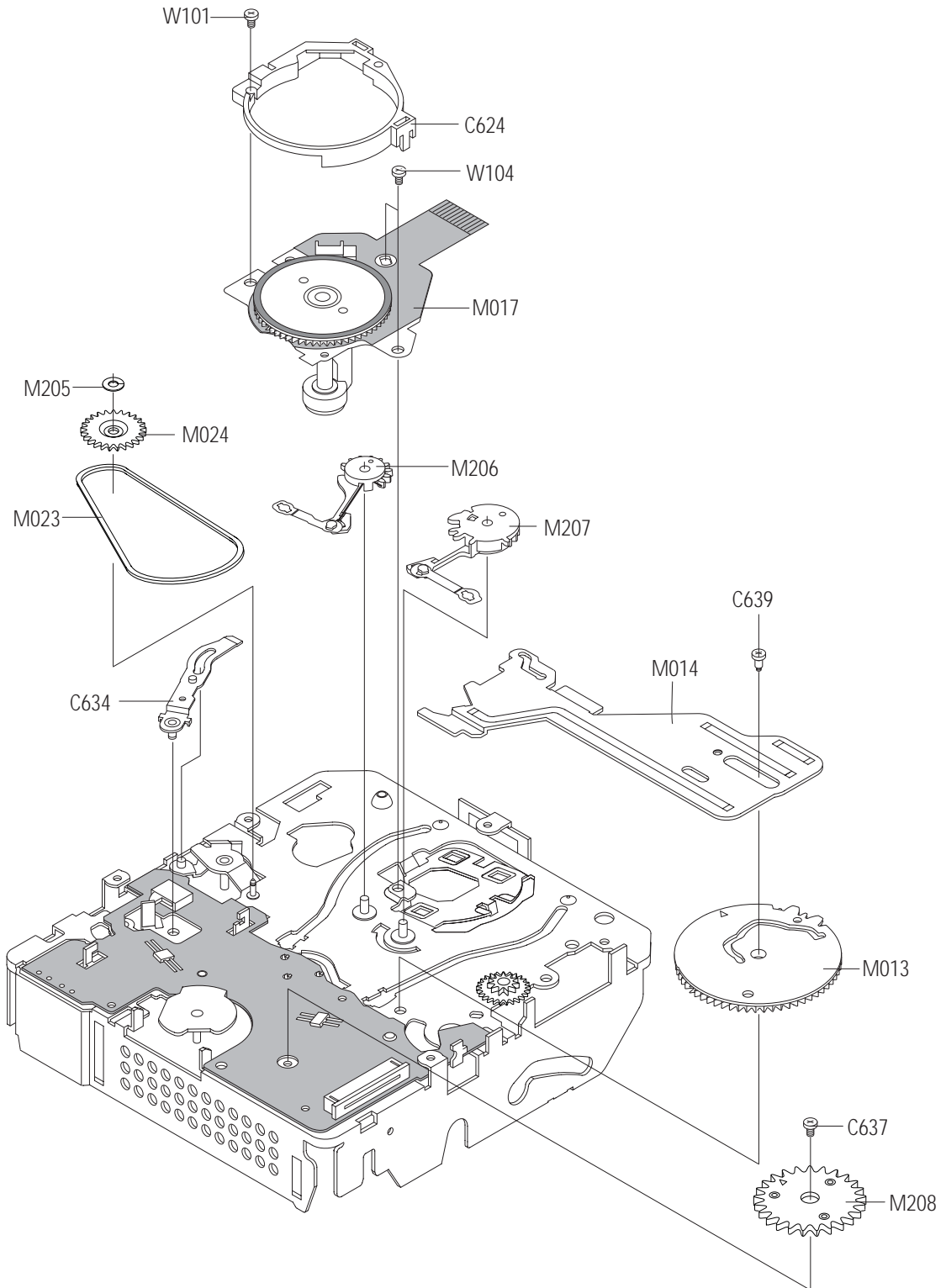
Loc. No	Parts No.	Description ; Specification	Remark
C010	AD61-01978A	CASE-RIGHT;DRAGON-PJ,ABS 94HB,T36,W85,L1	
C014	AD59-00139A	UNIT-BELT GRIP;DRAGON-PJ,-,LEATHER,-,-,-	
C018	AD64-01321A	KNOB-POWER;DRAGON-PJ,ABS,T7.4,W16,L18.1,	
C019	AD61-01996A	PLATE-POWER;DRAGON-PJ,SUS 305 1/2H,T0.5,	
C020	AD64-01325A	LOCKER-POWER;DRAGON-PJ,POM,GREEN,-,-,T3.	
C059	AD61-01986A	HOLDER-POWER;DRAGON-PJ,ABS,T7.3,W14.5,L1	
C208	AD61-12033A	BRACKET-NUT;SV-D10,SECC,-,-,-,-,T0.8	
C212	AD61-01307A	BRACKET-GRIP BACK;THETA-PJ,SUS,T0.8,-,-,	
C303	AD61-01169A	SPRING ETC-PLATE RECORD;DELTA-PJ,SUS ,-,	
C309	AD64-01317A	BUTTON-REC;DRAGON-PJ,ABS+PC,W6.2xL16.5xH	
C351	AD97-09609A	ASSY-COVER HOUSING;ASSY,DRAGON-PJ,-	
C636	AD61-02006A	SPRING ETC-POWER;DRAGON-PJ,SUS,0.16,1,1.	
W112	6003-001453	SCREW-TAPTITE;BH,+ ,B,M1.7,L4,ZPC(BLK)	

5-10 Mechanical Parts (Main Chassis)



Loc. No	Parts No.	Description ; Specification	Remark
C353	AD97-09363A	ASSY-HOUSING;ASSY,DD-10,-	
C628	AD63-00650A	COVER-REEL;DD-10,DURACON M90-44,-,-,-,-,-	
C638	AD61-01925A	STUD-GUIDE DRUM;DD-10,SWCH16A,-,OD1.4,L4	
M010	AD97-09504A	ASSY-MAIN CHASSIS;ASSY,DD-10,-	
M011	AD97-09506A	ASSY-LOADING MOTOR;ASSY,DD-10,-	
M015	AD66-00322A	LEVER-EJECT;DD-10,POM(DURACON MS-02),-,-	
M019	AD97-09582A	ASSY-DRUM;ASSY,DD-10,FP2 layer,TOE	
M019	AD97-09689A	ASSY-DRUM;ASSY,DD-10,Coil Motor,TOE	
M021	AD61-01923A	GUIDE-ROLLER;DD-10,HE73M,D3.2,-,-,-,-,-	
M022	AD61-01864A	PLATE-SPRING BASE;DD-10,SUS303,T0.15,-,-	
M026	AD66-00316A	GEAR-PULLEY;DD-10,DURACON (M90-44),-,-,-	
M032	AD97-09367A	ASSY-BRAKE T;ASSY,DD-10,-	
M033	AD97-09364A	ASSY-REEL DISK S;ASSY,DD-10,-	
M034	AD97-09365A	ASSY-REEL DISK T;ASSY,DD-10,-	
M035	AD97-09366A	ASSY-IDLER;ASSY,DD-10,-	
M036	AD97-09362A	ASSY-ARM TENSION;ASSY,DD-10,-	
M037	AD61-01904A	SPRING ETC-TENSION;-,-,SUS304 WPB,0.16,-,-	
M047	AD97-09360A	ASSY-POLE BASE T;ASSY,DD-10,-	
M048	AD97-09359A	ASSY-POLE BASE S;ASSY,DD-10,-	
M203	6031-001430	WASHER-PLAIN;POLYSLIDER,-,ID0.8,D2.5,T0.	
M209	AD97-09361A	ASSY-PINCH REVIEW;ASSY,DD-10,-	
W105	6001-001590	SCREW-MACHINE;PH,+ ,M1.4,L2.2,ZPC(BLK),SW	

5-11 Mechanical Parts (Sub Chassis)



Loc. No	Parts No.	Description ; Specification	Remark
C624	AD63-00672A	COVER-CAPSTAN;DD-10,POM(DURACON M90-44),	
C634	AD66-00318A	LEVER-REVIEW;DD-10,SECC,T0.5,-,-,-,-,-	
C637	AD61-01916A	STUD-GEAR-MODE-SWITCH;DD-10,SWRCH18A,T2.	
C639	AD61-01917A	STUD-SLIDE MAIN;DD-10,SWRCH18A,T2.6,-,L5	
M013	AD66-00312A	GEAR-CAM MAIN;DD-10,POM(TR-20),-,-,-,-,-	
M014	AD66-00327A	SLIDER-MAIN;DD-10,SECC,T0.5,-,-,-,-,-	
M017	AD97-09242A	ASSY-CAPSTAN MOTOR;ASSY,DD-10,f,T,Ω,Ω,f	
M023	AD66-00330A	PULLEY-BELT TIMING;DD-10,POLYURETHAN Z,-	
M024	AD66-00313A	GEAR-CAPSTAN;DD-10,DYAMID(L1742K),-,-,-,-	
M205	6031-001432	WASHER-PLAIN;POLYSLIDE,M2.5,ID1.6,OD2.5,	
M206	AD97-09357A	ASSY-ARM LOADING S;ASSY,DD-10,-	
M207	AD97-09358A	ASSY-ARM LOADING T;ASSY,DD-10,-	
M208	AD97-09374A	ASSY-GEAR MODE SWITCH;ASSY,DD-10,-	
W101	6001-001575	SCREW-MACHINE;PH,+ ,M1.4,L3.5,ZPC(WHT),SW	
W104	6001-001715	SCREW-MACHINE;BH,+ ,M1.4,L2.2,ZPC(BLK)	

MEMO