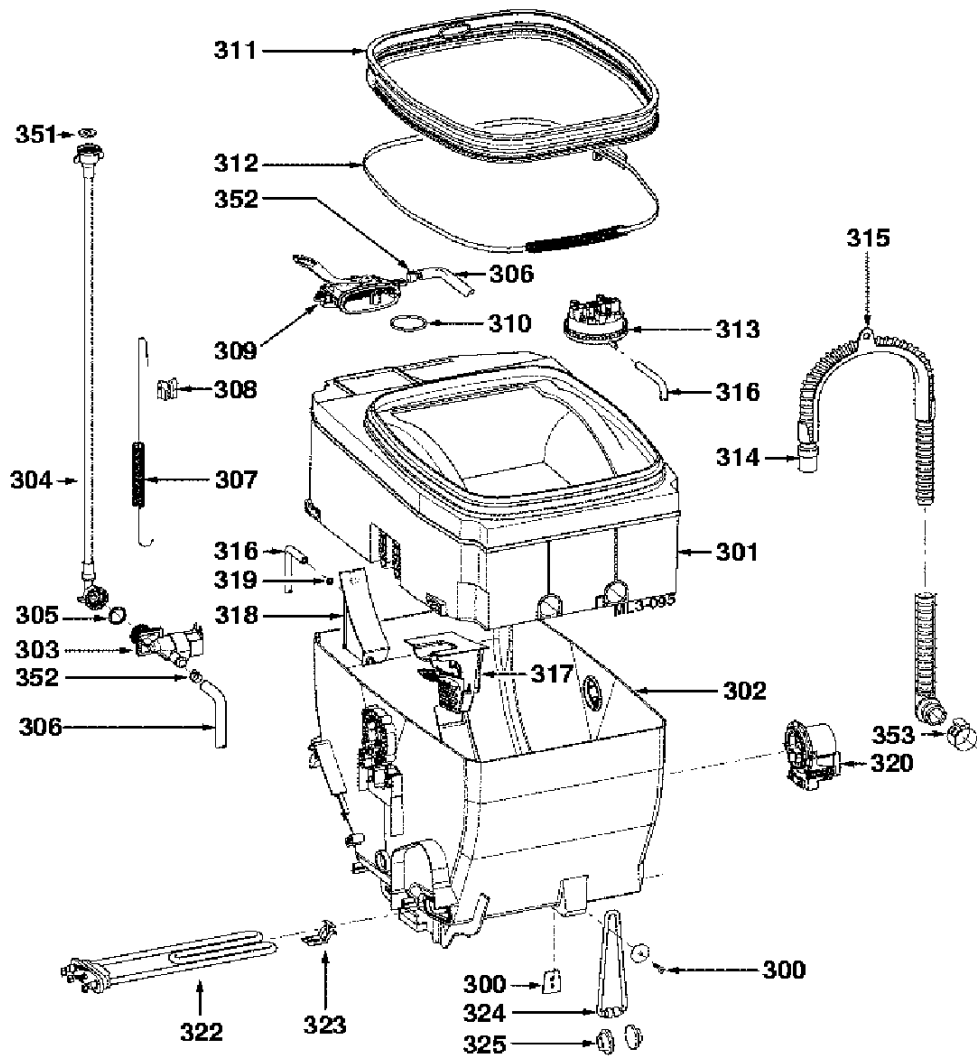
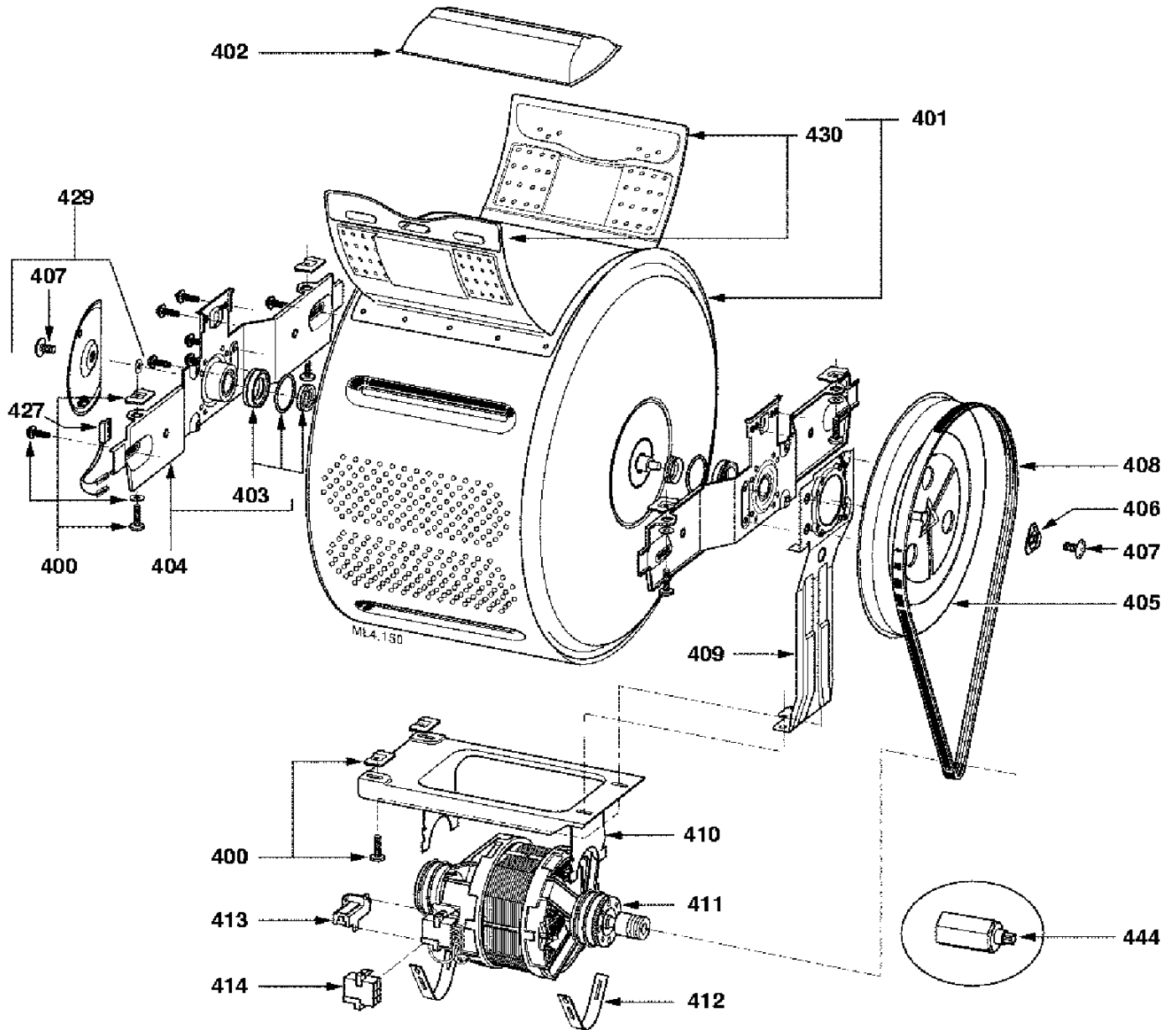


**ML2-244**



ML3-095



**ML4-150**