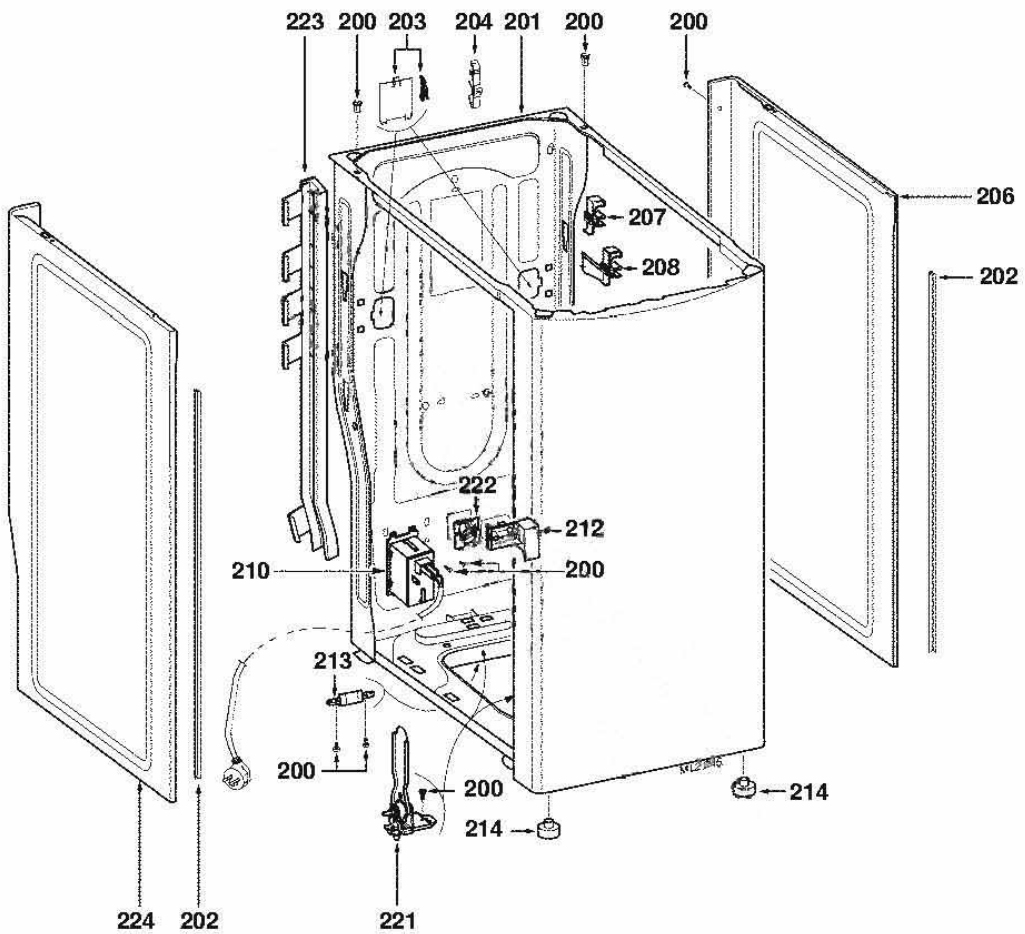
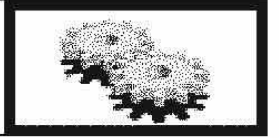


VLT4085  
VLT4085-FF/F  
L3037

**VEDETTE** 



**ML2-245**

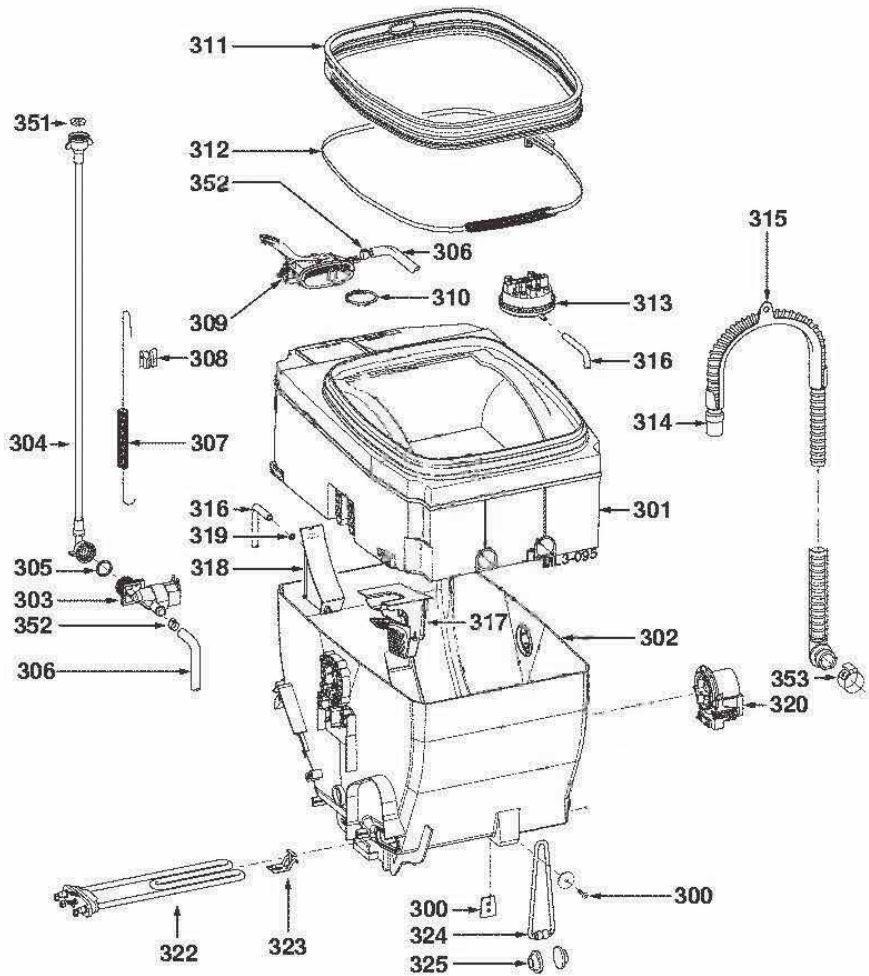
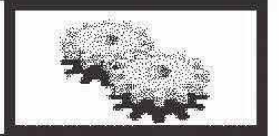
**E3 ElcoBrandt**  
Brandt Customer Services

**5VL0470**

01/2007  
3/8

VLT4085  
VLT4085-FF/F  
L3037

**VEDETTE** 



**ML3-095**

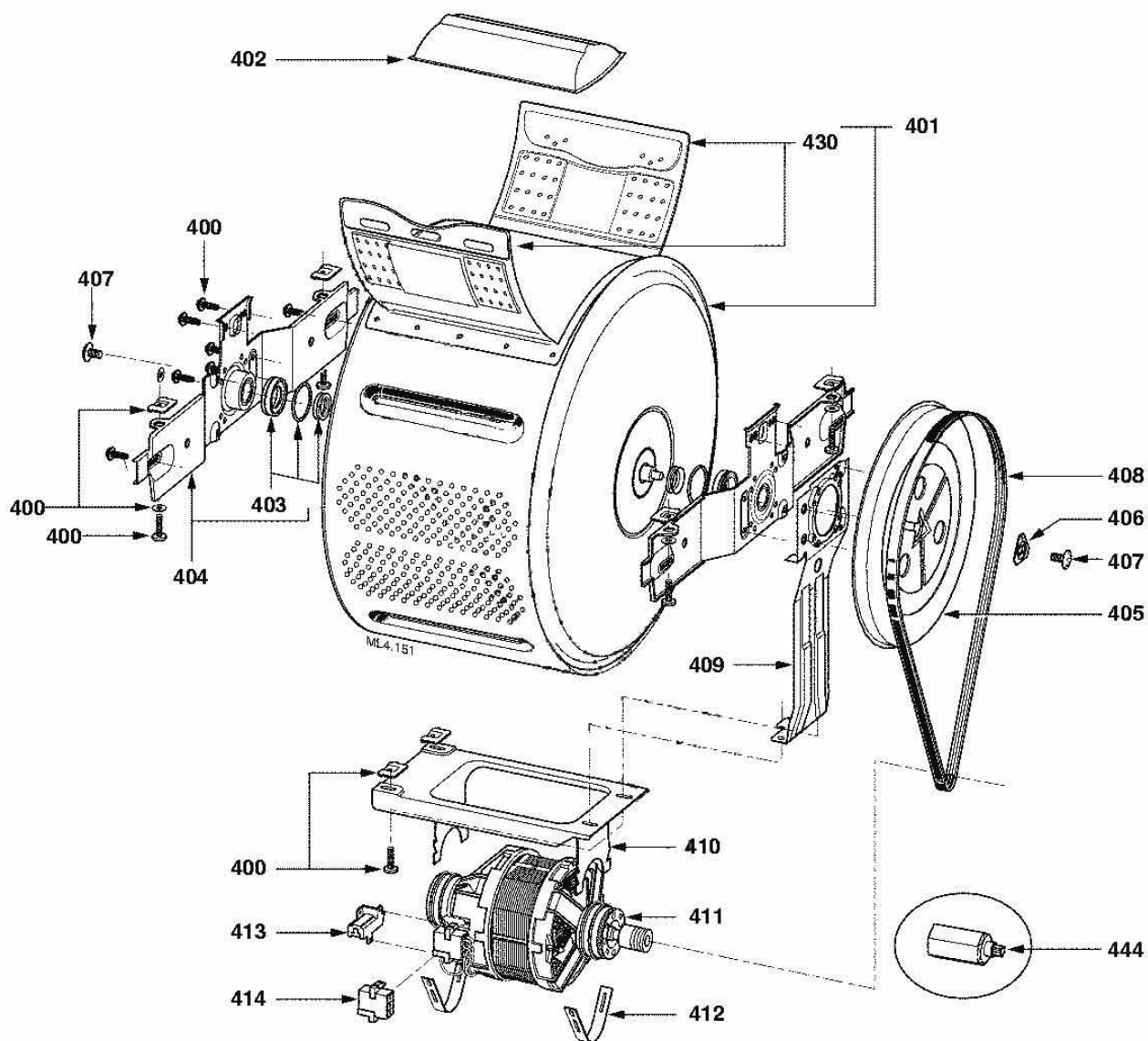
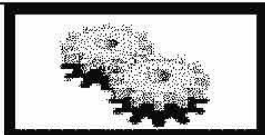
**ElcoBrandt**  
Brandt Customer Services

**5VL0470**

01/2007  
5/8

VLT4085  
VLT4085-FF/F  
L3037

**VEDETTE** 



**ML4-151**

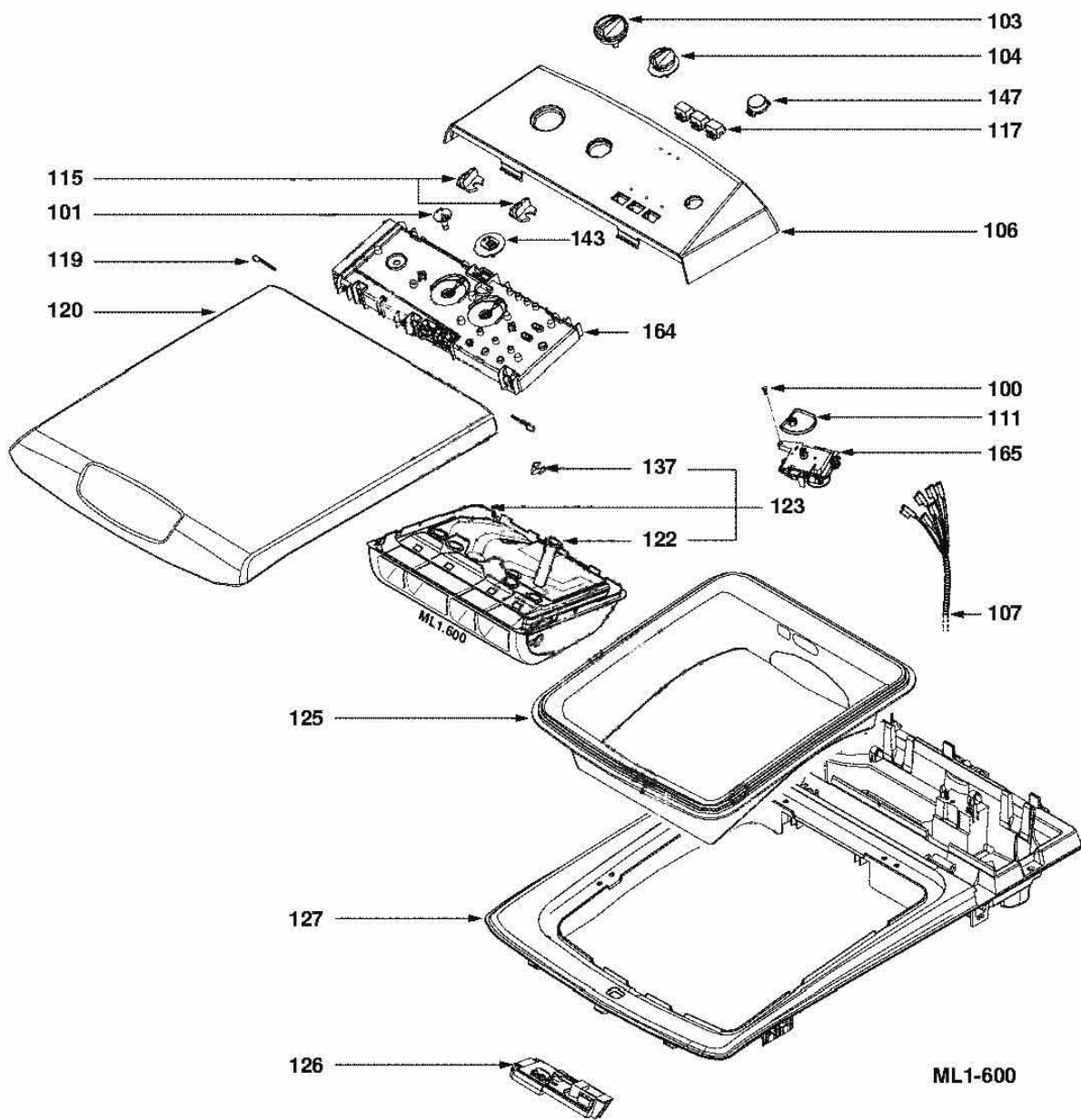
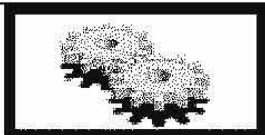
**E3 ElcoBrandt**  
Brandt Customer Services

**5VL0470**

01/2007  
7/8

VLT4085  
VLT4085-FF/F  
L3037

**VEDETTE** 



**E3 ElcoBrandt**  
Brandt Customer Services

5VL0470

01/2007  
1/8