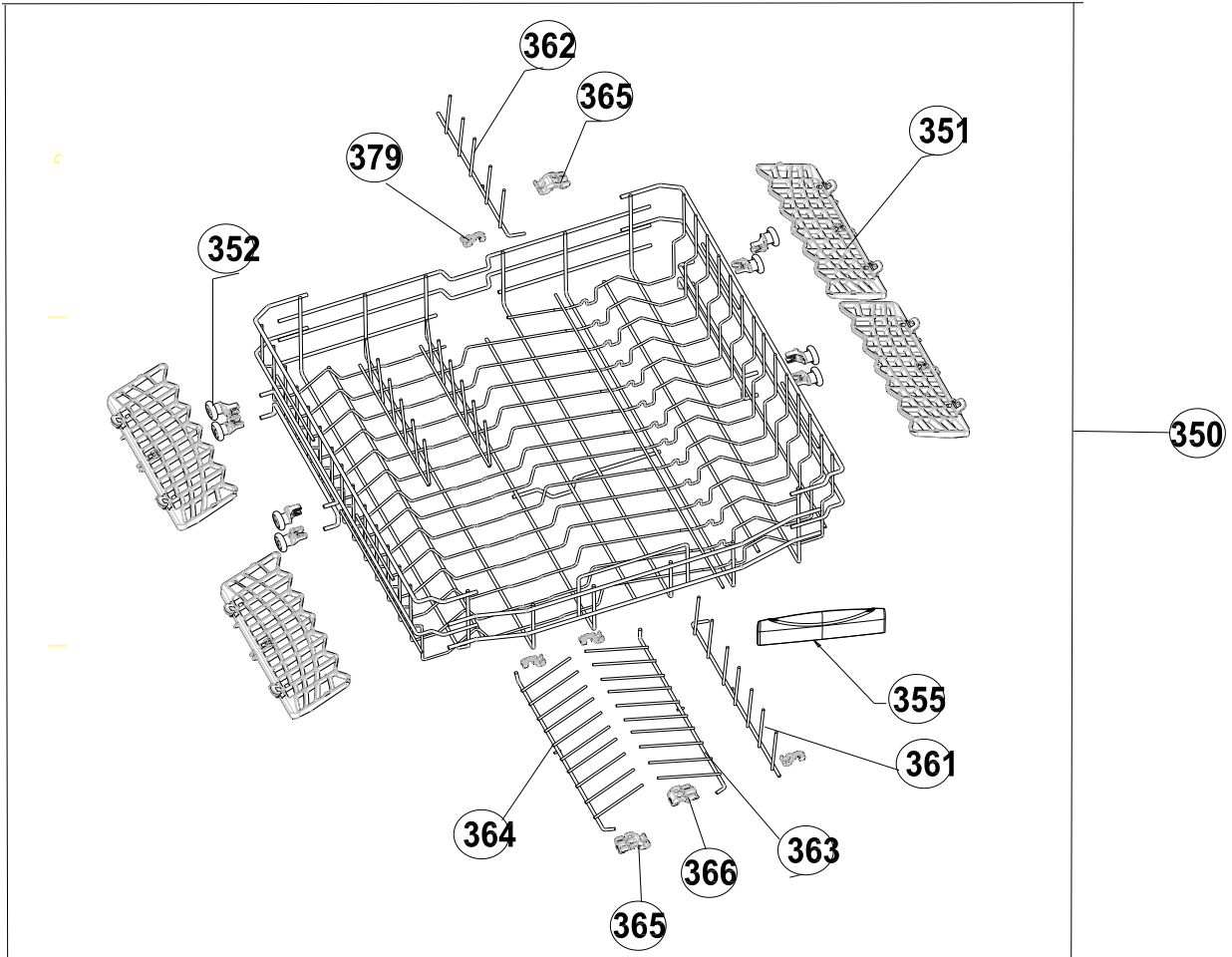
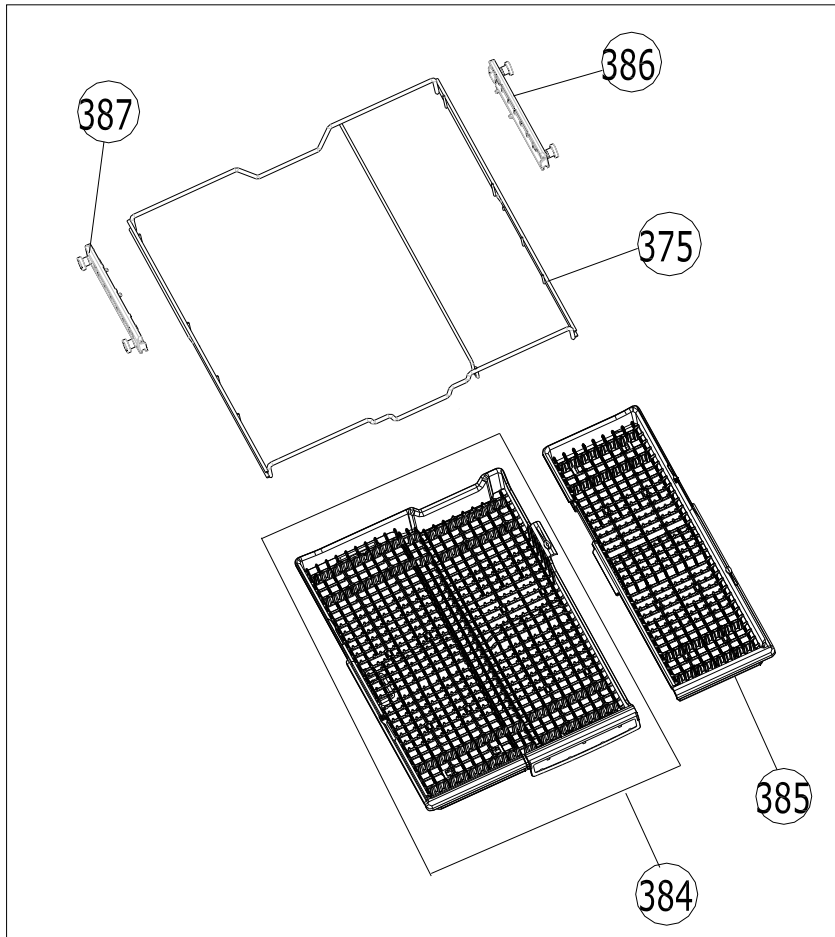


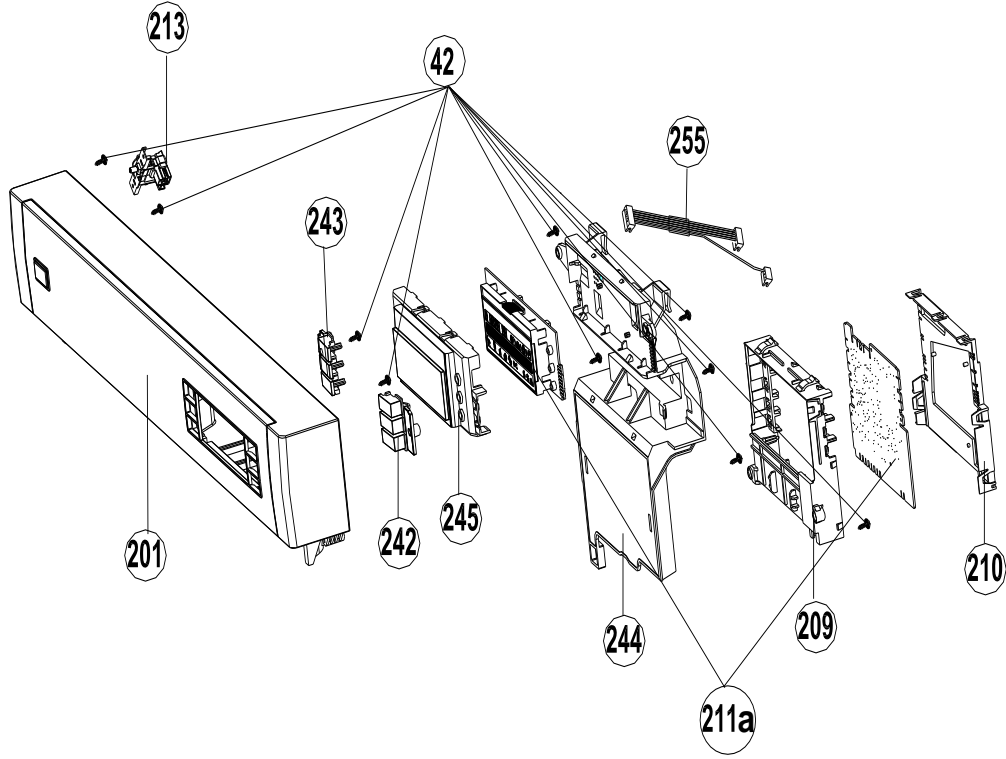
NO	PART NAME
300	LOWER BASKET GR-IWITH PLS HND/INOX/15 (301-302-303-304-309-314-315-316-317-318)
301	LOWER BASKET WHEEL GR-RAL 7046
316	FOLDDOWN COMB-RIGHT-BACK-R7452/15K
309	FOLDDOWN COMB-RIGHT-FRNT-R7452/15K
317	FOLDDOWN COMB-PER-RIGHT-VERTICAL-R7452/15K
318	FOLDDOWN COMB-PER-LEFT-VERTICAL-R7452/15K
304	FOLDING SPIKES MECHANISM-LEFT RAL 7046
303	FOLDING SPIKES MECHANISM-RIGHT RAL 7046
314	PER FOLDING SPIKES MECH-LEFT RAL 7046
315	PER FOLDING SPIKES MECH-RIGHT RAL 7046
302	FOLDABLE COMBS HOLDER PLS-RAL 7046
	MODULER CUTLERY GR-RAL 7046 (326-327-328)
325	MODULER CUTLERY-RAL 7046
328	MODULER CUTLERY-RAL 7046
326	MODULER CUTLERY HANDLE-RAL 5023
327	MODULER CUTLERY COVER-RAL 7046
307	ALT SEPET PLASTİK TUTAMAK-RAL 5023
360	UNIVERSAL CUTLERY GR-7046



NO	PART NAME
350	UPPER BASKET GR
351	MUG SHELF/45
352	UPPER BASKET WHEEL GR
355	UPPER BASKET HANDLE
361	FOLDING SPIKES-1A
362	FOLDING SPIKES-1B
363	FOLDING SPIKES-2A
364	FOLDING SPIKES-2B
365	FOLDING SPIKES MECHANISM-1
366	FOLDING SPIKES MECHANISM-2
379	FOLDING SPIKES HOLDER PLS



NO	PART NAME
384	3.BASKET LARGE BASKET SHELF GR-PATTERN
385	3.BASKET SMALL BASKET SHELF
375	3.BASKET FRAMEWORK WIRE APPARATUS-R7452
386	3.BASKET WHEEL HOLDER GR-RIGHT
387	3.BASKET WHEEL HOLDER GR-LEFT



NO	PARÇA İSMİ
200	KON.PAN.GR/LITA (201-241-242)
201	KONTROL PANELİ /LITA
242	PROGRAM BUTON SAĞ/LITA
243	PROGRAM BUTON SOL/LITA
42	VIDA PT3,5X9YSB(F.LI VE T.LI)
244	TAŞIYICI-LITA/NORA
245	LCD CAMI/LITA
209	PCB KUTUSU-2/NOVUS
210	PCB KAPAK/NOVUS
211a	ELEK.KART T43_1_E3/DISPLAY KART LCD11 GR
213	ON OFF ANAHTARI/TEK KUTUPLU
255	LCD ANAKART-DİSPLAY MODÜL KABLOSU

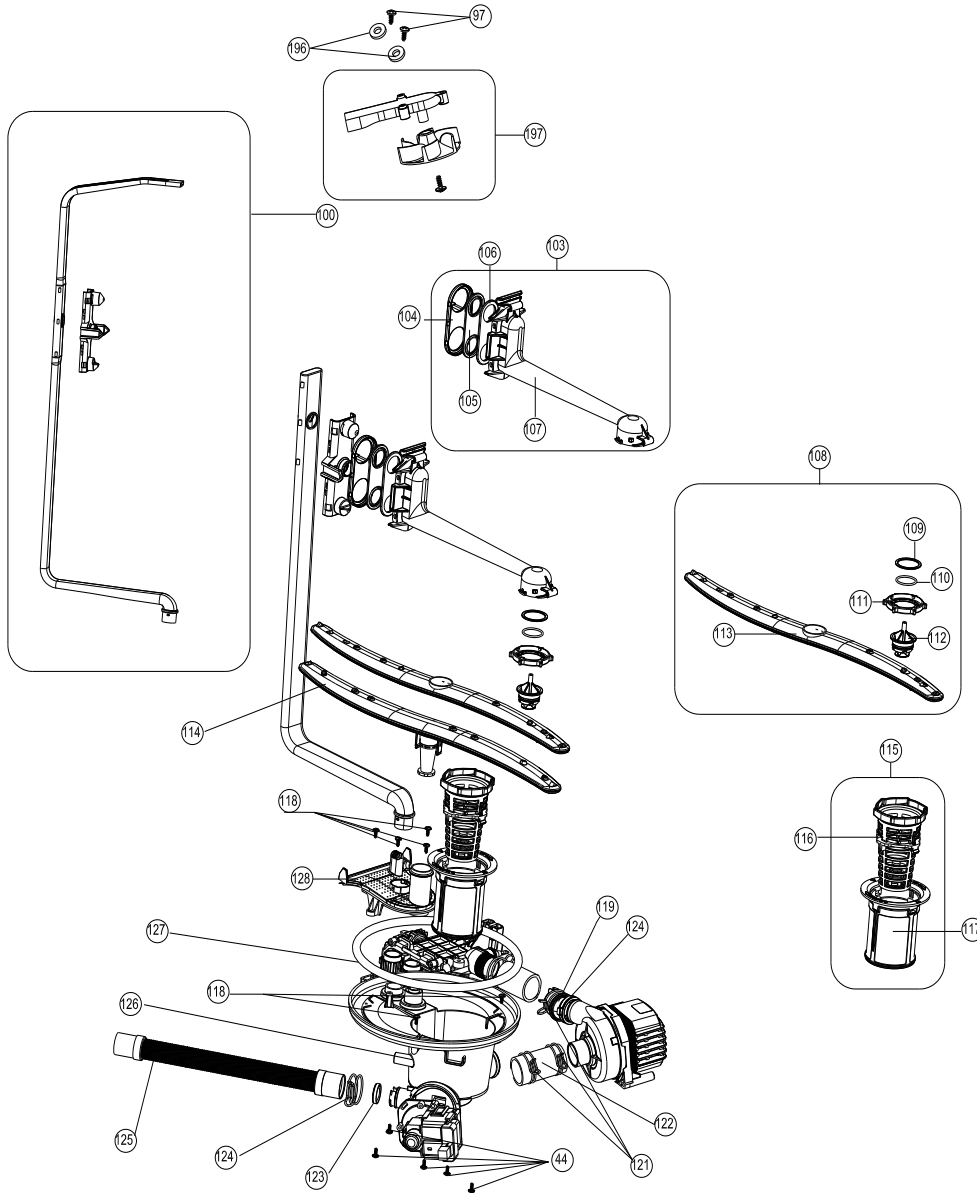


WHITE GOODS

VESTEL DISWASHER MACH .

UPPER HDYROLIC GROUP

CUSTOMER
SUPPORT



NO	PART NAME
100	UPPER SPRAYARM FEEDING CAN-C-1 GR
103	UPPER SPRAY ARM SUPPORT GR-RAL 7046 (104-105-106-107)
104	UPPER SPRAY ARM ADAPTER COVER-RAL 7046
105	UPPER SPRAY ARM ADAPTER GASKET
106	UPPER SPRAY ARM ADAPTER FLANGE-RAL 7046
107	UPPER SPRAY ARM SUPPORT-RAL 7046
108	UPPER SPRAY ARM GR-RAL 7046 (113-112-111-110-109)
109	UPPER SPRAY ARM NUT PLS D28XT1,2
110	UPPER SPRAY ARM SHAFT O-RING D2X23
111	UPPER SPRAY ARM NUT-RAL 7046
112	UPPER SPRAY ARM SHAFT-RAL 7046
113	UPPER SPRAY ARM-RAL 7046

NO	PART NAME
114	LOWER SPRAY ARM-RAL 7046
115	MICROFILTER GR-SHEET/RAL 7046 (316-317)
116	COURSE FILTER-RAL 7046
117	MICROFILTER-SHEET/RAL 7046
118	SCREW PT4X12 YSB INOX
119	HOSE D28,5X3
120	CLAMP Dmax36,4X14
121	CLAMP Dmax41X14,8
122	HOSE D33X3
123	KLAPE
124	CLAMP Dmax29,4X11,4)
125	DRAIN HOSE 200 CM
126	SUMP
127	SUMP SEAL
128	SPRAY ARM SUPPORT
197	IMPELLER GR
196	TOP TUB RUBBER
97	SCREW PT4x8 YSB (F.LI)
44	SCREW PT4X12YSB

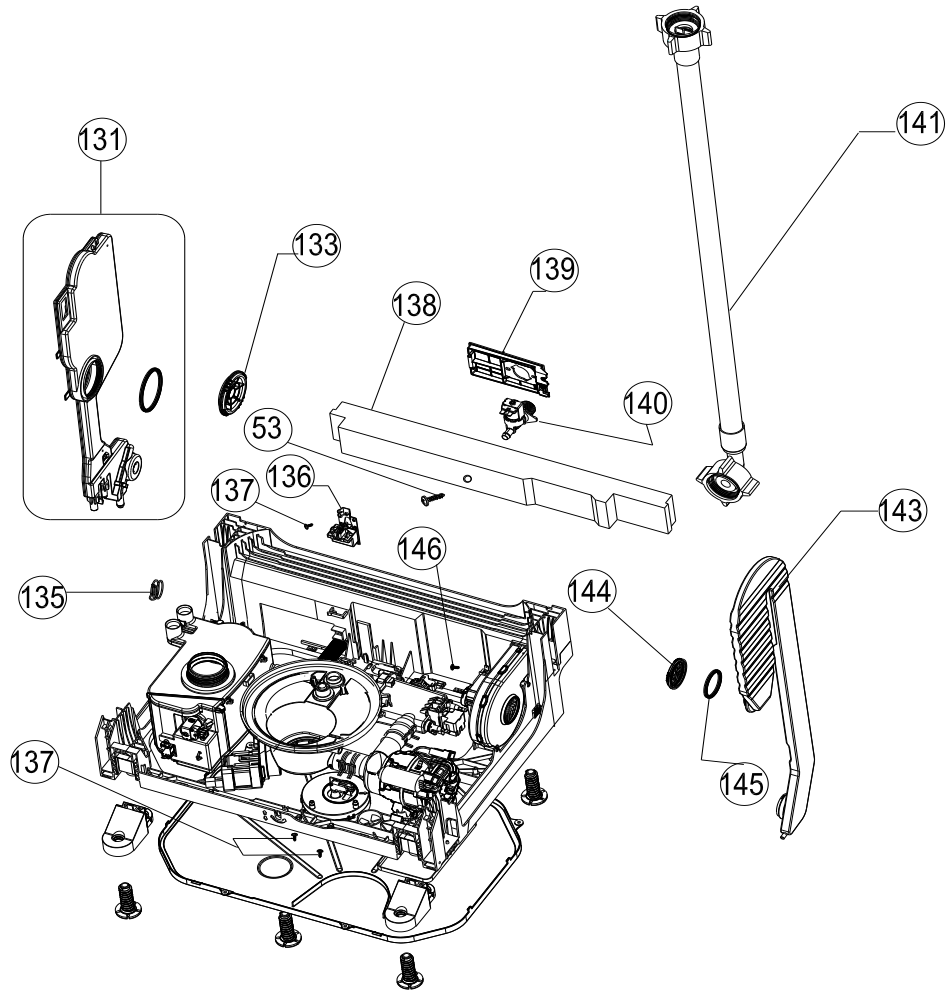


WHITE GOODS

VESTEL DISWASHER MACH .

LOWER HDYROLIC GROUP

CUSTOMER
SUPPORT



NO	PART NAME
131	AIR BREAK GROUP
133	AIR BREAK NUT
135	CLAMP Dmax16.8*8.4
136	PARASITE FILTE
137	SCREW PT3*9 YSB
138	CONCRETE WEIGHT
139	BASEMENT HOSE.CON.PLS.
140	WATER INLET VALVE
141	WATER INLET HOSE GROUP
143	STEAM CONDERSER
144	STEAM CONDERSER NUT
145	STEAM CONDERSER SEALING GASKET
146	SCREW PT4X14YSB(T.SIZ)(ANH:7-KF:2,3-AŞ:Y)
147	SCREW PT4X14 YSB F.LI(10mm)T.SIZ
53	SCREW 4X42,5 YHB

APRIL 2012

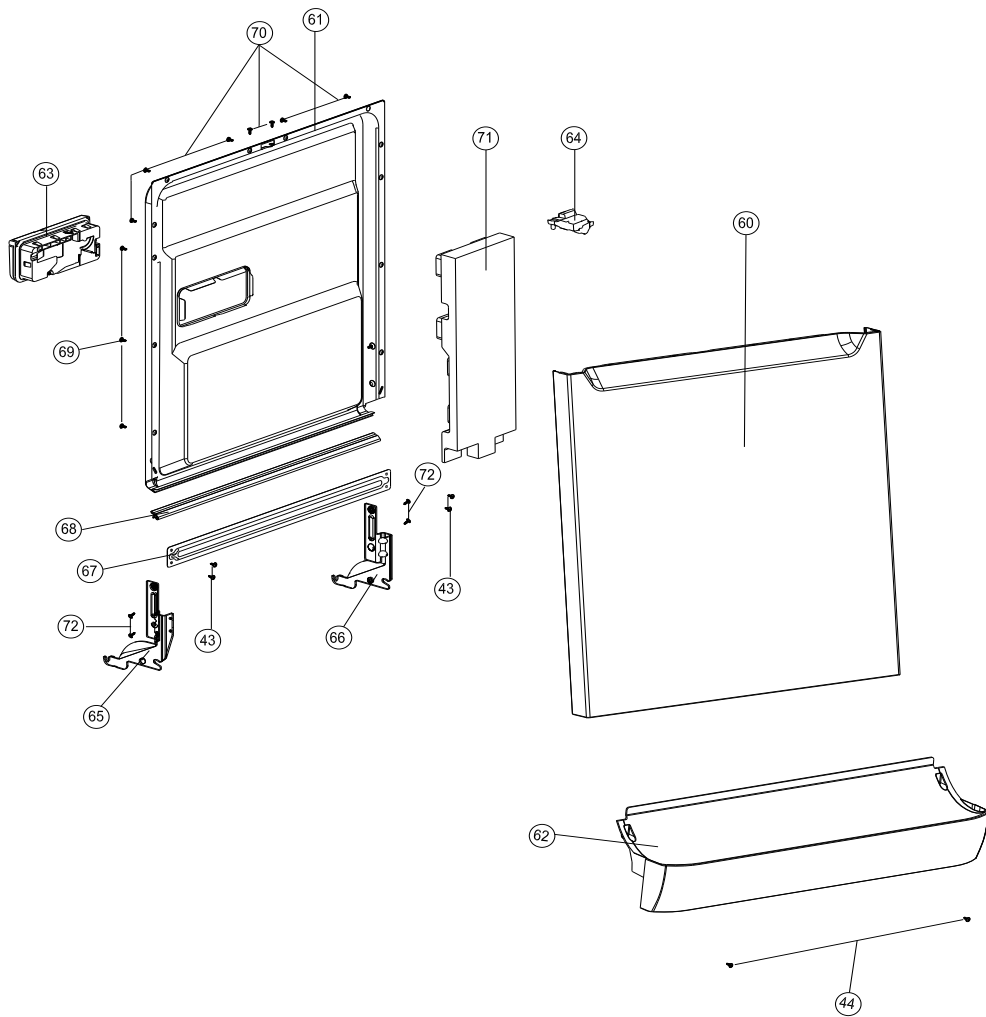


WHITE GOODS

VESTEL DISWASHER MACH .

DOOR GROUP

CUSTOMER
SUPPORT



NO	PART NAME
60	DOOR OUTSIDE
61	DOOR INSIDE SHEETIRON GROUP
62	PLASTIC KICK PLATE
63	DISPANSER WITHOUT REED RELAY
64	DOOR LOCK
65	HINGE MOVEMENT SHEETIRON LEFT
66	HINGE MOVEMENT SHEETIRON RIGHT
67	TWISTED SHEETIRON
68	DOOR SEAL
69	SCREW SAC 3,9X12 YHB INOX
70	SCREW PT4X14 YHB INOX
71	DOOR SUPPORT STYROFOAM
72	SCREW M5X10 YHB INOX BIXI (T.LI)
43	SCREW M4X9 PAN HEAD (S)
44	SCREW PT 4X12 PAN HEAD COLLAR CROSS

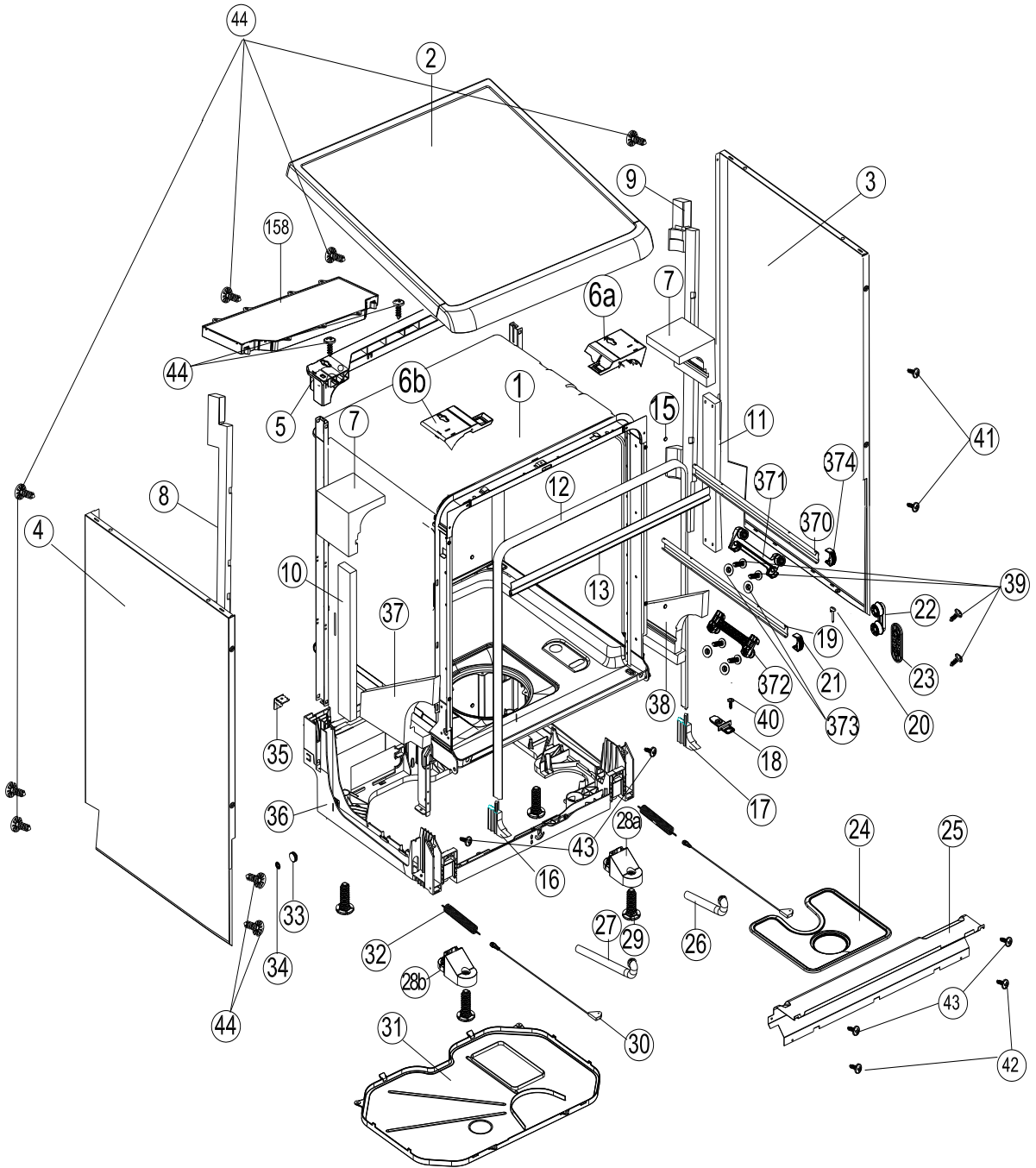


WHITE GOODS

VESTEL DISWASHER MACH .

TUBE GROUP

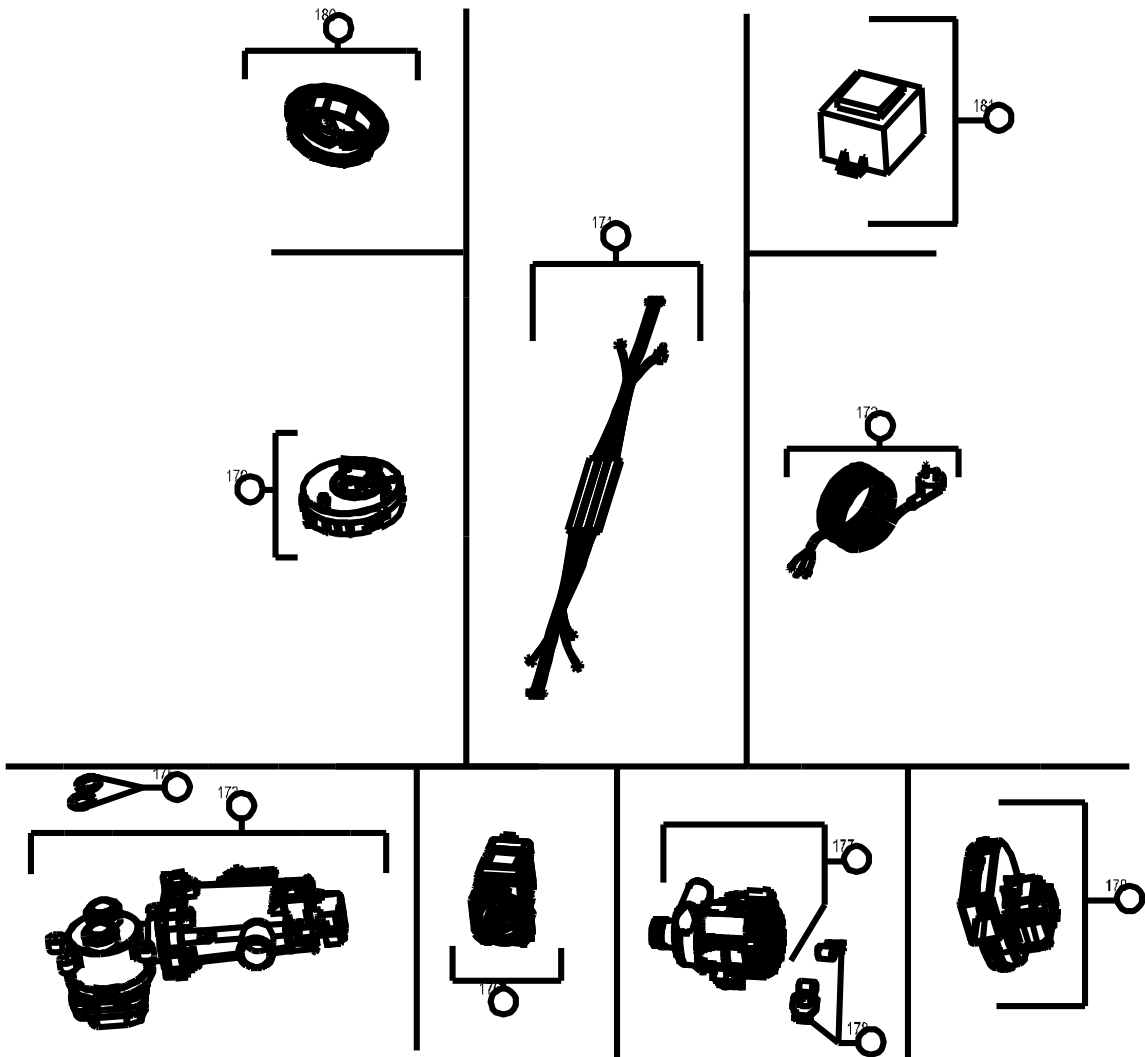
CUSTOMER SUPPORT



NO	PART NAME	QUANTITY
1	TUBE ASSEMBLY	1
2	UPPER TRAY GROUP	1
3	FLAT/SIDE PANEL SHEETIRON-RIGHT	1
4	FLAT/SIDE PANEL SHEETIRON-LEFT	1

5	REAR UPPER PLS.CROSS BAR
6a	UPPER TRAY SUPPORT PART/RIGHT
6b	UPPER TRAY SUPPORT PART - LEFT
7	TUB TOP CORNER STYROFOAM
8	BACK CROSS BAR STYROFOAM-LEFT
9	BACK CROSS BAR STYROFOAM-RIGHT
10	FRONT CROSS BAR STYROFOAM-LEFT
11	FRONT CROSS BAR STYROFOAM-RIGHT
12	TUB GASKET
13	TOP TUB OF GASKET
15	SIDE PANEL FRONT CROSS BAR SCR CUPS/
16	BOTTOM CORNER GASKET-LEFT
17	BOTTOM CORNER GASKET-RIGHT
18	LATCH DOOR
19	UPPER BASKET RAIL
20	UPPER BASKET STOPPER-REAR
21	UPPER BASKET RAIL LOCK-FRONT
22	UPPER BASKET RAIL CON.BRA.GROUP
23	UPPER BASKET RAIL CON.BRA -REAR
24	METAL/PLASTIC FILTER
25	KICKPLATE SHEETIRON
26	OVERFLOW PIECE FROM TUB WITH HOSE/300mm
27	OVERFLOW PIECE FROM TUB WITH HOSE/450 mm
28a	FRONT FOOT CONN.PART-2 / RIGHT
28b	FRONT FOOT CONN.PART-2 / LEFT
29	ADJUSTED FOOT
30	HINGE CORD GROUP
31	LOWER COVER
32	HINGE SPRING
33	HINGE PULLEY
34	FIXED PULLEY SEG
35	SPRING CONNECTION PART
158	UPPER CONCRETE WEIGHT GR
36	BASEMENT
37	TUB LOWER CORNER STYROFOAM-LEFT
38	TUB LOWER CORNER STYROFOAM-RIGHT
39	SCREW PT5X20 WN 5451 TORX RONDELALI
40	SCREW M4X6 SB
41	SCREW 3,9X9,5 FLAT HEAD
42	SCREW PT3,5X9 PAN HEAD COLLAR CROSS)
44	SCREW PT4X12 PAN HEAD COLLAR CROSS
370	3.BASKET RAIL(40,4*0,8)
371	3.BASKET BRACKET GR-RIGHT
372	3.BASKET BRACKET GR-LEFT
373	3.BASKET BRACKET WASHER
374	3.BASKET RAIL LOCK-FRONT

APRIL 2012



NO	PART NAME
170	FLOATER
171	CABLE HARNESS
172	POWER CABLE 180cm/WHITE
173	HEATER CASING WITH DIVERTER
175	HEATER CASING O-RING
176	DRAIN PUMP
177	WASHING PUMP
178	WASHING PUMP VINE SUPPORT
179	TURBO FAN
180	LED MODULE
181	LED MODULE TRANSFORMER/GT

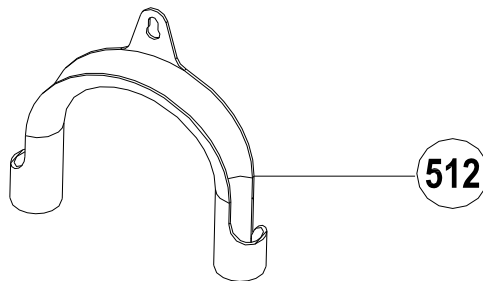


WHITE GOODS

VESTEL DISWASHER MACH .

OPTIONAL PARTS

CUSTOMER
SUPPORT



NO	PART NAME
512	DRAIN HOSE COAT RACK

APRIL 2012