

PARTS LIST

[UX-P30]

* All printed circuit boards and its assemblies are not available as service parts.

Area suffix

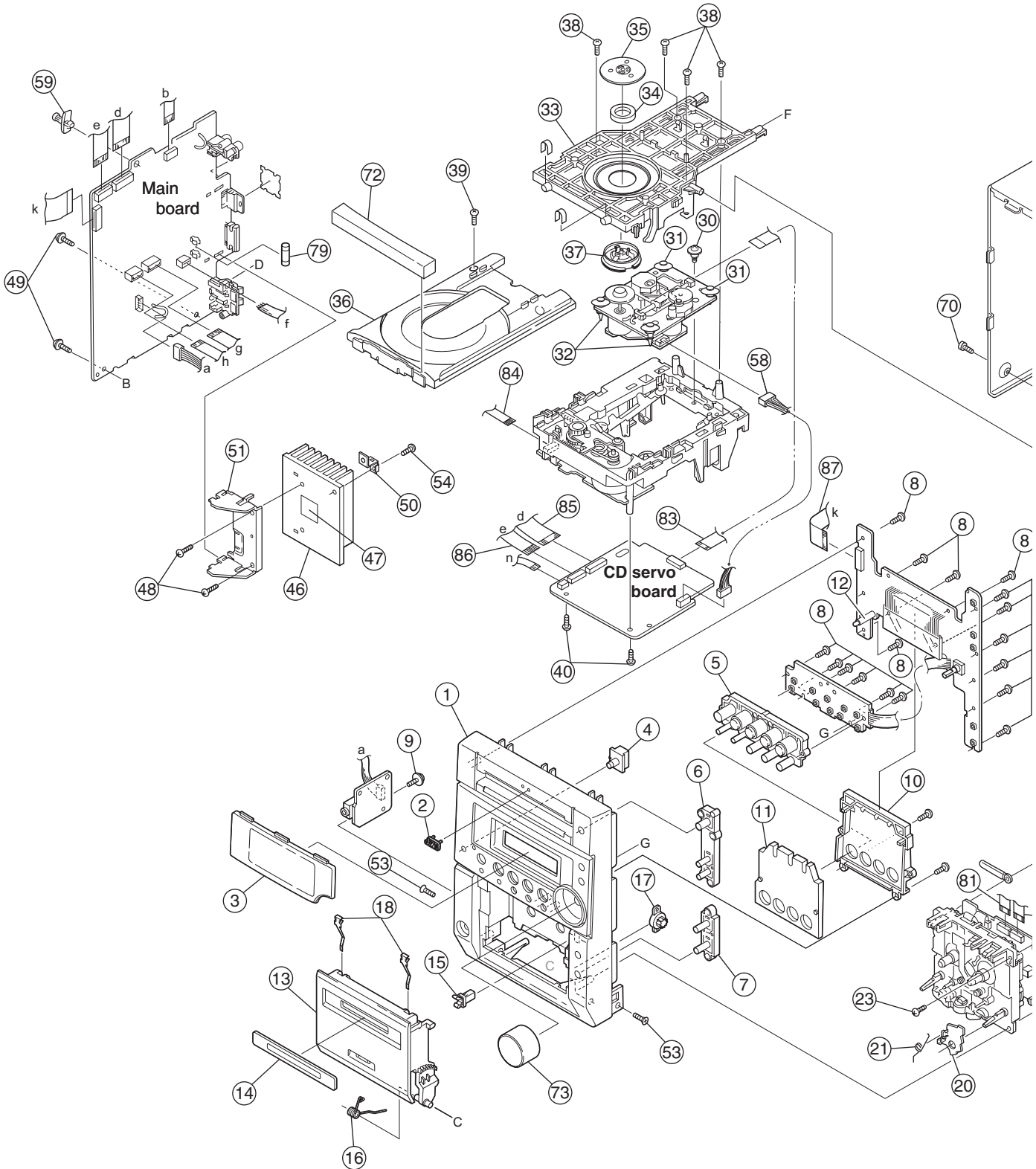
B ----- U.K.
E ----- Continental Europe
EN ----- Northern Europe

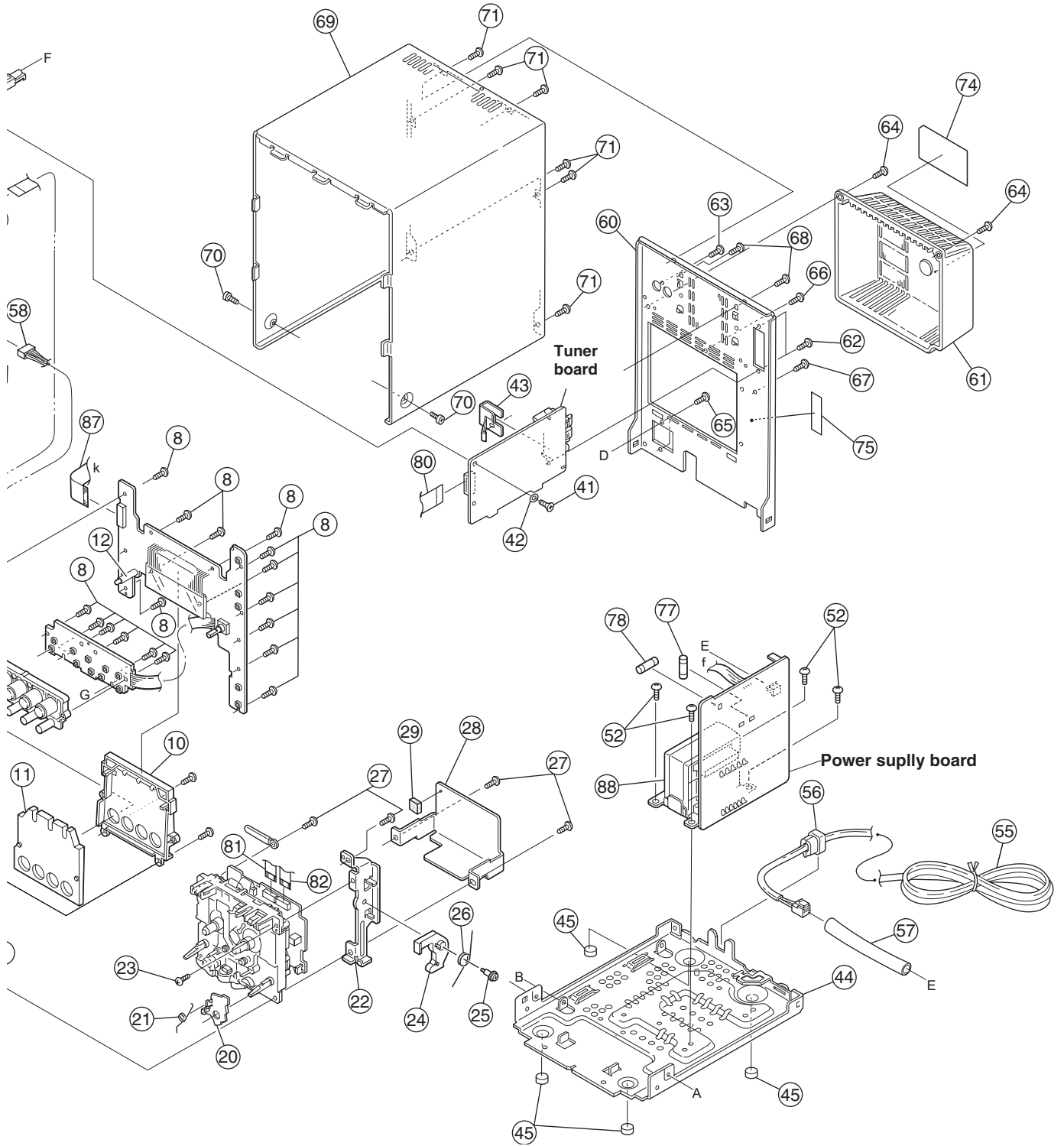
- Contents -

Exploded view of general assembly and parts list (Block No.M1)	3- 2
Speaker assembly and parts list (Block No.M2)	3- 5
CD loading base assembly and parts list (Block No.MD)	3- 6
Cassette mechanism assembly and parts list (Block No.MP)	3- 8
Electrical parts list (Block No.01~06)	3-10
Packing materials and accessories parts list (Block No.M3)	3-16

Exploded view of general assembly and parts list

Block No. **M 1 M M**





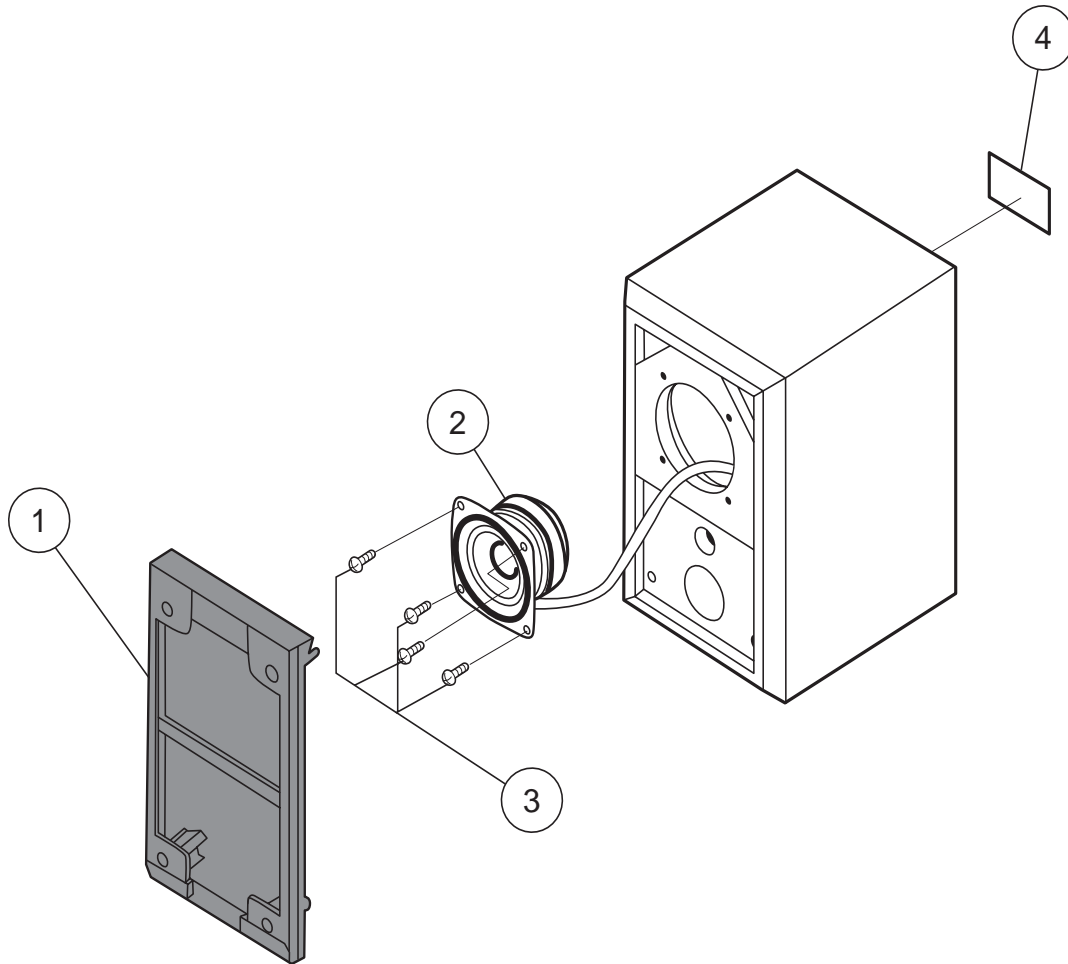
General assembly

Block No. [M][1][M][M]

△ Symbol No.	Part No.	Part Name	Description	Local	△ Symbol No.	Part No.	Part Name	Description	Local
					49	QYSBSF3016Z	TAP SCREW	3mm x 16mm(x2)	P30B, P30E
1	GV10151-005A	FRONT PANEL		P30B	49	QYSBSFG3016Z	SCREW	3mm x 16mm(x2)	P30E N
1	GV10151-003A	FRONT PANEL		P30E	50	GV40167-001A	H.SINK BRACKET		
1	GV10151-001A	FRONT PANEL		P30E N	51	GV30168-001A	IC BRACKET		
2	GV40077-002A	JVC BADGE			52	QYSBST4006Z	SCREW	4mm x 6mm(x4)	
3	GV30477-003A	FRONT LENS		P30B, P30E N	53	QYSSST3008Z	SCREW	3mm x 8mm(x2)	
3	GV30477-001A	FRONT LENS		P30E N	54	QYSBSF3012Z	TAP SCREW	3mm x 12mm	
4	GV40433-002A	REMOTE LENS		P30B, P30E	△ 55	QMPN150-200-JC	POWER CORD(EK)	2m BLACK	P30B P30E, P30E N
4	GV40433-001A	REMOTE LENS		P30E N	△ 55	QMPK210-205-JN	POWER CORD(EK)	2.05m BLACK	
4	GV40433-001A	REMOTE LENS		P30E N	△ 56	QZW0033-001	STRAIN RELIEF		
5	GV20241-002A	MAIN BUTTON		P30B, P30E	57	QWTBG00-100	VINYL TUBE		
5	GV20241-001A	MAIN BUTTON		P30E N	58	QJJ010-060801	WIRE	W 801	
5	GV20241-001A	MAIN BUTTON		P30E N	59	GV40223-001A	PUSH SPACER		
6	GV30475-002A	SUB BUTTON		P30B, P30E	60	GV10067-001A	REAR PANEL		
6	GV30475-001A	SUB BUTTON		P30E N	61	GV10068-005A	REAR COVER		
7	GV30476-002A	CASS.BUTTON		P30B, P30E	62	QYSBSGY3008E	SPECIAL SCREW	3mm x 8mm(x2)	
7	GV30476-001A	CASS. BUTTON		P30E N	63	QYSBSGY3008E	SPECIAL SCREW	3mm x 8mm	
8	QYSDSF2610Z	TAPPING SCREW	2.6mm x 10mm(x19)	P30B, P30E N	64	QYSBSGY3008E	SPECIAL SCREW	3mm x 8mm(x2)	
9	E65923-003	TAPPING SCREW			65	QYSBSGY3008E	SPECIAL SCREW	3mm x 8mm(x2)	
10	GV20242-001A	LCD HOLDER			66	QYSBSGY3008E	SPECIAL SCREW	3mm x 8mm	
11	GV40431-001A	LCD LENS			67	QYSBSGY3008E	SPECIAL SCREW	3mm x 8mm	
12	GV40429-001A	LED HOLDER			68	QYSBSGY3008E	SPECIAL SCREW	3mm x 8mm(x2)	
13	GV20244-001A	CASS.DOOR			69	GV10069-001A/S/	METAL COVER		
14	GV40432-003A	DOOR PLATE		P30B, P30E N	70	QYSDSG3006N	TAP SCREW	M3 x 6mm(x2)	P30B, P30E
14	GV40432-001A	DOOR PLATE		P30E N	70	QYSDSG3006M	TAP SCREW	3mm x 6mm(x2)	P30E N
15	GV40220-001A	RATCH			71	QYSBSGY3008E	SPECIAL SCREW	3mm x 8mm(x6)	
16	LV43142-001A	DOOR SPRING			72	GV30478-003A	TRAY FITTING		P30B
17	GV40034-001A	DAMPER ASSY.			72	GV30478-002A	TRAY FITTING		P30E P30E N
18	VKY4180-401	CASSETTE SPRING (x2)			72	GV30478-001A	TRAY FITTING		
20	VKL7850-002	EJECT SAFTY(R)			73	GV40154-002A	VOL.KNOB(A)		
21	VKW5258-003	TORSION SPRING			74	GV30474-001A	RATING LABEL		
22	GV30268-001A	MECHA BRACKET			75	LV41843-001A	LASER CAUTION		
23	QYSBSG3008Z	TAPPING SCREW	3mm x 8mm		△ 77	QMF51W2-R40-J8	FUSE	F 1000	
24	GV40278-001A	SAFETY ARM			△ 78	QMF51W2-5R0-J8	FUSE	F 1001	
25	VKZ4341-205	SPECIAL SCREW			△ 79	QMF51W2-1R0-J8	FUSE	F 3000	
26	GV40279-001A	ARM SPRING			80	QUQ412-1332DJ	CARD WIRE	FC 1	
27	QYSBSF3012Z	TAP SCREW	3mm x 12mm(x4)		81	QUQ412-0914CJ	CARD WIRE	FC 33	
28	LV34035-001A	SHIELD			82	QUQ412-1018CJ	FFC WIRE	FC 34	
29	GV40170-003A	SPACER		P30B, P30E N	83	QUQ110-1609AJ	CARD WIRE	FC 601	
29	LV30225-0J1A	SPACER		P30E N	84	QUQ412-0507DJ	CARD WIRE	FC 631	
30	E406293-001	SPECIAL SCREW			85	QUQ412-1614DJ	CARD WIRE	FC 651	P30E, P30E N
31	GV40196-001A	INSULATOR (x2)			86	QUQ412-1614DJ	CARD WIRE	FC 651	P30B
32	GV40196-002A	INSULATOR (x2)			86	QUQ412-1314DJ	CARD WIRE	FC 652	
33	GV10066-001A	CLAMPER BASE			87	QUQ412-1710DJ	CARD WIRE	FC 932	
34	VYH7313-005	MAGNET			△ 88	QQT0284-002	POWER TRANSF	T 1000	
35	E306836-223SS	CD YOKE (JES)							
36	VYH1240-001	TRAY							
37	GV30202-001A	CD CLAMPER							
38	QYSBSF3008Z	SCREW	3mm x 8mm(x4)						
39	QYSBSF3008Z	SCREW	3mm x 8mm						
40	QYSBSF3008Z	SCREW	3mm x 8mm(x2)						
41	QYSSSF3008Z	SCREW	3mm x 8mm						
42	GV40122-003A	FOOT SPACER							
43	GV40211-001A	EARTH PLATE							
44	GV10065-001A	CHASSIS BASE							
45	GV40312-002A	FOOT SPACER (x4)		P30B, P30E N					
45	GV40184-001A	FOOT SPACER (x4)		P30E N					
46	GV30166-001A	HEAT SINK A							
47	GV40206-001A	MICA SHEET(A)							
48	QYSBSF3012Z	TAP SCREW	3mm x 12mm(x2)						

Speaker assembly and parts list

Block No. M 2 M M



Speaker assembly

Block No. M[2]MM

△ Symbol No.	Part No.	Part Name	Description	Local
1	ASW803225-0001	CLOTH FRAME ASS	(x2)	
2	FSB810530-0401	WOOFER	(x2)	
3	NSP845051-4162	SCREW	(x8)	
4	YLB806001-0541	SPEC LABEL	(x2)	

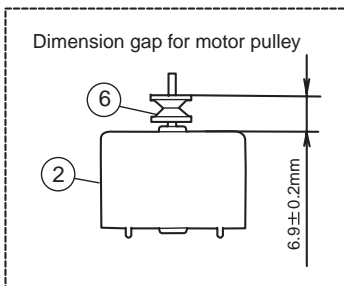
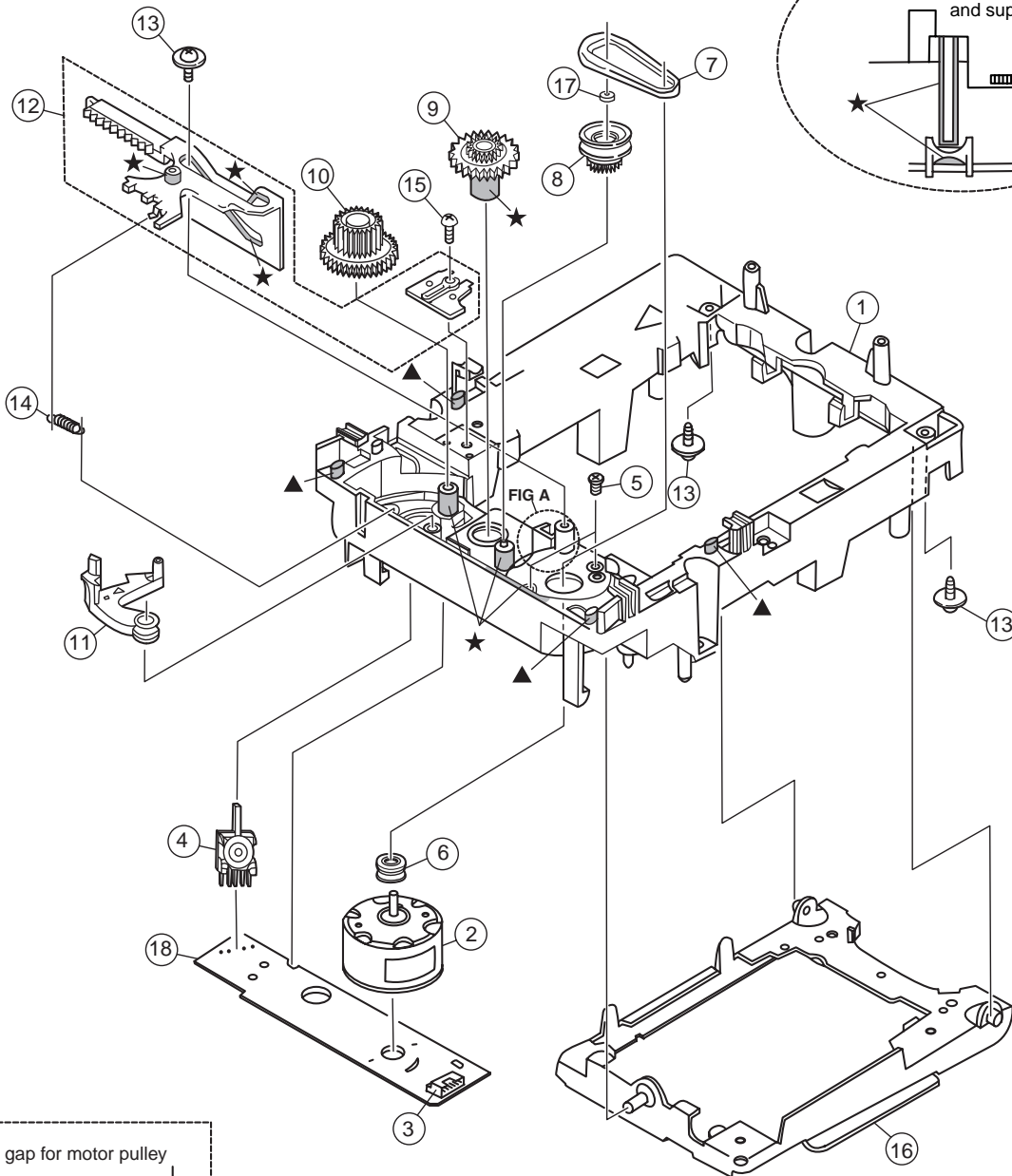
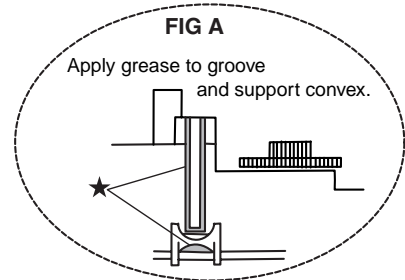
CD loading base assembly and parts list

Block No. M D M M

LOAD-JEM-2M

Grease

- ★ = G-474C
- ▲ = EBS0006-009B



CD loading base

Block No. [M]D][M][M]

△ Symbol No.	Part No.	Part Name	Description	Local
1	VYH1238-001	LOADING BASE		
2	MMN-6F1LB8K	MOTOR		
3	QGF1201F3-05	CONNECTOR	FFC/FPC (1-5)	
4	QSW0472-001	SWITCH		
5	QYSPSPT2640Z	SCREW	2.6mm x 4mm(x2)	
6	E75984-221SS	MOTOR PULLEY		
7	E75950-002	C.D BELT		
8	E75985-221SS	C.D GEAR (1)		
9	E75986-221SS	C.D GEAR (2)		
10	E75987-221SS	C.D GEAR (3)		
11	E307162-331SS	LEVER		
12	E307252-331SS	CAM PLATE		
13	E65923-003	TAPPING SCREW	(x3)	
14	VYH7787-001	SPRING		
15	QYSBSF3008Z	SCREW	3mm x 8mm	
16	E307179-222SM	E.BASE ASSY		
17	E60912-005SS	SPEED NUT		
18	VMW1329-102	P W BOARD (1/5)		

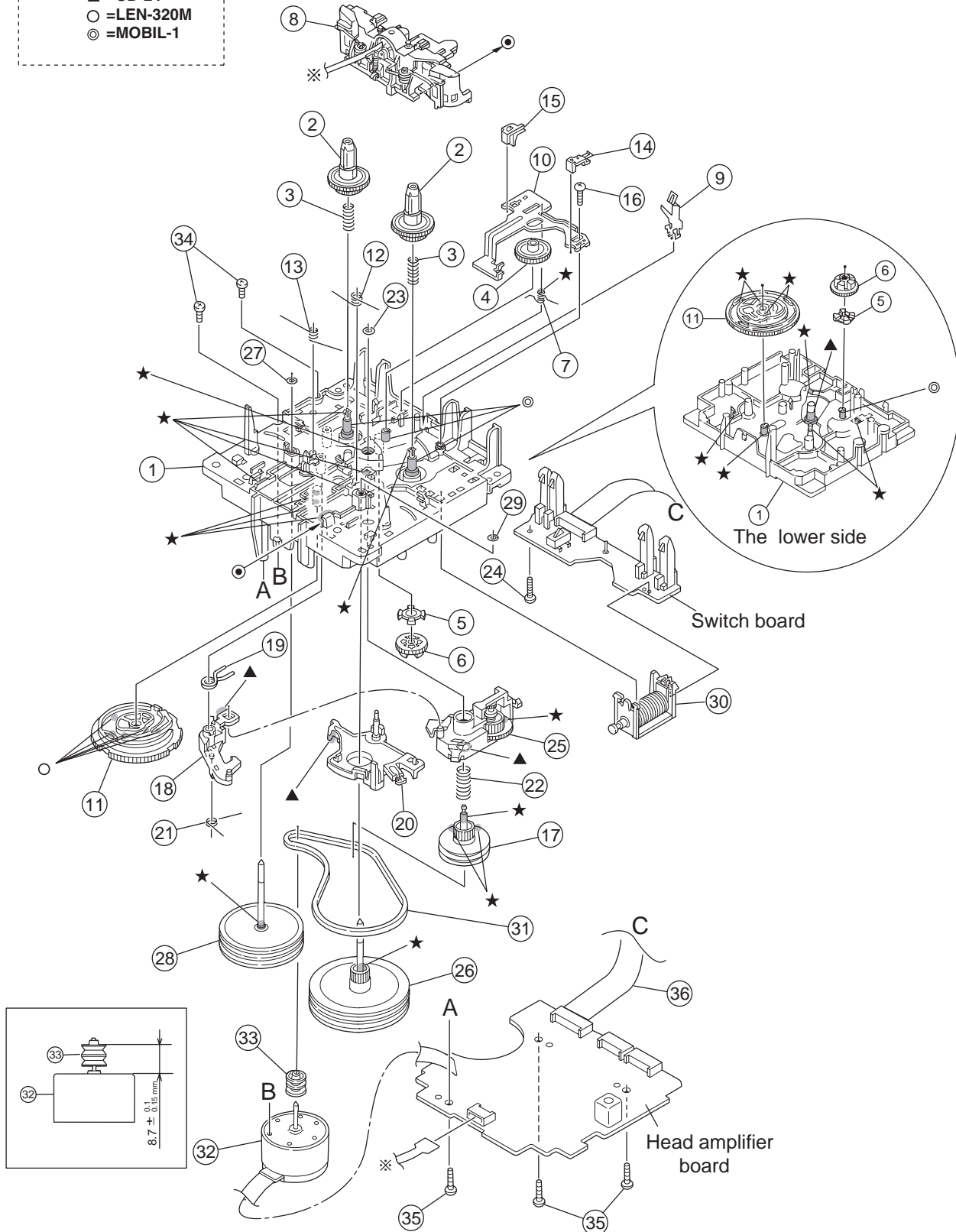
Cassete mechanism assembly and parts list

Block No. M P M M

SLC-S302M

Grease

- ★ =EM-30L
- ▲ =UD-24
- =LEN-320M
- ◎ =MOBIL-1



Cassete mechanism

Block No. [M]P][M][M]

△ Symbol No.	Part No.	Part Name	Description	Local
1	VKS1165-00N	CHASSIS B. ASSY		
2	VKS2274-002	REEL GEAR	(x2)	
3	VKW5286-002	B.T. SPRING	(x2)	
4	VKS5559-001	PLAY IDLE GEAR		
5	VKS5595-002	BLIND		
6	VKS5560-003	FR IDLE GEAR		
7	LV42013-001A	EARTH SPRING		
8	SLC-RP4SVM	HEAD MOUNT ASSY		
9	VKY3149-002	CASSETTE SP.		
10	LV31786-002A	PLAY LEVER		
11	VKS1166-003	CONTROL CAM		
12	VKW5279-002	HEAD BASE SP(R)		
13	VKW5280-001	HEAD BASE SP(L)		
14	LV41584-001A	BRAKE(R)		
15	LV41585-003A	BRAKE(L)		
16	QYSBSF2005Z	SCREW	2mm x 5mm	
17	VKS5603-00G	MAIN PULLEY ASS		
18	VKS3785-001MM	FR ARM		
19	VKW5284-002	SWING SPRING		
20	VKS2278-003	TRIGGER ARM		
21	VKW5301-001	FR SPRING		
22	VKW5266-001	ELEVATOR SPRING		
23	WDL214025	WASHER		
24	QYSBSF2005Z	SCREW	2mm x 5mm	
25	VKS3786-00G	CLUTCH ASSY		
26	VKF3205-00B	F.WHEEL ASSY(R)		
27	WDL183425	SLIT WASHER		
28	VKF3207-00C	F.WHEEL ASSY(L)		
29	WDL173525-6	SLIT WASHER		
30	VKZ3174-00B	DC SOLENOID		
31	LV42836-001A	CAPSTAN BELT		
32	MSI-5U2LWA	D.C.MOTOR		
33	VKR4761-003	MOTOR PULLEY		
34	QYSPSP2604Z	SCREW	2.6mm x 4mm(x2)	
35	QYSBSF2608Z	TAPPING SCREW	2.6mm x 8mm(x3)	
36	QUQH12-0906BF	WIRE		

Electrical parts list

Front board

Block No. [0][1][0][0]

△ Symbol No.	Part No.	Part Name	Description	Local
IC933	GP1UM261XK	IR DETECT UNIT	Receiver	
IC934	NJU6433FG1	LCD DRIVER	LCD driver	
Q7331	KRC111M-T	TRANSISTOR		
△ D1000	6A10E2	SI DIODE		
△ D1001	6A10E2	SI DIODE		
△ D1002	6A10E2	SI DIODE		
△ D1003	6A10E2	SI DIODE		
D7321	SELU1E54CM-P	BLUE LED		
D7322	SELU1E54CM-P	BLUE LED		
D7323	SELU1E54CM-P	BLUE LED		
D7331	SPR-39MWWF	LED	RED-GREEN	
D7361	MTZJ10C-T2	Z DIODE		
D7362	MTZJ10C-T2	Z DIODE		
D7363	MTZJ10C-T2	Z DIODE		
C1000	QFLC1HJ-104Z	M CAPACITOR	0.1uF 50V J	
C1001	QFLC1HJ-104Z	M CAPACITOR	0.1uF 50V J	
C1002	QFLC1HJ-104Z	M CAPACITOR	0.1uF 50V J	
C1003	QFLC1HJ-104Z	M CAPACITOR	0.1uF 50V J	
C7301	QKQC1CM-476Z	E CAPACITOR	47uF 16V M	
C7302	QDGB1HK-102Y	C CAPACITOR	1000pF 50V K	
C7303	QDYB1CM-103Y	C CAPACITOR	0.01uF 16V M	
C7304	QDYB1CM-103Y	C CAPACITOR	0.01uF 16V M	
C7305	QDYB1CM-103Y	C CAPACITOR	0.01uF 16V M	
C7306	QDYB1CM-103Y	C CAPACITOR	0.01uF 16V M	
C7307	QDYB1CM-103Y	C CAPACITOR	0.01uF 16V M	
C7341	QKQC1AM-107Z	E CAPACITOR	100uF 10V M	
C7351	QDYB1CM-103Y	C CAPACITOR	0.01uF 16V M	
C7352	QDYB1CM-103Y	C CAPACITOR	0.01uF 16V M	
R5000	QRE141J-151Y	C RESISTOR	150Ω 1/4W J	
R5001	QRE141J-151Y	C RESISTOR	150Ω 1/4W J	
R7301	QRE141J-102Y	C RESISTOR	1kΩ 1/4W J	
R7302	QRE141J-102Y	C RESISTOR	1kΩ 1/4W J	
R7303	QRE141J-122Y	C RESISTOR	1.2kΩ 1/4W J	
R7304	QRE141J-152Y	C RESISTOR	1.5kΩ 1/4W J	
R7305	QRE141J-222Y	C RESISTOR	2.2kΩ 1/4W J	
R7306	QRE141J-272Y	C RESISTOR	2.7kΩ 1/4W J	
R7307	QRE141J-392Y	C RESISTOR	3.9kΩ 1/4W J	
R7308	QRE141J-562Y	C RESISTOR	5.6kΩ 1/4W J	
R7309	QRE141J-103Y	C RESISTOR	10kΩ 1/4W J	
R7310	QRE141J-183Y	C RESISTOR	18kΩ 1/4W J	
R7311	QRE141J-102Y	C RESISTOR	1kΩ 1/4W J	
R7312	QRE141J-102Y	C RESISTOR	1kΩ 1/4W J	
R7313	QRE141J-132Y	C RESISTOR	1.3kΩ 1/4W J	
R7315	QRE141J-153Y	C RESISTOR	15kΩ 1/4W J	
R7316	QRE141J-433Y	C RESISTOR	43kΩ 1/4W J	
R7321	QRE141J-391Y	C RESISTOR	390Ω 1/4W J	
R7322	QRE141J-391Y	C RESISTOR	390Ω 1/4W J	
R7323	QRE141J-391Y	C RESISTOR	390Ω 1/4W J	
R7331	QRE141J-391Y	C RESISTOR	390Ω 1/4W J	
R7341	QRE141J-103Y	C RESISTOR	10kΩ 1/4W J	
R7342	QRE141J-134Y	C RESISTOR	130kΩ 1/4W J	
△ L1000	QQR1145-001	COIL		
L5031	QQL231K-470Y	COIL	47uH K	
L5032	QQL231K-470Y	COIL	47uH K	
L5034	QQL231K-470Y	COIL	47uH K	
CN932	QGF1205F1-17	CONNECTOR	FFC/FPC (1-17)	
DI934	QLD0160-001	LCD MODULE		
EP940	E409182-001SM	GRAND TERMINAL		
FW931	QUM025-05Z3Z3	TM FLAT		
FW943	QUM154-17DGGZ4	FLAT WIRE		
△ J1000	QGA7901C1-02	CONNECTOR	W-B (1-2)	
J5000	QNS0170-001	HEADPHONE JACK		
JS731	QSW0917-001	R ENCODER		
K5020	QQR0779-001Z	COIL		
K5021	QQR0779-001Z	COIL		
S7302	QSW0825-001Z	TACT SW		

△ Symbol No.	Part No.	Part Name	Description	Local
S7303	QSW0825-001Z	TACT SW		
S7304	QSW0825-001Z	TACT SW		
S7305	QSW0825-001Z	TACT SW		
S7306	QSW0825-001Z	TACT SW		
S7307	QSW0825-001Z	TACT SW		
S7308	QSW0825-001Z	TACT SW		
S7309	QSW0825-001Z	TACT SW		
S7310	QSW0825-001Z	TACT SW		
S7311	QSW0825-001Z	TACT SW		
S7312	QSW0825-001Z	TACT SW		
S7313	QSW0825-001Z	TACT SW		
S7314	QSW0825-001Z	TACT SW		
S7315	QSW0825-001Z	TACT SW		
S7316	QSW0825-001Z	TACT SW		
Z1000	QNG0003-001Z	FUSE CLIP		
Z1001	QNG0003-001Z	FUSE CLIP		
Z1002	QNG0003-001Z	FUSE CLIP		

Main board

Block No. [0][2][0][0]

△ Symbol No.	Part No.	Part Name	Description	Local
IC901	LC75345M-X	IC	E.volume	
△ IC905	LA4628	IC	Power amp.	
△ IC910	L4909	REGULATOR IC	Regulator	
IC931	UPD780055GC-066	MASK ROM		
IC932	KIA78S06P-T	IC	Regulator	
Q2209	2SD601A/RS/-X	TRANSISTOR		
Q2210	2SD601A/RS/-X	TRANSISTOR		
Q2211	2SC2001/LK/-T	TRANSISTOR		
Q2212	2SD601A/RS/-X	TRANSISTOR		
Q2213	2SD601A/RS/-X	TRANSISTOR		
Q2214	UN211L-X	TRANSISTOR		
Q7001	2SB709A/R/-X	TRANSISTOR		
Q7002	UN2215-X	TRANSISTOR		
Q7003	2SD601A/RS/-X	TRANSISTOR		
Q7031	2SD601A/RS/-X	TRANSISTOR		
Q7041	2SD601A/RS/-X	TRANSISTOR		
Q7061	UN2215-X	TRANSISTOR		
Q7062	UN2215-X	TRANSISTOR		
D2200	1SS133-T2	DIODE		
D2201	1SS133-T2	DIODE		
D2203	1SS133-T2	DIODE		
D2204	1N4003S-T5	SI DIODE		
D2205	1SS133-T2	DIODE		
D2206	1SS133-T2	DIODE		
D2212	1SS133-T2	DIODE		
D2213	1SS133-T2	DIODE		
D3218	1SS133-T2	DIODE		
D3219	MTZJ8.2C-T2	Z DIODE		
D3220	MTZJ11B-T2	Z DIODE		
D3221	MTZJ11B-T2	Z DIODE		
D7001	1SS133-T2	DIODE		
D7002	1SS133-T2	DIODE		
D7003	1SS133-T2	DIODE		
D7004	1SS133-T2	DIODE		
D7005	1SS133-T2	DIODE		
D7006	1SS133-T2	DIODE		
D7007	MTZJ5.1C-T2	Z DIODE		
D7008	MTZJ8.2B-T2	Z DIODE		
D7061	1SS133-T2	DIODE		
D7071	1SS133-T2	DIODE		
C2000	QCBB1HK-221Y	C CAPACITOR	220pF 50V K	
C2005	QKQC1HM-475Z	E CAPACITOR	4.7uF 50V M	
C2006	QKQC1HM-475Z	E CAPACITOR	4.7uF 50V M	
C2007	QTE1V06-106Z	E CAPACITOR	10uF 35V	
C2008	QKQC1HM-475Z	E CAPACITOR	4.7uF 50V M	
C2009	QKQC1HM-475Z	E CAPACITOR	4.7uF 50V M	

△ Symbol No.	Part No.	Part Name	Description	Local	△ Symbol No.	Part No.	Part Name	Description	Local
C2010	QEKC1HM-475Z	E CAPACITOR	4.7uF 50V M		C7005	QDYB1CM-103Y	C CAPACITOR	0.01uF 16V M	
C2011	QFLC1HJ-272Z	M CAPACITOR	2700pF 50V J		C7006	QCSB1HJ-180Y	C CAPACITOR	18pF 50V J	
C2012	QFVJ1HJ-104Z	MF CAPACITOR	0.1uF 50V J		C7007	QCSB1HJ-180Y	C CAPACITOR	18pF 50V J	
C2013	QFVJ1HJ-104Z	MF CAPACITOR	0.1uF 50V J		△ C7008	EETBOJM-228JC	E CAPACITOR		
C2014	QFVJ1HJ-184Z	MF CAPACITOR	0.18uF 50V J		C7009	QETN1HM-225Z	E CAPACITOR	2.2uF 50V M	
C2015	QFVJ1HJ-184Z	MF CAPACITOR	0.18uF 50V J		C7010	QETN1HM-475Z	E CAPACITOR	4.7uF 50V M	
C2016	QFLC1HJ-823Z	M CAPACITOR	0.082uF 50V J		C7011	QETN1CM-107Z	E CAPACITOR	100uF 16V M	
C2017	QTE1C06-226Z	E CAPACITOR	22uF 16V		C7012	QCFB1HZ-104Y	C CAPACITOR	0.1uF 50V Z	
C2018	QFLC1HJ-823Z	M CAPACITOR	0.082uF 50V J		C7041	QDYB1CM-103Y	C CAPACITOR	0.01uF 16V M	
C2019	QFVF1HJ-274Z	MF CAPACITOR	0.27uF 50V J		C7061	QCBB1HK-151Y	C CAPACITOR	150pF 50V K	
C2026	QFLC1HJ-123Z	M CAPACITOR	0.012uF 50V J		C7063	QCBB1HK-151Y	C CAPACITOR	150pF 50V K	
C2027	QDGB1HK-102Y	C CAPACITOR	1000pF 50V K		C7108	QCBB1HK-101Y	C CAPACITOR	100pF 50V K	
C2028	QTE1V06-106Z	E CAPACITOR	10uF 35V		C7111	QCBB1HK-101Y	C CAPACITOR	100pF 50V K	
C2029	QCBB1HK-331Y	C CAPACITOR	330pF 50V K		C7113	QCBB1HK-151Y	C CAPACITOR	150pF 50V K	
C2030	QFLC1HJ-104Z	M CAPACITOR	0.1uF 50V J		C7115	QCBB1HK-101Y	C CAPACITOR	100pF 50V K	
C2031	QFLC1HJ-104Z	M CAPACITOR	0.1uF 50V J		C7128	QDGB1HK-102Y	C CAPACITOR	1000pF 50V K	
C2032	QCBB1HK-221Y	C CAPACITOR	220pF 50V K		C7135	QCBB1HK-101Y	C CAPACITOR	100pF 50V K	
C2033	QDXB1CM-332Y	C CAPACITOR	3300pF 16V M		C7136	QCBB1HK-101Y	C CAPACITOR	100pF 50V K	
C2100	QCBB1HK-221Y	C CAPACITOR	220pF 50V K		C7144	QDYB1CM-103Y	C CAPACITOR	0.01uF 16V M	
C2105	QEKC1HM-475Z	E CAPACITOR	4.7uF 50V M		C7149	QCBB1HK-101Y	C CAPACITOR	100pF 50V K	
C2106	QEKC1HM-475Z	E CAPACITOR	4.7uF 50V M		C7152	QDGB1HK-102Y	C CAPACITOR	1000pF 50V K	
C2107	QTE1V06-106Z	E CAPACITOR	10uF 35V						
C2108	QEKC1HM-475Z	E CAPACITOR	4.7uF 50V M		R2000	QRE141J-303Y	C RESISTOR	30kΩ 1/4W J	
C2109	QEKC1HM-475Z	E CAPACITOR	4.7uF 50V M		R2001	QRE141J-303Y	C RESISTOR	30kΩ 1/4W J	
C2110	QEKC1HM-475Z	E CAPACITOR	4.7uF 50V M		R2006	QRE141J-222Y	C RESISTOR	2.2kΩ 1/4W J	
C2111	QFLC1HJ-272Z	M CAPACITOR	2700pF 50V J		R2007	QRE141J-622Y	C RESISTOR	6.2kΩ 1/4W J	
C2112	QFVJ1HJ-104Z	MF CAPACITOR	0.1uF 50V J		R2008	QRE141J-912Y	C RESISTOR	9.1kΩ 1/4W J	
C2113	QFVJ1HJ-104Z	MF CAPACITOR	0.1uF 50V J		R2010	QRE141J-752Y	C RESISTOR	7.5kΩ 1/4W J	
C2114	QFVJ1HJ-184Z	MF CAPACITOR	0.18uF 50V J		R2011	QRE141J-752Y	C RESISTOR	7.5kΩ 1/4W J	
C2115	QFVJ1HJ-184Z	MF CAPACITOR	0.18uF 50V J		R2012	QRE141J-202Y	C RESISTOR	2kΩ 1/4W J	
C2116	QFLC1HJ-823Z	M CAPACITOR	0.082uF 50V J		R2013	QRE141J-222Y	C RESISTOR	2.2kΩ 1/4W J	
C2117	QTE1C06-226Z	E CAPACITOR	22uF 16V		R2014	QRE141J-153Y	C RESISTOR	15kΩ 1/4W J	
C2118	QFLC1HJ-823Z	M CAPACITOR	0.082uF 50V J		R2015	QRE141J-473Y	C RESISTOR	47kΩ 1/4W J	
C2119	QFVF1HJ-274Z	MF CAPACITOR	0.27uF 50V J		R2016	QRE141J-622Y	C RESISTOR	6.2kΩ 1/4W J	
C2126	QFLC1HJ-123Z	M CAPACITOR	0.012uF 50V J		R2017	QRE141J-182Y	C RESISTOR	1.8kΩ 1/4W J	
C2127	QDGB1HK-102Y	C CAPACITOR	1000pF 50V K		R2025	QRE141J-103Y	C RESISTOR	10kΩ 1/4W J	
C2128	QTE1V06-106Z	E CAPACITOR	10uF 35V		R2026	QRE141J-332Y	C RESISTOR	3.3kΩ 1/4W J	
C2129	QCBB1HK-331Y	C CAPACITOR	330pF 50V K		R2027	QRE141J-472Y	C RESISTOR	4.7kΩ 1/4W J	
C2130	QFLC1HJ-104Z	M CAPACITOR	0.1uF 50V J		R2028	QRE141J-2R2Y	C RESISTOR	2.2Ω 1/4W J	
C2131	QFLC1HJ-104Z	M CAPACITOR	0.1uF 50V J		R2029	QRE141J-2R2Y	C RESISTOR	2.2Ω 1/4W J	
C2132	QCBB1HK-221Y	C CAPACITOR	220pF 50V K		R2030	QRE141J-163Y	C RESISTOR	16kΩ 1/4W J	
C2133	QDXB1CM-332Y	C CAPACITOR	3300pF 16V M		R2031	QRE141J-163Y	C RESISTOR	16kΩ 1/4W J	
C2200	QETM1EM-828	E CAPACITOR	8200uF 25V M		R2032	QRE141J-471Y	C RESISTOR	470Ω 1/4W J	
C2207	QFLA1HJ-104Z	M CAPACITOR	0.1uF 50V J		R2040	QRE141J-471Y	C RESISTOR	470Ω 1/4W J	
C2211	QDYB1CM-103Y	C CAPACITOR	0.01uF 16V M		R2041	QRE141J-182Y	C RESISTOR	1.8kΩ 1/4W J	
C2213	QETN1CM-106Z	E CAPACITOR	10uF 16V M		R2047	QRE141J-224Y	C RESISTOR	220kΩ 1/4W J	
C2214	QETN1HM-105Z	E CAPACITOR	1uF 50V M		R2100	QRE141J-303Y	C RESISTOR	30kΩ 1/4W J	
C2215	EKCC1CM-226ZJC	E CAPACITOR			R2101	QRE141J-303Y	C RESISTOR	30kΩ 1/4W J	
C2221	QETN1AM-107Z	E CAPACITOR	100uF 10V M		R2106	QRE141J-222Y	C RESISTOR	2.2kΩ 1/4W J	
C2222	EKCC1CM-107ZJC	E CAPACITOR			R2107	QRE141J-622Y	C RESISTOR	6.2kΩ 1/4W J	
C2224	QETN1CM-107Z	E CAPACITOR	100uF 16V M		R2108	QRE141J-912Y	C RESISTOR	9.1kΩ 1/4W J	
C2225	QETC1AM-336Z	E CAPACITOR	33uF 10V M		R2110	QRE141J-752Y	C RESISTOR	7.5kΩ 1/4W J	
C2226	QETN1HM-105Z	E CAPACITOR	1uF 50V M		R2111	QRE141J-752Y	C RESISTOR	7.5kΩ 1/4W J	
C2229	QETN1EM-106Z	E CAPACITOR	10uF 25V M		R2112	QRE141J-202Y	C RESISTOR	2kΩ 1/4W J	
C2230	QETN1HM-105Z	E CAPACITOR	1uF 50V M		R2113	QRE141J-222Y	C RESISTOR	2.2kΩ 1/4W J	
C2231	QETN1HM-105Z	E CAPACITOR	1uF 50V M		R2114	QRE141J-153Y	C RESISTOR	15kΩ 1/4W J	
C2232	QFLC1HJ-563Z	M CAPACITOR	0.056uF 50V J		R2115	QRE141J-473Y	C RESISTOR	47kΩ 1/4W J	
C2233	QFLC1HJ-563Z	M CAPACITOR	0.056uF 50V J		R2116	QRE141J-622Y	C RESISTOR	6.2kΩ 1/4W J	
C2234	QEKC1CM-107Z	E CAPACITOR	100uF 16V M		R2117	QRE141J-182Y	C RESISTOR	1.8kΩ 1/4W J	
C2235	QETN1HM-225Z	E CAPACITOR	2.2uF 50V M		R2125	QRE141J-103Y	C RESISTOR	10kΩ 1/4W J	
C2503	QDGB1HK-102Y	C CAPACITOR	1000pF 50V K		R2126	QRE141J-332Y	C RESISTOR	3.3kΩ 1/4W J	
C2504	QDGB1HK-102Y	C CAPACITOR	1000pF 50V K	P30B	R2127	QRE141J-472Y	C RESISTOR	4.7kΩ 1/4W J	
C3201	EETC1CM-107ZJC	E CAPACITOR			R2128	QRE141J-2R2Y	C RESISTOR	2.2Ω 1/4W J	
C3202	QFLC1HJ-104Z	M CAPACITOR	0.1uF 50V J		R2129	QRE141J-2R2Y	C RESISTOR	2.2Ω 1/4W J	
C3203	EETC1CM-107ZJC	E CAPACITOR			R2130	QRE141J-163Y	C RESISTOR	16kΩ 1/4W J	
C3204	QFLC1HJ-104Z	M CAPACITOR	0.1uF 50V J		R2131	QRE141J-163Y	C RESISTOR	16kΩ 1/4W J	
C3205	EETC1CM-107ZJC	E CAPACITOR			R2132	QRE141J-471Y	C RESISTOR	470Ω 1/4W J	
C3206	QFLC1HJ-104Z	M CAPACITOR	0.1uF 50V J		R2140	QRE141J-471Y	C RESISTOR	470Ω 1/4W J	
C3222	QFVJ1HJ-334Z	MF CAPACITOR	0.33uF 50V J		R2141	QRE141J-182Y	C RESISTOR	1.8kΩ 1/4W J	
C7001	QCSB1HJ-390Y	C CAPACITOR	39pF 50V J	P30B P30E, P30E N	R2147	QRE141J-224Y	C RESISTOR	220kΩ 1/4W J	
C7001	QCSB1HJ-200Y	C CAPACITOR	20pF 50V J	P30B P30E, P30E N	R2200	QRE141J-273Y	C RESISTOR	27kΩ 1/4W J	
C7002	QCSB1HJ-390Y	C CAPACITOR	39pF 50V J	P30B P30E, P30E N	R2207	QRE141J-513Y	C RESISTOR	51kΩ 1/4W J	
C7002	QCSB1HJ-220Y	C CAPACITOR	22pF 50V J	P30B P30E, P30E N	R2208	QRE141J-124Y	C RESISTOR	120kΩ 1/4W J	
C7003	QDGB1HK-102Y	C CAPACITOR	1000pF 50V K		R2209	QRE141J-154Y	C RESISTOR	150kΩ 1/4W J	
C7004	EKCC1AM-107ZJC	E CAPACITOR			R2213	QRE141J-682Y	C RESISTOR	6.8kΩ 1/4W J	
					R2214	QRE141J-682Y	C RESISTOR	6.8kΩ 1/4W J	
					R2218	QRE141J-471Y	C RESISTOR	470Ω 1/4W J	
					R2221	QRE141J-101Y	C RESISTOR	100Ω 1/4W J	

△ Symbol No.	Part No.	Part Name	Description	Local	△ Symbol No.	Part No.	Part Name	Description	Local	
R2222	QRE141J-222Y	C RESISTOR	2.2kΩ 1/4W J		R7162	QRE141J-103Y	C RESISTOR	10kΩ 1/4W J		
R2224	QRE141J-222Y	C RESISTOR	2.2kΩ 1/4W J		R7201	QRE141J-104Y	C RESISTOR	100kΩ 1/4W J		
R2231	QRE141J-222Y	C RESISTOR	2.2kΩ 1/4W J		R7202	QRE141J-103Y	C RESISTOR	10kΩ 1/4W J		
R3200	QRE141J-102Y	C RESISTOR	1kΩ 1/4W J		R7203	QRE141J-823Y	C RESISTOR	82kΩ 1/4W J		
R3201	QRE141J-822Y	C RESISTOR	8.2kΩ 1/4W J		R7206	QRE141J-473Y	C RESISTOR	47kΩ 1/4W J		
R3202	QRE141J-122Y	C RESISTOR	1.2kΩ 1/4W J		R7214	QRE141J-473Y	C RESISTOR	47kΩ 1/4W J		
R3203	QRE141J-472Y	C RESISTOR	4.7kΩ 1/4W J		R7215	QRE141J-473Y	C RESISTOR	47kΩ 1/4W J		
R3204	QRE141J-122Y	C RESISTOR	1.2kΩ 1/4W J		R7217	QRE141J-103Y	C RESISTOR	10kΩ 1/4W J		
R3205	QRE141J-622Y	C RESISTOR	6.2kΩ 1/4W J		R7218	QRE141J-103Y	C RESISTOR	10kΩ 1/4W J		
R3206	QRE141J-122Y	C RESISTOR	1.2kΩ 1/4W J		R7232	QRE141J-823Y	C RESISTOR	82kΩ 1/4W J		
R3207	QRE141J-820Y	C RESISTOR	82Ω 1/4W J		R7236	QRE141J-103Y	C RESISTOR	10kΩ 1/4W J		
R3209	QRE141J-820Y	C RESISTOR	82Ω 1/4W J		R7239	QRE141J-103Y	C RESISTOR	10kΩ 1/4W J		
△ R7000	QRZ9006-4R7X	F.RESISTOR	4.7Ω 1/4W J		R7247	QRE141J-103Y	C RESISTOR	10kΩ 1/4W J		
R7001	QRE141J-102Y	C RESISTOR	1kΩ 1/4W J		R7252	QRE141J-103Y	C RESISTOR	10kΩ 1/4W J		
R7002	QRE141J-103Y	C RESISTOR	10kΩ 1/4W J		R7253	QRE141J-104Y	C RESISTOR	100kΩ 1/4W J		
R7003	QRE141J-331Y	C RESISTOR	330Ω 1/4W J		R7254	QRE141J-103Y	C RESISTOR	10kΩ 1/4W J		
R7004	QRE141J-103Y	C RESISTOR	10kΩ 1/4W J		R7255	QRE141J-103Y	C RESISTOR	10kΩ 1/4W J		
R7005	QRE141J-103Y	C RESISTOR	10kΩ 1/4W J		L2200	QQR0797-001	COIL			
R7006	QRE141J-104Y	C RESISTOR	100kΩ 1/4W J		L2201	QQR0797-001	COIL			
R7007	QRE141J-473Y	C RESISTOR	47kΩ 1/4W J		L7001	QQL231K-100Y	COIL	10uH K		
R7008	QRE141J-333Y	C RESISTOR	33kΩ 1/4W J		L7002	QQL231K-470Y	COIL	47uH K		
R7041	QRE141J-823Y	C RESISTOR	82kΩ 1/4W J		L7003	QQL231K-4R7Y	COIL	4.7uH K		
R7042	QRE141J-394Y	C RESISTOR	390kΩ 1/4W J		CN900	QGF1205C1-10	CONNECTOR	FFC/FPC (1-10)		
R7043	QRE141J-104Y	C RESISTOR	100kΩ 1/4W J		CN901	QGF1205C1-09	CONNECTOR	FFC/FPC (1-9)		
R7062	QRE141J-102Y	C RESISTOR	1kΩ 1/4W J		CN902	QGF1205F1-13	CONNECTOR	FFC/FPC (1-13)		
R7064	QRE141J-103Y	C RESISTOR	10kΩ 1/4W J		CN903	QGF1205F1-13	CONNECTOR	FFC/FPC (1-13)		
R7065	QRE141J-563Y	C RESISTOR	56kΩ 1/4W J		CN904	QGF1205F1-16	CONNECTOR	FFC/FPC (1-16)		
R7075	QRE141J-222Y	C RESISTOR	2.2kΩ 1/4W J		CN906	QGA2501C1-05	CONNECTOR	W-B (1-5)		
R7076	QRE141J-473Y	C RESISTOR	47kΩ 1/4W J		CN907	QGD2504C1-04Z	CONNECTOR	(1-4)		
R7077	QRE141J-913Y	C RESISTOR	91kΩ 1/4W J		CN931	QGF1205F1-17	CONNECTOR	FFC/FPC (1-17)		
R7078	QRE141J-102Y	C RESISTOR	1kΩ 1/4W J		J900	QNN0215-001	SURROUND JACK			
R7079	QRE141J-223Y	C RESISTOR	22kΩ 1/4W J		J901	QNB0117-001	SPK TERMINAL			
R7101	QRE141J-222Y	C RESISTOR	2.2kΩ 1/4W J		K2200	QQR0621-001Z	COIL			
R7102	QRE141J-222Y	C RESISTOR	2.2kΩ 1/4W J		K7001	QQR0621-001Z	COIL			
R7103	QRE141J-222Y	C RESISTOR	2.2kΩ 1/4W J		K7002	QQR0621-001Z	COIL			
R7106	QRE141J-102Y	C RESISTOR	1kΩ 1/4W J		K7003	QQR0621-001Z	COIL			
R7108	QRE141J-102Y	C RESISTOR	1kΩ 1/4W J		PP901	QZW0038-001	WIRE CLAMP			
R7109	QRE141J-102Y	C RESISTOR	1kΩ 1/4W J		X7001	QAX0774-001Z	C RESONATOR		P30B	
R7110	QRE141J-102Y	C RESISTOR	1kΩ 1/4W J		X7001	QAX0763-001Z	C RESONATOR	4.19MHz	P30E, P30E N	
R7111	QRE141J-102Y	C RESISTOR	1kΩ 1/4W J		X7002	QAX0401-001	CRYSTAL	32.768KHz		
R7112	QRE141J-222Y	C RESISTOR	2.2kΩ 1/4W J		Z3001	QNG0003-001Z	FUSE CLIP			
R7113	QRE141J-222Y	C RESISTOR	2.2kΩ 1/4W J		Z3002	QNG0003-001Z	FUSE CLIP			
R7114	QRE141J-102Y	C RESISTOR	1kΩ 1/4W J		CD Servo board					
R7115	QRE141J-102Y	C RESISTOR	1kΩ 1/4W J		Block No. [0][3][0][0]					
R7116	QRE141J-222Y	C RESISTOR	2.2kΩ 1/4W J		△ Symbol No.	Part No.	Part Name	Description	Local	
R7117	QRE141J-222Y	C RESISTOR	2.2kΩ 1/4W J		IC601	AN22000A-W	IC	RF & SERVO AMP		
R7118	QRE141J-222Y	C RESISTOR	2.2kΩ 1/4W J		IC651	MN662748RPMFA	IC	Digital servo & Digital signal processor		
R7119	QRE141J-102Y	C RESISTOR	1kΩ 1/4W J		IC801	LA6541-X	IC	Focus & Spindle & Feed & Tracking		
R7120	QRE141J-222Y	C RESISTOR	2.2kΩ 1/4W J		IC802	LB1641	IC	BTL driver		
R7124	QRE141J-153Y	C RESISTOR	15kΩ 1/4W J		Q631	2SB709A/R/-X	TRANSISTOR	DC Motor driver		
R7126	QRE141J-222Y	C RESISTOR	2.2kΩ 1/4W J		Q801	2SA952/LK/-T	TRANSISTOR			
R7127	QRE141J-123Y	C RESISTOR	12kΩ 1/4W J		D831	MTZJ5.6B-T2	Z DIODE			
R7128	QRE141J-222Y	C RESISTOR	2.2kΩ 1/4W J		C601	NCB31CK-104X	C CAPACITOR	0.1uF 16V K		
R7129	QRE141J-222Y	C RESISTOR	2.2kΩ 1/4W J		C602	NCB31HK-222X	C CAPACITOR	2200pF 50V K		
R7130	QRE141J-222Y	C RESISTOR	2.2kΩ 1/4W J		C603	NCB31HK-223X	C CAPACITOR	0.022uF 50V K		
R7131	QRE141J-222Y	C RESISTOR	2.2kΩ 1/4W J		C604	NCB31HK-223X	C CAPACITOR	0.022uF 50V K		
R7132	QRE141J-222Y	C RESISTOR	2.2kΩ 1/4W J		C605	NCS31HJ-391X	C CAPACITOR	390pF 50V J		
R7133	QRE141J-222Y	C RESISTOR	2.2kΩ 1/4W J		C606	NCS31HJ-560X	C CAPACITOR	56pF 50V J		
R7134	QRE141J-222Y	C RESISTOR	2.2kΩ 1/4W J		C610	NCB31CK-273X	C CAPACITOR	0.027uF 16V K		
R7136	QRE141J-222Y	C RESISTOR	2.2kΩ 1/4W J		C612	EEKJ1HM-105ZJC	E CAPACITOR	1uF 50V M	P30B	
R7137	QRE141J-222Y	C RESISTOR	2.2kΩ 1/4W J							
R7139	QRE141J-222Y	C RESISTOR	2.2kΩ 1/4W J							
R7141	QRE141J-222Y	C RESISTOR	2.2kΩ 1/4W J							
R7142	QRE141J-102Y	C RESISTOR	1kΩ 1/4W J							
R7143	QRE141J-222Y	C RESISTOR	2.2kΩ 1/4W J							
R7144	QRE141J-222Y	C RESISTOR	2.2kΩ 1/4W J							
R7145	QRE141J-102Y	C RESISTOR	1kΩ 1/4W J							
R7146	QRE141J-222Y	C RESISTOR	2.2kΩ 1/4W J							
R7147	QRE141J-102Y	C RESISTOR	1kΩ 1/4W J							
R7148	QRE141J-222Y	C RESISTOR	2.2kΩ 1/4W J							
R7149	QRE141J-103Y	C RESISTOR	10kΩ 1/4W J							
R7150	QRE141J-222Y	C RESISTOR	2.2kΩ 1/4W J							
R7151	QRE141J-222Y	C RESISTOR	2.2kΩ 1/4W J							
R7152	QRE141J-222Y	C RESISTOR	2.2kΩ 1/4W J							
R7153	QRE141J-222Y	C RESISTOR	2.2kΩ 1/4W J							
R7154	QRE141J-222Y	C RESISTOR	2.2kΩ 1/4W J							
R7155	QRE141J-222Y	C RESISTOR	2.2kΩ 1/4W J							
R7157	QRE141J-103Y	C RESISTOR	10kΩ 1/4W J							

△ Symbol No.	Part No.	Part Name	Description	Local	△ Symbol No.	Part No.	Part Name	Description	Local																																																		
C612	QERF1HM-105Z	E CAPACITOR	1uF 50V M	P30E, P30E N	R617	NRSA63J-472X	MG RESISTOR	4.7kΩ 1/16W J																																																			
C613	NCB31AK-224X	C CAPACITOR	0.22uF 10V K		R631	NRSA63J-2R2X	MG RESISTOR	2.2Ω 1/16W J																																																			
C614	NCB31CK-273X	C CAPACITOR	0.027uF 16V K		R632	NRSA63J-100X	MG RESISTOR	10Ω 1/16W J																																																			
C615	NCB31HK-472X	C CAPACITOR	4700pF 50V K		R634	NRSA63J-120X	MG RESISTOR	12Ω 1/16W J																																																			
C616	NCB31HK-103X	C CAPACITOR	0.01uF 50V K		R635	NRSA63J-121X	MG RESISTOR	120Ω 1/16W J																																																			
C617	NCS31HJ-331X	C CAPACITOR	330pF 50V J		R636	NRSA63J-910X	MG RESISTOR	91Ω 1/16W J																																																			
C619	NDC31HJ-330X	C CAPACITOR	33pF 50V J		R641	NRSA63J-184X	MG RESISTOR	180kΩ 1/16W J																																																			
C621	NCF31AZ-105X	C CAPACITOR	1uF 10V Z		R642	NRSA63J-564X	MG RESISTOR	560kΩ 1/16W J																																																			
C622	NCB31CK-473X	C CAPACITOR	0.047uF 16V K		R643	NRSA63J-153X	MG RESISTOR	15kΩ 1/16W J																																																			
C623	NCF31AZ-105X	C CAPACITOR	1uF 10V Z		R647	NRSA63J-0R0X	MG RESISTOR	0Ω 1/16W J																																																			
C624	QEKJ0JM-107Z	E CAPACITOR	100uF 6.3V M	P30B P30E, P30E N	R651	NRSA63J-102X	MG RESISTOR	1kΩ 1/16W J																																																			
C624	QERF0JM-107Z	E CAPACITOR	100uF 6.3V M		R652	NRSA63J-102X	MG RESISTOR	1kΩ 1/16W J																																																			
C631	QEKJ1CM-106Z	E CAPACITOR	10uF 16V M	P30B P30E, P30E N	R653	NRSA63J-102X	MG RESISTOR	1kΩ 1/16W J																																																			
C631	QERF1CM-106Z	E CAPACITOR	10uF 16V M		R655	NRSA63J-102X	MG RESISTOR	1kΩ 1/16W J																																																			
C632	NCF31AZ-105X	C CAPACITOR	1uF 10V Z		R656	NRSA63J-102X	MG RESISTOR	1kΩ 1/16W J																																																			
C633	NCB31HK-223X	C CAPACITOR	0.022uF 50V K		R657	NRSA63J-0R0X	MG RESISTOR	0Ω 1/16W J																																																			
C641	NCB31CK-473X	C CAPACITOR	0.047uF 16V K		R658	NRSA63J-0R0X	MG RESISTOR	0Ω 1/16W J																																																			
C642	NCB31HK-472X	C CAPACITOR	4700pF 50V K		R659	NRSA63J-0R0X	MG RESISTOR	0Ω 1/16W J																																																			
C643	NCS31HJ-821X	C CAPACITOR	820pF 50V J		R661	NRSA63J-393X	MG RESISTOR	39kΩ 1/16W J																																																			
C651	NDC31HJ-120X	C CAPACITOR	12pF 50V J		R662	NRSA63J-683X	MG RESISTOR	68kΩ 1/16W J																																																			
C652	NDC31HJ-120X	C CAPACITOR	12pF 50V J		R663	NRSA63J-124X	MG RESISTOR	120kΩ 1/16W J																																																			
C653	NCB31CK-104X	C CAPACITOR	0.1uF 16V K		R664	NRSA63J-331X	MG RESISTOR	330Ω 1/16W J																																																			
C654	NCS31HJ-151X	C CAPACITOR	150pF 50V J		R665	NRSA63J-271X	MG RESISTOR	270Ω 1/16W J																																																			
C655	NCB31CK-104X	C CAPACITOR	0.1uF 16V K		R666	NRSA63J-221X	MG RESISTOR	220Ω 1/16W J																																																			
C656	NCB31CK-104X	C CAPACITOR	0.1uF 16V K		R667	NRSA63J-4R7X	MG RESISTOR	4.7Ω 1/16W J																																																			
C657	QERF1AM-227Z	E CAPACITOR	220uF 10V M		R670	NRSA63J-101X	MG RESISTOR	100Ω 1/16W J																																																			
C658	NCB31CK-104X	C CAPACITOR	0.1uF 16V K		R681	NRSA63J-272X	MG RESISTOR	2.7kΩ 1/16W J																																																			
C661	NCS31HJ-471X	C CAPACITOR	470pF 50V J		R682	NRSA63J-102X	MG RESISTOR	1kΩ 1/16W J																																																			
C663	NCB31HK-223X	C CAPACITOR	0.022uF 50V K		R683	NRSA63J-105X	MG RESISTOR	1MΩ 1/16W J																																																			
C664	NCB31HK-223X	C CAPACITOR	0.022uF 50V K		R684	NRSA63J-155X	MG RESISTOR	1.5MΩ 1/16W J																																																			
C665	NCB31AK-334X	C CAPACITOR	0.33uF 10V K		R691	NRSA63J-102X	MG RESISTOR	1kΩ 1/16W J																																																			
C669	QERF1AM-227Z	E CAPACITOR	220uF 10V M		R692	NRSA63J-102X	MG RESISTOR	1kΩ 1/16W J																																																			
C670	NCS31HJ-151X	C CAPACITOR	150pF 50V J		R801	NRSA63J-272X	MG RESISTOR	2.7kΩ 1/16W J																																																			
C671	NCS31HJ-151X	C CAPACITOR	150pF 50V J		R802	NRSA63J-472X	MG RESISTOR	4.7kΩ 1/16W J																																																			
C672	NCS31HJ-151X	C CAPACITOR	150pF 50V J		R803	NRSA63J-472X	MG RESISTOR	4.7kΩ 1/16W J																																																			
C673	QERF1AM-227Z	E CAPACITOR	220uF 10V M		R804	NRSA63J-823X	MG RESISTOR	82kΩ 1/16W J																																																			
C676	NCB31CK-104X	C CAPACITOR	0.1uF 16V K		R805	NRSA63J-912X	MG RESISTOR	9.1kΩ 1/16W J																																																			
C677	NCB31CK-104X	C CAPACITOR	0.1uF 16V K		R806	NRSA63J-513X	MG RESISTOR	51kΩ 1/16W J																																																			
C679	QEKJ0JM-107Z	E CAPACITOR	100uF 6.3V M	P30B P30E, P30E N	R807	NRSA63J-392X	MG RESISTOR	3.9kΩ 1/16W J																																																			
C679	QERF0JM-107Z	E CAPACITOR	100uF 6.3V M		R808	NRSA63J-563X	MG RESISTOR	56kΩ 1/16W J	P30B, P30E P30E N																																																		
C680	NCB31CK-104X	C CAPACITOR	0.1uF 16V K		R808	NRSA63J-393X	MG RESISTOR	39kΩ 1/16W J																																																			
C681	NCB31AK-334X	C CAPACITOR	0.33uF 10V K		R821	NRSA63J-0R0X	MG RESISTOR	0Ω 1/16W J																																																			
C693	NCB31HK-222X	C CAPACITOR	2200pF 50V K		R822	NRSA63J-473X	MG RESISTOR	47kΩ 1/16W J																																																			
C694	NCB31HK-222X	C CAPACITOR	2200pF 50V K		R831	QRE141J-100Y	C RESISTOR	10Ω 1/4W J																																																			
C801	NCB31HK-682X	C CAPACITOR	6800pF 50V K		L831	QQL244K-100Z	COIL	10uH K																																																			
C802	NCB31HK-472X	C CAPACITOR	4700pF 50V K		CN601	QGF1016F1-16	CONNECTOR	FFC/FPC (1-16)																																																			
C811	NCS31HJ-391X	C CAPACITOR	390pF 50V J		CN606	QGF1205F1-05	CONNECTOR	FFC/FPC (1-5)																																																			
C812	NCS31HJ-391X	C CAPACITOR	390pF 50V J		CN651	QGF1205F1-16	CONNECTOR	FFC/FPC (1-16)																																																			
C813	NCS31HJ-391X	C CAPACITOR	390pF 50V J		CN652	QGF1205F1-13	CONNECTOR	FFC/FPC (1-13)																																																			
C814	NCS31HJ-391X	C CAPACITOR	390pF 50V J		CN801	QGA2001C1-06	CONNECTOR	W-B (1-6)																																																			
C821	NCF31AZ-105X	C CAPACITOR	1uF 10V Z		X651	QAX0413-001Z	CRYSTAL	16.9344MHz																																																			
C822	QERF1AM-227Z	E CAPACITOR	220uF 10V M		<h2 style="text-align: center;">Tuner board</h2> <p style="text-align: right; margin-right: 50px;">Block No. [0][4][0][0]</p> <table border="1" style="width: 100%; border-collapse: collapse;"> <thead> <tr> <th>△ Symbol No.</th> <th>Part No.</th> <th>Part Name</th> <th>Description</th> <th>Local</th> </tr> </thead> <tbody> <tr> <td>IC1</td> <td>LA1838</td> <td>IC</td> <td>FM AM IF AMP&detector, FM MPX Decoder</td> <td></td> </tr> <tr> <td>IC2</td> <td>LC72136N</td> <td>IC</td> <td>PLL frequency synthesizer</td> <td></td> </tr> <tr> <td>IC3</td> <td>LC72723</td> <td>IC(RDS)</td> <td>RDS demodulation</td> <td></td> </tr> <tr> <td>Q1</td> <td>2SC2814/4-5/-X</td> <td>TRANSISTOR</td> <td></td> <td></td> </tr> <tr> <td>Q5</td> <td>KRA107S-X</td> <td>DIGI TRANSISTOR</td> <td></td> <td></td> </tr> <tr> <td>D1</td> <td>1SS133-T2</td> <td>DIODE</td> <td></td> <td></td> </tr> <tr> <td>D2</td> <td>1SS133-T2</td> <td>DIODE</td> <td></td> <td></td> </tr> <tr> <td>D3</td> <td>1SS133-T2</td> <td>DIODE</td> <td></td> <td></td> </tr> <tr> <td>D4</td> <td>1SS133-T2</td> <td>DIODE</td> <td></td> <td></td> </tr> </tbody> </table>					△ Symbol No.	Part No.	Part Name	Description	Local	IC1	LA1838	IC	FM AM IF AMP&detector, FM MPX Decoder		IC2	LC72136N	IC	PLL frequency synthesizer		IC3	LC72723	IC(RDS)	RDS demodulation		Q1	2SC2814/4-5/-X	TRANSISTOR			Q5	KRA107S-X	DIGI TRANSISTOR			D1	1SS133-T2	DIODE			D2	1SS133-T2	DIODE			D3	1SS133-T2	DIODE			D4	1SS133-T2	DIODE		
△ Symbol No.	Part No.	Part Name	Description	Local																																																							
IC1	LA1838	IC	FM AM IF AMP&detector, FM MPX Decoder																																																								
IC2	LC72136N	IC	PLL frequency synthesizer																																																								
IC3	LC72723	IC(RDS)	RDS demodulation																																																								
Q1	2SC2814/4-5/-X	TRANSISTOR																																																									
Q5	KRA107S-X	DIGI TRANSISTOR																																																									
D1	1SS133-T2	DIODE																																																									
D2	1SS133-T2	DIODE																																																									
D3	1SS133-T2	DIODE																																																									
D4	1SS133-T2	DIODE																																																									
C823	QERF1AM-227Z	E CAPACITOR	220uF 10V M																																																								
C824	NCB31HK-222X	C CAPACITOR	2200pF 50V K																																																								
C831	EKJ1CM-107ZJC	E CAPACITOR																																																									
C832	NCB31HK-103X	C CAPACITOR	0.01uF 50V K																																																								
C833	NCB31CK-104X	C CAPACITOR	0.1uF 16V K																																																								
R601	NRSA63J-274X	MG RESISTOR	270kΩ 1/16W J																																																								
R602	NRSA63J-684X	MG RESISTOR	680kΩ 1/16W J																																																								
R603	NRSA63J-433X	MG RESISTOR	43kΩ 1/16W J																																																								
R604	NRSA63J-274X	MG RESISTOR	270kΩ 1/16W J																																																								
R605	NRSA63J-472X	MG RESISTOR	4.7kΩ 1/16W J																																																								
R606	NRSA63J-472X	MG RESISTOR	4.7kΩ 1/16W J																																																								
R607	NRSA63J-623X	MG RESISTOR	62kΩ 1/16W J																																																								
R610	NRSA63J-223X	MG RESISTOR	22kΩ 1/16W J																																																								
R611	NRSA63J-223X	MG RESISTOR	22kΩ 1/16W J																																																								
R612	NRSA63J-822X	MG RESISTOR	8.2kΩ 1/16W J																																																								
R613	NRSA63J-472X	MG RESISTOR	4.7kΩ 1/16W J																																																								
R615	NRSA63J-472X	MG RESISTOR	4.7kΩ 1/16W J																																																								
R616	NRSA63J-472X	MG RESISTOR	4.7kΩ 1/16W J																																																								

△ Symbol No.	Part No.	Part Name	Description	Local
D11	1SS133-T2	DIODE		
C1	NCB21HK-223X	C CAPACITOR	0.022uF 50V K	
C2	NCB21HK-103X	C CAPACITOR	0.01uF 50V K	
C3	EETC1CM-106ZJC	E CAPACITOR		
C4	NCB21HK-103X	C CAPACITOR	0.01uF 50V K	
C6	NCB21HK-222X	C CAPACITOR	2200pF 50V K	
C7	NCB21HK-102X	C CAPACITOR	1000pF 50V K	
C8	NCB21HK-102X	C CAPACITOR	1000pF 50V K	
C9	NCB21HK-102X	C CAPACITOR	1000pF 50V K	
C10	NRSA02J-0R0X	MG RESISTOR	0Ω 1/10W J	
C11	NCB21HK-104X	C CAPACITOR	0.1uF 50V K	
C12	NCB21HK-473X	C CAPACITOR	0.047uF 50V K	
C13	NCS21HJ-100X	C CAPACITOR	10pF 50V J	
C14	QEKC1AM-107Z	E CAPACITOR	100uF 10V M	
C15	NCS21HJ-120X	C CAPACITOR	12pF 50V J	
C16	NCS21HJ-120X	C CAPACITOR	12pF 50V J	
C17	NCB21HK-392X	C CAPACITOR	3900pF 50V K	
C18	QEQ61HM-474Z	E CAPACITOR	0.47uF 50V M	
C19	NCB21HK-473X	C CAPACITOR	0.047uF 50V K	
C20	NCB21HK-102X	C CAPACITOR	1000pF 50V K	
C21	NCB21HK-223X	C CAPACITOR	0.022uF 50V K	
C22	NCS21HJ-151X	C CAPACITOR	150pF 50V J	
C23	NCS21HJ-151X	C CAPACITOR	150pF 50V J	
C24	NCS21HJ-151X	C CAPACITOR	150pF 50V J	
C25	QEKC1AM-107Z	E CAPACITOR	100uF 10V M	
C26	NCB21HK-103X	C CAPACITOR	0.01uF 50V K	
C27	NCB21HK-103X	C CAPACITOR	0.01uF 50V K	
C30	EEKC1CM-107ZJC	E CAPACITOR		
C31	EEKC1CM-226ZJC	E CAPACITOR		
C32	NCB21HK-473X	C CAPACITOR	0.047uF 50V K	
C33	NCB21HK-473X	C CAPACITOR	0.047uF 50V K	
C34	NCB21HK-223X	C CAPACITOR	0.022uF 50V K	
C35	NCB21HK-473X	C CAPACITOR	0.047uF 50V K	
C36	EEKC1HM-105ZJC	E CAPACITOR		
C37	EEKC1HM-105ZJC	E CAPACITOR		
C38	EETC1HM-224ZJC	E CAPACITOR		
C39	EETC1HM-105ZJC	E CAPACITOR		
C40	QETN1CM-106Z	E CAPACITOR	10uF 16V M	
C41	QETN1CM-106Z	E CAPACITOR	10uF 16V M	
C42	NCB21HK-182X	C CAPACITOR	1800pF 50V K	
C43	NCB21HK-182X	C CAPACITOR	1800pF 50V K	
C44	QETN1CM-106Z	E CAPACITOR	10uF 16V M	
C45	QETN1CM-106Z	E CAPACITOR	10uF 16V M	
C46	NCB21HK-223X	C CAPACITOR	0.022uF 50V K	
C47	EETC1HM-105ZJC	E CAPACITOR		
C48	NCB21HK-222X	C CAPACITOR	2200pF 50V K	
C49	NCS21HJ-471X	C CAPACITOR	470pF 50V J	
C50	EEKC1CM-226ZJC	E CAPACITOR		
C51	EEKC1HM-105ZJC	E CAPACITOR		
C52	QFVJ1HJ-274Z	MF CAPACITOR	0.27uF 50V J	
C53	EETC1CM-226ZJC	E CAPACITOR		
C54	NCB21HK-473X	C CAPACITOR	0.047uF 50V K	
C57	NCB21HK-102X	C CAPACITOR	1000pF 50V K	
C58	NCB21HK-473X	C CAPACITOR	0.047uF 50V K	
C59	NCB21HK-102X	C CAPACITOR	1000pF 50V K	
C70	NCS21HJ-220X	C CAPACITOR	22pF 50V J	
C71	NCS21HJ-220X	C CAPACITOR	22pF 50V J	
C72	NCB21HK-561X	C CAPACITOR	560pF 50V K	
C73	NCB21HK-104X	C CAPACITOR	0.1uF 50V K	
C74	NCB21HK-104X	C CAPACITOR	0.1uF 50V K	
C75	EETC1HM-106ZJC	E CAPACITOR		
C76	NCB21HK-331X	C CAPACITOR	330pF 50V K	
R2	NRSA02J-331X	MG RESISTOR	330Ω 1/10W J	
R3	NRSA02J-224X	MG RESISTOR	220kΩ 1/10W J	
R4	NRSA02J-331X	MG RESISTOR	330Ω 1/10W J	
R5	NRSA02J-560X	MG RESISTOR	56Ω 1/10W J	
R6	NRSA02J-120X	MG RESISTOR	12Ω 1/10W J	
R10	NRSA02J-222X	MG RESISTOR	2.2kΩ 1/10W J	
R13	NRSA02J-103X	MG RESISTOR	10kΩ 1/10W J	
R14	NRSA02J-104X	MG RESISTOR	100kΩ 1/10W J	
R15	NRSA02J-332X	MG RESISTOR	3.3kΩ 1/10W J	
R16	NRSA02J-472X	MG RESISTOR	4.7kΩ 1/10W J	
△ R17	QRZ9005-680X	FUSI RESISTOR	68Ω	
R18	NRSA02J-102X	MG RESISTOR	1kΩ 1/10W J	
R19	NRSA02J-102X	MG RESISTOR	1kΩ 1/10W J	
R20	NRSA02J-102X	MG RESISTOR	1kΩ 1/10W J	

△ Symbol No.	Part No.	Part Name	Description	Local
R21	NRSA02J-562X	MG RESISTOR	5.6kΩ 1/10W J	
R22	NRSA02J-472X	MG RESISTOR	4.7kΩ 1/10W J	
R23	NRSA02J-182X	MG RESISTOR	1.8kΩ 1/10W J	
R24	NRSA02J-103X	MG RESISTOR	10kΩ 1/10W J	
R25	NRSA02J-331X	MG RESISTOR	330Ω 1/10W J	
R26	NRSA02J-222X	MG RESISTOR	2.2kΩ 1/10W J	
R27	NRSA02J-103X	MG RESISTOR	10kΩ 1/10W J	
R28	NRSA02J-103X	MG RESISTOR	10kΩ 1/10W J	
R29	NRSA02J-103X	MG RESISTOR	10kΩ 1/10W J	
R31	NRSA02J-102X	MG RESISTOR	1kΩ 1/10W J	
R32	NRSA02J-102X	MG RESISTOR	1kΩ 1/10W J	
R33	NRSA02J-331X	MG RESISTOR	330Ω 1/10W J	
R34	NRSA02J-470X	MG RESISTOR	47Ω 1/10W J	
R35	NRSA02J-562X	MG RESISTOR	5.6kΩ 1/10W J	
R36	NRSA02J-332X	MG RESISTOR	3.3kΩ 1/10W J	
R37	NRSA02J-103X	MG RESISTOR	10kΩ 1/10W J	
R38	NRSA02J-393X	MG RESISTOR	39kΩ 1/10W J	
R39	NRSA02J-393X	MG RESISTOR	39kΩ 1/10W J	
R40	NRSA02J-393X	MG RESISTOR	39kΩ 1/10W J	
R41	NRSA02J-332X	MG RESISTOR	3.3kΩ 1/10W J	
R60	NRSA02J-0R0X	MG RESISTOR	0Ω 1/10W J	
R72	NRSA02J-102X	MG RESISTOR	1kΩ 1/10W J	
R73	NRSA02J-102X	MG RESISTOR	1kΩ 1/10W J	
L1	QQR0796-003	COIL BLOCK		
L70	QQL231K-101Y	COIL	100uH K	
T1	QQR0793-001	IFT		
	FMMW1061-004	P.W.BOARD 1/6		
CF1	QAX0420-001	C FILTER	10.700MHz	
CF2	QAX0458-001Z	C FILTER	10.700MHz	
CF3	QAX0610-001Z	C DISCRIMINATOR	10.700MHz	
CN1	QGF1205F1-13	CONNECTOR	FFC/FPC (1-13)	
J1	QNB0014-001	ANT.TERMINAL		
TU1	QAU0160-001	FRONT END		
X1	QAX0402-001	CRYSTAL	75.0kHz	
X70	QAX0263-001Z	CRYSTAL	4.332MHz	

Cassette switch board

Block No. [0][5][0][0]

△ Symbol No.	Part No.	Part Name	Description	Local
IC1	SG-105F3-BB,C	PHOTO SENSER		
IC32	HA12238F	IC	R/P Equalizer	
IC33	CD4094BC	IC	Serial to parallel port extension	
L301	QQR1118-002	OSC COIL(BIAS)		
CN1	QGF1205F1-09	CONNECTOR	FFC/FPC (1-9)	
CN31	QGF1205F1-06	CONNECTOR	FFC/FPC (1-6)	
CN32	QGF1205F1-09	CONNECTOR	FFC/FPC (1-9)	
CN33	QGF1205F1-09	CONNECTOR	FFC/FPC (1-9)	
CN34	QGF1201F3-10	CONNECTOR	FFC/FPC (1-10)	
FW100	QUM024-07A2Z3	PARA RIBON WIRE		
H32	GV40397-002A	IC HOLDER		
P1	QNZ0104-001	POST PIN		
SW1	QSW0832-001	CASS.SWITCH		
SW2	QSW0832-001	CASS.SWITCH		
SW5	QSW0832-001	CASS.SWITCH		
SW6	QSW0859-001	DETECT SWITCH		

Head amplifier board

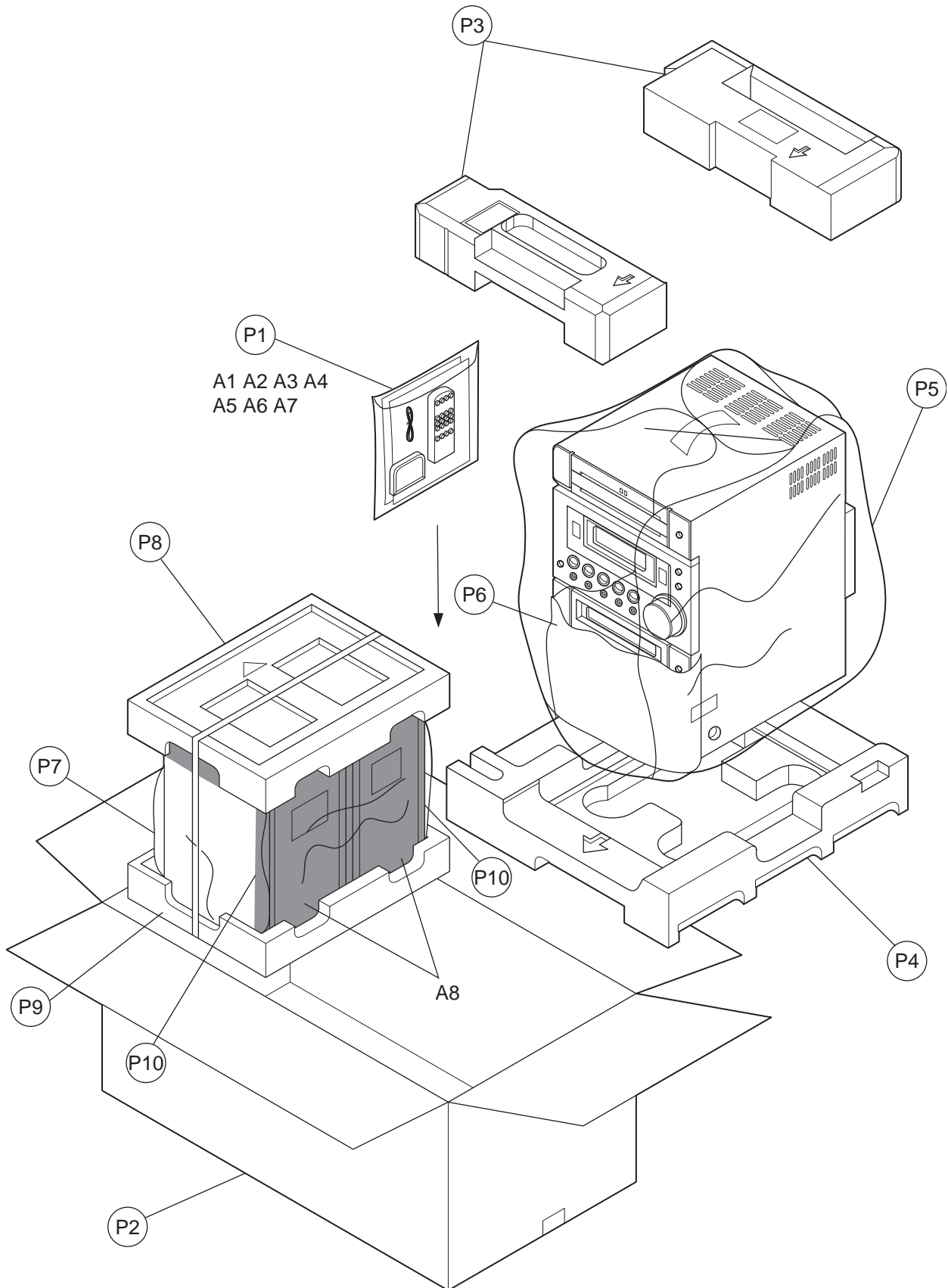
Block No. [0][6][0][0]

△ Symbol No.	Part No.	Part Name	Description	Local
Q302	2SC2001/K-T	TRANSISTOR		
Q305	2SC2001/K-T	TRANSISTOR		

△ Symbol No.	Part No.	Part Name	Description	Local	△ Symbol No.	Part No.	Part Name	Description	Local
Q342	KRA111M-T	DIGI TRANSISTOR			R301	QRE141J-221Y	C RESISTOR	220Ω 1/4W J	
Q343	2SC3576-JVC-T	TRANSISTOR			R302	QRE141J-222Y	C RESISTOR	2.2kΩ 1/4W J	
Q344	2SC3576-JVC-T	TRANSISTOR			R303	QRE141J-222Y	C RESISTOR	2.2kΩ 1/4W J	
Q345	2SC3576-JVC-T	TRANSISTOR			△R304	QRJ146J-101X	UNF C RESISTOR	100Ω 1/4W J	
Q346	2SC3576-JVC-T	TRANSISTOR			R305	QRE141J-103Y	C RESISTOR	10kΩ 1/4W J	
Q347	KRC107M-T	DIGI TRANSISTOR			R306	QRE141J-472Y	C RESISTOR	4.7kΩ 1/4W J	
Q371	KTA1271/OY/-T	TRANSISTOR			△R310	QRJ146J-4R7X	UNF C RESISTOR	4.7Ω 1/4W J	
Q372	KRC107M-T	DIGI TRANSISTOR			R313	QRE141J-2R2Y	C RESISTOR	2.2Ω 1/4W J	
Q375	2SB562/C/-T	TRANSISTOR			R314	QRE141J-153Y	C RESISTOR	15kΩ 1/4W J	
Q376	KTC3199/GL/-T	TRANSISTOR			R315	QRE141J-101Y	C RESISTOR	100Ω 1/4W J	
D1	1SR139-400-T2	SI DIODE			R327	QRE141J-474Y	C RESISTOR	470kΩ 1/4W J	
D340	MTZJ5.1B-T2	Z DIODE			R335	QRE141J-222Y	C RESISTOR	2.2kΩ 1/4W J	
D375	MTZJ5.1B-T2	Z DIODE			R336	QRE141J-223Y	C RESISTOR	22kΩ 1/4W J	
C101	QDGB1HK-821Y	C CAPACITOR	820pF 50V K		R337	QRE141J-332Y	C RESISTOR	3.3kΩ 1/4W J	
C102	QDYB1CM-103Y	C CAPACITOR	0.01uF 16V M		R338	QRE141J-392Y	C RESISTOR	3.9kΩ 1/4W J	
C103	QFLA1HJ-104Z	M CAPACITOR	0.1uF 50V J		R339	QRE141J-104Y	C RESISTOR	100kΩ 1/4W J	
C104	QCBB1HK-221Y	C CAPACITOR	220pF 50V K		R340	QRE141J-681Y	C RESISTOR	680Ω 1/4W J	
C105	QCBB1HK-391Y	C CAPACITOR	390pF 50V K		R341	QRE141J-123Y	C RESISTOR	12kΩ 1/4W J	
C106	QERF1HM-225Z	E CAPACITOR	2.2uF 50V M		R342	QRE141J-243Y	C RESISTOR	24kΩ 1/4W J	
C107	QCBB1HK-271Y	C CAPACITOR	270pF 50V K		R343	QRE141J-183Y	C RESISTOR	18kΩ 1/4W J	
C109	QEKJ1EM-475Z	E CAPACITOR	4.7uF 25V M		R344	QRE141J-472Y	C RESISTOR	4.7kΩ 1/4W J	
C110	QDYB1CM-682Y	C CAPACITOR	6800pF 16V M		R345	QRE141J-472Y	C RESISTOR	4.7kΩ 1/4W J	
C113	QFLA1HJ-104Z	M CAPACITOR	0.1uF 50V J		R346	QRE141J-472Y	C RESISTOR	4.7kΩ 1/4W J	
C120	QCSB1HK-4R7Y	C CAPACITOR	4.7pF 50V K		R347	QRE141J-103Y	C RESISTOR	10kΩ 1/4W J	
C121	QCBB1HK-331Y	C CAPACITOR	330pF 50V K		△R353	QRZ9005-100X	FUSI RESISTOR	10Ω	
C201	QDGB1HK-821Y	C CAPACITOR	820pF 50V K		R371	QRE141J-123Y	C RESISTOR	12kΩ 1/4W J	
C202	QDYB1CM-103Y	C CAPACITOR	0.01uF 16V M		R372	QRE141J-102Y	C RESISTOR	1kΩ 1/4W J	
C203	QFLA1HJ-104Z	M CAPACITOR	0.1uF 50V J		R375	QRE141J-151Y	C RESISTOR	150Ω 1/4W J	
C204	QCBB1HK-221Y	C CAPACITOR	220pF 50V K		R376	QRE141J-472Y	C RESISTOR	4.7kΩ 1/4W J	
C205	QCBB1HK-391Y	C CAPACITOR	390pF 50V K		VR31	QVP0008-203Z	TRIM RESISTOR	20kΩ	
C206	QERF1HM-225Z	E CAPACITOR	2.2uF 50V M		VR37	QVP0077-103Z	TRIM RESISTOR	10kΩ	
C207	QCBB1HK-271Y	C CAPACITOR	270pF 50V K		L303	QQL244K-100Z	COIL	10uH K	
C209	QEKJ1EM-475Z	E CAPACITOR	4.7uF 25V M						
C210	QDYB1CM-682Y	C CAPACITOR	6800pF 16V M						
C213	QFLA1HJ-104Z	M CAPACITOR	0.1uF 50V J						
C220	QCSB1HK-4R7Y	C CAPACITOR	4.7pF 50V K						
C221	QCBB1HK-331Y	C CAPACITOR	330pF 50V K						
C300	QEKJ1HM-105Z	E CAPACITOR	1uF 50V M						
C301	QEKJ1AM-107Z	E CAPACITOR	100uF 10V M						
C304	QEKJ1CM-106Z	E CAPACITOR	10uF 16V M						
C306	FQETJ1AM-227Z	E CAPACITOR							
C307	QDGB1HK-102Y	C CAPACITOR	1000pF 50V K						
C308	QDXB1CM-152Y	C CAPACITOR	1500pF 16V M						
C310	QCBB1HK-223Y	C CAPACITOR	0.022uF 50V K						
C313	QEKJ1AM-107Z	E CAPACITOR	100uF 10V M						
C314	QCFB1HZ-105Y	C CAPACITOR	1uF 50V Z						
C316	QFG32AJ-223Z	PP CAPACITOR	0.022uF 100V J						
C319	QFLC1HJ-472Z	M CAPACITOR	4700pF 50V J						
C331	QEKJ1CM-476Z	E CAPACITOR	47uF 16V M						
C340	QEKJ1CM-476Z	E CAPACITOR	47uF 16V M						
C341	QEKJ1HM-105Z	E CAPACITOR	1uF 50V M						
C342	QEKJ1CM-476Z	E CAPACITOR	47uF 16V M						
C371	QEKJ1EM-475Z	E CAPACITOR	4.7uF 25V M						
C374	QEKJ1AM-107Z	E CAPACITOR	100uF 10V M						
C376	QDYB1CM-103Y	C CAPACITOR	0.01uF 16V M						
R101	QRE141J-512Y	C RESISTOR	5.1kΩ 1/4W J						
R102	QRE141J-512Y	C RESISTOR	5.1kΩ 1/4W J						
R104	QRE141J-222Y	C RESISTOR	2.2kΩ 1/4W J						
R105	QRE141J-104Y	C RESISTOR	100kΩ 1/4W J						
R106	QRE141J-113Y	C RESISTOR	11kΩ 1/4W J						
R107	QRE141J-912Y	C RESISTOR	9.1kΩ 1/4W J						
R108	QRE141J-273Y	C RESISTOR	27kΩ 1/4W J						
R110	QRE141J-103Y	C RESISTOR	10kΩ 1/4W J						
R116	QRE141J-102Y	C RESISTOR	1kΩ 1/4W J						
R121	QRE141J-153Y	C RESISTOR	15kΩ 1/4W J						
R201	QRE141J-512Y	C RESISTOR	5.1kΩ 1/4W J						
R202	QRE141J-512Y	C RESISTOR	5.1kΩ 1/4W J						
R204	QRE141J-222Y	C RESISTOR	2.2kΩ 1/4W J						
R205	QRE141J-104Y	C RESISTOR	100kΩ 1/4W J						
R206	QRE141J-113Y	C RESISTOR	11kΩ 1/4W J						
R207	QRE141J-912Y	C RESISTOR	9.1kΩ 1/4W J						
R208	QRE141J-273Y	C RESISTOR	27kΩ 1/4W J						
R210	QRE141J-103Y	C RESISTOR	10kΩ 1/4W J						
R216	QRE141J-102Y	C RESISTOR	1kΩ 1/4W J						
R221	QRE141J-153Y	C RESISTOR	15kΩ 1/4W J						

Packing materials and accessories parts list

Block No. M 3 M M



Packing and accessories

Block No. [M][3][M][M]

△ Symbol No.	Part No.	Part Name	Description	Local
A 1	QAL0014-001	AM LOOP ANT		
A 2	QAL0457-001	ANT.WIRE		
A 3	GVT0115-008B	INST BOOK	ENG	P30B
A 3	GVT0115-006B	INST.BOOK	GER FRA DUT	P30E
A 3	GVT0115-007A	INST.BOOK	SWE FIN DAN GER FRE SPA ITA N	P30E
A 4	BT-54013-5	WARRANTY CARD		P30B, P30E
A 4	BT-54013-6	WARRANTY CARD		P30E N
A 5	VNA3000-204	REGISTER CARD		P30B
A 6	RM-SUXP3R	REMOCON		
A 7	-----	BATTERY	(x2)	
A 8	UXP30E-SPBOX	SPEAKER BOX	(x2)	
P 1	QPC02503515P	POLY BAG	25cm x 35cm	
P 2	GV20245-001A	CARTON		
P 3	GV10152-001A	CUSHION UPPER		
P 4	GV10153-001A	CUSHION BOTTOM		
P 5	QPC05006515P	POLY BAG	50cm x 65cm	
P 6	GV40168-008A	SHEET		P30B, P30E
P 6	GV40168-005A	SHEET		P30E N
P 7	IVA802300-0015	POLY BAG	(x2)	
P 8	ITF830298-0001	TOP POLYFOAM		
P 9	ITF830298-0002	BOTTOM POLYFOAM		
P 10	IVH802001-0042	MIRAMAT SHEET	(x2)	