

# PARTS LIST

UX-G357E,UX-G357EN,UX-G357EV  
 UX-G355B,UX-G355E,UX-G355EN  
 UX-G355EV,UX-G355A,UX-G355US  
 UX-G355UB,UX-G355UW

MODEL	MARK	MODEL	MARK	MODEL	MARK
UX-G357E	A	UX-G357EN	B	UX-G357EV	C
UX-G355B	D	UX-G355E	E	UX-G355EN	F
UX-G355EV	G	UX-G355A	H	UX-G355US	I
UX-G355UB	J	UX-G355UW	K		

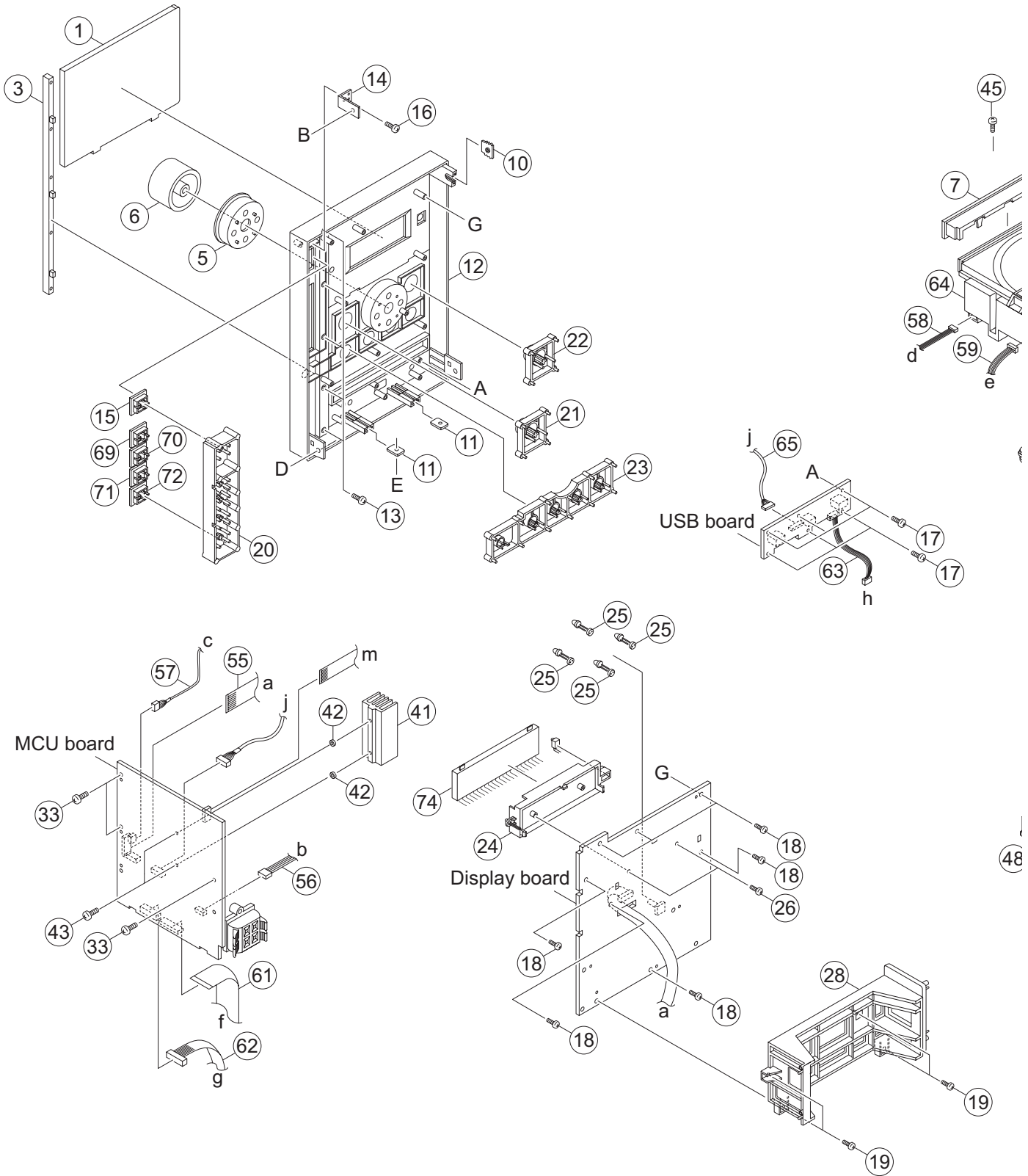
\* All printed circuit boards and its assemblies are not available as service parts.

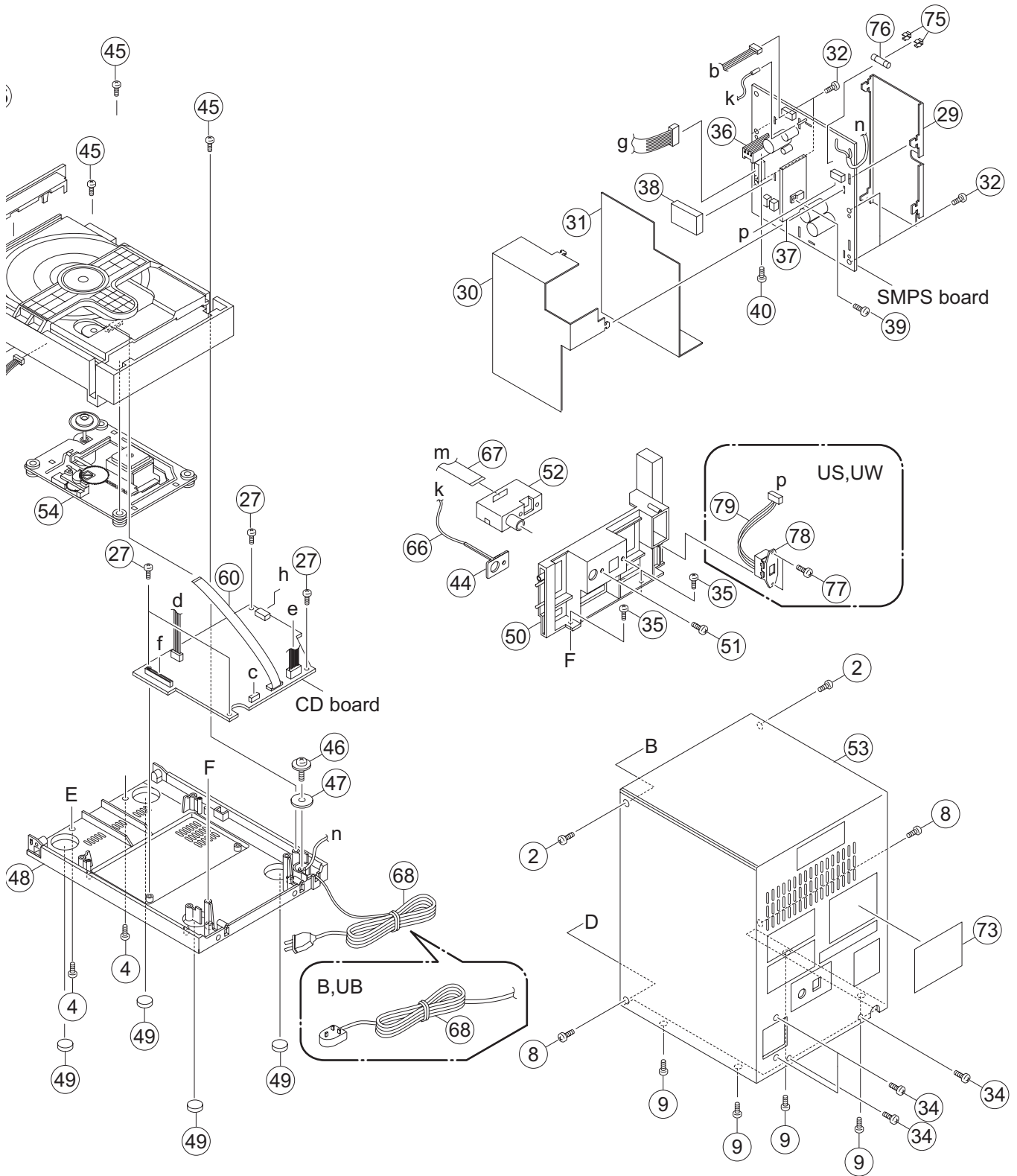
- Contents -

Exploded view of general assembly and parts list (Block No.M1) ..... 3- 2  
 Electrical parts list (Block No.01~04) ..... 3- 6  
 Packing materials and accessories parts list (Block No.M3) ..... 3-14

# Exploded view of general assembly and parts list

Block No. M 1 M M





The parts without symbol number are not service.

# General Assembly

Block No. [M][1][M][M]

△	Symbol No.	Part No.	Part Name	Description	Local
	1	CD5501081600100	DISPLAY LENS	5501-081600100	A,B,C
	1	CD5501081000100	DISPLAY LENS	5501-081000100	D,E,F,G,H,I,J,K
	2	CD6024230080200	SCREW	6024-230080200 (x2)	A,B,C
	2	CD6024230080100	SCREW	6024-230080100 (x2)	D,E,F,G,H,I,J,K
	3	CD5913081000100	COSMETIC FRAME	5913-081000100	
	4	CD6024230080200	SCREW	6024-230080200 (x2)	A,B,C
	4	CD6024230080100	SCREW	6024-230080100 (x2)	D,E,F,G,H,I,J,K
	5	CD5905081000100	RING	5905-081000100	
	6	CD5307081000100	VOLUME KNOB	5307-081000100	
	7	CD5201081600100	CD DOOR	5201-081600100	A,B,C
	7	CD5201081000100	CD DOOR	5201-081000100	D,E,F,G,H,I,J,K
	8	CD6014230100200	SCREW	6014-230100200 (x2)	A,B,C
	8	CD6014230100110	SCREW	6014-230100110 (x2)	D,E,F,G,H,I,J,K
	9	CD6014230100200	SCREW	6014-230100200 (x4)	A,B,C
	9	CD6014230100110	SCREW	6014-230100110 (x4)	D,E,F,G,H,I,J,K
	10	CD6211080700100	PANEL FIXING PLATE	6211-080700100	
	11	CD6211080700100	PANEL FIXING PLATE	6211-080700100 (x2)	
	12	CD5001081600100	FRONT CABINET	5001-081600100	A,B,C
	12	CD5001081000100	FRONT CABINET	5001-081000100	D,E,F,G
	12	CD5001081000200	FRONT CABINET	5001-081000200	H,I,J,K
	13	CD6013217060100	SCREW	6013-217060100 (x5)	
	14	CD6303081000100	CONNECTOR BRACKET	6303-081000100	
	14	or CD6303081000200	CONNECTOR BRACKET	6303-081000200	I,K
	15	CD5408081600100	POWER BUTTON	5408-081600100	A,B,C
	15	CD5408081000100	POWER BUTTON	5408-081000100	D,E,F,G,H,I,J,K
	16	CD6011226080100	SCREW	6011-226080100	
	17	CD6011226080100	SCREW	6011-226080100 (x6)	
	18	CD6011226080100	SCREW	6011-226080100 (x7)	
	19	CD6011226080100	SCREW	6011-226080100 (x4)	
	20	CD5618081000100	BUTTON BRACKET	5618-081000100	
	21	CD5413081600100	SOUND BUTTON	5413-081600100	A,B,C
	21	CD5413081000100	SOUND BUTTON	5413-081000100	D,E,F,G,H,I,J,K
	22	CD5401081600100	ECO BUTTON	5401-081600100	A,B,C
	22	CD5401081000100	ECO BUTTON	5401-081000100	D,E,F,G,H,I,J,K
	23	CD5403081600100	CONTROL BUTTON	5403-081600100	A,B,C
	23	CD5403081000200	CONTROL BUTTON	5403-081000200	D,E,F,G,H,I,J,K
	24	CD5601081000100	VFD BRACKET	5601-081000100	
	25	CD5601081000200	LED BRACKET	5601-081000200 (x4)	
	26	CD6011226060100	SCREW	6011-226060100 (x2)	
	27	CD6011226060100	SCREW	6011-226060100 (x4)	
	28	CD5607081000100	PCB BRACKET	5607-081000100	A,B,C,D,E,F,G
	28	CD5607081000200	PCB BRACKET	5607-081000200	H
	28	CD5607081000101	PCB BRACKET	5607-081000101	I,J,K
	29	CD6210081200200	PC CUT SHEET	6210-081200200	
	30	CD6204081000100	SHIELDING TOP	6204-081000100	A,B,C,D,E,F,G
	30	CD6204081000101	SHIELDING TOP	6204-081000101	H,I,J,K
	31	CD6210081000200	PC CUT SHEET	6210-081000200	
	31	or CD6210081000300	PC CUT SHEET	6210-081000300	I,K
	32	CD6013230100200	SCREW	6013-230100200 (x4)	A,B,C
	32	CD6013230100120	SCREW	6013-230100120 (x4)	D,E,F,G,H,I,J,K
	33	CD6013230100200	SCREW	6013-230100200 (x3)	A,B,C
	33	CD6013230100120	SCREW	6013-230100120 (x3)	D,E,F,G,H,I,J,K
	34	CD6013230100200	SCREW	6013-230100200 (x4)	A,B,C
	34	CD6013230100120	SCREW	6013-230100120 (x4)	D,E,F,G,H,I,J,K
	35	CD6013230100200	SCREW	6013-230100200 (x2)	A,B,C
	35	CD6013230100120	SCREW	6013-230100120 (x2)	D,E,F,G,H,I,J,K
	36	CD6600061000200	HEAT SINK A	6600-061000200	
	37	CD6600081000200	HEAT SINK	6600-081000200	
	38	CD6406081000100	EVA	6406-081000100	
	39	CD6013230060300	SCREW	6013-230060300	
	40	CD6013230060300	SCREW	6013-230060300	
	41	CD6600081000100	HEAT SINK	6600-081000100	
	42	CD5939081000100	PLASTIC WASHER	5939-081000100 (x2)	
	43	CD6023230100300	SCREW	6023-230100300 (x2)	
	44	CD6217081000100	GROUND PLATE	6217-081000100	
	45	CD6013230120100	SCREW	6013-230120100 (x4)	
	46	CD6012226100110	SCREW	6012-226100110	
	47	CD8024000000100	FIBRE WASHER	8024-000000100	
	48	CD5002081000200	BOTTOM CABINET	5002-081000200	
	49	CD6404081100200	SILICON FOOT	6404-081100200 (x4)	
	50	CD5624081000100	PCB BRACKET	5624-081000100	A,B,C,D,E,F,G,I,J,K
	50	CD5624081000200	PCB BRACKET	5624-081000200	H
	51	CD6034226060100	SCREW	6034-226060100 (x2)	
	52	CD3801000000350	FM TUNER MODULE	3801-000000350	A,B,C,E,F,G

△	Symbol No.	Part No.	Part Name	Description	Local
	52	CD3801000000370	AM/FM TUNER MODULE	3801-000000370	D
	52	CD3801000000360	AM/FM TUNER MODULE	3801-000000360	H,I,J,K
	53	CD5002081000400	REAR CABINET	5002-081000400	A,B,C,E,F,G
	53	CD5002081000300	REAR CABINET	5002-081000300	D,H,J
	53	CD5002081000101	REAR CABINET	5002-081000101	I,K
	54	CD4401120001120	CD MECHANISM	4401-120001120	
	55	CD3002160150900	FFC CABLE	3002-160150900	
	56	CD3505040252500	HOUSING	3505-040252500	
	57	CD3505030252000	SHIELD WIRE	3505-030252000	
	58	CD3502050152010	HOUSING	3502-050152010	
	59	CD3502060252000	HOUSING	3502-060252000	
	60	CD3002160105900	FFC CABLE	3002-160105900	
	61	CD3002200090910	FFC CABLE	3002-200090910	
	62	CD3505090252000	HOUSING	3505-090252000	
	63	CD3505030332000	HOUSING	3505-030332000	
	64	CD8949050900200	CD MECHANISM LOADER	8949-050900200	
	65	CD3505070362020	SHIELD WIRE	3505-070362020	
	66	CD3001000150130	WIRE	3001-000150130	A,B,C,D,E,F,G
	66	CD3001000180130	WIRE	3001-000180130	H,I,J,K
	67	CD3002100120920	FFC CABLE	3002-100120920	
△	68	CD2902223007000	AC CORD BS	2902-223007000	A,B,C,E,F,G,I,K
△	68	or CD2902123007040	AC CORD BS	2902-123007040	A,B,C,E,F,G,I,K
△	68	or CD2902225007040	AC CORD BS	2902-225007040	A,B,C,E,F,G,I,K
△	68	or CD2902125007210	AC CORD BS	2902-125007210	A,B,C,E,F,G,I,K
△	68	or CD2902225007060	AC CORD BS	2902-225007060	A,B,C,E,F,G,I,K
△	68	CD2905123007000	AC CORD BS	2905-123007000	D,J
△	68	or CD2905225007070	AC CORD BS	2905-225007070	D
△	68	CD2904225007000	AC CORD	2904-225007000	H
	69	CD5416081600200	CD BUTTON	5416-081600200	A,B,C
	69	CD5404081000100	CD BUTTON	5404-081000100	D,E,F,G,H,I,J,K
	70	CD5416081600300	USB BUTTON	5416-081600300	A,B,C
	70	CD5416081000100	USB BUTTON	5416-081000100	D,E,F,G,H,I,J,K
	71	CD5416081600100	TUNER BUTTON	5416-081600100	A,B,C
	71	CD5403081000100	TUNER BUTTON	5403-081000100	D,E,F,G,H,I,J,K
	72	CD5424081600100	AUDIO BUTTON	5424-081600100	A,B,C
	72	CD5424081000100	AUDIO BUTTON	5424-081000100	D,E,F,G,H,I,J,K
	73	CD7111081000100	RATING LABEL	7111-081000100	A,B,C,D,E,F,G
	73	CD7111081001000	RATING LABEL	7111-081001000	H
	73	CD7111081000700	RATING LABEL	7111-081000700	I,K
	73	CD7111081001300	RATING LABEL	7111-081001300	J
	74	CD2401000000070	VFD	2401-000000070	
	75	CD6304041500100	FUSE HOLDER	6304-041500100 (x2)	
△	76	CD2001250250120	FUSE	2001-250250120	
△	76	or CD2001250250100	FUSE	2001-250250100	A,B,C,D,E,F,G
	77	CD6011226080100	SCREW	6011-226080100 (x2)	I,K
	78	CD3307020200010	VOLTAGE SELECTOR SWITCH	3307-020200010	I,K
	79	CD3501020083900	HOUSING	3501-020083900	I,K

# Electrical parts list

## MCU board

Block No. [0][1]

△ Symbol No.	Part No.	Part Name	Description	Local
IC201	CD1506780514000	IC	1506-780514000	A,B,C,D,E,F,G
IC201	CD1506780515000	IC	1506-780515000	H,I,J,K
IC202	CD1511002402050	IC	1511-002402050	
IC202	or CD1511002402030	IC	1511-002402030	A,B,C,D,E,F,G
IC202	or CD1511002402020	IC	1511-002402020	A,B,C,D,E,F,G
IC202	or CD1511002402040	IC	1511-002402040	A,B,C,D,E,F,G
IC202	or CD1511002402060	IC	1511-002402060	A,B,C,D,E,F,G
IC204	CD1502002314010	IC	1502-002314010	
IC205	CD1502004453000	IC	1502-004453000	
IC212	CD1502007492010	IC	1502-007492010	
IC212	or CD1502007492000	IC	1502-007492000	A,B,C,D,E,F,G
IC214	CD1507007404030	IC	1507-007404030	A,B,C,D,E,F,G
Q1	CD1421085500000	TRANSISTOR	1421-085500000	
Q1	or CD1421385500000	TRANSISTOR	1421-385500000	A,B,C,D,E,F,G
Q1	or CD1421085500010	TRANSISTOR	1421-085500010	A,B,C,D,E,F,G
Q201	CD1422080500020	TRANSISTOR	1422-080500020	
Q201	or CD1422080500030	TRANSISTOR	1422-080500030	A,B,C,D,E,F,G
Q201	or CD1422080500050	TRANSISTOR	1422-080500050	A,B,C,D,E,F,G
Q202	CD1411385500000	TRANSISTOR	1411-385500000	
Q202	or CD1411085500000	TRANSISTOR	1411-085500000	A,B,C,D,E,F,G
Q203	CD1422080500020	TRANSISTOR	1422-080500020	
Q203	or CD1422080500030	TRANSISTOR	1422-080500030	A,B,C,D,E,F,G
Q203	or CD1422080500050	TRANSISTOR	1422-080500050	A,B,C,D,E,F,G
Q204	CD1422080500020	TRANSISTOR	1422-080500020	
Q204	or CD1422080500030	TRANSISTOR	1422-080500030	A,B,C,D,E,F,G
Q204	or CD1422080500050	TRANSISTOR	1422-080500050	A,B,C,D,E,F,G
Q205	CD1424023010020	MOS FET	1424-023010020	
Q206	CD1422080500020	TRANSISTOR	1422-080500020	
Q206	or CD1422080500030	TRANSISTOR	1422-080500030	A,B,C,D,E,F,G
Q206	or CD1422080500050	TRANSISTOR	1422-080500050	A,B,C,D,E,F,G
Q207	CD1412080500000	TRANSISTOR	1412-080500000	
Q212	CD1412080500000	TRANSISTOR	1412-080500000	
Q213	CD1422080500020	TRANSISTOR	1422-080500020	A,B,C,D,E,F,G
Q213	or CD1422080500030	TRANSISTOR	1422-080500030	A,B,C,D,E,F,G
Q213	or CD1422080500050	TRANSISTOR	1422-080500050	A,B,C,D,E,F,G
Q213	CD1424230180010	MOS FET	1424-230180010	H,I,J,K
Q214	CD1422080500000	TRANSISTOR	1421-085500000	A,B,C,D,E,F,G
Q214	or CD1421385500000	TRANSISTOR	1421-385500000	A,B,C,D,E,F,G
Q214	or CD1421085500010	TRANSISTOR	1421-085500010	A,B,C,D,E,F,G
Q217	CD1422080500020	TRANSISTOR	1422-080500020	
Q217	or CD1422080500030	TRANSISTOR	1422-080500030	A,B,C,D,E,F,G
Q217	or CD1422080500050	TRANSISTOR	1422-080500050	A,B,C,D,E,F,G
Q218	CD1422080500020	TRANSISTOR	1422-080500020	
Q218	or CD1422080500030	TRANSISTOR	1422-080500030	A,B,C,D,E,F,G
Q218	or CD1422080500050	TRANSISTOR	1422-080500050	A,B,C,D,E,F,G
Q219	CD1422080500020	TRANSISTOR	1422-080500020	
Q219	or CD1422080500030	TRANSISTOR	1422-080500030	A,B,C,D,E,F,G
Q219	or CD1422080500050	TRANSISTOR	1422-080500050	A,B,C,D,E,F,G
D1	CD1321041480020	DIODE	1321-041480020	A,B,C,D,E,F,G
D1	or CD1321041480010	SWITCH DIODE	1321-041480010	A,B,C,D,E,F,G
D1	CD1321041480040	DIODE	1321-041480040	H,I,J,K
D2	CD1321041480020	DIODE	1321-041480020	A,B,C,D,E,F,G
D2	or CD1321041480010	SWITCH DIODE	1321-041480010	A,B,C,D,E,F,G
D2	CD1321041480040	DIODE	1321-041480040	H,I,J,K
D3	CD1321041480040	DIODE	1321-041480040	H,I,J,K
D6	CD1321041480020	DIODE	1321-041480020	A,B,C,D,E,F,G
D6	or CD1321041480010	SWITCH DIODE	1321-041480010	A,B,C,D,E,F,G
D6	CD1321041480040	DIODE	1321-041480040	H,I,J,K
D7	CD1321041480020	DIODE	1321-041480020	A,B,C,D,E,F,G
D7	or CD1321041480010	SWITCH DIODE	1321-041480010	A,B,C,D,E,F,G
D7	CD1321041480040	DIODE	1321-041480040	H,I,J,K
D201	CD1321041480020	DIODE	1321-041480020	A,B,C,D,E,F,G
D201	or CD1321041480010	SWITCH DIODE	1321-041480010	A,B,C,D,E,F,G
D201	CD1321041480040	DIODE	1321-041480040	H,I,J,K
D202	CD1321041480020	DIODE	1321-041480020	A,B,C,D,E,F,G
D202	or CD1321041480010	SWITCH DIODE	1321-041480010	A,B,C,D,E,F,G
D202	CD1321041480040	DIODE	1321-041480040	H,I,J,K
D203	CD1321041480020	DIODE	1321-041480020	A,B,C,D,E,F,G
D203	or CD1321041480010	SWITCH DIODE	1321-041480010	A,B,C,D,E,F,G
D203	CD1321041480040	DIODE	1321-041480040	H,I,J,K

△ Symbol No.	Part No.	Part Name	Description	Local
D206	CD1321041480020	DIODE	1321-041480020	A,B,C,D,E,F,G
D206	or CD1321041480010	SWITCH DIODE	1321-041480010	A,B,C,D,E,F,G
D206	CD1321041480040	DIODE	1321-041480040	H,I,J,K
C1	CD1121103082020	C CAPACITOR	1121-103082020	
C2	CD1132107043060	E CAPACITOR	1132-107043060	A,B,C,D,E,F,G
C2	CD1132225083060	E CAPACITOR	1132-225083060	H,I,J,K
C3	CD1121103082020	C CAPACITOR	1121-103082020	
C4	CD1132107053060	E CAPACITOR	1132-107053060	A,B,C,D,E,F,G
C5	CD1121102082020	C CAPACITOR	1121-102082020	
C6	CD1121102082020	C CAPACITOR	1121-102082020	
C9	CD1138474091210	M CAPACITOR	1138-474091210	
C10	CD1121105051020	C CAPACITOR	1121-105051020	
C11	CD1121104082020	C CAPACITOR	1121-104082020	
C16	CD1121103082020	C CAPACITOR	1121-103082020	
C17	CD1121103082020	C CAPACITOR	1121-103082020	
C18	CD1121103082020	C CAPACITOR	1121-103082020	
C19	CD1121103082020	C CAPACITOR	1121-103082020	
C20	CD1121224084020	C CAPACITOR	1121-224084020	H,I,J,K
C21	CD1121224084020	C CAPACITOR	1121-224084020	H,I,J,K
C22	CD1121224084020	C CAPACITOR	1121-224084020	H,I,J,K
C23	CD1121224084020	C CAPACITOR	1121-224084020	H,I,J,K
C7B	CD1121104082020	C CAPACITOR	1121-104082020	
C8B	CD1121104082020	C CAPACITOR	1121-104082020	
C201	CD1121102082020	C CAPACITOR	1121-102082020	
C202	CD1121471081020	C CAPACITOR	1121-471081020	A,B,C,D,E,F,G
C202	CD1221000062020	C RESISTOR	1221-000062020	H,I,J,K
C203	CD1121330081020	C CAPACITOR	1121-330081020	A,B,C,D,E,F,G
C204	CD1121104082020	C CAPACITOR	1121-104082020	A,B,C,D,E,F,G
C206	CD1121101081020	C CAPACITOR	1121-101081020	A,B,C,D,E,F,G
C207	CD1121101081020	C CAPACITOR	1121-101081020	A,B,C,D,E,F,G
C207	CD1221304062020	C RESISTOR	1221-304062020	H,I,J,K
C208	CD1121101081020	C CAPACITOR	1121-101081020	A,B,C,D,E,F,G
C208	CD1221000062020	C RESISTOR	1221-000062020	H,I,J,K
C209	CD1121101081020	C CAPACITOR	1121-101081020	A,B,C,D,E,F,G
C210	CD1121104082020	C CAPACITOR	1121-104082020	
C220	CD1121104082020	C CAPACITOR	1121-104082020	
C221	CD1121104082020	C CAPACITOR	1121-104082020	
C222	CD1121104082020	C CAPACITOR	1121-104082020	
C223	CD1121105051020	C CAPACITOR	1121-105051020	
C224	CD1121105051020	C CAPACITOR	1121-105051020	
C225	CD1132225083060	E CAPACITOR	1132-225083060	
C226	CD1121104082020	C CAPACITOR	1121-104082020	
C227	CD1121104082020	C CAPACITOR	1121-104082020	
C228	CD1121104082020	C CAPACITOR	1121-104082020	
C229	CD1132228073271	E CAPACITOR	1132-228073271	A,B,C,D,E,F,G
C229	CD1132158073271	E CAPACITOR	1132-158073271	H,I,J,K
C230	CD1121331081020	C CAPACITOR	1121-331081020	
C231	CD1138474091210	M CAPACITOR	1138-474091210	
C232	CD1121104082020	C CAPACITOR	1121-104082020	A,B,C,D,E,F,G
C232	CD1121224084020	C CAPACITOR	1121-224084020	H,I,J,K
C233	CD1121104082020	C CAPACITOR	1121-104082020	A,B,C,D,E,F,G
C233	CD1121224084020	C CAPACITOR	1121-224084020	H,I,J,K
C234	CD1138474091210	M CAPACITOR	1138-474091210	
C235	CD1121104082020	C CAPACITOR	1121-104082020	A,B,C,D,E,F,G
C235	CD1121224084020	C CAPACITOR	1121-224084020	H,I,J,K
C236	CD1121104082020	C CAPACITOR	1121-104082020	A,B,C,D,E,F,G
C236	CD1121224084020	C CAPACITOR	1121-224084020	H,I,J,K
C237	CD1121474084020	C CAPACITOR	1121-474084020	
C238	CD1121474084020	C CAPACITOR	1121-474084020	
C239	CD1121104082020	C CAPACITOR	1121-104082020	
C240	CD1121474084020	C CAPACITOR	1121-474084020	
C241	CD1121681081020	C CAPACITOR	1121-681081020	
C242	CD1121681081020	C CAPACITOR	1121-681081020	
C243	CD1121474084020	C CAPACITOR	1121-474084020	
C244	CD1121104082020	C CAPACITOR	1121-104082020	H,I,J,K
C245	CD1121105051020	C CAPACITOR	1121-105051020	
C246	CD1121105051020	C CAPACITOR	1121-105051020	
C247	CD1121104082020	C CAPACITOR	1121-104082020	
C256	CD1121104082020	C CAPACITOR	1121-104082020	
C257	CD1132227053320	E CAPACITOR	1132-227053320	
C258	CD1132227053320	E CAPACITOR	1132-227053320	
C260	CD1121104082020	C CAPACITOR	1121-104082020	
C262	CD1121105051020	C CAPACITOR	1121-105051020	
C264	CD1121105051020	C CAPACITOR	1121-105051020	
C265	CD1132476053050	E CAPACITOR	1132-476053050	

△ Symbol No.	Part No.	Part Name	Description	Local	△ Symbol No.	Part No.	Part Name	Description	Local
C266	CD1132227053320	E CAPACITOR	1132-227053320		R215	CD1221242062020	C RESISTOR	1221-242062020	
C267	CD1132476053050	E CAPACITOR	1132-476053050		R216	CD1221242062020	C RESISTOR	1221-242062020	
C268	CD1121105051020	C CAPACITOR	1121-105051020		R217	CD1221242062020	C RESISTOR	1221-242062020	
C269	CD1121105051020	C CAPACITOR	1121-105051020		R218	CD1221242062020	C RESISTOR	1221-242062020	
C270	CD1121104082020	C CAPACITOR	1121-104082020		R223	CD1221392062020	C RESISTOR	1221-392062020	
C271	CD1132107053060	E CAPACITOR	1132-107053060		R227	CD1221562062020	C RESISTOR	1221-562062020	
C272	CD1132476053060	E CAPACITOR	1132-476053060		R228	CD1221562062020	C RESISTOR	1221-562062020	
C273	CD1138272092230	M CAPACITOR	1138-272092230		R229	CD1221562062020	C RESISTOR	1221-562062020	
C274	CD1138272092230	M CAPACITOR	1138-272092230		R230	CD1221561062020	C RESISTOR	1221-561062020	
C275	CD1118104084370	M CAPACITOR	1118-104084370		R231	CD1221561062020	C RESISTOR	1221-561062020	
C276	CD1132225083060	E CAPACITOR	1132-225083060		R232	CD1221473062020	C RESISTOR	1221-473062020	
C277	CD1118104084370	M CAPACITOR	1118-104084370		R233	CD1221104062020	C RESISTOR	1221-104062020	
C278	CD1121105051020	C CAPACITOR	1121-105051020		R234	CD1221103062020	C RESISTOR	1221-103062020	
C279	CD1121105051020	C CAPACITOR	1121-105051020		R235	CD1221103062020	C RESISTOR	1221-103062020	
C280	CD1121105051020	C CAPACITOR	1121-105051020		R236	CD1221103062020	C RESISTOR	1221-103062020	
C281	CD1132106053060	E CAPACITOR	1132-106053060		R238	CD1221473062020	C RESISTOR	1221-473062020	
C282	CD1132106053060	E CAPACITOR	1132-106053060		R240	CD1221473062020	C RESISTOR	1221-473062020	
C283	CD1132226053060	E CAPACITOR	1132-226053060		R241	CD1221821061020	C RESISTOR	1221-821061020	
C284	CD1121102082020	C CAPACITOR	1121-102082020		R242	CD1221473062020	C RESISTOR	1221-473062020	
C285	CD1121102082020	C CAPACITOR	1121-102082020		R243	CD1221103062020	C RESISTOR	1221-103062020	
C286	CD1121105051020	C CAPACITOR	1121-105051020		R244	CD1221222062020	C RESISTOR	1221-222062020	
C291	CD1118104084370	M CAPACITOR	1118-104084370		R245	CD1221222062020	C RESISTOR	1221-222062020	
C292	CD1118104084370	M CAPACITOR	1118-104084370		R246	CD1221103062020	C RESISTOR	1221-103062020	
C293	CD1118104084370	M CAPACITOR	1118-104084370		R247	CD1221182062020	C RESISTOR	1221-182062020	
C294	CD1118104084370	M CAPACITOR	1118-104084370		R248	CD1221182062020	C RESISTOR	1221-182062020	
C295	CD1132225083060	E CAPACITOR	1132-225083060		R250	CD1221562062020	C RESISTOR	1221-562062020	
C296	CD1121331081020	C CAPACITOR	1121-331081020		R251	CD1221562062020	C RESISTOR	1221-562062020	
C301	CD1121104082020	C CAPACITOR	1121-104082020		R255	CD1221332062020	C RESISTOR	1221-332062020	
C302	CD1132107053710	E CAPACITOR	1132-107053710		R256	CD1221102062020	C RESISTOR	1221-102062020	
C303	CD1121104082020	C CAPACITOR	1121-104082020		R257	CD1221392062020	C RESISTOR	1221-392062020	
C304	CD1132107053710	E CAPACITOR	1132-107053710		R286	CD1221105062020	C RESISTOR	1221-105062020	
C306	CD1121104082020	C CAPACITOR	1121-104082020		R300	CD1221102062020	C RESISTOR	1221-102062020	
C307	CD1121104082020	C CAPACITOR	1121-104082020		R301	CD1221152062020	C RESISTOR	1221-152062020	
C308	CD1132107053710	E CAPACITOR	1132-107053710		R302	CD1221152062020	C RESISTOR	1221-152062020	
C309	CD1132475053030	E CAPACITOR	1132-475053030		R303	CD1221000062020	C RESISTOR	1221-000062020	
C310	CD1121104082020	C CAPACITOR	1121-104082020		R304	CD1221000062020	C RESISTOR	1221-000062020	
C311	CD1121240081020	C CAPACITOR	1121-240081020		R305	CD1221101062020	C RESISTOR	1221-101062020	
C312	CD1121240081020	C CAPACITOR	1121-240081020		R306	CD1221472062020	C RESISTOR	1221-472062020	
C313	CD1121104082020	C CAPACITOR	1121-104082020		R307	CD1221472062020	C RESISTOR	1221-472062020	
C314	CD1132107053060	E CAPACITOR	1132-107053060		R308	CD1221472062020	C RESISTOR	1221-472062020	
C315	CD1132107053710	E CAPACITOR	1132-107053710		R309	CD1221472062020	C RESISTOR	1221-472062020	
C316	CD1121104082020	C CAPACITOR	1121-104082020		R310	CD1221101062020	C RESISTOR	1221-101062020	
C317	CD1121104082020	C CAPACITOR	1121-104082020		R311	CD1221101062020	C RESISTOR	1221-101062020	
C318	CD1121101081020	C CAPACITOR	1121-101081020		R312	CD1221102062020	C RESISTOR	1221-102062020	
C319	CD1121104082020	C CAPACITOR	1121-104082020		R313	CD1221102062020	C RESISTOR	1221-102062020	
C320	CD1121104082020	C CAPACITOR	1121-104082020		R314	CD1221102062020	C RESISTOR	1221-102062020	
C325	CD1121681081020	C CAPACITOR	1121-681081020		R315	CD1221102062020	C RESISTOR	1221-102062020	
C326	CD1121681081020	C CAPACITOR	1121-681081020		R316	CD1221102062020	C RESISTOR	1221-102062020	
C327	CD1132475083060	E CAPACITOR	1132-475083060		R317	CD1221102062020	C RESISTOR	1221-102062020	
C328	CD1132475083060	E CAPACITOR	1132-475083060		R318	CD1221102062020	C RESISTOR	1221-102062020	
C332	CD1121105051020	C CAPACITOR	1121-105051020		R320	CD1221223062020	C RESISTOR	1221-223062020	
C336	CD1121105051020	C CAPACITOR	1121-105051020		R321	CD1221472062020	C RESISTOR	1221-472062020	
C339	CD1121104082020	C CAPACITOR	1121-104082020		R322	CD1221223062020	C RESISTOR	1221-223062020	
					R323	CD1221102062020	C RESISTOR	1221-102062020	
R1	CD1221000062020	C RESISTOR	1221-000062020		R324	CD1221103062020	C RESISTOR	1221-103062020	
R2	CD1221000062020	C RESISTOR	1221-000062020		R325	CD1221473062020	C RESISTOR	1221-473062020	
R4	CD1221472062020	C RESISTOR	1221-472062020		R326	CD1221103062020	C RESISTOR	1221-103062020	
R5	CD1221103062020	C RESISTOR	1221-103062020		R327	CD1221472062020	C RESISTOR	1221-472062020	
R9	CD1221563062020	C RESISTOR	1221-563062020	A,B,C,D,E,F,G	R328	CD1221473062020	C RESISTOR	1221-473062020	
R10	CD1221563062020	C RESISTOR	1221-563062020	A,B,C,D,E,F,G	R329	CD1221105062020	C RESISTOR	1221-105062020	
R11	CD1221333062020	C RESISTOR	1221-333062020	A,B,C,D,E,F,G	R330	CD1221102062020	C RESISTOR	1221-102062020	
R12	CD1221333062020	C RESISTOR	1221-333062020	A,B,C,D,E,F,G	R331	CD1221220062020	C RESISTOR	1221-220062020	
R13	CD1221102062020	C RESISTOR	1221-102062020		R332	CD1221220062020	C RESISTOR	1221-220062020	
R14	CD1221102062020	C RESISTOR	1221-102062020		R333	CD1221220062020	C RESISTOR	1221-220062020	
R15	CD1221102062020	C RESISTOR	1221-102062020		R334	CD1221220062020	C RESISTOR	1221-220062020	
R26	CD1221101062020	C RESISTOR	1221-101062020		R335	CD1221220062020	C RESISTOR	1221-220062020	
R27	CD1221224062020	C RESISTOR	1221-224062020	H,I,J,K	R336	CD1221102062020	C RESISTOR	1221-102062020	
R28	CD1221000062020	C RESISTOR	1221-000062020	H,I,J,K	R337	CD1221102062020	C RESISTOR	1221-102062020	
R29	CD1221000062020	C RESISTOR	1221-000062020	H,I,J,K	R338	CD1221000062020	C RESISTOR	1221-000062020	
R30	CD1221000062020	C RESISTOR	1221-000062020	H,I,J,K	R339	CD1221000062020	C RESISTOR	1221-000062020	
R200	CD1221101062020	C RESISTOR	1221-101062020		R355	CD1221000062020	C RESISTOR	1221-000062020	
R201	CD1221562062020	C RESISTOR	1221-562062020		R356	CD1221000062020	C RESISTOR	1221-000062020	
R202	CD1221562062020	C RESISTOR	1221-562062020		R358	CD1231121012000	RESISTOR	1231-121012000	
R203	CD1221562062020	C RESISTOR	1221-562062020		R359	CD1221223062020	C RESISTOR	1221-223062020	
R210	CD1221242062020	C RESISTOR	1221-242062020		R360	CD1221472062020	C RESISTOR	1221-472062020	
R212	CD1221242062020	C RESISTOR	1221-242062020		R361	CD1221472062020	C RESISTOR	1221-472062020	
R213	CD1221242062020	C RESISTOR	1221-242062020		R362	CD1221103062020	C RESISTOR	1221-103062020	
R214	CD1221242062020	C RESISTOR	1221-242062020		R363	CD1221102062020	C RESISTOR	1221-102062020	

△ Symbol No.	Part No.	Part Name	Description	Local
R364	CD1221102062020	C RESISTOR	1221-102062020	
R365	CD1221102062020	C RESISTOR	1221-102062020	
R366	CD1221103062020	C RESISTOR	1221-103062020	
R367	CD1221102062020	C RESISTOR	1221-102062020	
R368	CD1221103062020	C RESISTOR	1221-103062020	
R369	CD1221103062020	C RESISTOR	1221-103062020	
R370	CD1221223062020	C RESISTOR	1221-223062020	
R373	CD1221102062020	C RESISTOR	1221-102062020	
R374	CD1221102062020	C RESISTOR	1221-102062020	
R375	CD1221103062020	C RESISTOR	1221-103062020	
R376	CD1221102062020	C RESISTOR	1221-102062020	
R377	CD1221102062020	C RESISTOR	1221-102062020	
R378	CD1221102062020	C RESISTOR	1221-102062020	
R379	CD1221102062020	C RESISTOR	1221-102062020	
R380	CD1221103062020	C RESISTOR	1221-103062020	
R381	CD1221102062020	C RESISTOR	1221-102062020	
R382	CD1221102062020	C RESISTOR	1221-102062020	
R383	CD1221000062020	C RESISTOR	1221-000062020	
R384	CD1221103062020	C RESISTOR	1221-103062020	
R385	CD1221103062020	C RESISTOR	1221-103062020	
R387	CD1221103062020	C RESISTOR	1221-103062020	
R388	CD1221103062020	C RESISTOR	1221-103062020	
R389	CD1221103062020	C RESISTOR	1221-103062020	A,B,C,D,E,F,G
R389	CD1221392062020	C RESISTOR	1221-392062020	H,I,J,K
R390	CD1221103062020	C RESISTOR	1221-103062020	A,B,C,D,E,F,G
R390	CD1221392062020	C RESISTOR	1221-392062020	H,I,J,K
R391	CD1221103062020	C RESISTOR	1221-103062020	
R392	CD1221223062020	C RESISTOR	1221-223062020	
R393	CD1221123062020	C RESISTOR	1221-123062020	
R394	CD1221682062020	C RESISTOR	1221-682062020	
R395	CD1221472062020	C RESISTOR	1221-472062020	
R396	CD1221103062020	C RESISTOR	1221-103062020	
R401	CD1221223062020	C RESISTOR	1221-223062020	
R402	CD1221223062020	C RESISTOR	1221-223062020	
R403	CD1221513062020	C RESISTOR	1221-513062020	
R404	CD1221513062020	C RESISTOR	1221-513062020	
R405	CD1221222062020	C RESISTOR	1221-222062020	
R406	CD1221222062020	C RESISTOR	1221-222062020	
R407	CD1221333062020	C RESISTOR	1221-333062020	
R408	CD1221333062020	C RESISTOR	1221-333062020	
R409	CD1221220062020	C RESISTOR	1221-220062020	
R410	CD1221105062020	C RESISTOR	1221-105062020	
R411	CD1221105062020	C RESISTOR	1221-105062020	
R412	CD1221105062020	C RESISTOR	1221-105062020	
R413	CD1221473062020	C RESISTOR	1221-473062020	H,I,J,K
R414	CD1221105062020	C RESISTOR	1221-105062020	
R415	CD1221000062020	C RESISTOR	1221-000062020	
R416	CD1221000062020	C RESISTOR	1221-000062020	
R417	CD1221220062020	C RESISTOR	1221-220062020	
R418	CD1221220062020	C RESISTOR	1221-220062020	
R419	CD1221104062020	C RESISTOR	1221-104062020	A,B,C,D,E,F,G
R419	CD1221102062020	C RESISTOR	1221-102062020	H,I,J,K
R420	CD1221104062020	C RESISTOR	1221-104062020	A,B,C,D,E,F,G
R421	CD1221682062020	C RESISTOR	1221-682062020	A,B,C,D,E,F,G
R422	CD1221105062020	C RESISTOR	1221-105062020	A,B,C,D,E,F,G
R423	CD1221103062020	C RESISTOR	1221-103062020	A,B,C,D,E,F,G
R424	CD1221000062020	C RESISTOR	1221-000062020	
R425	CD1221101062020	C RESISTOR	1221-101062020	A,B,C,D,E,F,G
R425	CD1221000062020	C RESISTOR	1221-000062020	H,I,J,K
R426	CD1221103062020	C RESISTOR	1221-103062020	A,B,C,D,E,F,G
R428	CD1221821061020	C RESISTOR	1221-821061020	A,B,C,D,E,F,G
R429	CD1221220062020	C RESISTOR	1221-220062020	A,B,C,D,E,F,G
R430	CD1221471062020	C RESISTOR	1221-471062020	
R431	CD1221102062020	C RESISTOR	1221-102062020	
R433	CD1221000062020	C RESISTOR	1221-000062020	
R434	CD1221220062020	C RESISTOR	1221-220062020	
R435	CD1221104062020	C RESISTOR	1221-104062020	
R436	CD1221332062020	C RESISTOR	1221-332062020	
R437	CD1221101062020	C RESISTOR	1221-101062020	
R440	CD1221000062020	C RESISTOR	1221-000062020	A,B,C,D,E,F,G
R441	CD1221000062020	C RESISTOR	1221-000062020	A,B,C,D,E,F,G
R443	CD1221000062020	C RESISTOR	1221-000062020	
R445	CD1221103062020	C RESISTOR	1221-103062020	
R446	CD1221103062020	C RESISTOR	1221-103062020	

△ Symbol No.	Part No.	Part Name	Description	Local
L1	or CD2105000000050	EMI FILTER BEAD	2105-000000050	A,B,C,D,E,F,G
L2	CD1608300025000	TORODIDAL COIL	1608-300025000	
L3	CD1608300025000	TORODIDAL COIL	1608-300025000	
L205	CD1614330010000	COIL	1614-330010000	
L206	CD1614330010000	COIL	1614-330010000	
L207	CD1614330010000	COIL	1614-330010000	
L208	CD1614330010000	COIL	1614-330010000	
L209	CD3005000000000	JUMP WIRE	3005-000000000	
L210	CD3005000000000	JUMP WIRE	3005-000000000	
L211	CD1604101350000	COIL	1604-101350000	
L212	CD1604101350000	COIL	1604-101350000	
L213	CD1604101350000	COIL	1604-101350000	
CN201	CD3106121021000	FFC CONNECTOR	3106-121021000	
CN202	CD3106101621020	FFC CONNECTOR	3106-101621020	
CN204	CD3101200821010	HEADER	3101-200821010	
CN207	CD3106122021000	FFC CONNECTOR	3106-122021000	
CN208	CD3101200321010	HEADER	3101-200321010	
CN210	CD3101200721000	HEADER	3101-200721000	
CN212	CD3401000000310	SP TERMINAL	3401-000000310	
EC1	CD1132106053060	E CAPACITOR	1132-106053060	
FB03	CD1221000062030	C RESISTOR	1221-000062030	
FB04	CD1221000062030	C RESISTOR	1221-000062030	
FB07	CD1221000062030	C RESISTOR	1221-000062030	
FB09	CD1221000062030	C RESISTOR	1221-000062030	
FB10	CD1221000062030	C RESISTOR	1221-000062030	
X201	CD1002006027900	CER. RESONATOR	1002-006027900	A,B,C,D,E,F,G
X202	CD1002007000900	CER. RESONATOR	1002-007000900	A,B,C,D,E,F,G
X203	CD1001000327130	CRYSTAL	1001-000327130	
Z201	CD1313000510000	Z DIODE	1313-000510000	
Z214	CD1313000910010	Z DIODE	1313-000910010	
Z215	CD1313079330020	Z DIODE	1313-079330020	
Z216	CD1313079330020	Z DIODE	1313-079330020	
Z217	CD1313000510000	Z DIODE	1313-000510000	A,B,C,D,E,F,G
Z218	CD1313079560020	Z DIODE	1313-079560020	
ZD1	CD1323001110000	Z DIODE	1323-001110000	

## CD board

Block No. [0][2]

△ Symbol No.	Part No.	Part Name	Description	Local
IC101	CD1512001117130	IC	1512-001117130	
IC102	CD1512001117080	IC	1512-001117080	
IC102	or CD1512001117010	IC	1512-001117010	A,B,C,D,E,F,G
IC103	CD1511981616030	IC	1511-981616030	
IC103	or CD1511811616020	IC	1511-811616020	A,B,C,D,E,F,G
IC103	or CD1511981616000	IC	1511-981616000	A,B,C,D,E,F,G
IC103	or CD1511811616010	IC	1511-811616010	A,B,C,D,E,F,G
IC103	or CD1511164161020	IC	1511-164161020	A,B,C,D,E,F,G
IC104	CD1513005888020	IC	1513-005888020	
IC104	or CD1513005888010	IC	1513-005888010	A,B,C,D,E,F,G
IC105	CD1511002540000	IC	1511-002540000	
IC106	CD1509008104020	IC	1509-008104020	
Q101	CD1422080500020	TRANSISTOR	1422-080500020	
Q101	or CD1422080500030	TRANSISTOR	1422-080500030	A,B,C,D,E,F,G
Q102	CD1421211320010	TRANSISTOR	1421-211320010	
Q103	CD1422080500020	TRANSISTOR	1422-080500020	
Q103	or CD1422080500030	TRANSISTOR	1422-080500030	A,B,C,D,E,F,G
Q104	CD1422080500020	TRANSISTOR	1422-080500020	
Q104	or CD1422080500030	TRANSISTOR	1422-080500030	A,B,C,D,E,F,G
Q105	CD1424023010020	MOS FET	1424-023010020	
Q106	CD1412080500000	TRANSISTOR	1412-080500000	
Q107	CD1412080500000	TRANSISTOR	1412-080500000	
Q108	CD1411385500000	TRANSISTOR	1411-385500000	
Q109	CD1411385500000	TRANSISTOR	1411-385500000	



Symbol No.	Part No.	Part Name	Description	Local	Symbol No.	Part No.	Part Name	Description	Local
D101	CD1311140010020	DIODE	1311-140010020	A,B,C,D,E,F,G	C168	CD1132477053220	E CAPACITOR	1132-477053220	
D101	CD1311140010040	DIODE	1311-140010040	H,I,J,K	C169	CD1121104082020	C CAPACITOR	1121-104082020	
D102	CD1321041480020	DIODE	1321-041480020	A,B,C,D,E,F,G	C170	CD1121104082020	C CAPACITOR	1121-104082020	
D102	or CD1321041480010	SWITCH DIODE	1321-041480010	A,B,C,D,E,F,G	C171	CD1121104082020	C CAPACITOR	1121-104082020	
D102	CD1321041480040	DIODE	1321-041480040	H,I,J,K	C172	CD1132106053060	E CAPACITOR	1132-106053060	
D103	CD1321041480020	DIODE	1321-041480020	A,B,C,D,E,F,G	C173	CD1121104082020	C CAPACITOR	1121-104082020	
D103	or CD1321041480010	SWITCH DIODE	1321-041480010	A,B,C,D,E,F,G	C174	CD1121104082020	C CAPACITOR	1121-104082020	
D103	CD1321041480040	DIODE	1321-041480040	H,I,J,K	C177	CD1132476053060	E CAPACITOR	1132-476053060	
D104	CD1321041480020	DIODE	1321-041480020	A,B,C,D,E,F,G	C178	CD1132476053060	E CAPACITOR	1132-476053060	
D104	or CD1321041480010	SWITCH DIODE	1321-041480010	A,B,C,D,E,F,G	C179	CD1121104082020	C CAPACITOR	1121-104082020	
D104	CD1321041480040	DIODE	1321-041480040	H,I,J,K	C180	CD1121104082020	C CAPACITOR	1121-104082020	
D110	CD1321041480020	DIODE	1321-041480020	A,B,C,D,E,F,G	C186	CD1121104082020	C CAPACITOR	1121-104082020	
D110	or CD1321041480010	SWITCH DIODE	1321-041480010	A,B,C,D,E,F,G	C187	CD1121104082020	C CAPACITOR	1121-104082020	
D110	CD1321041480040	DIODE	1321-041480040	H,I,J,K	C192	CD1121104082020	C CAPACITOR	1121-104082020	
D111	CD1321041480020	DIODE	1321-041480020	A,B,C,D,E,F,G	C193	CD1121104082020	C CAPACITOR	1121-104082020	
D111	or CD1321041480010	SWITCH DIODE	1321-041480010	A,B,C,D,E,F,G	C194	CD1121104082020	C CAPACITOR	1121-104082020	
D111	CD1321041480040	DIODE	1321-041480040	H,I,J,K	C195	CD1121104082020	C CAPACITOR	1121-104082020	
					C196	CD1121104082020	C CAPACITOR	1121-104082020	
C1	CD1121103082020	C CAPACITOR	1121-103082020		R1	CD1221562062020	C RESISTOR	1221-562062020	
C3	CD1121103082020	C CAPACITOR	1121-103082020		R3	CD1231047022000	RESISTOR	1231-047022000	
C100	CD1121104082020	C CAPACITOR	1121-104082020		R4	CD1221562062020	C RESISTOR	1221-562062020	
C101	CD1121104082020	C CAPACITOR	1121-104082020		R5	CD1221102062020	C RESISTOR	1221-102062020	
C102	CD1132227053060	E CAPACITOR	1132-227053060		R6	CD1221102062020	C RESISTOR	1221-102062020	
C103	CD1121104082020	C CAPACITOR	1121-104082020		R7	CD1221101062020	C RESISTOR	1221-101062020	
C104	CD1132227053060	E CAPACITOR	1132-227053060		R8	CD1221101062020	C RESISTOR	1221-101062020	
C105	CD1121104082020	C CAPACITOR	1121-104082020		R9	CD1221562062020	C RESISTOR	1221-562062020	A,B,C,D,E,F,G
C106	CD1132106053060	E CAPACITOR	1132-106053060		R9	CD1221000062020	C RESISTOR	1221-000062020	H,I,J,K
C107	CD1121105051020	C CAPACITOR	1121-105051020		R11	CD1221000062020	C RESISTOR	1221-000062020	
C108	CD1121104082020	C CAPACITOR	1121-104082020		R100	CD1221000062020	C RESISTOR	1221-000062020	
C109	CD1132107053060	E CAPACITOR	1132-107053060		R101	CD1221000062020	C RESISTOR	1221-000062020	
C110	CD1121104082020	C CAPACITOR	1121-104082020		R103	CD1221510061020	C RESISTOR	1221-510061020	
C111	CD1132107053060	E CAPACITOR	1132-107053060		R104	CD1221121061020	C RESISTOR	1221-121061020	
C112	CD1121104082020	C CAPACITOR	1121-104082020		R105	CD1221103062020	C RESISTOR	1221-103062020	
C113	CD1121100081020	C CAPACITOR	1121-100081020		R106	CD1221101062020	C RESISTOR	1221-101062020	
C114	CD1121104082020	C CAPACITOR	1121-104082020		R107	CD1221220062020	C RESISTOR	1221-220062020	
C115	CD1121104082020	C CAPACITOR	1121-104082020		R108	CD1221470062020	C RESISTOR	1221-470062020	
C116	CD1121104082020	C CAPACITOR	1121-104082020		R109	CD1221222062020	C RESISTOR	1221-222062020	A,B,C,D,E,F,G
C117	CD1121104082020	C CAPACITOR	1121-104082020		R109	CD1221101062020	C RESISTOR	1221-101062020	H,I,J,K
C118	CD1132107053710	E CAPACITOR	1132-107053710		R110	CD1221330062020	C RESISTOR	1221-330062020	
C119	CD1121104082020	C CAPACITOR	1121-104082020		R111	CD1221473062020	C RESISTOR	1221-473062020	
C120	CD1121104082020	C CAPACITOR	1121-104082020		R112	CD1221103062020	C RESISTOR	1221-103062020	
C121	CD1121104082020	C CAPACITOR	1121-104082020		R114	CD1221000062020	C RESISTOR	1221-000062020	
C122	CD1132106053060	E CAPACITOR	1132-106053060		R115	CD1221000062020	C RESISTOR	1221-000062020	
C123	CD1121104082020	C CAPACITOR	1121-104082020		R118	CD1221000062020	C RESISTOR	1221-000062020	
C124	CD1132107053060	E CAPACITOR	1132-107053060		R119	CD1221472062020	C RESISTOR	1221-472062020	
C127	CD1132477053220	E CAPACITOR	1132-477053220		R120	CD1221472062020	C RESISTOR	1221-472062020	
C129	CD1121105051020	C CAPACITOR	1121-105051020		R122	CD1221102062020	C RESISTOR	1221-102062020	
C131	CD1121104082020	C CAPACITOR	1121-104082020		R123	CD1221472062020	C RESISTOR	1221-472062020	
C132	CD1121104082020	C CAPACITOR	1121-104082020		R125	CD1221103062020	C RESISTOR	1221-103062020	
C133	CD1121104082020	C CAPACITOR	1121-104082020		R127	CD1231022022000	RESISTOR	1231-022022000	
C134	CD1132107053060	E CAPACITOR	1132-107053060		R128	CD1221222062020	C RESISTOR	1221-222062020	
C135	CD1121102082020	C CAPACITOR	1121-102082020		R130	CD1221222062020	C RESISTOR	1221-222062020	
C136	CD1121104082020	C CAPACITOR	1121-104082020		R132	CD1221101062020	C RESISTOR	1221-101062020	
C137	CD1121104082020	C CAPACITOR	1121-104082020		R133	CD1221101062020	C RESISTOR	1221-101062020	
C138	CD1121101082020	C CAPACITOR	1121-101082020		R135	CD1121101082020	C CAPACITOR	1121-101082020	A,B,C,D,E,F,G
C139	CD1121510081020	C CAPACITOR	1121-510081020		R135	or CD1221153062020	C RESISTOR	1221-153062020	A,B,C,D,E,F,G
C140	CD1121510081020	C CAPACITOR	1121-510081020		R135	CD1221153062020	C RESISTOR	1221-153062020	H,I,J,K
C146	CD1121104082020	C CAPACITOR	1121-104082020		R142	CD1221472062020	C RESISTOR	1221-472062020	
C147	CD1121104082020	C CAPACITOR	1121-104082020		R143	CD1221000062020	C RESISTOR	1221-000062020	
C148	CD1121105051020	C CAPACITOR	1121-105051020		R144	CD1221051062020	C RESISTOR	1221-051062020	
C149	CD1121104082020	C CAPACITOR	1121-104082020		R145	CD1221000062020	C RESISTOR	1221-000062020	
C150	CD1132476053060	E CAPACITOR	1132-476053060		R147	CD1221103062020	C RESISTOR	1221-103062020	
C151	CD1132476053060	E CAPACITOR	1132-476053060		R148	CD1221393062020	C RESISTOR	1221-393062020	
C152	CD1121104082020	C CAPACITOR	1121-104082020		R149	CD1221222062020	C RESISTOR	1221-222062020	
C155	CD1121103082020	C CAPACITOR	1121-103082020		R150	CD1221222062020	C RESISTOR	1221-222062020	
C156	CD1121103082020	C CAPACITOR	1121-103082020		R153	CD1121101082020	C CAPACITOR	1121-101082020	A,B,C,D,E,F,G
C157	CD1121103082020	C CAPACITOR	1121-103082020		R153	or CD1221153062020	C RESISTOR	1221-153062020	A,B,C,D,E,F,G
C158	CD1132107053060	E CAPACITOR	1132-107053060		R153	CD1221153062020	C RESISTOR	1221-153062020	H,I,J,K
C159	CD1121104082020	C CAPACITOR	1121-104082020		R154	CD1221000062020	C RESISTOR	1221-000062020	
C160	CD1121104082020	C CAPACITOR	1121-104082020		R155	CD1221000062020	C RESISTOR	1221-000062020	
C161	CD1132107053060	E CAPACITOR	1132-107053060		R156	CD1221103062020	C RESISTOR	1221-103062020	
C162	CD1121104082020	C CAPACITOR	1121-104082020		R157	CD1221000062020	C RESISTOR	1221-000062020	
C163	CD1132476053060	E CAPACITOR	1132-476053060		R158	CD1221000062020	C RESISTOR	1221-000062020	
C164	CD1121104082020	C CAPACITOR	1121-104082020		R159	CD1221010062020	C RESISTOR	1221-010062020	
C165	CD1121152082020	C CAPACITOR	1121-152082020		R160	CD1221000062020	C RESISTOR	1221-000062020	
C166	CD1121102082020	C CAPACITOR	1121-102082020		R161	CD1221000062020	C RESISTOR	1221-000062020	
C167	CD1121104082020	C CAPACITOR	1121-104082020		R163	CD1221103062020	C RESISTOR	1221-103062020	

△ Symbol No.	Part No.	Part Name	Description	Local
R164	CD1231022012000	RESISTOR	1231-022012000	
R165	CD1221473062020	C RESISTOR	1221-473062020	
R166	CD1221103062020	C RESISTOR	1221-103062020	
R167	CD1221473062020	C RESISTOR	1221-473062020	
R168	CD1221681062020	C RESISTOR	1221-681062020	
R169	CD1221000062020	C RESISTOR	1221-000062020	
R170	CD1221000062020	C RESISTOR	1221-000062020	
R171	CD2721101020000	FERRITE BEAD	2721-101020000	A,B,C,D,E,F,G
R171	CD1221220062020	C RESISTOR	1221-220062020	H,I,J,K
R172	CD2721101020000	FERRITE BEAD	2721-101020000	A,B,C,D,E,F,G
R172	CD1221220062020	C RESISTOR	1221-220062020	H,I,J,K
R180	CD122122062020	C RESISTOR	1221-222062020	
R181	CD122122062020	C RESISTOR	1221-222062020	
R182	CD122122062020	C RESISTOR	1221-222062020	
R183	CD122122062020	C RESISTOR	1221-222062020	
R199	CD1221472062020	C RESISTOR	1221-472062020	
L101	CD1606010040000	COIL	1606-010040000	
L102	CD1606010040000	COIL	1606-010040000	A,B,C,D,E,F,G
L102	CD2721272030010	FERRITE BEAD	2721-272030010	H,I,J,K
CN102	CD3106101611010	FFC CONNECTOR	3106-101611010	
CN103	CD3101200521010	HEADER	3101-200521010	
CN104	CD3101200621010	HEADER	3101-200621010	
CN107	CD3106122021000	FFC CONNECTOR	3106-122021000	
CN114	CD3101200311010	HEADER	3101-200311010	
F101	CD1221000062030	C RESISTOR	1221-000062030	
F102	CD2721601030020	FERRITE BEAD	2721-601030020	
F103	CD2721601030020	FERRITE BEAD	2721-601030020	
F105	CD2721601030020	FERRITE BEAD	2721-601030020	
F106	CD2721601030020	FERRITE BEAD	2721-601030020	
F107	CD2721601030020	FERRITE BEAD	2721-601030020	
F108	CD1221000062030	C RESISTOR	1221-000062030	A,B,C,D,E,F,G
F108	CD2721601030020	FERRITE BEAD	2721-601030020	H,I,J,K
F109	CD1221000062030	C RESISTOR	1221-000062030	A,B,C,D,E,F,G
F109	CD2721601030020	FERRITE BEAD	2721-601030020	H,I,J,K
F110	CD1221000062030	C RESISTOR	1221-000062030	
F112	CD1221000062030	C RESISTOR	1221-000062030	A,B,C,D,E,F,G
F112	CD2721601030020	FERRITE BEAD	2721-601030020	H,I,J,K
F113	CD1221000062030	C RESISTOR	1221-000062030	A,B,C,D,E,F,G
F113	CD2721601030020	FERRITE BEAD	2721-601030020	H,I,J,K
F117	CD1221000062030	C RESISTOR	1221-000062030	A,B,C,D,E,F,G
F117	CD2721601030020	FERRITE BEAD	2721-601030020	H,I,J,K
F118	CD1221000062030	C RESISTOR	1221-000062030	
F120	CD2721601030020	FERRITE BEAD	2721-601030020	A,B,C,D,E,F,G
F120	CD2721272030010	FERRITE BEAD	2721-272030010	H,I,J,K
F121	CD1221000062030	C RESISTOR	1221-000062030	
F122	CD1221000062030	C RESISTOR	1221-000062030	A,B,C,D,E,F,G
F122	CD2721601030020	FERRITE BEAD	2721-601030020	H,I,J,K
F123	CD1221000062030	C RESISTOR	1221-000062030	
F124	CD2721601030020	FERRITE BEAD	2721-601030020	
F125	CD2721601030020	FERRITE BEAD	2721-601030020	
F127	CD1221000062030	C RESISTOR	1221-000062030	
F128	CD1221000062030	C RESISTOR	1221-000062030	
RN101	CD1225330062020	RESISTOR ARRAY	1225-330062020	
RN102	CD1225330062020	RESISTOR ARRAY	1225-330062020	
RN103	CD1225330062020	RESISTOR ARRAY	1225-330062020	
RN104	CD1225330062020	RESISTOR ARRAY	1225-330062020	
X101	CD1001270000200	CRYSTAL	1001-270000200	A,B,C,D,E,F,G
X101	CD1001270000250	CRYSTAL	1001-270000250	H,I,J,K

△ Symbol No.	Part No.	Part Name	Description	Local
U6	CD1512000431020	IC	1512-000431020	
D1	CD1311002070010	DIODE	1311-002070010	A,B,C,D,E,F,G
D1	or CD1311002070000	DIODE	1311-002070000	A,B,C,D,E,F,G
D1	CD1311002070020	DIODE	1311-002070020	H,I,J,K
D2	CD1311002070010	DIODE	1311-002070010	A,B,C,D,E,F,G
D2	or CD1311002070000	DIODE	1311-002070000	A,B,C,D,E,F,G
D2	CD1311002070020	DIODE	1311-002070020	H,I,J,K
D3	CD1311002070010	DIODE	1311-002070010	A,B,C,D,E,F,G
D3	or CD1311002070000	DIODE	1311-002070000	A,B,C,D,E,F,G
D3	CD1311002070020	DIODE	1311-002070020	H,I,J,K
D4	CD1311002070010	DIODE	1311-002070010	A,B,C,D,E,F,G
D4	or CD1311002070000	DIODE	1311-002070000	A,B,C,D,E,F,G
D4	CD1311002070020	DIODE	1311-002070020	H,I,J,K
D5	CD1311140070000	DIODE RECTIFIER	1311-140070000	A,B,C,D,E,F,G
D5	CD1311140070020	DIODE	1311-140070020	H,I,J,K
D6	CD1311001070000	DIODE	1311-001070000	A,B,C,D,E,F,G, H,I,K
D6	or CD1311001070020	DIODE	1311-001070020	A,B,C,D,E,F,G
D6	CD1311001070050	DIODE	1311-001070050	J
D7	CD1311141480010	DIODE	1311-141480010	A,B,C,D,E,F,G
D7	CD1321041480040	DIODE	1321-041480040	H,I,J,K
D8	CD1311001040000	DIODE	1311-001040000	A,B,C,D,E,F,G, I,K
D8	or CD1311001040010	DIODE	1311-001040010	A,B,C,D,E,F,G
D8	CD1311140070020	DIODE	1311-140070020	H,J
D9	CD1311008200000	DIODE RECTIFIER	1311-008200000	
D10	CD1311001040000	DIODE	1311-001040000	A,B,C,D,E,F,G, H,I,K
D10	or CD1311001040010	DIODE	1311-001040010	A,B,C,D,E,F,G
D10	CD1311001040030	DIODE	1311-001040030	J
D11	CD1312158220010	BARRIER DIODE	1312-158220010	
D11	or CD1312158220020	BARRIER DIODE	1312-158220020	A,B,C,D,E,F,G
D12	CD1311001040000	DIODE	1311-001040000	A,B,C,D,E,F,G, H,I,K
D12	or CD1311001040010	DIODE	1311-001040010	A,B,C,D,E,F,G
D12	CD1311001040030	DIODE	1311-001040030	J
D13	CD1312158190000	DIODE	1312-158190000	
D14	CD1311001040000	DIODE	1311-001040000	A,B,C,D,E,F,G, H,I,K
D14	or CD1311001040010	DIODE	1311-001040010	A,B,C,D,E,F,G
D14	CD1311001040030	DIODE	1311-001040030	J
D15	CD1311141480010	DIODE	1311-141480010	A,B,C,D,E,F,G
D15	CD1321041480040	DIODE	1321-041480040	H,I,J,K
D16	CD1312158220010	BARRIER DIODE	1312-158220010	
D16	or CD1312158220020	BARRIER DIODE	1312-158220020	A,B,C,D,E,F,G
D17	CD1313079430000	DIODE	1313-079430000	
D18	CD1311141480010	DIODE	1311-141480010	
D19	CD1311001040000	DIODE	1311-001040000	A,B,C,D,E,F,G, H,I,K
D19	or CD1311001040010	DIODE	1311-001040010	A,B,C,D,E,F,G
D19	CD1311001040030	DIODE	1311-001040030	J
△ C1	CD1111224133790	CAPACITOR	1111-224133790	
△ C1	or CD1111224133810	CAPACITOR	1111-224133810	A,B,C,D,E,F,G
△ C2	CD1111224133790	CAPACITOR	1111-224133790	
△ C2	or CD1111224133810	CAPACITOR	1111-224133810	A,B,C,D,E,F,G
△ C3	CD1111102143010	C CAPACITOR	1111-102143010	A,B,C,D,E,F,G
△ C3	or CD1111102143000	C CAPACITOR	1111-102143000	A,B,C,D,E,F,G
△ C3	CD1111152143010	C CAPACITOR	1111-152143010	H,I,J,K
△ C4	CD1111102143010	C CAPACITOR	1111-102143010	A,B,C,D,E,F,G
△ C4	or CD1111102143000	C CAPACITOR	1111-102143000	A,B,C,D,E,F,G
△ C4	CD1111152143010	C CAPACITOR	1111-152143010	H,I,J,K
C5	CD1112127203300	CAPACITOR	1112-127203300	
△ C6	CD1111472193000	C CAPACITOR	1111-472193000	
C7	CD1131471082000	C CAPACITOR	1131-471082000	
C8	CD1131471082000	C CAPACITOR	1131-471082000	
C8	CD1132476063060	CAPACITOR	1132-476063060	
C10	CD1131104084000	CAPACITOR	1131-104084000	
C11	CD1111472193000	C CAPACITOR	1111-472193000	
C12	CD1131103084000	CAPACITOR	1131-103084000	
C13	CD1112108053160	CAPACITOR	1112-108053160	
C14	CD1132337053220	CAPACITOR	1132-337053220	
C15	CD1132337053220	CAPACITOR	1132-337053220	
C16	CD1132337053220	CAPACITOR	1132-337053220	
C17	CD1132228073271	E CAPACITOR	1132-228073271	
C18	CD1132477073140	CAPACITOR	1132-477073140	
C19	CD1132476083100	CAPACITOR	1132-476083100	
C20	CD1132105083030	CAPACITOR	1132-105083030	

## SMPS board

Block No. [0][3]

△ Symbol No.	Part No.	Part Name	Description	Local
U1	CD1512001216020	IC	1512-001216020	
U2	CD1415008170000	PHOTO-COUPLER	1415-008170000	
U3	CD1512000431020	IC	1512-000431020	

△ Symbol No.	Part No.	Part Name	Description	Local	△ Symbol No.	Part No.	Part Name	Description	Local
C21	CD1132337053220	CAPACITOR	1132-337053220		JP4	CD3005000000000	JUMP WIRE	3005-000000000	
△ C22	CD1111222143000	C CAPACITOR	1111-222143000	A,B,C,D,E,F,G	JP5	CD3005000000000	JUMP WIRE	3005-000000000	
△ C22 or	CD1111222143001	C CAPACITOR	1111-222143001	A,B,C,D,E,F,G	JP6	CD3005000000000	JUMP WIRE	3005-000000000	
C23	CD1112127203300	CAPACITOR	1112-127203300		JP7	CD3005000000000	JUMP WIRE	3005-000000000	
△ C24	CD1131102082000	CAPACITOR	1131-102082000	A,B,C,D,E,F,G, H,I,K	JP8	CD3005000000000	JUMP WIRE	3005-000000000	
C25	CD1132107053060	E CAPACITOR	1132-107053060		JP9	CD3005000000000	JUMP WIRE	3005-000000000	H,I,J,K
C26	CD1131104084000	CAPACITOR	1131-104084000		SW1	CD3101790221000	HEADER	3101-790221000	I,K
C27	CD1132226083060	CAPACITOR	1132-226083060		V1	CD1414005600010	MOS FET	1414-005600010	
C28	CD1111472193000	C CAPACITOR	1111-472193000		V1 or	CD1414005600000	MOS FET	1414-005600000	A,B,C,D,E,F,G
C29	CD1121102102030	C CAPACITOR	1121-102102030	H,I,J,K	V2	CD1411012750000	TRANSISTOR	1411-012750000	
C32	CD1121102102030	C CAPACITOR	1121-102102030	H,I,J,K	V3	CD1412080500000	TRANSISTOR	1412-080500000	
C33	CD1121472143120	C CAPACITOR	1121-472143120	H,I,J,K	V4	CD1412080500000	TRANSISTOR	1412-080500000	
R1	CD1237105012000	RESISTOR	1237-105012000	A,B,C,D,E,F,G	V5	CD1411385500000	TRANSISTOR	1411-385500000	
R2	CD1237473082000	RESISTOR	1237-473082000		V7	CD1412080500000	TRANSISTOR	1412-080500000	
R3	CD1237047081000	RESISTOR	1237-047081000		VD1	CD1323002400000	Z DIODE	1323-002400000	H,I,J,K
R4	CD1231470042000	RESISTOR	1231-470042000		VD2	CD1323000680040	Z DIODE	1323-000680040	H,J
R5	CD1231332022000	RESISTOR	1231-332022000	A,B,C,D,E,F,G, I,K	<b>Display board</b>				
R5	CD1231821042000	RESISTOR	1231-821042000	H,J	<b>Block No. [0][4]</b>				
R6	CD1231103032000	RESISTOR	1231-103032000		△ Symbol No.	Part No.	Part Name	Description	Local
R7	CD1231102042000	RESISTOR	1231-102042000		U501	CD1513016315010	IC	1513-016315010	
R8	CD1231220022000	RESISTOR	1231-220022000		CH01	CD1121101082020	C CAPACITOR	1121-101082020	
R9	CD1231203042000	RESISTOR	1231-203042000		CH02	CD1121101082020	C CAPACITOR	1121-101082020	
R10	CD1231101072000	RESISTOR	1231-101072000	A,B,C,D,E,F,G	CH03	CD1121101082020	C CAPACITOR	1121-101082020	A,B,C,D,E,F,G
R11	CD1237330082000	RESISTOR	1237-330082000	H,I,J,K	CH03	CD1121102082020	C CAPACITOR	1121-102082020	H,I,J,K
R12	CD1231104041000	RESISTOR	1231-104041000		CH04	CD1121101082020	C CAPACITOR	1121-101082020	A,B,C,D,E,F,G
R13	CD1237472012000	RESISTOR	1237-472012000		CH04	CD1121102082020	C CAPACITOR	1121-102082020	H,I,J,K
R14	CD1231472042000	RESISTOR	1231-472042000		CH05	CD8022000000600	PULSE GUARD	8022-000000600	
R15	CD1231102042000	RESISTOR	1231-102042000		CH06	CD8022000000600	PULSE GUARD	8022-000000600	
R16	CD1231102042000	RESISTOR	1231-102042000		CH07	CD8022000000600	PULSE GUARD	8022-000000600	
R17	CD1231102042000	RESISTOR	1231-102042000	A,B,C,D,E,F,G	CH08	CD8022000000600	PULSE GUARD	8022-000000600	
R17	CD1221102062030	C RESISTOR	1221-102062030	H,I,J,K	CK401	CD1121104082020	C CAPACITOR	1121-104082020	
R18	CD1231101042000	RESISTOR	1231-101042000		CK402	CD1121102082020	C CAPACITOR	1121-102082020	
R19	CD1231102042000	RESISTOR	1231-102042000		CK403	CD1121102082020	C CAPACITOR	1121-102082020	
R20	CD1231332021000	RESISTOR	1231-332021000		CK404	CD1121104082020	C CAPACITOR	1121-104082020	
R21	CD1231362041000	RESISTOR	1231-362041000		CK405	CD1121104082020	C CAPACITOR	1121-104082020	
R22	CD1231472042000	RESISTOR	1231-472042000		CN41	CD3106101621020	FFC CONNECTOR	3106-101621020	
R23	CD1231101072000	RESISTOR	1231-101072000		CV503	CD1121104082020	C CAPACITOR	1121-104082020	
R24	CD1211100072000	RESISTOR	1211-100072000		CV504	CD1121104082020	C CAPACITOR	1121-104082020	
R25	CD1231243042000	RESISTOR	1231-243042000	A,B,C,D,E,F,G	CV505	CD1121104082020	C CAPACITOR	1121-104082020	
R25	CD1231273042000	RESISTOR	1231-273042000	H,I,J,K	CV515	CD1121104082020	C CAPACITOR	1121-104082020	
R26	CD1231184042000	RESISTOR	1231-184042000		CV516	CD1121104082020	C CAPACITOR	1121-104082020	
R27	CD1211222042000	RESISTOR	1211-222042000		CV517	CD1121104082020	C CAPACITOR	1121-104082020	
R28	CD1231331062000	RESISTOR	1231-331062000		CV521	CD1121221082020	C CAPACITOR	1121-221082020	
R29	CD1211222042000	RESISTOR	1211-222042000		CV522	CD1121221082020	C CAPACITOR	1121-221082020	
R30	CD1237510072000	RESISTOR	1237-510072000	A,B,C,D,E,F,G	CV525	CD1121221082020	C CAPACITOR	1121-221082020	
R30	CD1237220082000	RESISTOR	1237-220082000	H,I,J,K	CV526	CD1121221082020	C CAPACITOR	1121-221082020	
R31	CD1237510072000	RESISTOR	1237-510072000	A,B,C,D,E,F,G	CV527	CD1121221082020	C CAPACITOR	1121-221082020	
R31	CD1237220082000	RESISTOR	1237-220082000	H,I,J,K	DK401	CD1321040010000	DIODE	1321-040010000	A,B,C,D,E,F,G
R32	CD1237105012000	RESISTOR	1237-105012000	H,I,J,K	DK401 or	CD1321040010010	DIODE	1321-040010010	A,B,C,D,E,F,G
R33	CD1221220022050	C RESISTOR	1221-220022050	H,I,J,K	DV501	CD1322005200020	BARRIER DIODE	1322-005200020	
R34	CD1221220022050	C RESISTOR	1221-220022050	H,I,J,K	EC412	CD1132107053090	E CAPACITOR	1132-107053090	
R36	CD1237105012000	RESISTOR	1237-105012000	H,I,J,K	EC501	CD1132107053090	E CAPACITOR	1132-107053090	
R37	CD1221101012050	C RESISTOR	1221-101012050	H,I,J,K	EC502	CD1132107053090	E CAPACITOR	1132-107053090	
△ L1	CD2104000000130	LINE FILTER	2104-000000130	A,B,C,D,E,F,G, H,I,K	EC503	CD1132106083080	E CAPACITOR	1132-106083080	
△ L1	CD21040000000270	LINE FILTER	2104-0000000270	J	EC504	CD1132106083080	E CAPACITOR	1132-106083080	
L2	CD1604102174000	COIL	1604-102174000	A,B,C,D,E,F,G	EC505	CD1132476073200	E CAPACITOR	1132-476073200	
L2	CD1231560022000	COIL	1231-560022000	H,I,J,K	EC506	CD1132227053320	E CAPACITOR	1132-227053320	
L3	CD1614100006000	POWER INDUCTOR	1614-100006000	A,B,C,D,E,F,G	FB41	CD1221000062020	C RESISTOR	1221-000062020	A,B,C,D,E,F,G
L3	CD1614100003010	COIL	1614-100003010	H,I,J,K	FB41	CD2721272030010	FERRITE BEAD	2721-272030010	H,I,J,K
L4	CD1614100006000	POWER INDUCTOR	1614-100006000		FB42	CD1221000062020	C RESISTOR	1221-000062020	A,B,C,D,E,F,G
L5	CD1614100003010	COIL	1614-100003010		FB42	CD2721272030010	FERRITE BEAD	2721-272030010	H,I,J,K
L6	CD1604100072000	COIL	1604-100072000		FB43	CD1221000062020	C RESISTOR	1221-000062020	
L7	CD1608300025000	TOROIDAL COIL	1608-300025000		FB44	CD1221000062020	C RESISTOR	1221-000062020	
△ T1	CD2302285000500	TRANSFORMER	2302-285000500		FB401	CD2721101020000	FERRITE BEAD	2721-101020000	
CN1	CD3101250221010	HEADER	3101-250221010		FB402	CD2721101020000	FERRITE BEAD	2721-101020000	
CN2	CD3101200921000	HEADER	3101-200921000		FB403	CD2721101020000	FERRITE BEAD	2721-101020000	
CN3	CD3101250411000	HEADER	3101-250411000		FB404	CD2721101020000	FERRITE BEAD	2721-101020000	
CN5	CD3101200221010	HEADER	3101-200221010		FB404	CD2721101020000	FERRITE BEAD	2721-101020000	
F2	CD3005000000000	JUMP WIRE	3005-000000000	H,I,J,K	FB502	CD2721101020000	FERRITE BEAD	2721-101020000	
JP3	CD3005000000000	JUMP WIRE	3005-000000000		FB503	CD2721101020000	FERRITE BEAD	2721-101020000	

△ Symbol No.	Part No.	Part Name	Description	Local
FB504	CD2721101020000	FERRITE BEAD	2721-101020000	
FB505	CD2721101020000	FERRITE BEAD	2721-101020000	
FB506	CD2721101020000	FERRITE BEAD	2721-101020000	
FB507	CD2721101020000	FERRITE BEAD	2721-101020000	
FB508	CD2721101020000	FERRITE BEAD	2721-101020000	
FB509	CD2721101020000	FERRITE BEAD	2721-101020000	
FB510	CD2721101020000	FERRITE BEAD	2721-101020000	
FB511	CD2721101020000	FERRITE BEAD	2721-101020000	
IR401	CD180100000270	IR	1801-000000270	
JK41	CD3203070225000	MICRO PHONE JACK	3203-070225000	
JK41	or CD3203070135010	MICRO PHONE JACK	3203-070135010	A,B,C,D,E,F,G
JK42	CD3203070225000	MICRO PHONE JACK	3203-070225000	
JK42	or CD3203070135010	MICRO PHONE JACK	3203-070135010	A,B,C,D,E,F,G
JK43	CD3209040100030	USB JACK	3209-040100030	
JW01	CD3005000000000	JUMP WIRE	3005-000000000	
JW02	CD3005000000000	JUMP WIRE	3005-000000000	
JW03	CD3005000000000	JUMP WIRE	3005-000000000	
JW04	CD3005000000000	JUMP WIRE	3005-000000000	
JW05	CD3005000000000	JUMP WIRE	3005-000000000	
JW06	CD3005000000000	JUMP WIRE	3005-000000000	
JW07	CD3005000000000	JUMP WIRE	3005-000000000	
JW08	CD3005000000000	JUMP WIRE	3005-000000000	
JW09	CD3005000000000	JUMP WIRE	3005-000000000	
JW10	CD3005000000000	JUMP WIRE	3005-000000000	
JW11	CD3005000000000	JUMP WIRE	3005-000000000	
JW12	CD3005000000000	JUMP WIRE	3005-000000000	
JW13	CD3005000000000	JUMP WIRE	3005-000000000	
JW14	CD3005000000000	JUMP WIRE	3005-000000000	
JW15	CD3005000000000	JUMP WIRE	3005-000000000	
JW16	CD3005000000000	JUMP WIRE	3005-000000000	
JW17	CD3005000000000	JUMP WIRE	3005-000000000	
JW18	CD3005000000000	JUMP WIRE	3005-000000000	
JW19	CD3005000000000	JUMP WIRE	3005-000000000	
LED1	CD1316033470000	LED	1316-033470000	
LED2	CD1316030300000	LED	1316-030300000	A,B,C,D,E,F,G
LED2	CD1316034000000	LED	1316-034000000	H,I,J,K
LED3	CD1316030300000	LED	1316-030300000	A,B,C,D,E,F,G
LED3	CD1316034000000	LED	1316-034000000	H,I,J,K
LED4	CD1316030300000	LED	1316-030300000	A,B,C,D,E,F,G
LED4	CD1316034000000	LED	1316-034000000	H,I,J,K
LED5	CD1316030300000	LED	1316-030300000	A,B,C,D,E,F,G
LED5	CD1316034000000	LED	1316-034000000	H,I,J,K
LH01	CD1221000062020	C RESISTOR	1221-000062020	A,B,C,D,E,F,G
LH01	CD2721272030010	FERRITE BEAD	2721-272030010	H,I,J,K
LH02	CD1221000062020	C RESISTOR	1221-000062020	A,B,C,D,E,F,G
LH02	CD2721272030010	C RESISTOR	2721-272030010	H,I,J,K
LH03	CD1606100120000	COIL	1606-100120000	
LH04	CD1606100120000	COIL	1606-100120000	
PTC01	CD1214033000001	THERMISTOR PTC	1214-033000001	
QK402	CD1422080500030	TRANSISTOR	1422-080500030	
QK403	CD1422080500030	TRANSISTOR	1422-080500030	
QK404	CD1422080500030	TRANSISTOR	1422-080500030	
QK405	CD1421385500000	TRANSISTOR	1421-385500000	
QV506	CD1412080500000	TRANSISTOR	1412-080500000	
QV507	CD1411385500000	TRANSISTOR	1411-385500000	
RH01	CD1221511062020	C RESISTOR	1221-511062020	
RH02	CD1221511062020	C RESISTOR	1221-511062020	
RK401	CD1221221062020	C RESISTOR	1221-221062020	
RK402	CD1221222062020	C RESISTOR	1221-222062020	
RK403	CD1221101062020	C RESISTOR	1221-101062020	
RK404	CD1221101062020	C RESISTOR	1221-101062020	
RK405	CD1221101062020	C RESISTOR	1221-101062020	
RK406	CD1221101062020	C RESISTOR	1221-101062020	
RK410	CD1221103062020	C RESISTOR	1221-103062020	
RK411	CD1221471062020	C RESISTOR	1221-471062020	
RK412	CD1221182062020	C RESISTOR	1221-182062020	
RK413	CD1221272062020	C RESISTOR	1221-272062020	
RK414	CD1221332062020	C RESISTOR	1221-332062020	
RK415	CD1221392062020	C RESISTOR	1221-392062020	
RK416	CD1221752062020	C RESISTOR	1221-752062020	
RK417	CD1221103062020	C RESISTOR	1221-103062020	
RK418	CD1221103062020	C RESISTOR	1221-103062020	
RK419	CD1221222062020	C RESISTOR	1221-222062020	
RK421	CD1221222062020	C RESISTOR	1221-222062020	

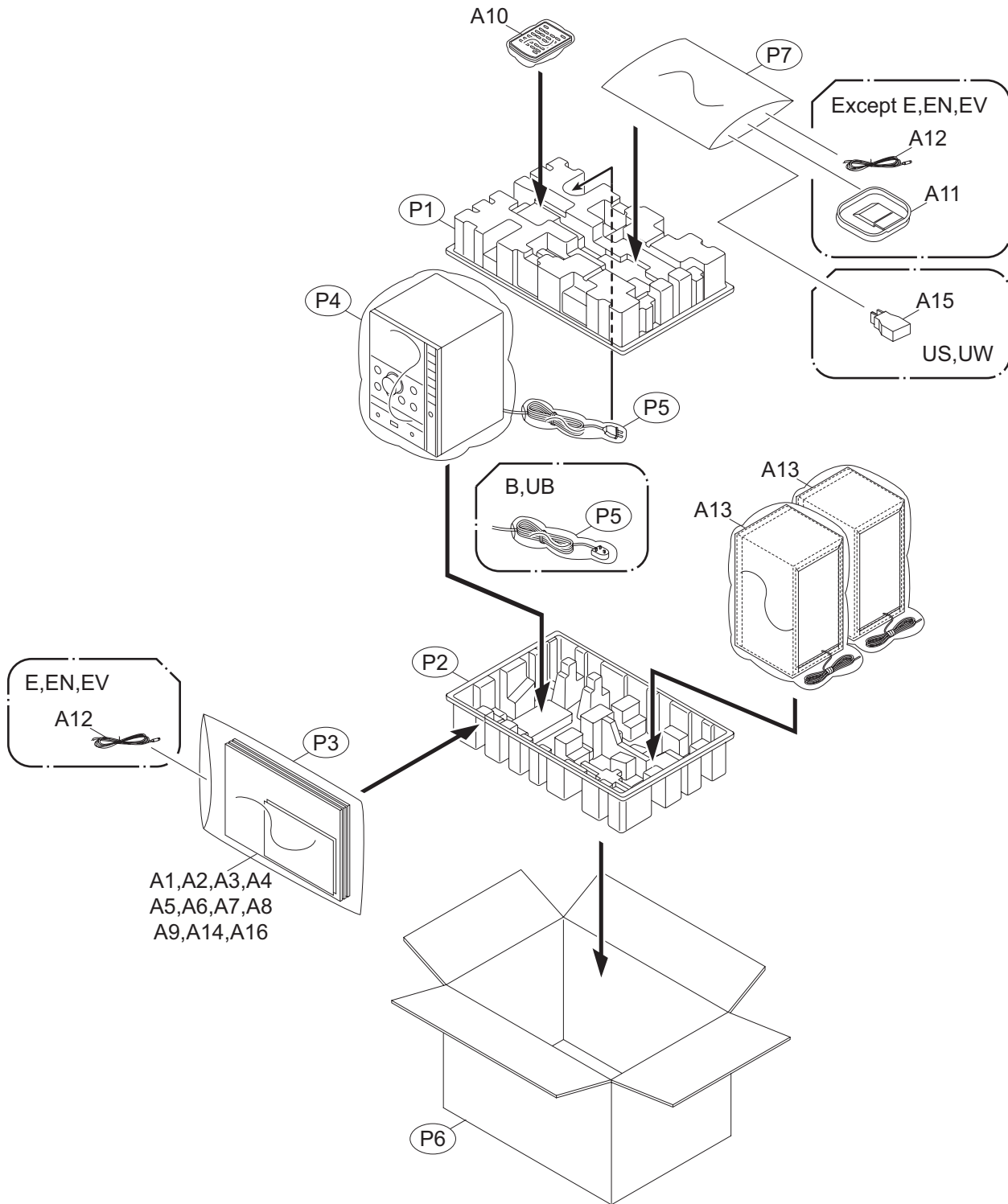
△ Symbol No.	Part No.	Part Name	Description	Local
RK423	CD1221222062020	C RESISTOR	1221-222062020	
RK424	CD1221103062020	C RESISTOR	1221-103062020	
RK425	CD1221222062020	C RESISTOR	1221-222062020	
RK431	CD1221471062020	C RESISTOR	1221-471062020	
RK432	CD1221182062020	C RESISTOR	1221-182062020	
RK433	CD1221272062020	C RESISTOR	1221-272062020	
RK434	CD1221332062020	C RESISTOR	1221-332062020	
RK435	CD1221392062020	C RESISTOR	1221-392062020	
RV501	CD1221103062020	C RESISTOR	1221-103062020	
RV502	CD1221101022050	C RESISTOR	1221-101022050	
RV503	CD1221221062020	C RESISTOR	1221-221062020	
RV504	CD1221221062020	C RESISTOR	1221-221062020	
RV505	CD1221221062020	C RESISTOR	1221-221062020	
RV506	CD1221203062020	C RESISTOR	1221-203062020	
RV507	CD1221471062020	C RESISTOR	1221-471062020	
RV508	CD1221471062020	C RESISTOR	1221-471062020	
RV509	CD1221123062020	C RESISTOR	1221-123062020	
RV518	CD1221103062020	C RESISTOR	1221-103062020	
RV519	CD1221103062020	C RESISTOR	1221-103062020	
RV520	CD1221471062020	C RESISTOR	1221-471062020	
RV521	CD1221221062020	C RESISTOR	1221-221062020	
RV522	CD1221102062020	C RESISTOR	1221-102062020	
RV523	CD1221151062020	C RESISTOR	1221-151062020	
SW401	CD3302010143050	TACT SWITCH	3302-010143050	A,B,C,D,E,F,G, H,I,K
SW401	or CD3302010143020	TACT SWITCH	3302-010143020	A,B,C,D,E,F,G
SW401	or CD3302010143010	TACT SWITCH	3302-010143010	A,B,C,D,E,F,G
SW401	CD3302010143060	TACT SWITCH	3302-010143060	J
SW402	CD3302010143050	TACT SWITCH	3302-010143050	A,B,C,D,E,F,G, H,I,K
SW402	or CD3302010143020	TACT SWITCH	3302-010143020	A,B,C,D,E,F,G
SW402	or CD3302010143010	TACT SWITCH	3302-010143010	A,B,C,D,E,F,G
SW402	CD3302010143060	TACT SWITCH	3302-010143060	J
SW403	CD3302010143050	TACT SWITCH	3302-010143050	A,B,C,D,E,F,G, H,I,K
SW403	or CD3302010143020	TACT SWITCH	3302-010143020	A,B,C,D,E,F,G
SW403	or CD3302010143010	TACT SWITCH	3302-010143010	A,B,C,D,E,F,G
SW403	CD3302010143060	TACT SWITCH	3302-010143060	J
SW404	CD3302010143050	TACT SWITCH	3302-010143050	A,B,C,D,E,F,G, H,I,K
SW404	or CD3302010143020	TACT SWITCH	3302-010143020	A,B,C,D,E,F,G
SW404	or CD3302010143010	TACT SWITCH	3302-010143010	A,B,C,D,E,F,G
SW404	CD3302010143060	TACT SWITCH	3302-010143060	J
SW405	CD3302010143050	TACT SWITCH	3302-010143050	A,B,C,D,E,F,G, H,I,K
SW405	or CD3302010143020	TACT SWITCH	3302-010143020	A,B,C,D,E,F,G
SW405	or CD3302010143010	TACT SWITCH	3302-010143010	A,B,C,D,E,F,G
SW405	CD3302010143060	TACT SWITCH	3302-010143060	J
SW406	CD3302010143050	TACT SWITCH	3302-010143050	A,B,C,D,E,F,G, H,I,K
SW406	or CD3302010143020	TACT SWITCH	3302-010143020	A,B,C,D,E,F,G
SW406	or CD3302010143010	TACT SWITCH	3302-010143010	A,B,C,D,E,F,G
SW406	CD3302010143060	TACT SWITCH	3302-010143060	J
SW407	CD3302010143050	TACT SWITCH	3302-010143050	A,B,C,D,E,F,G, H,I,K
SW407	or CD3302010143020	TACT SWITCH	3302-010143020	A,B,C,D,E,F,G
SW407	or CD3302010143010	TACT SWITCH	3302-010143010	A,B,C,D,E,F,G
SW407	CD3302010143060	TACT SWITCH	3302-010143060	J
SW408	CD3302010143050	TACT SWITCH	3302-010143050	A,B,C,D,E,F,G, H,I,K
SW408	or CD3302010143020	TACT SWITCH	3302-010143020	A,B,C,D,E,F,G
SW408	or CD3302010143010	TACT SWITCH	3302-010143010	A,B,C,D,E,F,G
SW408	CD3302010143060	TACT SWITCH	3302-010143060	J
SW410	CD3302010143050	TACT SWITCH	3302-010143050	A,B,C,D,E,F,G, H,I,K
SW410	or CD3302010143020	TACT SWITCH	3302-010143020	A,B,C,D,E,F,G
SW410	or CD3302010143010	TACT SWITCH	3302-010143010	A,B,C,D,E,F,G
SW410	CD3302010143060	TACT SWITCH	3302-010143060	J
SW411	CD3302010143050	TACT SWITCH	3302-010143050	A,B,C,D,E,F,G, H,I,K
SW411	or CD3302010143020	TACT SWITCH	3302-010143020	A,B,C,D,E,F,G
SW411	or CD3302010143010	TACT SWITCH	3302-010143010	A,B,C,D,E,F,G
SW411	CD3302010143060	TACT SWITCH	3302-010143060	J
SW412	CD3302010143050	TACT SWITCH	3302-010143050	A,B,C,D,E,F,G, H,I,K
SW412	or CD3302010143020	TACT SWITCH	3302-010143020	A,B,C,D,E,F,G
SW412	or CD3302010143010	TACT SWITCH	3302-010143010	A,B,C,D,E,F,G
SW412	CD3302010143060	TACT SWITCH	3302-010143060	J
SW413	CD3302010143050	TACT SWITCH	3302-010143050	A,B,C,D,E,F,G, H,I,K

△ Symbol No.	Part No.	Part Name	Description	Local
SW413	or CD3302010143020	TACT SWITCH	3302-010143020	A,B,C,D,E,F,G
SW413	or CD3302010143010	TACT SWITCH	3302-010143010	A,B,C,D,E,F,G
SW413	CD3302010143060	TACT SWITCH	3302-010143060	J
SW501	CD3300000000130	ENCODER	3300-000000130	
ZD41	CD1323003510000	Z DIODE	1323-003510000	
ZD41	or CD1323384510000	Z DIODE	1323-384510000	A,B,C,D,E,F,G
ZD42	CD1323003510000	Z DIODE	1323-003510000	
ZD42	or CD1323384510000	Z DIODE	1323-384510000	A,B,C,D,E,F,G
ZD43	CD1323003510000	Z DIODE	1323-003510000	
ZD43	or CD1323384510000	Z DIODE	1323-384510000	A,B,C,D,E,F,G
ZD44	CD1323003510000	Z DIODE	1323-003510000	
ZD44	or CD1323384510000	Z DIODE	1323-384510000	A,B,C,D,E,F,G
ZD405	CD1313079390020	DIODE	1313-079390020	
ZD501	CD1313079270020	Z DIODE	1313-079270020	
ZD502	CD1313079560020	Z DIODE	1313-079560020	
ZD503	CD1323003510000	Z DIODE	1323-003510000	
ZD503	or CD1323384510000	Z DIODE	1323-384510000	A,B,C,D,E,F,G
ZD504	CD1323003510000	Z DIODE	1323-003510000	
ZD504	or CD1323384510000	Z DIODE	1323-384510000	A,B,C,D,E,F,G
ZD505	CD1323003510000	Z DIODE	1323-003510000	
ZD505	or CD1323384510000	Z DIODE	1323-384510000	A,B,C,D,E,F,G
ZD506	CD1323003510000	Z DIODE	1323-003510000	
ZD506	or CD1323384510000	Z DIODE	1323-384510000	A,B,C,D,E,F,G
ZD507	CD1313079470000	DIODE	1313-079470000	
ZD508	CD1313079560020	Z DIODE	1313-079560020	

# Packing materials and accessories parts list

Block No. M 3 M M

No additional / supplemental order of WARRANTY CARDS are available.



The parts without symbol number are not service.

# Packing and Accessories

Block No. [M][3][M][M]

△ Symbol No.	Part No.	Part Name	Description	Local
A 1	CD7202081000100	INST BOOK	7202-081000100 GER	A,E
A 1	CD7202081000900	INST BOOK	7202-081000900 SPA	B,F
A 1	CD7202081001400	INST BOOK	7202-081001400 RUS	C,G
A 1	CD7202081000300	INST BOOK	7202-081000300 ENG	D
A 1	CD7202081000200	INST BOOK	7202-081000200 ENG	H,I,J,K
A 2	CD7202081000400	INST BOOK	7202-081000400 FRE	A,E
A 2	CD7202081001000	INST BOOK	7202-081001000 POR	B,F
A 2	CD7202081001500	INST BOOK	7202-081001500 POL	C,G
A 2	CD7202081001800	INST BOOK	7202-081001800 CHI(PEKIN)	I,J
A 2	CD7202081000700	INST BOOK	7202-081000700 SPA	K
A 3	CD7202081000500	INST BOOK	7202-081000500 DUT	A,E
A 3	CD7202081001100	INST BOOK	7202-081001100 SWE	B,F
A 3	CD7202081001600	INST BOOK	7202-081001600 HUN	C,G
A 3	CD7202081000800	INST BOOK	7202-081000800 POR	K
A 4	CD7202081000600	INST BOOK	7202-081000600 ITA	A,E
A 4	CD7202081001200	INST BOOK	7202-081001200 FIN	B,F
A 4	CD7202081001700	INST BOOK	7202-081001700 CZE	C,G
A 5	CD7202081001300	INST BOOK	7202-081001300 DAN	B,F
A 6	-----	WARRANTY CARD	7201-081000101	A,B,C,D,E,F,G
A 6	-----	WARRANTY CARD	7201-081200200	H
A 7	CD7201081200700	REGISTRATION CARD	7201-081200700	D
A 8	CD7203081000200	ADDENDUM SHEET	7203-081000200	
A 9	CD7203081000300	ADDENDUM SHEET	7203-081000300	
A 10	CD1901000007900	REMOTE CONTROL UNIT	1901-000007900	A,B,C,D,E,F,G
A 10	CD1901000009500	REMOTE CONTROL UNIT	1901-000009500	H,I,J,K
A 10	or CD1901000008600	REMOTE CONTROL UNIT	1901-000008600	I,K
A 11	CD5926081000100	AM ANT LOOP	5926-081000100	D,H,I,J,K
A 12	CD3009001400100	FM WIRE ANTENNA	3009-001400100	
A 13	CD8919081000100	SPEAKER BOX	8919-081000100	
A 14	CD7203081000400	UB SHEET	7203-081000400	J
A 15	CD3103000000020	CONVERSION PLUG	3103-000000020	I,K
A 16	-----	WARRANTY CARD	7201-081200300	H
P 1	CD7701081000100	PAPER PULP TOP	7701-081000100	
P 2	CD7702081000100	PAPER PULP BOTTOM	7702-081000100	
P 3	CD7502081000100	POLY BAG	7502-081000100	
P 4	CD7502081000200	HEPE BAG	7502-081000200	
P 5	CD7502081000400	POLY BAG	7502-081000400	
P 6	CD7603081000100	DISPLAY BOX	7603-081000100	A,B,C,D,E,F,G
P 6	CD7603081000200	DISPLAY BOX	7603-081000200	H,I,J,K
P 7	CD7502081000100	POLY BAG	7502-081000100	D,H,I,J,K