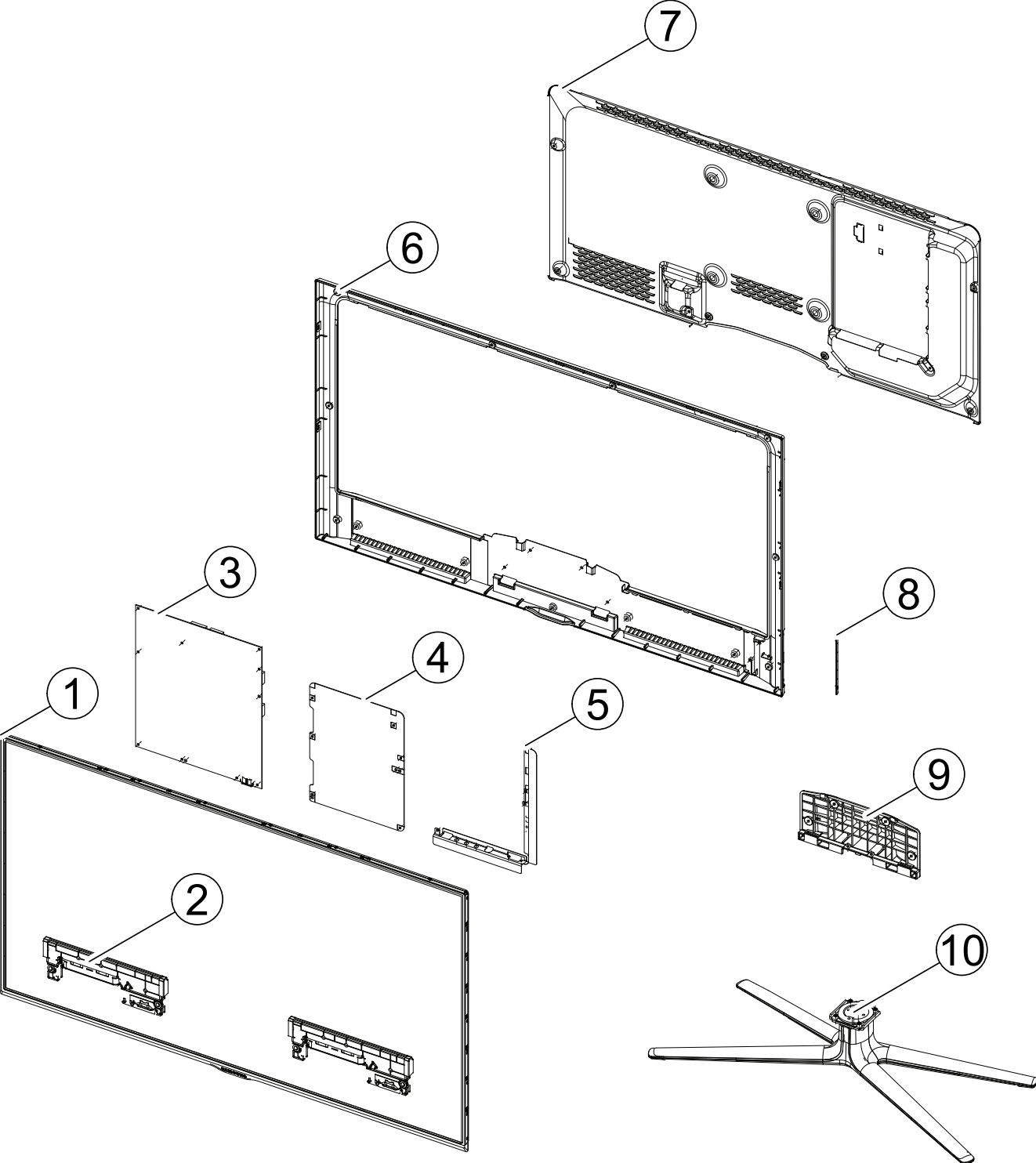


1. Exploded View & Part List

UE60D8000YS Exploded View



Parts List

| No. | Parent | Lvl. | Loc. | Material Code | Description & Specification | SNA | Qty. |
|-----|-------------|------|-------|---------------|---|-----|------|
| 1 | BN91-07651A | 2 | PANEL | BN95-00489A | PRODUCT LCD; LTJ600HQ02-V,60 INCH,16:9,SP | SA | 1 |
| 2 | BN91-07957B | 2 | SP01A | BN96-20054A | ASSY SPEAKER P; 6ohm,4pin,15W,UD7000/8000 | SA | 1 |
| 3 | BN91-07957B | 2 | P001A | BN44-00429A | DC VSS-LED TV PD BD; PD60B2_BDY,PD60B2_BD | SA | 1 |
| 4 | BN91-07956A | 2 | M0014 | BN94-05160A | ASSY PCB MAIN; UE60D8000YSXXC | SA | 1 |
| 5 | BN94-05160A | 3 | CB01 | BN61-07083Z | BRACKET-AV; UD7/8K,PCM,T0.45,BKN-P824,EUR | SNA | 1 |
| 6 | BN90-03542C | 2 | M001A | BN96-17780B | ASSY COVER P-MIDDLE; UD8000 60,EO,PC+ABS, | SA | 1 |
| 7 | BN90-02921N | 2 | R001A | BN96-20110N | ASSY COVER P-REAR; UD8000 60,EO(SATELLITE) | SA | 1 |
| 8 | BN96-17780B | 3 | FB20A | BN96-19864C | ASSY BOARD P-TOUCH FUNCTION; UD8000,SJ11- | SA | 1 |
| 9 | BN90-03544C | 2 | SG03A | BN96-19958A | ASSY STAND P-GUIDE; UD8000 60,W/W,PC+G/F | SA | 1 |
| 10 | BN90-03544C | 2 | SB04A | BN96-16787B | ASSY STAND P-BASE; PD450/490 51,PC G/F 20 | SA | 1 |

2. Electrical Parts List

| Level | Loc. | Part Code | Description & Specification | Qty. | SA/SNA |
|-------|-------|-------------|---|------|--------|
| | | | UE60D8000YSXXC (HQ02) | | |
| 1 | R001A | BN90-02921N | ASSY COVER REAR;UD8000 60 | 1 | SNA |
| .2 | R001A | BN96-20110N | ASSY COVER P-REAR;UD8000 60,EO(SATELLITE | 1 | SA |
| ..3 | | BN60-00162Y | SPACER-FOAM;FOAM,50000mm,Dark Gray,0.35T | 0 | SNA |
| ..3 | R001 | BN63-07843B | COVER-REAR;UD6400 55,PCM,T0.45,BKN-P824, | 1 | SNA |
| ..3 | | BN63-08262A | EARTH-PLATE;UD6500,STAINLESS-STS304,0.15 | 2 | SNA |
| ..3 | | BN63-08448B | GASKET-EMI;51 U/SLIM,Conductive Fabric,1 | 2 | SNA |
| ..3 | | BN63-08804A | SHEET-INSULATOR SMPS;UD8000 60",PC,0.43, | 1 | SNA |
| ..3 | | BN68-03297Z | LABEL-TERMINAL BOTTOM;LD7000/8000,EO(S), | 1 | SNA |
| ..3 | | BN68-03298N | LABEL-TERMINAL SIDE;UD6000~6100,Europe,D | 1 | SNA |
| ..3 | | BN68-03518A | LABEL-STICKER;WW,ALL,70.6,72,LABEL-CI | 1 | SNA |
| 1 | | BN90-03542C | ASSY COVER MIDDLE;UD8000 60 | 1 | SNA |
| .2 | | 6001-002671 | SCREW-MACHINE;BH,+,M3,L6,ZPC(BLK),SWRCH1 | 18 | SA |
| .2 | M001A | BN96-17780B | ASSY COVER P-MIDDLE;UD8000 60,EO,PC+ABS, | 1 | SA |
| ..3 | CIS1 | 0203-001598 | TAPE-FILAMENT;#8915,0.15,12,55000,CLR | 0 | SNA |
| ..3 | M0081 | 6003-000115 | SCREW-TAPTYPE;BH,+,B,M3,L6,ZPC(BLK),SWRC | 3 | SNA |
| ..3 | | BN60-00162E | SPACER-FOAM;FOAM,50000mm,Dark Gray,0.5T, | 0 | SNA |
| ..3 | | BN61-06660A | BOSS-BOND;UC6900/8000,EPOXY,GREEN | 0 | SNA |
| ..3 | R002A | BN63-07909A | COVER-MIDDLE;UD8000 60,PC+ABS,G/F 10%,V2 | 1 | SNA |
| ..4 | | 0103-007609 | RESIN-PC ABS;HM-1100,K21294,BK0007,2.0mm | 1650 | SNA |
| ..3 | | BN68-00513E | LABEL-AMS;ams,-,art paper,-,10,38,-,whit | 1 | SNA |
| ..3 | | BN74-00052A | TAPE-PAPER;LB530,Crepe Paper,0.17mm, 10m | 0 | SNA |
| ..3 | FB05A | BN96-19433D | ASSY BOARD P;UD8Y 60",SJ11-01-003C,SUNGJ | 1 | SNA |
| ..3 | FB20A | BN96-19864C | ASSY BOARD P-TOUCH FUNCTION;UD8000,SJ11- | 1 | SA |
| 1 | S001A | BN90-03544C | ASSY STAND;UD8000 60,EUROPE | 1 | SNA |
| .2 | SB04A | BN96-16787B | ASSY STAND P-BASE;PD450/490 51,PC G/F 20 | 1 | SA |
| ..3 | SCREW | 6003-001782 | SCREW-TAPTYPE;BH,+,B,M4,L12,ZPC(BLK),SWR | 13 | SA |
| ..3 | SCREW | 6003-001785 | SCREW-TAPTYPE;FH,+,B,M4,L8,ZPC(BLK),SWRC | 4 | SA |
| ..3 | | BN61-07165A | HOLDER-SWIVEL, TOP;UD8000 60 QUAD, ACETAL, | 1 | SNA |
| ..3 | | BN61-07166A | HOLDER-SWIVEL, BOTTOM;UD8000 60 QUAD, ACET | 1 | SNA |
| ..3 | | BN61-07168A | BRACKET-SWIVEL, TOP;UD8000 60 QUAD, SPCC, Z | 1 | SNA |
| ..3 | | BN61-07170A | BRACKET-STAND-F,R;UD8000 60 QUAD, HGI, T3. | 4 | SNA |
| ..3 | | BN61-07304A | BRACKET-STAND, NECK;UD8000 60 QUAD, ALCOT, | 1 | SNA |
| ..3 | | BN63-05135E | COVER-SHEET;4-LEG, Rchm PE Vinyl, T0.05, W6 | 2 | SNA |
| ..3 | | BN63-07928B | COVER-STAND, BASE;UD8000 60 FOUR-LEG, HIPS | 1 | SNA |
| ..3 | | BN63-07929B | COVER-STAND, FRONT-LEFT;UD8000 60 FOUR-LE | 1 | SNA |
| ..3 | | BN63-07930B | COVER-STAND, FRONT-RIGHT;UD8000 60 FOUR-L | 1 | SNA |
| ..3 | | BN63-07931B | COVER-STAND, REAR-RIGHT;UD8000 60 FOUR-LE | 1 | SNA |

Exploded Views and Parts List

| Level | Loc. | Part Code | Description & Specification | Qty. | SA/SNA |
|-------|-------|-------------|--|------|--------|
| ...3 | | BN63-07932B | COVER-STAND,REAR-LEFT;UD8000 60 FOUR-LEG | 1 | SNA |
| ...3 | AR011 | BN73-00077A | RUBBER FOOT;MATISSE,BUMPON, 13.5,T2.0,G | 4 | SNA |
| ...3 | | BN74-00031A | GREASE;kanto-kasei FL-955,grease,wht | 1 | SNA |
| ...3 | | BN96-16917A | ASSY BRACKET P-SWIVEL BOTTOM;UD8000 60,Q | 1 | SNA |
| ...4 | | BN61-02428Q | STUD-PEM;PNA,M4,D7,L9.3,ZPC(SIL),SUM24L | 4 | SNA |
| ...4 | | BN61-07167A | BRACKET-SWIVEL,BOTTOM;UD8000 60 QUAD,SPC | 1 | SNA |
| .2 | SG03A | BN96-19958A | ASSY STAND P-GUIDE;UD8000 60,W/W,PC+G/F | 1 | SA |
| ...3 | T0524 | 6902-000110 | BAG PE;LDPE,T0.05,W250,L400,TRP,28,2,9.2 | 1 | SNA |
| ...3 | SG03 | BN61-07108A | GUIDE-STAND;UD8000 60,PC+G/F 20%,V2,BK00 | 1 | SNA |
| ...4 | | 0103-007285 | RESIN-PC;MW32020GFU,K032202GFV,BK0007,V2 | 425 | SNA |
| ...4 | | BN68-00513D | LABEL-RESIN;resin,-,art paper,-,10,25,-, | 1 | SNA |
| ...3 | | BN68-03389C | MANUAL FLYER-04,STAND GUIDE;U7000(32~55) | 1 | SNA |
| ...3 | | BN96-18013Q | ASSY ACCESSORY-SCREW;6003-001807,4EA,ZPC | 2 | SNA |
| ...4 | SCREW | 6003-001807 | SCREW-TAPTYPE;BH,S,M4,L10,ZPC(BLK),SWRCH | 8 | SA |
| ...4 | | BN69-05418F | PACKING-BAG SCREW;BN96-18013Q,-,BROWN, | 2 | SNA |
| 1 | | BN91-07651A | ASSY LCM-AMLCD VD;8K 60",BN95-00489A | 1 | SNA |
| .2 | PANEL | BN95-00489A | PRODUCT LCD;LTJ600HQ02-V,60 INCH,16:9,SP | 1 | SA |
| ...3 | M-P | 6001-002653 | SCREW-MACHINE;BH,+,M3,L6,ZPC(WHT),SWRCH1 | 4 | SA |
| ...3 | | 6001-002673 | SCREW-MACHINE;CH,+,M3.0,L4.0,Ni PLT,SWRC | 15 | SNA |
| ...3 | | 6001-002685 | SCREW-MACHINE;CH,+,M3.0,L2.0,Cr 3+ Red,S | 32 | SNA |
| ...3 | | BN67-00298C | RUBBER-CUSHION;RUBBER,1200,BLK,PVC | 1 | SNA |
| ...3 | | BN68-02471A | LABEL-STICKER;WW,Art Paper,80,40,AV | 1 | SNA |
| ...3 | | BN74-00053A | TAPE-PROTECTION;T460BE1-FB,T550BE1-FB,3M | 5 | SNA |
| ...3 | | BN90-03513A | ASSY MISC-BLU;SNB 60" | 1 | SNA |
| ...4 | | 6001-002675 | SCREW-MACHINE;CH,+,M2.0,L4.0,Ni PLT,SWRC | 18 | SA |
| ...4 | | BN61-07382A | HOLDER-SHEET;SNB 40/46/55,SUS416,0.2,32, | 6 | SNA |
| ...4 | | BN63-08312A | SHEET-DBEF;60" 8K, DBEF D3 340,SHEET,0.1 | 1 | SNA |
| ...4 | | BN63-08697A | SHEET-PRISM H;60" 8K, UTE33G,SHEET,0.1,1 | 1 | SNA |
| ...4 | | BN63-08698A | SHEET-DIFFUSER;60" 8K, UTE23C,SHEET,0.1, | 1 | SNA |
| ...4 | | BN63-08700A | SHEET-REFLECTOR;60" 8K SLP7-85R,SHEET,0. | 1 | SNA |
| ...4 | | BN74-00100A | TAPE-THERMAL;T460FBE1-FB,e-GRAF,200*100* | 4 | SNA |
| ...4 | | BN96-19620A | ASSY MISC P-LGP LED;SNB 60" 8K PMMA,Lent | 1 | SNA |
|5 | | BN61-07680A | LGP-LED;SNB 60" 8K PMMA,Lenticular,3T ,1 | 1 | SNA |
| ...4 | | BN96-19727A | ASSY FRAME P-MOLD MIDDLE (L);SNB 60" 8K, | 2 | SNA |
|5 | | BN02-00040A | TAPE DOUBLE FACE-MIDDLE;NNB 32/40/46/55, | 2 | SNA |
|5 | | BN60-00390A | SPACER-MIDDLE LR;SNB 60",SI(SH0140U)0.2T | 2 | SNA |
|5 | | BN60-00391A | SPACER-PANEL;SNB 60",SI(SH0140U)0.4T + A | 2 | SNA |
|5 | | BN61-07618A | FRAME-MOLD MIDDLE-LR;SNB 60",PC+GF,8,751 | 2 | SNA |
| ...4 | | BN96-19728A | ASSY MISC P-CHASSIS BOTTOM;SNB 60" 8K,BN | 1 | SNA |
|5 | | 6001-002617 | SCREW-MACHINE;CH,+,M3,L4,Ni_PLT (White), | 8 | SNA |

| Level | Loc. | Part Code | Description & Specification | Qty. | SA/SNA |
|-------|-------|-------------|--|------|--------|
|5 | | BN02-00034A | TAPE DOUBLE FACE-B;SNB 55",SK2100HE,0.05 | 1 | SNA |
|5 | | BN02-00035A | TAPE DOUBLE FACE-A;SNB 40", 55",SK2100HE | 2 | SNA |
|5 | | BN02-00041A | TAPE ETC-HEAT-SINK;NNB 32/40/46/55,MTU 1 | 16 | SNA |
|5 | | BN02-00048A | TAPE PET-HOLE;SNB 40",46",55",D263-100H, | 4 | SNA |
|5 | | BN02-00053A | TAPE ETC-REFLECTOR;SNB 60",SK2100HE,T0.0 | 4 | SNA |
|5 | | BN02-00056A | TAPE ETC-INSULATION;SNB 60",MKT-50D,0.43 | 1 | SNA |
|5 | | BN39-01537A | LEAD CONNECTOR-LEFT;SNB 60" Wire-harness | 1 | SNA |
|5 | | BN39-01538A | LEAD CONNECTOR-RIGHT;60" SNB wire-harnes | 1 | SNA |
|5 | | BN61-07318A | HOLDER-WIRE;SNB 40/46/55,SILICON RUBBER, | 1 | SNA |
|5 | | BN61-07424A | BRACKET-WALL MOUNT;NNB 32/40/46/55,SPCC, | 4 | SNA |
|5 | | BN61-07686A | HOLDER-LGP;SNB,EGI,3,0,4.1 | 2 | SNA |
|5 | | BN62-00148A | INSULATION-FFC;SNB 40/46/55,D263-100H,0. | 1 | SNA |
|5 | | BN62-00195A | INSULATION-POWER;NNB 55" 6K,PC-FILM(0.4 | 1 | SNA |
|5 | | BN62-00198A | INSULATION-S-PCB L;SNB 60",D263-100H,0.1 | 1 | SNA |
|5 | | BN62-00199A | INSULATION-S-PCB R;SNB 60",D263-100H,0.1 | 1 | SNA |
|5 | CC02 | BN64-01786A | CHASSIS-BOTTOM;SNB 60",AL 3104,1.5,1344, | 1 | SNA |
|5 | | BN74-00160A | TAPE-HOLE;SNB 40/46/55,D263-100H,12*70*0 | 4 | SNA |
|5 | | BN74-00161A | TAPE-WIRE;SNB 40/46/55,D263-100H,20*30*0 | 2 | SNA |
| ...4 | | BN96-19729A | ASSY FRAME P-MOLD MIDDLE (U);SNB 60" 8K, | 1 | SNA |
|5 | | BN61-07616A | FRAME-MOLD MIDDLE-U;SNB 60",PC+GF,8,1344 | 1 | SNA |
| ...4 | | BN96-19730A | ASSY FRAME P-MOLD MIDDLE (D);SNB 60" 8K, | 1 | SNA |
|5 | | BN02-00050A | TAPE DOUBLE FACE;SNB 55",SK2100HE,0.05,2 | 2 | SNA |
|5 | | BN60-00276A | SPACER-MIDDLE UD;SNB 46",SI(SH0140U)0.2T | 4 | SNA |
|5 | | BN61-07617A | FRAME-MOLD MIDDLE-D;SNB 60",PC+GF,8,1344 | 1 | SNA |
| ...4 | | BN96-19857A | ASSY MISC P-LED BAR L;60" 8K LCD_Left,L/ | 1 | SNA |
| ...4 | | BN96-19858A | ASSY MISC P-LED BAR R;60" 8K LCD_Right,L | 1 | SNA |
| ...3 | | BN96-19399A | ASSY OPEN CELL;LSJ600HQ01,LSJ600HQ01-V,8 | 1 | SNA |
| ...3 | TCON | BN96-19412A | ASSY T CON P-T-CON;LSJ600HQ01-S,LTJ600HQ | 1 | SA |
| ...3 | | BN96-19731A | ASSY COVER P-TOP CHASSIS;UD8000 60,STAIN | 1 | SNA |
| ...4 | | BN60-00395A | SPACER-COVER-TOP CHASSIS(UD);UD 8000 60" | 4 | SNA |
| ...4 | | BN60-00396A | SPACER-COVER-TOP CHASSIS(LR);UD 8000 60" | 2 | SNA |
| ...4 | | BN61-04692A | BOSS-PRIMER;#94,clear,35cps | 2 | SNA |
| ...4 | | BN61-06660A | BOSS-BOND;UC6900/8000,EPOXY,GREEN | 1 | SNA |
| ...4 | | BN63-07229G | COVER-SHEET;rose70",urethane,T0.052,W15m | 2 | SNA |
| ...4 | | BN63-07229H | COVER-SHEET;rose70",urethane,T0.052,W25m | 1 | SNA |
| ...4 | FD01 | BN63-07901A | COVER-DECORATION;UD8000 46,PC,Milky,tran | 1 | SNA |
| ...4 | | BN63-07910A | COVER-TOP,CHASSIS;UD8000 60,STAINLESS-ST | 1 | SNA |
| ...4 | | BN64-01606A | WINDOW-3D;UD8000 46,PC,Milky,translucenc | 1 | SNA |
| ...4 | FB04A | BN96-18098A | ASSY BLU P;UN46D8000YF***,M1011-3D,WHITE | 1 | SA |
| ...4 | | BN96-19733A | ASSY BRACKET P-FRONT TOP;UD8000 60,STAIN | 1 | SNA |

Exploded Views and Parts List

| Level | Loc. | Part Code | Description & Specification | Qty. | SA/SNA |
|-------|-------|-------------|---|------|--------|
| ...5 | | BN61-07145A | BRACKET-FRONT, TOP; UD8000 60, STAINLESS-ST | 1 | SNA |
| ...4 | | BN96-19734A | ASSY BRACKET P-LEFT; UD8000 60, STAINLESS- | 1 | SNA |
| ...5 | | BN61-07146A | BRACKET-FRONT, LEFT; UD8000 60, STAINLESS-S | 1 | SNA |
| ...4 | | BN96-19735A | ASSY BRACKET P-RIGHT; UD8000 60, STAINLESS | 1 | SNA |
| ...5 | | BN61-07148A | BRACKET-FRONT, RIGHT; UD8000 60, STAINLESS- | 1 | SNA |
| ...4 | | BN96-19736A | ASSY BRACKET P-BOT; UD8000 60, STAINLESS-S | 1 | SNA |
| ...5 | | BN61-04692A | BOSS-PRIMER; #94, clear, 35cps | 0 | SNA |
| ...5 | | BN61-07149A | BRACKET-FRONT, BOTTOM; UD8000 60, STAINLESS | 1 | SNA |
| ...5 | | BN61-07463A | BOSS-TAPE; UD8000, acryl, T0.25, W4, Transpar | 1 | SNA |
| ...3 | | BN96-19732A | ASSY COVER P-SOURCE; SNB 60" 8K, BN63-0858 | 1 | SNA |
| ...4 | | BN60-00173A | SPACER-SOURCE; T460FAE1-FA, W/SCRPOMTAPE, 1 | 8 | SNA |
| ...4 | | BN61-02932N | BRACKET-STOPPER NUT; LED TV, M3, L6.6, D7.0, | 4 | SNA |
| ...4 | | BN61-07359A | BRACKET-STOPPER NUT; LED TV D6500, 4.1*5.1 | 2 | SNA |
| ...4 | | BN61-07577A | BRACKET-STAND-OFF; H7, B5, H 7, B 5, HEX 'M', | 1 | SNA |
| ...4 | | BN62-00200A | INSULATION-S-COVER L; SNB 60", D263-100H, 0 | 1 | SNA |
| ...4 | | BN62-00201A | INSULATION-S-COVER R; SNB 60", D263-100H, 0 | 1 | SNA |
| ...4 | | BN63-08585A | COVER-SOURCE; SNB 60", EGI-SECC, 0.8T, 1308, | 1 | SNA |
| ...3 | SB05A | BN96-19789A | ASSY BRACKET P-STAND LINK; UD6500 60, EGI- | 1 | SNA |
| ...4 | | BN60-00184A | SPACER-FOAM; FOAM, 30000mm, DARK GRAY, 1T, 30 | 0 | SNA |
| ...4 | | BN61-02932L | BRACKET-STOPPER NUT; LED TV, M3*L7.5*D5.5, | 2 | SNA |
| ...4 | | BN61-02932M | BRACKET-STOPPER NUT; LED TV D6500, M4*D6*L | 4 | SNA |
| ...4 | CB18 | BN61-07111A | BRACKET-STAND LINK; 60UD8000, EGI-SECC, T3. | 1 | SNA |
| ...4 | CD101 | BN65-00011A | CLAMP-WIRE; 60UD6000, NYLON 66, NTR | 6 | SNA |
| 1 | M0017 | BN91-07956A | ASSY CHASSIS; UE60D8000YSXXC | 1 | SNA |
| ...2 | M0014 | BN94-05160A | ASSY PCB MAIN; UE60D8000YSXXC | 1 | SA |
| ...3 | | 0202-001608 | SOLDER-WIRE FLUX; LFC7-107, D0.8, 99.3Sn/0. | 0 | SNA |
| ...3 | HDP01 | BN61-06644A | HOLDER-PCB; LC750, NYNOL66, V0 | 1 | SA |
| ...3 | CB01 | BN61-07083Z | BRACKET-AV; UD7/8K, PCM, T0.45, BKN-P824, EUR | 1 | SNA |
| ...3 | | BN62-00192A | PAD GAP; UE40D8000YUXXU, SILICON, 35*70, 4.5 | 1 | SNA |
| ...3 | | BN97-05157B | ASSY SMD; UE46D8000YSXXC, BN94-04313B | 1 | SNA |
| ...4 | | 0202-001477 | SOLDER-CREAM; LST309-M, D20~45um, 96.5Sn/3A | 4 | SNA |
| ...4 | DS01A | 0401-001056 | DIODE-SWITCHING; MMBD4148SE, 100V, 200mA, SO | 17 | SA |
| ...4 | | 0403-001783 | DIODE-ZENER; BZB84-C6V2, 5.8/6.6V, 300mW, SO | 19 | SNA |
| ...4 | D0254 | 0404-001271 | DIODE-SCHOTTKY; SSA34, 40V, 3000mA, SMA, TP | 3 | SA |
| ...4 | D0254 | 0404-001404 | DIODE-SCHOTTKY; BAT721C, 40V, 200mA, SOT-23, | 5 | SA |
| ...4 | T0139 | 0406-001200 | DIODE-TVS; RCLAMP0504F, 6/-/V, 150W, SC-70 | 4 | SA |
| ...4 | | 0406-001290 | DIODE-TVS; 3.0SMCJ20A, 22.2/-/24.5V, 3000W, | 1 | SNA |
| ...4 | Q101 | 0501-000445 | TR-SMALL SIGNAL; KTC3875S-Y, NPN, 150mW, SOT | 4 | SC |
| ...4 | Q375 | 0504-000126 | TR-DIGITAL; KSR1101, NPN, 200mW, 4.7K/4.7Koh | 2 | SA |
| ...4 | Q806 | 0504-000152 | TR-DIGITAL; KSR2101, PNP, 200mW, 4.7K/4.7Koh | 1 | SA |

| Level | Loc. | Part Code | Description & Specification | Qty. | SA/SNA |
|-------|--------|-------------|--|------|--------|
| ...4 | CEQ2 | 0505-000110 | FET-SILICON;2N7002,N,60V,115mA,7.5ohm,0. | 4 | SA |
| ...4 | Q409 | 0505-002386 | FET-SILICON;AO3415AL,P,-20V,-4A,0.045ohm | 3 | SA |
| ...4 | | 0505-002854 | FET-SILICON;AO5404E,N,20V,0.5A,0.55ohm,0 | 1 | SNA |
| ...4 | | 0505-002894 | FET-SILICON;MMBFJ177LT1G,P,20mA,300ohm,0 | 1 | SNA |
| ...4 | IC104 | 0801-002630 | IC-CMOS LOGIC;74AHCT1G08,2-INPUT AND GAT | 1 | SA |
| ...4 | ND51C2 | 0801-002780 | IC-CMOS LOGIC;74LVC1G17,SCHMITT-TRIGGER | 1 | SA |
| ...4 | IC104 | 0801-003330 | IC-CMOS LOGIC;Octal buffer,DQFN,20P,4.5x | 3 | SA |
| ...4 | IC104 | 0802-001012 | IC-CMOS LOGIC;74LCX245,TRANSCEIVER,DQFN, | 1 | SNA |
| ...4 | | 0903-001705 | IC-MICROCOMPUTER;NXC1000,BGA,232P,14mm x | 1 | SA |
| ...4 | | 0904-002631 | IC-USC;QFN,28P,5.0mm X 5.0mm,12MHz,TP,PL | 2 | SA |
| ...4 | | 1001-001682 | IC-VIDEO SWITCH;BH76010FS,6INPUT-4OUTPUT | 1 | SA |
| ...4 | | 1001-001683 | IC-VIDEO SWITCH;Si9489ACTUC,QFP,128P,14 | 1 | SNA |
| ...4 | | 1001-001686 | IC-ANALOG MULTIPLEX;74LV4052,CMOS,TTSOP, | 1 | SA |
| ...4 | IC107 | 1002-001482 | IC-D/A CONVERTER;WM8521H9GED/R,16bit,SOI | 1 | SA |
| ...4 | IC108 | 1002-001483 | IC-A/D CONVERTER;WM8775SEDS/R,24Bit,SSOP | 1 | SA |
| ...4 | | 1103-001500 | IC-EEPROM;AT24C02C-SSHM-T,2Kbit,256x8,SO | 1 | SA |
| ...4 | | 1103-001506 | IC-EEPROM;M24512-RMN6TP,512Kbit,64Kx8,SO | 1 | SA |
| ...4 | | 1105-002127 | IC-DDR2 SDRAM;K4T51163QI-HCE7,512Mbit,32 | 1 | SA |
| ...4 | | 1105-002161 | IC-DDR3 SDRAM;K4B2G1646C-HCH9,1333 DDR3 | 4 | SNA |
| ...4 | | 1201-003158 | IC-POWER AMP;TAS5725,PQFP,48P,7x7mm,DUAL | 1 | SA |
| ...4 | T0087 | 1203-002519 | IC-POSI.FIXED REG.;KIA7809AF,DPAK,3P,240 | 1 | SA |
| ...4 | | 1203-004363 | IC-VOL. DETECTOR;RT9818C-29PV,SOT-23,3P, | 1 | SA |
| ...4 | IC012 | 1203-005756 | IC-POSI.ADJUST REG.;AP7173-SP,SOP-8L-EP, | 1 | SA |
| ...4 | | 1203-005988 | IC-DC/DC CONVERTER;TPS54620RGY,QFN,14P,3 | 1 | SA |
| ...4 | | 1203-006017 | IC-VOL. DETECTOR;RT9824GJ8,TSOT23,8P,2.9 | 1 | SA |
| ...4 | | 1203-006067 | IC-POWER SUPERVISOR;TPS2553DBVR,SOT-23,6 | 2 | SNA |
| ...4 | T0087 | 1203-006109 | IC-POSI.FIXED REG.;S-1206B33-M3T1G,SOT-2 | 1 | SA |
| ...4 | T0087 | 1203-006118 | IC-POSI.FIXED REG.;S-1172B18-U5T1G,SOT-8 | 1 | SA |
| ...4 | T0087 | 1203-006130 | IC-POSI.FIXED REG.;S-1172B25-U5T1G,SOT-8 | 1 | SA |
| ...4 | T0087 | 1203-006135 | IC-POSI.FIXED REG.;AP1117D-33-GZ-13-89,T | 2 | SA |
| ...4 | T0087 | 1203-006136 | IC-POSI.FIXED REG.;AP1117D-18-GZ-13-89,T | 1 | SA |
| ...4 | IC012 | 1203-006138 | IC-POSI.ADJUST REG.;AP1117DGZ-13-89,TO-2 | 1 | SA |
| ...4 | T0087 | 1203-006141 | IC-POSI.FIXED REG.;S-1172B33-U5T1G,SOT-8 | 1 | SA |
| ...4 | | 1203-006167 | IC-POSI.FIXED REG.;S-1172B12-U5T1G,SOT-8 | 1 | SA |
| ...4 | | 1203-006619 | IC-DC/DC CONVERTER;AOZ1033AI,SO-8,8P,4.9 | 3 | SA |
| ...4 | | 1203-006683 | IC-DC/DC CONVERTER;A8294SESTR-T,QFN,20P, | 1 | SNA |
| ...4 | IC118 | 1204-003101 | IC-VIDEO PROCESS;SDP94,PBGA,345P,19x19mm | 1 | SA |
| ...4 | | 1204-003212 | IC-DECODER;SDP1002,FCBGA,937P,35x35mm,PL | 1 | SA |
| ...4 | | 1205-003479 | IC-SWITCH;TPS2051BDBVR,SOT-23,5P,2.9x1.6 | 3 | SA |
| ...4 | | 1205-003834 | IC-ETHERNET CONTROLLER;RTL8201E-VC-GRT,Q | 1 | SA |

Exploded Views and Parts List

| Level | Loc. | Part Code | Description & Specification | Qty. | SA/SNA |
|-------|-------|-------------|--|------|--------|
| ...4 | | 1205-003840 | IC-CODEC;WM8595GEFL/RS,QFN,48P,7x7x0.9mm | 1 | SA |
| ...4 | | 1205-004184 | IC-SWITCH;G548A1F51U,SOP-8,8P,3.0x4.9mm, | 1 | SA |
| ...4 | | 1405-001271 | VARISTOR;20Vdc,5A,1.0x0.5x0.6mm,TP | 30 | SA |
| ...4 | R319 | 2007-000143 | R-CHIP;4.7Kohm,5%,1/16W,TP,1005 | 64 | SNA |
| ...4 | | 2007-000146 | R-CHIP;6.8Kohm,5%,1/16W,TP,1005 | 2 | SNA |
| ...4 | R104 | 2007-000148 | R-CHIP;10Kohm,5%,1/16W,TP,1005 | 6 | SA |
| ...4 | AR43 | 2007-000155 | R-CHIP;27Kohm,5%,1/16W,TP,1005 | 1 | SNA |
| ...4 | DR39 | 2007-000162 | R-CHIP;100Kohm,5%,1/16W,TP,1005 | 11 | SNA |
| ...4 | R509 | 2007-000170 | R-CHIP;1Mohm,5%,1/16W,TP,1005 | 5 | SNA |
| ...4 | R111 | 2007-000171 | R-CHIP;0ohm,5%,1/16W,TP,1005 | 33 | SNA |
| ...4 | HDR17 | 2007-000172 | R-CHIP;10ohm,5%,1/16W,TP,1005 | 8 | SNA |
| ...4 | R338 | 2007-000173 | R-CHIP;22ohm,5%,1/16W,TP,1005 | 39 | SNA |
| ...4 | | 2007-000231 | R-CHIP;1.3Kohm,1%,1/10W,TP,1608 | 2 | SA |
| ...4 | MR39 | 2007-000242 | R-CHIP;1.5Kohm,5%,1/16W,TP,1005 | 1 | SNA |
| ...4 | JR11 | 2007-000614 | R-CHIP;24Kohm,1%,1/10W,TP,1608 | 2 | SNA |
| ...4 | | 2007-000758 | R-CHIP;330Kohm,5%,1/16W,TP,1005 | 1 | SNA |
| ...4 | R19 | 2007-000763 | R-CHIP;330ohm,1%,1/10W,TP,1608 | 1 | SNA |
| ...4 | R124 | 2007-000775 | R-CHIP;33Kohm,5%,1/16W,TP,1005 | 1 | SNA |
| ...4 | DR37 | 2007-000932 | R-CHIP;470ohm,5%,1/16W,TP,1005 | 8 | SNA |
| ...4 | | 2007-001090 | R-CHIP;620ohm,1%,1/10W,TP,1608 | 1 | SA |
| ...4 | VR88 | 2007-001116 | R-CHIP;680ohm,1%,1/10W,TP,1608 | 1 | SA |
| ...4 | | 2007-001168 | R-CHIP;75ohm,5%,1/4W,TP,3216 | 2 | SA |
| ...4 | | 2007-001288 | R-CHIP;18ohm,5%,1/16W,TP,1005 | 4 | SA |
| ...4 | MR31 | 2007-001305 | R-CHIP;120ohm,5%,1/16W,TP,1005 | 1 | SNA |
| ...4 | CER07 | 2007-001308 | R-CHIP;200ohm,5%,1/16W,TP,1005 | 1 | SNA |
| ...4 | | 2007-001316 | R-CHIP;820ohm,5%,1/16W,TP,1005 | 1 | SA |
| ...4 | DR8 | 2007-007001 | R-CHIP;3.9Kohm,5%,1/16W,TP,1005 | 1 | SA |
| ...4 | | 2007-007008 | R-CHIP;300ohm,5%,1/16W,TP,1005 | 1 | SNA |
| ...4 | PR8 | 2007-007015 | R-CHIP;13Kohm,5%,1/16W,TP,1005 | 1 | SNA |
| ...4 | | 2007-007132 | R-CHIP;15Kohm,1%,1/16W,TP,1005 | 2 | SA |
| ...4 | | 2007-007134 | R-CHIP;39Kohm,1%,1/16W,TP,1005 | 1 | SA |
| ...4 | | 2007-007135 | R-CHIP;18Kohm,1%,1/16W,TP,1005 | 4 | SNA |
| ...4 | | 2007-007137 | R-CHIP;1.2Kohm,1%,1/16W,TP,1005 | 3 | SA |
| ...4 | | 2007-007139 | R-CHIP;47Kohm,1%,1/16W,TP,1005 | 28 | SA |
| ...4 | DR4 | 2007-007142 | R-CHIP;10Kohm,1%,1/16W,TP,1005 | 51 | SNA |
| ...4 | | 2007-007156 | R-CHIP;1ohm,5%,1/16W,TP,1005 | 7 | SNA |
| ...4 | | 2007-007306 | R-CHIP;100ohm,1%,1/16W,TP,1005 | 44 | SNA |
| ...4 | | 2007-007312 | R-CHIP;20Kohm,1%,1/16W,TP,1005 | 10 | SA |
| ...4 | | 2007-007318 | R-CHIP;1Kohm,1%,1/16W,TP,1005 | 30 | SNA |
| ...4 | HDR44 | 2007-007470 | R-CHIP;7.5Kohm,1%,1/16W,TP,1005 | 2 | SNA |

| Level | Loc. | Part Code | Description & Specification | Qty. | SA/SNA |
|-------|-------|-------------|--|------|--------|
| ...4 | | 2007-007488 | R-CHIP;75Kohm,1%,1/16W,TP,1005 | 1 | SNA |
| ...4 | | 2007-007517 | R-CHIP;240ohm,1%,1/16W,TP,1005 | 6 | SNA |
| ...4 | WR23 | 2007-007525 | R-CHIP;3.4Kohm,1%,1/10W,TP,1608 | 1 | SNA |
| ...4 | | 2007-007587 | R-CHIP;3.6Kohm,1%,1/16W,TP,1005 | 1 | SNA |
| ...4 | | 2007-007617 | R-CHIP;2.49Kohm,1%,1/10W,TP,1608 | 1 | SA |
| ...4 | | 2007-007698 | R-CHIP;5.1Kohm,1%,1/16W,TP,1005 | 1 | SNA |
| ...4 | | 2007-007724 | R-CHIP;40.2ohm,1%,1/10W,TP,1608 | 2 | SA |
| ...4 | | 2007-007766 | R-CHIP;2Kohm,1%,1/16W,TP,1005 | 23 | SNA |
| ...4 | | 2007-007947 | R-CHIP;36ohm,1%,1/10W,TP,1608 | 1 | SA |
| ...4 | MR11 | 2007-008015 | R-CHIP;75ohm,1%,1/16W,TP,1005 | 21 | SNA |
| ...4 | | 2007-008137 | R-CHIP;24Kohm,1%,1/16W,TP,1005 | 1 | SNA |
| ...4 | | 2007-008263 | R-CHIP;3Kohm,1%,1/16W,TP,1005 | 3 | SA |
| ...4 | | 2007-008275 | R-CHIP;30Kohm,1%,1/16W,TP,1005 | 1 | SNA |
| ...4 | | 2007-008294 | R-CHIP;33ohm,1%,1/16W,TP,1005 | 11 | SA |
| ...4 | | 2007-008391 | R-CHIP;6.34Kohm,1%,1/16W,TP,1005 | 2 | SA |
| ...4 | | 2007-008811 | R-CHIP;1.5ohm,5%,1/16W,TP,1005 | 1 | SA |
| ...4 | | 2007-009853 | R-CHIP;1.6Kohm,1%,1/16W,TP,1005 | 1 | SNA |
| ...4 | ZRN10 | 2011-001261 | R-NETWORK;33ohm,5%,1/16W,L,CHIP,8P,TP,2. | 6 | SA |
| ...4 | DAR09 | 2011-001262 | R-NETWORK;22ohm,5%,1/16W,L,CHIP,8P,TP,2. | 21 | SA |
| ...4 | | 2011-001345 | R-NETWORK;10Kohm,5%,1/16W,L,CHIP,8P,TP,2 | 3 | SA |
| ...4 | DRP29 | 2011-001396 | R-NETWORK;4.7Kohm,5%,1/16W,L,CHIP,8P,TP, | 2 | SA |
| ...4 | | 2011-001448 | R-NETWORK;10ohm,5%,1/16W,L,4P,T,1010 | 1 | SA |
| ...4 | | 2011-001449 | R-NETWORK;22ohm,5%,1/16W,L,4P,TP,1010 | 23 | SA |
| ...4 | | 2011-001506 | R-NETWORK;10Kohm,5%,1/16W,L,CHIP,4P,TP,1 | 3 | SNA |
| ...4 | | 2011-001527 | R-NETWORK;4.7Kohm,5%,1/16W,L,CHIP,4P,TP, | 11 | SNA |
| ...4 | | 2011-001585 | R-NETWORK;47ohm,5%,1/16W,L,CHIP-V,4P,TP, | 2 | SNA |
| ...4 | | 2011-001586 | R-NETWORK;1Kohm,5%,1/16W,L,CHIP-V,4P,TP, | 6 | SNA |
| ...4 | | 2011-001587 | R-NETWORK;100ohm,5%,1/16W,L,CHIP-V,4P,TP | 3 | SNA |
| ...4 | | 2011-001589 | R-NETWORK;0ohm,5%,1/16W,L,CHIP-V,4P,TP,1 | 24 | SNA |
| ...4 | | 2011-001590 | R-NETWORK;47Kohm,5%,1/16W,L,CHIP-V,4P,TP | 2 | SNA |
| ...4 | PC43 | 2203-000233 | C-CER,CHIP;0.1nF,5%,50V,C0G,TP,1005 | 11 | SA |
| ...4 | DC54 | 2203-000278 | C-CER,CHIP;0.01nF,0.5pF,50V,C0G,TP,1005 | 12 | SA |
| ...4 | DC2 | 2203-000330 | C-CER,CHIP;0.012nF,5%,50V,C0G,TP,1005 | 8 | SA |
| ...4 | DC1 | 2203-000386 | C-CER,CHIP;0.015nF,5%,50V,C0G,TP,1005 | 6 | SA |
| ...4 | MC302 | 2203-000425 | C-CER,CHIP;0.018nF,5%,50V,C0G,TP,1005 | 2 | SA |
| ...4 | C254 | 2203-000438 | C-CER,CHIP;1nF,10%,50V,X7R,TP,1005 | 12 | SA |
| ...4 | C507 | 2203-000489 | C-CER,CHIP;2.2nF,10%,50V,X7R,TP,1005 | 2 | SA |
| ...4 | V1233 | 2203-000575 | C-CER,CHIP;220nF,10%,25V,X7R,TP,2012 | 8 | SNA |
| ...4 | AD480 | 2203-000585 | C-CER,CHIP;0.22nF,10%,50V,X7R,1005 | 2 | SA |
| ...4 | AD480 | 2203-000714 | C-CER,CHIP;3.3nF,10%,50V,X7R,TP,1005,- | 9 | SA |

Exploded Views and Parts List

| Level | Loc. | Part Code | Description & Specification | Qty. | SA/SNA |
|-------|--------|--------------|--|------|--------|
| ...4 | DC25 | 2203-000812 | C-CER,CHIP;0.033nF,5%,50V,C0G,TP,1005 | 9 | SA |
| ...4 | AD480 | 2203-001414 | C-CER,CHIP;330nF,10%,50V,X7R,TP,2012 | 3 | SNA |
| ...4 | AD480 | 2203-001851 | C-CER,CHIP;0.016nF,5%,50V,NP0,1608 | 2 | SNA |
| ...4 | AD480 | 2203-002285 | C-CER,CHIP;10nF,10%,50V,X7R,TP,1005 | 17 | SNA |
| ...4 | DC18 | 2203-005138 | C-CER,CHIP;1.8nF,10%,50V,X7R,1005 | 6 | SA |
| ...4 | C231 | 2203-005221 | C-CER,CHIP;15nF,10%,50V,X7R,1608 | 1 | SNA |
| ...4 | AAC1 | 2203-005249 | C-CER,CHIP;100nF,10%,50V,X7R,TP,1608 | 19 | SNA |
| ...4 | AD480 | 2203-005344 | C-CER,CHIP;22nF,10%,25V,X7R,TP,1005,0.5T | 5 | SNA |
| ...4 | PC8 | 2203-005642 | C-CER,CHIP;0.22nF,5%,50V,NP0,1005 | 1 | SNA |
| ...4 | AD480 | 2203-005968 | C-CER,CHIP;4.7nF,10%,50V,X7R,TP,1005,0.5 | 3 | SNA |
| ...4 | VC37 | 2203-006048 | C-CER,CHIP;100nF,10%,10V,X7R,TP,1005 | 202 | SA |
| ...4 | AD480 | 2203-006126 | C-CER,CHIP;47nF,10%,16V,X7R,TP,1005 | 7 | SNA |
| ...4 | C102 | 2203-006158 | C-CER,CHIP;100nF,10%,16V,X7R,TP,1005,0.5 | 25 | SNA |
| ...4 | C802 | 2203-006348 | C-CER,CHIP;1000nF,10%,25V,X5R,TP,1608,0. | 2 | SA |
| ...4 | C125 | 2203-006361 | C-CER,CHIP;10000nF,10%,10V,X5R,TP,2012 | 78 | SC |
| ...4 | HE4 | 2203-006474 | C-CER,CHIP;22000nF,20%,6.3V,X5R,2012 | 8 | SA |
| ...4 | HDC11 | 2203-006562 | C-CER,CHIP;1000nF,10%,10V,X5R,TP,1005 | 44 | SNA |
| ...4 | AD480 | 2203-006824 | C-CER,CHIP;4700nF,10%,10V,X5R,1608 | 17 | SNA |
| ...4 | AD480 | 2203-006841 | C-CER,CHIP;1000nF,10%,16V,X5R,TP,1005 | 1 | SNA |
| ...4 | C23 | 2203-006890 | C-CER,CHIP;10000nF,20%,6.3V,X5R,1608 | 2 | SNA |
| ...4 | AD480 | 2203-006992 | C-CER,CHIP;0.33nF,5%,50V,C0G,TP,1005 | 6 | SNA |
| ...4 | AD480 | 2203-007176 | C-CER,CHIP;10000nF,10%,16V,X5R,TP,2012,1 | 9 | SNA |
| ...4 | AD480 | 2203-007233 | C-CER,CHIP;22000nF,10%,16V,X5R,TP,3216,1 | 2 | SA |
| ...4 | AD480 | 2203-007513 | C-CER,CHIP;10000nF,10%,10V,X5R,TP,1608,0 | 14 | SA |
| ...4 | | 2402-001403 | C-AL,SMD;100uF,20%,35V,TP,10.3X10.3 | 2 | SNA |
| ...4 | | 2409-001118 | C-POLYMER ,CHIP;47uF,+20,10V,WT,REEL,3. | 2 | SA |
| ...4 | | 2503-001051 | C-NETWORK;100nFx4,20%,16V,2012 | 1 | SA |
| ...4 | T0052 | 2703-000125 | INDUCTOR-SMD;10uH,10%,2012 | 4 | SA |
| ...4 | T0052 | 2703-000158 | INDUCTOR-SMD;1uH,10%,2012 | 4 | SA |
| ...4 | S1Q036 | 12703-000408 | INDUCTOR-SMD;3.3uH,20%,3225 | 1 | SA |
| ...4 | T0052 | 2703-003713 | INDUCTOR-SMD;1.5uH,20%,7366 | 1 | SA |
| ...4 | T0052 | 2703-003790 | INDUCTOR-SMD;4.7uH,20%,8080 | 3 | SA |
| ...4 | | 2703-003879 | INDUCTOR-SMD;33uH,20%,10.0mmX10.0mm | 1 | SA |
| ...4 | | 2703-003930 | INDUCTOR-SMD;4.7uH,20%,5050 | 4 | SA |
| ...4 | X202 | 2801-003948 | CRYSTAL-SMD;12MHz,30ppm,28-AAN,12pF,60oh | 1 | SA |
| ...4 | PX1 | 2801-004021 | CRYSTAL-SMD;24.576MHz,20ppm,28-AAN,12pF, | 1 | SA |
| ...4 | X202 | 2801-004629 | CRYSTAL-SMD;27MHz,20ppm,12pF,50ohm,TP | 1 | SNA |
| ...4 | X202 | 2801-004734 | CRYSTAL-SMD;25.000000MHz,20ppm,28-AAN,12 | 1 | SA |
| ...4 | X202 | 2801-004774 | CRYSTAL-SMD;24MHz,30ppm,14pF,30ohm,TP | 2 | SA |
| ...4 | X202 | 2801-004775 | CRYSTAL-SMD;12MHz,30ppm,16pF,30ohm,TP | 2 | SNA |

| Level | Loc. | Part Code | Description & Specification | Qty. | SA/SNA |
|-------|--------|-------------|--|------|--------|
| ...4 | X202 | 2801-004868 | CRYSTAL-SMD;12MHz,50ppm,8pF,100ohm,TP | 1 | SA |
| ...4 | F103 | 2901-001506 | FILTER-EMI SMD;5V,0.13A,0pF,2x1x0.5mm,TP | 2 | SA |
| ...4 | DR32 | 3301-000314 | BEAD-SMD;120ohm,1608,TP | 5 | SNA |
| ...4 | T0568 | 3301-002039 | BEAD-SMD;26ohm,1608,TP | 58 | SA |
| ...4 | F201 | 3601-001374 | FUSE-SURFACE MOUNT;32V,5A,FAST-ACTING,Hi | 1 | SA |
| ...4 | CN401 | 3701-001724 | CONNECTOR-DSUB;15P,3ROW,FEMALE,ANGLE,NI | 1 | SA |
| ...4 | CN601 | 3701-001736 | CONNECTOR-HDMI;19P,2ROW,FEMALE,SMD-A | 4 | SA |
| ...4 | CN303 | 3707-001104 | CONNECTOR-OPTICAL;SMD-A(Ultra Slim),SPDI | 1 | SA |
| ...4 | | 3710-002276 | SOCKET-INTERFACE;24P,1R,0.5mm,SMD-A,AU,B | 2 | SC |
| ...4 | | 3710-003374 | CONNECTOR-SOCKET;64P,2R,0.5mm,ANGLE,NI+S | 1 | SA |
| ...4 | HB01A | 3711-005509 | HEADER-BOARD TO CABLE;BOX,4P,1R,1.25mm,S | 1 | SA |
| ...4 | HB01A | 3711-005925 | HEADER-BOARD TO CABLE;BOX,51P,1R,0.5mm,S | 1 | SA |
| ...4 | HB01A | 3711-007319 | HEADER-BOARD TO CABLE;SMD,4P,1R,2.50mm,S | 1 | SA |
| ...4 | | 3711-007571 | CONNECTOR-HEADER;BOX,18P,2R,2.0mm,ANGLE, | 1 | SA |
| ...4 | | 3711-007739 | HEADER-BOARD TO BOARD;BOX,28P,2R,2mm,SMD | 1 | SA |
| ...4 | CN1501 | 3722-003044 | JACK-USB;4P/1C,NI,BLK,SMD-A,A-TYPE | 3 | SA |
| ...4 | CN302 | 3722-003158 | JACK-PHONE;1/6P,NI,BLK,ANGLE | 2 | SA |
| ...4 | CN1701 | 3722-003199 | JACK-MODULAR;8P/8C,ANGLE,AU,1P | 1 | SA |
| ...4 | CN501 | 3722-003207 | JACK-PHONE;2P/9C,AU,LIMEGRN,SMD-A(DIP) | 1 | SA |
| ...4 | ET01 | BN40-00217A | TUNER;DNSS243VH142A,DNSS243VH142A,DVB-TC | 1 | SA |
| ...4 | | BN41-01622C | PCB MAIN;UD8000,FR-4,4,B,1.2,192*240 | 1 | SNA |
| ...4 | | BN97-05297A | ASSY MICOM;T-GENCPLD-0004,2011.05.13 | 1 | SNA |
|5 | | 1301-001969 | IC-CPLD;EPM240T100C4N,TQFP,100P,16x16mm, | 1 | SNA |
| ...4 | | BN97-05312A | ASSY MICOM-SUB;T-GENDEUS1-XXXX.BIN,0903- | 1 | SNA |
|5 | | 0903-001718 | IC-MICROCONTROLLER;61P805-RG480WT,LQFP,4 | 1 | SNA |
| ...4 | | BN97-05755A | ASSY MICOM-MAIN;T-GAP8DEUC-1013.3,2011.0 | 1 | SNA |
|5 | | 1107-001983 | IC-NAND FLASH;SDIN5D2-2G-944D,2GByte,BGA | 1 | SNA |
|5 | | 1107-001990 | IC-NAND FLASH;KFG1GN6W2D-HIB6,1Gbit,64Mx | 1 | SA |
| ...3 | | BN97-06149A | ASSY DRM-KEY CODE-ASS'Y;COM_010,TV,-,Eur | 1 | SNA |
| ...4 | | BN46-00109H | KEY CODE-CERTIFI;MAC,TV/AV,General | 1 | SNA |
| ...4 | | BN46-00115B | KEY CODE-CERTIFI;CI+,TV,GENOA,Euro | 1 | SNA |
| 1 | | BN91-07957B | ASSY SHIELD;UE60D8000YSXRU | 1 | SNA |
| .2 | CIS1 | 0203-001586 | TAPE-FILAMENT;#893,0.15,30,55,WHT,FILAME | 0 | SNA |
| .2 | M-P | 6001-002653 | SCREW-MACHINE;BH,+,M3,L6,ZPC(WHT),SWRCH1 | 16 | SA |
| .2 | | BN39-01471E | LEAD CONNECTOR-WIFI;UN37D6500,Cable Conn | 1 | SA |
| .2 | | BN39-01472D | LEAD CONNECTOR-DECO CABLE;D8K 60",Cable | 1 | SA |
| .2 | | BN39-01478D | LEAD CONNECTOR-POWER CABLE;D7K 60",Cable | 1 | SA |
| .2 | P001A | BN44-00429A | DC VSS-LED TV PD BD;PD60B2_BDY,PD60B2_BD | 1 | SA |
| .2 | NW01 | BN59-01130A | NETWORK;WiDT-10,BCM43236,Internal WiFi,U | 1 | SA |
| .2 | | BN63-03734A | GASKET;UBISYNC 19,Conductive Fabric,1.3, | 3 | SNA |

Exploded Views and Parts List

| Level | Loc. | Part Code | Description & Specification | Qty. | SA/SNA |
|-------|-------|-------------|--|------|--------|
| .2 | FL06 | BN96-17116T | ASSY CABLE P-FFC;UD7K~8K 60",FFC,449mm,5 | 1 | SA |
| .2 | | BN96-18100C | ASSY BOARD P-IR & 3D;UD8000 60",CT5000-873 | 1 | SA |
| .2 | SP01A | BN96-20054A | ASSY SPEAKER P;6ohm,4pin,15W,UD7000/8000 | 1 | SA |
| 1 | | BN92-07916L | ASSY LABEL;UE60D8000YSXXC | 1 | SNA |
| .2 | | BN68-03542E | LABEL-01,TV POP;5500,PET,T0.1,100,100,Wh | 1 | SNA |
| .2 | T0527 | BP68-00052B | LABEL-00,RATING;CCTV,TETRON PAPER,T0.05, | 1 | SNA |
| 1 | | BN92-08872F | ASSY BOX;UD8000 60,EUROPE | 1 | SNA |
| .2 | | BH68-00662A | LABEL BOX-00;ALL MODEL,MOJO 90G,60,110,W | 1 | SNA |
| .2 | | BN69-06710G | BOX-SET,OUT;60UD8000-FS,CB,C-03,DW3,YEL, | 1 | SNA |
| .2 | | BN69-06711A | BOX-SET,IN;60UD6500,CB,C-01,DW1,YEL,W201 | 1 | SNA |
| 1 | | BN92-08873A | ASSY P/MATERIAL;UD8000 60,W/W | 1 | SNA |
| .2 | T0214 | 0203-001269 | TAPE-OPP MASKING;#301,T0.06,W75,L50000,N | 1 | SNA |
| .2 | | 6902-000379 | BAG AIR;LDPE,T0.2,W1000,L1800,TRP,1260.0 | 1 | SNA |
| .2 | T0524 | 6902-000960 | BAG PE;NITRON,T0.015/T0.5,W1600,L1100,TR | 1 | SA |
| .2 | M040 | 6922-000003 | BAND PP;PP,T0.8,W18,L1650M,TRP,DA69-9014 | 2 | SNA |
| .2 | T0214 | AA61-20285C | HOLDER-BOX;CORAL,PP,BLACK,HB,17.5g | 4 | SNA |
| .2 | | BN68-02422B | LABEL-WARNING SHIPPING;ALL MODEL,A/P 100 | 1 | SNA |
| .2 | | BN69-00257E | PACKING-BAG SHEET;-,-,CB,-,1400,500,-,-,WH | 2 | SNA |
| .2 | | BN69-00257W | PACKING-SHEET PALLET;PACKING SHEET PALLE | 1 | SNA |
| .2 | | BN69-03982D | PAD PACKING-EDGE;LB6T,PAPER,6,120,1900,- | 1 | SNA |
| .2 | | BN69-05181T | PALLET;PALLET,WOOD,-,1170,1700,135,22000 | 1 | SNA |
| .2 | | BN69-05418A | PACKING-BAG WRAPPING;-,-,LDPE,-,0,019,500, | 5 | SNA |
| .2 | | BN69-05604A | CUSHION-FRONT;PROTON 46"/55",EPS,16.7g/l | 1 | SNA |
| .2 | | BN69-05775A | CUSHION-SET;60UD8000-FS,EPS,16.7g/l | 1 | SNA |
| .2 | | BN69-06642B | PACKING-PAD;PAD,PAPER,-,-,CB-SW4,1500,11 | 1 | SNA |
| .2 | | BN74-00008D | TAPE-OPP MASKING;OPP,T0.05,W75,L800M,CLR | 2 | SNA |
| 1 | ACCE1 | BN92-09045A | ASSY ACCESSORY;UE60D8000YSXXC | 1 | SNA |
| .2 | ACCE4 | BN96-17130S | ASSY ACCESSORY-MANUAL;UE60D8000YSXXC | 1 | SNA |
| ..3 | | 6902-000476 | BAG PE;LDPE,T0.03,W250,L350,TRP,Recycle, | 1 | SNA |
| ..3 | | BN68-00514K | MANUAL FLYER-WARRANTY CARD;comm,Samsung, | 1 | SNA |
| ..3 | | BN68-03019A | LEAFLET-SAFETY GUIDE;ALL,SAMSUNG,28LENGS | 1 | SNA |
| ..3 | | BN68-03442M | MANUAL USERS;UD8000,SAMSUNG,ENG/FRA/SPA/ | 1 | SNA |
| ..3 | | BN68-03533A | MANUAL FLYER-01,3D GLASSES GUI;All,SAMSU | 1 | SNA |
| ..3 | | BN68-03602A | MANUAL FLYER-01,SAMART TV GUIDE;UD5500 ~ | 1 | SNA |
| ..3 | | BN68-03608E | LEAFLET-02,ACCESSORY GUIDE;All,SAMSUNG,E | 1 | SNA |
| ..3 | | BN68-03784A | LEAFLET-CE DOC GUIDE;UD6500 ~ UD9500,SAM | 1 | SNA |
| .2 | SG01A | BN96-18234A | ASSY ACCESSORY 3D GLASSES;SSG-3100GB,1ea | 2 | SA |
| ..3 | | BN81-06402A | A/S-GLASSES;SSG-3100GB,LC LENS | 2 | SA |
| ..3 | | BN81-06590A | A/S-COVER TEMPLE;SSG-3100GB,PA12-TR90,CO | 2 | SNA |
| ..3 | | BN81-06591A | A/S-COVER BATTERY;SSG-3100GB,PC + ABS,CO | 2 | SNA |

| Level | Loc. | Part Code | Description & Specification | Qty. | SA/SNA |
|-------|-------|-------------|--|------|--------|
| ..2 | ACCE2 | BN96-20947Y | ASSY ACCESSORY-CABLE;UE60D8000YSXRU | 1 | SNA |
| ..3 | | 3709-001663 | CONNECTOR-CARD EDGE;64P,0.5mm,MALE,PCMC | 1 | SA |
| ..3 | EC11 | 3903-000525 | CBF-POWER CORD;DT,CEE,LP-21L,250V,2.5A,B | 1 | SA |
| ..3 | T0120 | 4301-000121 | BATTERY-MN;1.5V,R03,10.5x44.5m,HOLDER,7. | 2 | SNA |
| ..3 | | 6902-001340 | BAG PE;LDPE,T0.05,W250,L350,TRP,RECYCLE | 1 | SNA |
| ..3 | REMO2 | AA59-00543A | REMOCON;TM1170,49Key,35mA,3V,EU | 1 | SA |
| ..3 | EC03 | BN39-01154A | CBF SIGNAL;Chelsea Slim,24P/20P,30AWG,20 | 2 | SA |
| ..3 | EC03 | BN39-01154W | CBF SIGNAL;COMPONENT GENDER / UD8000,2P, | 1 | SA |
| ..3 | | BN61-05491A | HOLDER-WIRE STAND;UB7000 46inch,NYRON | 1 | SNA |
| ..3 | M9889 | BN63-01798B | CLOTH-CLEAN;CLOTH,180,200,sea blue,ToC | 1 | SNA |
| ..3 | T0527 | BN68-00513A | LABEL-E,PASS;ALL MODEL,YUPO(110G),50X15, | 1 | SNA |
| ..3 | EH03A | BN96-18153A | ASSY HOLDER P-RING;11 LED-TV | 1 | SNA |
| ...4 | | 6902-001404 | BAG ZIPPER;LDPE,T0.05,W80,L100,TRP | 1 | SNA |
| ...4 | AH365 | BN61-07295A | HOLDER-RING;40UD5500,ABS,BK0007,HB | 4 | SNA |