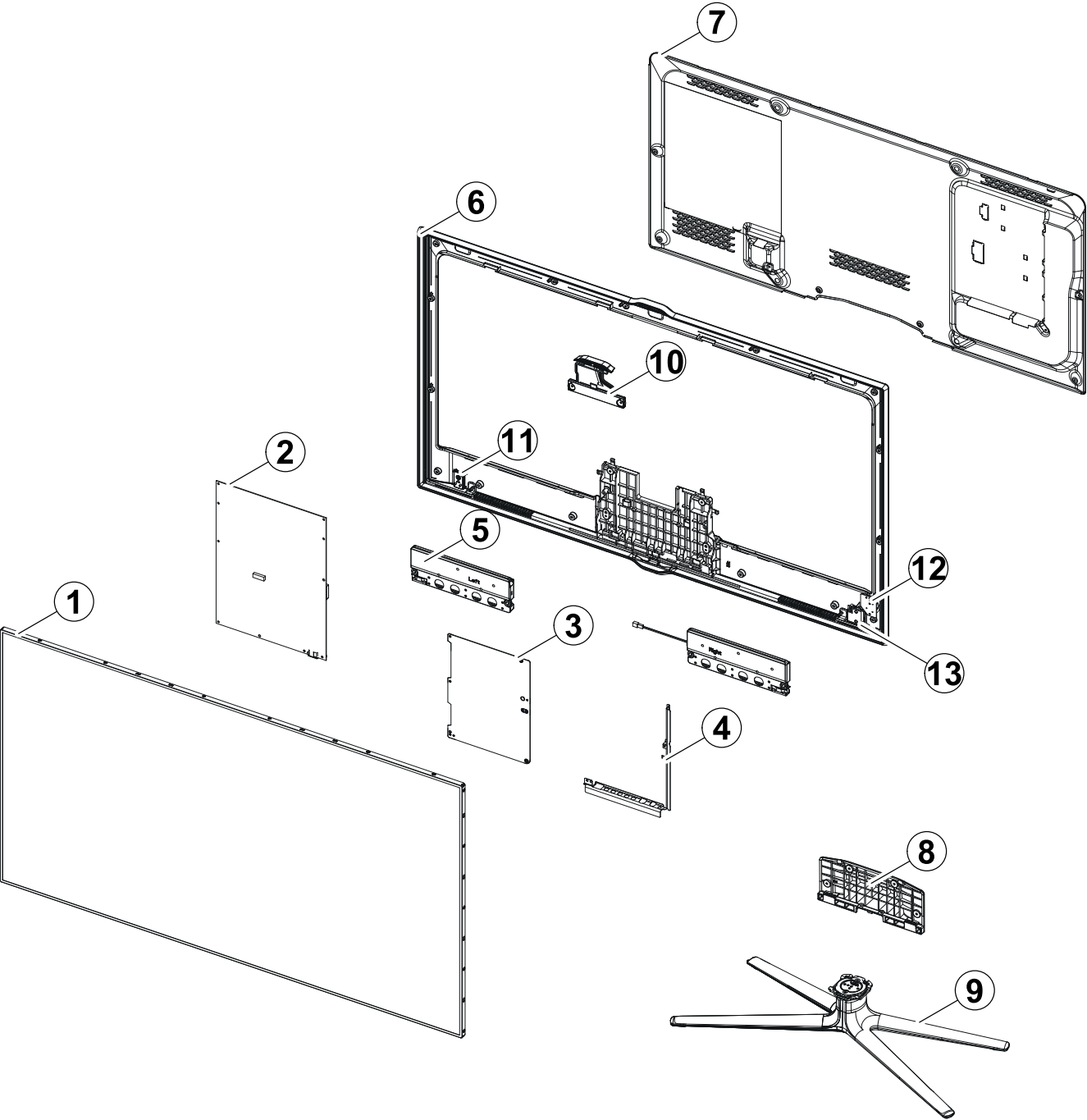


1. Exploded View & Part List

Exploded View



Parts List

No.	Lvl.	Loc.	Material Code	Description & Specification	SNA	Qty.
1	2		BN95-00817A	PRODUCT LCD-AMLCD; 7K,LTJ460HQ27-V,8bits,	SC	1
2	2	P001A	BN44-00522A	DC VSS-LED TV PD BD; PD46B2Q_CSM,PSLF131Q	SC	1
3	2	M0014	BN94-06123E	ASSY PCB MAIN; UE7X,ES7000	SA	1
4	3	CB01	BN61-07938B	BRACKET-AV; UE8000 55",PCM,T0.4,EO	SNA	1
5	2	SP01A	BN96-16798F	ASSY SPEAKER P; 6ohm,4pin,10W,E7000/8000	SA	1
6	2	M001A	BN96-21870B	ASSY COVER P-MIDDLE; UE7000 46,EO,PC+PC/A	SA	1
7	2	R001A	BN96-21943D	ASSY COVER P-REAR; UE8000,46,EO,PCM T0.4,	SA	1
8	2	SG01A	BN96-22770C	ASSY GUIDE P-STAND; UE7000,46,W/W,PC+G/F	SC	1
9	2	SB04A	BN96-16721G	ASSY STAND P-BASE; UD8000 46,QUAD(NEW),AB	SA	1
10	3		BN81-07135A	A/S-CAMERA & IR; 12Y LED 7K,W/O BOARD P-C	SA	1
11	4	BT	BN96-21431B	ASSY BOARD P-RF-MODULE; Bluetooth Module,	SA	1
12	4	5WAY	BN96-22726A	ASSY BOARD P-5WAY SWITCH FUNCTION; E7000/	SA	1
13	2	NW01	BN59-01148C	NETWORK; WIDT-20R,Internal WiFi,USB,34x36	SC	1

2. Electrical Parts List

Level	Loc.	Part Code	Description & Specification	Qty.	SA/SNA
			UE46ES7000SXXC (VT04)		
1		BN90-03784B	ASSY COVER MIDDLE;UE7000 46	1	SNA
.2	M001A	BN96-21870B	ASSY COVER P-MIDDLE;UE7000 46,EO,PC+PC/A	1	SA
..3	M0081	6003-000115	SCREW-TAPTYPE;BH,+,B,M3,L6,ZPC(BLK),SWRC	4	SNA
..3		BN39-01472F	LEAD CONNECTOR-DECO CABLE;D8K 55",Cable	1	SA
..3		BN60-00577A	SPACER-SPONGE;UE7000/UE7500,URETHANE,115	1	SNA
..3		BN63-07556T	COVER-SHEET;TOC,urethane,T0.068,W22mm,10	1	SNA
..3		BN63-08608B	COVER-SHEET;Rhcm,PE Vinyl,T 0.04,80MM,20	3	SNA
..3	R002A	BN63-09199B	COVER-MIDDLE;UE7000 46,EO,PC+PC/ABS,V2,T	1	SNA
...4		0103-007268	RESIN-PC;TN-1045M,70784,TP0010,0.8, 3.0	544	SNA
...4		0103-007678	RESIN-PC ABS;CF210M,6209G,BK0007,V-2	1.5	902
..3		BN68-00513E	LABEL-AMS;ams,-,art paper,-,10,38,-,whit	1	SNA
..3	FB05A	BN96-22726B	ASSY BOARD P;UE46ES8000UXXU,SUNGJI,funti	1	SNA
..4	EC13	BN39-01643B	LEAD CONNECTOR;UE46ES8000,Cable Connecto	1	SA
..4	NW01	BN59-01148C	NETWORK;WIDT-20R,Internal WiFi,USB,34x36	1	SC
..4	BT	BN96-21431B	ASSY BOARD P-RF-MODULE;Bluetooth Module,	1	SA
..4	5WAY	BN96-22726A	ASSY BOARD P-5WAY SWITCH FUNCTION;E7000/	1	SA
..3	FB04A	BN96-24100A	ASSY BLU P;UN46ES7000FXZA,M12-8000,WHITE	1	SA
1	R001A	BN90-03808D	ASSY COVER REAR;UE8000,46,EO	1	SNA
.2		6001-002755	SCREW-MACHINE;BH,+,M3,L6,ZPC(BLK),SWRCH1	6	SA
.2	SCREW	6003-001782	SCREW-TAPTYPE;BH,+,B,M4,L12,ZPC(BLK),SWR	2	SA
.2	R001A	BN96-21943D	ASSY COVER P-REAR;UE8000,46,EO,PCM T0.4,	1	SA
..3		BN60-00162Y	SPACER-FOAM;FOAM,50000mm,Dark Gray,0.35T	0	SNA
..3	R001	BN63-07841L	COVER-REAR;UE8000 46INCH, Echo-P,PCM,T0.	1	SNA
..3		BN63-08178A	SHEET-INSULATOR SMPS;UD6500 40"46"55",PC	1	SNA
..3		BN63-08262A	EARTH-PLATE;UD6500,STAINLESS-ST304,0.15	3	SNA
..3		BN68-03518A	LABEL-STICKER;WW,ALL,70.6,72,LABEL-CI	1	SNA
..3		BN68-03947A	LABEL-TERMINAL SIDE;LED 7K,8K,PET,T0.05,	1	SNA
..3		BN68-03948D	LABEL-TERMINAL BOTTOM;LED 7K,8K, EO/CIS,	1	SNA
..3		BN68-04094A	LABEL-EVOLUTION KIT;WW, Echo-P,-,A/P,-,7	1	SA
1	S001A	BN90-03915C	ASSY STAND;UE7000 46	1	SNA
.2	SB04A	BN96-16721G	ASSY STAND P-BASE;UD8000 46,QUAD(NEW),AB	1	SA
..3	T0081	6002-001294	SCREW-TAPPING;BH,+,M4,L16,ZPC(BLK)	9	SA
..3	SCREW	6003-001785	SCREW-TAPTYPE;FH,+,B,M4,L8,ZPC(BLK),SWRC	4	SA
..3		BN61-07159A	HOLDER-SWIVEL, TOP;UD8000 46/55 QUAD,ACET	1	SNA
..3		BN61-07160A	HOLDER-SWIVEL,BOTTOM;UD8000 46/55 QUAD,A	1	SNA
..3		BN61-07161A	BRACKET-STAND,FRONT;UD8000 46 QUAD,HGI,T	1	SNA
..3		BN61-07162A	BRACKET-STAND,REAR;UD8000 46 QUAD,HGI,T3	1	SNA

Exploded Views and Parts List

Level	Loc.	Part Code	Description & Specification	Qty.	SA/SNA
...3		BN61-07330A	HOLDER-STAND,NECK;UD8000 46 QUAD,PC,G/F	1	SNA
...3		BN61-07739A	BRACKET-SWIVEL,BOTTOM;UD8000 46/55 QUAD,	1	SNA
...3		BN61-07745A	BRACKET-SWIVEL,TOP;UD8000 46"/55" QUAD,S	1	SNA
...3		BN63-05135E	COVER-SHEET;4-LEG,Rhcm PE Vinyl,T0.05,W6	2	SNA
...3		BN63-07922B	COVER-STAND,BASE;UD8000 46,QUAD,ABS+PC,V	1	SNA
...4		0103-005041	RESIN-PC;FR3200TV,901408,BK0008,1.2mm V-	186	SNA
...3		BN63-07923B	COVER-STAND,FRONT-RIGHT;UD8000 46,QUAD,A	1	SNA
...3		BN63-07924B	COVER-STAND,REAR-RIGHT;UD8000 46,QUAD,AB	1	SNA
...3		BN63-07925B	COVER-STAND,FRONT-LEFT;UD8000 46,QUAD,AB	1	SNA
...3		BN63-07926B	COVER-STAND,REAR-LEFT;UD8000 46,QUAD,ABS	1	SNA
...3		BN67-00385E	RUBBER-FOOT;RUBBER-FOOT,SILICONE,ROUND,1	4	SNA
...3		BN74-00031A	GREASE;SMART F & S FLC-512,GREASE,WHT	1	SNA
...3	T0382	BP61-00495C	HOLDER-CARE;PJT,ACRYL-FOAM,T0.25,W30.0mm	0	SNA
.2	SG01A	BN96-22770C	ASSY GUIDE P-STAND;UE7000,46,W/W,PC+G/F	1	SC
...3	T0524	6902-001063	BAG PE;LDPE,T0.05,W180,L350,TRP,RECYCLE	1	SNA
...3	SG03	BN61-07057A	GUIDE-STAND;UD5000 37,PC+G/F 20%,V2,BK00	1	SNA
...4		0103-007285	RESIN-PC;MW32020GFU,K032202GFV,BK0007,V2	280	SNA
...4		BN68-00513D	LABEL-RESIN;resin,-,art paper,-,10,25,-,	1	SNA
...3		BN68-04186C	MANUAL FLYER-04,STAND GUIDE;UE7000(40/46	1	SNA
...3		BN96-18013E	ASSY ACCESSORY-SCREW;6003-001782,4EA,ALL	2	SNA
...4	SCREW	6003-001782	SCREW-TAPTYPE;BH,+ ,B,M4,L12,ZPC(BLK),SWR	8	SA
...4		BN69-05418B	PACKING-BAG SCREW;BN96-18013E,CB,-,GREEN	2	SNA
1		BN91-06494G	ASSY SHIELD;UE7X,E7000	1	SNA
.2		BN02-00102B	TAPE FILAMENT;UE7000,#893,0.15,25,50,WHI	0	SNA
.2	EC13	BN39-01475C	LEAD CONNECTOR;UN46C6400,Falt Connector,	1	SA
.2	EC13	BN39-01650B	LEAD CONNECTOR;UE8K,Cable Connector,UL21	1	SA
.2	NW01	BN59-01148C	NETWORK;WIDT-20R,Internal WiFi,USB,34x36	1	SC
.2	SP01A	BN96-16798F	ASSY SPEAKER P;6ohm,4pin,10W,E7000/8000	1	SA
.2	FL06	BN96-22239L	ASSY CABLE P-FFC;UN46ES8000GXZD,FFC,0.5m	1	SA
.2	CAM	BN96-23817A	ASSY MISC P-KITE-L;KITE-LED 7000 EU	1	SC
...3		BN81-07135A	A/S-CAMERA & IR;12Y LED 7K,W/O BOARD P-C	1	SA
...4		BN81-07585A	A/S-IR MODULE;IR MODULE (LED 7000),IR Mo	1	SA
...3	C BD	BN81-07586A	A/S-BOARD-P CAMERA EU;BOARD-P CAMERA (LE	1	SNA
1	M0017	BN91-09006R	ASSY CHASSIS;UE7X,E7000	1	SNA
.2	M0014	BN94-06123E	ASSY PCB MAIN;UE7X,ES7000	1	SA
...3		0202-001608	SOLDER-WIRE FLUX;LFC7-107,D0.8,99.3Sn/0.	0	SNA
...3	HDP01	BN61-06644A	HOLDER-PCB;LC750,NYNOL66,V0	2	SA
...3	CB01	BN61-07938B	BRACKET-AV;UE8000 55",PCM,T0.4,EO	1	SNA
...3		BN62-00285B	HEAT SINK-PS;TV Echo-P,A5052,2t,BLACK,50	1	SNA
...3		BN62-00285C	HEAT SINK-PS;TV Echo-P,A5052,2t heatsink	1	SNA

Level	Loc.	Part Code	Description & Specification	Qty.	SA/SNA
..3		BN97-06532E	ASSY SMD;UE7X,E7000,UE7X,E7000	1	SNA
...4		0202-001477	SOLDER-CREAM;LST309-M,D20~45um,96.5Sn/3A	3	SNA
...4	DS01A	0401-001056	DIODE-SWITCHING;MMBD4148SE,100V,200mA,SO	6	SA
...4	D0254	0404-001271	DIODE-SCHOTTKY;SSA34,40V,3000mA,SMA,TP	3	SA
...4	D0254	0404-001404	DIODE-SCHOTTKY;BAT721C,40V,200mA,SOT-23,	2	SA
...4	T0139	0406-001200	DIODE-TVS;RCLAMP0504F,6/-V,150W,SC-70	3	SA
...4		0406-001290	DIODE-TVS;3.0SMCJ20A,22.2/-/24.5V,3000W,	1	SNA
...4	KQ1	0501-000279	TR-SMALL SIGNAL;KSA1182-Y,PNP,150mW,SOT-	1	SA
...4	Q101	0501-000445	TR-SMALL SIGNAL;KTC3875S-Y,NPN,150mW,SOT	1	SC
...4	Q375	0504-000126	TR-DIGITAL;KSR1101,NPN,200mW,4.7K/4.7Koh	2	SA
...4	CEQ2	0505-000110	FET-SILICON;2N7002,N,60V,115mA,7.5ohm,0.	1	SA
...4		0505-002598	FET-SILICON;AP2317GN,P,-20V,-4.2A,0.052o	2	SA
...4	ND51C2	0801-002780	IC-CMOS LOGIC;74LVC1G17,SCHMITT-TRIGGER	1	SA
...4	IC104	0801-003330	IC-CMOS LOGIC;Octal buffer,DQFN,20P,4.5x	1	SA
...4		0801-003424	IC-CMOS LOGIC;74VHCV541,Octal schmitt bu	1	SA
...4		0904-002631	IC-USC;QFN,28P,5.0mm X 5.0mm,12MHz,TP,PL	2	SA
...4		1001-001686	IC-ANALOG MULTIPLEX;74LV4052,CMOS,TTSOP,	1	SA
...4		1001-001745	IC-VIDEO SWITCH;Si9587CNUC,QFN,88P,10X1	1	SA
...4		1001-001758	IC-ANALOG MULTIPLEX;TS3DS10224RUKR,QFN,2	1	SNA
...4		1103-001506	IC-EEPROM;M24512-RMN6TP,512Kbit,64Kx8,SO	1	SA
...4		1105-002269	IC-DDR3 SDRAM;K4B2G1646C-HCMA,DDR3 1866,	4	SA
...4		1201-003183	IC-AUDIO AMP;DRV612,HTSSOP,14P,5x4.4mm,D	1	SA
...4		1201-003341	IC-AUDIO AMP;TAS5735PHPR,HTQFP,48P,7x7mm	1	SA
...4		1203-004363	IC-VOL. DETECTOR;SOT-23,3Z30,2.9x1.6mm,P	1	SA
...4		1203-006017	IC-VOL. DETECTOR;RT9824GJ8,TSOT23,8P,2.9	1	SA
...4		1203-006067	IC-POWER SUPERVISOR;TPS2553DBVR,SOT-23,6	4	SNA
...4	T0087	1203-006109	IC-POSI.FIXED REG.;S-1206B33-M3T1G,SOT-2	1	SA
...4	T0087	1203-006135	IC-POSI.FIXED REG.;AP1117D-33-GZ-13-89,T	3	SA
...4	T0087	1203-006136	IC-POSI.FIXED REG.;AP1117D-18-GZ-13-89,T	2	SA
...4		1203-006167	IC-POSI.FIXED REG.;S-1172B12-U5T1G,SOT-8	1	SA
...4		1203-006683	IC-DC/DC CONVERTER;A8294SESTR-T,QFN,20P,	1	SNA
...4		1203-007018	IC-DC/DC CONVERTER;TPS54821RHL,QFN,14P,3	1	SA
...4		1203-007080	IC-DC/DC CONVERTER;AOZ1051PI,SO-8,8P,4.9	5	SA
...4		1204-003317	IC-VIDEO PROCESS;SDP1101,FBGA,196P,11.5x	1	SA
...4		1204-003318	IC-DECODER;SDP1106,FCBGA,1188P,35x35mm,P	1	SA
...4		1205-003231	IC-BUFFER;DS90LV804,LLP,32P,5x5mm,PLASTI	3	SA
...4		1205-003735	IC-SWITCH;AP2151WG-7,SOT25,5P,2.9x1.6mm,	2	SA
...4		1205-004155	IC-SWITCH;AOZ1360AIL,SO-8,8P,4.9X3.9mm,P	1	SA
...4		1205-004385	IC-ETHERNET CONTROLLER;RTL8201F-VB-CGT,Q	1	SA
...4		1405-001271	VARISTOR;35V,20Vdc,5A,1.0x0.5x0.6mm,TP,1	1	SA

Exploded Views and Parts List

Level	Loc.	Part Code	Description & Specification	Qty.	SA/SNA
...4	R105	2007-000138	R-CHIP;100ohm,5%,1/16W,TP,1005	1	SA
...4	R319	2007-000143	R-CHIP;4.7Kohm,5%,1/16W,TP,1005	37	SNA
...4		2007-000146	R-CHIP;6.8Kohm,5%,1/16W,TP,1005	1	SNA
...4	R104	2007-000148	R-CHIP;10Kohm,5%,1/16W,TP,1005	2	SA
...4	HDR2	2007-000151	R-CHIP;15Kohm,5%,1/16W,TP,1005	2	SNA
...4	AR43	2007-000155	R-CHIP;27Kohm,5%,1/16W,TP,1005	1	SNA
...4	MR13	2007-000157	R-CHIP;47Kohm,5%,1/16W,TP,1005	1	SNA
...4	R509	2007-000170	R-CHIP;1Mohm,5%,1/16W,TP,1005	3	SNA
...4	R111	2007-000171	R-CHIP;0ohm,5%,1/16W,TP,1005	38	SNA
...4	HDR17	2007-000172	R-CHIP;10ohm,5%,1/16W,TP,1005	5	SNA
...4	R338	2007-000173	R-CHIP;22ohm,5%,1/16W,TP,1005	25	SNA
...4		2007-000231	R-CHIP;1.3Kohm,1%,1/10W,TP,1608	2	SA
...4	FR6	2007-000536	R-CHIP;200ohm,1%,1/10W,TP,1608	3	SA
...4	R124	2007-000775	R-CHIP;33Kohm,5%,1/16W,TP,1005	8	SNA
...4	HR13	2007-000821	R-CHIP;390ohm,1%,1/10W,TP,1608	1	SNA
...4	DR37	2007-000932	R-CHIP;470ohm,5%,1/16W,TP,1005	3	SNA
...4	R858	2007-001007	R-CHIP;51Kohm,1%,1/10W,TP,1608	2	SA
...4	VR88	2007-001116	R-CHIP;680ohm,1%,1/10W,TP,1608	2	SA
...4		2007-001168	R-CHIP;75ohm,5%,1/4W,TP,3216	2	SA
...4	AHR41	2007-001175	R-CHIP;8.2Kohm,1%,1/10W,TP,1608	1	SA
...4		2007-001288	R-CHIP;18ohm,5%,1/16W,TP,1005	4	SA
...4	DR43	2007-001298	R-CHIP;51ohm,5%,1/16W,TP,1005	2	SNA
...4		2007-001335	R-CHIP;36Kohm,5%,1/16W,TP,1005	1	SA
...4	R1	2007-002425	R-CHIP;1ohm,5%,1/10W,TP,1608	7	SNA
...4	DR8	2007-007001	R-CHIP;3.9Kohm,5%,1/16W,TP,1005	1	SA
...4	HDR8	2007-007095	R-CHIP;390ohm,5%,1/16W,TP,1005	1	SA
...4	R365	2007-007107	R-CHIP;100Kohm,1%,1/16W,TP,1005	10	SNA
...4		2007-007132	R-CHIP;15Kohm,1%,1/16W,TP,1005	1	SA
...4		2007-007135	R-CHIP;18Kohm,1%,1/16W,TP,1005	2	SNA
...4		2007-007137	R-CHIP;1.2Kohm,1%,1/16W,TP,1005	1	SA
...4		2007-007139	R-CHIP;47Kohm,1%,1/16W,TP,1005	12	SA
...4	DR4	2007-007142	R-CHIP;10Kohm,1%,1/16W,TP,1005	35	SNA
...4		2007-007306	R-CHIP;100ohm,1%,1/16W,TP,1005	12	SNA
...4		2007-007309	R-CHIP;12Kohm,1%,1/16W,TP,1005,0.35	1	SA
...4		2007-007312	R-CHIP;20Kohm,1%,1/16W,TP,1005	5	SA
...4		2007-007317	R-CHIP;2.2Kohm,1%,1/16W,TP,1005	2	SA
...4		2007-007318	R-CHIP;1Kohm,1%,1/16W,TP,1005	24	SNA
...4		2007-007517	R-CHIP;240ohm,1%,1/16W,TP,1005	6	SNA
...4		2007-007617	R-CHIP;2.49Kohm,1%,1/10W,TP,1608	1	SA
...4		2007-007698	R-CHIP;5.1Kohm,1%,1/16W,TP,1005	6	SNA

Level	Loc.	Part Code	Description & Specification	Qty.	SA/SNA
...4		2007-007766	R-CHIP;2Kohm,1%,1/16W,TP,1005	24	SNA
...4	MR11	2007-008015	R-CHIP;75ohm,1%,1/16W,TP,1005	13	SNA
...4		2007-008137	R-CHIP;24Kohm,1%,1/16W,TP,1005	2	SNA
...4		2007-008263	R-CHIP;3Kohm,1%,1/16W,TP,1005	3	SA
...4		2007-008275	R-CHIP;30Kohm,1%,1/16W,TP,1005	1	SNA
...4		2007-008294	R-CHIP;33ohm,1%,1/16W,TP,1005	8	SA
...4		2007-008391	R-CHIP;6.34Kohm,1%,1/16W,TP,1005	2	SA
...4		2007-008779	R-CHIP;0ohm,1%,1/16W,TP,1005	1	SA
...4		2007-009853	R-CHIP;1.6Kohm,1%,1/16W,TP,1005	1	SNA
...4	ZRN10	2011-001261	R-NETWORK;33ohm,5%,1/16W,L,CHIP,8P,TP,2.	9	SA
...4	DAR09	2011-001262	R-NETWORK;22ohm,5%,1/16W,L,CHIP,8P,TP,2.	4	SA
...4		2011-001345	R-NETWORK;10Kohm,5%,1/16W,L,CHIP,8P,TP,2	1	SA
...4	DRP29	2011-001396	R-NETWORK;4.7Kohm,5%,1/16W,L,CHIP,8P,TP,	3	SA
...4		2011-001449	R-NETWORK;22ohm,5%,1/16W,L,4P,TP,1010	7	SA
...4		2011-001497	R-NETWORK;470ohm,5%,1/16W,L,CHIP,4P,TP,1	4	SNA
...4		2011-001506	R-NETWORK;10Kohm,5%,1/16W,L,CHIP,4P,TP,1	6	SNA
...4		2011-001527	R-NETWORK;4.7Kohm,5%,1/16W,L,CHIP,4P,TP,	14	SNA
...4		2011-001585	R-NETWORK;47ohm,5%,1/16W,L,CHIP-V,4P,TP,	1	SNA
...4		2011-001586	R-NETWORK;1Kohm,5%,1/16W,L,CHIP-V,4P,TP,	1	SNA
...4		2011-001587	R-NETWORK;100ohm,5%,1/16W,L,CHIP-V,4P,TP	10	SNA
...4		2011-001590	R-NETWORK;47Kohm,5%,1/16W,L,CHIP-V,4P,TP	1	SNA
...4	PC43	2203-000233	C-CER,CHIP;0.1nF,5%,50V,C0G,TP,1005	6	SA
...4	DC54	2203-000278	C-CER,CHIP;0.01nF,0.5pF,50V,C0G,TP,1005	1	SA
...4	DC2	2203-000330	C-CER,CHIP;0.012nF,5%,50V,C0G,TP,1005	4	SA
...4	DC1	2203-000386	C-CER,CHIP;0.015nF,5%,50V,C0G,TP,1005	10	SA
...4	C254	2203-000438	C-CER,CHIP;1nF,10%,50V,X7R,TP,1005	13	SA
...4	C507	2203-000489	C-CER,CHIP;2.2nF,10%,50V,X7R,TP,1005	6	SA
...4	V1233	2203-000575	C-CER,CHIP;220nF,10%,25V,X7R,TP,2012	7	SNA
...4	MC9	2203-000627	C-CER,CHIP;0.022nF,5%,50V,C0G,TP,1005	2	SNA
...4	AD480	2203-000714	C-CER,CHIP;3.3nF,10%,50V,X7R,TP,1005	9	SA
...4	DC25	2203-000812	C-CER,CHIP;0.033nF,5%,50V,C0G,TP,1005	8	SA
...4	C525	2203-001634	C-CER,CHIP;33nF,10%,50V,X7R,TP,1608	4	SNA
...4	AD480	2203-002050	C-CER,CHIP;47nF,10%,50V,X7R,TP,1608	1	SA
...4	AD480	2203-002285	C-CER,CHIP;10nF,10%,50V,X7R,TP,1005	26	SNA
...4	C711	2203-002982	C-CER,CHIP;6.8nF,10%,50V,X7R,TP,1005	1	SA
...4	AD480	2203-005083	C-CER,CHIP;220nF,10%,50V,X7R,TP,1608,0.8	1	SA
...4	C231	2203-005221	C-CER,CHIP;15nF,10%,50V,X7R,TP,1608	1	SNA
...4	AAC1	2203-005249	C-CER,CHIP;100nF,10%,50V,X7R,TP,1608	16	SNA
...4	AD480	2203-005344	C-CER,CHIP;22nF,10%,25V,X7R,TP,1005,0.5T	4	SNA
...4	PC8	2203-005642	C-CER,CHIP;0.22nF,5%,50V,NP0,TP,1005	3	SNA

Exploded Views and Parts List

Level	Loc.	Part Code	Description & Specification	Qty.	SA/SNA
...4	AD480	2203-005968	C-CER,CHIP;4.7nF,10%,50V,X7R,TP,1005,0.5	3	SNA
...4	VC37	2203-006048	C-CER,CHIP;100nF,10%,10V,X7R,TP,1005	232	SA
...4	AD480	2203-006088	C-CER,CHIP;330nF,10%,10V,X7R,TP,1608	1	SA
...4	AD480	2203-006126	C-CER,CHIP;47nF,10%,16V,X7R,TP,1005	7	SNA
...4	C102	2203-006158	C-CER,CHIP;100nF,10%,16V,X7R,TP,1005,0.5	3	SNA
...4	C802	2203-006348	C-CER,CHIP;1000nF,10%,25V,X5R,TP,1608,0.	3	SA
...4	HE4	2203-006474	C-CER,CHIP;22000nF,20%,6.3V,X5R,TP,2012	9	SA
...4	HDC11	2203-006562	C-CER,CHIP;1000nF,10%,10V,X5R,TP,1005	43	SNA
...4	AD480	2203-006741	C-CER,CHIP;470nF,10%,25V,X5R,TP,1608,0.8	2	SNA
...4	AD480	2203-006824	C-CER,CHIP;4700nF,10%,10V,X5R,TP,1608,-	18	SNA
...4	C23	2203-006890	C-CER,CHIP;10000nF,20%,6.3V,X5R,TP,1608	27	SNA
...4	AD480	2203-006992	C-CER,CHIP;0.33nF,5%,50V,C0G,TP,1005	3	SNA
...4	AD480	2203-007176	C-CER,CHIP;10000nF,10%,16V,X5R,TP,2012,1	53	SNA
...4	AD480	2203-007486	C-CER,CHIP;1000nF,10%,50V,X5R,TP,1608	1	SNA
...4	AD480	2203-007513	C-CER,CHIP;10000nF,10%,10V,X5R,TP,1608,0	11	SA
...4		2402-001403	C-AL,SMD;100uF,20%,35V,TP,10.3X10.3	2	SNA
...4		2409-001118	C-POLYMER ,CHIP;47uF,20%,10V,WT,TP,3.5X2	4	SA
...4		2503-001051	C-NETWORK;100nFx4,20%,16V,2012	1	SA
...4	T0052	2703-000158	INDUCTOR-SMD;1uH,10%,2012,40ohm,50mA,45,	4	SA
...4	S1Q036	12703-000408	INDUCTOR-SMD;3.3uH,20%,3225,-28ohm,500mA	1	SA
...4	T0052	2703-003790	INDUCTOR-SMD;4.7uH,20%,8080,0.025ohm,450	5	SA
...4		2703-003879	INDUCTOR-SMD;33uH,20%,10.0mmX10.0mm,0.12	1	SA
...4		2703-003930	INDUCTOR-SMD;4.7uH,20%,5050,0.072ohm,245	4	SA
...4		2703-004145	INDUCTOR-SMD;2.2uH,20%,6.5 x 6.9mm,0.20o	1	SNA
...4	X202	2801-003331	CRYSTAL-SMD;28.63636MHz,30ppm,HC-49,16pF	1	SA
...4	X202	2801-003948	CRYSTAL-SMD;12MHz,30ppm,28-AAN,12pF,60oh	1	SA
...4	X202	2801-004734	CRYSTAL-SMD;25.000000MHz,20ppm,28-AAN,12	1	SA
...4	X202	2801-004774	CRYSTAL-SMD;24MHz,30ppm,14pF,30ohm,TP	2	SA
...4	X202	2801-004775	CRYSTAL-SMD;12MHz,30ppm,16pF,30ohm,TP	2	SNA
...4	DR32	3301-000314	BEAD-SMD;120ohm,1608,TP,120ohm/100MHz	7	SNA
...4	T0568	3301-002039	BEAD-SMD;26ohm,1608,TP	59	SA
...4	F201	3601-001374	FUSE-SURFACE MOUNT;32V,5A,FAST-ACTING,PL	2	SA
...4	CN601	3701-001736	CONNECTOR-HDMI;19P,2ROW,FEMALE,SMD-A	3	SA
...4	CN303	3707-001104	CONNECTOR-OPTICAL,SMD-A(Ultra Slim),SPDI	1	SA
...4		3710-002276	SOCKET-INTERFACE;24P,1R,0.5mm,SMD-A,AU,B	1	SC
...4		3710-003374	CONNECTOR-SOCKET;64P,2R,0.5mm,ANGLE,NI+S	1	SA
...4		3710-003555	CONNECTOR-SOCKET;80P,2R,0.5mm,ANGLE,NI+S	1	SA
...4	HB01A	3711-005925	HEADER-BOARD TO CABLE;BOX,51P,1R,0.5mm,S	1	SA
...4		3711-007571	CONNECTOR-HEADER;BOX,18P,2R,2.0mm,ANGLE,	1	SA
...4		3711-007585	CONNECTOR-HEADER;BOX,4P,1R,2.5mm,ANGLE-D	1	SA

Level	Loc.	Part Code	Description & Specification	Qty.	SA/SNA
...4	EH01	3711-007742	HEADER-BOARD TO CABLE;BOX,20P,2R,2mm,ANG	1	SA
...4	EH01	3711-008095	HEADER-BOARD TO CABLE;BOX,22P,2R,2mm,ANG	1	SNA
...4	CN1501	3722-003044	JACK-USB;4P/1C,NI,BLK,SMD-A,A-TYPE	3	SA
...4		3722-003151	JACK-PIN;5P(ULTRA SLIM),NI,BLK,ANGLE(SSR	1	SA
...4	CN1701	3722-003199	JACK-MODULAR;8P/8C,ANGLE,AU,1P	1	SA
...4		3722-003216	JACK-PHONE;1P/7C,P-BRONZE,BLACK,SMD-A(DI	1	SA
...4		3722-003394	JACK-PHONE;1P/6C,AU,BLK,ANGLE	2	SA
...4	ET01	BN40-00236B	TUNER;TDHZ3-K03A,TDHZ3-K03A,DVB-TC/S2 NI	1	SA
...4		BN41-01800B	PCB MAIN;UE7000,FR-4,4,A,1.2,192*240,1	1	SNA
...4		BN97-06596A	ASSY MICOM-MAIN FLASH;T-ECPDEUC-1021.1,2	1	SNA
....5		1107-002088	IC-NAND FLASH;KLM2G1HE3F-B001,2GByte,16G	1	SNA
...4		BN97-06597A	ASSY MICOM-SUB;T-ECODEUS3-1005,2012.03.1	1	SNA
....5		0903-001747	IC-MICROCONTROLLER;WT61P806-RG480,LQFP,4	1	SNA
..3		BN97-06720A	ASSY DRM-KEY CI+;Echo-P	1	SNA
...4		BN46-00109H	KEY CODE-CERTIFI;MAC,TV/AV,General	1	SNA
...4		BN46-00115G	KEY CODE-CERTIFI;CI+,TV,Echo-P,Euro	1	SNA
1		BN91-10108A	ASSY LCM-AMLCD;LTJ460HQ27-J,BN95-00817A,	1	SNA
.2		6001-002756	SCREW-MACHINE;BH,+,M3,L6,ZPC(WHT),SWRCH1	5	SA
.2	P001A	BN44-00522A	DC VSS-LED TV PD BD;PD46B2Q_CSM,PSLF131Q	1	SC
.2		BN95-00817A	PRODUCT LCD-AMLCD;7K,LTJ460HQ27-V,8bits,	1	SC
..3	FL06	3809-002739	FFC CABLE-FLAT;90V,105C,57mm,78P,0.5mm,U	2	SNA
..3		6001-002685	SCREW-MACHINE;CH,+,M3,L2,Cr 3+ Red,SWRCH	22	SNA
..3		6001-002757	SCREW-MACHINE;BH,+,M3,L4,ZPC(WHT),SWRCH1	12	SA
..3		BN02-00102B	TAPE FILAMENT;UE7000,#893,0.15,25,50,WHI	0	SNA
..3		BN60-00637A	SPACER-RUBBER;Y2012 SNB 55",SILICON,L32,	5	SNA
..3		BN68-02471A	LABEL-STICKER;WW,Art Paper,80,40,AV	1	SNA
..3		BN90-04286A	ASSY MISC-BLU;E7K	1	SNA
...4		6001-002759	SCREW-MACHINE;CH,+,M3,L4,ZPC(BLK),SWRCH1	6	SNA
...4		BN61-07382A	HOLDER-SHEET;SNB 40/46/55,SUS416,0.2,32,	5	SNA
...4		BN61-08144A	LGP-LED;46" 7K,8K,Lenticular,PMMA,1018.6	1	SNA
...4		BN63-09384A	SHEET-DIFFUSER;46inch 12Y SNB UTE24B-10B	1	SNA
...4		BN63-09387A	SHEET-PRISM;46INCH SNB Prism MAS670F,SHE	1	SNA
...4		BN63-09388A	SHEET-REFLECTOR;46inch 12Y SNB SRS980CS,	1	SNA
...4		BN63-10049A	SHEET-DIFFUSER;SP763, 46", SNB VE,SHEET,	1	SNA
...4		BN96-21468A	ASSY MISC P-LED BAR L;46" SNB_Left,4Bloc	1	SNA
...4		BN96-21469A	ASSY MISC P-LED BAR R;46" SNB_Right,4Blo	1	SNA
...4		BN96-21690B	ASSY MISC P-CHASSIS BOTTOM;Y2012,SNB 7K,	1	SNA
....5		6001-002617	SCREW-MACHINE;CH,+,M3,L4,NI PLT (White),	8	SNA
....5		BN02-00040B	TAPE DOUBLE FACE-DIFFUSER FIXING;NNB 32/	1	SNA
....5		BN02-00041A	TAPE ETC-HEAT-SINK;NNB 32/40/46/55,MTU 1	10	SNA

Exploded Views and Parts List

Level	Loc.	Part Code	Description & Specification	Qty.	SA/SNA
....5		BN02-00102B	TAPE FILAMENT;UE7000,#893,0.15,25,50,WHI	1	SNA
....5		BN02-00108B	TAPE THERMAL-GRAPHITE L;SNB 46",E-GRAF,0	1	SNA
....5		BN02-00109B	TAPE THERMAL-GRAPHITE R;SNB 46",E-GRAF,0	1	SNA
....5		BN02-00113A	TAPE ETC-FIXING WIRE;Y12 NNB2,PET,0.05T,	1	SNA
....5	EC13	BN39-01605A	LEAD CONNECTOR;E_SNB 46"_L wire-harness,	1	SNA
....5	EC13	BN39-01606A	LEAD CONNECTOR;E_SNB 46"_R wire-harness,	1	SNA
....5		BN61-07432A	HOLDER-LGP;SNB,EGI,3.0,3.9	2	SNA
....5		BN61-08345A	BRACKET-WALL MOUNT;NNB,SNB 32/40/46/55,S	4	SNA
....5		BN62-00264A	INSULATION-S-PCB L;Y12 SNB 46,PET(0.1T),	1	SNA
....5		BN62-00265A	INSULATION-S-PCB R;Y12 SNB 46,PET(0.1T),	1	SNA
....5		BN62-00266A	INSULATION-POWER;Y12 SNB 46" 55",PET,0.4	1	SNA
....5		BN62-00291A	INSULATION-T-CON;Y12 SNB,PET(0.1T),0.1,1	1	SNA
....5	CC02	BN64-01970A	CHASSIS-BOTTOM;SNB 46",AL,T1.0,1028.4,58	1	SNA
...4		BN96-21695C	ASSY FRAME P-MOLD MIDDLE U;Y2012, SNB CI	1	SNA
....5		BN61-08073A	FRAME-MOLD MIDDLE U;SNB 46",PC+GF,6.4,10	1	SNA
...4		BN96-21696C	ASSY FRAME P-MOLD MIDDLE D;Y2012, SNB CI	1	SNA
....5		BN02-00046A	TAPE DOUBLE FACE-MIDDLE;SNB 55",SK2100HE	1	SNA
....5		BN60-00639A	SPACER-MIDDLE UD;SNB 46",SI(SH0140U)0.2T	2	SNA
....5		BN61-08076A	FRAME-MOLD MIDDLE D;SNB 46",PC+GF,6.4,10	1	SNA
...4		BN96-21697A	ASSY FRAME P-MOLD MIDDLE LR;Y2012, SNB 7	2	SNA
....5		BN60-00524A	SPACER-PANEL;Y2012 SNB 46",SILICON,1.7,B	2	SNA
....5		BN60-00527A	SPACER-LGP;Y2012 SNB 46",PET,L3.7,BLACK,	2	SNA
....5		BN61-08079A	FRAME-MOLD MIDDLE LR;SNB 46",PC+GF,6.6,5	2	SNA
...3	TCON	BN95-00581D	ASSY T CON;LSJ460HQ02-E,FHD 240Hz(F/W)	1	SC
...4		BN62-00286A	HEAT SINK-PS;TV Echo-FS,A5052,1t,BLACK,3	1	SNA
...4		BN62-00287A	HEAT SINK-ES;TV Echo-FP,A5052,7t,BLACK,1	1	SNA
...4		BN97-06373D	ASSY SMD;BN95-00581D	1	SNA
....5		0202-001477	SOLDER-CREAM;LST309-M,D20~45um,96.5Sn/3A	2	SNA
....5	DS01A	0401-001192	DIODE-SWITCHING;MMBD7000LT1,100V,200mA,S	3	SA
....5	DR01A	0402-001883	DIODE-RECTIFIER;B150,50V,1A,SMA,TP	1	SA
....5		0403-001172	DIODE-ZENER;UDZ6.8B,6.65-6.93V,200MW,SOD	1	SNA
....5	D0254	0404-001314	DIODE-SCHOTTKY;B260A,60V,2000mA,SMA,TP	1	SNA
....5	T0139	0406-001200	DIODE-TVS;RCLAMP0504F,6/-V,150W,SC-70	4	SA
....5		0406-001438	DIODE-TVS;SMCJ14A,15.6/-17.2V,1500W,DO-	1	SA
....5		0406-001445	DIODE-TVS;RClamp7512N,2.7/2.8/2.9,300W,S	2	SA
....5	Q613	0501-000465	TR-SMALL SIGNAL;MMBT3904,NPN,350mW,SOT-2	7	SA
....5	PQ02	0501-002080	TR-SMALL SIGNAL;2SC2412K,NPN,200mW,SC-59	1	SA
....5		0502-001331	TR-POWER;NSS30100LT1G,PNP,310mW,SOT-23,T	1	SA
....5		0502-001345	TR-POWER;FCX491A,NPN,1000mW,SOT89,TR,900	4	SA
....5		0502-001346	TR-POWER;FCX591A,PNP,1000mW,SOT89,TR,30/	4	SA

Level	Loc.	Part Code	Description & Specification	Qty.	SA/SNA
....5		0505-001844	FET-SILICON;SI4435DDY-T1-GE3,P,-30V,-11.	1	SA
....5		0505-002480	FET-SILICON;FDC6331L,N/P,8V,-2.8A,0.1/4o	1	SA
....5		0505-002485	FET-SILICON;FDC658AP,P,-30V,-4A,0.075ohm	1	SA
....5		0801-003292	IC-CMOS LOGIC;7WB66,Bus Switch,MAB08A,8P	2	SA
....5		1105-002194	IC-DDR3 SDRAM;K4B1G1646G-BCH9,DDR3 SDRAM	2	SA
....5		1201-003130	IC-OP AMP;iML2811SEC,TDFN-EP,TP,8P,3x3mm	3	SA
....5		1203-004363	IC-VOL. DETECTOR;SOT-23,3Z30,2.9x1.6mm,P	1	SA
....5		1203-004718	IC-DC/DC CONVERTER;TPS65167A,QFN,40P,6x6	1	SA
....5	IC012	1203-005756	IC-POSI.ADJUST REG.;AP7173-SP,SOP-8L-EP,	1	SA
....5	T0087	1203-006130	IC-POSI.FIXED REG.;S-1172B25-U5T1G,SOT-8	1	SA
....5	IC012	1203-006138	IC-POSI.ADJUST REG.;AP1117DGZ-13-89,TO-2	1	SA
....5		1203-006591	IC-SWITCH VOL. REG.;BD9329EFJ,HTSOP-J8,8	2	SNA
....5		1203-006989	IC-VOL. GENERATOR;ISL24826,QFN,48P,7x7mm	1	SNA
....5		1203-007215	IC-DC/DC CONVERTER;SN1109048RHL,QFN,14P,	1	SA
....5		1204-003319	IC-VIDEO PROCESS;SDP1107,PBGA,448P,23x23	1	SNA
....5		1204-003324	IC-VIDEO PROCESS;SDP1111,FCBGA,768P,31x3	1	SA
....5	IS01	1209-001761	IC-SENSOR;LM75ADP,TSSOP,8P,3.1x3.1mm,PLA	1	SA
....5		2007-000039	R-CHIP;0ohm,1%,1/10W,TP,1608	2	SA
....5	SR51	2007-000040	R-CHIP;150ohm,1%,1/10W,TP,1608	2	SNA
....5	DR1	2007-000043	R-CHIP;1Kohm,1%,1/10W,TP,1608	6	SA
....5	PR4	2007-000052	R-CHIP;10Kohm,1%,1/10W,TP,1608	18	SA
....5	KAR13	2007-000060	R-CHIP;100Kohm,1%,1/10W,TP,1608	2	SNA
....5	R104	2007-000063	R-CHIP;150Kohm,1%,1/10W,TP,1608	1	SA
....5	ND51C2	2007-000066	R-CHIP;20Kohm,1%,1/10W,TP,1608	4	SNA
....5	KR24	2007-000067	R-CHIP;15Kohm,1%,1/10W,TP,1608	1	SNA
....5	KAR21	2007-000070	R-CHIP;0ohm,5%,1/10W,TP,1608	59	SA
....5	AR150	2007-000078	R-CHIP;1Kohm,5%,1/10W,TP,1608	6	SA
....5	FMR4	2007-000080	R-CHIP;2Kohm,5%,1/10W,TP,1608	2	SNA
....5	MROPI	2007-000090	R-CHIP;10Kohm,5%,1/10W,TP,1608	1	SA
....5	ZR24	2007-000109	R-CHIP;1Mohm,5%,1/10W,TP,1608	2	SA
....5	R105	2007-000138	R-CHIP;100ohm,5%,1/16W,TP,1005	12	SA
....5	AR49	2007-000140	R-CHIP;1Kohm,5%,1/16W,TP,1005	2	SNA
....5	MR306	2007-000141	R-CHIP;2.2Kohm,5%,1/16W,TP,1005	1	SNA
....5	R319	2007-000143	R-CHIP;4.7Kohm,5%,1/16W,TP,1005	18	SNA
....5	R104	2007-000148	R-CHIP;10Kohm,5%,1/16W,TP,1005	9	SA
....5	AR43	2007-000155	R-CHIP;27Kohm,5%,1/16W,TP,1005	1	SNA
....5	DR39	2007-000162	R-CHIP;100Kohm,5%,1/16W,TP,1005	2	SNA
....5	MR16	2007-000168	R-CHIP;470Kohm,5%,1/16W,TP,1005	1	SNA
....5	R509	2007-000170	R-CHIP;1Mohm,5%,1/16W,TP,1005	1	SNA
....5	R111	2007-000171	R-CHIP;0ohm,5%,1/16W,TP,1005	23	SNA

Exploded Views and Parts List

Level	Loc.	Part Code	Description & Specification	Qty.	SA/SNA
....5	PFRF2	2007-000219	R-CHIP;1.2Kohm,1%,1/10W,TP,1608	5	SA
....5		2007-000231	R-CHIP;1.3Kohm,1%,1/10W,TP,1608	1	SA
....5	R1035	2007-000287	R-CHIP;100ohm,1%,1/10W,TP,1608	1	SNA
....5	MR9	2007-000455	R-CHIP;18Kohm,1%,1/10W,TP,1608	3	SA
....5	PRS34	2007-000516	R-CHIP;2.7Kohm,1%,1/10W,TP,1608	4	SNA
....5	PR6	2007-000583	R-CHIP;22Kohm,1%,1/10W,TP,1608	1	SA
....5		2007-000606	R-CHIP;240ohm,1%,1/10W,TP,1608	1	SA
....5	JR11	2007-000614	R-CHIP;24Kohm,1%,1/10W,TP,1608	4	SNA
....5	ER13	2007-000669	R-CHIP;2Kohm,1%,1/10W,TP,1608	1	SNA
....5		2007-000701	R-CHIP;3.6Kohm,1%,1/10W,TP,1608	1	SNA
....5	AR60	2007-000708	R-CHIP;3.9Kohm,1%,1/10W,TP,1608	1	SNA
....5	HR60	2007-000779	R-CHIP;33ohm,1%,1/10W,TP,1608	6	SA
....5	R2007	2007-000803	R-CHIP;36Kohm,1%,1/10W,TP,1608	1	SA
....5	DR6	2007-000831	R-CHIP;39Kohm,5%,1/16W,TP,1005	2	SA
....5	MR14	2007-000842	R-CHIP;3Kohm,1%,1/10W,TP,1608	1	SA
....5	V8932	2007-000857	R-CHIP;4.3Kohm,1%,1/10W,TP,1608	1	SNA
....5	AR61	2007-000869	R-CHIP;4.7Kohm,1%,1/10W,TP,1608	4	SA
....5	S1G0843	2007-000923	R-CHIP;470Kohm,1%,1/10W,TP,1608	2	SA
....5	HR10	2007-000962	R-CHIP;5.1Kohm,1%,1/10W,TP,1608	3	SA
....5	VR37	2007-001014	R-CHIP;51ohm,5%,1/10W,TP,1608	1	SA
....5	R441	2007-001042	R-CHIP;56ohm,1%,1/10W,TP,1608	1	SNA
....5		2007-001090	R-CHIP;620ohm,1%,1/10W,TP,1608	1	SA
....5	R25	2007-001139	R-CHIP;7.5Kohm,1%,1/10W,TP,1608	4	SA
....5	R703	2007-001153	R-CHIP;750ohm,1%,1/10W,TP,1608	1	SA
....5	AHR41	2007-001175	R-CHIP;8.2Kohm,1%,1/10W,TP,1608	1	SA
....5		2007-001199	R-CHIP;820ohm,1%,1/10W,TP,1608	1	SA
....5	R3301	2007-001433	R-CHIP;12Kohm,1%,1/10W,TP,1608	2	SA
....5		2007-002768	R-CHIP;6.2Kohm,1%,1/10W,TP,1608	2	SA
....5		2007-002797	R-CHIP;560ohm,5%,1/16W,TP,1005	1	SA
....5	HDR8	2007-007095	R-CHIP;390ohm,5%,1/16W,TP,1005	1	SA
....5	DR4	2007-007142	R-CHIP;10Kohm,1%,1/16W,TP,1005	1	SNA
....5		2007-007156	R-CHIP;1ohm,5%,1/16W,TP,1005	2	SNA
....5		2007-007306	R-CHIP;100ohm,1%,1/16W,TP,1005	61	SNA
....5		2007-007309	R-CHIP;12Kohm,1%,1/16W,TP,1005,0.35	1	SA
....5		2007-007318	R-CHIP;1Kohm,1%,1/16W,TP,1005	16	SNA
....5		2007-007352	R-CHIP;130Kohm,1%,1/10W,TP,1608	1	SA
....5		2007-007431	R-CHIP;91Kohm,1%,1/10W,TP,1608	1	SA
....5	HDR44	2007-007470	R-CHIP;7.5Kohm,1%,1/16W,TP,1005	8	SNA
....5		2007-007517	R-CHIP;240ohm,1%,1/16W,TP,1005	2	SNA
....5		2007-007698	R-CHIP;5.1Kohm,1%,1/16W,TP,1005	1	SNA

Level	Loc.	Part Code	Description & Specification	Qty.	SA/SNA
....5		2007-007720	R-CHIP;300Kohm,1%,1/10W,TP,1608	1	SA
....5	R8	2007-007721	R-CHIP;560ohm,1%,1/10W,TP,1608	2	SA
....5		2007-007736	R-CHIP;510Kohm,1%,1/10W,TP,1608	1	SA
....5		2007-007766	R-CHIP;2Kohm,1%,1/16W,TP,1005	3	SNA
....5		2007-007798	R-CHIP;10ohm,1%,1/16W,TP,1005	4	SA
....5		2007-008776	R-CHIP;20ohm,1%,1/16W,TP,1005	8	SA
....5		2007-009107	R-CHIP;2.8Kohm,1%,1/10W,TP,1608	1	SA
....5	MC2	2203-000254	C-CER,CHIP;10nF,10%,16V,X7R,TP,1005	1	SA
....5	C134	2203-000257	C-CER,CHIP;10nF,10%,50V,X7R,TP,1608	2	SA
....5	MC9	2203-000359	C-CER,CHIP;0.15nF,5%,50V,COG,TP,1005,0.5	1	SNA
....5	DC1	2203-000386	C-CER,CHIP;0.015nF,5%,50V,COG,TP,1005	2	SA
....5	C507	2203-000489	C-CER,CHIP;2.2nF,10%,50V,X7R,TP,1005	1	SA
....5	AC139	2203-000491	C-CER,CHIP;2.2nF,10%,50V,X7R,TP,1608	2	SA
....5	AD480	2203-000714	C-CER,CHIP;3.3nF,10%,50V,X7R,TP,1005	1	SA
....5	C371	2203-001071	C-CER,CHIP;0.056nF,5%,50V,COG,TP,1608	2	SNA
....5	ACC2	2203-001408	C-CER,CHIP;0.27nF,5%,50V,NP0,TP,1608	1	SA
....5	AD480	2203-001414	C-CER,CHIP;330nF,10%,50V,X7R,TP,2012	3	SNA
....5	C627	2203-001697	C-CER,CHIP;0.082nF,5%,50V,NP0,TP,1608	2	SA
....5	AD480	2203-001851	C-CER,CHIP;0.016nF,5%,50V,NP0,TP,1608	2	SNA
....5	AVC08	2203-002398	C-CER,CHIP;22nF,10%,50V,X7R,TP,1608	3	SNA
....5	AD480	2203-002519	C-CER,CHIP;5.6nF,10%,50V,X7R,TP,1005	1	SNA
....5	AC2	2203-002711	C-CER,CHIP;100nF,10%,25V,X7R,TP,1608	15	SA
....5	AD480	2203-002720	C-CER,CHIP;10nF,10%,25V,X7R,TP,1005,0.5T	1	SNA
....5	DC18	2203-005138	C-CER,CHIP;1.8nF,10%,50V,X7R,TP,1005	4	SA
....5	C231	2203-005221	C-CER,CHIP;15nF,10%,50V,X7R,TP,1608	2	SNA
....5	AAC1	2203-005249	C-CER,CHIP;100nF,10%,50V,X7R,TP,1608	13	SNA
....5	AD480	2203-005342	C-CER,CHIP;82nF,10%,16V,X7R,TP,1608	1	SA
....5	AD480	2203-005344	C-CER,CHIP;22nF,10%,25V,X7R,TP,1005,0.5T	8	SNA
....5	C236	2203-005918	C-CER,CHIP;1000nF,10%,6.3V,X7R,TP,1608	1	SNA
....5	VC37	2203-006048	C-CER,CHIP;100nF,10%,10V,X7R,TP,1005	8	SA
....5	C600	2203-006090	C-CER,CHIP;10000nF,10%,6.3V,X5R,TP,2012	3	SA
....5	C102	2203-006158	C-CER,CHIP;100nF,10%,16V,X7R,TP,1005,0.5	198	SNA
....5	C510	2203-006170	C-CER,CHIP;220nF,10%,16V,X7R,TP,1608	1	SNA
....5	AD480	2203-006333	C-CER,CHIP;10000nF,20%,16V,X5R,TP,3216	1	SNA
....5	C802	2203-006348	C-CER,CHIP;1000nF,10%,25V,X5R,TP,1608,0.	2	SA
....5	AD480	2203-006427	C-CER,CHIP;4700nF,10%,16V,X5R,TP,2012	2	SA
....5	HDC11	2203-006562	C-CER,CHIP;1000nF,10%,10V,X5R,TP,1005	12	SNA
....5	AD480	2203-006636	C-CER,CHIP;220nF,10%,25V,X7R,TP,1608	1	SA
....5	AD480	2203-006698	C-CER,CHIP;1000nF,10%,25V,X7R,TP,1608,0.	10	SNA
....5	AD480	2203-006741	C-CER,CHIP;470nF,10%,25V,X5R,TP,1608,0.8	1	SNA

Exploded Views and Parts List

Level	Loc.	Part Code	Description & Specification	Qty.	SA/SNA
....5	C23	2203-006890	C-CER,CHIP;10000nF,20%,6.3V,X5R,TP,1608	11	SNA
....5	AD480	2203-006960	C-CER,CHIP;1000nF,10%,50V,X7R,TP,2012	3	SNA
....5	AD480	2203-007240	C-CER,CHIP;22000nF,20%,6.3V,X5R,TP,1608,	7	SA
....5	AD480	2203-007306	C-CER,CHIP;10000nF,10%,25V,X5R,TP,2012,1	14	SNA
....5	AD480	2203-007423	C-CER,CHIP;10000nF,10%,35V,X7R,TP,3216	4	SA
....5	AD480	2203-007513	C-CER,CHIP;10000nF,10%,10V,X5R,TP,1608,0	31	SA
....5		2409-001058	C-ORGANIC;47uF,20%,16V,7343	1	SNA
....5		2409-001240	C-ORGANIC,SMD;33uF,20%,25V,LR,TP,7343(1.	2	SNA
....5		2703-003135	INDUCTOR-SMD;4.7uH,20%,6965,0.04ohm,5500	1	SNA
....5		2703-003263	INDUCTOR-SMD;3.3uH,20%,10.0x10.0mm,0.011	1	SNA
....5		2703-003488	INDUCTOR-SMD;10uH,20%,6965,0.071ohm,3500	3	SA
....5	X202	2801-003954	CRYSTAL-SMD;27MHz,30ppm,28-AAN,16pF,50oh	1	SA
....5	X202	2801-004734	CRYSTAL-SMD;25.000000MHz,20ppm,28-AAN,12	1	SA
....5	DR32	3301-000314	BEAD-SMD;120ohm,1608,TP,120ohm/100MHz	1	SNA
....5	T0568	3301-002039	BEAD-SMD;26ohm,1608,TP	14	SA
....5		3601-001386	FUSE-SURFACE MOUNT;125V,5A,FAST-ACTING,C	1	SA
....5		3708-002651	CONNECTOR-FPC/FFC/PIC;80P,0.5mm,SMD-A,AU	2	SA
....5	HB01A	3711-005601	HEADER-BOARD TO CABLE;BOX,8P,1R,2mm,SMD-	1	SA
....5	HB01A	3711-005925	HEADER-BOARD TO CABLE;BOX,51P,1R,0.5mm,S	1	SA
....5		6302-001232	GASKET;Conductive Fabric,4.0mm,GRAY,SMR-	3	SNA
....5		BN41-01790C	PCB MAIN;2012 240Hz Tcon,FR-4,4,B,1.2T,1	1	SNA
....5		BN97-06443B	ASSY MICOM;460HQ02,24C256,2012.02.20,J46	1	SNA
....6		1103-001487	IC-EEPROM;AT24C256C-SSHL-T,256Kbit,32Kx8	1	SA
....5		BN97-06457A	ASSY MICOM;LSJ460HQ02,460HQ02,2011.10.10	1	SNA
....6		1103-001500	IC-EEPROM;AT24C02C-SSHM-T,2Kbit,256x8,SO	1	SA
....5		BN97-06463B	ASSY MICOM;T-FP701-0052_OTP,2012.10.11	1	SNA
....6		1107-001916	IC-NOR FLASH;W25Q16BVSSIG,16Mbit,2Mbitx8	1	SNA
...3		BN96-21524A	ASSY OPEN CELL;LSJ460HQ02-E,8bit,46 INCH	1	SNA
...4		BN81-07433A	A/S-ADHESIVE-A.C.F(CF);ADHESIVE-A.C.F,1-	1	SNA
...4		BN81-07434A	A/S-ADHESIVE-A.C.F(CP);ADHESIVE-A.C.F,1-	1	SNA
...4		BN81-07450A	A/S-ASSY PCB-SOURCE LEFT;ASSY PCB-SOURCE	1	SNA
...4		BN81-07463A	A/S-ASSY PCB-SOURCE RIGHT;ASSY PCB-SOURC	1	SNA
...4		BN81-07468A	A/S-IC DRIVER GATE;IC DRIVER GATE,4-IC D	1	SNA
...4		BN81-07480A	A/S-IC DRIVER SOURCE;IC DRIVER SOURCE,12	1	SNA
...4		BN81-07488A	A/S-POLARIZER-C/F;POLARIZER-C/F,7-POLARI	1	SNA
...4		BN81-07496A	A/S-POLARIZER-TFT;POLARIZER-TFT,7-POLARI	1	SNA
...3		BN96-21726A	ASSY COVER P-SOURCE;Y2012, SNB 7K,8K 46"	1	SNA
...4		BN60-00554A	SPACER-SOURCE;SNB 40/46/55,Silicone-Rubb	5	SNA
...4		BN61-02932N	BRACKET-STOPPER NUT;LED TV,M3,D7,L6.6,BR	4	SNA
...4		BN62-00267A	INSULATION-S-COVER L;Y12 SNB 46",PET(0.1	1	SNA

Level	Loc.	Part Code	Description & Specification	Qty.	SA/SNA
...4		BN62-00268A	INSULATION-S-COVER R;Y12 SNB 46",PET(0.1	1	SNA
...4		BN63-09245A	SHIELD-SOURCE COVER;SNB 46",EGI-SECC,0.8	1	SNA
..3		BN96-21729A	ASSY MISC P-CHASSIS TOP;Y2012, SNB 7K,8K	1	SNA
...4		BN02-00105A	TAPE ETC-CONNER;SNB,PET+D263-100H,0.05,8	4	SNA
...4		BN63-07229J	COVER-SHEET;rose70",SILICONE,T0.052,W7mm	4	SNA
...4	AC157	BN64-01965A	CHASSIS-TOP;SNB 46",SPCC,T0.6,1030.3,584	1	SNA
1		BN92-09866B	ASSY BOX;UE7000 46	1	SNA
.2		BH68-00662A	LABEL BOX-00;ALL MODEL,MOJO 90G,60,110,W	1	SNA
.2		BN69-07396E	BOX-04,SET;46UE7000-FS,CB,A-01,DW2,YEL,W	1	SNA
1		BN92-09870A	ASSY P/MATERIAL;UE7000 46	1	SNA
.2		6902-000379	BAG AIR;LDPE,T0.2,W1000,L1800,TRP,1260.0	1	SNA
.2	M040	6922-000003	BAND PP;PP,T0.8,W18,L1650M,TRP,DA69-9014	0	SNA
.2		BN68-02422B	LABEL-WARNING SHIPPING;ALL MODEL,A/P 100	1	SNA
.2		BN69-00257Y	PACKING-SHEET PALLET;PACKING SHEET PALLE	1	SNA
.2		BN69-03982L	PAD PACKING-EDGE;EDGE,PAPER,-,T5,W100,L2	1	SNA
.2		BN69-05418A	PACKING-BAG WRAPPING;-LDPE,-,0,019,500,	3	SNA
.2		BN69-06642A	PACKING-PAD;PAD,PAPER,-,-,CB-SW4,1300,10	1	SNA
.2		BN69-06680A	PACKING-BAG SHEET ROLL;-CB,-,FOAM 0,5mm	2	SNA
.2		BN69-07147A	CUSHION-SET;UE7000 46",EPS,16.7g/l	1	SNA
.2		BN69-07609G	PALLET;UE46ES6, UE46ES7000,WOOD,-,1120,1	1	SNA
.2		BN74-00008D	TAPE-OPP MASKING;OPP,T0.05,W75,L800M,CLR	3	SNA
1		BN92-10882L	ASSY LABEL;UE32EH6030WXXC	1	SNA
.2	T0527	BP68-00052B	LABEL-00,RATING;FPTV,PET,T0.05,93,73	1	SNA
1	ACCE1	BN92-10907E	ASSY ACCESSORY;UE7X,E7000	1	SNA
.2		BN68-04101B	LABEL-01,STICKER;UE8Y,EDC,PET,T0.05,60,1	1	SNA
.2	ACCE2	BN96-22250C	ASSY ACCESSORY-CABLE;UE7X,E7000	1	SNA
..3		3709-001732	CONNECTOR-CARD SLOT;68P,0.5mm,PCMCIA(onl	1	SA
..3	T0268	3903-000742	CBF-POWER CORD;DT,CEE,LP-21LR,250V,2.5A,	1	SA
..3		4301-000117	BATTERY-MN;1.5V,750mAH,R6,13.3X49.2,14.8	6	SNA
..3	T0120	4301-000121	BATTERY-MN;1.5V,R03,10.5x44.5m,HOLDER,7.	2	SNA
..3		6902-001719	BAG PE;LDPE,T0.05,W390,L330,TRP,RECYCLE	1	SNA
..3	REMO2	AA59-00631A	REMOCON;TM1290,14,3V,E8000, Europe	1	SA
..3	REMO2	AA59-00638A	REMOCON;TM1250B,SAMSUNG,49,3V,IDTV,NTV,	1	SA
..3	EC03	BN39-01154A	CBF SIGNAL;Chelsea Slim,24P/20P,30AWG,20	1	SA
..3		BN61-05491A	HOLDER-WIRE STAND;UB7000 46inch,NYRON	1	SNA
..3	M9889	BN63-01798B	CLOTH-CLEAN;CLOTH,180,200,sea blue,ToC	1	SNA
..3	EH03A	BN96-18153A	ASSY HOLDER P-RING;11 LED-TV	1	SNA
...4		6902-001404	BAG ZIPPER;LDPE,T0.05,W80,L100,TRP	1	SNA
...4	AH365	BN61-07295A	HOLDER-RING;40UD5500,ABS,BK0007,HB	4	SNA
.2	3DGLA	BN96-22902A	ASSY ACCESSORY 3D GLASSES;SSG-4100GB,IN-	1	SA

Exploded Views and Parts List

Level	Loc.	Part Code	Description & Specification	Qty.	SA/SNA
.2	M001A	BN96-22986A	ASSY MISC P-IR BLASTER;VG-IRB2000,Europe	1	SA
.2	ACCE4	BN96-23882J	ASSY ACCESSORY-MANUAL;UE**ES7000SXXC	1	SNA
..3		6902-000476	BAG PE;LDPE,T0.03,W250,L350,TRP,Recycle,	1	SNA
..3	T0527	BN68-00513A	LABEL-E,PASS;ALL MODEL,YUPO(110G),50X15,	1	SNA
..3		BN68-00514K	MANUAL FLYER-01,WARRANTY CARD;comm,Samsu	1	SNA
..3		BN68-03019A	LEAFLET-02,SAFETY GUIDE;ALL,SAMSUNG,28LE	1	SNA
..3		BN68-04060A	MANUAL USERS-04;UE7000,SAMSUNG,ENG/FRA/S	1	SNA
..3		BN68-04448B	LEAFLET-SMART EVOLUTION KIT GUIDE;ALL,SA	1	SNA
..3		BN68-04471A	LEAFLET-04,SMART INTERACTION;ALL,SAMSUNG	1	SNA
..3		BN68-04496B	LEAFLET-ACCESSORY GUIDE;ALL,SAMSUNG,ENG,	1	SNA
..3		BN68-04527A	LEAFLET-8000_50"65";ALL,SAMSUNG,ENG,EURO	1	SNA
..3		BN68-04581A	MANUAL FLYER-01,3D GLASSES GUIDE;SSG-410	1	SNA
..3		BN68-04638A	LEAFLET-01,ECO SENSOR GUIDE;UE7000 UE800	1	SNA
..3		BN68-04662A	LEAFLET-EU REGION;ALL,SAMSUNG,"ENG/FRA/S	1	SNA