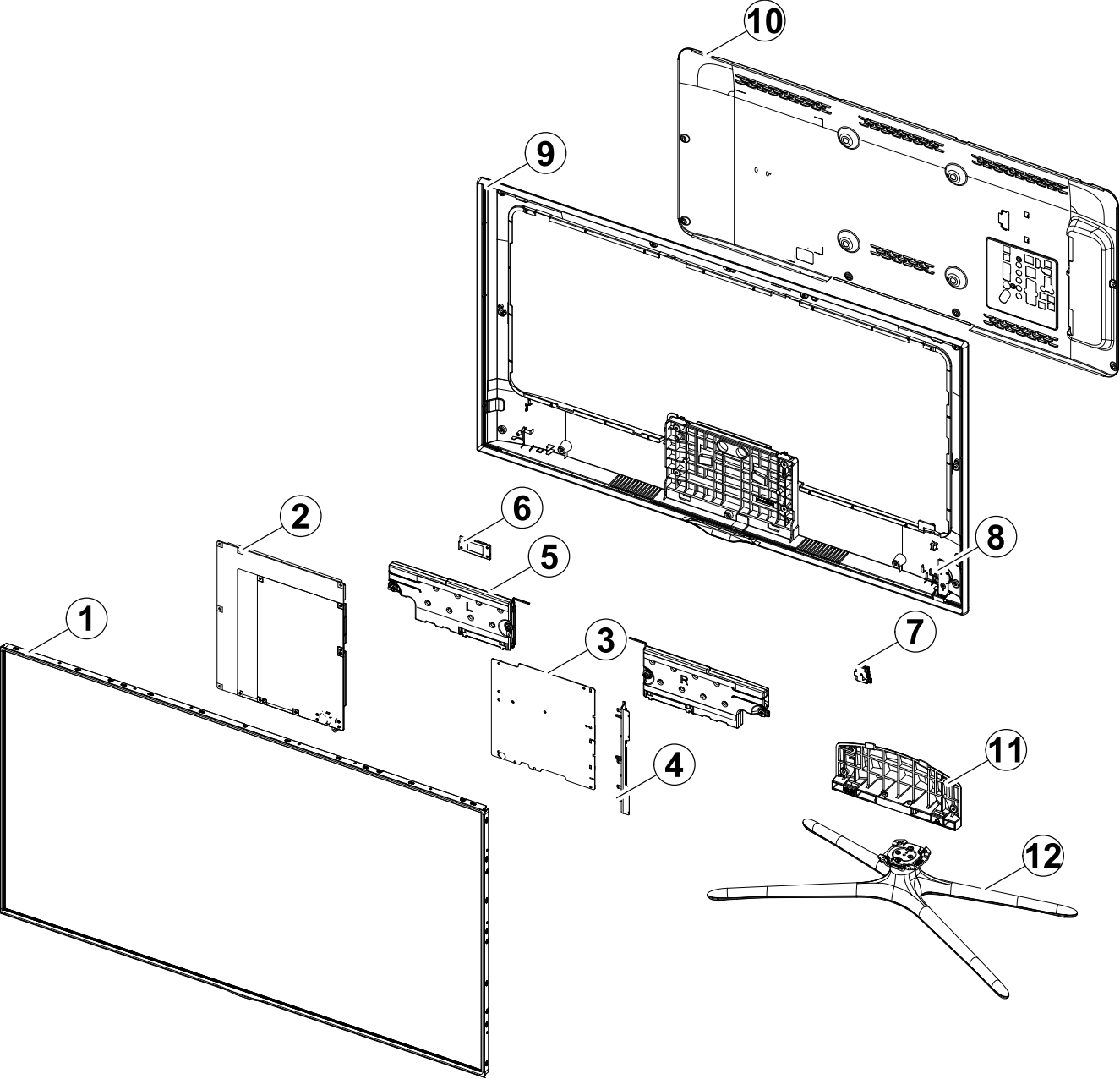


1. Exploded View & Part List

Exploded View



Parts List

No.	Lvl.	Loc.	Material Code	Description & Specification	SNA	Qty.
1	2	PANEL	BN95-00903A	PRODUCT LCD-AMLCD; LSF400HJ01,CY-GF400CSL	SA	1
2	2	P001A	BN44-00622B	DC VSS-LED TV PD BD; L42X1Q_DHS,L42X1Q_DH	SA	1
3	2	M0014	BN94-06221W	ASSY PCB MAIN; F6500	SA	1
4	3		BN61-08781A	HOLDER-SIDE AV; UF6100,HIPS,BK0020,HB,W/W	SNA	1
5	2	SP01A	BN96-25565A	ASSY SPEAKER P; 6ohm,10W,Enclosure_F6k	SA	1
6	3	NW01	BN59-01161A	NETWORK; WIDT-30Q,Internal WiFi,USB,IEEE8	SA	1
7	3	BT	BN96-25376A	ASSY BOARD P-RF-MODULE; Bluetooth Module,	SA	1
8	4	FB01A	BN96-26401R	ASSY BOARD P-JOG SWITCH & IR; UE40F6500,F	SA	1
9	3	M001A	BN96-26350C	ASSY COVER P-MIDDLE; UF6500 40,COPOLY V2/	SA	1
10	2	R001A	BN96-26354A	ASSY COVER P-REAR; UF6500 40,PCM T0.4	SA	1
11	2	SG01A	BN96-25543A	ASSY GUIDE P-STAND; UF6100 40,QUAD	SA	1
12	2	SB04A	BN96-25547C	ASSY STAND P-BASE; UF6400 40,EUROPE,Chrom	SA	1

2. Electrical Parts List

Level	Loc.	Part Code	Description & Specification	Qty.	SA/SNA
			UE40F6640SSXZG (TH01)		
1	R001A	BN90-03760A	ASSY COVER REAR;PE550 60	1	SNA
.2	SCREW	6003-001782	SCREW-TAPTYPE;BH,+,B,M4,L12,ZPC(BLK),SWR	3	SA
.2	R001A	BN96-26354A	ASSY COVER P-REAR;UF6500 40,PCM T0.4	1	SA
..3		BN63-09121C	SHEET-INSULATOR SMPS;UE5.5~UE6.8,40/46/5	1	SNA
..3	R001	BN63-10434A	COVER-REAR;UF6500 40,PCM,T0.45,BKN-P824	1	SNA
..3	T0071	BN64-02263J	INLAY-TERMINAL;UF6300, 55 ,EO/CIS/SATELL	1	SNA
..3		BN68-03518A	LABEL-STICKER;WW,ALL,70.6,72,LABEL-CI	1	SNA
..3		BN68-04709W	LABEL-TERMINAL SIDE;UF6400,EO/CIS SATELL	1	SNA
1	S001A	BN90-04144H	ASSY STAND;UF7500 40	1	SNA
.2	SG01A	BN96-25543A	ASSY GUIDE P-STAND;UF6100 40,QUAD	1	SA
..3	SG03	BN61-08823A	GUIDE-STAND;UF6100 55",PC+GF,G/F 20%	1	SA
..3		BN69-08751A	WRAP VINYL-SHRINK;STAND,PLASTIC OTHERS,P	0	SNA
..3		BN96-18013E	ASSY ACCESSORY-SCREW;6003-001782,4EA,ALL	2	SNA
..4	SCREW	6003-001782	SCREW-TAPTYPE;BH,+,B,M4,L12,ZPC(BLK),SWR	8	SA
..4		BN69-08203E	PACKING-BAG-SCREW;LDPE,0.05,70,90,TRP,Vi	2	SNA
.2	SB04A	BN96-25547C	ASSY STAND P-BASE;UF6400 40,EUROPE,Chrom	1	SA
..3		6002-001294	SCREW-TAPPING;BH,+,M4,L16,ZPC(BLK)	4	SA
..3	SCREW	6003-001315	SCREW-TAPTYPE;BH,+,B,M4,L20,ZPC(WHT),SWR	4	SNA
..3	SCREW	6003-001425	SCREW-TAPTYPE;BH,+,B,M4,L25,ZPC(BLK),SWR	1	SNA
..3	SCREW	6003-001785	SCREW-TAPTYPE;FH,+,B,M4,L8,ZPC(BLK),SWRC	4	SA
..3		BN61-07171C	HOLDER-SWIVEL, TOP;40 QUAD STAND,ACETAL,D	1	SNA
..3		BN61-07175A	BRACKET-SWIVEL, TOP;UD8000 32/3740 QUAD,S	1	SNA
..3		BN61-07738A	BRACKET-SWIVEL,BOTTOM;UD8000 37/40 QUAD,	1	SNA
..3		BN61-08733A	HOLDER-SWIVEL,BOTTOM;32-40 SLIM QUAD STA	1	SNA
..4		0103-009825	RESIN-POM;TS-25A,Dark Gray,GY0199,HB	4	SNA
..3		BN61-08734A	HOLDER-STAND,NECK;32-40 SLIM QUAD STAND,	1	SNA
..4		0103-007285	RESIN-PC;MW32020GFU,K032202GFV,BK0007,V2	100	SNA
..3		BN61-08735A	BRACKET-STAND, TOP;32-40 SLIM QUAD STAND,	1	SNA
..3		BN61-08736A	BRACKET-STAND,BOTTOM;32-40 SLIM QUAD STA	1	SNA
..3		BN63-05135E	COVER-SHEET;4-LEG,Rhcm PE Vinyl,T0.05,W6	1	SNA
..3		BN63-10154C	COVER-STAND TOP FRONT;Quad Chrome 32~40,	1	SNA
..3		BN63-10155C	COVER-STAND TOP REAR LEFT;Quad Chrome 32	1	SNA
..3		BN63-10156C	COVER-STAND TOP REAR RIGHT;Quad Chrome 3	1	SNA
..3		BN63-10157A	COVER-STAND,BASE;32-40 SLIM QUAD STAND,A	1	SNA
..4		0103-005041	RESIN-PC;FR3200TV,901408,BK0008,1.2mm V-	105	SNA
..4		BN68-00513D	LABEL-RESIN;resin,-,art paper,-,10,25,-,	1	SNA
..3		BN67-00385D	RUBBER-FOOT;RUBBER-FOOT,SILICONE,ROUND,1	4	SNA

Exploded Views and Parts List

Level	Loc.	Part Code	Description & Specification	Qty.	SA/SNA
...3	T0527	BN68-00513A	LABEL-E,PASS;ALL MODEL,YUPO(110G),40X15,	1	SNA
1		BN90-04578Q	ASSY W/I;UF6K	1	SNA
.2		BN81-08159Z	PART SET-ELEC W/I;UF4* ~ UF8* ELEC	1	SNA
.2		BN81-08365B	PART SET-MECH W/I;UF6S,U40FS*	1	SNA
1		BN90-04634F	ASSY COVER MIDDLE;UF6500 40	1	SNA
.2		6001-002755	SCREW-MACHINE;BH,+,M3,L6,ZPC(BLK),SWRCH1	15	SA
.2	M001A	BN96-29346B	ASSY COVER P-MIDDLE;UE40F65,,,,,BN96-263	1	SNA
...3	NW01	BN59-01161A	NETWORK;WIDT-30Q,Internal WiFi,USB,IEEE8	1	SA
...3	BT	BN96-25376A	ASSY BOARD P-RF-MODULE;Bluetooth Module,	1	SA
...4	AS BT	BN81-08545A	A/S-BT;Bluetooth Module SCREW	1	SNA
...4		BN97-07275A	ASSY MICOM-BLUETOOTH F/W;BN81-08385A	1	SNA
....5		BN81-08385A	AS-BLUETOOTH F/W;BLUETOOTH F/W	1	SNA
...3	M001A	BN96-26350C	ASSY COVER P-MIDDLE;UF6500 40,COPOLY V2/	1	SA
...4		0203-001598	TAPE-FILAMENT;#8915,0.15,12,55000,CLR	0	SNA
...4	SCREW	6003-000115	SCREW-TAPTYPE;BH,+,B,M3,L6,ZPC(BLK),SWRC	2	SA
...4		BN63-08608B	COVER-SHEET;RhcM,PE Vinyl,T 0.04,80MM,20	3	SNA
...4	R002A	BN63-10248C	COVER-MIDDLE;UF6500 40,COPOLY V2/NH PC+A	1	SNA
....5		0103-007678	RESIN-PC ABS;CF210M,6209G,BK0007,V0 (1.5	847	SNA
....5		0103-009551	RESIN-COPOLYESTER;W100/TR100,TP0010,V2	289	SNA
....5		BN63-10876A	COVER-HOT-STAMPING(FOIL);UF6640, UF6900,	3	SNA
....5		BN68-00513D	LABEL-RESIN;resin,-,art paper,-,10,25,-,	1	SNA
...4		BN63-10260A	COVER-DECORATION-LOGO;UF6500-40,PC,inclu	1	SNA
...4		BN63-10886A	COVER-SHEET;rose70",PET+SILICONE,T0.052,	6	SNA
...4	T0527	BN68-00513A	LABEL-E,PASS;ALL MODEL,YUPO(110G),40X15,	1	SNA
...4		BN74-00052A	TAPE-PAPER;LB550,Crepe Paper,0.18mm, 10m	0	SNA
...4	FB01A	BN96-26401R	ASSY BOARD P-JOG SWITCH & IR;UE40F6500,F	1	SA
....5	EC13	BN39-01772E	LEAD CONNECTOR;UE40F6500,Cable Connector	1	SNA
....5	5WAY	BN96-26401A	ASSY BOARD P-JOG SWITCH & IR;UE32F5000,F	1	SNA
1		BN91-10260A	ASSY SHIELD;6500,40,EUROPE	1	SNA
.2		6001-003016	SCREW-MACHINE;PWH,+,M3.0,L5.0,ZPC(WHT),S	9	SA
.2		BN02-00102B	TAPE FILAMENT;UE7000,#893,0.15,25,50,WHI	0	SNA
.2	EC13	BN39-01475A	LEAD CONNECTOR;UN32C6400,Flat Connector,	1	SA
.2	EC14	BN39-01744A	LEAD CONNECTOR-LED WIRE HARNESS;DIRECT w	1	SA
.2	P001A	BN44-00622B	DC VSS-LED TV PD BD;L42X1Q_DHS,L42X1Q_DH	1	SA
.2	LVDS	BN96-24278N	ASSY CABLE P-FFC;UE40F6470,FFC,251mm,51P	1	SA
.2	SP01A	BN96-25565A	ASSY SPEAKER P;6ohm,10W,Enclosure_F6k	1	SA
1		BN91-10300A	ASSY LCM-AMLCD;BN95-00903A,CY-JF400CSLV1	1	SNA
.2	PANEL	BN95-00903A	PRODUCT LCD-AMLCD;LSF400HJ01,CY-GF400CSL	1	SA
...3		6001-002757	SCREW-MACHINE;BH,+,M3,L4,ZPC(WHT),SWRCH1	2	SA
...3		6001-002759	SCREW-MACHINE;CH,+,M3,L4,ZPC(BLK),SWRCH1	9	SA

Level	Loc.	Part Code	Description & Specification	Qty.	SA/SNA
..3		BN02-00102B	TAPE FILAMENT;UE7000,#893,0.15,25,50,WHI	1	SNA
..3		BN02-00145A	TAPE PET-MASKKING;#8170,PET,0.1,25,BLK,Y	4	SNA
..3		BN68-02471A	LABEL-STICKER;WW,Art Paper,80,40,AV	1	SNA
..3		BN90-04452A	ASSY MISC-BLU;VNB,6.5K	1	SNA
...4		BN02-00152A	TAPE ETC-SHEET FIXING;Y13 Slim F-LED,PET	3	SNA
...4		BN60-00733A	SPACER-SHEET;Y13 VNB 40,PET,SB00.188T+MK	3	SNA
...4		BN61-09042A	LGP-DIFFUSESR PLATE;40inch VNB Diffuser	1	SNA
...4		BN61-09304A	SUPPORT-PLATE;Y13 SLIM / VNB,PC,WHT + CL	8	SNA
...4		BN63-10797A	SHEET-REFLECTOR;SY95_40inch_VNB,SHEET*,0	1	SNA
...4		BN63-10801A	SHEET-DIFFUSER;UTA10_40inch_VNB,SHEET*,0	1	SNA
..4		BN96-24889C	ASSY MISC P-CHASSIS BOTTOM;Y13 VNB 40"	1	SNA
....5		6001-002759	SCREW-MACHINE;CH,+,M3,L4,ZPC(BLK),SWRCH1	1	SA
....5		6001-003005	SCREW-MACHINE;BH,+,M3,L6,ZPC(WHT),SWRCH1	4	SNA
....5		BN02-00040C	TAPE DOUBLE FACE-D-PLATE;F-LED ALL,MKT50	2	SNA
....5		BN02-00134E	TAPE ETC-SHEET FIXING;SFLED 32/40/46/55/	6	SNA
....5		BN60-00717A	SPACER-SOURCE;Y13 VNB,Silicone-Rubber,L1	4	SNA
....5		BN61-08161A	HOLDER-LED-PCB;Direct-LED,PC,white	2	SNA
....6		0103-009493	RESIN-PC;LH-1070W,W92853,WT0107,V-2	2	SNA
....5		BN61-09041A	HOLDER-S-PCB;PC+ABS,BLK	4	SNA
....6		0103-005041	RESIN-PC;FR3200TV,901408,BK0008,1.2mm V-	20	SNA
....5		BN61-09049A	BRACKET-WALL MOUNT;Y13 ALL Model,SPCC,T1	4	SNA
....5		BN62-00338E	INSULATION-PD BOARD;Y13 SF-LED 39"~55",P	1	SNA
....5	CC02	BN64-02186A	CHASSIS-BOTTOM;Y13 VNB 40",EGI-SECC,T0.6	1	SNA
....5		BN96-25336A	ASSY BOARD P-D-LED INTERFACE;40inch Slim	1	SNA
...4		BN96-24893A	ASSY FRAME P-MOLD MIDDLE (LR);Y13 VNB 40	2	SNA
....5		BN60-00672B	SPACER-PANEL (LR);VNB-FLED 40",SILICON+T	2	SNA
....5		BN60-00721A	SPACER-LGP-LR;Y13 VNB 40",PET,L180,BLK,T	4	SNA
....5		BN61-08701A	FRAME-MOLD MIDDLE (LR);Y13 VNB 40",PC+AB	2	SNA
...4		BN96-24894A	ASSY FRAME P-MOLD MIDDLE (U);Y13 VNB 40"	1	SNA
....5		BN60-00718A	SPACER-LGP-U (A);Y13 VNB 40",PET,L77,BLK	6	SNA
....5		BN61-08702A	FRAME-MOLD MIDDLE (U);Y13 VNB 40",PC+ABS	1	SNA
...4		BN96-24895A	ASSY FRAME P-MOLD MIDDLE (D);Y13 VNB 40"	1	SNA
....5		BN60-00672A	SPACER-PANEL (UD);VNB-FLED 40",SILICON+T	2	SNA
....5		BN60-00719A	SPACER-LGP-D (A);Y13 VNB 40",PET,L99,BLK	4	SNA
....5		BN61-08703A	FRAME-MOLD MIDDLE (D);Y13 VNB 40",PC+ABS	1	SNA
....6		0103-009559	RESIN-PC;210GNH15,6919A,BK0007,PC ABS GF	17	SNA
...4		BN96-25304A	ASSY MISC P-LED BAR;40inch Slim Direct L	7	SA
...4		BN96-25305A	ASSY MISC P-LED BAR;40inch Slim Direct L	7	SA
..3	TCON	BN95-00858A	ASSY T CON;LSF400HF02,40 FHD 120 VNB	1	SA
...4		BN62-00371A	HEAT SINK-PS;F6000,A1050,ANODIZING,110*6	1	SNA

Exploded Views and Parts List

Level	Loc.	Part Code	Description & Specification	Qty.	SA/SNA
...4		BN62-00372B	HEAT SINK-PS;F5000/6000,A5052*,BLACK,32*	1	SNA
...4		BN97-06996A	ASSY SMD;BN95-00858A	1	SNA
....5		0202-001899	SOLDER-CREAM;M705-GRN360-K2-VT,25-36um,S	2	SNA
....5		0404-001640	DIODE-SCHOTTKY;SS1060HEWS,60V,1000mA,SOD	2	SA
....5		0404-001643	DIODE-SCHOTTKY;B360A,60V,3000mA,SMA,TP	1	SA
....5		0406-001317	DIODE-TVS;SMAJ14A,15.6/-/17.2V,400W,SMA	1	SNA
....5		0406-001324	DIODE-TVS;RClamp1502B,16.7/-/V,200W,SOT	2	SNA
....5		0406-001438	DIODE-TVS;SMCJ14A,15.6/-/17.2V,1500W,DO-	1	SA
....5		0406-001445	DIODE-TVS;RClamp7512N,2.7/2.8/2.9,300W,S	2	SA
....5		0406-001483	DIODE-TVS;ESD5B5.0ST1G,5,8V/- /7.8V,50W,	2	SA
....5		0406-001556	DIODE-TVS;NUP4114UCW1,6/-/V,180W,SC-88	3	SA
....5		0406-001578	DIODE-TVS;P4SMAJ40A,44.4,51.1,400W,SMA	1	SA
....5		0502-001331	TR-POWER;NSS30100LT1G,PNP,310mW,SOT-23,T	3	SA
....5		0502-001345	TR-POWER;FCX491A,NPN,1000mW,SOT89,TR,900	3	SA
....5		0502-001346	TR-POWER;FCX591A,PNP,1000mW,SOT89,TR,30/	2	SA
....5		0505-002826	FET-SILICON;ZXMN6A07F,N,60V,1A,0.4ohm,0.	1	SNA
....5		0505-003224	FET-SILICON;AO6405,P,-30V,-5A,0.052ohm,2	1	SA
....5	EL02	0601-002037	LED;SMD(TOP VIEW),BLUE,1.6x0.8mm,465/470	3	SA
....5		0801-003292	IC-CMOS LOGIC;7WB66,Bus Switch,MAB08A,8P	1	SA
....5		1105-002227	IC-DDR3 SDRAM;K4B1G1646G-BCK0,DDR3 SDRAM	1	SA
....5		1201-003130	IC-OP AMP;iML2811SEC,TDFN-EP,TP,8P,3x3mm	1	SA
....5		1203-006130	IC-POSI.FIXED REG.;S-1172B25-U5T1G,SOT-8	1	SA
....5		1203-006138	IC-POSI.ADJUST REG.;AP1117DGZ-13-89,TO-2	1	SA
....5		1203-006999	IC-DC/DC CONVERTER;SM4152,QFN,48P,7x7mm,	1	SNA
....5		1203-007447	IC-VOL. GENERATOR;RT6503GQW,QFN,48Z30,7x	1	SNA
....5		1203-007552	IC-DC/DC CONVERTER;TPS56921PWPR,HTSSOP,2	1	SA
....5		1204-003406	IC-VIDEO PROCESS;SDP1203,HSFCBGA,756Z30,	1	SA
....5	IS01	1209-002183	IC-SENSOR;S-5851AAA-M6T1U,SOT,6Z30,2.9x1	1	SA
....5		1404-001731	THERMISTOR-NTC;33Kohm,4050K,1mW/C,TP,1.6	1	SNA
....5		2007-000034	R-CHIP;1ohm,5%,1/4W,TP,3216	1	SNA
....5		2007-000040	R-CHIP;150ohm,1%,1/10W,TP,1608	2	SNA
....5		2007-000043	R-CHIP;1Kohm,1%,1/10W,TP,1608	4	SA
....5		2007-000052	R-CHIP;10Kohm,1%,1/10W,TP,1608	3	SA
....5		2007-000060	R-CHIP;100Kohm,1%,1/10W,TP,1608	1	SNA
....5		2007-000063	R-CHIP;150Kohm,1%,1/10W,TP,1608	1	SA
....5		2007-000066	R-CHIP;20Kohm,1%,1/10W,TP,1608	1	SNA
....5		2007-000067	R-CHIP;15Kohm,1%,1/10W,TP,1608	1	SNA
....5		2007-000070	R-CHIP;0ohm,5%,1/10W,TP,1608	14	SA
....5		2007-000109	R-CHIP;1Mohm,5%,1/10W,TP,1608	1	SA
....5		2007-000138	R-CHIP;100ohm,5%,1/16W,TP,1005	9	SA

Level	Loc.	Part Code	Description & Specification	Qty.	SA/SNA
....5		2007-000140	R-CHIP;1Kohm,5%,1/16W,TP,1005	2	SNA
....5		2007-000143	R-CHIP;4.7Kohm,5%,1/16W,TP,1005	11	SNA
....5		2007-000148	R-CHIP;10Kohm,5%,1/16W,TP,1005	8	SA
....5		2007-000171	R-CHIP;0ohm,5%,1/16W,TP,1005	9	SNA
....5		2007-000256	R-CHIP;1.6Kohm,1%,1/10W,TP,1608	1	SA
....5		2007-000336	R-CHIP;120Kohm,1%,1/10W,TP,1608	4	SA
....5		2007-000455	R-CHIP;18Kohm,1%,1/10W,TP,1608	2	SA
....5		2007-000516	R-CHIP;2.7Kohm,1%,1/10W,TP,1608	3	SNA
....5		2007-000726	R-CHIP;300ohm,1%,1/10W,TP,1608	2	SA
....5		2007-000736	R-CHIP;30Kohm,1%,1/10W,TP,1608	2	SA
....5		2007-000772	R-CHIP;33Kohm,1%,1/10W,TP,1608	1	SA
....5		2007-000779	R-CHIP;33ohm,1%,1/10W,TP,1608	1	SA
....5		2007-000869	R-CHIP;4.7Kohm,1%,1/10W,TP,1608	1	SA
....5		2007-000962	R-CHIP;5.1Kohm,1%,1/10W,TP,1608	4	SA
....5		2007-000979	R-CHIP;5.6Kohm,1%,1/10W,TP,1608	1	SA
....5		2007-001038	R-CHIP;56Kohm,1%,1/10W,TP,1608	1	SA
....5		2007-001125	R-CHIP;68Kohm,1%,1/10W,TP,1608	1	SA
....5		2007-001139	R-CHIP;7.5Kohm,1%,1/10W,TP,1608	1	SA
....5		2007-001153	R-CHIP;750ohm,1%,1/10W,TP,1608	1	SA
....5		2007-001175	R-CHIP;8.2Kohm,1%,1/10W,TP,1608	1	SA
....5		2007-001206	R-CHIP;82Kohm,1%,1/10W,TP,1608	1	SNA
....5		2007-001433	R-CHIP;12Kohm,1%,1/10W,TP,1608	2	SA
....5		2007-002437	R-CHIP;2ohm,5%,1/10W,TP,1608	3	SNA
....5		2007-002899	R-CHIP;10ohm,1%,1/10W,TP,1608	18	SA
....5		2007-002900	R-CHIP;11Kohm,1%,1/10W,TP,1608	1	SNA
....5		2007-007107	R-CHIP;100Kohm,1%,1/16W,TP,1005	1	SNA
....5		2007-007136	R-CHIP;4.7Kohm,1%,1/16W,TP,1005	10	SNA
....5		2007-007156	R-CHIP;1ohm,5%,1/16W,TP,1005	2	SNA
....5		2007-007306	R-CHIP;100ohm,1%,1/16W,TP,1005	18	SNA
....5		2007-007309	R-CHIP;12Kohm,1%,1/16W,TP,1005,0.35	2	SA
....5		2007-007312	R-CHIP;20Kohm,1%,1/16W,TP,1005	1	SA
....5		2007-007316	R-CHIP;3.3Kohm,1%,1/16W,TP,1005	2	SNA
....5		2007-007318	R-CHIP;1Kohm,1%,1/16W,TP,1005	11	SNA
....5		2007-007517	R-CHIP;240ohm,1%,1/16W,TP,1005	3	SNA
....5		2007-007651	R-CHIP;9.1Kohm,1%,1/10W,TP,1608	3	SA
....5		2007-007698	R-CHIP;5.1Kohm,1%,1/16W,TP,1005	1	SNA
....5		2007-007766	R-CHIP;2Kohm,1%,1/16W,TP,1005	5	SNA
....5		2007-007798	R-CHIP;10ohm,1%,1/16W,TP,1005	32	SA
....5		2007-008015	R-CHIP;75ohm,1%,1/16W,TP,1005	18	SNA
....5		2007-008117	R-CHIP;2.7Kohm,1%,1/16W,TP,1005	1	SA

Exploded Views and Parts List

Level	Loc.	Part Code	Description & Specification	Qty.	SA/SNA
....5	AD480	2203-000257	C-CER,CHIP;10nF,10%,50V,X7R,TP,1608	4	SA
....5	AD480	2203-000489	C-CER,CHIP;2.2nF,10%,50V,X7R,TP,1005	2	SA
....5	AD480	2203-000995	C-CER,CHIP;0.047nF,5%,50V,C0G,TP,1005	2	SA
....5	AD480	2203-001126	C-CER,CHIP;0.68nF,10%,50V,X7R,TP,1608	1	SNA
....5	AD480	2203-001697	C-CER,CHIP;0.082nF,5%,50V,NP0,TP,1608	2	SA
....5	AD480	2203-001851	C-CER,CHIP;0.016nF,5%,50V,NP0,TP,1608	2	SNA
....5	AD480	2203-002711	C-CER,CHIP;100nF,10%,25V,X7R,TP,1608	3	SA
....5	AD480	2203-002982	C-CER,CHIP;6.8nF,10%,50V,X7R,TP,1005	1	SA
....5	AD480	2203-005138	C-CER,CHIP;1.8nF,10%,50V,X7R,TP,1005	3	SA
....5	AD480	2203-005249	C-CER,CHIP;100nF,10%,50V,X7R,TP,1608	8	SNA
....5	AD480	2203-005344	C-CER,CHIP;22nF,10%,25V,X7R,TP,1005,0.5T	3	SNA
....5	AD480	2203-005918	C-CER,CHIP;1000nF,10%,6.3V,X7R,TP,1608	2	SNA
....5	AD480	2203-006048	C-CER,CHIP;100nF,10%,10V,X7R,TP,1005	9	SA
....5	AD480	2203-006158	C-CER,CHIP;100nF,10%,16V,X7R,TP,1005,0.5	61	SNA
....5	AD480	2203-006320	C-CER,CHIP;2200nF,10%,16V,X7R,TP,2012	1	SNA
....5	AD480	2203-006348	C-CER,CHIP;1000nF,10%,25V,X5R,TP,1608,0.	2	SA
....5	AD480	2203-006427	C-CER,CHIP;4700nF,10%,16V,X5R,TP,2012	1	SA
....5	AD480	2203-006474	C-CER,CHIP;22000nF,20%,6.3V,X5R,TP,2012	6	SA
....5	AD480	2203-006562	C-CER,CHIP;1000nF,10%,10V,X5R,TP,1005	2	SNA
....5	AD480	2203-006698	C-CER,CHIP;1000nF,10%,25V,X7R,TP,1608,0.	9	SNA
....5	AD480	2203-006890	C-CER,CHIP;10000nF,20%,6.3V,X5R,TP,1608	8	SNA
....5	AD480	2203-006960	C-CER,CHIP;1000nF,10%,50V,X7R,TP,2012	2	SNA
....5	AD480	2203-007240	C-CER,CHIP;22000nF,20%,6.3V,X5R,TP,1608,	3	SA
....5	AD480	2203-007270	C-CER,CHIP;10000nF,10%,10V,X5R,TP,1608,0	13	SNA
....5	AD480	2203-007306	C-CER,CHIP;10000nF,10%,25V,X5R,TP,2012,1	31	SNA
....5		2409-001118	C-POLYMER ,CHIP;47uF,20%,10V,WT,TP,3.5X2	1	SA
....5		2409-001240	C-ORGANIC,SMD;33uF,20%,25V,LR,TP,7343(1.	1	SA
....5		2703-003747	INDUCTOR-SMD;22uH,20%,6060,0.135ohm,1300	2	SA
....5		2703-003803	INDUCTOR-SMD;4.7uH,20%,6060,0.031ohm,270	1	SA
....5		2703-003862	INDUCTOR-SMD;10uH,20%,6060,0.065ohm,1900	1	SA
....5		2703-003867	INDUCTOR-SMD;22uH,20%,4040,1.8T,0.29Ohm,	1	SA
....5		2703-003937	INDUCTOR-SMD;1uH,20%,7.0x6.47x3.0mm,0.00	1	SA
....5		2703-004199	INDUCTOR-SMD;10uH,20%,7066,2.2mm,0.101Oh	1	SNA
....5		2801-003954	CRYSTAL-SMD;27MHz,30ppm,28-AAN,16pF,50oh	1	SA
....5		3301-002039	BEAD-SMD;26ohm,1608,TP	24	SA
....5		3601-001386	FUSE-SURFACE MOUNT;125V,5A,FAST-ACTING,C	1	SA
....5		3708-002157	CONNECTOR-FPC/FFC/PIC;80P,0.5mm,SMD-A,AU	2	SNA
....5	EH01	3711-005601	HEADER-BOARD TO CABLE;BOX,8P,1R,2mm,SMD-	1	SA
....5	EH01	3711-005925	HEADER-BOARD TO CABLE;BOX,51P,1R,0.5mm,S	1	SA
....5		6302-001290	GASKET;SMR-TS-4-4.5-3,4.0mm,Ni+Au+SUS+Mg	4	SNA

Level	Loc.	Part Code	Description & Specification	Qty.	SA/SNA
....5		BN41-01939B	PCB MAIN;2013 FHD 120Hz/240Hz,FR-4,4,1.2	1	SNA
....5		BN97-07132A	ASSY MICOM;F40A1F0611_011d,2013.02.16	1	SNA
....6		1107-002224	IC-FLASH MEMORY;W25X40CLSSIG,4Mbit,SOP,8	1	SNA
..3	OC-TC	BN96-24429D	ASSY CABLE P-FFC;E7000,FFC,60mm 1,80P	2	SNA
..3		BN96-24842A	ASSY OPEN CELL;LSF400HF02-A,8bit,40 INCH	1	SNA
...4		BN81-07435A	A/S-ADHESIVE-A.C.F;ADHESIVE-A.C.F,2-ADHE	1	SNA
...4		BN81-07880B	A/S-IC DRIVER SOURCE;IC DRIVER SOURCE,13	1	SNA
...4		BN81-07891A	A/S-POLARIZER-C/F;8-POLARIZER-C/F	1	SNA
...4		BN81-07903A	A/S-POLARIZER-TFT;POLARIZER-TFT	1	SNA
...4		BN81-07921B	A/S-ASSY PCB-SOURCE LEFT;ASSY PCB-SOURCE	1	SNA
...4		BN81-07922B	A/S-ASSY PCB-SOURCE RIGHT;ASSY PCB-SOURC	1	SNA
...4		BN81-07943A	A/S-ADHESIVE-A.C.F(TP500B);ADHESIVE-A.C.	1	SNA
..3	TC01A	BN96-24885A	ASSY MISC P-CHASSIS TOP;Y13 VNB 40"	1	SNA
...4		BN60-00735A	SPACER-TOP(UD);Y13 VNB 40",PET,L890,BLK,	2	SNA
...4		BN60-00736A	SPACER-TOP(LR);Y13 VNB 40",PET,L500,BLK,	2	SNA
...4		BN63-07229J	COVER-SHEET;rose70",SILICONE,T0.052,W7mm	3	SNA
...4		BN63-10494A	COVER-SHEET;rose70",urethane,T0.052,W9.5	1	SNA
...4	AC157	BN64-02182A	CHASSIS-TOP;Y13 VNB 40",SPCC,T0.6,W900.6	1	SNA
..3		BN96-26403A	ASSY COVER P-SOURCE L;Y13 VNB 40",BN63-1	1	SNA
...4		BN63-10504A	COVER-S-PCB L;VNB 40,ABS,BLK	1	SNA
..3		BN96-26404A	ASSY COVER P-SOURCE R;Y13 VNB 40",BN63-1	1	SNA
...4	T0073	AA63-01158A	GASKET-EMI;L620,Polyurethane,2.0mm,15.0m	2	SNA
...4		BN63-10505A	COVER-S-PCB R;VNB 40,ABS,BLK	1	SNA
....5		0103-007797	RESIN-ABS;EA-0640,K2007,HB	14	SNA
1	M0017	BN91-10427W	ASSY CHASSIS;F6500	1	SNA
..2	M0014	BN94-06221W	ASSY PCB MAIN;F6500	1	SA
..3		BN61-08781A	HOLDER-SIDE AV;UF6100,HIPS,BK0020,HB,W/W	1	SNA
...4		0103-004628	RESIN-HIPS;HF-1690H,K2901,BK0020,1.5mm H	13	SNA
..3		BN62-00365B	HEAT SINK-PS;F 4k,5k,6k,A1050,ANODIZING,	1	SNA
..3		BN62-00367A	PAD GAP;F6400,SILICON,35 35 mm,6.5,Light	1	SNA
..3		BN67-00364C	RUBBER-FOOT;X13,RUBBER,10*10,6,Dark Gray	1	SNA
..3		BN97-07073F	ASSY SMD;F6500,EUROPE	1	SNA
...4		0202-001899	SOLDER-CREAM;M705-GRN360-K2-VT,25-36um,S	5	SNA
...4	DS01A	0401-001056	DIODE-SWITCHING;MMBD4148SE,100V,200mA,SO	2	SA
...4		0403-001783	DIODE-ZENER;BZB84-C6V2,5.8/6.6V,300mW,SO	4	SNA
...4		0404-001404	DIODE-SCHOTTKY;BAT721C,40V,200mA,SOT-23,	3	SA
...4		0404-001787	DIODE-SCHOTTKY;SS3P4,40V,3000mA,DO-220AA	3	SA
...4		0406-001200	DIODE-TVS;RCLAMP0504F,6/-V,150W,SC-70	4	SA
...4		0406-001271	DIODE-TVS;RCLAMP0524P,6/-V,150W,SLP251	1	SNA
...4		0406-001290	DIODE-TVS;3.0SMCJ20A,22.2/-/24.5V,3000W,	1	SNA

Exploded Views and Parts List

Level	Loc.	Part Code	Description & Specification	Qty.	SA/SNA
...4		0501-000279	TR-SMALL SIGNAL;KSA1182-Y,PNP,150mW,SOT-	2	SA
...4		0501-000445	TR-SMALL SIGNAL;KTC3875S-Y,NPN,150mW,SOT	10	SC
...4		0505-000110	FET-SILICON;2N7002,N,60V,115mA,7.5ohm,0.	10	SA
...4		0505-002560	FET-SILICON;AO6415,P,-20V,-3.3A,0.15ohm,	1	SA
...4		0505-002598	FET-SILICON;AP2317GN,P,-20V,-4.2A,0.052o	1	SA
...4		0801-002701	IC-CMOS LOGIC;74VHCT125A,BUFFER,TSSOP,14	1	SA
...4		0801-002780	IC-CMOS LOGIC;74LVC1G17,SCHMITT-TRIGGER	1	SA
...4		0801-003330	IC-CMOS LOGIC;Octal buffer,DQFN,20P,4.5x	2	SA
...4		0904-002803	IC-USC;AU6258S-JKF,QFN,28Z30,5.0mm X 5.0	1	SNA
...4		1001-001545	IC-ANALOG MULTIPLEX;TS3USB221ERSER,R-PQF	1	SA
...4		1103-001487	IC-EEPROM;AT24C256C-SSHL-T,256Kbit,32Kx8	1	SA
...4		1105-002338	IC-DDR3 SDRAM;K4B4G1646B-HCMA,DDR3 1866,	1	SA
...4		1105-002430	IC-DDR3 SDRAM;K4B2G1646E-BCMA,DDR3 1866,	2	SA
...4		1201-003183	IC-AUDIO AMP;DRV612,HTSSOP,14P,5x4.4mm,D	1	SA
...4		1201-003526	IC-AUDIO AMP;TAS5745,QFP,48Z30,7x7mm,DUA	1	SNA
...4		1203-004364	IC-VOL. DETECTOR;RT9818C-42PV,SOT-23,3P,	1	SA
...4		1203-006109	IC-POSI.FIXED REG.;S-1206B33-M3T1G,SOT-2	2	SA
...4		1203-006130	IC-POSI.FIXED REG.;S-1172B25-U5T1G,SOT-8	1	SA
...4		1203-006135	IC-POSI.FIXED REG.;AP1117D-33-GZ-13-89,T	1	SA
...4		1203-006136	IC-POSI.FIXED REG.;AP1117D-18-GZ-13-89,T	1	SA
...4		1203-006138	IC-POSI.ADJUST REG.;AP1117DGZ-13-89,TO-2	1	SA
...4		1203-007211	IC-POSI.FIXED REG.;G9915-12T45U,TO-252,3	1	SA
...4		1203-007238	IC-PWM CONTROLLER;TPS54427,DDA,8P,4.8x3.	1	SNA
...4		1203-007242	IC-POSI.ADJUST REG.;G2992BP11U,SOP-8,8P,	1	SA
...4		1203-007502	IC-DC/DC CONVERTER;AOZ3011PI,SO-8,8Z30,4	1	SA
...4		1203-007667	IC-DC/DC CONVERTER;A8303SESTR-T,QFN,20Z3	1	SNA
...4		1203-007695	IC-DC/DC CONVERTER;AOZ3018,SO-8,8Z30,4.9	1	SNA
...4		1203-007728	IC-VOL. DETECTOR;RT9831GQW,QW : WQFN-20L	1	SA
...4		1204-003421	IC-DECODER;SEMS30,PBGA,729Z30,21.6x21.6m	1	SA
...4		1205-004447	IC-SWITCH;TPS2051CDBVR,SOT23-5,5P,3x1.65	4	SA
...4		1205-004691	IC-SWITCH;BD82022FVJ,MSOP-8L JEDEC,8Z30,	1	SNA
...4		1405-001271	VARISTOR;35V,20Vdc,5A,1.0x0.5x0.6mm,TP,1	28	SA
...4		2007-000137	R-CHIP;2Kohm,5%,1/16W,TP,1005	13	SNA
...4		2007-000138	R-CHIP;100ohm,5%,1/16W,TP,1005	12	SA
...4		2007-000142	R-CHIP;2.7Kohm,5%,1/16W,TP,1005	1	SNA
...4		2007-000143	R-CHIP;4.7Kohm,5%,1/16W,TP,1005	52	SNA
...4		2007-000148	R-CHIP;10Kohm,5%,1/16W,TP,1005	42	SA
...4		2007-000153	R-CHIP;22Kohm,5%,1/16W,TP,1005	6	SNA
...4		2007-000155	R-CHIP;27Kohm,5%,1/16W,TP,1005	1	SNA
...4		2007-000157	R-CHIP;47Kohm,5%,1/16W,TP,1005	16	SNA

Level	Loc.	Part Code	Description & Specification	Qty.	SA/SNA
...4		2007-000170	R-CHIP;1Mohm,5%,1/16W,TP,1005	3	SNA
...4		2007-000171	R-CHIP;0ohm,5%,1/16W,TP,1005	13	SNA
...4		2007-000172	R-CHIP;10ohm,5%,1/16W,TP,1005	5	SNA
...4		2007-000173	R-CHIP;22ohm,5%,1/16W,TP,1005	13	SNA
...4		2007-000174	R-CHIP;47ohm,5%,1/16W,TP,1005	2	SNA
...4		2007-000256	R-CHIP;1.6Kohm,1%,1/10W,TP,1608	1	SA
...4		2007-000336	R-CHIP;120Kohm,1%,1/10W,TP,1608	1	SA
...4		2007-000583	R-CHIP;22Kohm,1%,1/10W,TP,1608	2	SA
...4		2007-000695	R-CHIP;3.3ohm,5%,1/10W,TP,1608	2	SNA
...4		2007-000775	R-CHIP;33Kohm,5%,1/16W,TP,1005	1	SNA
...4		2007-000803	R-CHIP;36Kohm,1%,1/10W,TP,1608	2	SA
...4		2007-000857	R-CHIP;4.3Kohm,1%,1/10W,TP,1608	5	SNA
...4		2007-000932	R-CHIP;470ohm,5%,1/16W,TP,1005	3	SNA
...4		2007-000979	R-CHIP;5.6Kohm,1%,1/10W,TP,1608	1	SA
...4		2007-001116	R-CHIP;680ohm,1%,1/10W,TP,1608	1	SA
...4		2007-001125	R-CHIP;68Kohm,1%,1/10W,TP,1608	1	SA
...4		2007-001168	R-CHIP;75ohm,5%,1/4W,TP,3216	1	SA
...4		2007-001288	R-CHIP;18ohm,5%,1/16W,TP,1005	4	SA
...4		2007-001292	R-CHIP;33ohm,5%,1/16W,TP,1005	15	SNA
...4		2007-001298	R-CHIP;51ohm,5%,1/16W,TP,1005	2	SNA
...4		2007-001301	R-CHIP;68ohm,5%,1/16W,TP,1005	7	SA
...4		2007-002970	R-CHIP;56ohm,5%,1/16W,TP,1005	4	SA
...4		2007-003015	R-CHIP;2.2ohm,5%,1/16W,TP,1005	1	SNA
...4		2007-003022	R-CHIP;62ohm,5%,1/16W,TP,1005	26	SNA
...4		2007-007001	R-CHIP;3.9Kohm,5%,1/16W,TP,1005	1	SA
...4		2007-007095	R-CHIP;390ohm,5%,1/16W,TP,1005	1	SA
...4		2007-007107	R-CHIP;100Kohm,1%,1/16W,TP,1005	8	SNA
...4		2007-007135	R-CHIP;18Kohm,1%,1/16W,TP,1005	4	SNA
...4		2007-007138	R-CHIP;27Kohm,1%,1/16W,TP,1005	1	SNA
...4		2007-007139	R-CHIP;47Kohm,1%,1/16W,TP,1005	1	SA
...4		2007-007142	R-CHIP;10Kohm,1%,1/16W,TP,1005	2	SNA
...4		2007-007156	R-CHIP;1ohm,5%,1/16W,TP,1005	13	SNA
...4		2007-007238	R-CHIP;8.25Kohm,1%,1/10W,TP,1608	1	SA
...4		2007-007316	R-CHIP;3.3Kohm,1%,1/16W,TP,1005	3	SNA
...4		2007-007318	R-CHIP;1Kohm,1%,1/16W,TP,1005	33	SNA
...4		2007-007331	R-CHIP;90.9Kohm,1%,1/10W,TP,1608	1	SA
...4		2007-007463	R-CHIP;1.1Kohm,1%,1/16W,TP,1005	1	SA
...4		2007-007470	R-CHIP;7.5Kohm,1%,1/16W,TP,1005	1	SNA
...4		2007-007517	R-CHIP;240ohm,1%,1/16W,TP,1005	4	SNA
...4		2007-007538	R-CHIP;56Kohm,1%,1/16W,TP,1005	1	SA

Exploded Views and Parts List

Level	Loc.	Part Code	Description & Specification	Qty.	SA/SNA
...4		2007-007766	R-CHIP;2Kohm,1%,1/16W,TP,1005	5	SNA
...4		2007-007942	R-CHIP;1Mohm,1%,1/16W,TP,1005	1	SNA
...4		2007-007981	R-CHIP;180Kohm,1%,1/16W,TP,1005	1	SNA
...4		2007-008015	R-CHIP;75ohm,1%,1/16W,TP,1005	11	SNA
...4		2007-008133	R-CHIP;56.2Kohm,1%,1/10W,TP,1608	1	SA
...4		2007-008137	R-CHIP;24Kohm,1%,1/16W,TP,1005	2	SNA
...4		2007-008275	R-CHIP;30Kohm,1%,1/16W,TP,1005	1	SNA
...4		2007-008298	R-CHIP;49.9ohm,1%,1/16W,TP,1005	4	SA
...4		2007-008426	R-CHIP;12.4Kohm,1%,1/10W,TP,1608	1	SA
...4		2007-008649	R-CHIP;220ohm,1%,1/16W,TP,1005	1	SNA
...4		2007-008807	R-CHIP;53.6Kohm,1%,1/16W,TP,1005	1	SA
...4		2011-001261	R-NETWORK;33ohm,5%,1/16W,L,CHIP,8P,TP,2.	2	SA
...4		2011-001262	R-NETWORK;22ohm,5%,1/16W,L,CHIP,8P,TP,2.	3	SA
...4		2011-001344	R-NETWORK;100ohm,5%,1/16W,L,CHIP,8P,TP,2	4	SA
...4		2011-001449	R-NETWORK;22ohm,5%,1/16W,L,4P,TP,1010	6	SA
...4		2011-001506	R-NETWORK;10Kohm,5%,1/16W,L,CHIP,4P,TP,1	6	SNA
...4		2011-001527	R-NETWORK;4.7Kohm,5%,1/16W,L,CHIP,4P,TP,	5	SNA
...4		2011-001587	R-NETWORK;100ohm,5%,1/16W,L,CHIP-V,4P,TP	6	SNA
...4	AD480	2203-000233	C-CER,CHIP;0.1nF,5%,50V,C0G,TP,1005	6	SA
...4	AD480	2203-000386	C-CER,CHIP;0.015nF,5%,50V,C0G,TP,1005	3	SA
...4	AD480	2203-000425	C-CER,CHIP;0.018nF,5%,50V,C0G,TP,1005	3	SA
...4	AD480	2203-000438	C-CER,CHIP;1nF,10%,50V,X7R,TP,1005	10	SA
...4	AD480	2203-000489	C-CER,CHIP;2.2nF,10%,50V,X7R,TP,1005	8	SA
...4	AD480	2203-000530	C-CER,CHIP;2.7nF,10%,50V,X7R,TP,1005,-	1	SNA
...4	AD480	2203-000575	C-CER,CHIP;220nF,10%,25V,X7R,TP,2012	6	SNA
...4	AD480	2203-000679	C-CER,CHIP;0.027nF,5%,50V,C0G,TP,1005	2	SA
...4	AD480	2203-000812	C-CER,CHIP;0.033nF,5%,50V,C0G,TP,1005	5	SA
...4	AD480	2203-000995	C-CER,CHIP;0.047nF,5%,50V,C0G,TP,1005	3	SA
...4	AD480	2203-002285	C-CER,CHIP;10nF,10%,50V,X7R,TP,1005	23	SNA
...4	AD480	2203-002525	C-CER,CHIP;0.56nF,10%,50V,X7R,TP,1005	4	SNA
...4	AD480	2203-002711	C-CER,CHIP;100nF,10%,25V,X7R,TP,1608	3	SA
...4	AD480	2203-003039	C-CER,CHIP;0.008nF,0.25pF,50V,C0G,TP,100	2	SNA
...4	AD480	2203-005083	C-CER,CHIP;220nF,10%,50V,X7R,TP,1608,0.8	2	SA
...4	AD480	2203-005249	C-CER,CHIP;100nF,10%,50V,X7R,TP,1608	5	SNA
...4	AD480	2203-005344	C-CER,CHIP;22nF,10%,25V,X7R,TP,1005,0.5T	2	SNA
...4	AD480	2203-005642	C-CER,CHIP;0.22nF,5%,50V,NP0,TP,1005	2	SNA
...4	AD480	2203-005968	C-CER,CHIP;4.7nF,10%,50V,X7R,TP,1005,0.5	2	SNA
...4	AD480	2203-006048	C-CER,CHIP;100nF,10%,10V,X7R,TP,1005	121	SA
...4	AD480	2203-006126	C-CER,CHIP;47nF,10%,16V,X7R,TP,1005	17	SNA
...4	AD480	2203-006324	C-CER,CHIP;2200nF,10%,10V,X5R,TP,1608	6	SA

Level	Loc.	Part Code	Description & Specification	Qty.	SA/SNA
...4	AD480	2203-006348	C-CER,CHIP;1000nF,10%,25V,X5R,TP,1608,0.	4	SA
...4	AD480	2203-006361	C-CER,CHIP;10000nF,10%,10V,X5R,TP,2012	25	SC
...4	AD480	2203-006474	C-CER,CHIP;22000nF,20%,6.3V,X5R,TP,2012	26	SA
...4	AD480	2203-006562	C-CER,CHIP;1000nF,10%,10V,X5R,TP,1005	19	SNA
...4	AD480	2203-006824	C-CER,CHIP;4700nF,10%,10V,X5R,TP,1608,-	10	SNA
...4	AD480	2203-006890	C-CER,CHIP;10000nF,20%,6.3V,X5R,TP,1608	23	SNA
...4	AD480	2203-006960	C-CER,CHIP;1000nF,10%,50V,X7R,TP,2012	1	SNA
...4	AD480	2203-006992	C-CER,CHIP;0.33nF,5%,50V,COG,TP,1005	2	SNA
...4	AD480	2203-007176	C-CER,CHIP;10000nF,10%,16V,X5R,TP,2012,1	8	SNA
...4	AD480	2203-007513	C-CER,CHIP;10000nF,10%,10V,X5R,TP,1608,0	4	SA
...4	AD480	2203-007544	C-CER,CHIP;100nF,10%,50V,X7R,TP,1005	4	SA
...4		2402-001403	C-AL,SMD;100uF,20%,35V,TP,10.3X10.3	1	SNA
...4		2703-000158	INDUCTOR-SMD;1uH,10%,2012,.40ohm,50mA,45,	4	SA
...4		2703-000408	INDUCTOR-SMD;3.3uH,20%,3225,.28ohm,500mA	1	SA
...4		2703-001229	INDUCTOR-SMD;2.2uH,10%,1608,1.150hm,15mA	1	SC
...4		2703-001938	INDUCTOR-SMD;56nH,5%,1005,1.50hm,200mA,1	1	SA
...4		2703-003713	INDUCTOR-SMD;1.5uH,20%,7366,0.015ohm,700	2	SA
...4		2703-003790	INDUCTOR-SMD;4.7uH,20%,8080,0.025ohm,450	1	SA
...4		2703-003930	INDUCTOR-SMD;4.7uH,20%,5050,0.0720hm,245	4	SA
...4		2703-004562	INDUCTOR-SMD;15uH,20%,10.3x10.2 mm,4.5T,	1	SNA
...4		2801-000102	CRYSTAL-SMD;12MHz,30ppm,12pF,100ohm,TP	1	SA
...4		2801-003326	CRYSTAL-SMD;24MHz,30ppm,28-ABX,20pF,50oh	1	SA
...4		2801-003856	CRYSTAL-SMD;0.032768MHz,20ppm,28-ACP,7pF	1	SNA
...4		2801-004775	CRYSTAL-SMD;12MHz,30ppm,16pF,30ohm,TP	1	SNA
...4		3301-000314	BEAD-SMD;120ohm,1608,TP,120ohm/100MHz	8	SNA
...4		3301-002039	BEAD-SMD;26ohm,1608,TP	30	SA
...4		3601-001374	FUSE-SURFACE MOUNT;32V,5A,FAST-ACTING,PL	1	SA
...4		3701-001856	CONNECTOR-HDMI;19P,2ROW,FEMALE,SMD-S,AU	1	SA
...4		3701-001861	CONNECTOR-HDMI;19P,2ROW,FEMALE,SMD-A,AU	3	SA
...4		3707-001106	CONNECTOR-OPTICAL;STRAIGHT W/L,SPDIF	1	SA
...4		3708-003073	CONNECTOR-FPC/FFC/PIC;51P,0.5mm,SMD,AU,N	1	SNA
...4		3710-003374	CONNECTOR-SOCKET;64P,2R,0.5mm,ANGLE,NI+S	1	SA
...4	EH01	3711-007742	HEADER-BOARD TO CABLE;BOX,20P,2R,2mm,ANG	1	SA
...4	EH01	3711-008131	HEADER-BOARD TO CABLE;BOX,4P,1R,2.5mm,AN	1	SA
...4	EH01	3711-008558	HEADER-BOARD TO CABLE;BOX,26P,2R,1.25mm,	1	SA
...4		3722-003229	JACK-MODULAR;8P/8C W/L,Y,STRAIGHT,N,Au,1	1	SA
...4		3722-003457	JACK-USB;4P/1C,NI,BLK,A	3	SA
...4		3722-003546	JACK-PIN;5P+Screw hole,NI+SN,G,Y/BLU/RED	1	SA
...4		3722-003617	JACK-PHONE;14P/2C,SN,BLK,STRAIGHT,3.6PI,	1	SA
...4		3722-003655	JACK-SCART;21P,SN,BLK	1	SA

Exploded Views and Parts List

Level	Loc.	Part Code	Description & Specification	Qty.	SA/SNA
...4	ET01	BN40-00264A	TUNER;DNSS243IH105A,DNSS243IH105A,DVB-TC	1	SA
...4		BN41-01958A	PCB MAIN;X12, LED 6 Series,FR-4,4,A,1.2T	1	SNA
...4		BN97-07121A	ASSY MICOM;X12-PM51-0008-121223,2013.02.	1	SNA
....5		1107-002226	IC-NOR FLASH;W25Q40CLSSIP,4Mbit,SOIC,8P,	1	SNA
...4		BN97-07122A	ASSY MICOM;T-MST12DEUC-XXXX,U85A,2012.11	1	SNA
....5		1107-002077	IC-NAND FLASH;KLM4G1FE3B-B001,4Gbyte,32G	1	SNA
...4		BN97-07123A	ASSY MICOM;T-MST12DEUS-1009,2013.06.19	1	SNA
....5		0903-001863	IC-MICROCONTROLLER;WT61P807-RG48,LQFP,48	1	SNA
...4		BN97-07278A	ASSY MICOM-BLASTER;Blaster-Version:3.03,	1	SNA
....5		BN13-00063A	PLD;MAXQ610J,QFN,44	1	SNA
...3		BN97-07143A	ASSY DRM-KEY;CI(BN46-00115J),HDCP(BN46-0	1	SNA
...4		BN46-00109H	KEY CODE-CERTIFI;MAC,TV/AV,General	1	SNA
...4		BN46-00110N	KEY CODE-CERTIFI;MIRACAST,TV,X12 /X13	1	SNA
...4		BN46-00115J	KEY CODE-CERTIFI;CI+,TV,2013X,Euro	1	SNA
1	ACCE1	BN92-11925X	ASSY ACCESSORY;UF6S	1	SNA
.2		BN68-04776U	LABEL-01,STICKER;UF6S,EDC,PET,T0.1,60,12	1	SNA
.2	3DGLA	BN96-25614A	ASSY ACCESSORY 3D GLASSES;SSG-5100GB,In	1	SC
.2		BN96-26746T	ASSY ACCESSORY MANUAL/CABLE;UE**F6500SSX	1	SNA
...3		3709-001791	CONNECTOR-CARD SLOT;64P,0.5mm,SMD-A,AU,P	1	SA
...3	T0268	3903-000849	CBF-POWER CORD;DT,CEE,LP-21L,250V,2.5A,B	1	SA
...3		4301-000103	BATTERY-ALKALINE;1.5V,750mAh,LR03,10.2x4	4	SNA
...3	REMO3	AA59-00773A	REMOCON-SMART TOUCH CONTROL;TM1360,14,80	1	SA
...3	REMO2	AA59-00786A	REMOCON;TM1240,45,3.0V,F6800, F6700, EU	1	SA
...3		BN61-08370A	HOLDER-WIRE STAND;26UE4000 GIUDE STAND,N	1	SNA
...3	M9889	BN63-01798B	CLOTH-CLEAN;CLOTH,sea blue,ToC	1	SNA
...3		BN68-00514K	MANUAL FLYER-03,WARRANTY CARD;comm,Samsu	1	SNA
...3		BN68-04735A	LABEL-E,PASS;ALL MODEL,ART PAPER 90G,50,	1	SNA
...3		BN68-04779B	MANUAL USERS-04;UF6470,SAMSUNG,ENG/DEU/F	1	SNA
...3		BN68-04972A	MANUAL FLYER-02,REGULATORY GUI;ALL,SAMSU	1	SNA
...3		BN68-05115G	LEAFLET-05,FICHE;UF6500,EUROPE,W/P 80G,I	1	SNA
...3		BN68-05118C	LEAFLET-03,QSG;UF6200 ~ UF6700,EU N.AFRI	1	SNA
...3		BN69-08226B	BOX-01,ACCESSORY;Y13 TV,PAPER,CCP 400g,N	1	SNA
...3		BN69-08472A	PAD-02,TYPE;ACCESSORY,CB,Black Paper 400	1	SNA
...3		BN69-08751D	WRAP VINYL-SHRINK;ACCESSORY BOX,PLASTIC	0	SNA
...3	EH03A	BN96-18153A	ASSY HOLDER P-RING;11 LED-TV	1	SNA
...4		6902-001404	BAG ZIPPER;LDPE,T0.05,W80,L100,TRP	1	SNA
...4	AH365	BN61-07295A	HOLDER-RING;40UD5500,ABS,BK0007,HB	4	SNA
...3	FLIB	BN96-26652A	ASSY CABLE P;IR BLASTER,IR BLASTER CABL,	1	SA
1		BN92-12193A	ASSY P/MATERIAL;UF6K	1	SNA
.2		6902-000379	BAG AIR;LDPE,T0.2,W1000,L1800,TRP,1260.0	1	SNA

Level	Loc.	Part Code	Description & Specification	Qty.	SA/SNA
.2		6922-000003	BAND PP;PP,T0.8,W18,L1650M,TRP,DA69-9014	0	SNA
.2		BN68-02422B	LABEL-WARNING SHIPPING;ALL MODEL,A/P 100	1	SNA
.2		BN69-00257X	PACKING-SHEET PALLET;PACKING SHEET PALLE	1	SNA
.2		BN69-03982M	PAD PACKING-EDGE;EDGE,PAPER,-,T5,W120,L2	1	SNA
.2		BN69-05418A	PACKING-BAG WRAPPING;-LDPE,-,0,019,500,	2	SNA
.2		BN69-06641A	PACKING-PAD;PAD,PAPER,-,-,CB-SW4,1130,10	1	SNA
.2		BN69-06680A	PACKING-BAG SHEET ROLL;-CB,-,FOAM 0,5mm	2	SNA
.2		BN69-08095F	PALLET;F61-65 40",WOOD,20mm,1160,1190,14	1	SNA
.2		BN69-08358A	CUSHION-SET;UF6500 40",EPS,g/l	1	SNA
.2		BN69-08430A	CUSHION-FRONT;UF7000 40,EPS,EXPORT	1	SNA
.3		0103-005099	RESIN-EPS;BASF303,Natural,Natural	47	SNA
.2		BN74-00008D	TAPE-OPP MASKING;OPP,T0.05,W75,L800M,CLR	3	SNA
1		BN92-12389E	ASSY BOX;UF6500, 40	1	SNA
.2		BH68-00662A	LABEL BOX-01;ALL MODEL,ART PAPER,60,110,	1	SNA
.2		BN69-09079C	BOX-01,SET;40UF6640-QS,CB,A-01,SW3,YEL,W	1	SNA
1		BN92-13312E	ASSY LABEL;F6***	1	SNA
.2		BN68-04913E	LABEL-LED HIGHLIGHT STICKER;F8500,8000,7	1	SNA
.2	T0527	BP68-00052B	LABEL-00,RATING;FPTV,PET,T0.02,93,73	1	SNA