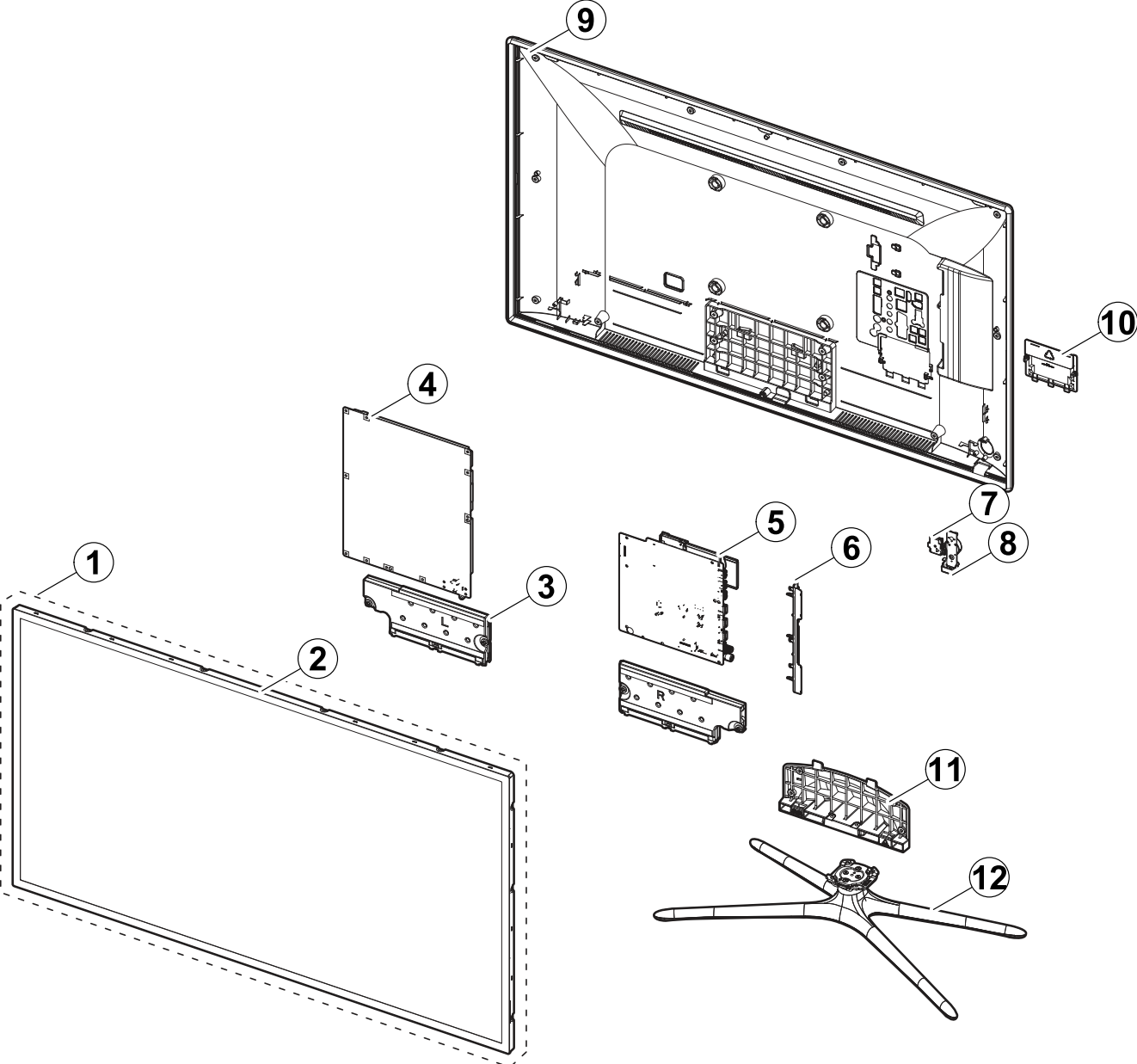


1. Exploded View & Part List

Exploded View



Parts List

No.	Lvl.	Loc.	Material Code	Description & Specification	SNA	Qty.
1	2	PANEL	BN95-01203A	PRODUCT LCD-AMLCD; LSF400HJ01,CY-HF400CSL	SA	1
2	3	TC01A	BN96-28376A	ASSY CHASSIS TOP P; Y13 SF-LED 40(6	SA	1
3	2	SP01A	BN96-25565A	ASSY SPEAKER P; 6ohm,10W,Enclosure_F6k	SA	1
4	2	P001A	BN44-00622B	DC VSS-LED TV PD BD; L42X1Q_DHS,L42X1Q_DH	SA	1
5	2	M0014	BN94-07077E	ASSY PCB MAIN; UE40F6100AWXXH	SA	1
6	2		BN61-09059G	HOLDER-SIDE AV; F6100/6300,ABS+PC,WINERED	SNA	1
7	2	BT	BN96-25376A	ASSY BOARD P-RF-MODULE; Bluetooth Module,	SA	1
8	3	FB01A	BN96-26401N	ASSY BOARD P-JOG SWITCH & IR; UE40F6100,F	SA	1
9	2	MR01A	BN96-25525D	ASSY COVER P-MIDDLE,REAR; UF6100 40,EUROP	SA	1
10	2	FC05	BN63-10178F	COVER-JACK; UF6100/6300 40"-50" EO,ABS+PC	SNA	1
11	2	SG03	BN61-08823A	GUIDE-STAND; UF6100 55",PC+GF,G/F 20%	SA	1
12	2	SB04A	BN96-25364F	ASSY STAND P-BASE; F6300(QUAD),40,EO,BLAC	SA	1

2. Electrical Parts List

Level	Loc.	Part Code	Description & Specification	Qty.	SA/SNA
			UE40F6100AWXXH (WH07)		
1	S001A	BN90-04144W	ASSY STAND;UF6400 40	1	SNA
.2	SG03	BN61-08823A	GUIDE-STAND;UF6100 55",PC+GF,G/F 20%	1	SA
..3		0103-007285	RESIN-PC;MW32020GFU,K032202GFV,BK0007,V2	460	SNA
.2	SB04A	BN96-25364F	ASSY STAND P-BASE;F6300(QUAD),40,EO,BLAC	1	SA
..3		6002-001294	SCREW-TAPPING;BH,+,M4,L16,ZPC(BLK)	4	SA
..3	SCREW	6003-001315	SCREW-TAPTYPE;BH,+,B,M4,L20,ZPC(WHT),SWR	4	SNA
..3	SCREW	6003-001425	SCREW-TAPTYPE;BH,+,B,M4,L25,ZPC(BLK),SWR	1	SNA
..3	SCREW	6003-001785	SCREW-TAPTYPE;FH,+,B,M4,L8,ZPC(BLK),SWRC	4	SA
..3		BN61-07171C	HOLDER-SWIVEL, TOP;40 QUAD STAND,ACETAL,D	1	SNA
...4		0103-009825	RESIN-POM;TS-25A,Dark Gray,GY0199,HB	4	SNA
..3		BN61-07175A	BRACKET-SWIVEL, TOP;UD8000 32/3740 QUAD,S	1	SNA
..3		BN61-07738A	BRACKET-SWIVEL,BOTTOM;UD8000 37/40 QUAD,	1	SNA
..3		BN61-08733A	HOLDER-SWIVEL,BOTTOM;32-40 SLIM QUAD STA	1	SNA
..3		BN61-08734A	HOLDER-STAND,NECK;32-40 SLIM QUAD STAND,	1	SNA
...4		0103-007285	RESIN-PC;MW32020GFU,K032202GFV,BK0007,V2	95	SNA
..3		BN61-08735A	BRACKET-STAND, TOP;32-40 SLIM QUAD STAND,	1	SNA
..3		BN61-08736A	BRACKET-STAND,BOTTOM;32-40 SLIM QUAD STA	1	SNA
..3		BN63-05135E	COVER-SHEET;4-LEG,Rhcm PE Vinyl,T0.05,W6	2	SNA
..3		BN63-10157A	COVER-STAND,BASE;32-40 SLIM QUAD STAND,A	1	SNA
..3		BN63-10201F	COVER-STAND TOP;UF6400,32,ABS+PC,V0,BLK	1	SNA
...4		0103-005041	RESIN-PC;FR3200TV,901408,BK0008,1.2mm V-	155	SNA
..3		BN67-00385D	RUBBER-FOOT;RUBBER-FOOT,SILICONE,ROUND,1	4	SNA
1		BN90-04367K	ASSY COVER MIDDLE;UF6K	1	SNA
.2		6001-002755	SCREW-MACHINE;BH,+,M3,L6,ZPC(BLK),SWRCH1	14	SA
.2	SCREW	6003-001782	SCREW-TAPTYPE;BH,+,B,M4,L12,ZPC(BLK),SWR	2	SA
.2	MR01A	BN96-25525D	ASSY COVER P-MIDDLE,REAR;UF6100 40,EUROP	1	SA
..3		0203-001598	TAPE-FILAMENT;#8915,0.15,12,55000,CLR	0	SNA
..3	SCREW	6003-000117	SCREW-TAPTYPE;BH,+,B,M3,L6,ZPC(WHT),SWRC	2	SNA
..3	CCM1	BN63-02183D	COVER-SHEET;Rhcm,PE Vinyl,T0.05,680mm,20	1	SNA
..3		BN63-10188K	COVER-MIDDLE REAR;UF6100 40",PC/PC+ABS,E	1	SNA
...4		0103-007268	RESIN-PC;TN-1045M,70784,TP0010,0.8, 3.0	410	SNA
...4		0103-009587	RESIN-PC ABS;NE-1010,431322,RD0071,1.5 V	1900	SNA
..3		BN68-05188G	LABEL-TERMINAL SIDE;UF6100,EU/CIS,PET,T0	1	SNA
..3	FB01A	BN96-26401N	ASSY BOARD P-JOG SWITCH & IR;UE40F6100,F	1	SA
...4	EC13	BN39-01771B	LEAD CONNECTOR;UE40F6100,Cable Connector	1	SNA
...4	5WAY	BN96-26401A	ASSY BOARD P-JOG SWITCH & IR;UE32F5000,F	1	SNA
1		BN90-04578E	ASSY W/I;UF6K	1	SNA

Exploded Views and Parts List

Level	Loc.	Part Code	Description & Specification	Qty.	SA/SNA
.2		BN81-08159S	PART SET-MECH W/I;UF6M,U40FP*	1	SNA
.2		BN81-08159Z	PART SET-ELEC W/I;UF4* ~ UF8* ELEC	1	SNA
1		BN91-06969W	ASSY SHIELD;F6100 40	1	SNA
.2		6001-003016	SCREW-MACHINE;PWH,+ ,M3.0,L5.0,ZPC(WHT),S	9	SA
.2	SCREW	6003-000117	SCREW-TAPTYPE;BH,+ ,B,M3,L6,ZPC(WHT),SWRC	1	SNA
.2		BN02-00102B	TAPE FILAMENT;UE7000,#893,0.15,25,50,WHI	0	SNA
.2	EC13	BN39-01475D	LEAD CONNECTOR;UE37C6400,Falt Connector,	1	SA
.2	EC13	BN39-01744G	LEAD CONNECTOR;2D NNB,Lead Connector,UL1	1	SA
.2	P001A	BN44-00622B	DC VSS-LED TV PD BD;L42X1Q_DHS,L42X1Q_DH	1	SA
.2		BN61-09059G	HOLDER-SIDE AV;F6100/6300,ABS+PC,WINERED	1	SNA
.2		BN62-00368A	PAD GAP;F5000,SILICON,40*40 mm,6.5,Light	1	SNA
.2	FC05	BN63-10178F	COVER-JACK;UF6100/6300 40"-50" EO,ABS+PC	1	SNA
...3		0103-009587	RESIN-PC ABS;NE-1010,431322,RD0071,1.5 V	20	SNA
.2	BT	BN96-25376A	ASSY BOARD P-RF-MODULE;Bluetooth Module,	1	SA
...3	AS BT	BN81-08545A	A/S-BT;Bluetooth Module SCREW	1	SNA
...3		BN97-07275A	ASSY MICOM-BLUETOOTH F/W;2.1.14.252,2013	1	SNA
...4		BN81-08385A	AS-BLUETOOTH F/W;BLUETOOTH F/W	1	SNA
.2	SP01A	BN96-25565A	ASSY SPEAKER P;6ohm,10W,Enclosure_F6k	1	SA
.2	FL06	BN96-27044D	ASSY CABLE P-FFC;UE40F6170,FFC,N H,288mm	1	SA
1		BN91-11572G	ASSY LCM-AMLCD;BN95-01203A,CY-HF400CSLV5	1	SNA
.2	PANEL	BN95-01203A	PRODUCT LCD-AMLCD;LSF400HJ01,CY-HF400CSL	1	SA
...3		6001-002757	SCREW-MACHINE;BH,+ ,M3,L4,ZPC(WHT),SWRCH1	2	SA
...3		AK68-02233C	LABEL RATING;AV ALL,WW,ART PAPER,80,23,L	1	SNA
...3		BN02-00102B	TAPE FILAMENT;UE7000,#893,0.15,25,50,WHI	1	SNA
...3		BN63-10731A	COVER-SOURCE,PCB(L);Y13 SF-LED 40,ABS,HB	2	SNA
...4		0103-007797	RESIN-ABS;EA-0640,K2007,HB	48	SNA
...3	AS109	BN63-11189B	SHEET-SIDE;F6100,FELT*,0.125,25mm,110m,G	3	SNA
...3		BN90-04952A	ASSY MISC-BLU;VNB 40	1	SNA
...4		BN02-00152H	TAPE ETC-SHEET FIXING;Y13 Slim F-LED,PET	3	SNA
...4		BN61-08638A	LGP-DIFFUSER PLATE;40" Slim FLED_Diffus	1	SNA
...4		BN61-09304A	SUPPORT-PLATE;Y13 SLIM / VNB,PC,WHT + CL	8	SNA
...5		0103-005036	RESIN-PC;M2407,550115,TP0003	12	SNA
...5		0103-009493	RESIN-PC;LH-1070W,W92853,WT0107,V-2	20	SNA
...4		BN63-10447A	SHEET-REFLECTOR;SY95,SHEET*,0.188,886.6,	1	SNA
...4		BN63-10453A	SHEET-DIFFUSER;40inch, SFLED, UTA10 / DM	1	SNA
...4		BN96-25294F	ASSY CHASSIS BOTTOM P;Y13 SF-LED 40"	1	SNA
...5		6001-002759	SCREW-MACHINE;CH,+ ,M3,L4,ZPC(BLK),SWRCH1	1	SA
...5		6001-003005	SCREW-MACHINE;BH,+ ,M3,L6,ZPC(WHT),SWRCH1	4	SNA
...5		BN02-00040C	TAPE DOUBLE FACE-D-PLATE;F-LED ALL,MKT50	2	SNA
...5		BN02-00043D	TAPE ETC-SHEET FIXING;Y13 slim F-LED,PET	2	SNA

Level	Loc.	Part Code	Description & Specification	Qty.	SA/SNA
....5		BN02-00134E	TAPE ETC-SHEET FIXING;SFLED 32/40/46/55/	6	SNA
....5		BN60-00792A	SPACER-SOURCE PCB GASKET;Y13 Slim F-LED,	4	SNA
....5		BN61-08161A	HOLDER-LED-PCB;Direct-LED,PC,white	2	SNA
....6		0103-009493	RESIN-PC;LH-1070W,W92853,WT0107,V-2	2	SNA
....5		BN61-09049A	BRACKET-WALL MOUNT;Y13 ALL Model,SPCC,T1	4	SNA
....5		BN61-09101A	SUPPORT-SOURCE PCB;SF-LED,ABS+PC,V0,GRAY	4	SNA
....6		0103-009930	RESIN-PC ABS;NH-1017SG,GRAY,GY0275,V0	8	SNA
....5		BN61-09555A	HOLDER-SOURCE PCB;Y13 SF-LED 40 (VNB CEL	4	SNA
....6		0103-007442	RESIN-PC ABS;NH-1017SG,W91902,WT0034,2.0	8	SNA
....5		BN62-00338M	INSULATION-PD BOARD;Y13 SF-LED 39"~55",P	1	SNA
....5	CC02	BN64-02199E	CHASSIS-BOTTOM;Y13 F-LED Slim 40" VNB CE	1	SNA
....5		BN96-25336A	ASSY BOARD P-D-LED INTERFACE;40inch Slim	1	SNA
...4		BN96-25304A	ASSY LED BAR P;40inch Slim Dir,PKG5ea,35	7	SA
...4		BN96-25305A	ASSY LED BAR P;40inch Slim Dir,PKG6ea,35	7	SA
...4		BN96-28375A	ASSY FRAME P-MOLD MIDDLE;Y13 6K SF-LED 4	1	SNA
....5		BN60-00700E	SPACER-PANEL (UD);13 SF-LED 40,SILICON+T	1	SNA
....5		BN60-00700W	SPACER-PANEL (LR);13 SF-LED 40" VNB,SILI	2	SNA
....5		BN60-00700X	SPACER-PANEL (U);13 SF-LED 40" VNB,SILIC	1	SNA
....5		BN60-00744B	SPACER-RUBBER;Y13 F-LED SLIM(VNB CELL),S	2	SNA
....5		BN61-09554A	FRAME-MOLD MIDDLE;Y13 SF-LED 40 (VNB CEL	1	SNA
....6		0103-009559	RESIN-PC;210GNH15,6919A,BK0007,PC ABS GF	150	SNA
...3	TCON	BN95-01132A	ASSY T CON;LSF400HF02,40 120 VNB FT3	1	SA
...4		BN62-00371C	HEAT SINK-PS;F6000,A1050,BLACK,110*61.1*	1	SNA
...4		BN62-00487A	HEAT SINK-ES;F6K,A6063,BLACK,18*14*4.4,t	1	SNA
...4		BN67-00474A	RUBBER-FOOT;RUBBER-FOOT,SILICONE,SQUARE,	1	SNA
...4		BN97-07506A	ASSY SMD;BN95-01132A	1	SNA
....5		0202-001830	SOLDER-CREAM;LFM-48W TM-HP,D20~38um,96.5	2	SNA
....5		0404-001640	DIODE-SCHOTTKY;SS1060HEWS,60V,1000mA,SOD	2	SA
....5		0404-001643	DIODE-SCHOTTKY;B360A,60V,3000mA,SMA,TP	1	SA
....5		0406-001317	DIODE-TVS;SMAJ14A,15.6/-/17.2V,400W,SMA	1	SNA
....5		0406-001324	DIODE-TVS;RClamp1502B,16.7/-/V,200W,SOT	2	SNA
....5		0406-001438	DIODE-TVS;SMCJ14A,15.6/-/17.2V,1500W,DO-	1	SA
....5		0406-001445	DIODE-TVS;RClamp7512N,2.7/2.8/2.9,300W,S	2	SA
....5		0406-001483	DIODE-TVS;ESD5B5.0ST1G,5,8V/- /7.8V,50W,	2	SA
....5		0406-001556	DIODE-TVS;NUP4114UCW1,6/-/V,180W,SC-88	3	SA
....5		0406-001578	DIODE-TVS;P4SMAJ40A,44.4,51.1,400W,SMA	1	SA
....5		0502-001331	TR-POWER;NSS30100LT1G,PNP,310mW,SOT-23,T	2	SA
....5		0502-001345	TR-POWER;FCX491A,NPN,1000mW,SOT89,TR,900	3	SA
....5		0502-001346	TR-POWER;FCX591A,PNP,1000mW,SOT89,TR,30/	2	SA
....5		0505-002826	FET-SILICON;ZXMN6A07F,N,60V,1A,0.4ohm,0.	1	SNA

Exploded Views and Parts List

Level	Loc.	Part Code	Description & Specification	Qty.	SA/SNA
....5		0505-003224	FET-SILICON;AO6405,P,-30V,-5A,0.052ohm,2	1	SA
....5	EL02	0601-002037	LED;SMD(TOP VIEW),BLUE,1.6x0.8mm,465/470	3	SNA
....5		1105-002227	IC-DDR3 SDRAM;K4B1G1646G-BCK0,DDR3 SDRAM	1	SA
....5		1201-003130	IC-OP AMP;iML2811SEC,TDFN-EP,TP,8P,3x3mm	1	SA
....5		1203-006130	IC-POSI.FIXED REG.;S-1172B25-U5T1G,SOT-8	1	SA
....5		1203-006138	IC-POSI.ADJUST REG.;AP1117DGZ-13-89,TO-2	1	SA
....5		1203-006999	IC-DC/DC CONVERTER;SM4152,QFN,48P,7x7mm,	1	SNA
....5		1203-007215	IC-DC/DC CONVERTER;SN1109048RHL,QFN,14P,	1	SA
....5		1203-007447	IC-VOL. GENERATOR;RT6503GQW,QFN,48Z30,7x	1	SNA
....5		1204-003472	IC-VIDEO PROCESS;SDP1209,PBGA-H,585P,23x	1	SA
....5	IS01	1209-002183	IC-SENSOR;S-5851AAA-M6T1U,SOT,6Z30,2.9x1	1	SA
....5		1404-001731	THERMISTOR-NTC;33Kohm,4050K,1mW/C,TP,1.6	1	SNA
....5		2007-000034	R-CHIP;1ohm,5%,1/4W,TP,3216	1	SNA
....5		2007-000040	R-CHIP;150ohm,1%,1/10W,TP,1608	2	SNA
....5		2007-000043	R-CHIP;1Kohm,1%,1/10W,TP,1608	4	SA
....5		2007-000052	R-CHIP;10Kohm,1%,1/10W,TP,1608	3	SA
....5		2007-000060	R-CHIP;100Kohm,1%,1/10W,TP,1608	1	SNA
....5		2007-000063	R-CHIP;150Kohm,1%,1/10W,TP,1608	1	SNA
....5		2007-000066	R-CHIP;20Kohm,1%,1/10W,TP,1608	1	SNA
....5		2007-000067	R-CHIP;15Kohm,1%,1/10W,TP,1608	1	SNA
....5		2007-000070	R-CHIP;0ohm,5%,1/10W,TP,1608	10	SA
....5		2007-000109	R-CHIP;1Mohm,5%,1/10W,TP,1608	1	SA
....5		2007-000138	R-CHIP;100ohm,5%,1/16W,TP,1005	14	SA
....5		2007-000140	R-CHIP;1Kohm,5%,1/16W,TP,1005	2	SNA
....5		2007-000143	R-CHIP;4.7Kohm,5%,1/16W,TP,1005	11	SNA
....5		2007-000148	R-CHIP;10Kohm,5%,1/16W,TP,1005	6	SA
....5		2007-000171	R-CHIP;0ohm,5%,1/16W,TP,1005	13	SNA
....5		2007-000256	R-CHIP;1.6Kohm,1%,1/10W,TP,1608	1	SA
....5		2007-000336	R-CHIP;120Kohm,1%,1/10W,TP,1608	4	SA
....5		2007-000455	R-CHIP;18Kohm,1%,1/10W,TP,1608	2	SA
....5		2007-000516	R-CHIP;2.7Kohm,1%,1/10W,TP,1608	3	SA
....5		2007-000726	R-CHIP;300ohm,1%,1/10W,TP,1608	1	SA
....5		2007-000736	R-CHIP;30Kohm,1%,1/10W,TP,1608	2	SA
....5		2007-000772	R-CHIP;33Kohm,1%,1/10W,TP,1608	1	SA
....5		2007-000779	R-CHIP;33ohm,1%,1/10W,TP,1608	1	SA
....5		2007-000842	R-CHIP;3Kohm,1%,1/10W,TP,1608	1	SA
....5		2007-000869	R-CHIP;4.7Kohm,1%,1/10W,TP,1608	1	SA
....5		2007-000962	R-CHIP;5.1Kohm,1%,1/10W,TP,1608	4	SA
....5		2007-001038	R-CHIP;56Kohm,1%,1/10W,TP,1608	1	SA
....5		2007-001125	R-CHIP;68Kohm,1%,1/10W,TP,1608	1	SA

Level	Loc.	Part Code	Description & Specification	Qty.	SA/SNA
....5		2007-001139	R-CHIP;7.5Kohm,1%,1/10W,TP,1608	1	SA
....5		2007-001153	R-CHIP;750ohm,1%,1/10W,TP,1608	1	SA
....5		2007-001175	R-CHIP;8.2Kohm,1%,1/10W,TP,1608	1	SA
....5		2007-001199	R-CHIP;820ohm,1%,1/10W,TP,1608	1	SA
....5		2007-001206	R-CHIP;82Kohm,1%,1/10W,TP,1608	1	SNA
....5		2007-002437	R-CHIP;2ohm,5%,1/10W,TP,1608	3	SNA
....5		2007-002899	R-CHIP;10ohm,1%,1/10W,TP,1608	18	SA
....5		2007-002900	R-CHIP;11Kohm,1%,1/10W,TP,1608	1	SNA
....5		2007-007107	R-CHIP;100Kohm,1%,1/16W,TP,1005	1	SNA
....5		2007-007136	R-CHIP;4.7Kohm,1%,1/16W,TP,1005	8	SNA
....5		2007-007142	R-CHIP;10Kohm,1%,1/16W,TP,1005	1	SNA
....5		2007-007156	R-CHIP;1ohm,5%,1/16W,TP,1005	2	SNA
....5		2007-007306	R-CHIP;100ohm,1%,1/16W,TP,1005	17	SNA
....5		2007-007309	R-CHIP;12Kohm,1%,1/16W,TP,1005,0.35	2	SA
....5		2007-007315	R-CHIP;3.9Kohm,1%,1/16W,TP,1005	1	SNA
....5		2007-007316	R-CHIP;3.3Kohm,1%,1/16W,TP,1005	2	SA
....5		2007-007318	R-CHIP;1Kohm,1%,1/16W,TP,1005	9	SNA
....5		2007-007517	R-CHIP;240ohm,1%,1/16W,TP,1005	3	SNA
....5		2007-007651	R-CHIP;9.1Kohm,1%,1/10W,TP,1608	1	SA
....5		2007-007698	R-CHIP;5.1Kohm,1%,1/16W,TP,1005	1	SNA
....5		2007-007766	R-CHIP;2Kohm,1%,1/16W,TP,1005	2	SNA
....5		2007-007798	R-CHIP;10ohm,1%,1/16W,TP,1005	32	SA
....5		2007-008015	R-CHIP;75ohm,1%,1/16W,TP,1005	18	SA
....5		2007-008117	R-CHIP;2.7Kohm,1%,1/16W,TP,1005	1	SA
....5	AD480	2203-000257	C-CER,CHIP;10nF,10%,50V,X7R,TP,1608	3	SA
....5	AD480	2203-000332	C-CER,CHIP;0.012nF,5%,50V,C0G,TP,1608	2	SA
....5	AD480	2203-000359	C-CER,CHIP;0.15nF,5%,50V,C0G,TP,1005,0.5	1	SA
....5	AD480	2203-000489	C-CER,CHIP;2.2nF,10%,50V,X7R,TP,1005	2	SA
....5	AD480	2203-000714	C-CER,CHIP;3.3nF,10%,50V,X7R,TP,1005	1	SA
....5	AD480	2203-001126	C-CER,CHIP;0.68nF,10%,50V,X7R,TP,1608	1	SNA
....5	AD480	2203-001697	C-CER,CHIP;0.082nF,5%,50V,NP0,TP,1608	2	SNA
....5	AD480	2203-002519	C-CER,CHIP;5.6nF,10%,50V,X7R,TP,1005	1	SNA
....5	AD480	2203-002711	C-CER,CHIP;100nF,10%,25V,X7R,TP,1608	3	SA
....5	AD480	2203-005138	C-CER,CHIP;1.8nF,10%,50V,X7R,TP,1005	3	SA
....5	AD480	2203-005249	C-CER,CHIP;100nF,10%,50V,X7R,TP,1608	8	SNA
....5	AD480	2203-005344	C-CER,CHIP;22nF,10%,25V,X7R,TP,1005,0.5T	3	SNA
....5	AD480	2203-005918	C-CER,CHIP;1000nF,10%,6.3V,X7R,TP,1608	2	SNA
....5	AD480	2203-006048	C-CER,CHIP;100nF,10%,10V,X7R,TP,1005	9	SA
....5	AD480	2203-006158	C-CER,CHIP;100nF,10%,16V,X7R,TP,1005,0.5	59	SNA
....5	AD480	2203-006320	C-CER,CHIP;2200nF,10%,16V,X7R,TP,2012	1	SNA

Exploded Views and Parts List

Level	Loc.	Part Code	Description & Specification	Qty.	SA/SNA
....5	AD480	2203-006348	C-CER,CHIP;1000nF,10%,25V,X5R,TP,1608,0.	2	SA
....5	AD480	2203-006427	C-CER,CHIP;4700nF,10%,16V,X5R,TP,2012	1	SA
....5	AD480	2203-006474	C-CER,CHIP;22000nF,20%,6.3V,X5R,TP,2012	10	SA
....5	AD480	2203-006562	C-CER,CHIP;1000nF,10%,10V,X5R,TP,1005	2	SNA
....5	AD480	2203-006698	C-CER,CHIP;1000nF,10%,25V,X7R,TP,1608,0.	9	SA
....5	AD480	2203-006890	C-CER,CHIP;10000nF,20%,6.3V,X5R,TP,1608	8	SA
....5	AD480	2203-006960	C-CER,CHIP;1000nF,10%,50V,X7R,TP,2012	2	SNA
....5	AD480	2203-007240	C-CER,CHIP;22000nF,20%,6.3V,X5R,TP,1608,	3	SA
....5	AD480	2203-007270	C-CER,CHIP;10000nF,10%,10V,X5R,TP,1608,0	13	SNA
....5	AD480	2203-007306	C-CER,CHIP;10000nF,10%,25V,X5R,TP,2012,1	31	SNA
....5		2409-001240	C-ORGANIC,SMD;33uF,20%,25V,LR,TP,7343(1.	1	SA
....5		2703-003747	INDUCTOR-SMD;22uH,20%,6060,0.135ohm,1300	2	SA
....5		2703-003803	INDUCTOR-SMD;4.7uH,20%,6060,0.031ohm,270	1	SA
....5		2703-003862	INDUCTOR-SMD;10uH,20%,6060,0.065ohm,1900	1	SA
....5		2703-003867	INDUCTOR-SMD;22uH,20%,4040,1.8T,0.29Ohm,	1	SA
....5		2703-003937	INDUCTOR-SMD;1uH,20%,7.0x6.47x3.0mm,0.00	1	SA
....5		2703-004199	INDUCTOR-SMD;10uH,20%,7066,2.2mm,0.101Oh	1	SNA
....5		2801-004629	CRYSTAL-SMD;27MHz,20ppm,12pF,50ohm,TP	1	SNA
....5		3301-002039	BEAD-SMD;26ohm,1608,TP	24	SA
....5		3601-001386	FUSE-SURFACE MOUNT;125V,5A,FAST-ACTING,C	1	SA
....5		3708-002651	CONNECTOR-FPC/FFC/PIC;80P,0.5mm,SMD-A,AU	2	SA
....5		3708-003073	CONNECTOR-FPC/FFC/PIC;51P,0.5mm,SMD,AU,N	1	SNA
....5	EH01	3711-005601	HEADER-BOARD TO CABLE;BOX,8P,1R,2mm,SMD-	1	SA
....5		6302-001290	GASKET;SMR-TS-4-4.5-3,4.0mm,Ni+Au+SUS+Mg	4	SNA
....5		BN41-02069A	PCB-T CON;2013 FHD 120Hz,FR-4,4,1.2T,150	1	SNA
....5		BN97-07510A	ASSY MICOM;F40A1F60A,400HF02,W25X40CLSSI	1	SNA
....6		1107-002224	IC-FLASH MEMORY;W25X40CLSSIG,4Mbit,SOP,8	1	SNA
...3	OC-TC	BN96-24429D	ASSY CABLE P-FFC;E7000,FFC,60mm 1,80P	2	SNA
...3		BN96-24842A	ASSY OPEN CELL;LSF400HF02-A,8bit,40 INCH	1	SNA
...4		BN81-07435A	A/S-ADHESIVE-A.C.F;ADHESIVE-A.C.F,2-ADHE	1	SNA
...4		BN81-07880B	A/S-IC DRIVER SOURCE;IC DRIVER SOURCE,13	1	SNA
...4		BN81-07891A	A/S-POLARIZER-C/F;8-POLARIZER-C/F	1	SNA
...4		BN81-07903A	A/S-POLARIZER-TFT;POLARIZER-TFT	1	SNA
...4		BN81-07921B	A/S-ASSY PCB-SOURCE LEFT;ASSY PCB-SOURCE	1	SNA
...4		BN81-07922B	A/S-ASSY PCB-SOURCE RIGHT;ASSY PCB-SOURC	1	SNA
...4		BN81-07943A	A/S-ADHESIVE-A.C.F(TP500B);ADHESIVE-A.C.	1	SNA
...3	TC01A	BN96-28376A	ASSY CHASSIS TOP P;Y13 SF-LED 40(6	1	SA
...4		BN60-00667B	SPACER-GASKET;Y13 SF-LED,GASKET(FG200A),	4	SNA
...4		BN60-00701C	SPACER-TOP,UD;Y13 Slim F-LED 40,GASKET,L	2	SNA
...4		BN60-00701D	SPACER-TOP,LR;Y13 Slim F-LED 40,GASKET*,	2	SNA

Level	Loc.	Part Code	Description & Specification	Qty.	SA/SNA
...4		BN60-00715B	SPACER-TOP CORNER;Y13 Slim F-LED,GASKET+	4	SNA
...4		BN60-00743C	SPACER-PET (UD);Slim F-LED 40",SB00 + SK	2	SNA
...4		BN63-07556U	COVER-SHEET;F-LED,urethane,T0.068,W18,10	1	SNA
...4		BN63-10945B	COVER-SHEET;Y13 SF-LED,PO-SHEET,T0.068,W	2	SNA
...4		BN63-11161A	SHEET-THERMAL;GAP PAD,1.5,W 7,L 65,BLACK	8	SNA
...4	AC157	BN64-02405A	CHASSIS-TOP;Y13 SF-LED40 F6K(VNB CELL),P	1	SNA
...5		0103-010111	RESIN-PC ABS;230GNH15,BLACK,BK0007,V1	190	SNA
1	M0017	BN91-11889E	ASSY CHASSIS;UE40F6100AWXXH	1	SNA
.2	M0014	BN94-07077E	ASSY PCB MAIN;UE40F6100AWXXH	1	SA
..3		0202-001608	SOLDER-WIRE FLUX;LFC7-107,D0.8,99.3Sn/0.	0	SNA
..3		BN97-06546N	ASSY SMD;F6100,BN41-01954B	1	SNA
...4		0202-001830	SOLDER-CREAM;LFM-48W TM-HP,D20~38um,96.5	8	SNA
...4	DS01A	0401-001056	DIODE-SWITCHING;MMBD4148SE,100V,200mA,SO	1	SA
...4		0403-001783	DIODE-ZENER;BZB84-C6V2,5.8/6.6V,300mW,SO	4	SNA
...4		0403-001785	DIODE-ZENER;NZH5V1B,4.94/5.2V,500mW,SOD-	1	SA
...4		0403-001797	DIODE-ZENER;NZH3V0B,2.85/3.15V,500mW,SOD	1	SNA
...4		0404-001404	DIODE-SCHOTTKY;BAT721C,40V,200mA,SOT-23,	1	SA
...4		0406-001200	DIODE-TVS;RCLAMP0504F,6/-/V,150W,SC-70	1	SA
...4		0406-001271	DIODE-TVS;RCLAMP0524P,6/-/V,150W,SLP251	4	SNA
...4	DS01A	0407-000114	DIODE-SWITCHING;KDS184,80V,100mA,SOT-23,	1	SNA
...4		0501-000279	TR-SMALL SIGNAL;KSA1182-Y,PNP,150mW,SOT-	1	SA
...4		0501-000445	TR-SMALL SIGNAL;KTC3875S-Y,NPN,150mW,SOT	13	SC
...4		0505-000110	FET-SILICON;2N7002,N,60V,115mA,7.5ohm,0.	6	SA
...4		0505-002560	FET-SILICON;AO6415,P,-20V,-3.3A,0.15ohm,	1	SA
...4		0801-002630	IC-CMOS LOGIC;74AHCT1G08,2-INPUT AND GAT	1	SA
...4		0801-002780	IC-CMOS LOGIC;74LVC1G17,SCHMITT-TRIGGER	2	SA
...4		0801-003330	IC-CMOS LOGIC;Octal buffer,DQFN,20P,4.5x	4	SA
...4		0802-001012	IC-CMOS LOGIC;74LCX245,TRANSCEIVER,DQFN,	1	SNA
...4		1001-001545	IC-ANALOG MULTIPLEX;TS3USB221ERSER,R-PQF	1	SA
...4		1103-001531	IC-EEPROM;S-24C256CI-J8T1U4,256Kbit,32Kx	1	SA
...4		1103-001561	IC-EEPROM;S-24C02DI-J800,2Kbit,256X8bit,	1	SA
...4		1105-002227	IC-DDR3 SDRAM;K4B1G1646G-BCK0,DDR3 SDRAM	2	SA
...4		1201-003183	IC-AUDIO AMP;DRV612,HTSSOP,14P,5x4.4mm,D	1	SA
...4		1201-003333	IC-POWER AMP;NTP-7412S,MLF,48P,7x7mm,DUA	1	SA
...4		1203-004364	IC-VOL. DETECTOR;RT9818C-42PV,SOT-23,3P,	1	SA
...4		1203-006017	IC-VOL. DETECTOR;RT9824GJ8,TSOT23,8P,2.9	1	SA
...4		1203-006109	IC-POSI.FIXED REG.;S-1206B33-M3T1G,SOT-2	1	SA
...4		1203-006130	IC-POSI.FIXED REG.;S-1172B25-U5T1G,SOT-8	1	SA
...4		1203-006135	IC-POSI.FIXED REG.;AP1117D-33-GZ-13-89,T	1	SA
...4		1203-006136	IC-POSI.FIXED REG.;AP1117D-18-GZ-13-89,T	1	SA

Exploded Views and Parts List

Level	Loc.	Part Code	Description & Specification	Qty.	SA/SNA
...4		1203-006138	IC-POS.LADJUST REG.;AP1117DGZ-13-89,TO-2	1	SA
...4		1203-006684	IC-DC/DC CONVERTER;TPS54327DDAR,HSOP8,8P	2	SNA
...4		1203-007249	IC-SWITCH CUR. REG.;TPS62561DDC,DDA,5P,3	1	SA
...4		1203-007680	IC-DC/DC CONVERTER;BD86103AFJ,SOP-J8,8Q,	1	SA
...4		1204-003443	IC-DECODER;NT72569,LFBGA,620Z30,21x21mm,	1	SA
...4		1405-001271	VARISTOR;35V,20Vdc,5A,1.0x0.5x0.6mm,TP,1	23	SA
...4		2007-000137	R-CHIP;2Kohm,5%,1/16W,TP,1005	2	SNA
...4		2007-000138	R-CHIP;100ohm,5%,1/16W,TP,1005	30	SA
...4		2007-000140	R-CHIP;1Kohm,5%,1/16W,TP,1005	1	SNA
...4		2007-000142	R-CHIP;2.7Kohm,5%,1/16W,TP,1005	3	SA
...4		2007-000143	R-CHIP;4.7Kohm,5%,1/16W,TP,1005	68	SNA
...4		2007-000148	R-CHIP;10Kohm,5%,1/16W,TP,1005	47	SA
...4		2007-000149	R-CHIP;12Kohm,5%,1/16W,TP,1005	1	SA
...4		2007-000153	R-CHIP;22Kohm,5%,1/16W,TP,1005	6	SNA
...4		2007-000157	R-CHIP;47Kohm,5%,1/16W,TP,1005	8	SNA
...4		2007-000162	R-CHIP;100Kohm,5%,1/16W,TP,1005	5	SNA
...4		2007-000168	R-CHIP;470Kohm,5%,1/16W,TP,1005	1	SA
...4		2007-000170	R-CHIP;1Mohm,5%,1/16W,TP,1005	1	SNA
...4		2007-000172	R-CHIP;10ohm,5%,1/16W,TP,1005	2	SNA
...4		2007-000173	R-CHIP;22ohm,5%,1/16W,TP,1005	3	SNA
...4		2007-000174	R-CHIP;47ohm,5%,1/16W,TP,1005	2	SNA
...4		2007-000336	R-CHIP;120Kohm,1%,1/10W,TP,1608	1	SA
...4		2007-000691	R-CHIP;3.3Mohm,5%,1/10W,TP,1608	1	SA
...4		2007-000695	R-CHIP;3.3ohm,5%,1/10W,TP,1608	4	SNA
...4		2007-000726	R-CHIP;300ohm,1%,1/10W,TP,1608	2	SA
...4		2007-000775	R-CHIP;33Kohm,5%,1/16W,TP,1005	2	SNA
...4		2007-000816	R-CHIP;390Kohm,1%,1/10W,TP,1608	1	SNA
...4		2007-000932	R-CHIP;470ohm,5%,1/16W,TP,1005	5	SNA
...4		2007-001292	R-CHIP;33ohm,5%,1/16W,TP,1005	14	SNA
...4		2007-001298	R-CHIP;51ohm,5%,1/16W,TP,1005	2	SNA
...4		2007-001313	R-CHIP;330ohm,5%,1/16W,TP,1005	2	SNA
...4		2007-001320	R-CHIP;1.8Kohm,5%,1/16W,TP,1005	2	SA
...4		2007-001325	R-CHIP;3.3Kohm,5%,1/16W,TP,1005	1	SNA
...4		2007-007009	R-CHIP;75ohm,5%,1/16W,TP,1005	2	SNA
...4		2007-007095	R-CHIP;390ohm,5%,1/16W,TP,1005	1	SA
...4		2007-007135	R-CHIP;18Kohm,1%,1/16W,TP,1005	2	SNA
...4		2007-007136	R-CHIP;4.7Kohm,1%,1/16W,TP,1005	3	SNA
...4		2007-007142	R-CHIP;10Kohm,1%,1/16W,TP,1005	4	SNA
...4		2007-007156	R-CHIP;1ohm,5%,1/16W,TP,1005	22	SNA
...4		2007-007306	R-CHIP;100ohm,1%,1/16W,TP,1005	4	SNA

Level	Loc.	Part Code	Description & Specification	Qty.	SA/SNA
...4		2007-007311	R-CHIP;22Kohm,1%,1/16W,TP,1005	2	SA
...4		2007-007317	R-CHIP;2.2Kohm,1%,1/16W,TP,1005	1	SA
...4		2007-007318	R-CHIP;1Kohm,1%,1/16W,TP,1005	26	SNA
...4		2007-007463	R-CHIP;1.1Kohm,1%,1/16W,TP,1005	1	SA
...4		2007-007517	R-CHIP;240ohm,1%,1/16W,TP,1005	2	SNA
...4		2007-007528	R-CHIP;1.5Kohm,1%,1/16W,TP,1005	1	SA
...4		2007-007538	R-CHIP;56Kohm,1%,1/16W,TP,1005	1	SA
...4		2007-008015	R-CHIP;75ohm,1%,1/16W,TP,1005	12	SA
...4		2007-008137	R-CHIP;24Kohm,1%,1/16W,TP,1005	3	SNA
...4		2007-008142	R-CHIP;511Kohm,1%,1/10W,TP,1608	1	SA
...4		2007-008332	R-CHIP;11.5Kohm,1%,1/16W,TP,1005	1	SA
...4		2007-008649	R-CHIP;220ohm,1%,1/16W,TP,1005	1	SNA
...4		2007-008779	R-CHIP;0ohm,1%,1/16W,TP,1005	3	SA
...4		2011-001261	R-NETWORK;33ohm,5%,1/16W,L,CHIP,8P,TP,2.	6	SA
...4		2011-001262	R-NETWORK;22ohm,5%,1/16W,L,CHIP,8P,TP,2.	10	SA
...4		2011-001344	R-NETWORK;100ohm,5%,1/16W,L,CHIP,8P,TP,2	3	SA
...4		2011-001449	R-NETWORK;22ohm,5%,1/16W,L,4P,TP,1010	4	SA
...4		2011-001519	R-NETWORK;33OHM,5%,1/16W,L,CHIP,4P,TP,1.	2	SA
...4	AD480	2203-000233	C-CER,CHIP;0.1nF,5%,50V,C0G,TP,1005	7	SA
...4	AD480	2203-000254	C-CER,CHIP;10nF,10%,16V,X7R,TP,1005	5	SA
...4	AD480	2203-000278	C-CER,CHIP;0.01nF,0.5pF,50V,C0G,TP,1005	4	SA
...4	AD480	2203-000359	C-CER,CHIP;0.15nF,5%,50V,C0G,TP,1005,0.5	2	SA
...4	AD480	2203-000438	C-CER,CHIP;1nF,10%,50V,X7R,TP,1005	11	SA
...4	AD480	2203-000575	C-CER,CHIP;220nF,10%,25V,X7R,TP,2012	3	SNA
...4	AD480	2203-000627	C-CER,CHIP;0.022nF,5%,50V,C0G,TP,1005	2	SNA
...4	AD480	2203-000679	C-CER,CHIP;0.027nF,5%,50V,C0G,TP,1005	1	SNA
...4	AD480	2203-000696	C-CER,CHIP;0.002nF,0.25pF,50V,C0G,TP,100	2	SA
...4	AD480	2203-000714	C-CER,CHIP;3.3nF,10%,50V,X7R,TP,1005	10	SA
...4	AD480	2203-000995	C-CER,CHIP;0.047nF,5%,50V,C0G,TP,1005	2	SA
...4	AD480	2203-001412	C-CER,CHIP;0.03nF,5%,50V,NP0,TP,1005	6	SNA
...4	AD480	2203-002285	C-CER,CHIP;10nF,10%,50V,X7R,TP,1005	10	SNA
...4	AD480	2203-002443	C-CER,CHIP;0.33nF,10%,50V,X7R,TP,1005	2	SA
...4	AD480	2203-005221	C-CER,CHIP;15nF,10%,50V,X7R,TP,1608	1	SNA
...4	AD480	2203-005249	C-CER,CHIP;100nF,10%,50V,X7R,TP,1608	15	SNA
...4	AD480	2203-005481	C-CER,CHIP;47nF,10%,10V,X7R,TP,1005	6	SA
...4	AD480	2203-005659	C-CER,CHIP;0.18nF,5%,50V,NP0,TP,1005	1	SNA
...4	AD480	2203-006048	C-CER,CHIP;100nF,10%,10V,X7R,TP,1005	108	SA
...4	AD480	2203-006307	C-CER,CHIP;1000nF,10%,25V,X5R,TP,2012	2	SNA
...4	AD480	2203-006324	C-CER,CHIP;2200nF,10%,10V,X5R,TP,1608	4	SA
...4	AD480	2203-006361	C-CER,CHIP;10000nF,10%,10V,X5R,TP,2012	13	SC

Exploded Views and Parts List

Level	Loc.	Part Code	Description & Specification	Qty.	SA/SNA
...4	AD480	2203-006474	C-CER,CHIP;22000nF,20%,6.3V,X5R,TP,2012	19	SA
...4	AD480	2203-006562	C-CER,CHIP;1000nF,10%,10V,X5R,TP,1005	14	SNA
...4	AD480	2203-006838	C-CER,CHIP;2200nF,10%,6.3V,X5R,TP,1005	3	SA
...4	AD480	2203-006842	C-CER,CHIP;0.47nF,5%,50V,C0G,TP,1005	5	SNA
...4	AD480	2203-006890	C-CER,CHIP;10000nF,20%,6.3V,X5R,TP,1608	26	SA
...4	AD480	2203-006992	C-CER,CHIP;0.33nF,5%,50V,C0G,TP,1005	8	SNA
...4	AD480	2203-007176	C-CER,CHIP;10000nF,10%,16V,X5R,TP,2012,1	6	SNA
...4	AD480	2203-007370	C-CER,CHIP;10000nF,10%,10V,X7R,TP,2012	2	SA
...4	AD480	2203-007513	C-CER,CHIP;10000nF,10%,10V,X5R,TP,1608,0	15	SA
...4		2703-000158	INDUCTOR-SMD;1uH,10%,2012,.40Ohm,50mA,45,	3	SA
...4		2703-001209	INDUCTOR-SMD;1.2uH,10%,1608,.80Ohm,25mA,3	3	SA
...4		2703-002332	INDUCTOR-SMD;330nH,5%,1608,30Ohm,100mA,32	1	SA
...4		2703-003149	INDUCTOR-SMD;2.2uH,20%,5050,0.0550Ohm,300	2	SA
...4		2703-003343	INDUCTOR-SMD;2.2uH,20%,2520,0.1040Ohm,130	1	SNA
...4		2703-003407	INDUCTOR-SMD;120nH,5%,1608,1.20Ohm,300mA,	2	SA
...4		2703-003930	INDUCTOR-SMD;4.7uH,20%,5050,0.0720Ohm,245	5	SA
...4		2801-003773	CRYSTAL-SMD;12MHz,30ppm,28-AAN,20pF,50oh	1	SA
...4		3301-002039	BEAD-SMD;26ohm,1608,TP	53	SA
...4		3701-001861	CONNECTOR-HDMI;19P,2ROW,FEMALE,SMD-A,AU	2	SA
...4		3707-001106	CONNECTOR-OPTICAL;STRAIGHT W/L,SPDIF	1	SA
...4		3708-003073	CONNECTOR-FPC/FFC/PIC;51P,0.5mm,SMD,AU,N	1	SNA
...4		3709-001712	CONNECTOR-CARD SLOT;68P,1.27mm,ANGLE,AU,	1	SA
...4	EH01	3711-007742	HEADER-BOARD TO CABLE;BOX,20P,2R,2mm,ANG	2	SA
...4	EH01	3711-008131	HEADER-BOARD TO CABLE;BOX,4P,1R,2.5mm,AN	1	SA
...4		3722-003457	JACK-USB;4P/1C,NI,BLK,A	1	SA
...4		3722-003546	JACK-PIN;5P+Screw hole,NI+SN,G,Y/BLU/RED	1	SA
...4		3722-003655	JACK-SCART;21P,SN,BLK	1	SA
...4		3722-003667	JACK-PHONE;1P/7C,AU/NI,BLK,STRAIGHT	1	SA
...4	ET01	BN40-00256A	TUNER;DTOS40EIH035A,DTOS40EIH035A,DVB-TC	1	SA
...4		BN41-01954B	PCB MAIN;NT13 ISDB-T,FR-4,4,1.2T,192*158	1	SNA
...4		BN97-06502F	ASSY MICOM-SUB;T-NVTF6EUS,NT13 EU (F4500	1	SNA
....5		1107-002226	IC-NOR FLASH;W25Q40CLSSIP,4Mbit,SOIC,8P,	1	SNA
...4		BN97-06502H	ASSY MICOM;T-NVTF6DEUC,NT13 EU2 (F4500/F	1	SNA
....5		1107-002049	IC-NAND FLASH;K9F1G08U0D-SCB0,1Gbit,128M	1	SNA
....5		BN46-00316C	S/W-E-MANUAL;NOVATEK13,EU2,XH	1	SNA
....5		BN46-00323A	S/W MICOM;T-NVTF6DEUC-1028.0,2013.10.23	1	SNA
...3		BN97-07120A	ASSY DRM;EUROPE	1	SNA
...4		BN46-00328A	KEY CODE;KEY CODE-CERTIFI:CI+,TV,NT13,eu	1	SNA
1		BN92-11716A	ASSY P/MATERIAL;UF6000 37	1	SNA
.2		6902-001671	BAG ROLL;HDPE/PE FOAM,T0.01/T0.3,W750,L3	2	SNA

Level	Loc.	Part Code	Description & Specification	Qty.	SA/SNA
.2		6922-000013	BAND PP;PP,W18,L2300/L2900,TRP	1	SNA
.2		BN01-00156A	FOIL-STRETCH-HOOD;UE42F5000,LLDPE*,T0.08	0	SNA
.2		BN63-11092A	COVER-SHEET NITRON;PS51F8500,PE,T4.0,W12	1	SNA
.2		BN69-08272A	CUSHION-SET;UF6200, 40 ,WW,EPS	1	SNA
.2		BN69-08430A	CUSHION-FRONT;UF7000 40,EPS,EXPORT	1	SNA
..3		0103-005099	RESIN-EPS;BASF303,Natural,Natural	40	SNA
.2		BN69-09102A	PALLET-WOODEN;UE40F6510,WOOD,1290,1190,1	1	SNA
.2		BN74-00008H	TAPE OPP-MASKING;T0.065,W75,L1500M,NTR,S	3	SNA
1		BN92-11813N	ASSY LABEL;F5000	1	SNA
.2		BN68-04898N	LEAFLET-03,STAND GUIDE;UF6100,EU N.AFRIC	1	SNA
.2	T0527	BP68-00052B	LABEL-00,RATING;FPTV,PET,T0.05,93,73	1	SNA
1	ACCE1	BN92-11988P	ASSY ACCESSORY;UF6M,F6100,EUROPE	1	SNA
.2		BN68-05417A	LABEL-01,STICKER;ALL,EDC,Polypropylene,T	1	SNA
.2	ACCE4	BN96-25424Z	ASSY ACCESSORY-MANUAL;UE32F6100AWXXH,40,	1	SNA
..3		6902-000476	BAG PE;LDPE,T0.03,W250,L350,TRP,Recycle,	1	SNA
..3		BN68-03548J	LEAFLET-05,WARRANTY CARD;comm,Samsung,17	1	SNA
..3		BN68-04906C	MANUAL USERS-07;UF6100,ENG/POL/SLV/HUN/S	1	SNA
..3		BN68-04972A	MANUAL FLYER-03,REGULATORY GUI;ALL,SAMSU	1	SNA
..3		BN68-05115H	LEAFLET-02,FICHE(UF6100);UF6100,EUROPE,W	1	SNA
.2	3DGLA	BN96-25614A	ASSY ACCESSORY 3D GLASSES;SSG-5100GB,In	1	SC
..3		BN81-09133A	A/S-GLASSES;SSG-5100GB,only glasses	1	SNA
.2	ACCE2	BN96-29972A	ASSY ACCESSORY-CABLE;UE40F61**AWXXH,SEH	1	SNA
..3	T0268	3903-000849	CBF-POWER CORD;DT,CEE,LP-21L,250V,2.5A,B	1	SA
..3		4301-000121	BATTERY-MN;1.5V,R03,10.5x44.5m,7.5g,AAA	2	SNA
..3	SCREW	6003-001782	SCREW-TAPTYPE;BH,+,B,M4,L12,ZPC(BLK),SWR	8	SA
..3		6902-000286	BAG PE;LDPE,T0.03,W200,L300,TRP,28,2	1	SNA
..3	REMO2	AA59-00743A	REMOCON;TM1240,44,3.0V,F6100/EU	1	SA
..3		BN68-04735A	LABEL-E,PASS;ALL MODEL,ART PAPER 90G,50,	1	SNA
..3		BN69-08449A	BAG VINYL;LDPE,0.04,L1000,W120	0	SNA
..3		BN96-15806B	ASSY HOLDER P-WIRE STAND;UE5500,NYLON,BL	1	SNA
...4		BN61-04731D	BOSS-TAPE;AMBER,ACRYL,T1.1,W20.0mm,WHITE	0	SNA
...4		BN61-05491C	HOLDER-WIRE STAND;UE5500,NYLON,BLK	1	SNA
1		BN92-13438C	ASSY BOX;UF6300, 40	1	SNA
.2		BH68-00662A	LABEL BOX-01;ALL MODEL,ART PAPER,60,110,	1	SNA
.2		BN69-08522F	BOX-01,SET;40UF6100-QS,CB,A-01,SW3,YEL,W	1	SNA