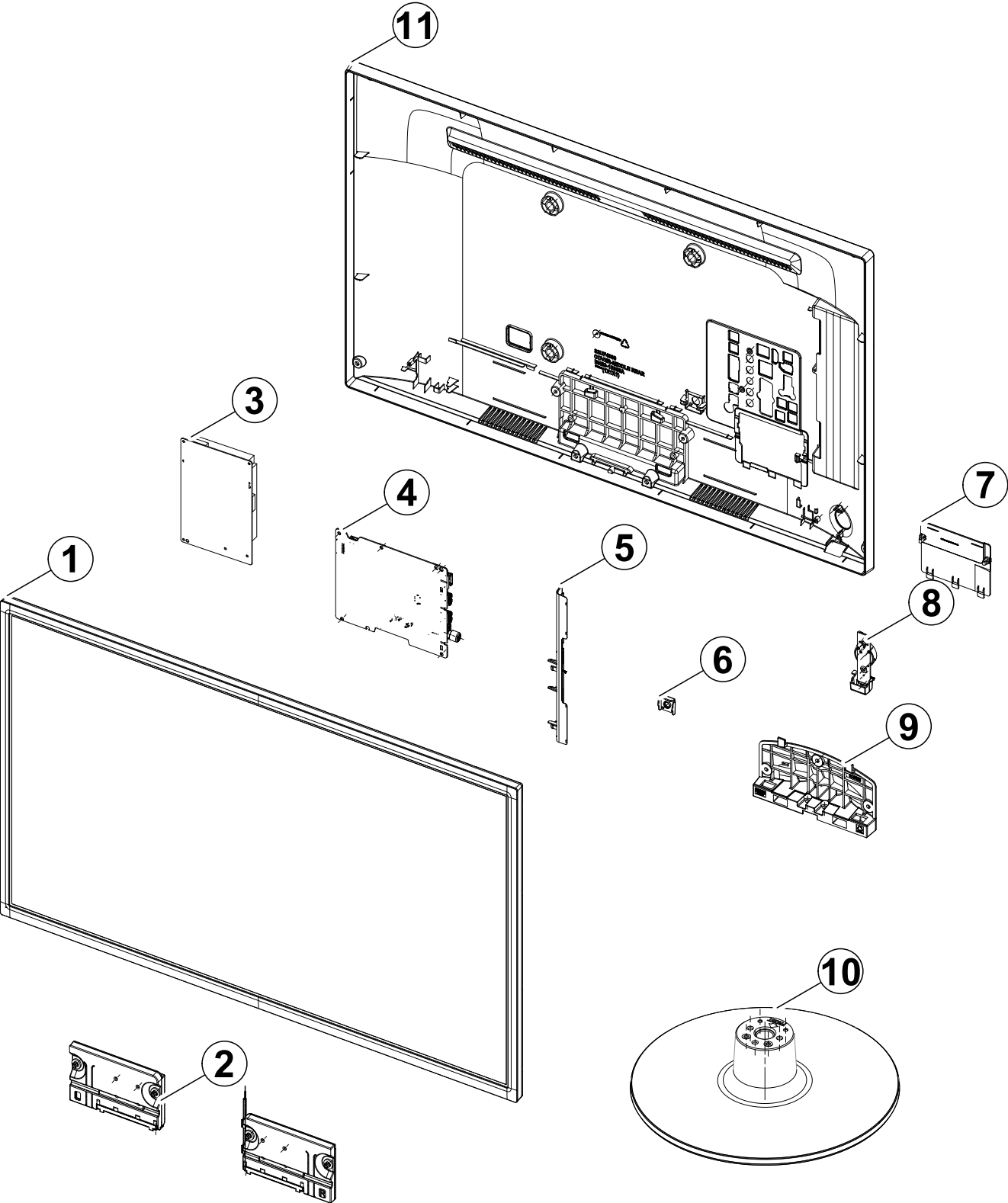


# 1. Exploded View & Part List

## Exploded View



## Parts List

| No. | Lvl. | Loc.  | Material Code | Description & Specification                  | SNA | Qty. |
|-----|------|-------|---------------|--|-----|------|
| 1   | 2    | PANEL | BN07-01263A   | LCD-PANEL; HF320AGM-C1,CFH4AM1,8bit,32 IN    | SA  | 1    |
| 2   | 2    | SP01A | BN96-25568A   | ASSY SPEAKER P; 6ohm,10W,Enclosure_F4k       | SA  | 1    |
| 3   | 2    | P001A | BN44-00604B   | DC VSS-LED TV PD BD;<br>L32S0_DDY,L32S0_DDY, | SC  | 1    |
| 4   | 2    | M0014 | BN94-06780D   | ASSY PCB MAIN; UE32F4000AWXXH                | SA  | 1    |
| 5   | 2    |       | BN61-09059B   | HOLDER-SIDE AV;<br>UF4000(1-TUNER),ABS+PC,GY | SNA | 1    |
| 6   | 3    |       | BN96-27450B   | ASSY HOLDER P-WALL;<br>32F4000,LDPE,METAL    | SNA | 1    |
| 7   | 2    | FC05  | BN63-10206L   | COVER-JACK; UF4000,32,PC+ABS,GY0275,V0       | SNA | 1    |
| 8   | 3    | FB01A | BN96-26402B   | ASSY BOARD P-JOG SWITCH & IR;<br>UE32F4000,F | SA  | 1    |
| 9   | 2    | SG03  | BN61-08775B   | GUIDE-STAND;<br>UF4000,32,PC+G/F20%,V2,GY027 | SA  | 1    |
| 10  | 2    | SB04A | BN96-26470B   | ASSY STAND P-BASE;<br>UF4000,28/32,EO,ABS+PC | SA  | 1    |
| 11  | 2    | MR01A | BN96-25610V   | ASSY COVER P-MIDDLE REAR;<br>UF4000,32,PC+AB | SA  | 1    |

## 2. Electrical Parts List

| Level | Loc.  | Part Code   | Description & Specification              | Qty. | SA/SNA |
|-------|-------|-------------|--|------|--------|
|       |       |             | <b>UE32F4000AWXXH (CD02)</b>             |      |        |
| 1     | S001A | BN90-04433B | ASSY STAND;UF4000,32,ROUND-STAND         | 1    | SNA    |
| .2    | SG03  | BN61-08775B | GUIDE-STAND;UF4000,32,PC+G/F20%,V2,GY027 | 1    | SA     |
| ..3   |       | 0103-009978 | RESIN-PC;G720/GY415,Gray,GY0274,V2       | 124  | SNA    |
| .2    | SB04A | BN96-26470B | ASSY STAND P-BASE;UF4000,28/32,EO,ABS+PC | 1    | SA     |
| ..3   |       | BN63-10390B | COVER-STAND BASE;UF4000,28/32,ABS+PC,V0, | 1    | SNA    |
| ...4  |       | 0103-005041 | RESIN PC ABS;FR3200TV,901408,BK0008,1.2m | 233  | SNA    |
| ..3   |       | BN67-00306K | RUBBER-LEG;F4000,TPE,13x13x4;6,GRY       | 4    | SNA    |
| ..3   |       | BN69-08751B | WRAP VINYL-SHRINK;STAND,PLASTIC OTHERS,P | 0    | SNA    |
| 1     |       | BN90-04468J | ASSY COVER MIDDLE-REAR;UF4000 32         | 1    | SNA    |
| .2    | SCREW | 6001-002755 | SCREW-MACHINE;BH,+,M3,L6,ZPC(BLK),SWRCH1 | 2    | SA     |
| .2    | SCREW | 6003-001782 | SCREW-TAPTYPE;BH,+,B,M4,L12,ZPC(BLK),SWR | 8    | SA     |
| .2    | MR01A | BN96-25610V | ASSY COVER P-MIDDLE REAR;UF4000,32,PC+AB | 1    | SA     |
| ..3   |       | 0203-001598 | TAPE-FILAMENT;#8915,0.15,12,55000,CLR    | 0    | SNA    |
| ..3   | SCREW | 6003-000117 | SCREW-TAPTYPE;BH,+,B,M3,L6,ZPC(WHT),SWRC | 2    | SNA    |
| ..3   | AS080 | BN63-07556T | SHEET-COVER;TOC,urethane,T0.07,W22mm,100 | 2    | SNA    |
| ..3   |       | BN63-10386E | COVER-MIDDLE REAR;UF4000,32,PC+ABS-G/F15 | 1    | SNA    |
| ...4  |       | 0103-009931 | RESIN-PC ABS;HM-1150S,GRAY,GY0274,V1     | 1055 | SNA    |
| ..3   |       | BN63-10851A | SHEET-COVER;UF5000,PET,0.1,45,16,BLACK   | 2    | SNA    |
| ..3   |       | BN68-04709G | LABEL-TERMINAL SIDE;UF4000,EO/CIS T2C,PE | 1    | SNA    |
| ..3   | FB01A | BN96-26402B | ASSY BOARD P-JOG SWITCH & IR;UE32F4000,F | 1    | SA     |
| ...4  | EC13  | BN39-01873A | LEAD CONNECTOR;UA22F5000AJXZK,Cable Conn | 1    | SA     |
| ...4  | FB01A | BN96-26402A | ASSY BOARD P-JOG SWITCH & IR;UE32F4000,F | 1    | SNA    |
| ..3   |       | BN96-27450B | ASSY HOLDER P-WALL;32F4000,LDPE,METAL    | 1    | SNA    |
| ...4  |       | BN61-09442B | HOLDER-WALL;32F4000,LDPE,BLK             | 1    | SNA    |
| ...4  |       | BN61-09462B | BRACKET-NUT;32F4000,GI,T5.5,W12,L12,WALL | 1    | SNA    |
| 1     |       | BN90-04564A | ASSY W/I;UF4B,U32FB*                     | 1    | SNA    |
| .2    |       | BN81-08159B | PART SET-MECH W/I;UF4B,U32FB*            | 1    | SNA    |
| .2    |       | BN81-08159Z | PART SET-ELEC W/I;UF4~UF8,UH4~UH9 ELEC   | 1    | SNA    |
| 1     |       | BN91-10307N | ASSY SHIELD;UE32F4000(EU)                | 1    | SNA    |
| .2    | SCREW | 6001-003016 | SCREW-MACHINE;PWH,+,M3.0,L5.0,ZPC(WHT),S | 9    | SA     |
| .2    | EC13  | BN39-01455W | LEAD CONNECTOR;UN32F5000,Flat Connector  | 1    | SA     |
| .2    | EC13  | BN39-01800A | LEAD CONNECTOR;32inch HD Top-Side Direct | 1    | SA     |
| .2    | P001A | BN44-00604B | DC VSS-LED TV PD BD;L32S0_DDY,L32S0_DDY, | 1    | SC     |
| .2    |       | BN61-09059B | HOLDER-SIDE AV;UF4000(1-TUNER),ABS+PC,GY | 1    | SNA    |
| .2    | FC05  | BN63-10206L | COVER-JACK;UF4000,32,PC+ABS,GY0275,V0    | 1    | SNA    |
| ..3   |       | 0103-009930 | RESIN-PC ABS;NH-1017SG,GRAY,GY0275,V0    | 12   | SNA    |
| .2    | FL06  | BN96-20370Z | ASSY CABLE P-FFC;UN32F4000,FFC,340mm,30p | 1    | SA     |

Exploded Views and Parts List

| Level | Loc.  | Part Code   | Description & Specification              | Qty. | SA/SNA |
|-------|-------|-------------|--|------|--------|
| .2    | SP01A | BN96-25568A | ASSY SPEAKER P;6ohm,10W,Enclosure_F4k    | 1    | SA     |
| 1     |       | BN91-10464A | ASSY LCD;BN07-01263A                     | 1    | SNA    |
| .2    | PANEL | BN07-01263A | LCD-PANEL;HF320AGM-C1,CFH4AM1,8bit,32 IN | 1    | SA     |
| ...3  | TC01A | BN81-08322A | A/S-CHASS-TOP;F4000/4500 32",CMI (CLO)   | 1    | SNA    |
| 1     | M0017 | BN91-10542B | ASSY CHASSIS;UF4B,F4000                  | 1    | SNA    |
| .2    | M0014 | BN94-06780D | ASSY PCB MAIN;UE32F4000AWXXH             | 1    | SA     |
| ...3  |       | 0202-001608 | SOLDER-WIRE FLUX;LFC7-107,D0.8,99.3Sn/0. | 0    | SNA    |
| ...3  |       | BN97-07183A | ASSY DRM-KEY;BN46-00115J(CI+)            | 1    | SNA    |
| ...4  |       | BN46-00115J | KEY CODE-CERTIFI;CI+,TV,2013X,Euro       | 1    | SNA    |
| ...3  |       | BN97-07694B | ASSY SMD;UE32F4000AWXXH,UF4B             | 1    | SNA    |
| ...4  |       | 0202-001830 | SOLDER-CREAM;LFM-48W TM-HP,D20~38um,96.5 | 6    | SNA    |
| ...4  | DS01A | 0401-001056 | DIODE-SWITCHING;MMBD4148SE,100V,200mA,SO | 1    | SA     |
| ...4  |       | 0403-001783 | DIODE-ZENER;BZB84-C6V2,5.8/6.6V,300mW,SO | 6    | SNA    |
| ...4  |       | 0403-001785 | DIODE-ZENER;NZH5V1B,4.94/5.2V,500mW,SOD- | 1    | SA     |
| ...4  |       | 0404-001404 | DIODE-SCHOTTKY;BAT721C,40V,200mA,SOT-23, | 2    | SA     |
| ...4  |       | 0406-001200 | DIODE-TVS;RCLAMP0504F,6/-V,150W,SC-70    | 1    | SA     |
| ...4  |       | 0501-000279 | TR-SMALL SIGNAL;KSA1182-Y,PNP,150mW,SOT- | 1    | SA     |
| ...4  |       | 0501-000445 | TR-SMALL SIGNAL;KTC3875S-Y,NPN,150mW,SOT | 16   | SC     |
| ...4  |       | 0505-000110 | FET-SILICON;2N7002,N,60V,115mA,7.5ohm,0. | 8    | SA     |
| ...4  |       | 0505-002560 | FET-SILICON;AO6415,P,-20V,-3.3A,0.15ohm, | 1    | SA     |
| ...4  |       | 0801-002630 | IC-CMOS LOGIC;74AHCT1G08,2-INPUT AND GAT | 1    | SA     |
| ...4  |       | 0801-002780 | IC-CMOS LOGIC;74LVC1G17,SCHMITT-TRIGGER  | 1    | SA     |
| ...4  |       | 0801-003330 | IC-CMOS LOGIC;Octal buffer,DQFN,20P,4.5x | 3    | SA     |
| ...4  |       | 0802-001012 | IC-CMOS LOGIC;74LCX245,TRANSCEIVER,DQFN, | 1    | SNA    |
| ...4  |       | 1001-001545 | IC-ANALOG MULTIPLEX;TS3USB221ERSER,R-PQF | 1    | SA     |
| ...4  |       | 1103-001531 | IC-EEPROM;S-24C256CI-J8T1U4,256Kbit,32Kx | 1    | SA     |
| ...4  |       | 1103-001561 | IC-EEPROM;S-24C02DI-J800,2Kbit,256X8bit, | 1    | SA     |
| ...4  |       | 1105-002227 | IC-DDR3 SDRAM;K4B1G1646G-BCK0,DDR3 SDRAM | 2    | SA     |
| ...4  |       | 1201-003183 | IC-AUDIO AMP;DRV612,HTSSOP,14P,5x4.4mm,D | 1    | SA     |
| ...4  |       | 1201-003333 | IC-POWER AMP;NTP-7412S,MLF,48P,7x7mm,DUA | 1    | SA     |
| ...4  |       | 1203-004364 | IC-VOL. DETECTOR;RT9818C-42PV,SOT-23,3P, | 1    | SA     |
| ...4  |       | 1203-006017 | IC-VOL. DETECTOR;RT9824GJ8,TSOT23,8P,2.9 | 1    | SA     |
| ...4  |       | 1203-006130 | IC-POSI.FIXED REG.;S-1172B25-U5T1G,SOT-8 | 1    | SA     |
| ...4  |       | 1203-006135 | IC-POSI.FIXED REG.;AP1117D-33-GZ-13-89,T | 1    | SA     |
| ...4  |       | 1203-006136 | IC-POSI.FIXED REG.;AP1117D-18-GZ-13-89,T | 1    | SA     |
| ...4  |       | 1203-006138 | IC-POSI.ADJUST REG.;AP1117DGZ-13-89,TO-2 | 1    | SA     |
| ...4  |       | 1203-006337 | IC-POSI.FIXED REG.;G9091-330T11U,SOT-23- | 1    | SA     |
| ...4  |       | 1203-006710 | IC-DC/DC CONVERTER;RT8016L-GQW,WQFN,8P,1 | 2    | SA     |
| ...4  |       | 1203-007502 | IC-DC/DC CONVERTER;AOZ3011PI,SO-8,8Z30,4 | 2    | SA     |
| ...4  |       | 1204-003423 | IC-DECODER;SEMS29,LFBGA,557Z30,20.2x20.2 | 1    | SA     |

| Level | Loc. | Part Code   | Description & Specification              | Qty. | SA/SNA |
|-------|------|-------------|--|------|--------|
| ...4  |      | 1405-001271 | VARISTOR;35V,20Vdc,5A,1.0x0.5x0.6mm,TP,1 | 14   | SA     |
| ...4  |      | 2007-000137 | R-CHIP;2Kohm,5%,1/16W,TP,1005            | 7    | SNA    |
| ...4  |      | 2007-000138 | R-CHIP;100ohm,5%,1/16W,TP,1005           | 23   | SA     |
| ...4  |      | 2007-000142 | R-CHIP;2.7Kohm,5%,1/16W,TP,1005          | 1    | SA     |
| ...4  |      | 2007-000143 | R-CHIP;4.7Kohm,5%,1/16W,TP,1005          | 46   | SNA    |
| ...4  |      | 2007-000148 | R-CHIP;10Kohm,5%,1/16W,TP,1005           | 37   | SA     |
| ...4  |      | 2007-000153 | R-CHIP;22Kohm,5%,1/16W,TP,1005           | 7    | SNA    |
| ...4  |      | 2007-000154 | R-CHIP;24Kohm,5%,1/16W,TP,1005           | 2    | SA     |
| ...4  |      | 2007-000155 | R-CHIP;27Kohm,5%,1/16W,TP,1005           | 1    | SNA    |
| ...4  |      | 2007-000157 | R-CHIP;47Kohm,5%,1/16W,TP,1005           | 7    | SNA    |
| ...4  |      | 2007-000162 | R-CHIP;100Kohm,5%,1/16W,TP,1005          | 4    | SNA    |
| ...4  |      | 2007-000168 | R-CHIP;470Kohm,5%,1/16W,TP,1005          | 1    | SA     |
| ...4  |      | 2007-000170 | R-CHIP;1Mohm,5%,1/16W,TP,1005            | 2    | SNA    |
| ...4  |      | 2007-000172 | R-CHIP;10ohm,5%,1/16W,TP,1005            | 2    | SNA    |
| ...4  |      | 2007-000173 | R-CHIP;22ohm,5%,1/16W,TP,1005            | 3    | SNA    |
| ...4  |      | 2007-000174 | R-CHIP;47ohm,5%,1/16W,TP,1005            | 2    | SNA    |
| ...4  |      | 2007-000256 | R-CHIP;1.6Kohm,1%,1/10W,TP,1608          | 1    | SA     |
| ...4  |      | 2007-000475 | R-CHIP;1Mohm,1%,1/10W,TP,1608            | 2    | SA     |
| ...4  |      | 2007-000691 | R-CHIP;3.3Mohm,5%,1/10W,TP,1608          | 1    | SA     |
| ...4  |      | 2007-000695 | R-CHIP;3.3ohm,5%,1/10W,TP,1608           | 4    | SNA    |
| ...4  |      | 2007-000775 | R-CHIP;33Kohm,5%,1/16W,TP,1005           | 2    | SNA    |
| ...4  |      | 2007-000803 | R-CHIP;36Kohm,1%,1/10W,TP,1608           | 2    | SA     |
| ...4  |      | 2007-000932 | R-CHIP;470ohm,5%,1/16W,TP,1005           | 2    | SNA    |
| ...4  |      | 2007-000979 | R-CHIP;5.6Kohm,1%,1/10W,TP,1608          | 1    | SA     |
| ...4  |      | 2007-001168 | R-CHIP;75ohm,5%,1/4W,TP,3216             | 1    | SA     |
| ...4  |      | 2007-001292 | R-CHIP;33ohm,5%,1/16W,TP,1005            | 18   | SNA    |
| ...4  |      | 2007-001298 | R-CHIP;51ohm,5%,1/16W,TP,1005            | 2    | SNA    |
| ...4  |      | 2007-001301 | R-CHIP;68ohm,5%,1/16W,TP,1005            | 7    | SA     |
| ...4  |      | 2007-001313 | R-CHIP;330ohm,5%,1/16W,TP,1005           | 2    | SNA    |
| ...4  |      | 2007-001325 | R-CHIP;3.3Kohm,5%,1/16W,TP,1005          | 1    | SNA    |
| ...4  |      | 2007-001333 | R-CHIP;18Kohm,5%,1/16W,TP,1005           | 4    | SNA    |
| ...4  |      | 2007-002970 | R-CHIP;56ohm,5%,1/16W,TP,1005            | 5    | SA     |
| ...4  |      | 2007-007095 | R-CHIP;390ohm,5%,1/16W,TP,1005           | 1    | SA     |
| ...4  |      | 2007-007142 | R-CHIP;10Kohm,1%,1/16W,TP,1005           | 4    | SNA    |
| ...4  |      | 2007-007156 | R-CHIP;1ohm,5%,1/16W,TP,1005             | 15   | SNA    |
| ...4  |      | 2007-007311 | R-CHIP;22Kohm,1%,1/16W,TP,1005           | 1    | SA     |
| ...4  |      | 2007-007313 | R-CHIP;6.8Kohm,1%,1/16W,TP,1005          | 2    | SA     |
| ...4  |      | 2007-007318 | R-CHIP;1Kohm,1%,1/16W,TP,1005            | 28   | SNA    |
| ...4  |      | 2007-007352 | R-CHIP;130Kohm,1%,1/10W,TP,1608          | 2    | SA     |
| ...4  |      | 2007-007463 | R-CHIP;1.1Kohm,1%,1/16W,TP,1005          | 1    | SA     |

Exploded Views and Parts List

| Level | Loc.  | Part Code   | Description & Specification              | Qty. | SA/SNA |
|-------|-------|-------------|--|------|--------|
| ...4  |       | 2007-007517 | R-CHIP;240ohm,1%,1/16W,TP,1005           | 2    | SNA    |
| ...4  |       | 2007-007766 | R-CHIP;2Kohm,1%,1/16W,TP,1005            | 6    | SNA    |
| ...4  |       | 2007-008015 | R-CHIP;75ohm,1%,1/16W,TP,1005            | 11   | SA     |
| ...4  |       | 2007-008275 | R-CHIP;30Kohm,1%,1/16W,TP,1005           | 2    | SNA    |
| ...4  |       | 2007-008649 | R-CHIP;220ohm,1%,1/16W,TP,1005           | 1    | SNA    |
| ...4  |       | 2011-000515 | R-NETWORK;4.7Kohm,5%,1/16W,L,CHIP,8P,TP, | 1    | SA     |
| ...4  |       | 2011-001261 | R-NETWORK;33ohm,5%,1/16W,L,CHIP,8P,TP,2. | 6    | SA     |
| ...4  |       | 2011-001262 | R-NETWORK;22ohm,5%,1/16W,L,CHIP,8P,TP,2. | 2    | SA     |
| ...4  |       | 2011-001344 | R-NETWORK;100ohm,5%,1/16W,L,CHIP,8P,TP,2 | 3    | SA     |
| ...4  |       | 2011-001449 | R-NETWORK;22ohm,5%,1/16W,L,4P,TP,1010    | 4    | SA     |
| ...4  |       | 2011-001506 | R-NETWORK;10Kohm,5%,1/16W,L,CHIP,4P,TP,1 | 1    | SNA    |
| ...4  | AD480 | 2203-000233 | C-CER,CHIP;0.1nF,5%,50V,C0G,TP,1005      | 6    | SA     |
| ...4  | AD480 | 2203-000438 | C-CER,CHIP;1nF,10%,50V,X7R,TP,1005       | 11   | SA     |
| ...4  | AD480 | 2203-000489 | C-CER,CHIP;2.2nF,10%,50V,X7R,TP,1005     | 6    | SA     |
| ...4  | AD480 | 2203-000585 | C-CER,CHIP;0.22nF,10%,50V,X7R,TP,1005    | 2    | SA     |
| ...4  | AD480 | 2203-000627 | C-CER,CHIP;0.022nF,5%,50V,C0G,TP,1005    | 2    | SNA    |
| ...4  | AD480 | 2203-000714 | C-CER,CHIP;3.3nF,10%,50V,X7R,TP,1005     | 4    | SA     |
| ...4  | AD480 | 2203-000812 | C-CER,CHIP;0.033nF,5%,50V,C0G,TP,1005    | 7    | SA     |
| ...4  | AD480 | 2203-000995 | C-CER,CHIP;0.047nF,5%,50V,C0G,TP,1005    | 4    | SA     |
| ...4  | AD480 | 2203-002285 | C-CER,CHIP;10nF,10%,50V,X7R,TP,1005      | 11   | SNA    |
| ...4  | AD480 | 2203-002525 | C-CER,CHIP;0.56nF,10%,50V,X7R,TP,1005    | 4    | SNA    |
| ...4  | AD480 | 2203-005054 | C-CER,CHIP;0.0047nF,0.25pF,50V,NP0,TP,10 | 2    | SA     |
| ...4  | AD480 | 2203-005249 | C-CER,CHIP;100nF,10%,50V,X7R,TP,1608     | 14   | SNA    |
| ...4  | AD480 | 2203-005344 | C-CER,CHIP;22nF,10%,25V,X7R,TP,1005,0.5T | 3    | SNA    |
| ...4  | AD480 | 2203-006048 | C-CER,CHIP;100nF,10%,10V,X7R,TP,1005     | 84   | SA     |
| ...4  | AD480 | 2203-006126 | C-CER,CHIP;47nF,10%,16V,X7R,TP,1005      | 16   | SNA    |
| ...4  | AD480 | 2203-006324 | C-CER,CHIP;2200nF,10%,10V,X5R,TP,1608    | 8    | SA     |
| ...4  | AD480 | 2203-006474 | C-CER,CHIP;22000nF,20%,6.3V,X5R,TP,2012  | 20   | SA     |
| ...4  | AD480 | 2203-006562 | C-CER,CHIP;1000nF,10%,10V,X5R,TP,1005    | 13   | SNA    |
| ...4  | AD480 | 2203-006636 | C-CER,CHIP;220nF,10%,25V,X7R,TP,1608     | 3    | SA     |
| ...4  | AD480 | 2203-006890 | C-CER,CHIP;10000nF,20%,6.3V,X5R,TP,1608  | 18   | SA     |
| ...4  | AD480 | 2203-006992 | C-CER,CHIP;0.33nF,5%,50V,C0G,TP,1005     | 2    | SNA    |
| ...4  | AD480 | 2203-007176 | C-CER,CHIP;10000nF,10%,16V,X5R,TP,2012,1 | 4    | SNA    |
| ...4  | AD480 | 2203-007513 | C-CER,CHIP;10000nF,10%,10V,X5R,TP,1608,0 | 22   | SA     |
| ...4  |       | 2703-001229 | INDUCTOR-SMD;2.2uH,10%,1608,1.15Ohm,15mA | 1    | SC     |
| ...4  |       | 2703-001938 | INDUCTOR-SMD;56nH,5%,1005,1.5Ohm,200mA,1 | 3    | SA     |
| ...4  |       | 2703-002238 | INDUCTOR-SMD;1uH,5%,2012,2.38Ohm,23,Wire | 3    | SNA    |
| ...4  |       | 2703-003343 | INDUCTOR-SMD;2.2uH,20%,2520,0.104Ohm,130 | 2    | SNA    |
| ...4  |       | 2703-003790 | INDUCTOR-SMD;4.7uH,20%,8080,0.025ohm,450 | 2    | SA     |
| ...4  |       | 2703-003930 | INDUCTOR-SMD;4.7uH,20%,5050,0.072Ohm,245 | 4    | SA     |

| Level | Loc.        | Part Code   | Description & Specification              | Qty. | SA/SNA |
|-------|-------------|-------------|--|------|--------|
| ...4  |             | 2801-003326 | CRYSTAL-SMD;24MHz,30ppm,28-ABX,20pF,50oh | 1    | SA     |
| ...4  |             | 3301-002039 | BEAD-SMD;26ohm,1608,TP                   | 34   | SA     |
| ...4  |             | 3701-001861 | CONNECTOR-HDMI;19P,2ROW,FEMALE,SMD-A,AU  | 2    | SA     |
| ...4  |             | 3707-001106 | CONNECTOR-OPTICAL;STRAIGHT W/L,SPDIF     | 1    | SA     |
| ...4  |             | 3708-001150 | CONNECTOR-FPC/FFC/PIC;30P,1mm,SMD-A,SN,Z | 1    | SA     |
| ...4  |             | 3709-001712 | CONNECTOR-CARD SLOT;68P,1.27mm,ANGLE,AU, | 1    | SA     |
| ...4  |             | 3711-007569 | CONNECTOR-HEADER;BOX,14P,2R,2.0mm,DIP,SN | 1    | SA     |
| ...4  |             | 3711-007585 | CONNECTOR-HEADER;BOX,4P,1R,2.5mm,ANGLE-D | 1    | SA     |
| ...4  | EH01        | 3711-008521 | HEADER-BOARD TO CABLE;BOX,8P,1R,2mm,ANGL | 1    | SA     |
| ...4  |             | 3722-003457 | JACK-USB;4P/1C,NI,BLK,A                  | 1    | SA     |
| ...4  | JACK<br>PIN | 3722-003546 | JACK-PIN;5P+Screw hole,NI+SN,G,Y/BLU/RED | 1    | SA     |
| ...4  |             | 3722-003655 | JACK-SCART;21P,SN,BLK                    | 1    | SA     |
| ...4  |             | 3722-003667 | JACK-PHONE;1P/7C,AU/NI,BLK,STRAIGHT      | 1    | SA     |
| ...4  | ET01        | BN40-00256A | TUNER;DTOS40EIH035A,DTOS40EIH035A,DVB-TC | 1    | SA     |
| ...4  |             | BN41-01955B | PCB MAIN;X13 OS,FR-4,4,1.2T,192*158,1    | 1    | SNA    |
| ...4  |             | BN97-07187A | ASSY MICOM-SUB;T-MST13DEUS-XXXX,X13,W25Q | 1    | SNA    |
| ....5 |             | 1107-002226 | IC-NOR FLASH;W25Q40CLSSIP,4Mbit,SOIC,8P, | 1    | SNA    |
| ...4  |             | BN97-07713A | ASSY MICOM;T-MST13DEUC,BN46-00335A,BN46- | 1    | SNA    |
| ....5 |             | 1107-002252 | IC-NAND FLASH;F59L1G81A-25TIG,1Gbit,128M | 1    | SA     |
| ....5 |             | BN46-00317C | S/W-E-MANUAL;X13,EU2,XH                  | 1    | SNA    |
| ....5 |             | BN46-00361A | S/W MICOM;T-MST13DEU-XXXX,EU_ESMT,EU_ESM | 1    | SNA    |
| 1     |             | BN92-11766C | ASSY P/MATERIAL;UF4000,32,ROUND-STAND    | 1    | SNA    |
| .2    |             | 6902-001516 | BAG ROLL;HDPE/PE FOAM,T0.01/T0.3,W650,L3 | 2    | SNA    |
| .2    |             | 6922-000013 | BAND PP;PP,W18,L2300/L2900,TRP           | 1    | SNA    |
| .2    |             | BN01-00043A | FOIL-STRETCH-HOOD;LLDPE,T0.08,W980,L1400 | 0    | SNA    |
| .2    | AS080       | BN63-10787F | SHEET-COVER;UE22ES5000,PE,T4.0,W1020,L11 | 1    | SNA    |
| .2    |             | BN69-07254D | PALLET-WOODEN;UE32F4000,WOOD,1140,940,13 | 1    | SNA    |
| .2    |             | BN69-08422B | CUSHION-SET;32UF4000-RS,EPS,EPS,16.7 g/L | 1    | SNA    |
| ..3   |             | 0103-005099 | RESIN-EPS;BASF303,Natural,Natural        | 272  | SNA    |
| .2    |             | BN69-08447A | PACKING INNER-PAD;COMM,CB,SW2,T3,W800,L1 | 1    | SNA    |
| .2    |             | BN74-00008H | TAPE OPP-MASKING;T0.065,W75,L1500M,NTR,S | 2    | SNA    |
| 1     | ACCE1       | BN92-12040M | ASSY ACCESSORY;UE32F4000AWXXH            | 1    | SNA    |
| .2    |             | BN68-05417A | LABEL-02,ENERGY;ALL,EDC,Polypropylene,T0 | 1    | SNA    |
| .2    | ACCE4       | BN96-25455U | ASSY ACCESSORY MANUAL;UE32F4000AWXXH     | 1    | SNA    |
| ..3   |             | 6902-000476 | BAG PE;LDPE,T0.03,W250,L350,TRP,Recycle, | 1    | SNA    |
| ..3   |             | BN68-03548J | LEAFLET-05,WARRANTY CARD;comm,Samsung,17 | 1    | SNA    |
| ..3   |             | BN68-04784C | MANUAL USERS-06;UF5000W,ENG/POL/SLV/HUN/ | 1    | SNA    |
| ..3   |             | BN68-04972A | MANUAL FLYER-03,REGULATORY GUI;ALL,SAMSU | 1    | SNA    |
| ..3   |             | BN68-05115P | LEAFLET-FICHE(UF4000);UF4000,EUROPE,W/P8 | 1    | SNA    |
| .2    |             | BN96-25459Q | ASSY ACCESSORY CABLE;UF4B,F4000          | 1    | SNA    |

Exploded Views and Parts List

| Level | Loc.  | Part Code   | Description & Specification              | Qty. | SA/SNA |
|-------|-------|-------------|--|------|--------|
| ..3   | T0268 | 3903-000849 | CBF-POWER CORD;DT,CEE,LP-21L,250V,2.5A,B | 1    | SA     |
| ..3   |       | 4301-000121 | BATTERY-MN;1.5V,R03,10.5x44.5m,7.5g,AAA  | 2    | SNA    |
| ..3   | SCREW | 6003-001782 | SCREW-TAPTYPE;BH,+,B,M4,L12,ZPC(BLK),SWR | 7    | SA     |
| ..3   |       | 6902-000286 | BAG PE;LDPE,T0.03,W200,L300,TRP,28,2     | 1    | SNA    |
| ..3   | REMO2 | AA59-00741A | REMOCON;TM1240,44,3.0V,F5020/EU          | 1    | SA     |
| ..3   |       | BN69-07502A | BAG VINYL;LDPE,0.04,L1000,W150           | 0    | SNA    |
| ..3   |       | BN96-15806B | ASSY HOLDER P-WIRE STAND;UE5500,NYLON,BL | 1    | SNA    |
| ...4  |       | BN61-04731D | BOSS-TAPE;AMBER,ACRYL,T1.1,W20.0mm,WHITE | 0    | SNA    |
| ...4  |       | BN61-05491C | HOLDER-WIRE STAND;UE5500,NYLON,BLK       | 1    | SNA    |
| 1     |       | BN92-13834C | ASSY BOX;UF6                             | 1    | SNA    |
| .2    |       | BH68-00662A | LABEL BOX-01;ALL MODEL,ART PAPER,60,110, | 1    | SNA    |
| .2    |       | BN69-08566X | BOX-SET;32UF4000-RS,CB,A-01,SW2,YEL,H494 | 1    | SNA    |
| 1     |       | BN92-14004Z | ASSY LABEL;UF5K                          | 1    | SNA    |
| .2    |       | BN68-04898L | LEAFLET-03,STAND GUIDE;UF4000(28"/32"),E | 1    | SNA    |
| .2    | T0527 | BP68-00052B | LABEL-00,RATING;FPTV,PET,T0.05,93,73     | 1    | SNA    |