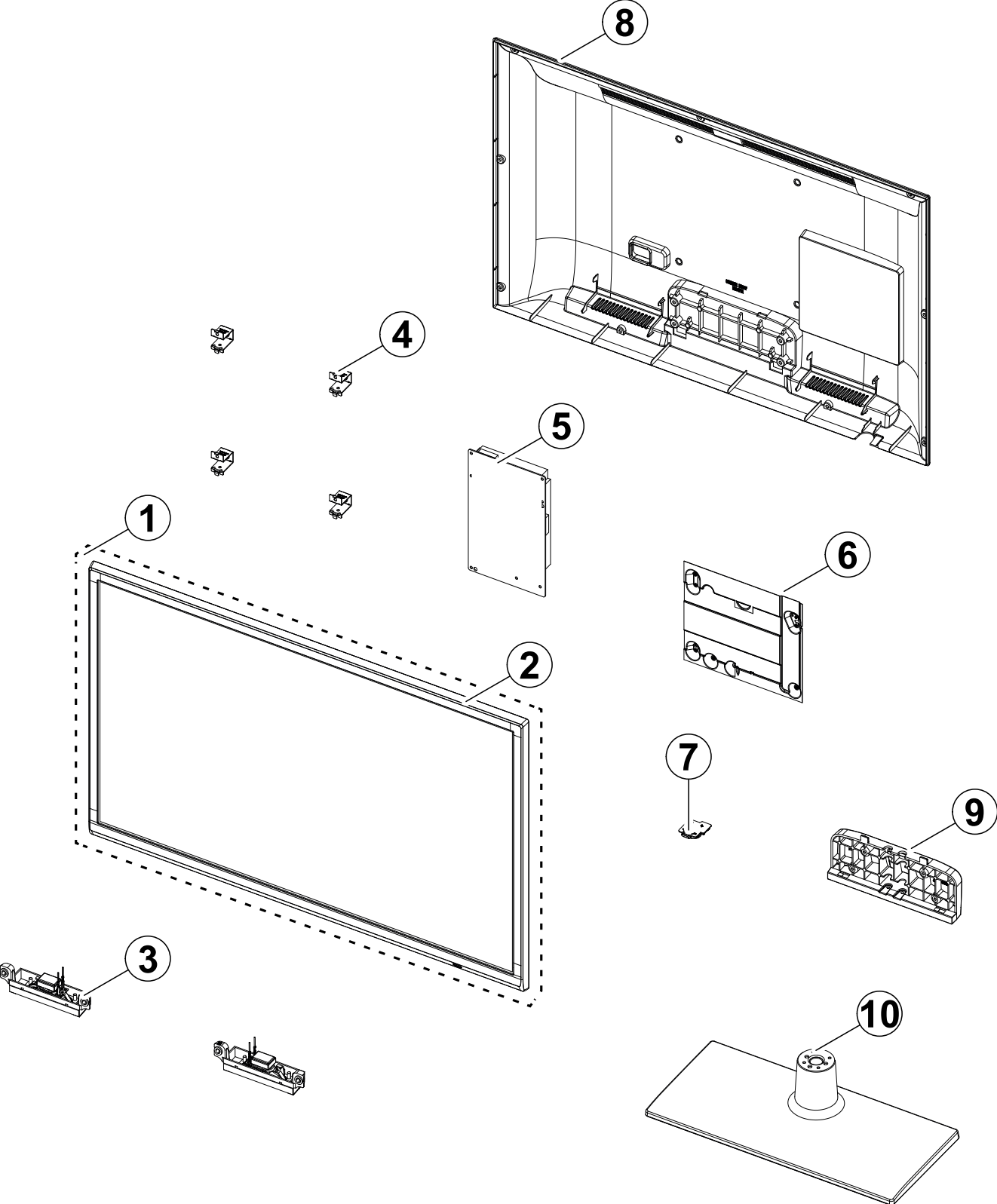


1. Exploded View & Part List

Exploded View



Parts List

No.	Lvl.	Loc.	Material Code	Description & Specification	SNA	Qty.
1	2	PANEL	BN95-00707A	PRODUCT LCD-BOE; 4k 32" LED,DE320AGE-V2,1	SA	1
2	3	TC01A	BN96-23640A	ASSY MISC P-CHASSIS TOP; Y12 F-LED, 32" B	SA	1
3	2	SP01A	BN96-23513A	ASSY SPEAKER P; 6ohm,4pin,5W,Low_LED 32"	SA	1
4	2	CB25A	BN96-24224A	ASSY BRACKET P-WALL; UE5000,40,EGI-SECC P	SA	4
5	2	P001A	BN44-00554A	DC VSS-LED TV PD BD; PD32GV0_CDY,PD32GV0_	SA	1
6	2	M0014	BN94-05848R	ASSY PCB MAIN; UE32EH4003WX*	SA	1
7	2		BN96-23845E	ASSY BOARD P-JOG SWITCH & IR; UE32EH4003,	SA	1
8	2	R001A	BN96-24186A	ASSY COVER P-REAR; UE4003,32,EO,HIPS,V0,B	SA	1
9	2	SG03	BN61-07940B	GUIDE-STAND; UE5000,32,EO,PC+G/F 20%,V2,B	SA	1
10	2	SB04A	BN96-21735B	ASSY STAND P-BASE; UE4000,32,EO,ABS+PC,V0	SA	1

2. Electrical Parts List

Level	Loc.	Part Code	Description & Specification	Qty.	SA/SNA
			UE32EH4003WXZG (ED01)		
1	S001A	BN90-03830C	ASSY STAND;UEH5000,32,EO	1	SNA
.2	SG03	BN61-07940B	GUIDE-STAND;UE5000,32,EO,PC+G/F 20%,V2,B	1	SA
..3		0103-007285	RESIN-PC;MW32020GFU,K032202GFV,BK0007,V2	97	SNA
.2	SB04A	BN96-21735B	ASSY STAND P-BASE;UE4000,32,EO,ABS+PC,V0	1	SA
..3	CCM1	BN63-02183D	COVER-SHEET;Rhcm,PE Vinyl,T0.05,680mm,20	1	SNA
..3		BN63-09094B	COVER-STAND_BASE;UE4000,32,EO,ABS+PC,V0,	1	SNA
...4		0103-005041	RESIN-PC;FR3200TV,901408,BK0008,1.2mm V-	420	SNA
..3		BN67-00306J	RUBBER-LEG;EH4000,RUBBER,5X7.5X13X13,GRA	7	SNA
1	R001A	BN90-04106A	ASSY COVER REAR;UE4003,32,EO	1	SNA
.2		6001-002755	SCREW-MACHINE;BH,+,M3,L6,ZPC(BLK),SWRCH1	4	SA
.2	SCREW	6003-001782	SCREW-TAPTYPE;BH,+,B,M4,L12,ZPC(BLK),SWR	10	SA
.2	R001A	BN96-24186A	ASSY COVER P-REAR;UE4003,32,EO,HIPS,V0,B	1	SA
..3		BN60-00162Y	SPACER-FOAM;FOAM,50000mm,Dark Gray,0.35T	1	SNA
..3	R001	BN63-09732A	COVER-REAR;UE4003,32,EO,HIPS,V0,BK0020	1	SNA
...4		0103-004637	RESIN-HIPS;VE-1897,K2901,BK0020,1.5 V-0,	700	SNA
1		BN91-06961G	ASSY SHIELD;UE32EH4003WX*	1	SNA
.2		6001-002756	SCREW-MACHINE;BH,+,M3,L6,ZPC(WHT),SWRCH1	14	SA
.2	EC13	BN39-01449C	LEAD CONNECTOR;LN40D550,Lead Connector,U	1	SA
.2	P001A	BN44-00554A	DC VSS-LED TV PD BD;PD32GV0_CDY,PD32GV0_	1	SA
.2		BN81-01805D	A/S-TAPE-FILAMENT;ELMATIT,T0.1,W30,L1200	0	SNA
.2	FL06	BN96-20370U	ASSY CABLE P-FFC;UE32ES4003,FFC,402mm,30	1	SA
.2	SP01A	BN96-23513A	ASSY SPEAKER P;6ohm,4pin,5W,Low_LED 32"	1	SA
.2		BN96-23845E	ASSY BOARD P-JOG SWITCH & IR;UE32EH4003,	1	SA
.2	CB25A	BN96-24224A	ASSY BRACKET P-WALL;UE5000,40,EGI-SECC P	4	SA
..3		BN60-00188E	SPACER-FOAM;LED,FELT,20,2.0,20,Center :	4	SNA
..3	CB20	BN61-07952A	BRACKET-WALL;UE5000 40",EGI-SECC PL,T1.2	4	SNA
1		BN91-09443A	ASSY LCM-BOE;BN95-00707A	1	SNA
.2	PANEL	BN95-00707A	PRODUCT LCD-BOE;4k 32" LED,DE320AGE-V2,1	1	SA
..3		BN02-00114A	TAPE ETC-COF;NNB 55",PET,0.07T,20,12,GRE	2	SNA
..3		BN68-02471A	LABEL-STICKER;WW,Art Paper,80,40,AV	1	SNA
..3		BN90-04053A	ASSY MISC-BLU;4K F-LED	1	SNA
...4		BN61-08057A	LGP-DIFFUSER PLATE;32" Diffuser Plate,P	1	SNA
...4		BN63-09220A	SHEET-REFLECTOR;32", HD, DLED, SY70 188	1	SNA
...4		BN63-09486A	SHEET-DIFFUSER;32inch DLED UTE24B-10E(8)	1	SNA
...4		BN63-09487A	SHEET-DIFFUSER;32inch DLED UTE24B-10B(0)	1	SNA
...4		BN96-22347G	ASSY MISC P-CHASSIS BOTTOM;F-LED 32" SLI	1	SNA
....5		BN02-00094A	TAPE PET;Y12 F-LED,MT-PFR,T 0.05,W30,L40	1	SNA

Exploded Views and Parts List

Level	Loc.	Part Code	Description & Specification	Qty.	SA/SNA
....5		BN02-00102B	TAPE FILAMENT;UE7000,#893,0.15,25,50,WHI	0	SNA
....5	EC13	BN39-01587A	LEAD CONNECTOR;32" Direct wire-harness,L	1	SNA
....5		BN61-08161A	HOLDER-LED-PCB;Direct-LED,PC,white	2	SNA
....6		0103-009493	RESIN-PC;LH-1070W,W92853,WT0107,V-2	2	SNA
....5		BN61-08312B	BRACKET-STAND-OFF;SUM24L,H7.5,B6(HEXA),H	1	SNA
....5		BN63-09500A	GASKET-EMI;Y12 Direct LED,Conductive Fab	2	SNA
....5	CC02	BN64-01895C	CHASSIS-BOTTOM;F-LED 32" SLIDE,EGI-SECC,	1	SNA
....5		BN96-21485A	ASSY MISC P-SUB PCB;32" Sub PCB,2pin*4ea	1	SNA
...4		BN96-23701A	ASSY FRAME P-MOLD MIDDLE U;Y12 F-LED 32"	1	SNA
....5		BN60-00163T	SPACER-FOAM;FOAM,50000mm,Dark Gray,0.35T	0	SNA
....5		BN60-00440A	SPACER-PANEL (UD);F-LED 32,MGT-30DG,L704	2	SNA
....5		BN60-00441A	SPACER-PANEL (LR);F-LED 32,MGT-30DG,L399	2	SNA
....5		BN60-00568A	SPACER-RUBBER;F-LED 32(BOE),SH-0140U+AT9	2	SNA
....5		BN61-08412A	FRAME-MOLD MIDDLE;F-LED 32" VE,PC+G/F10%	1	SNA
...4		BN96-24166A	ASSY MISC P-LED BAR;32" HD Direct BOE SI	4	SNA
...3		BN96-21905A	ASSY OPEN CELL;HV320WX2-261,0.51075(H)X0	1	SNA
...4		BN81-07787A	A/S PART-IC DRIVER SOURCE;IC DRIVER SOUR	1	SNA
...4		BN81-07788A	A/S PART-IC DRIVER GATE;IC DRIVER GATE,4	1	SNA
...4		BN81-07789A	A/S PART-SOURCE PCB'A;SOURCE PCB'A,44-97	1	SNA
...4		BN81-07790A	A/S PART-POLARIZER-C/F;POLARIZER-C/F,38-	1	SNA
...4		BN81-07791A	A/S PART-TCP-ACF;TCP-ACF,42-706007,ACF(T	1	SNA
...4		BN81-07792A	A/S PART-PCB-ACF;PCB-ACF,42-706012,ACF(A	1	SNA
...4		BN81-07793A	A/S PART-POLARIZER-TFT;POLARIZER-TFT,38-	1	SNA
...3	TC01A	BN96-23640A	ASSY MISC P-CHASSIS TOP;Y12 F-LED, 32" B	1	SA
...4		BN02-00112A	TAPE ETC-ALL;POLYESTER,L65.8M,T0.009,W10	0	SNA
...4		BN60-00163T	SPACER-FOAM;FOAM,50000mm,Dark Gray,0.35T	0	SNA
...4		BN60-00438A	SPACER-TOP (UD);Full-LED 32",FG200A,L720	2	SNA
...4		BN60-00439A	SPACER-TOP (LR);Full-LED 32",FG200A,L417	2	SNA
...4		BN60-00446A	SPACER-GASKET;Full-LED,FG200A,L25,t0.2,W	4	SNA
...4		BN63-07556N	COVER-SHEET;TOC,PO,T0.068,W40mm,100M,DAE	1	SNA
...4		BN63-07556X	COVER-SHEET;F-LED 3D VE,PO-SHEET,T0.068,	2	SNA
...4	AC157	BN64-02103A	CHASSIS-TOP;F-LED 32" VE,PC+ABS+G/F15%,B	1	SNA
....5		0103-009559	RESIN-PC;210GNH15,6919A,BK0007,PC ABS GF	350	SNA
1	M0017	BN91-09525R	ASSY CHASSIS;UE32EH4003WX*	1	SNA
..2	M0014	BN94-05848R	ASSY PCB MAIN;UE32EH4003WX*	1	SA
...3		BN97-05375J	ASSY SMD;UE32EH4003WX*,BN41-01897A	1	SNA
...4		0202-001477	SOLDER-CREAM;LST309-M,D20~45um,96.5Sn/3A	3	SNA
...4		0403-001785	DIODE-ZENER;NZH5V1B,4.94/5.2V,500mW,SOD-	1	SA
...4		0403-001797	DIODE-ZENER;NZH3V0B,2.85/3.15V,500mW,SOD	1	SNA
...4	D0254	0404-001404	DIODE-SCHOTTKY;BAT721C,40V,200mA,SOT-23,	1	SA

Level	Loc.	Part Code	Description & Specification	Qty.	SA/SNA
...4	SD3	0407-000114	DIODE-SWITCHING;KDS184,80V,100mA,SOT-23,	1	SNA
...4	KQ1	0501-000279	TR-SMALL SIGNAL;KSA1182-Y,PNP,150mW,SOT-	2	SA
...4	Q101	0501-000445	TR-SMALL SIGNAL;KTC3875S-Y,NPN,150mW,SOT	10	SC
...4	CEQ2	0505-000110	FET-SILICON;2N7002,N,60V,115mA,7.5ohm,0.	2	SA
...4	Q409	0505-002560	FET-SILICON;AO6415,P,-20V,-3.3A,0.15ohm,	1	SA
...4	IC104	0801-002630	IC-CMOS LOGIC;74AHCT1G08,2-INPUT AND GAT	1	SA
...4	ND51C2	0801-002780	IC-CMOS LOGIC;74LVC1G17,SCHMITT-TRIGGER	2	SA
...4	IC104	0801-003330	IC-CMOS LOGIC;Octal buffer,DQFN,20P,4.5x	2	SA
...4	IC104	0802-001012	IC-CMOS LOGIC;74LCX245,TRANSCEIVER,DQFN,	1	SNA
...4	IC112	1103-001310	IC-EEPROM;2Kbit,256x8,SOIC,8Z30,5x4mm,2.	1	SA
...4		1103-001531	IC-EEPROM;S-24C256CI-J8T1U4,256Kbit,32Kx	1	SA
...4		1105-002161	IC-DDR3 SDRAM;K4B2G1646C-HCH9,1333 DDR3	1	SNA
...4		1201-003333	IC-POWER AMP;NTP-7412S,MLF,48P,7x7mm,DUA	1	SA
...4		1203-004364	IC-VOL. DETECTOR;RT9818C-42PV,SOT-23,3P,	1	SA
...4		1203-006017	IC-VOL. DETECTOR;RT9824GJ8,TSOT23,8P,2.9	1	SA
...4	T0087	1203-006109	IC-POSIFIXED REG.;S-1206B33-M3T1G,SOT-2	1	SA
...4	T0087	1203-006130	IC-POSIFIXED REG.;S-1172B25-U5T1G,SOT-8	1	SA
...4	T0087	1203-006135	IC-POSIFIXED REG.;AP1117D-33-GZ-13-89,T	1	SA
...4	T0087	1203-006136	IC-POSIFIXED REG.;AP1117D-18-GZ-13-89,T	1	SA
...4	IC012	1203-006138	IC-POSILADJUST REG.;AP1117DGZ-13-89,TO-2	1	SA
...4		1203-006710	IC-DC/DC CONVERTER;RT8016L-GQW,WQFN,8P,1	2	SA
...4		1203-007080	IC-DC/DC CONVERTER;AOZ1051PI,SO-8,8P,4.9	2	SA
...4		1204-003369	IC-DECODER;LFBGA,585P,20.2x20.2mm,PLASTI	1	SA
...4		1405-001271	VARISTOR;35V,20Vdc,5A,1.0x0.5x0.6mm,TP,1	16	SA
...4	R105	2007-000138	R-CHIP;100ohm,5%,1/16W,TP,1005	30	SA
...4	AR49	2007-000140	R-CHIP;1Kohm,5%,1/16W,TP,1005	5	SNA
...4	AVR73	2007-000142	R-CHIP;2.7Kohm,5%,1/16W,TP,1005	3	SA
...4	R319	2007-000143	R-CHIP;4.7Kohm,5%,1/16W,TP,1005	50	SNA
...4	R104	2007-000148	R-CHIP;10Kohm,5%,1/16W,TP,1005	47	SA
...4	R102	2007-000149	R-CHIP;12Kohm,5%,1/16W,TP,1005	2	SA
...4	MR36	2007-000153	R-CHIP;22Kohm,5%,1/16W,TP,1005	4	SNA
...4	MR13	2007-000157	R-CHIP;47Kohm,5%,1/16W,TP,1005	8	SNA
...4	R123	2007-000159	R-CHIP;56Kohm,5%,1/16W,TP,1005	1	SNA
...4	DR39	2007-000162	R-CHIP;100Kohm,5%,1/16W,TP,1005	7	SNA
...4	MR16	2007-000168	R-CHIP;470Kohm,5%,1/16W,TP,1005	1	SA
...4	R509	2007-000170	R-CHIP;1Mohm,5%,1/16W,TP,1005	1	SNA
...4	R111	2007-000171	R-CHIP;0ohm,5%,1/16W,TP,1005	10	SNA
...4	HDR17	2007-000172	R-CHIP;10ohm,5%,1/16W,TP,1005	2	SNA
...4	R338	2007-000173	R-CHIP;22ohm,5%,1/16W,TP,1005	5	SNA
...4	VR8	2007-000256	R-CHIP;1.6Kohm,1%,1/10W,TP,1608	1	SA

Exploded Views and Parts List

Level	Loc.	Part Code	Description & Specification	Qty.	SA/SNA
...4	R809	2007-000475	R-CHIP;1Mohm,1%,1/10W,TP,1608	2	SA
...4	S0F0522	2007-000691	R-CHIP;3.3Mohm,5%,1/10W,TP,1608	1	SA
...4	R726	2007-000695	R-CHIP;3.3ohm,5%,1/10W,TP,1608	4	SNA
...4	R124	2007-000775	R-CHIP;33Kohm,5%,1/16W,TP,1005	3	SNA
...4	DR37	2007-000932	R-CHIP;470ohm,5%,1/16W,TP,1005	3	SNA
...4		2007-001285	R-CHIP;5.6ohm,5%,1/16W,TP,1005	2	SA
...4	OTR1	2007-001292	R-CHIP;33ohm,5%,1/16W,TP,1005	14	SNA
...4	DR43	2007-001298	R-CHIP;51ohm,5%,1/16W,TP,1005	4	SNA
...4	R16	2007-001313	R-CHIP;330ohm,5%,1/16W,TP,1005	2	SNA
...4	R326	2007-001325	R-CHIP;3.3Kohm,5%,1/16W,TP,1005	1	SNA
...4	MR316	2007-002796	R-CHIP;510ohm,5%,1/16W,TP,1005	2	SA
...4		2007-007008	R-CHIP;300ohm,5%,1/16W,TP,1005	1	SNA
...4	TR30	2007-007009	R-CHIP;75ohm,5%,1/16W,TP,1005	1	SNA
...4	HDR8	2007-007095	R-CHIP;390ohm,5%,1/16W,TP,1005	2	SA
...4	DR4	2007-007142	R-CHIP;10Kohm,1%,1/16W,TP,1005	3	SNA
...4		2007-007156	R-CHIP;1ohm,5%,1/16W,TP,1005	4	SNA
...4		2007-007306	R-CHIP;100ohm,1%,1/16W,TP,1005	1	SNA
...4		2007-007313	R-CHIP;6.8Kohm,1%,1/16W,TP,1005	2	SA
...4		2007-007315	R-CHIP;3.9Kohm,1%,1/16W,TP,1005	1	SNA
...4		2007-007317	R-CHIP;2.2Kohm,1%,1/16W,TP,1005	1	SA
...4		2007-007318	R-CHIP;1Kohm,1%,1/16W,TP,1005	15	SNA
...4		2007-007352	R-CHIP;130Kohm,1%,1/10W,TP,1608	2	SA
...4		2007-007463	R-CHIP;1.1Kohm,1%,1/16W,TP,1005	2	SA
...4		2007-007517	R-CHIP;240ohm,1%,1/16W,TP,1005	1	SNA
...4		2007-007617	R-CHIP;2.49Kohm,1%,1/10W,TP,1608	1	SA
...4		2007-007671	R-CHIP;11Kohm,1%,1/16W,TP,1005	2	SA
...4		2007-007697	R-CHIP;2.4Kohm,1%,1/16W,TP,1005	1	SNA
...4	MR11	2007-008015	R-CHIP;75ohm,1%,1/16W,TP,1005	7	SA
...4		2007-008275	R-CHIP;30Kohm,1%,1/16W,TP,1005	2	SNA
...4		2007-008309	R-CHIP;37.4ohm,1%,1/16W,TP,1005	1	SNA
...4		2007-008649	R-CHIP;220ohm,1%,1/16W,TP,1005	1	SNA
...4	ZRN10	2011-001261	R-NETWORK;33ohm,5%,1/16W,L,CHIP,8P,TP,2.	6	SA
...4	DAR09	2011-001262	R-NETWORK;22ohm,5%,1/16W,L,CHIP,8P,TP,2.	9	SA
...4	HRP2	2011-001344	R-NETWORK;100ohm,5%,1/16W,L,CHIP,8P,TP,2	3	SA
...4		2011-001427	R-NETWORK;0ohm,5%,1/16W,L,CHIP,8P,TP,2.0	4	SNA
...4		2011-001449	R-NETWORK;22ohm,5%,1/16W,L,4P,TP,1010	3	SA
...4	PC43	2203-000233	C-CER,CHIP;0.1nF,5%,50V,C0G,TP,1005	6	SA
...4	C254	2203-000438	C-CER,CHIP;1nF,10%,50V,X7R,TP,1005	5	SA
...4	C507	2203-000489	C-CER,CHIP;2.2nF,10%,50V,X7R,TP,1005	3	SA
...4	V1233	2203-000575	C-CER,CHIP;220nF,10%,25V,X7R,TP,2012	4	SNA

Level	Loc.	Part Code	Description & Specification	Qty.	SA/SNA
...4	AD480	2203-000714	C-CER,CHIP;3.3nF,10%,50V,X7R,TP,1005	6	SA
...4	DC25	2203-000812	C-CER,CHIP;0.033nF,5%,50V,C0G,TP,1005	2	SA
...4	AD480	2203-000995	C-CER,CHIP;0.047nF,5%,50V,C0G,TP,1005	3	SA
...4	AD480	2203-001412	C-CER,CHIP;0.03nF,5%,50V,NP0,TP,1005	3	SNA
...4	AD480	2203-002285	C-CER,CHIP;10nF,10%,50V,X7R,TP,1005	9	SNA
...4	AD480	2203-002525	C-CER,CHIP;0.56nF,10%,50V,X7R,TP,1005	2	SNA
...4	C151	2203-003039	C-CER,CHIP;0.008nF,0.25pF,50V,C0G,TP,100	2	SNA
...4	AD480	2203-005054	C-CER,CHIP;0.0047nF,0.25pF,50V,NP0,TP,10	2	SA
...4	AAC1	2203-005249	C-CER,CHIP;100nF,10%,50V,X7R,TP,1608	15	SNA
...4	DC9	2203-005481	C-CER,CHIP;47nF,10%,10V,X7R,TP,1005	1	SA
...4	VC37	2203-006048	C-CER,CHIP;100nF,10%,10V,X7R,TP,1005	99	SA
...4	AD480	2203-006126	C-CER,CHIP;47nF,10%,16V,X7R,TP,1005	1	SNA
...4	JC10	2203-006324	C-CER,CHIP;2200nF,10%,10V,X5R,TP,1608	3	SA
...4	C125	2203-006361	C-CER,CHIP;10000nF,10%,10V,X5R,TP,2012	2	SC
...4	AD480	2203-006427	C-CER,CHIP;4700nF,10%,16V,X5R,TP,2012	2	SA
...4	HE4	2203-006474	C-CER,CHIP;22000nF,20%,6.3V,X5R,TP,2012	10	SA
...4	HDC11	2203-006562	C-CER,CHIP;1000nF,10%,10V,X5R,TP,1005	9	SNA
...4	C23	2203-006890	C-CER,CHIP;10000nF,20%,6.3V,X5R,TP,1608	29	SA
...4	AD480	2203-006992	C-CER,CHIP;0.33nF,5%,50V,C0G,TP,1005	8	SNA
...4	AD480	2203-007176	C-CER,CHIP;10000nF,10%,16V,X5R,TP,2012,1	6	SNA
...4	AD480	2203-007513	C-CER,CHIP;10000nF,10%,10V,X5R,TP,1608,0	14	SA
...4	AD480	2203-007831	C-CER,CHIP;1000nF,10%,25V,X7R,TP,1608,0.	1	SA
...4	T0052	2703-000158	INDUCTOR-SMD;1uH,10%,2012,40ohm,50mA,45,	2	SA
...4	T0052	2703-001209	INDUCTOR-SMD;1.2uH,10%,1608,.8Ohm,25mA,3	3	SA
...4		2703-001938	INDUCTOR-SMD;56nH,5%,1005,1.5Ohm,200mA,1	2	SA
...4	T0052	2703-003149	INDUCTOR-SMD;2.2uH,20%,5050,0.055Ohm,300	2	SA
...4		2703-003343	INDUCTOR-SMD;2.2uH,20%,2520,0.104Ohm,130	2	SNA
...4		2703-003930	INDUCTOR-SMD;4.7uH,20%,5050,0.072Ohm,245	4	SA
...4	X202	2801-003773	CRYSTAL-SMD;12MHz,30ppm,28-AAN,20pF,50oh	1	SA
...4	T0568	3301-002039	BEAD-SMD;26ohm,1608,TP	40	SA
...4		3701-001784	CONNECTOR-HDMI;19P,2ROW,FEMALE,SMD-S,AU	2	SA
...4	AC510	3708-001150	CONNECTOR-FPC/FFC/PIC;30P,1mm,SMD-A,SN,Z	1	SA
...4		3709-001712	CONNECTOR-CARD SLOT;68P,1.27mm,ANGLE,AU,	1	SA
...4		3711-007585	CONNECTOR-HEADER;BOX,4P,1R,2.5mm,ANGLE-D	1	SA
...4		3711-007741	CONNECTOR-HEADER;BOX,14P,2R,2.0mm,ANGLE,	1	SA
...4	EH01	3711-008168	HEADER-BOARD TO CABLE;BOX,6P,1R,2.0mm,AN	1	SNA
...4		3719-001755	CONNECTOR-ACCESSORY;HOLDER-PCB,SPT 0.5	1	SA
...4		3722-003248	JACK-USB;4P/1C(W/L),NI/PD/AU/SN,BLK,STRA	1	SA
...4		3722-003408	JACK-SCART;21P,SN,BLK	1	SA
...4		3722-003439	JACK-PHONE;4P/1C,SN,BLK,STRAIGHT,3.5PI,1	1	SA

Exploded Views and Parts List

Level	Loc.	Part Code	Description & Specification	Qty.	SA/SNA
...4	ET01	BN40-00231B	TUNER;DTTX-51B/C3,DTTX-51B/C3,DVB-TC Hal	1	SA
...4		BN41-01897A	PCB MAIN;Novatek, UE5003, UE4003,FR-4,4,	1	SNA
...4		BN97-06823A	ASSY MICOM;T-NVTE4DEUS-XXXX,U74D,2012.03	1	SNA
....5		1107-002076	IC-NOR FLASH;W25Q40BVSSIP,4Mbit,SOP,8P,5	1	SNA
...4		BN97-06847A	ASSY MICOM;T-NVTE4DEUC-XXXX,U71G,2012.03	1	SNA
....5		1107-002049	IC-NAND FLASH;K9F1G08U0D-SCB0,1Gbit,128M	1	SNA
....5		BN46-00263A	S/W MICOM;T-NVTE4DEUC-XXXX,EU/AU/SH/MV/A	1	SNA
....5		BN46-00277D	S/W-E-MANUAL;NOVATEK,EU4,XC, XN, ZF, ZG,	1	SNA
...3		BN97-06867A	ASSY DRM-KEY NOVATEK;CI+KEY, HDCP	1	SNA
...4		BN46-00271A	KEY CODE-CERTIFI;CI+, TV,2012X,Euro	1	SNA
...3	T0066	BP62-00017A	HEAT SINK-ES;SP-50L2HX,A6063S,T2.0,26.2,	1	SNA
1		BN92-08072A	ASSY LABEL;UE4J, E4003	1	SNA
.2	T0527	BP68-00052B	LABEL-00,RATING;FPTV,PET,T0.05,93,73	1	SNA
1	ACCE1	BN92-10886P	ASSY ACCESSORY;UE32EH4003WXZG	1	SNA
.2		BN68-04028C	LABEL-STICKER;UE4J,EDC,PET,T0.05,60,120,	1	SNA
.2	ACCE2	BN96-18696B	ASSY ACCESSORY-CABLE;UE26EH4000WX*	1	SNA
...3	T0268	3903-000603	CBF-POWER CORD;DT,CEE,LP-21L,250V,2.5A,B	1	SA
...3	T0120	4301-000121	BATTERY-MN;1.5V,R03,10.5x44.5m,HOLDER,7.	2	SNA
...3	SCREW	6003-001782	SCREW-TAPTYPE;BH,+,B,M4,L12,ZPC(BLK),SWR	8	SA
...3	T0524	6902-000110	BAG PE;LDPE,T0.05,W250,L400,TRP,28,2,9.2	1	SNA
...3	T0524	6902-000341	BAG PE;LDPE,T0.05,L90,W70,TRP,,,PE MARK	1	SNA
...3	REMO2	AA59-00602A	REMOCON;TM1240,44,3V,Europe,E6000	1	SA
...3		BN96-15806B	ASSY HOLDER P-WIRE STAND;UE5500,NYLON,BL	1	SNA
...4		BN61-04731D	BOSS-TAPE;AMBER,ACRYL,T1.1,W20.0mm,WHITE	0	SNA
...4		BN61-05491C	HOLDER-WIRE STAND;UE5500,NYLON,BLK	1	SNA
.2	ACCE4	BN96-23123W	ASSY ACCESSORY-MANUAL;UE32EH4003WXZG	1	SNA
...3		6902-000476	BAG PE;LDPE,T0.03,W250,L350,TRP,Recycle,	1	SNA
...3		BN68-00514K	MANUAL FLYER-01,WARRANTY CARD;comm,Samsu	1	SNA
...3		BN68-03019A	LEAFLET-02,SAFETY GUIDE;ALL,SAMSUNG,28LE	1	SNA
...3		BN68-04027C	MANUAL FLYER-03,STAND GUIDE;U4000(32),SA	1	SNA
...3		BN68-04461D	MANUAL USERS-01;UEH4003,SAMSUNG,ENG/DEU/	1	SNA
...3		BN68-04524A	LEAFLET-5400_50"65";ALL,SAMSUNG,ENG,EURO	1	SNA
...3		BN68-04662A	LEAFLET-EU REGION;ALL,SAMSUNG,"ENG/FRA/S	1	SNA
1		BN92-10935D	ASSY BOX;UE4003,32,EO	1	SNA
.2		BH68-00662A	LABEL BOX-00;ALL MODEL,MOJO 90G,60,110,W	1	SNA
.2		BN69-07828D	BOX-SET;32UE4003,CB,A-01,SW2,YEL,W888,D1	1	SNA
1		BN92-10936A	ASSY P/MATERIAL;UE4003,32	1	SNA
.2		6902-001516	BAG ROLL;HDPE/HDPE/NITRON,T0.3,W650,L450	2	SNA
.2	M040	6922-000013	BAND PP;PP,W18,L2300/L2900,TRP	1	SNA
.2		BN01-00039A	FOIL-STRETCH-HOOD;LLDPE*,T0.08,W930,L140	0	SNA

Level	Loc.	Part Code	Description & Specification	Qty.	SA/SNA
.2		BN63-08890Z	COVER-SHEET NITRON;LE32D460,PE,T2.0,1300	1	SNA
.2		BN69-07732B	PALLET-WOODEN;UE32EH4000,WOOD,1270,900,1	1	SNA
.2		BN69-07757A	CUSHION-SET;32UE4003-SS,EPS	1	SNA
.2		BN69-08447A	PACKING INNER-PAD;COMM,CB,SW2,T3,W800,L1	1	SNA
.2		BN74-00008D	TAPE-OPP MASKING;OPP,T0.05,W75,L800M,CLR	2	SNA