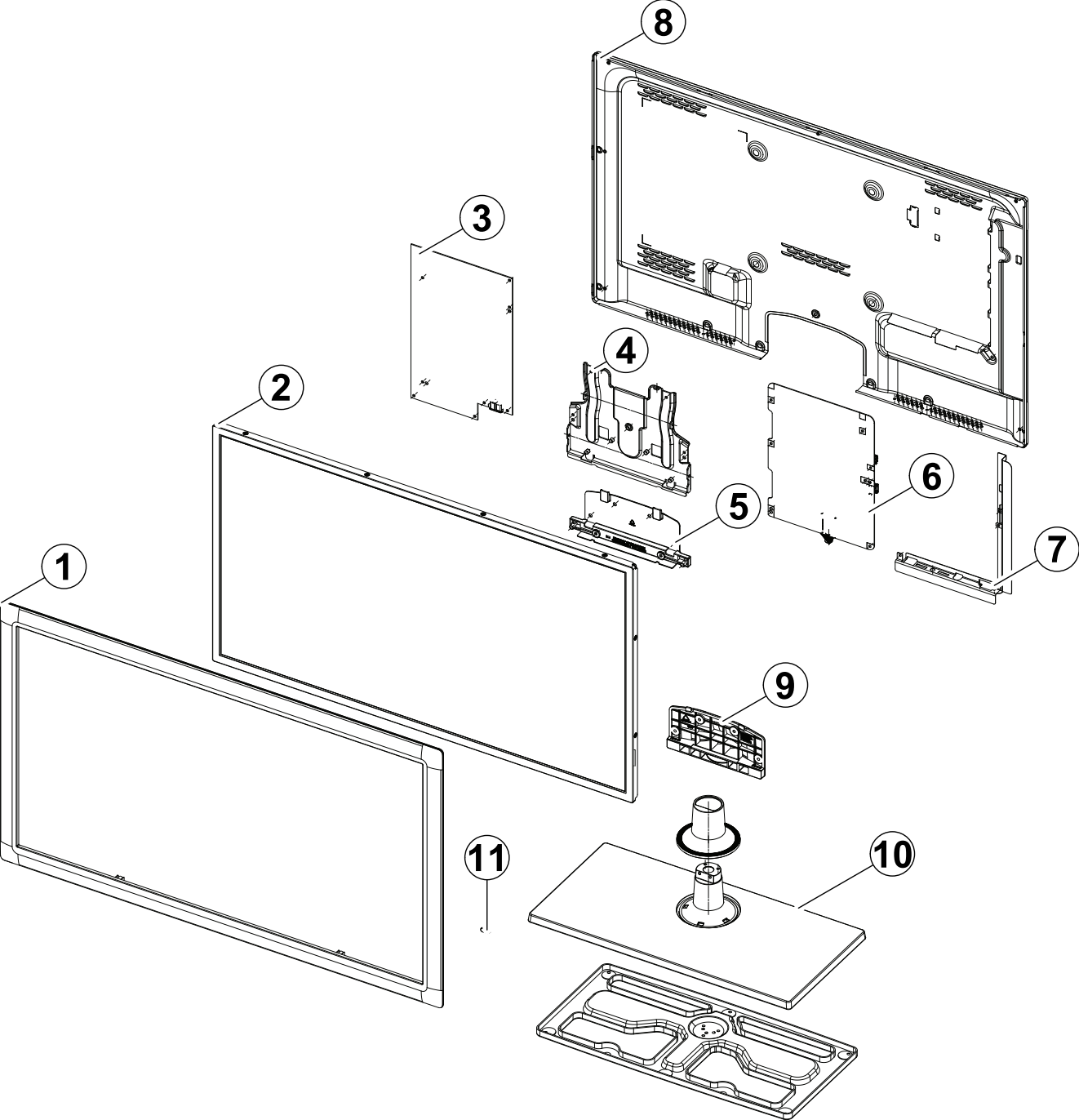


1. Exploded View & Part List

UE32D4000NW Exploded View



Parts List

| No. | Parent | Lvl. | Loc. | Material Code | Description & Specification | SNA | Qty. |
|-----|-------------|------|-------|---------------|--|-----|------|
| 1 | BN90-03261C | 2 | F001A | BN96-16746C | ASSY COVER P-FRONT; UD4000,32,EO,PC+PC,V2 | SA | 1 |
| 2 | BN91-07045A | 2 | PANEL | BN95-00437A | PRODUCT LCD; LTJ320AP01-V,1366*768 | SA | 1 |
| 3 | BN91-07045A | 2 | P001A | BN44-00421A | DC VSS-LED TV PD BD; PD32A0_BSM,PSLF800A0 | SA | 1 |
| 4 | BN96-16910A | 3 | CB18 | BN61-07068A | BRACKET-STAND LINK; UD6100 32",SECC,T1.6 | SNA | 1 |
| 5 | BN91-06480C | 2 | RB01 | BN63-07804C | COVER-BOTTOM; UD5000 32,NH HIPS,V1,BK0020 | SNA | 1 |
| 6 | BN91-06921W | 2 | M0014 | BN94-04635W | ASSY PCB MAIN; UE32D4000NWXXC | SA | 1 |
| 7 | BN94-04635W | 3 | CB01 | BN61-07083P | BRACKET-AV; UD4000,PCM,T0.45,BKN-P824,EUR | SNA | 1 |
| 8 | BN90-03287C | 2 | R001A | BN96-16750C | ASSY COVER P-REAR; UD4000,32,EO,PCM,T0.45 | SA | 1 |
| 9 | BN90-03283C | 2 | SG03A | BN96-16760B | ASSY STAND P-GUIDE; UD4000,32,PC+G/F 20%, | SA | 1 |
| 10 | BN90-03283C | 2 | SB04A | BN96-16757B | ASSY STAND P-BASE; UD4000,32,PC/ABS,V0,BK | SA | 1 |
| 11 | BN96-16746C | 3 | FW04 | BN64-01593A | WINDOW-REMOCON; UD4000,32,PC,V2,TP0002,VI | SNA | 1 |

2. Electrical Parts List

| Level | Loc. | Part Code | Description & Specification | Qty. | SA/SNA |
|-------|-------|-------------|--|------|--------|
| | | | UE32D4000NWXZF (H302) | | |
| 1 | | BN90-03261C | ASSY COVER FRONT;UD4000,32,EO | 1 | SNA |
| .2 | F001A | BN96-16746C | ASSY COVER P-FRONT;UD4000,32,EO,PC+PC,V2 | 1 | SA |
| ..3 | XT01 | 0201-001578 | ADHESIVE-HM;HM-555,WHT,4,000 Cps | 0 | SNA |
| ..3 | | BN60-00162Z | SPACER-FOAM;FOAM,50000mm,Dark Gray,0.35T | 2 | SNA |
| ..3 | CB11P | BN61-07248A | BRACKET-SUPPORT PCB;LD550,SK-5,T0.5,Plat | 2 | SA |
| ..3 | CCM1 | BN63-05199C | COVER-SHEET;AMBER,PE,T0.08,W55mm,200M,CL | 3 | SNA |
| ..3 | F001 | BN63-07728C | COVER-FRONT;UD4000,32,EO,PC+PC,V2,TP0010 | 1 | SNA |
| ..4 | | 0103-007268 | RESIN-PC;TP0010,2.0V0,NH PC,NH PC 2.0 V2 | 340 | SNA |
| ..4 | | 0103-007642 | RESIN-PC;NH3022S,3259B,GY0166,2.0V0,NH P | 220 | SNA |
| ..3 | FW04 | BN64-01593A | WINDOW-REMOCON;UD4000,32,PC,V2,TP0002,VI | 1 | SNA |
| ..4 | | 0103-005035 | RESIN-PC;V2,PC | 1 | SNA |
| ..3 | | BN74-00052A | TAPE-PAPER;LB530,Crepe Paper,0.17mm, 10m | 0 | SNA |
| ..3 | FB21A | BN96-17614J | ASSY BOARD P-TOUCH FUNCTION & IR;UN32D4000 | 1 | SA |
| 1 | S001A | BN90-03283C | ASSY STAND;UD4000,32,EO,BLACK,W/W | 1 | SNA |
| .2 | SB04A | BN96-16757B | ASSY STAND P-BASE;UD4000,32,PC/ABS,V0,BK | 1 | SA |
| ..3 | M0081 | 6003-001239 | SCREW-TAPTYPE;FH,+,B,M4,L10,ZPC(WHT),SWR | 6 | SA |
| ..3 | SCREW | 6003-001782 | SCREW-TAPTYPE;BH,+,B,M4,L12,ZPC(BLK),SWR | 3 | SA |
| ..3 | | BN61-03707B | BRACKET-STAND BOTTOM;BRACKET-STAND-BOTTO | 1 | SNA |
| ..3 | CCM1 | BN63-02183D | COVER-SHEET;RhcM,PE Vinyl,T0.05,680mm,20 | 1 | SNA |
| ..3 | | BN63-07731B | COVER-NECK;UD4000,32,ABS+PC,V1,NC0001,Cr | 1 | SNA |
| ..4 | | 0103-007438 | RESIN-PC ABS;QP-1010/NP,NC0001,UL94,V-1, | 38 | SNA |
| ..3 | SC05 | BN63-07734B | COVER-STAND;UD4000,32,ABS+PC,V0,BK0008 | 1 | SNA |
| ..4 | | 0103-005041 | RESIN-PC;V0,PC+ABS | 520 | SNA |
| ..3 | M0019 | BN73-00052C | RUBBER-FOOT;LCD TV,CR RUBBER,T2.0 DIA19, | 6 | SNA |
| .2 | SG03A | BN96-16760B | ASSY STAND P-GUIDE;UD4000,32,PC+G/F 20%, | 1 | SA |
| ..3 | T0524 | 6902-000675 | BAG PE;LDPE,T0.05,W200,L250,TRP,28,3 PE | 1 | SNA |
| ..3 | SG03 | BN61-07137A | GUIDE-STAND;UD4000,32,PC+G/F,20%,V2,BK00 | 1 | SNA |
| ..4 | | 0103-007285 | RESIN-PC;MW32020GFU,BK0007,2.0 V2,PC/GF2 | 140 | SNA |
| ..4 | | BN68-00513D | LABEL-RESIN;resin,-,art paper,-,10,25,-, | 1 | SNA |
| ..3 | | BN68-03407C | MANUAL FLYER-03,STAND GUIDE;U4000(32),SA | 1 | SNA |
| ..3 | | BN96-18013E | ASSY ACCESSORY-SCREW;6003-001782,4EA,ALL | 1 | SNA |
| ..4 | SCREW | 6003-001782 | SCREW-TAPTYPE;BH,+,B,M4,L12,ZPC(BLK),SWR | 4 | SA |
| ..4 | | BN69-05418B | PACKING-BAG SCREW;BN96-18013E,-,GREEN,T0 | 1 | SNA |
| ..3 | | BN96-18013F | ASSY ACCESSORY-SCREW;6001-002621,4EA,ALL | 1 | SNA |
| ..4 | | 6001-002621 | SCREW-MACHINE;BH,+,M4,L8,ZPC(BLK),SWRCH1 | 4 | SA |
| ..4 | | BN69-05418C | PACKING-BAG SCREW;BN96-18013F,-,RED,T0,0 | 1 | SNA |
| 1 | R001A | BN90-03287C | ASSY COVER REAR;UD4000,32,EO | 1 | SNA |

Exploded Views and Parts List

| Level | Loc. | Part Code | Description & Specification | Qty. | SA/SNA |
|-------|-------|-------------|--|------|--------|
| .2 | | 6001-002671 | SCREW-MACHINE;BH,+,M3,L6,ZPC(BLK),SWRCH1 | 4 | SA |
| .2 | R001A | BN96-16750C | ASSY COVER P-REAR;UD4000,32,EO,PCM,T0.45 | 1 | SA |
| ...3 | | BN60-00162Y | SPACER-FOAM;FOAM,50000mm,Dark Gray,0.35T | 1 | SNA |
| ...3 | R001 | BN63-07748B | COVER-REAR;UD6100 32,EO,PCM,T0.45,BKN-P8 | 1 | SNA |
| ...3 | | BN63-08087B | SHEET-INSULATOR;UD6050,PC SHEET,T0.43,19 | 1 | SNA |
| ...3 | | BN68-00513E | LABEL-AMS;ams,-,art paper,-,10,38,-,whit | 1 | SNA |
| ...3 | | BN68-03320A | LABEL-TERMINAL SIDE;UD4000,UO,PET,T0.05 | 1 | SNA |
| ...3 | | BN68-03321B | LABEL-TERMINAL BOTTOM;UD4000,32,EO,PET,T | 1 | SNA |
| ...3 | | BN68-03518A | LABEL-STICKER;WW,ALL,70.6,72,LABEL-CI | 1 | SNA |
| .2 | T0382 | BP61-00495C | HOLDER-CARE;PJT,ACRYL-FOAM,T0.25,W30.0mm | 0 | SNA |
| 1 | | BN91-06480C | ASSY SHIELD;UE22D4000NWXRU | 1 | SNA |
| .2 | CIS1 | 0203-001586 | TAPE-FILAMENT;#893,0.15,30,55,WHT,FILAME | 0 | SNA |
| .2 | SCREW | 6003-001782 | SCREW-TAPTYPE;BH,+,B,M4,L12,ZPC(BLK),SWR | 2 | SA |
| .2 | EC13 | BN39-01455D | LEAD CONNECTOR;UE32D5000,Flat Connector | 1 | SA |
| .2 | RB01 | BN63-07804C | COVER-BOTTOM;UD5000 32,NH HIPS,V1,BK0020 | 1 | SNA |
| ...3 | | 0103-007489 | RESIN-HIPS;FT875,BK,BK0020,V1,HIPS | 45 | SNA |
| ...3 | | BN68-00513D | LABEL-RESIN;resin,-,art paper,-,10,25,-, | 1 | SNA |
| .2 | FL06 | BN96-13227P | ASSY CABLE P-FFC;UE32D4000,FFC,385mm,30p | 1 | SA |
| .2 | SP01A | BN96-16799A | ASSY SPEAKER P;6ohm,4pin,10W,Enclosure t | 1 | SA |
| .2 | SB05A | BN96-16910A | ASSY BRACKET P-STAND LINK;UD5000 32,SECC | 1 | SNA |
| ...3 | | BN60-00162G | SPACER-FOAM;FOAM,50000mm,Dark Gray,0.5T, | 0 | SNA |
| ...3 | | BN61-02932L | BRACKET-STOPPER NUT;LED TV,M3*L7.5*D5.5, | 1 | SNA |
| ...3 | | BN61-02932M | BRACKET-STOPPER NUT;LED TV D6500,M4*D6*L | 4 | SNA |
| ...3 | CB18 | BN61-07068A | BRACKET-STAND LINK;UD6100 32",SECC,T1.6 | 1 | SNA |
| 1 | M0017 | BN91-06921W | ASSY CHASSIS;UE32D4000NWXXC | 1 | SNA |
| .2 | M0014 | BN94-04635W | ASSY PCB MAIN;UE32D4000NWXXC | 1 | SA |
| ...3 | | 0202-001608 | SOLDER-WIRE FLUX;LFC7-107,D0.8,99.3Sn/0. | 0 | SNA |
| ...3 | CIS1 | 0203-001586 | TAPE-FILAMENT;#893,0.15,30,55,WHT,FILAME | 0 | SNA |
| ...3 | HDP01 | BN61-06644A | HOLDER-PCB;LC750,NYNOL66,V0 | 1 | SA |
| ...3 | CB01 | BN61-07083P | BRACKET-AV;UD4000,PCM,T0.45,BKN-P824,EUR | 1 | SNA |
| ...3 | | BN62-00094B | HEAT SINK-CERAMIC;30*30*2.6,Ceramic,T2.6 | 1 | SNA |
| ...3 | | BN97-00688A | ASSY HDCP;BN46-00018A,PS-42V6S,D73A,GENE | 1 | SNA |
| ...4 | | BN46-00018A | KEY CODE-CERTIFICATE;(HDCP KEY)PPM42M5S, | 1 | SNA |
| ...3 | | BN97-05203S | ASSY SMD;UE22D5010NWXXH,BN94-04356X | 1 | SNA |
| ...4 | | 0202-001477 | SOLDER-CREAM;LST309-M,D20~45um,96.5Sn/3A | 2 | SNA |
| ...4 | DS01A | 0401-001056 | DIODE-SWITCHING;MMBD4148SE,100V,200mA,SO | 3 | SA |
| ...4 | | 0403-001180 | DIODE-ZENER;BZX84C6V2,5.8-6.6V,350mW,SOT | 1 | SA |
| ...4 | | 0403-001783 | DIODE-ZENER;BZB84-C6V2,5.8/6.6V,300mW,SO | 5 | SNA |
| ...4 | | 0403-001785 | DIODE-ZENER;NZH5V1B,4.94/5.2V,500mW,SOD- | 1 | SA |
| ...4 | | 0403-001797 | DIODE-ZENER;NZH3V0B,2.85/3.15V,500mW,SOD | 1 | SNA |

| Level | Loc. | Part Code | Description & Specification | Qty. | SA/SNA |
|-------|--------|-------------|--|------|--------|
| ...4 | D0254 | 0404-001404 | DIODE-SCHOTTKY;BAT721C,40V,200mA,SOT-23, | 3 | SA |
| ...4 | T0139 | 0406-001200 | DIODE-TVS;RCLAMP0504F,6/-V,150W,SC-70 | 1 | SA |
| ...4 | SD3 | 0407-000114 | DIODE-SWITCHING;KDS184,80V,100mA,SOT-23, | 1 | SNA |
| ...4 | KQ1 | 0501-000279 | TR-SMALL SIGNAL;KSA1182-Y,PNP,150mW,SOT- | 1 | SA |
| ...4 | Q101 | 0501-000445 | TR-SMALL SIGNAL;KTC3875S-Y,NPN,150mW,SOT | 10 | SC |
| ...4 | CEQ2 | 0505-000110 | FET-SILICON;2N7002,N,60V,115mA,7.5ohm,0. | 4 | SA |
| ...4 | Q409 | 0505-002572 | FET-SILICON;AO4801AL,P,-30V,-5.6A,0.075o | 1 | SA |
| ...4 | IC104 | 0801-002630 | IC-CMOS LOGIC;74AHCT1G08,2-INPUT AND GAT | 1 | SA |
| ...4 | ND51C2 | 0801-002780 | IC-CMOS LOGIC;74LVC1G17,SCHMITT-TRIGGER | 1 | SA |
| ...4 | IC104 | 0801-003330 | IC-CMOS LOGIC;Octal buffer,DQFN,20P,4.5x | 2 | SA |
| ...4 | IC104 | 0802-001012 | IC-CMOS LOGIC;74LCX245,TRANSCEIVER,DQFN, | 1 | SNA |
| ...4 | IC112 | 1103-001310 | IC-EEPROM;24LC02B,256X8BIT,SOIC,8P,3.91X | 6 | SNA |
| ...4 | | 1103-001487 | IC-EEPROM;AT24C256C-SSHL-T,256Kbit,32Kx8 | 1 | SA |
| ...4 | | 1105-002194 | IC-DDR3 SDRAM;K4B1G1646G-BCH9,DDR3 SDRAM | 2 | SA |
| ...4 | | 1201-003153 | IC-POWER AMP;NTP-7411S,MLF,48P,7x7mm,DUA | 1 | SA |
| ...4 | | 1201-003183 | IC-AUDIO AMP;DRV612,HTSSOP,14P,5x4.4mm,D | 1 | SA |
| ...4 | T0087 | 1203-001815 | IC-POSIFIXED REG.;78M09,TO-252,3P,PLAST | 1 | SA |
| ...4 | T0087 | 1203-002835 | IC-POSIFIXED REG.;7805,3P,6.6x6.1mm,PLA | 1 | SA |
| ...4 | T0087 | 1203-002898 | IC-POSIFIXED REG.;G950T45R,TO-252,3P,6. | 1 | SA |
| ...4 | | 1203-004364 | IC-VOL. DETECTOR;RT9818C-42PV,SOT-23,3P, | 1 | SA |
| ...4 | | 1203-006017 | IC-VOL. DETECTOR;RT9824GJ8,TSOT23,8P,2.9 | 1 | SA |
| ...4 | IC012 | 1203-006138 | IC-POSIAJUST REG.;AP1117DGZ-13-89,TO-2 | 1 | SA |
| ...4 | | 1203-006142 | IC-DC/DC CONVERTER;BD8924G,5P,2.9x1.6x1. | 1 | SA |
| ...4 | | 1203-006337 | IC-POSIFIXED REG.;G9091-330T11U,SOT-23- | 1 | SA |
| ...4 | | 1203-006619 | IC-DC/DC CONVERTER;AOZ1033AI,SO-8,8P,4.9 | 1 | SA |
| ...4 | | 1203-006684 | IC-DC/DC CONVERTER;TPS54327DDAR,HSOP8,8P | 1 | SNA |
| ...4 | | 1204-003240 | IC-DECODER;SEMS20-LF,HSBGA,572P,20x20mm, | 1 | SNA |
| ...4 | | 1205-003201 | IC-BUS SWITCH;TC7WB125FK,SSOP,8P,2x2.3mm | 1 | SA |
| ...4 | | 1205-003479 | IC-SWITCH;TPS2051BDBVR,SOT-23,5P,2.9x1.6 | 1 | SA |
| ...4 | | 1205-003733 | IC-SWITCH;AP2191MPG-13,MSOP-8L-EP,8P,2.9 | 1 | SA |
| ...4 | | 1405-001271 | VARISTOR;20Vdc,5A,1.0x0.5x0.6mm,TP | 8 | SA |
| ...4 | MR604 | 2007-000137 | R-CHIP;2Kohm,5%,1/16W,TP,1005 | 8 | SNA |
| ...4 | R105 | 2007-000138 | R-CHIP;100ohm,5%,1/16W,TP,1005 | 28 | SA |
| ...4 | AR49 | 2007-000140 | R-CHIP;1Kohm,5%,1/16W,TP,1005 | 2 | SNA |
| ...4 | MR306 | 2007-000141 | R-CHIP;2.2Kohm,5%,1/16W,TP,1005 | 2 | SNA |
| ...4 | AVR73 | 2007-000142 | R-CHIP;2.7Kohm,5%,1/16W,TP,1005 | 1 | SNA |
| ...4 | R319 | 2007-000143 | R-CHIP;4.7Kohm,5%,1/16W,TP,1005 | 42 | SNA |
| ...4 | R104 | 2007-000148 | R-CHIP;10Kohm,5%,1/16W,TP,1005 | 50 | SA |
| ...4 | MR36 | 2007-000153 | R-CHIP;22Kohm,5%,1/16W,TP,1005 | 6 | SNA |
| ...4 | AR43 | 2007-000155 | R-CHIP;27Kohm,5%,1/16W,TP,1005 | 1 | SNA |

Exploded Views and Parts List

| Level | Loc. | Part Code | Description & Specification | Qty. | SA/SNA |
|-------|---------|-------------|--|------|--------|
| ...4 | RZ07 | 2007-000156 | R-CHIP;30Kohm,5%,1/16W,TP,1005 | 3 | SA |
| ...4 | MR13 | 2007-000157 | R-CHIP;47Kohm,5%,1/16W,TP,1005 | 11 | SNA |
| ...4 | | 2007-000160 | R-CHIP;68Kohm,5%,1/16W,TP,1005 | 2 | SA |
| ...4 | DR39 | 2007-000162 | R-CHIP;100Kohm,5%,1/16W,TP,1005 | 5 | SNA |
| ...4 | MR16 | 2007-000168 | R-CHIP;470Kohm,5%,1/16W,TP,1005 | 1 | SNA |
| ...4 | R509 | 2007-000170 | R-CHIP;1Mohm,5%,1/16W,TP,1005 | 1 | SNA |
| ...4 | R111 | 2007-000171 | R-CHIP;0ohm,5%,1/16W,TP,1005 | 2 | SNA |
| ...4 | HDR17 | 2007-000172 | R-CHIP;10ohm,5%,1/16W,TP,1005 | 4 | SNA |
| ...4 | R338 | 2007-000173 | R-CHIP;22ohm,5%,1/16W,TP,1005 | 10 | SNA |
| ...4 | UR23 | 2007-000174 | R-CHIP;47ohm,5%,1/16W,TP,1005 | 2 | SNA |
| ...4 | MR17 | 2007-000566 | R-CHIP;220Kohm,5%,1/16W,TP,1005 | 1 | SNA |
| ...4 | R726 | 2007-000695 | R-CHIP;3.3ohm,5%,1/10W,TP,1608 | 4 | SNA |
| ...4 | R124 | 2007-000775 | R-CHIP;33Kohm,5%,1/16W,TP,1005 | 2 | SNA |
| ...4 | R2007 | 2007-000803 | R-CHIP;36Kohm,1%,1/10W,TP,1608 | 1 | SA |
| ...4 | S1G0843 | 2007-001125 | R-CHIP;68Kohm,1%,1/10W,TP,1608 | 1 | SA |
| ...4 | | 2007-001168 | R-CHIP;75ohm,5%,1/4W,TP,3216 | 2 | SA |
| ...4 | | 2007-001285 | R-CHIP;5.6ohm,5%,1/16W,TP,1005 | 2 | SA |
| ...4 | OTR1 | 2007-001292 | R-CHIP;33ohm,5%,1/16W,TP,1005 | 21 | SNA |
| ...4 | DR43 | 2007-001298 | R-CHIP;51ohm,5%,1/16W,TP,1005 | 2 | SNA |
| ...4 | DR1 | 2007-001301 | R-CHIP;68ohm,5%,1/16W,TP,1005 | 10 | SA |
| ...4 | R16 | 2007-001313 | R-CHIP;330ohm,5%,1/16W,TP,1005 | 2 | SNA |
| ...4 | R326 | 2007-001325 | R-CHIP;3.3Kohm,5%,1/16W,TP,1005 | 1 | SNA |
| ...4 | | 2007-001333 | R-CHIP;18Kohm,5%,1/16W,TP,1005 | 6 | SNA |
| ...4 | PR24 | 2007-002970 | R-CHIP;56ohm,5%,1/16W,TP,1005 | 4 | SA |
| ...4 | HDR8 | 2007-007095 | R-CHIP;390ohm,5%,1/16W,TP,1005 | 1 | SA |
| ...4 | | 2007-007138 | R-CHIP;27Kohm,1%,1/16W,TP,1005 | 1 | SNA |
| ...4 | DR4 | 2007-007142 | R-CHIP;10Kohm,1%,1/16W,TP,1005 | 1 | SNA |
| ...4 | | 2007-007156 | R-CHIP;1ohm,5%,1/16W,TP,1005 | 12 | SNA |
| ...4 | | 2007-007311 | R-CHIP;22Kohm,1%,1/16W,TP,1005 | 1 | SA |
| ...4 | | 2007-007318 | R-CHIP;1Kohm,1%,1/16W,TP,1005 | 24 | SNA |
| ...4 | | 2007-007463 | R-CHIP;1.1Kohm,1%,1/16W,TP,1005 | 1 | SA |
| ...4 | | 2007-007517 | R-CHIP;240ohm,1%,1/16W,TP,1005 | 2 | SNA |
| ...4 | | 2007-007698 | R-CHIP;5.1Kohm,1%,1/16W,TP,1005 | 2 | SNA |
| ...4 | | 2007-007766 | R-CHIP;2Kohm,1%,1/16W,TP,1005 | 2 | SNA |
| ...4 | MR11 | 2007-008015 | R-CHIP;75ohm,1%,1/16W,TP,1005 | 11 | SNA |
| ...4 | | 2007-008649 | R-CHIP;220ohm,1%,1/16W,TP,1005 | 1 | SNA |
| ...4 | DRP29 | 2011-000515 | R-NETWORK;4.7Kohm,5%,1/16W,L,CHIP,8P,TP, | 1 | SA |
| ...4 | ZRN10 | 2011-001261 | R-NETWORK;33ohm,5%,1/16W,L,CHIP,8P,TP,2. | 6 | SA |
| ...4 | DAR09 | 2011-001262 | R-NETWORK;22ohm,5%,1/16W,L,CHIP,8P,TP,2. | 31 | SA |
| ...4 | | 2011-001264 | R-NETWORK;10ohm,5%,1/16W,L,CHIP,8P,TP,2. | 8 | SNA |

| Level | Loc. | Part Code | Description & Specification | Qty. | SA/SNA |
|-------|-------|-------------|--|------|--------|
| ...4 | HRP2 | 2011-001344 | R-NETWORK;100ohm,5%,1/16W,L,CHIP,8P,TP,2 | 2 | SA |
| ...4 | | 2011-001449 | R-NETWORK;22ohm,5%,1/16W,L,4P,TP,1010 | 6 | SA |
| ...4 | | 2011-001587 | R-NETWORK;100ohm,5%,1/16W,L,CHIP-V,4P,TP | 1 | SNA |
| ...4 | PC43 | 2203-000233 | C-CER,CHIP;0.1nF,5%,50V,C0G,TP,1005 | 7 | SA |
| ...4 | MC9 | 2203-000359 | C-CER,CHIP;0.15nF,5%,50V,C0G,TP,1005,0.5 | 1 | SNA |
| ...4 | DC1 | 2203-000386 | C-CER,CHIP;0.015nF,5%,50V,C0G,TP,1005 | 2 | SA |
| ...4 | C254 | 2203-000438 | C-CER,CHIP;1nF,10%,50V,X7R,TP,1005 | 11 | SA |
| ...4 | C507 | 2203-000489 | C-CER,CHIP;2.2nF,10%,50V,X7R,TP,1005 | 5 | SA |
| ...4 | AD480 | 2203-000530 | C-CER,CHIP;2.7nF,10%,50V,X7R,TP,1005,- | 1 | SNA |
| ...4 | V1233 | 2203-000575 | C-CER,CHIP;220nF,10%,25V,X7R,TP,2012 | 2 | SNA |
| ...4 | AD480 | 2203-000714 | C-CER,CHIP;3.3nF,10%,50V,X7R,TP,1005,- | 6 | SA |
| ...4 | DC25 | 2203-000812 | C-CER,CHIP;0.033nF,5%,50V,C0G,TP,1005 | 3 | SA |
| ...4 | AD480 | 2203-000995 | C-CER,CHIP;0.047nF,5%,50V,C0G,TP,1005 | 2 | SA |
| ...4 | AD480 | 2203-001412 | C-CER,CHIP;0.03nF,5%,50V,NP0,1005 | 5 | SNA |
| ...4 | AD480 | 2203-001428 | C-CER,CHIP;470nF,10%,50V,X7R,TP,2012 | 2 | SNA |
| ...4 | AD480 | 2203-002285 | C-CER,CHIP;10nF,10%,50V,X7R,TP,1005 | 10 | SNA |
| ...4 | AD480 | 2203-002525 | C-CER,CHIP;0.56nF,10%,50V,X7R,TP,1005 | 6 | SNA |
| ...4 | AC2 | 2203-002711 | C-CER,CHIP;100nF,10%,25V,X7R,TP,1608 | 1 | SA |
| ...4 | AAC1 | 2203-005249 | C-CER,CHIP;100nF,10%,50V,X7R,TP,1608 | 10 | SNA |
| ...4 | AD480 | 2203-005344 | C-CER,CHIP;22nF,10%,25V,X7R,TP,1005,0.5T | 1 | SNA |
| ...4 | AD480 | 2203-005393 | C-CER,CHIP;0.005nF,0.1pF,50V,NP0,TP,1005 | 1 | SNA |
| ...4 | VC37 | 2203-006048 | C-CER,CHIP;100nF,10%,10V,X7R,TP,1005 | 102 | SA |
| ...4 | AD480 | 2203-006126 | C-CER,CHIP;47nF,10%,16V,X7R,TP,1005 | 21 | SNA |
| ...4 | JC10 | 2203-006324 | C-CER,CHIP;2200nF,10%,10V,X5R,1608 | 8 | SA |
| ...4 | AD480 | 2203-006336 | C-CER,CHIP;10000nF,10%,25V,X5R,TP,3216 | 1 | SA |
| ...4 | C802 | 2203-006348 | C-CER,CHIP;1000nF,10%,25V,X5R,TP,1608 | 1 | SA |
| ...4 | C125 | 2203-006361 | C-CER,CHIP;10000nF,10%,10V,X5R,TP,2012 | 19 | SC |
| ...4 | C234 | 2203-006378 | C-CER,CHIP;4700nF,10%,6.3V,X5R,TP,1608 | 1 | SNA |
| ...4 | HE4 | 2203-006474 | C-CER,CHIP;22000nF,20%,6.3V,X5R,2012 | 10 | SA |
| ...4 | HDC11 | 2203-006562 | C-CER,CHIP;1000nF,10%,10V,X5R,TP,1005 | 15 | SNA |
| ...4 | AD480 | 2203-006824 | C-CER,CHIP;4700nF,10%,10V,X5R,1608 | 1 | SNA |
| ...4 | C23 | 2203-006890 | C-CER,CHIP;10000nF,20%,6.3V,X5R,1608 | 19 | SNA |
| ...4 | AD480 | 2203-006992 | C-CER,CHIP;0.33nF,5%,50V,C0G,TP,1005 | 2 | SNA |
| ...4 | AD480 | 2203-007176 | C-CER,CHIP;10000nF,10%,16V,X5R,TP,2012 | 4 | SNA |
| ...4 | AD480 | 2203-007230 | C-CER,CHIP;47000nF,20%,6.3V,X5R,TP,2012, | 2 | SA |
| ...4 | T0052 | 2703-000158 | INDUCTOR-SMD;1uH,10%,2012 | 2 | SA |
| ...4 | T0052 | 2703-002238 | INDUCTOR-SMD;1UH,5%,2012 | 2 | SNA |
| ...4 | T0052 | 2703-003149 | INDUCTOR-SMD;2.2uH,20%,5050 | 1 | SA |
| ...4 | | 2703-003407 | INDUCTOR-SMD;120nH,5%,1608 | 1 | SA |
| ...4 | T0052 | 2703-003790 | INDUCTOR-SMD;4.7uH,20%,8080 | 1 | SA |

Exploded Views and Parts List

| Level | Loc. | Part Code | Description & Specification | Qty. | SA/SNA |
|-------|--------|-------------|--|--------|--------|
| ...4 | | 2703-003890 | INDUCTOR-SMD;47uH,10%,3225 | 1 | SC |
| ...4 | | 2703-003930 | INDUCTOR-SMD;4.7uH,20%,5050 | 4 | SA |
| ...4 | X202 | 2801-003326 | CRYSTAL-SMD;24MHz,30ppm,28-ABX,20pF,50oh | 1 | SA |
| ...4 | X202 | 2801-003948 | CRYSTAL-SMD;12MHz,30ppm,28-AAN,12pF,60oh | 1 | SA |
| ...4 | F103 | 2901-001506 | FILTER-EMI SMD;5V,0.13A,0pF,2x1x0.5mm,TP | 2 | SA |
| ...4 | DR32 | 3301-000314 | BEAD-SMD;120ohm,1.6x0.8x0.8mm,-,-,- | 7 | SNA |
| ...4 | T0568 | 3301-001526 | BEAD-SMD;10ohm,1.6x0.8x0.8mm,1000mA,TP,, | 3 | SNA |
| ...4 | T0568 | 3301-002039 | BEAD-SMD;26ohm,1608,TP | 34 | SA |
| ...4 | CN401 | 3701-001724 | CONNECTOR-DSUB;15P,3ROW,FEMALE,ANGLE,NI | 1 | SA |
| ...4 | CN601 | 3701-001736 | CONNECTOR-HDMI;19P,2ROW,FEMALE,SMD-A | 4 | SA |
| ...4 | CN303 | 3707-001104 | CONNECTOR-OPTICAL;SMD-A(Ultra Slim),SPDI | 1 | SA |
| ...4 | AC510 | 3708-001150 | CONNECTOR-FPC/FFC/PIC;30P,1mm,SMD-A,SN,Y | 1 | SA |
| ...4 | | 3710-002276 | SOCKET-INTERFACE;24P,1R,0.5mm,SMD-A,AU,B | 1 | SC |
| ...4 | | 3710-003374 | CONNECTOR-SOCKET;64P,2R,0.5mm,ANGLE,NI+S | 1 | SA |
| ...4 | HB01A | 3711-005601 | HEADER-BOARD TO CABLE;BOX,8P,1R,2mm,SMD- | 1 | SA |
| ...4 | HB01A | 3711-007319 | HEADER-BOARD TO CABLE;SMD,4P,1R,2.50mm,S | 1 | SA |
| ...4 | | 3711-007569 | CONNECTOR-HEADER;BOX,14P,2R,2.0mm,DIP,SN | 1 | SA |
| ...4 | CN1501 | 3722-003044 | JACK-USB;4P/1C,NI,BLK,SMD-A,A-TYPE | 1 | SA |
| ...4 | CN302 | 3722-003158 | JACK-PHONE;1/6P,NI,BLK,ANGLE | 2 | SA |
| ...4 | CN501 | 3722-003207 | JACK-PHONE;2P/9C,AU,LIMEGRN,SMD-A(DIP) | 1 | SA |
| ...4 | ET01 | BN40-00221A | TUNER;DTM-8B/W125S,DTM-8B/W125S,DVB-T Ha | 1 | SA |
| ...4 | | BN41-01661A | PCB MAIN;X5 DVB,FR-4,4,1.2T,192*214 | 1 | SNA |
| ...4 | | BN97-05303A | ASSY MICOM;SubMicomEU_XXXX,U66A,61P805,0 | 1 | SNA |
|5 | | 0903-001718 | IC-MICROCONTROLLER;61P805-RG480WT,LQFP,4 | 1 | SNA |
| ...4 | | BN97-05329A | ASSY MICOM;T-MST4DEUC-XXXX,U57A,2010.11. | 1 | SNA |
|5 | | 1107-001990 | IC-NAND FLASH;KFG1GN6W2D-HIB6,1Gbit,64Mx | 1 | SA |
|5 | | BN46-00042E | S/W-E-MANUAL;UD4000 UD5000,DVB EU4,XC XN | 1 | SNA |
|5 | | BN46-00060A | S/W MICOM;T-MST4DEUC,EU,Eng/Swe/Dan/Nor/ | 1 | SNA |
| ...3 | | BN97-05365A | ASSY DRM-CI PLUS;BN46-00063A,UN4D X5,X6, | 1 | SNA |
| ...4 | | BN46-00063A | KEY CODE-CI PLUS;X5/X6,TCTC,SERIAL CODIN | 1 | SNA |
| 1 | | BN91-07045A | ASSY LCM-AMLCD VD;BN95-00437A,BN44-004,5 | 1 | SNA |
| .2 | M-P | 6001-002653 | SCREW-MACHINE;BH,+,M3,L6,ZPC(WHT),SWRCH1 | 5 | SA |
| .2 | P001A | BN44-00421A | DC VSS-LED TV PD BD;PD32A0_BSM,PSLF800A0 | 1 | SA |
| .2 | PANEL | BN95-00437A | PRODUCT LCD;LTJ320AP01-V,1366*768 | 60HZ,L | 1 |
| ...3 | | 6001-002673 | SCREW-MACHINE;CH,+,M3.0,L4.0,Ni PLT,SWRC | 16 | SNA |
| ...3 | | BN68-02471A | LABEL-STICKER;WW,Art Paper,80,40,AV | 1 | SNA |
| ...3 | | BN74-00053A | TAPE-PROTECTION;T460BE1-FB,T550BE1-FB,3M | 3 | SNA |
| ...3 | | BN90-03099A | ASSY MISC-BLU;LTJ320AP01-V,4K 32" LCD | 1 | SNA |
| ...4 | | 6001-002672 | SCREW-MACHINE;FH,+,M1.7,L4.0,Ni PLT,SWRC | 6 | SNA |
| ...4 | | 6001-002673 | SCREW-MACHINE;CH,+,M3.0,L4.0,Ni PLT,SWRC | 4 | SNA |

| Level | Loc. | Part Code | Description & Specification | Qty. | SA/SNA |
|-------|------|-------------|--|------|--------|
| ...4 | | BN02-00043A | TAPE ETC-SHEET;NNB 32/40/46/55,3M 3357 F | 5 | SNA |
| ...4 | | BN63-08055A | SHEET-PROTECTOR;32" 4K5K6K, JS153HH,220u | 1 | SNA |
| ...4 | | BN63-08056A | SHEET-PRISM H;32" 4K5K6K, MAS670F-A (3ti | 1 | SNA |
| ...4 | | BN63-08057A | SHEET-DIFFUSER;32" 4K, PTR883,290um,703. | 1 | SNA |
| ...4 | | BN63-08079A | SHEET-REFLECTOR;32" 6.5K, RL813K,,340um, | 1 | SNA |
| ...4 | | BN64-01635A | CHASSIS-BOTTOM BAR (LR);NNB 32",AL 6063, | 1 | SNA |
| ...4 | | BN96-16597A | ASSY MISC P-LED BAR L;32" 4K Left,G/D , | 1 | SNA |
| ...4 | | BN96-16624A | ASSY MISC P-LGP LED;32" 4K, PMMA,3T ,709 | 1 | SNA |
|5 | | BN61-07268A | LGP-LED;32" 4K, PMMA,3T ,709.8 X 404.4 | 1 | SNA |
|5 | | BN74-00159A | TAPE-REFLECTOR LGP;32" 4K,E60L,403.4(H) | 1 | SNA |
| ...4 | | BN96-16669A | ASSY MISC P-CHASSIS BOTTOM;NNB 32" 4/5K | 1 | SNA |
|5 | | 6001-002617 | SCREW-MACHINE;CH,+,M3,L4,Ni_PLT (White), | 8 | SNA |
|5 | | 6001-002673 | SCREW-MACHINE;CH,+,M3.0,L4.0,Ni PLT,SWRC | 12 | SNA |
|5 | | BN02-00028A | TAPE DOUBLE FACE-REFLECTOR;NNB 32/40/46/ | 1 | SNA |
|5 | | BN02-00031A | TAPE FILAMENT-WIRE;NNB 32/40/46/55,3M891 | 2 | SNA |
|5 | | BN02-00032A | TAPE DOUBLE FACE-HOLDER LGP;NNB 32/40/46 | 2 | SNA |
|5 | | BN02-00041A | TAPE ETC-HEAT-SINK;NNB 32/40/46/55,MTU 1 | 4 | SNA |
|5 | EC13 | BN39-01418A | LEAD CONNECTOR;32" 4K 5K LCD wire-harnes | 1 | SNA |
|5 | | BN61-07328A | HOLDER-LGP B;NNB 32/37/40/46/55,SILICONE | 1 | SNA |
|5 | | BN61-07329A | HOLDER-WIRE;NNB 32/37/40/46/55,SILICON R | 1 | SNA |
|5 | | BN61-07388A | HOLDER-LGP C;NNB 32/37/40/46/55,PC,6.2,1 | 2 | SNA |
|5 | | BN61-07389A | HOLDER-LGP D;NNB 46/55,SILICONE-RUBBER,7 | 1 | SNA |
|5 | | BN61-07424A | BRACKET-WALL MOUNT;NNB 32/40/46/55,SPCC, | 4 | SNA |
|5 | | BN62-00161A | INSULATION-FFC;NNB 32/40/46/55,PET,T0.1, | 1 | SNA |
|5 | | BN62-00162A | INSULATION-POWER;NNB 32",DFR117ECO430 + | 1 | SNA |
|5 | | BN62-00170A | INSULATION-SOURCE;NNB 32" LCD-TYPE,PET, | 1 | SNA |
|5 | CC02 | BN64-01632A | CHASSIS-BOTTOM;NNB 32",LCD-TYPE AL3104,T | 1 | SNA |
|5 | | BN64-01634A | CHASSIS-BOTTOM BAR (U);NNB 32",AL 6063,T | 1 | SNA |
|5 | | BN64-01635A | CHASSIS-BOTTOM BAR (LR);NNB 32",AL 6063, | 1 | SNA |
|5 | | BN74-00061A | TAPE-BOTTOM CHASSIS;NNB 32/40/46/55,SK-2 | 1 | SNA |
| ...4 | | BN96-16674A | ASSY FRAME P-MOLD MIDDLE;NNB 32" LCD-TY | 1 | SNA |
|5 | | BN02-00040A | TAPE DOUBLE FACE-MIDDLE;NNB 32/40/46/55, | 2 | SNA |
|5 | | BN60-00303A | SPACER-PANEL (U);NNB 32",SI(SH0140U)+AT | 2 | SNA |
|5 | | BN60-00304A | SPACER-PANEL (LR);NNB 32",SI(SH0140U)+A | 2 | SNA |
|5 | | BN60-00314A | SPACER-PAD (UD);NNB 32",SSP40 + MKT-50D | 2 | SNA |
|5 | | BN60-00315B | SPACER-PAD (LR);NNB 32",SSP40 + MKT-50D | 2 | SNA |
|5 | | BN60-00324A | SPACER-PG (U);NNB 32" LCD-HD,SI(SH0140U | 2 | SNA |
|5 | | BN60-00325A | SPACER-PG (LR);NNB 32" LCD-HD,SI(SH0140 | 4 | SNA |
|5 | | BN60-00344A | SPACER-PANEL (D);NNB 32",SI(SH0140U)+AT | 1 | SNA |
|5 | | BN61-07223A | FRAME-MOLD MIDDLE-U;NNB 32",PC+G/F 10%,T | 1 | SNA |

Exploded Views and Parts List

| Level | Loc. | Part Code | Description & Specification | Qty. | SA/SNA |
|-------|-------|-------------|--|------|--------|
| ...3 | | BN96-16455A | ASSY OPEN CELL;LSJ320AP01-V,8bit,32inch, | 1 | SNA |
| ...3 | | BN96-16665A | ASSY MISC P-CHASSIS TOP;NNB 32" 4/5/6K | 1 | SNA |
| ...4 | | BN60-00294A | SPACER-TOP (UD);NNB 32",E-FOAM+DSS703AD | 2 | SNA |
| ...4 | | BN60-00295A | SPACER-TOP (LR);NNB 32",E-FOAM+DSS703AD | 2 | SNA |
| ...4 | AC157 | BN64-01631A | CHASSIS-TOP;NNB 32",SECC,T0.8,W422.8,L72 | 1 | SNA |
| ...3 | | BN96-16667B | ASSY COVER P-SOURCE;NNB 4K 32",BN63-0803 | 1 | SNA |
| ...4 | | BN60-00162Y | SPACER-FOAM;FOAM,50000mm,Dark Gray,0.35T | 1 | SNA |
| ...4 | | BN60-00302A | SPACER-SOURCE;NNB 32" 4K,SI(SH0140U)+AT | 2 | SNA |
| ...4 | | BN61-02932N | BRACKET-STOPPER NUT;LED TV,M3*D7*L6.6,L6 | 6 | SNA |
| ...4 | | BN62-00151A | INSULATION-COVER HD;NNB 32" 4K,PET,T0.1 | 1 | SNA |
| ...4 | | BN63-08032A | COVER-SOURCE;NNB 32",SECC,T0.8,W52,L701. | 1 | SNA |
| 1 | | BN92-07857C | ASSY BOX;UD4000,32,EO | 1 | SNA |
| .2 | | BH68-00662A | LABEL BOX-00;ALL MODEL,MOJO 90G,60,110,W | 1 | SNA |
| .2 | | BN69-06024D | BOX-SET;32UD4000,CB,A-01,SW2,YEL,W972,D1 | 1 | SNA |
| 1 | | BN92-07861A | ASSY P/MATERIAL;UD4000,32 | 1 | SNA |
| .2 | | 6902-000379 | BAG AIR;LDPE,T0.2,W1000,L1800,TRP,1260.0 | 1 | SNA |
| .2 | M040 | 6922-000003 | BAND PP;PP,T0.8,W18,L1650M,TRP,DA69-9014 | 1 | SNA |
| .2 | | BN68-02422B | LABEL-WARNING SHIPPING;ALL MODEL,A/P 100 | 1 | SNA |
| .2 | | BN69-00257W | PACKING-SHEET PALLET;PACKING SHEET PALLE | 1 | SNA |
| .2 | | BN69-03982F | PAD PACKING-EDGE;LB6T,PAPER,6,120,2160,- | 1 | SNA |
| .2 | | BN69-05181M | PALLET;PALLET,WOOD,1170,990,135,18000,4- | 1 | SNA |
| .2 | | BN69-05418A | PACKING-BAG WRAPPING;-LDPE,-,0,019,500, | 1 | SNA |
| .2 | | BN69-05654A | CUSHION-SET;UD4000 32,EPS | 1 | SNA |
| .2 | | BN69-06640A | PACKING-PAD;PAD,PAPER,-,-,CB-SW4,1120,95 | 1 | SNA |
| .2 | | BN69-06682A | PACKING-BAG SHEET ROLL;-,-,CB,-,FOAM 0,5mm | 2 | SNA |
| .2 | | BN74-00008D | TAPE-OPP MASKING;OPP,T0.05,W75,L800M,CLR | 2 | SNA |
| 1 | | BN92-07911Q | ASSY LABEL;UE32D4000NWXXC | 1 | SNA |
| .2 | | BN68-03664W | LABEL-STICKER;UD4N,T0.05,60,120,Energy R | 1 | SNA |
| .2 | T0527 | BP68-00052B | LABEL-00,RATING;CCTV,TETRON PAPER,T0.05, | 1 | SNA |
| 1 | ACCE1 | BN92-08141X | ASSY ACCESSORY;UE32D4000NWXXF | 1 | SNA |
| .2 | ACCE2 | BN96-18158Z | ASSY ACCESSORY-CABEL;UE32D4000NWX* | 1 | SNA |
| ...3 | | 3709-001663 | CONNECTOR-CARD EDGE;64P,0.5mm,MALE,PCMC1 | 1 | SA |
| ...3 | EC11 | 3903-000525 | CBF-POWER CORD;DT,CEE,LP-21L,250V,2.5A,B | 1 | SA |
| ...3 | T0120 | 4301-000121 | BATTERY-MN;1.5V,R03,10.5x44.5m,HOLDER,7. | 2 | SNA |
| ...3 | | 6902-001340 | BAG PE;LDPE,T0.05,W250,L350,TRP,RECYCLE | 1 | SNA |
| ...3 | REMO2 | AA59-00465A | REMOCON;TM1050,49,3V,EUROPE iDTV,5000,40 | 1 | SA |
| ...3 | M0114 | BN39-01154F | CBF SIGNAL;UE40B7000WWXXC,24P/20P,30AWG, | 1 | SA |
| ...3 | EC03 | BN39-01154W | CBF SIGNAL;COMPONENT GENDER / UD8000,2P, | 1 | SA |
| ...3 | | BN61-05491A | HOLDER-WIRE STAND;UB7000 46inch,NYRON | 1 | SNA |
| ...3 | M9889 | BN63-01798B | CLOTH-CLEAN;cloth,180,200,sea blue,ToC | 1 | SNA |

| Level | Loc. | Part Code | Description & Specification | Qty. | SA/SNA |
|-------|-------|-------------|--|------|--------|
| ..3 | EH03A | BN96-18153A | ASSY HOLDER P-RING;11 LED-TV | 1 | SNA |
| ...4 | | 6902-001404 | BAG ZIPPER;LDPE,T0.05,W80,L100,TRP | 1 | SNA |
| ...4 | AH365 | BN61-07295A | HOLDER-RING;40UD5500,ABS,BK0007,HB | 4 | SNA |
| .2 | ACCE4 | BN96-18690J | ASSY ACCESSORY-MANUAL;UE32D4000NWXZF | 1 | SNA |
| ..3 | | 6902-000476 | BAG PE;LDPE,T0.03,W250,L350,TRP,Recycle, | 1 | SNA |
| ..3 | T0527 | BN68-00513A | LABEL-E,PASS;ALL MODEL,YUPO(110G),50X15, | 1 | SNA |
| ..3 | | BN68-00514K | MANUAL FLYER-WARRANTY CARD;comm,Samsung, | 1 | SNA |
| ..3 | | BN68-03019A | LEAFLET-SAFETY GUIDE;ALL,SAMSUNG,28LENGS | 1 | SNA |
| ..3 | | BN68-03426E | MANUAL USERS;D4000,SAMSUNG,Eng/Fre/Ger/D | 1 | SNA |