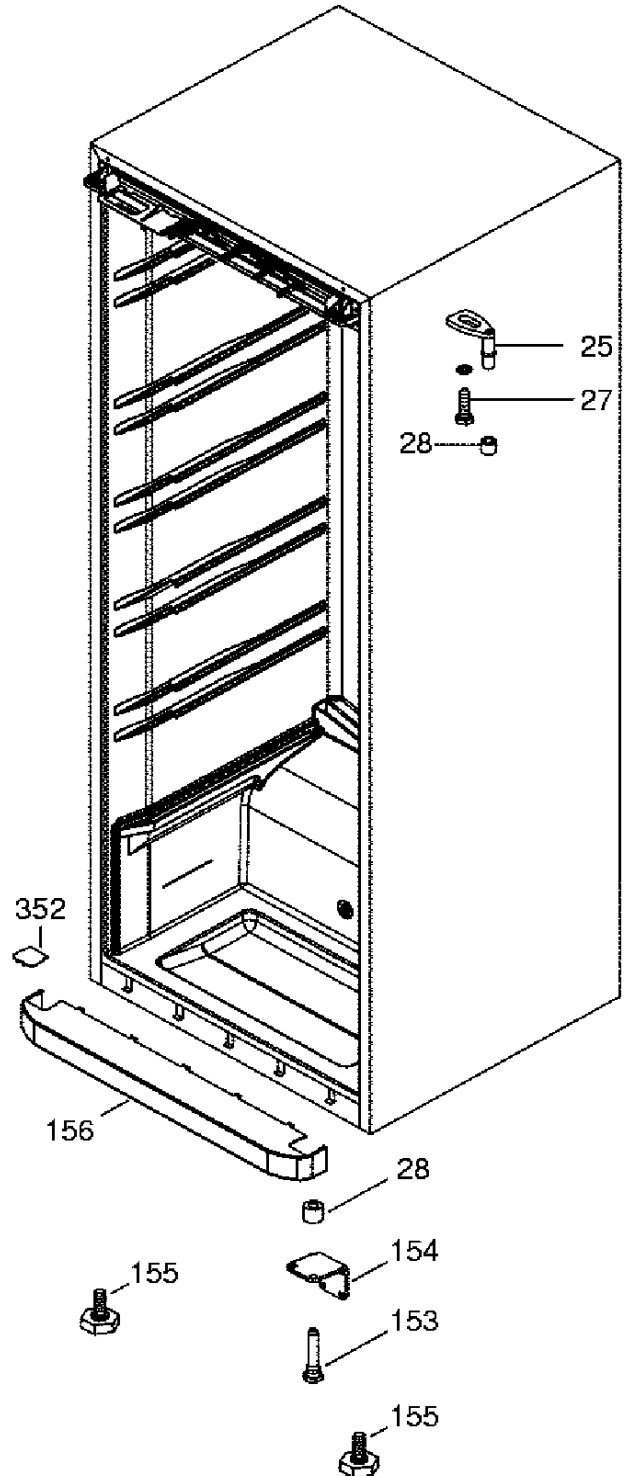
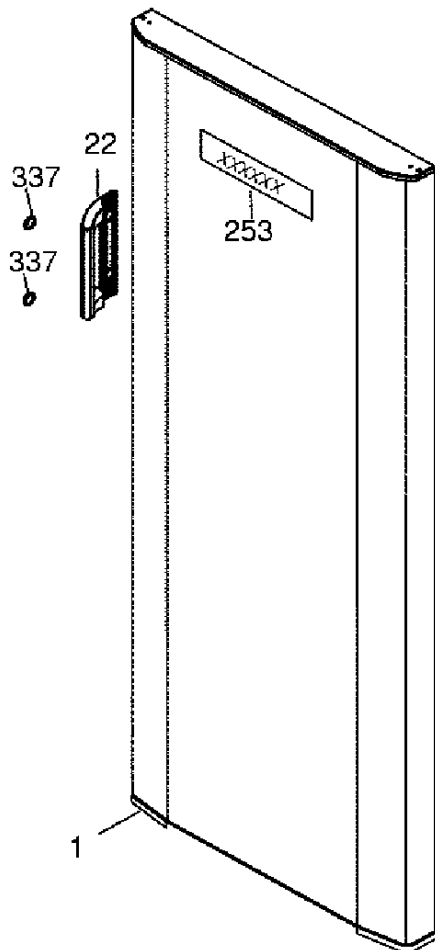
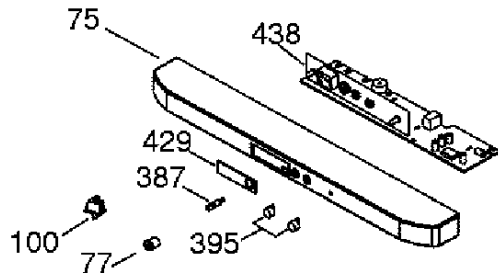
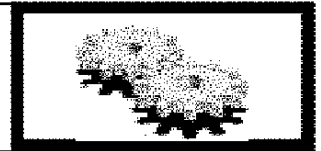


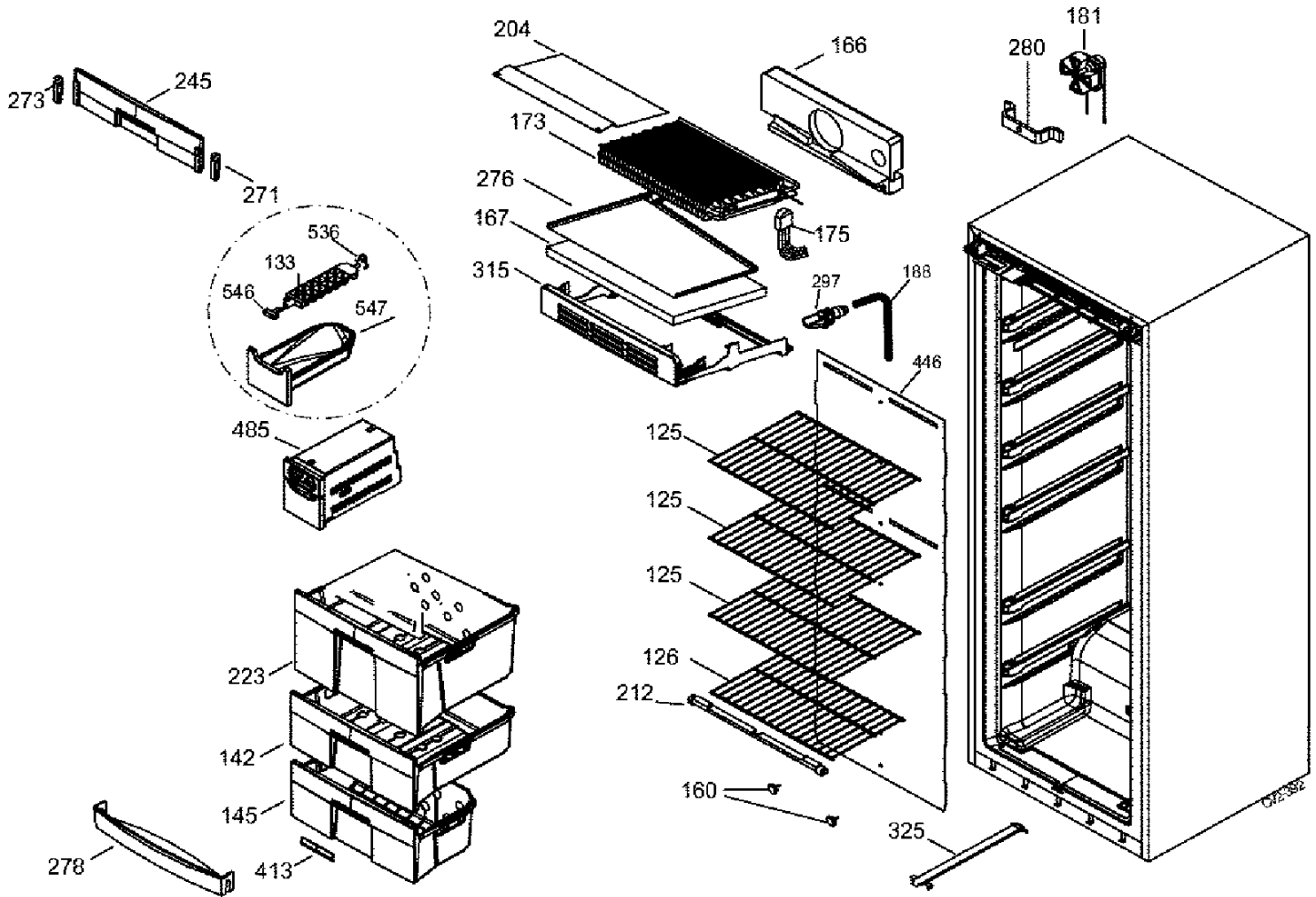
UDN2220
UDN2220/1
5R75S00B5

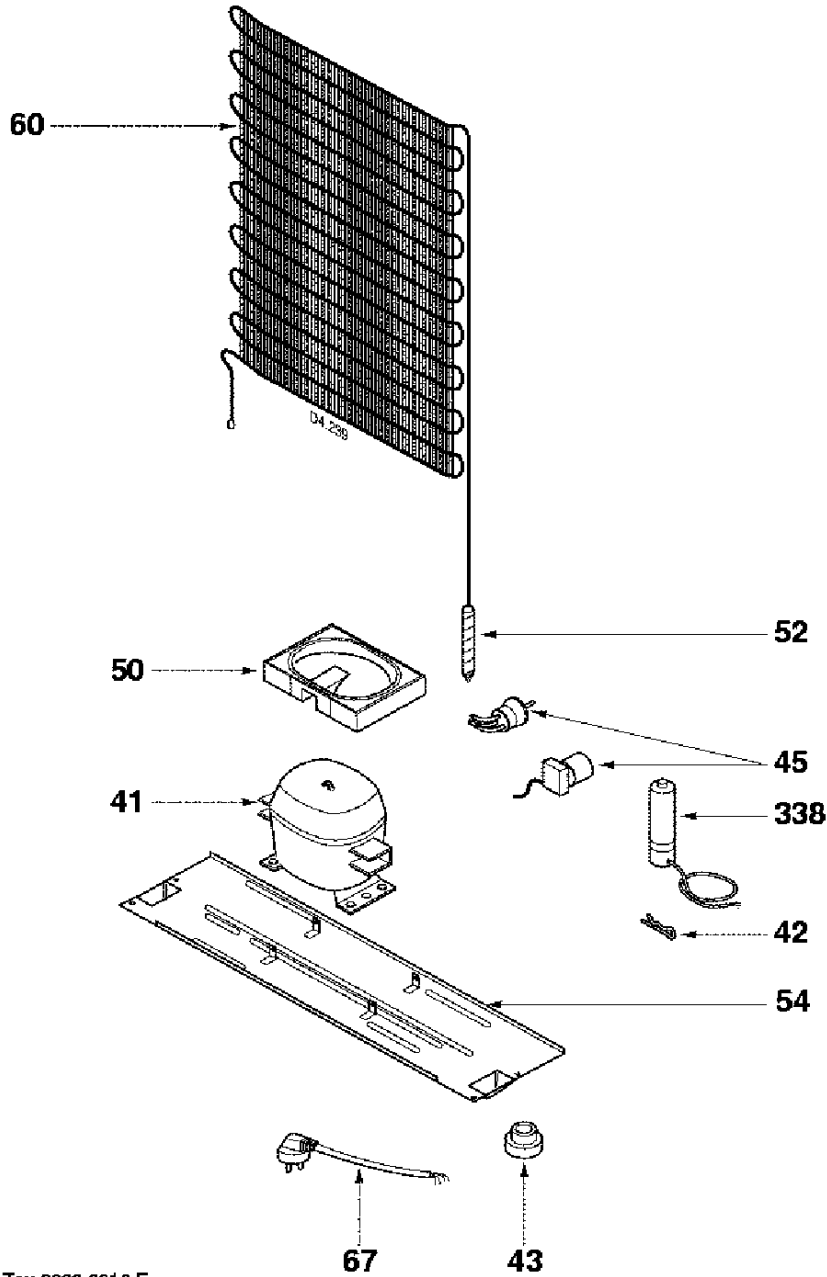
Brandt



UDN2220
UDN2220/1
5R75S00B5

Brandt





Tav.3800.0012.F

D4.239

Pos.	Reference	Description
0	84X0354	INSTRUCTIONS FOR USE--FR-GB
0	84X0373	INSTRUCTIONS FOR USE--NL-DA
1	46X0176	DOOR--
100	45X1140	SWITCH
125	46X0067	RACK
126	46X0066	RACK, FLAT
133	46X1642	ICE CUBE COMP'T--
142	41X1802	COMPARTMENT
145	41X1398	LOWER TUB
153	41X0844	PIVOT, LOWER
154	41X0618	LOWER HINGE
155	45X4116	ADJUSTABLE LEG
156	41X0771	FRONT PANEL
160	45X0764	RIVET
166	46X0065	COVER
167	46X0061	POLYSTYRENE WEDGE--
173	46X0069	EVAPORATOR
181	46X0477	FAN--
188	46X0481	EVACUATION PIPE--
204	46X0057	CONVEYOR
212	41X0726	PROFILE
22	41X1392	HANDLE ASSEMBLY
223	41X1396	UPPER TUB
245	46X0480	DOOR FLAP--
25	45X2959	PIVOT, UPPER
253	41X9532	PLATE, NAME
27	43X8215	UPPER HINGE SCREW
271	41X1394	RH.INTERNAL HINGE
273	41X1395	LH INTERNAL HINGE
276	46X0059	DRAIN
278	41X9847	DOOR SHELF--
28	45X8260	WASHER
280	45X8413	FAN CLAMP
297	46X0060	OUTFLOW SOCKET
315	46X0062	DIFFUSER
325	45X7898	SLIDE
337	45X4120	COVER SCREW
338	41X0731	CAPACITOR
352	41X0638	PLUG
387	46X0157	KNOB SPINDLE
395	46X0020	BUTTON
41	42X0163	COMPRESSOR--NLX8.8KK2
413	41X1380	HANDLE, BASKET
42	45X0690	COMPRESOR CLIP
429	46X0010	TRANSPARENT WINDOW
43	45X7205	DAMPER
438	46X0068	ELECTRONIC CARD
446	46X0478	REAR PLATE--
45	41X3771	START RELAY--PTC 103N0050
485	46X0173	DISTRIBUTION BOX--
50	46X0482	EVAPORATION TRAY--
52	43X7765	DRYER
54	45X9386	COMPRESSOR CROSS PIE
546	46X1641	CONTROL KNOB--
547	46X1640	COMPARTMENT--
60	41X3110	CONDENSER--
67	45X0696	CORD, MAINS
75	46X0058	DECORATIVE PEDIMENT
77	41X2051	CONTROL KNOB, T'STA