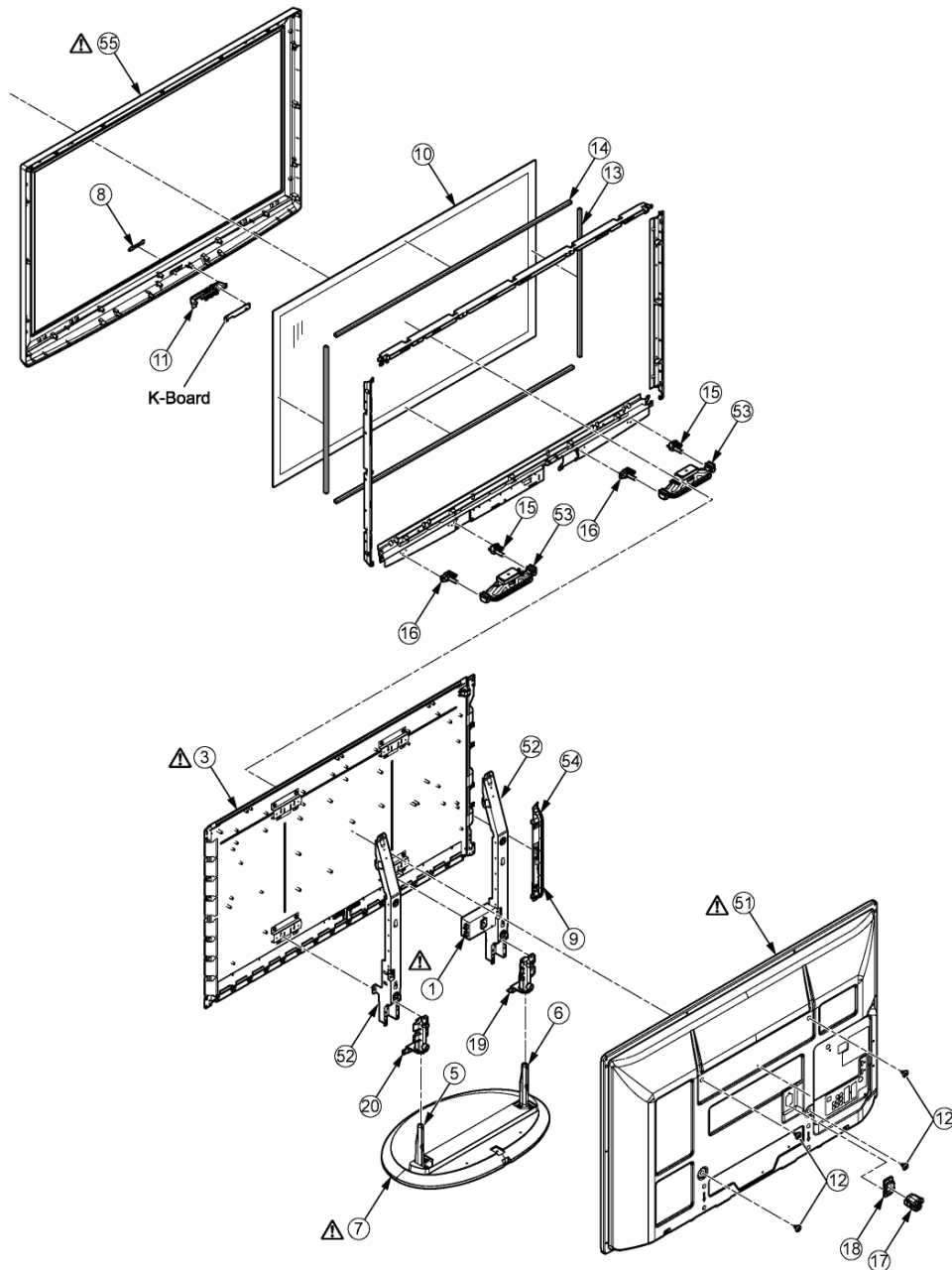


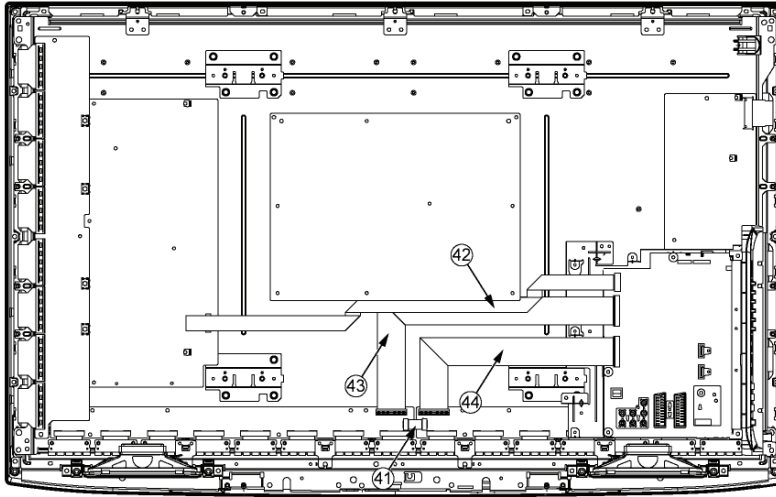
15 Exploded View and Replacement Parts List

15.1. Exploded View and Mechanical Replacement Parts List

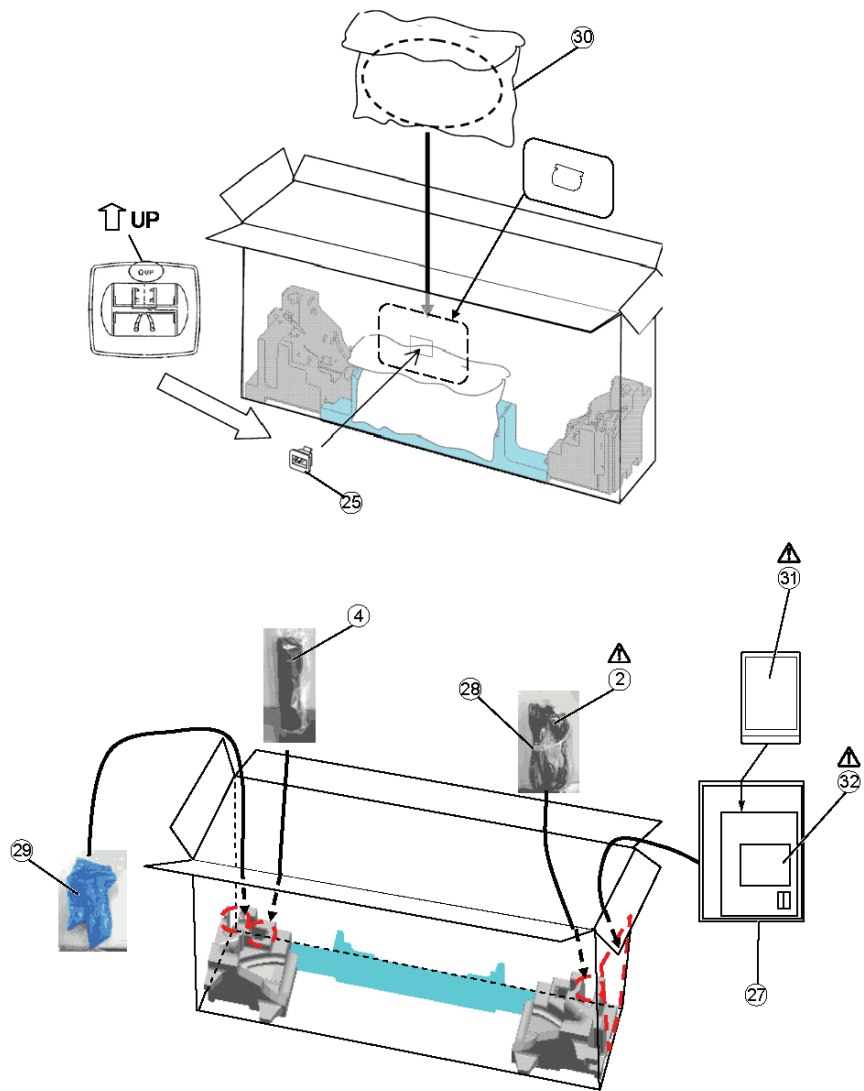
15.1.1. Exploded View 1



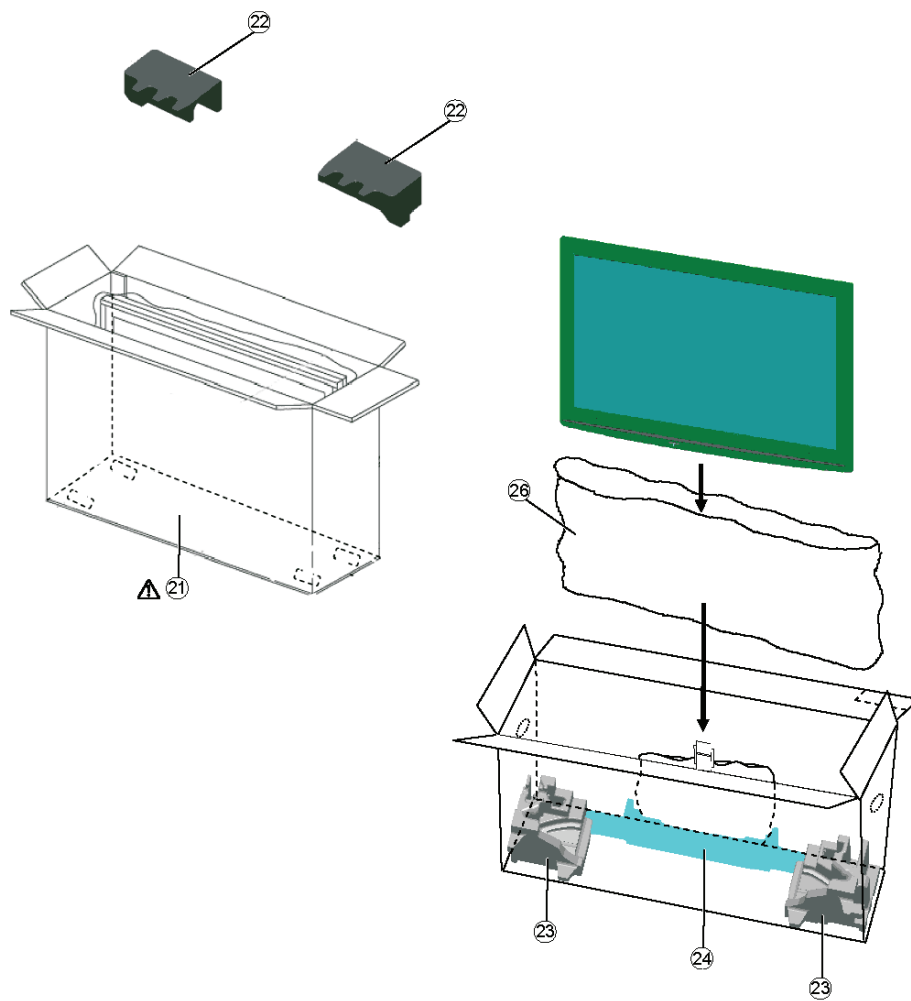
15.1.2. Exploded View 2



15.1.3. Packing 1













15.1.4. Packing 2






15.1.5. Mechanical Replacement Parts List

Note: All parts except parts mentioned [PAVCCZ] in the Remarks column are supplied by AVC-CSPC.
Parts mentioned [PAVCCZ] are supplied by PAVCCZ.

Safety	Ref. No.	Part No.	Part Name & Description	Q'ty	Remarks
	1	K2AHYH000033	AC INLET WITH CABLE	1	PAVCCZ
	2	K2CN3YY00006	AC CORD	1	PAVCCZ P42S20E/ES, PF42S20, PR42S20
	2	K2CT3YY00021	AC CORD	1	PAVCCZ P42S20L
	3	MD42F13C1Z	PLASMA DISPLAY PANEL	1	PAVCCZ
	4	N2QAYB000487	REMOTE CONTROL	1	PAVCCZ
	5	TBLA3689	STAND POLE R	1	
	6	TBLA3690	STAND POLE L	1	
	7	TBLX0138	PEDESTAL STAND	1	PAVCCZ P42S20E/L, PF42S20, PR42S20
	7	TBLX0202	PEDESTAL STAND	1	PAVCCZ P42S20ES
	8	TBMA352	PANASONIC SHEET BADGE	1	PAVCCZ
	9	TBX3EA00401	POWER BUTTON	1	
		THEJ0339	SCREW(BC-TUNER:1 SIDE_COVER:4)	5	
		THEL052Z	SCREW (BC TOP:4)	2	
		THEL079N	PF SCREW(5x30)	4	
		THTD020J	SCREW(A-PRINT:4)	4	
		THTF016J	SCREW(P:9 TU:2)	11	
		THTF016J	SC(SC:7 SS:8 SM:3 K-P:2)	20	
		THTF016J	SCREW(DD:30 C:8)	38	
	10	TKGA5646	FRONT GLASS	1	PAVCCZ
	11	TKK3EC5009	LED PANEL	1	PAVCCZ
	12	TKKL5493	M8 CAP	4	
	13	TMK0EG010	SPONGE (FRONT GLASS/LEFT/RIGHT)	2	PAVCCZ
	14	TMK0EG011	SPONGE (FRONT GLASS/UPPER/BOTTOM)	2	PAVCCZ
		TMM23417	CLAMPER	3	
		TMME292	CLAMPER	1	
		TMME331	CLAMPER(P:1)	1	
		TMME332	CLAMPER(HANGER:4)	4	
		TMME332	CLAMPER(SS:2)	2	
		TMME332	CLAMPER	1	
		TMME332	CLAMPER(GLASS HOLDER BOTTOM)	1	
		TMME379	CLAMPER	3	
	15	TMW3EX002	SP BRACKET L	2	
	16	TMW3EX003	SP BRACKET R	2	
	17	TMXX064	AC CORD CLAMPER A	1	
	18	TMXX065	AC CORD CLAMPER B	1	
	19	TMZX5174	STAND BRACKET-L	1	
	20	TMZX5175	STAND BRACKET-R	1	
	21	TPC0E65403	CARTON BOX	1	PAVCCZ
	22	TPD0E1121	TOP CUSHION	1	PAVCCZ
	23	TPD0E2117	BOTTOM CUSHION	1	PAVCCZ
	24	TPD0E2118	PEDESTAL CUSHION	1	PAVCCZ
	25	TPDX0016-1	JOINT FOR PEDESTAL	1	
	26	TPE0E4047	SET BAG	1	PAVCCZ

Safety	Ref. No.	Part No.	Part Name & Description	Q'ty	Remarks
	27	TPE0E9002	ACCESSORIES BAG	1	PAVCCZ
	28	TPE0E9003	BAG FOR AC CORD	1	PAVCCZ
	29	TPEB341	STAND ACCESSORY BAG	1	
	30	TPEB438	BAG (PEDESTAL STAND)	1	
		TPG0E9311	PAPER CAP	0.25	PAVCCZ
	31	TQB0E936A	INSTRUCTION BOOK (GERMAN)	1	PAVCCZ P42S20E/ES
	31	TQB0E936B	INSTRUCTION BOOK (DUTCH)	1	PAVCCZ P42S20E/ES
	31	TQB0E936C	INSTRUCTION BOOK (ITALIAN)	1	PAVCCZ P42S20E/ES
	31	TQB0E936D	INSTRUCTION BOOK (FRENCH)	1	PAVCCZ P42S20E/ES
	31	TQB0E936E	INSTRUCTION BOOK (SPANISH)	1	PAVCCZ P42S20E/ES
	31	TQB0E936F	INSTRUCTION BOOK (SWEDISH)	1	PAVCCZ P42S20E/ES
	31	TQB0E936G	INSTRUCTION BOOK (NORWEGIAN)	1	PAVCCZ P42S20E/ES
	31	TQB0E936H	INSTRUCTION BOOK (FINNISH)	1	PAVCCZ P42S20E/ES
	31	TQB0E936I	INSTRUCTION BOOK (LITHUANIAN)	1	PAVCCZ P42S20E/ES
	31	TQB0E936J	INSTRUCTION BOOK (PORTUGUESE)	1	PAVCCZ P42S20E/ES
	31	TQB0E936K	INSTRUCTION BOOK (DANISH)	1	PAVCCZ P42S20E/ES
	31	TQB0E936M	INSTRUCTION BOOK (BULGARIAN)	1	PAVCCZ P42S20E/ES
	31	TQB0E936N	INSTRUCTION BOOK (ROMANIAN)	1	PAVCCZ P42S20E/ES
	31	TQB0E936O	INSTRUCTION BOOK (LATVIAN)	1	PAVCCZ P42S20E/ES
	31	TQB0E936P	INSTRUCTION BOOK (POLISH)	1	PAVCCZ P42S20E/ES
	31	TQB0E936Q	INSTRUCTION BOOK (HUNGARIAN)	1	PAVCCZ P42S20E/ES
	31	TQB0E936R	INSTRUCTION BOOK (CZECH)	1	PAVCCZ P42S20E/ES
	31	TQB0E936S	INSTRUCTION BOOK (GREEK)	1	PAVCCZ P42S20E/ES
	31	TQB0E936T	INSTRUCTION BOOK (TURKISH)	1	PAVCCZ P42S20E/ES
	31	TQB0E936U	INSTRUCTION BOOK (ENGLISH)	1	PAVCCZ P42S20E/ES
	31	TQB0E936W	INSTRUCTION BOOK (SLOVAKIAN)	1	PAVCCZ P42S20E/ES
	31	TQB0E936Z	INSTRUCTION BOOK (ESTONIAN)	1	PAVCCZ P42S20E/ES
	31	TQB0E937	INSTRUCTION BOOK (ENGLISH)	1	PAVCCZ P42S20L
	31	TQB0E968D	INSTRUCTION BOOK (FRENCH)	1	PAVCCZ PF42S20
	31	TQB0E968U	INSTRUCTION BOOK (ENGLISH)	1	PAVCCZ PF42S20
	31	TQB0E9389	INSTRUCTION BOOK (KAZAKHATAN)	1	PAVCCZ PR42S20
	31	TQB0E938L	INSTRUCTION BOOK (RUSSIAN)	1	PAVCCZ PR42S20
	31	TQB0E938Y	INSTRUCTION BOOK (UKRAINIAN)	1	PAVCCZ PR42S20
	32	TQB0E936X	INSTRUCTION BOOK (CD-ROM)	1	PAVCCZ P42S20E/ES
		TQZJ202	SCREW USE HANDBILL	1	
	41	TSXL519	CABLE (C10-C20)	1	
	42	TSXM060	CABLE (A20-SC20)	1	PAVCCZ
	43	TSXM061	CABLE (A31-C11)	1	PAVCCZ
	44	TSXM062	CABLE (A32-C21)	1	PAVCCZ
	51	TTU0E0713	REAR COVER	1	PAVCCZ P42S20E
	51	TTU0E0790	REAR COVER	1	PAVCCZ P42S20ES
	51	TTU0E0730	REAR COVER	1	PAVCCZ P42S20L
	51	TTU0E0729	REAR COVER	1	PAVCCZ PF42S20

Safety	Ref. No.	Part No.	Part Name & Description	Q'ty	Remarks
	51	TTU0E0726	REAR COVER	1	PAVCCZ PR42S20
	52	TUX0E152	42HANGER METAL	2	PAVCCZ
	53	TXFEA01LWUE	SPEAKER ASSY	2	PAVCCZ
	54	TXFKP01LWUE	SIDE TERMINAL COVER ASSY	1	PAVCCZ
	55	TXFKY01LRUE	CABINET ASSY	1	PAVCCZ P42S20E/L, PF42S20, PR42S20
	55	TXFKY01LSUE	CABINET ASSY	1	PAVCCZ P42S20ES
		TXJA11LWUE	SPEAKER LEAD(A11-SPL/SPR)	1	PAVCCZ
		XSB3+6FJ	SCREW (HDMI:3)	3	
		XSB4+6FN	BIND SCREW	2	
		XTB4+12GFJ	SCREW (GH:20 PW:2 LED:1)	16	
		XTB4+12GFJK	SCREW (BC:11)	11	
		XTB4+12GFN	SCREW (4*12)	4	
		XTV3+10JFJK	SCREW (REAR AV:2)	2	
		XYN3+F10FJK	SCREW (BC-AC_INLET:2)	2	
		XYN3+J10FJ	SCREW	17	
		XYN4+E6FJ	SCREW (INLET:1)	1	
		XYN4+F10FJ	SCREW	6	
		XYN4+F10FJ	SCREW (HANGER METAL ASSY:4)	4	
		XYN4+F10FJ	SCREW (SP BRKT:4)	4	
		XYN4+F10FJ	SCREW (AL-GHT:4)	4	
		XYN4+F10FJ	SCREW (SM:4)	4	
		XYN4+F10FJ	SCREW (KARI-HANGER METAL:4)	4	
		XYN5+F18FN	SCREW (STAND POLE)	4	
		XZB17X19C03	POLY BAG (STAND POLE)	1	
		XZBT6506	POLY BAG (INSTRUCTION BOOK)	1	

15.2. Electrical Replacement Parts List

15.2.1. Replacement Parts List Notes

RTL (Retention Time Limited)

Note: The marking (RTL) indicates that the Retention Time is Limited for this item. After the discontinuation of this assembly in production, the item will continue to be available for a specific period of time. The retention period of availability is dependant on the type of assembly, and in accordance with the laws governing part and product retention. After the end of this period, the assembly will no longer be available.

Abbreviation of part name and description

1. Resistor

Example:

ERD25TJ104 C 100KOHM, J, 1/4W
 Type Allowance

2. Capacitor

Example:

ECKF1H103ZF C 0.01UF, Z, 50V
 Type Allowance

Type	Allowance
C : Carbon	F : ±1%
F : Fuse	G : ±2%
M : Metal Oxide Metal Film	J : ±5%
S : Solid	K : ±10%
W : Wire Wound	M : ±20%

Type	Allowance
C : Ceramic	C : ±0.25pF
E : Electrolytic	D : ±0.5pF
P : Polyester	F : ±1pF
Polyprop	G : ±3pF
lene	J : ±5pF
T : Tantalum	K : ±10pF
	L : ±15pF
	M : ±20pF
	P : +100%, -0%
	Z : +80%, -20%

15.2.2. Electrical Replacement Parts List

Note: All parts except parts mentioned [PAVCCZ] in the Remarks column are supplied by AVC-CSPC.
Parts mentioned [PAVCCZ] are supplied by PAVCCZ.

Safety	Ref. No.	Part No.	Part Name & Description	Pcs	Remarks
△	PCB	LSEP1287BEHB	CIRCUIT BOARD P	1	(RTL) PAVCCZ
△	PCB	A-P42S20E	CIRCUIT BOARD A	1	(RTL) PAVCCZ P42S20E
△	PCB	A-P42S20ES	CIRCUIT BOARD A	1	(RTL) PAVCCZ P42S20ES
△	PCB	A-P42S20L	CIRCUIT BOARD A	1	(RTL) PAVCCZ P42S20L
△	PCB	A-PF42S20	CIRCUIT BOARD A	1	(RTL) PAVCCZ PF42S20
△	PCB	A-PR42S20	CIRCUIT BOARD A	1	(RTL) PAVCCZ PR42S20
△	PCB	TXN/K1LWUE	CIRCUIT BOARD K	1	(RTL) PAVCCZ
△	PCB	TNPA5094	CIRCUIT BOARD C1	1	(RTL)
△	PCB	TNPA5095	CIRCUIT BOARD C2	1	(RTL)
△	PCB	TXNSC11DEK	CIRCUIT BOARD SC	1	(RTL) PAVCCZ
△	PCB	TXNSM11DEK	CIRCUIT BOARD SM	1	PAVCCZ
△	PCB	TXNSS11DEK	CIRCUIT BOARD SS	1	(RTL) PAVCCZ
△	PCB	TNPA4802	CIRCUIT BOARD SS2	1	(RTL)
	A1	K1KY08AA0719	8P CONNECTOR	1	
	A6	K1KY11AA0719	11P CONNECTOR	1	
	A7	K1KY14AA0719	14P CONNECTOR	1	PAVCCZ
	A11	K1KA04AA0728	4P CONNECTOR	1	
	A20	K1MY35BA0345	35P CONNECTOR	1	
	A31	K1MY68BA0345	68P CONNECTOR	1	
	A32	K1MY68BA0345	68P CONNECTOR	1	
	C0900	F1G1C104A116	C 0.10UF, K, 16V	1	
	C1100	F1G1E103A123	C 0.010UF, K, 25V	1	
	C1101	F1G1E103A123	C 0.010UF, K, 25V	1	
	C1102	F1G1C104A116	C 0.10UF, K, 16V	1	
	C2055	F1J1A106A087	C 0.010UF, K, 10V	1	
	C2057	F1J1A106A087	C 0.010UF, K, 10V	1	
	C2071	EEEB0J101UR	C 100PF, J, 6.3V	1	
	C2072	EEEB0J101UR	C 100PF, J, 6.3V	1	
	C2073	F1G1E333A091	C 0.033UF, K, 25V	1	
	C2074	F1G1E333A091	C 0.033UF, K, 25V	1	
	C2104	F1G1H100A731	C 10PF, K, 50V	1	
	C2107	F1G1A105A047	C 1UF, K, 10V	1	
	C2108	F1G1A105A047	C 1UF, K, 10V	1	
	C2110	F1G1C104A116	C 0.10UF, K, 16V	1	
	C2301	F1G1C104A116	C 0.10UF, K, 16V	1	
	C2302	F1G1C104A116	C 0.10UF, K, 16V	1	
	C2304	F1J1E105A231	C 1 UF 25V	1	
	C2309	F1K1E106A136	C 10UF, Z, 25V	1	
	C2312	F1K1E106A136	C 10UF, Z, 25V	1	
	C2313	F1G1H102A730	C 1000UF, 50V	1	
	C2314	F1J1E105A231	C 1 UF 25V	1	
	C2316	F1H1H104A970	C 0.1UF, K, 50V	1	
	C2317	F1J1E105A231	C 1 UF 25V	1	
	C2318	F1H1H104A970	C 0.1UF, K, 50V	1	
	C2320	F1J1E105A231	C 1 UF 25V	1	
	C2321	F1H1H104A970	C 0.1UF, K, 50V	1	
	C2323	F1H1H104A970	C 0.1UF, K, 50V	1	
	C2324	F1J1E105A231	C 1 UF 25V	1	
	C2325	F1G1H102A730	C 1000UF, 50V	1	
	C2334	F1J1H474A757	C 0.47UF, 50V	1	
	C2335	F1H1E104A129	C 0.1UF, 25V	1	
	C2336	F1H1E104A129	C 0.1UF, 25V	1	
	C2337	F1J1H474A757	C 0.47UF, 50V	1	
	C2338	F1H1E104A129	C 0.1UF, 25V	1	
	C2339	F1H1E104A129	C 0.1UF, 25V	1	
	C2340	F1H1H223A970	C 0.22UF, K, 50V	1	
	C2341	F1H1H223A970	C 0.22UF, K, 50V	1	
	C2342	F1H1H223A970	C 0.22UF, K, 50V	1	
	C2343	F1H1H223A970	C 0.22UF, K, 50V	1	
	C2344	F1H1H223A970	C 0.22UF, K, 50V	1	
	C2345	F1H1H223A970	C 0.22UF, K, 50V	1	
	C2346	F1H1H223A970	C 0.22UF, K, 50V	1	
	C2347	F1H1H223A970	C 0.22UF, K, 50V	1	
	C2349	F1G1H102A730	C 1000UF, 50V	1	
	C2351	F1G1H102A730	C 1000UF, 50V	1	
	C2353	F1G1H102A730	C 1000UF, 50V	1	
	C2355	F1G1H102A730	C 1000UF, 50V	1	
	C2356	F1K1E106A136	C 10UF, Z, 25V	1	
	C2357	F1K1E106A136	C 10UF, Z, 25V	1	
	C2510	F1H1H103A970	C 0.001UF, K, 50V	1	
	C2511	F1J1A106A087	C 0.010UF, K, 10V	1	
	C2515	F1H1H103A970	C 0.001UF, K, 50V	1	
	C2521	F1H1C104A143	C 0.1UF, K, 16V	1	
	C2751	F1J1E105A231	C 1 UF 25V	1	
	C2824	F1J1A106A087	C 0.010UF, K, 10V	1	
	C2871	F1K1E106A136	C 10UF, Z, 25V	1	
	C2872	F1G1E103A123	C 0.010UF, K, 25V	1	
	C2873	F1J1A106A087	C 0.010UF, K, 10V	1	
	C2874	F1J1A106A087	C 0.010UF, K, 10V	1	
	C2877	F1H1H223A970	C 0.22UF, K, 50V	1	
	C2878	F1H1H472A970	C 4700PF, K, 50V	1	
	C2879	F1G1E103A123	C 0.010UF, K, 25V	1	
	C2883	F2H1E470A007	E 47UF, 25V	1	
	C2884	F1J1E105A231	C 1 UF 25V	1	
	C2885	F1K1E106A136	C 10UF, Z, 25V	1	
	C2886	F1K1E106A136	C 10UF, Z, 25V	1	
	C2905	EEEB1C101P	C 100PF, J, 16V	1	
	C2907	F1G1C104A116	C 0.10UF, K, 16V	1	
	C2908	F1G1C104A116	C 0.10UF, K, 16V	1	
	C2910	F1G1C104A116	C 0.10UF, K, 16V	1	
	C2911	F1G1C104A116	C 0.10UF, K, 16V	1	
	C2917	F1G1H222A730	C 2200UF, 50V	1	
	C2950	ECJ2YB0J475K	C 3.3UF, Z, 4.7V	1	
	C2951	ECJ2YB0J475K	C 3.3UF, Z, 4.7V	1	
	C2959	F1G1C104A116	C 0.10UF, K, 16V	1	
	C2961	ECJ1VB1A105K	C 0.01UF, Z, 50V	1	
	C2965	ECJ1VB1A105K	C 0.01UF, Z, 50V	1	
	C2966	F1H1A225A051	C 22UF, 50V	1	
	C3003	F1G1C104A116	C 0.10UF, K, 16V	1	
	C3004	F1G1C104A116	C 0.10UF, K, 16V	1	

Safety	Ref. No.	Part No.	Part Name & Description	Pcs	Remarks
	C3011	F1J1A106A087	C 0.010UF, K, 10V	1	
	C3013	ECJ1VB1A105K	C 0.01UF, Z, 50V	1	
	C3014	ECJ1VB1A105K	C 0.01UF, Z, 50V	1	
	C3015	F1J1A106A087	C 0.010UF, K, 10V	1	
	C3016	FIG1C104A116	C 0.10UF, K, 16V	1	
	C3018	FIG1C104A116	C 0.10UF, K, 16V	1	
	C3019	FIG1C104A116	C 0.10UF, K, 16V	1	
	C3020	ECJ1VB1A105K	C 0.01UF, Z, 50V	1	
	C3021	ECJ1VB1A105K	C 0.01UF, Z, 50V	1	
	C3022	ECJ1VB1A105K	C 0.01UF, Z, 50V	1	
	C3023	ECJ1VB1A105K	C 0.01UF, Z, 50V	1	
	C3024	F1J1A106A087	C 0.010UF, K, 10V	1	
	C3025	F1J1A106A087	C 0.010UF, K, 10V	1	
	C3031	ECJ1VB1A105K	C 0.01UF, Z, 50V	1	
	C3032	ECJ1VB1A105K	C 0.01UF, Z, 50V	1	
	C3105	FIG1H561A730	C 56UF, 50V	1	
	C3106	FIG1H561A730	C 56UF, 50V	1	
	C3108	FIG1E333A091	C 0.033UF, K, 25V	1	
	C3109	FIG1E333A091	C 0.033UF, K, 25V	1	
	C3111	ECJ1VB1A105K	C 0.01UF, Z, 50V	1	
	C3112	ECJ1VB1A105K	C 0.01UF, Z, 50V	1	
	C3113	F1J1A106A087	C 0.010UF, K, 10V	1	
	C3119	EEHHC101P	C 100PF, J, 16V	1	
	C3120	EEHHC101P	C 100PF, J, 16V	1	
	C3121	EEHHC101P	C 100PF, J, 16V	1	
	C3122	EEHHC101P	C 100PF, J, 16V	1	
	C3123	F1J1A106A087	C 0.010UF, K, 10V	1	
	C3124	F1J1A106A087	C 0.010UF, K, 10V	1	
	C3125	F1J1A106A087	C 0.010UF, K, 10V	1	
	C3126	F1J1A106A087	C 0.010UF, K, 10V	1	
	C3127	F1J1A106A087	C 0.010UF, K, 10V	1	
	C3128	F1J1A106A087	C 0.010UF, K, 10V	1	
	C3129	F1J1A106A087	C 0.010UF, K, 10V	1	
	C3130	FIG1C104A116	C 0.10UF, K, 16V	1	
	C3131	F1J1A106A087	C 0.010UF, K, 10V	1	
	C3132	F1J1A106A087	C 0.010UF, K, 10V	1	
	C3133	FIG1H561A730	C 56UF, 50V	1	
	C3134	FIG1H561A730	C 56UF, 50V	1	
	C3135	FIG1H561A730	C 56UF, 50V	1	
	C3136	FIG1H561A730	C 56UF, 50V	1	
	C3137	FIG1H561A730	C 56UF, 50V	1	
	C3138	FIG1H561A730	C 56UF, 50V	1	
	C3139	FIG1H561A730	C 56UF, 50V	1	
	C3140	FIG1H561A730	C 56UF, 50V	1	
	C3141	F1J1A106A087	C 0.010UF, K, 10V	1	
	C3142	F1J1A106A087	C 0.010UF, K, 10V	1	
	C3143	F1J1A106A087	C 0.010UF, K, 10V	1	
	C3144	F1J1A106A087	C 0.010UF, K, 10V	1	
	C3145	F1J1A106A087	C 0.010UF, K, 10V	1	
	C3146	F1J1A106A087	C 0.010UF, K, 10V	1	
	C3147	F1J1A106A087	C 0.010UF, K, 10V	1	
	C3148	F1J1A106A087	C 0.010UF, K, 10V	1	
	C3149	ECJ1VB1A105K	C 0.01UF, Z, 50V	1	
	C3150	ECJ1VB1A105K	C 0.01UF, Z, 50V	1	

Safety	Ref. No.	Part No.	Part Name & Description	Pcs	Remarks
	C3151	ECJ1VB1A105K	C 0.01UF, Z, 50V	1	
	C3152	ECJ1VB1A105K	C 0.01UF, Z, 50V	1	
	C3153	FIG1H561A730	C 56UF, 50V	1	
	C3154	FIG1H561A730	C 56UF, 50V	1	
	C3155	FIG1H561A730	C 56UF, 50V	1	
	C3156	FIG1H561A730	C 56UF, 50V	1	
	C3157	ECJ1VB1A105K	C 0.01UF, Z, 50V	1	
	C3158	ECJ1VB1A105K	C 0.01UF, Z, 50V	1	
	C3159	F1J1A106A087	C 0.010UF, K, 10V	1	
	C3160	F1J1A106A087	C 0.010UF, K, 10V	1	
	C3161	F1J1A106A087	C 0.010UF, K, 10V	1	
	C3162	F1J1A106A087	C 0.010UF, K, 10V	1	
	C3163	F1J1A106A087	C 0.010UF, K, 10V	1	
	C3164	F1J1A106A087	C 0.010UF, K, 10V	1	
	C3165	F1J1A106A087	C 0.010UF, K, 10V	1	
	C4546	ECJ1VB0J105K	C 1UF, K, 6.3V	1	
	C4547	ECJ1VB0J105K	C 1UF, K, 6.3V	1	
	C4660	ECJ1VB0J105K	C 1UF, K, 6.3V	1	
	C4661	ECJ1VB0J105K	C 1UF, K, 6.3V	1	
	C4662	ECJ1VB0J105K	C 1UF, K, 6.3V	1	
	C4663	ECJ1VB0J105K	C 1UF, K, 6.3V	1	
	C4664	ECJ1VB0J105K	C 1UF, K, 6.3V	1	
	C4665	ECJ1VB0J105K	C 1UF, K, 6.3V	1	
	C4666	ECJ1VB0J105K	C 1UF, K, 6.3V	1	
	C4667	ECJ1VB0J105K	C 1UF, K, 6.3V	1	
	C4701	FIG1C104A116	C 0.10UF, K, 16V	1	
	C4702	FIG1C104A116	C 0.10UF, K, 16V	1	
	C4704	FIG1C104A116	C 0.10UF, K, 16V	1	
	C4705	FIG1C104A116	C 0.10UF, K, 16V	1	
	C4707	FIG1C104A116	C 0.10UF, K, 16V	1	
	C4708	FIG1C104A116	C 0.10UF, K, 16V	1	
	C5000	FIG1C104A116	C 0.10UF, K, 16V	1	
	C5001	FIG1C104A116	C 0.10UF, K, 16V	1	
	C5002	FIG1C104A116	C 0.10UF, K, 16V	1	
	C5003	FIG1C104A116	C 0.10UF, K, 16V	1	
	C5004	FIG1H102A730	C 1000UF, 50V	1	
	C5050	F1J1A475A087	C 4.7UF, K, 10V	1	
	C5052	F2G1A221A149	E 220UF, 10V	1	
	C5055	FIG1C104A116	C 0.10UF, K, 16V	1	
	C5058	ECJ1VB0J105K	C 1UF, K, 6.3V	1	
	C5100	FIG1C104A116	C 0.10UF, K, 16V	1	
	C5101	F1H1A474A084	C 0.47UF, 50V	1	
	C5155	F1J0J106A004	C 0.010UF, K, 16V	1	
	C5156	F1J0J106A004	C 0.010UF, K, 16V	1	
	C5157	F1J0J106A004	C 0.010UF, K, 16V	1	
	C5158	F1J0J106A004	C 0.010UF, K, 16V	1	
	C5159	F1J0J106A004	C 0.010UF, K, 16V	1	
	C5160	F1J0J106A004	C 0.010UF, K, 16V	1	
	C5471	FIG1C104A116	C 0.10UF, K, 16V	1	
	C5472	FIG1C104A116	C 0.10UF, K, 16V	1	
	C5600	F1K1E106A136	C 10UF, Z, 25V	1	
	C5601	F1K1E106A136	C 10UF, Z, 25V	1	
	C5602	FIG1E682A123	C 6800UF, Z, 25V	1	
	C5603	F1K1E106A136	C 10UF, Z, 25V	1	
	C5604	F1K1E106A136	C 10UF, Z, 25V	1	
	C5606	FIG1A154A053	C 0.015UF, K, 10V	1	
	C5607	F1J1A475A087	C 4.7UF, K, 10V	1	
	C5608	F1H1C104A143	C 0.1UF, K, 16V	1	
	C5609	F1H1C104A143	C 0.1UF, K, 16V	1	
	C5611	F1J1E105A231	C 1 UF 25V	1	
	C5612	F1H1C105A145	C 0.01UF, K, 16V	1	
	C5615	F1H1A225A051	C 22UF, 50V	1	

Safety	Ref. No.	Part No.	Part Name & Description	Pcs	Remarks
	C5616	F1G1E103A123	C 0.010UF, K, 25V	1	
	C5617	F1K0J226A008	C 22UF, K, 6.3V	1	
	C5618	F1K0J226A008	C 22UF, K, 6.3V	1	
	C5619	F1K0J226A008	C 22UF, K, 6.3V	1	
	C5620	F1K0J226A008	C 22UF, K, 6.3V	1	
	C5621	F1K0J226A008	C 22UF, K, 6.3V	1	
	C5622	F1K0J226A008	C 22UF, K, 6.3V	1	
	C5625	F1K1E106A136	C 10UF, Z, 25V	1	
	C5626	F1K1E106A136	C 10UF, Z, 25V	1	
	C5627	F1G1A393A053	C0.015UF, K, 10V	1	
	C5628	F1K1E106A136	C 10UF, Z, 25V	1	
	C5629	F1K1E106A136	C 10UF, Z, 25V	1	
	C5631	F1G1C104A116	C 0.10UF, K, 16V	1	
	C5632	F1J1A475A087	C 4.7UF, K, 10V	1	
	C5633	F1H1C104A143	C 0.1UF, K, 16V	1	
	C5634	F1H1C104A143	C 0.1UF, K, 16V	1	
	C5635	F1H1C105A145	C 0.01UF, K, 16V	1	
	C5641	F1K0J226A008	C 22UF, K, 6.3V	1	
	C5642	F1K0J226A008	C 22UF, K, 6.3V	1	
	C5643	F1K0J226A008	C 22UF, K, 6.3V	1	
	C5649	ECJ1VB1A105K	C 0.01UF, Z, 50V	1	
	C5650	F1H1A225A051	C 22UF, 50V	1	
	C5651	F1J1A475A087	C 4.7UF, K, 10V	1	
	C5652	F1J1A475A087	C 4.7UF, K, 10V	1	
	C5658	F1K0J226A008	C 22UF, K, 6.3V	1	
	C5659	F1K0J226A008	C 22UF, K, 6.3V	1	
	C5660	F1K0J226A008	C 22UF, K, 6.3V	1	
	C5722	F1J1E105A231	C 1 UF 25V	1	
	C5723	F1H1C105A145	C 0.01UF, K, 16V	1	
	C8000	F1G1C104A116	C 0.10UF, K, 16V	1	
	C8001	F1G1C104A116	C 0.10UF, K, 16V	1	
	C8002	F1G1C104A116	C 0.10UF, K, 16V	1	
	C8003	F1G1C104A116	C 0.10UF, K, 16V	1	
	C8004	F1G1C104A116	C 0.10UF, K, 16V	1	
	C8005	F1G1C104A116	C 0.10UF, K, 16V	1	
	C8006	F1G1C104A116	C 0.10UF, K, 16V	1	
	C8007	F1G1C104A116	C 0.10UF, K, 16V	1	
	C8008	F1G1C104A116	C 0.10UF, K, 16V	1	
	C8009	F1G1C104A116	C 0.10UF, K, 16V	1	
	C8010	F1G1C104A116	C 0.10UF, K, 16V	1	
	C8011	F1G1C104A116	C 0.10UF, K, 16V	1	
	C8012	F1G1C104A116	C 0.10UF, K, 16V	1	
	C8013	F1G1C104A116	C 0.10UF, K, 16V	1	
	C8014	F1G1C104A116	C 0.10UF, K, 16V	1	
	C8015	ECJ1VB0J105K	C 1UF, K, 6.3V	1	
	C8016	ECJ1VB0J105K	C 1UF, K, 6.3V	1	
	C8017	F1G1C104A116	C 0.10UF, K, 16V	1	
	C8019	F1G1C104A116	C 0.10UF, K, 16V	1	
	C8020	F1G1C104A116	C 0.10UF, K, 16V	1	
	C8021	F1G1C104A116	C 0.10UF, K, 16V	1	
	C8022	F1J1A106A087	C 0.010UF, K, 10V	1	
	C8023	F1J1A106A087	C 0.010UF, K, 10V	1	
	C8024	F1J1A106A087	C 0.010UF, K, 10V	1	
	C8035	F1J1A106A087	C 0.010UF, K, 10V	1	
	C8036	F1J1A106A087	C 0.010UF, K, 10V	1	
	C8037	F1G1C104A116	C 0.10UF, K, 16V	1	
	C8042	ECJ1VB0J105K	C 1UF, K, 6.3V	1	
	C8044	F1J1A106A087	C 0.010UF, K, 10V	1	
	C8045	F1G1C104A116	C 0.10UF, K, 16V	1	
	C8046	F1G1C104A116	C 0.10UF, K, 16V	1	
	C8047	F1G1C104A116	C 0.10UF, K, 16V	1	
	C8048	ECJ1VB0J105K	C 1UF, K, 6.3V	1	
	C8050	F1G1C104A116	C 0.10UF, K, 16V	1	
	C8051	F1G1C104A116	C 0.10UF, K, 16V	1	
	C8052	F1G1C104A116	C 0.10UF, K, 16V	1	
	C8053	F1G1C104A116	C 0.10UF, K, 16V	1	
	C8054	F1G1C104A116	C 0.10UF, K, 16V	1	

Safety	Ref. No.	Part No.	Part Name & Description	Pcs	Remarks
	C8055	F1G1C104A116	C 0.10UF, K, 16V	1	
	C8056	F1G1C104A116	C 0.10UF, K, 16V	1	
	C8057	F1G1C104A116	C 0.10UF, K, 16V	1	
	C8058	F1G1C104A116	C 0.10UF, K, 16V	1	
	C8062	F1G1C104A116	C 0.10UF, K, 16V	1	
	C8063	F1G1C104A116	C 0.10UF, K, 16V	1	
	C8064	F1J0G2260001	C 0.001UF, 6.3V	1	
	C8067	F1G1C104A116	C 0.10UF, K, 16V	1	
	C8068	F1G1C104A116	C 0.10UF, K, 16V	1	
	C8069	F1G1C104A116	C 0.10UF, K, 16V	1	
	C8070	F1G1C104A116	C 0.10UF, K, 16V	1	
	C8073	ECJ1VB0J105K	C 1UF, K, 6.3V	1	
	C8074	ECJ1VB0J105K	C 1UF, K, 6.3V	1	
	C8075	ECJ1VB0J105K	C 1UF, K, 6.3V	1	
	C8076	F1G1C104A116	C 0.10UF, K, 16V	1	
	C8077	F1G1E103A123	C 0.010UF, K, 25V	1	
	C8079	F1G1H120A731	C 12UF, 50V	1	
	C8080	F1G1H8R0A732	C 8.0UF, 50V	1	
	C8081	F1G1H100A731	C 10PF, K, 50V	1	
	C8082	F1G1H8R0A732	C 8.0UF, 50V	1	
	C8085	F1J1A106A087	C 0.010UF, K, 10V	1	
	C8091	F1G1C104A116	C 0.10UF, K, 16V	1	
	C8093	ECJ1VB0J105K	C 1UF, K, 6.3V	1	
	C8097	F1G1C104A116	C 0.10UF, K, 16V	1	
	C8099	ECJ1VB0J105K	C 1UF, K, 6.3V	1	
	C8100	F1J1A106A087	C 0.010UF, K, 10V	1	
	C8101	F1J1A106A087	C 0.010UF, K, 10V	1	
	C8104	ECJ1VB0J105K	C 1UF, K, 6.3V	1	
	C8105	F1G1C104A116	C 0.10UF, K, 16V	1	
	C8108	F1G1C104A116	C 0.10UF, K, 16V	1	
	C8110	F1G1C104A116	C 0.10UF, K, 16V	1	
	C8111	F1G1C104A116	C 0.10UF, K, 16V	1	
	C8112	F1G1C104A116	C 0.10UF, K, 16V	1	
	C8113	F1G1C104A116	C 0.10UF, K, 16V	1	
	C8114	F1G1C104A116	C 0.10UF, K, 16V	1	
	C8115	F1G1C104A116	C 0.10UF, K, 16V	1	
	C8116	F1G1C104A116	C 0.10UF, K, 16V	1	
	C8117	F1G1C104A116	C 0.10UF, K, 16V	1	
	C8120	F1G1C104A116	C 0.10UF, K, 16V	1	
	C8123	F1G1C104A116	C 0.10UF, K, 16V	1	
	C8124	F1J1A106A087	C 0.010UF, K, 10V	1	
	C8125	F1J1A106A087	C 0.010UF, K, 10V	1	
	C8126	F1J1A106A087	C 0.010UF, K, 10V	1	
	C8127	ECJ1VB0J105K	C 1UF, K, 6.3V	1	
	C8300	F1G1C104A116	C 0.10UF, K, 16V	1	
	C8301	F1G1C104A116	C 0.10UF, K, 16V	1	
	C8303	F1G1C104A116	C 0.10UF, K, 16V	1	
	C8304	F1G1H100A731	C 10PF, K, 50V	1	
	C8305	F1G1H100A731	C 10PF, K, 50V	1	
	C8306	F1G1C104A116	C 0.10UF, K, 16V	1	
	C8308	F1G1C104A116	C 0.10UF, K, 16V	1	
	C8309	F1G1C104A116	C 0.10UF, K, 16V	1	
	C8310	F1G1C104A116	C 0.10UF, K, 16V	1	
	C8311	F1J1A106A087	C 0.010UF, K, 10V	1	
	C8314	F1G1C104A116	C 0.10UF, K, 16V	1	
	C8315	F1G1C104A116	C 0.10UF, K, 16V	1	
	C8316	F1G1C104A116	C 0.10UF, K, 16V	1	
	C8317	F1G1C104A116	C 0.10UF, K, 16V	1	
	C8318	F1G1C104A116	C 0.10UF, K, 16V	1	
	C8319	F1G1C104A116	C 0.10UF, K, 16V	1	
	C8320	ECJ1VB1A105K	C 0.01UF, Z, 50V	1	
	C8321	F1H1A225A051	C 22UF, 50V	1	
	C8322	F1G1C104A116	C 0.10UF, K, 16V	1	
	C8324	F1G1H560A731	C 56UF, 50V	1	
	C8325	F1G1H560A731	C 56UF, 50V	1	
	C8400	F1G1C104A116	C 0.10UF, K, 16V	1	
	C8401	F1G1C104A116	C 0.10UF, K, 16V	1	

Safety	Ref. No.	Part No.	Part Name & Description	Pcs	Remarks
	C8402	FIG1C104A116	C 0.10UF, K, 16V	1	
	C8403	FIG1C104A116	C 0.10UF, K, 16V	1	
	C8404	FIG1C104A116	C 0.10UF, K, 16V	1	
	C8405	FIG1C104A116	C 0.10UF, K, 16V	1	
	C8406	FIG1C104A116	C 0.10UF, K, 16V	1	
	C8407	FIG1C104A116	C 0.10UF, K, 16V	1	
	C8408	FIG1C104A116	C 0.10UF, K, 16V	1	
	C8409	FIG1C104A116	C 0.10UF, K, 16V	1	
	C8410	FIG1C104A116	C 0.10UF, K, 16V	1	
	C8411	EEEB1C101P	C 100PF, J, 16V	1	
	C8412	FIG1C104A116	C 0.10UF, K, 16V	1	
	C8413	FIG1E103A123	C 0.010UF, K, 25V	1	
	C8414	FIG1E103A123	C 0.010UF, K, 25V	1	
	C8415	FIG1C104A116	C 0.10UF, K, 16V	1	
	C8600	FIG1H102A730	C 1000UF, 50V	1	
	C8853	FIG1C104A116	C 0.10UF, K, 16V	1	
	C8854	FIG1C104A116	C 0.10UF, K, 16V	1	
	C8860	F2G1C470A022	E 47UF, 16V	1	
	C8861	FIG1C104A116	C 0.10UF, K, 16V	1	
	C8862	FIG1C103A116	C 0.010UF, K, 16V	1	
	C8863	F1J0G226A001	C 0.001UF, 6.3V	1	
	C8922	FIG1C104A116	C 0.10UF, K, 16V	1	
	C8923	FIG1C104A116	C 0.10UF, K, 16V	1	
	C8950	FIG1C103A116	C 0.010UF, K, 16V	1	
	C9040	FIG1C104A116	C 0.10UF, K, 16V	1	
	C9052	FIG1C104A116	C 0.10UF, K, 16V	1	
	C9066	F1K0J226A008	C 22UF, K, 6.3V	1	
	C9067	FIG1H561A730	C 56UF, 50V	1	
	C9069	FIG1H561A730	C 56UF, 50V	1	
	C9100	F1J1A106A087	C 0.010UF, K, 10V	1	
	C9101	FIG1E103A123	C 0.010UF, K, 25V	1	
	C9102	F1K1E106A136	C 10UF, Z, 25V	1	
	C9103	FIG1E103A123	C 0.010UF, K, 25V	1	
	C9106	F1K1E106A136	C 10UF, Z, 25V	1	
	C9108	FIG1E103A123	C 0.010UF, K, 25V	1	
	C9116	FIG1C104A116	C 0.10UF, K, 16V	1	
	C9300	FIG1C104A116	C 0.10UF, K, 16V	1	
	C9301	FIG1H150A731	C 15UF, 50V	1	
	C9302	FIG1H180A731	C 18UF, 50V	1	
	C9303	FIG1C104A116	C 0.10UF, K, 16V	1	
	C9307	FIG1C104A116	C 0.10UF, K, 16V	1	
	C9308	FIG1C104A116	C 0.10UF, K, 16V	1	
	C9311	FIG1C104A116	C 0.10UF, K, 16V	1	
	C9312	F1J1A106A087	C 0.010UF, K, 10V	1	
	C9313	FIG1C104A116	C 0.10UF, K, 16V	1	
	C9314	F1J1A106A087	C 0.010UF, K, 10V	1	
	C9315	FIG1C104A116	C 0.10UF, K, 16V	1	
	C9316	F1J1A106A087	C 0.010UF, K, 10V	1	
	C9319	FIG1C104A116	C 0.10UF, K, 16V	1	
	C9322	FIG1C104A116	C 0.10UF, K, 16V	1	
	C9323	FIG1C104A116	C 0.10UF, K, 16V	1	
	C9325	FIG1C104A116	C 0.10UF, K, 16V	1	
	C9327	FIG1C104A116	C 0.10UF, K, 16V	1	
	C9335	F1J1A106A087	C 0.010UF, K, 10V	1	
	C9336	F1J1A106A087	C 0.010UF, K, 10V	1	
	C9337	F1J1A106A087	C 0.010UF, K, 10V	1	
	C9339	FIG1C104A116	C 0.10UF, K, 16V	1	
	C9340	FIG1C104A116	C 0.10UF, K, 16V	1	
	C9342	FIG1C104A116	C 0.10UF, K, 16V	1	
	C9344	FIG1C104A116	C 0.10UF, K, 16V	1	
	C9347	ECJ1VB0J105K	C 1UF, K, 6.3V	1	

Safety	Ref. No.	Part No.	Part Name & Description	Pcs	Remarks
	C9349	F1J1A106A087	C 0.010UF, K, 10V	1	
	C9350	FIG1C104A116	C 0.10UF, K, 16V	1	
	C9351	FIG1C104A116	C 0.10UF, K, 16V	1	
	C9352	ECJ1VB0J105K	C 1UF, K, 6.3V	1	
	C9356	FIG1C104A116	C 0.10UF, K, 16V	1	
	C9361	FIG1C104A116	C 0.10UF, K, 16V	1	
	C9363	FIG1C104A116	C 0.10UF, K, 16V	1	
	C9371	F1J1A106A087	C 0.010UF, K, 10V	1	
	C9372	F1J1A106A087	C 0.010UF, K, 10V	1	
	C9373	F1J1A106A087	C 0.010UF, K, 10V	1	
	C9374	FIG1C104A116	C 0.10UF, K, 16V	1	
	C9375	FIG1C104A116	C 0.10UF, K, 16V	1	
	C9380	FIG1C104A116	C 0.10UF, K, 16V	1	
	C9383	FIG1C104A116	C 0.10UF, K, 16V	1	
	C9391	F1J1A106A087	C 0.010UF, K, 10V	1	
	C9392	F1J1A106A087	C 0.010UF, K, 10V	1	
	C9394	FIG1C104A116	C 0.10UF, K, 16V	1	
	C9400	FIG1C104A119	C 0.10UF, K, 16V	1	
	C9401	FIG1C104A119	C 0.10UF, K, 16V	1	
	C9402	FIG1C104A119	C 0.10UF, K, 16V	1	
	C9800	F1H1E104A129	C 0.1UF, 25V	1	
	C9801	FIG1E682A123	C 6800UF, Z, 25V	1	
	C9803	FIG1E472A123	C 4200UF, Z, 25V	1	
	C9804	F1K1E106A136	C 10UF, Z, 25V	1	
	C9805	F1K1E106A136	C 10UF, Z, 25V	1	
	C9806	FIG1H101A731	C 100PF, K, 50V	1	
	C9807	FIG1H201A731	C 200 UF, K, 50V	1	
	C9809	FIG1H102A730	C 1000UF, 50V	1	
	C9811	FIG1C104A116	C 0.10UF, K, 16V	1	
	C9812	F1K1E106A136	C 10UF, Z, 25V	1	
	C9813	F1K1E106A136	C 10UF, Z, 25V	1	
	C9814	F1K0J226A008	C 22UF, K, 6.3V	1	
	C9815	F1K0J226A008	C 22UF, K, 6.3V	1	
	C9816	FIG1E103A123	C 0.010UF, K, 25V	1	
	C9825	F1K0J226A008	C 22UF, K, 6.3V	1	
	C9827	F1K1E106A136	C 10UF, Z, 25V	1	
	C9828	F1K1E106A136	C 10UF, Z, 25V	1	
	C9829	FIG1C104A116	C 0.10UF, K, 16V	1	
	C9830	FIG1E103A123	C 0.010UF, K, 25V	1	
	C9831	FIG1H272A730	C 2700UF, 50V	1	
	C9834	F1K0J226A008	C 22UF, K, 6.3V	1	
	C9835	F1K0J226A008	C 22UF, K, 6.3V	1	
	C9900	FIG1E103A123	C 0.010UF, K, 25V	1	
	CN0102	K1KA11A00178	11P CONNECTOR	1	
	D1101	B0JCC000008	DIODE	1	
	D2014	B0ACCJ000048	DIODE	1	
	D2520	B3AGB0000060	LED	1	PAVCCZ
	D2870	B0JCME000092	DIODE	1	
	D3123	DZ2J140M0L	ZENER DIODE	1	PAVCCZ
	D3124	DZ2J140M0L	ZENER DIODE	1	PAVCCZ
	D3129	B0ACCJ000048	DIODE	1	
	D3130	B0ACCJ000048	DIODE	1	
	D3300	K7AAAY000006	PHOTO LINK	1	
	D4702	B0ACCJ000048	DIODE	1	
	D4704	B0JCC000008	DIODE	1	
	D4719	B0ACCJ000048	DIODE	1	
	D4721	B0JCC000008	DIODE	1	
	D4735	B0ACCJ000048	DIODE	1	
	D4737	B0JCC000008	DIODE	1	
	D5000	B0ADCJ000100	DIODE	1	
	D5051	B0JCME000076	DIODE	1	
	D5052	B0ACCJ000048	DIODE	1	
	D5100	B0ADEJ000035	ZENER DIODE	1	
	D5471	B0ACCJ000048	DIODE	1	

Safety	Ref. No.	Part No.	Part Name & Description	Pcs	Remarks
	L8400	J0JHC0000045	CHIP INDUCTOR	1	
	L8401	J0JHC0000045	CHIP INDUCTOR	1	
	L8850	J0JHC0000045	CHIP INDUCTOR	1	
	L8920	J0JHC0000075	CHIP INDUCTOR	1	
	L9300	J0JHC0000117	CHIP INDUCTOR	1	
	L9301	J0JHC0000117	CHIP INDUCTOR	1	
	L9302	J0JHC0000117	CHIP INDUCTOR	1	
	L9800	G1C6R8Z00010	INDUCTION COIL	1	
	L9801	G1C100MA0416	INDUCTION COIL	1	
	L9802	G1C100MA0416	INDUCTION COIL	1	
	PA5610	K5H4022A0031	FUSE	1	
	Q2101	DSA200100L	TRANSISTOR	1	
	Q2109	DSA200100L	TRANSISTOR	1	
	Q2252	DSA200100L	TRANSISTOR	1	
	Q2253	B1AAF000002	TRANSISTOR	1	PAVCCZ
	Q2254	B1AAF000002	TRANSISTOR	1	PAVCCZ
	Q2255	DSC2001S0L	TRANSISTOR	1	
	Q2301	DSA200100L	TRANSISTOR	1	
	Q2510	DSC200100L	TRANSISTOR	1	
	Q2511	DSC200100L	TRANSISTOR	1	
	Q2512	DSC200100L	TRANSISTOR	1	
	Q3100	B1AAF000002	TRANSISTOR	1	PAVCCZ
	Q3101	B1AAF000002	TRANSISTOR	1	PAVCCZ
	Q3102	DSC200100L	TRANSISTOR	1	
	Q3103	DSC200100L	TRANSISTOR	1	
	Q3104	DSC200100L	TRANSISTOR	1	
	Q3105	DSC200100L	TRANSISTOR	1	
	Q4512	B1HFCFA00026	TRANSISTOR	1	
	Q4513	DSA200100L	TRANSISTOR	1	
	Q4700	DSC200100L	TRANSISTOR	1	
	Q4702	DSC200100L	TRANSISTOR	1	
	Q4704	DSC200100L	TRANSISTOR	1	
	Q5000	DSC200100L	TRANSISTOR	1	
	Q5051	DSA200100L	TRANSISTOR	1	
	Q5100	DSC2001S0L	TRANSISTOR	1	
	Q5101	DSC200100L	TRANSISTOR	1	
	Q5471	DSA200100L	TRANSISTOR	1	
	Q5472	DSC2001S0L	TRANSISTOR	1	
	Q5600	B1MBDDA00003	FET	1	
	Q5601	B1MBEDA00015	FET	1	
	Q5602	DSC2001S0L	TRANSISTOR	1	
	Q5603	DSC2001S0L	TRANSISTOR	1	
	Q5604	B1MBDDA00003	FET	1	
	Q5605	B1MBEDA00015	FET	1	
	Q8400	DSC200100L	TRANSISTOR	1	
	Q8401	DSC200100L	TRANSISTOR	1	
	Q9900	DSC200100L	TRANSISTOR	1	
	Q9901	DSC200100L	TRANSISTOR	1	
	R0900	D0GA680JA015	M 47 OHM, J,0.063W	1	
	R0901	D0GA680JA015	M 47 OHM, J,0.063W	1	
	R0902	EXB28V680JX	RESISTOR ARRAY	1	
	R0903	D0GA680JA015	M 47 OHM, J,0.063W	1	
	R0905	ERJ2GEJ103	M 10KOHM, J,0.063W	1	
	R0910	ERJ2GEJ103	M 10KOHM, J,0.063W	1	
	R0911	ERJ2GEJ103	M 10KOHM, J,0.063W	1	
	R0912	ERJ2GEJ103	M 10KOHM, J,0.063W	1	
	R0913	ERJ2GEJ103	M 10KOHM, J,0.063W	1	
	R0940	D0GA680JA015	M 47 OHM, J,0.063W	1	
	R0941	D0GA680JA015	M 47 OHM, J,0.063W	1	
	R0942	D0GA680JA015	M 47 OHM, J,0.063W	1	

Safety	Ref. No.	Part No.	Part Name & Description	Pcs	Remarks
	R0943	D0GA680JA015	M 47 OHM, J,0.063W	1	
	R0944	D0GA680JA015	M 47 OHM, J,0.063W	1	
	R0945	D0GA680JA015	M 47 OHM, J,0.063W	1	
	R0948	D0GA222JA015	M 2.2KOHM, J,0.063W	1	
	R0949	D0GA222JA015	M 2.2KOHM, J,0.063W	1	
	R0957	ERJ2GEJ102X	M 1K OHM J 1/4W	1	
	R0966	D0GA472JA015	M 4.7KOHM, J,0.063W	1	
	R0967	D0GA472JA015	M 4.7KOHM, J,0.063W	1	
	R0980	D0GA472JA015	M 4.7KOHM, J,0.063W	1	
	R0981	D0GA472JA015	M 4.7KOHM, J,0.063W	1	
	R0982	ERJ2GEJ220	M 22 OHM, J,0.063W	1	
	R0983	ERJ2GEJ220	M 22 OHM, J,0.063W	1	
	R0984	D0GA472JA015	M 4.7KOHM, J,0.063W	1	
	R0985	D0GA472JA015	M 4.7KOHM, J,0.063W	1	
	R1104	D0GA473JA015	M 47 OHM, J,0.063W	1	
	R1179	D1BB7151A055	M7.15KOHM, 1/10W	1	
	R1180	ERJ2GEJ102X	M 1K OHM J 1/4W	1	
	R1181	D0GA473JA015	M 47 OHM, J,0.063W	1	
	R1183	D0GA472JA015	M 4.7KOHM, J,0.063W	1	
	R1185	D0GA101JA015	M 100 OHM, J,0.063W	1	
	R1186	D0GA473JA015	M 47 OHM, J,0.063W	1	
	R1187	D0GA273JA015	M 27K OHM J ,0.063W	1	
	R1503	D0GA473JA015	M 47 OHM, J,0.063W	1	
	R1518	D0GA683JA015	M 68KOHM, J,0.063W	1	
	R1519	D0GA473JA015	M 47 OHM, J,0.063W	1	
	R1520	ERJ2GEJ103	M 10KOHM, J,0.063W	1	
	R1521	ERJ2GEJ104	M 100KOHM, J,0.063W	1	
	R1552	D0GA472JA015	M 4.7KOHM, J,0.063W	1	
	R1562	D0GA473JA015	M 47 OHM, J,0.063W	1	
	R1563	D0GA473JA015	M 47 OHM, J,0.063W	1	
	R2053	D1BB1403A055	M 140KOHM, 1/10W	1	
	R2055	D1BB1403A055	M 140KOHM, 1/10W	1	
	R2069	ERJ2GEJ103	M 10KOHM, J,0.063W	1	
	R2070	ERJ2GEJ103	M 10KOHM, J,0.063W	1	
	R2101	D0GA332JA015	M 3.3KOHM, J,0.063W	1	
	R2102	D0GA472JA015	M 4.7KOHM, J,0.063W	1	
	R2103	ERJ2GEJ220	M 22 OHM, J,0.063W	1	
	R2104	D0GA122JA015	M 1.2KOHM, J,0.063W	1	
	R2110	ERJ2GEJ220	M 22 OHM, J,0.063W	1	
	R2121	D0GA681JA015	M680 OHM, J,0.063W	1	
	R2135	ERJ2GEJ102X	M 1K OHM J 1/4W	1	
	R2139	ERJ2GEJ221	M 220 OHM, J,0.063W	1	
	R2254	D0GA101JA015	M 100 OHM, J,0.063W	1	

Safety	Ref. No.	Part No.	Part Name & Description	Pcs	Remarks
	R2255	D0GA473JA015	M 47 OHM, J,0.063W	1	
	R2256	ERJ2GEJ103	M 10KOHM, J,0.063W	1	
	R2257	D0GA105JA015	M 1M OHM, J,0.063W	1	
	R2258	D0GA101JA015	M 100 OHM, J,0.063W	1	
	R2259	D0GA101JA015	M 100 OHM, J,0.063W	1	
	R2260	ERJ2GEJ103	M 10KOHM, J,0.063W	1	
	R2263	ERJ2GEJ103	M 10KOHM, J,0.063W	1	
	R2264	D0GA101JA015	M 100 OHM, J,0.063W	1	
	R2301	ERJ2GEJ103	M 10KOHM, J,0.063W	1	
	R2302	EXB28V220J	RESISTOR ARRAY	1	
	R2304	D0GA473JA015	M 47 OHM, J,0.063W	1	
	R2307	D0GA472JA015	M 4.7KOHM, J,0.063W	1	
	R2308	ERJ2GEJ221	M 220 OHM, J,0.063W	1	
	R2309	D0GA222JA015	M 2.2KOHM, J,0.063W	1	
	R2310	D0GA222JA015	M 2.2KOHM, J,0.063W	1	
	R2318	ERJ8GEYJ3R3V	M 3.3 OHM, J,1/8W	1	
	R2319	ERJ8GEYJ3R3V	M 3.3 OHM, J,1/8W	1	
	R2320	ERJ8GEYJ3R3V	M 3.3 OHM, J,1/8W	1	
	R2321	ERJ8GEYJ3R3V	M 3.3 OHM, J,1/8W	1	
	R2330	D0GAR00Z0001	C 0 OHM, 0.063W	1	
	R2331	D0GAR00Z0001	C 0 OHM, 0.063W	1	
	R2510	ERJ3GEYJ470	M 47 OHM, J,1/16W	1	
	R2511	D0GB104JA041	M 100KOHM J 1/10W	1	
	R2512	D0GB224JA041	M 2.2KOHM, J,1/10W	1	
	R2513	ERJ3GEYJ223	M 22KOHM, J,1/16W	1	
	R2514	D0GB103JA057	M 10K OHM J 1/10W	1	
	R2515	D0GB473JA057	M 47KOHM, J,1/10W	1	
	R2516	D1BB6800A055	M 680 OHM, 1/10W	1	
	R2517	ERJ3GEYJ223	M 22KOHM, J,1/16W	1	
	R2518	D0GB473JA057	M 47KOHM, J,1/10W	1	
	R2519	D1BB1821A055	M1.82KOHM, 1/10W	1	
	R2750	D0GA101JA015	M 100 OHM, J,0.063W	1	
	R2753	D0GB103JA057	M 10K OHM J 1/10W	1	
	R2816	D0GA473JA015	M 47 OHM, J,0.063W	1	
	R2820	D0GA101JA015	M 100 OHM, J,0.063W	1	
	R2823	D0GA473JA015	M 47 OHM, J,0.063W	1	
	R2870	D0GA222JA015	M 2.2KOHM, J,0.063W	1	
	R2871	ERJ2GEJ103	M 10KOHM, J,0.063W	1	
	R2872	D1BA1501A014	M 1.5KOHM, 1/10W	1	PAVCCZ
	R2873	D1BA1002A014	M 10KOHM, 1/10W	1	
	R2875	D0GA390JA015	M 39 OHM, J,0.063W	1	
	R2879	D1BA1803A014	M 18KOHM, J,1/10W	1	
	R2880	D1BB1432A055	M14.3KOHM, 1/10W	1	
	R2881	D1BB6651A055	M6.65KOHM, 1/10W	1	
	R2882	D1BB7151A055	M7.15KOHM, 1/10W	1	
	R2883	D1BB1741A055	M 1.74KOHM, 1/16W	1	
	R2914	ERJ2GEJ103	M 10KOHM, J,0.063W	1	
	R2918	D0GAR00Z0001	C 0 OHM, 0.063W	1	

Safety	Ref. No.	Part No.	Part Name & Description	Pcs	Remarks
	R2926	D0GA680JA015	M 47 OHM, J,0.063W	1	
	R3003	ERJ2GEJ104	M 100KOHM, J,0.063W	1	
	R3004	ERJ2GEJ221	M 220 OHM, J,0.063W	1	
	R3005	ERJ2GEJ221	M 220 OHM, J,0.063W	1	
	R3012	ERJ2GEJ221	M 220 OHM, J,0.063W	1	
	R3013	ERJ2GEJ221	M 220 OHM, J,0.063W	1	
	R3106	D0GA333JA015	M 33KOHM, J,0.063W	1	
	R3107	D0GA333JA015	M 33KOHM, J,0.063W	1	
	R3108	D0GA101JA015	M 100 OHM, J,0.063W	1	
	R3109	ERJ6ENF1500	M 150 OHM, 1/10W	1	
	R3110	ERJ6ENF1500	M 150 OHM, 1/10W	1	
	R3117	ERJ2GEJ221	M 220 OHM, J,0.063W	1	
	R3120	EXB28V221J	RESISTOR ARRAY	1	
	R3128	ERJ2GEJ104	M 100KOHM, J,0.063W	1	
	R3129	ERJ2GEJ104	M 100KOHM, J,0.063W	1	
	R3130	ERJ6RED750	M 75 OHM, 1/10W	1	
	R3131	ERJ6ENF1500	M 150 OHM, 1/10W	1	
	R3132	ERJ6ENF1500	M 150 OHM, 1/10W	1	
	R3133	ERJ6ENF1500	M 150 OHM, 1/10W	1	
	R3134	ERJ6ENF1500	M 150 OHM, 1/10W	1	
	R3135	ERJ6ENF1500	M 150 OHM, 1/10W	1	
	R3136	ERJ6ENF1500	M 150 OHM, 1/10W	1	
	R3137	ERJ6RED750	M 75 OHM, 1/10W	1	
	R3138	ERJ6ENF1500	M 150 OHM, 1/10W	1	
	R3139	ERJ6ENF1500	M 150 OHM, 1/10W	1	
	R3140	ERJ6ENF1500	M 150 OHM, 1/10W	1	
	R3141	ERJ6ENF1500	M 150 OHM, 1/10W	1	
	R3142	ERJ6ENF1500	M 150 OHM, 1/10W	1	
	R3143	ERJ6ENF1500	M 150 OHM, 1/10W	1	
	R3144	ERJ6ENF1500	M 150 OHM, 1/10W	1	
	R3145	ERJ6ENF1500	M 150 OHM, 1/10W	1	
	R3146	ERJ6ENF1500	M 150 OHM, 1/10W	1	
	R3147	ERJ6ENF1500	M 150 OHM, 1/10W	1	
	R3150	ERJ2GEJ221	M 220 OHM, J,0.063W	1	
	R3151	ERJ2GEJ221	M 220 OHM, J,0.063W	1	
	R3152	ERJ2GEJ221	M 220 OHM, J,0.063W	1	
	R3153	ERJ2GEJ221	M 220 OHM, J,0.063W	1	
	R3154	EXB28V221J	RESISTOR ARRAY	1	
	R3157	EXB28V221J	RESISTOR ARRAY	1	
	R3161	ERJ2GEJ104	M 100KOHM, J,0.063W	1	
	R3162	ERJ2GEJ104	M 100KOHM, J,0.063W	1	
	R3163	ERJ2GEJ104	M 100KOHM, J,0.063W	1	
	R3164	ERJ2GEJ104	M 100KOHM, J,0.063W	1	
	R3165	D0GA333JA015	M 33KOHM, J,0.063W	1	
	R3166	D0GA333JA015	M 33KOHM, J,0.063W	1	
	R3167	D0GA333JA015	M 33KOHM, J,0.063W	1	
	R3168	D0GA333JA015	M 33KOHM, J,0.063W	1	
	R3169	D0GA222JA015	M 2.2KOHM, J,0.063W	1	
	R3170	D0GA222JA015	M 2.2KOHM, J,0.063W	1	
	R3171	D0GA222JA015	M 2.2KOHM, J,0.063W	1	

Safety	Ref. No.	Part No.	Part Name & Description	Pcs	Remarks
	R3172	D0GA222JA015	M 2.2KOHM, J,0.063W	1	
	R3173	EXB28V221J	RESISTOR ARRAY	1	
	R3177	EXB28V331J	RESISTOR ARRAY	1	
	R3181	ERJ6RED750	M 75 OHM, 1/10W	1	
	R3182	ERJ6RED750	M 75 OHM, 1/10W	1	
	R3183	ERJ6RED750	M 75 OHM, 1/10W	1	
	R3184	ERJ2GEJ104	M 100KOHM, J,0.063W	1	
	R3185	ERJ2GEJ104	M 100KOHM, J,0.063W	1	
	R3186	D0GA333JA015	M 33KOHM, J,0.063W	1	
	R3187	D0GA333JA015	M 33KOHM, J,0.063W	1	
	R3190	D0GA222JA015	M 2.2KOHM, J,0.063W	1	
	R3191	D0GA222JA015	M 2.2KOHM, J,0.063W	1	
	R3192	EXB28V820JX	RESISTOR ARRAY	1	
	R3194	D0GA331JA015	M 330 OHM, J,0.063W	1	
	R3195	D0GA331JA015	M 330 OHM, J,0.063W	1	
	R3197	D0GA680JA015	M 47 OHM, J,0.063W	1	
	R3198	D0GA680JA015	M 47 OHM, J,0.063W	1	
	R3199	ERJ6ENF1500	M 150 OHM, 1/10W	1	
	R3200	ERJ6ENF1500	M 150 OHM, 1/10W	1	
	R3201	ERJ6ENF1500	M 150 OHM, 1/10W	1	
	R3202	ERJ6ENF1500	M 150 OHM, 1/10W	1	
	R3203	D1BA2152A014	M21.5KOHM, 1/10W	1	PAVCCZ
	R3204	D1BA2152A014	M21.5KOHM, 1/10W	1	PAVCCZ
	R3205	D1BA1302A014	M 13KOHM, 1/10W	1	PAVCCZ
	R3206	D1BA1302A014	M 13KOHM, 1/10W	1	PAVCCZ
	R3207	D0GA273JA015	M 27K OHM J, 0.063W	1	
	R3208	D0GA273JA015	M 27K OHM J, 0.063W	1	
	R3209	D0GA680JA015	M 47 OHM, J,0.063W	1	
	R3210	ERJ2GEJ220	M 22 OHM, J,0.063W	1	
	R3211	ERJ2GEJ220	M 22 OHM, J,0.063W	1	
	R3212	D0GA680JA015	M 47 OHM, J,0.063W	1	
	R4003	D0GA473JA015	M 47 OHM, J,0.063W	1	
	R4004	D0GA473JA015	M 47 OHM, J,0.063W	1	
	R4005	D0GA473JA015	M 47 OHM, J,0.063W	1	
	R4006	D0GA473JA015	M 47 OHM, J,0.063W	1	
	R4011	D0GA473JA015	M 47 OHM, J,0.063W	1	
	R4548	ERJ2GEJ220	M 22 OHM, J,0.063W	1	
	R4549	D0GA151JA015	M 150 OHM, J,0.063W	1	
	R4550	D0GA151JA015	M 150 OHM, J,0.063W	1	
	R4551	D0GA151JA015	M 150 OHM, J,0.063W	1	
	R4552	D0GA560JA015	M 56 OHM, J,0.063W	1	
	R4553	ERJ2GEJ103	M 10KOHM, J,0.063W	1	
	R4554	ERJ2GEJ102X	M 1K OHM J 1/4W	1	
	R4556	ERJ2GEJ103	M 10KOHM, J,0.063W	1	
	R4560	D0GA473JA015	M 47 OHM, J,0.063W	1	
	R4651	ERJ2GEJ220	M 22 OHM, J,0.063W	1	
	R4655	ERJ2GEJ220	M 22 OHM, J,0.063W	1	

Safety	Ref. No.	Part No.	Part Name & Description	Pcs	Remarks
	R4659	ERJ2GEJ220	M 22 OHM, J,0.063W	1	
	R4663	ERJ2GEJ220	M 22 OHM, J,0.063W	1	
	R4666	D0GA330JA015	M 33 OHM, J,0.063W	1	
	R4668	D0GA330JA015	M 33 OHM, J,0.063W	1	
	R4670	D0GA330JA015	M 33 OHM, J,0.063W	1	
	R4672	D0GA330JA015	M 33 OHM, J,0.063W	1	
	R4676	ERJ2GEJ102X	M 1K OHM J 1/4W	1	
	R4677	D0GA122JA015	M 1.2KOHM, J,0.063W	1	
	R4702	ERJ2GEJ103	M 10KOHM, J,0.063W	1	
	R4703	D0GA330JA015	M 33 OHM, J,0.063W	1	
	R4704	D0GA473JA015	M 47 OHM, J,0.063W	1	
	R4708	ERJ2GEJ103	M 10KOHM, J,0.063W	1	
	R4709	ERJ2GEJ103	M 10KOHM, J,0.063W	1	
	R4711	ERJ2GEJ102X	M 1K OHM J 1/4W	1	
	R4712	D0GA473JA015	M 47 OHM, J,0.063W	1	
	R4715	ERJ2GEJ103	M 10KOHM, J,0.063W	1	
	R4716	D0GA330JA015	M 33 OHM, J,0.063W	1	
	R4717	D0GA473JA015	M 47 OHM, J,0.063W	1	
	R4721	ERJ2GEJ103	M 10KOHM, J,0.063W	1	
	R4722	ERJ2GEJ103	M 10KOHM, J,0.063W	1	
	R4724	ERJ2GEJ102X	M 1K OHM J 1/4W	1	
	R4725	D0GA473JA015	M 47 OHM, J,0.063W	1	
	R4728	ERJ2GEJ103	M 10KOHM, J,0.063W	1	
	R4729	D0GA330JA015	M 33 OHM, J,0.063W	1	
	R4730	D0GA473JA015	M 47 OHM, J,0.063W	1	
	R4734	ERJ2GEJ103	M 10KOHM, J,0.063W	1	
	R4735	ERJ2GEJ103	M 10KOHM, J,0.063W	1	
	R4737	ERJ2GEJ102X	M 1K OHM J 1/4W	1	
	R4738	D0GA473JA015	M 47 OHM, J,0.063W	1	
	R4739	ERJ2GEJ220	M 22 OHM, J,0.063W	1	
	R4752	D0GA680JA015	M 47 OHM, J,0.063W	1	
	R4753	D0GA680JA015	M 47 OHM, J,0.063W	1	
	R4754	D0GA680JA015	M 47 OHM, J,0.063W	1	
	R4755	D0GA680JA015	M 47 OHM, J,0.063W	1	
	R4756	D0GA680JA015	M 47 OHM, J,0.063W	1	
	R4757	D0GA680JA015	M 47 OHM, J,0.063W	1	
	R4763	ERJ2GEJ104	M 100KOHM, J,0.063W	1	
	R4764	ERJ2GEJ104	M 100KOHM, J,0.063W	1	
	R4765	ERJ2GEJ104	M 100KOHM, J,0.063W	1	
	R5005	D0GA473JA015	M 47 OHM, J,0.063W	1	
	R5006	ERJ2GEJ103	M 10KOHM, J,0.063W	1	
	R5007	D0GA473JA015	M 47 OHM, J,0.063W	1	

Safety	Ref. No.	Part No.	Part Name & Description	Pcs	Remarks
	R5008	D0GA822JA015	M8.2KOHM, J,0.063W	1	
	R5050	D0GA473JA015	M 47 OHM, J,0.063W	1	
	R5051	D0GA473JA015	M 47 OHM, J,0.063W	1	
	R5052	D0GA105JA015	M 1M OHM, J,0.063W	1	
	R5061	ERJ6GEYJ150V	M 15 OHM,J,1/10W	1	
	R5065	ERJ2GEJ103	M 10KOHM, J,0.063W	1	
	R5100	D0GA273JA015	M 27K OHM J ,0.063W	1	
	R5101	ERJ2GEJ104	M 100KOHM, J,0.063W	1	
	R5102	ERJ2GEJ104	M 100KOHM, J,0.063W	1	
	R5103	D0GA683JA015	M 68KOHM, J,0.063W	1	
	R5104	D0GA473JA015	M 47 OHM, J,0.063W	1	
	R5106	D0GA683JA015	M 68KOHM, J,0.063W	1	
	R5110	D0GA101JA015	M 100 OHM, J,0.063W	1	
	R5151	D0GA101JA015	M 100 OHM, J,0.063W	1	
	R5152	D0GA222JA015	M 2.2KOHM, J,0.063W	1	
	R5153	D0GA101JA015	M 100 OHM, J,0.063W	1	
	R5154	D0GA470JA015	M 47 OHM, J,0.063W	1	
	R5155	D0GA101JA015	M 100 OHM, J,0.063W	1	
	R5471	D0GA222JA015	M 2.2KOHM, J,0.063W	1	
	R5472	D0GA332JA015	M 3.3KOHM, J,0.063W	1	
	R5473	ERJ2GEJ102X	M 1K OHM J 1/4W	1	
	R5474	ERJ2GEJ103	M 10KOHM, J,0.063W	1	
	R5475	ERJ6GEYJ221V	M 220 OHM,J,1/ 10W	1	
	R5479	ERJ6GEYJ471	M 470 OHM,J,1/ 10W	1	
	R5481	ERJ2GEJ221	M 220 OHM, J,0.063W	1	
	R5485	ERJ6GEYJ104V	M 100KOHM,J,1/ 10W	1	
	R5486	ERJ6GEYJ102V	M 1K OHM J 1/10W	1	
	R5487	ERJ6GEYJ472V	M 4.7K OHM J 1/ 10W	1	
	R5488	ERJ6GEYJ472V	M 4.7K OHM J 1/ 10W	1	
	R5489	ERJ6GEYJ472V	M 4.7K OHM J 1/ 10W	1	
	R5490	ERJ6GEYJ472V	M 4.7K OHM J 1/ 10W	1	
	R5491	ERJ6GEYJ472V	M 4.7K OHM J 1/ 10W	1	
	R5492	ERJ6GEYJ472V	M 4.7K OHM J 1/ 10W	1	
	R5493	ERJ6GEYJ472V	M 4.7K OHM J 1/ 10W	1	
	R5494	ERJ6GEYJ472V	M 4.7K OHM J 1/ 10W	1	
	R5600	D0GA680JA015	M 47 OHM, J,0.063W	1	
	R5601	D1BB8200A087	M 820 OHM, 1/10W	1	
	R5602	D1BB2701A087	M 2.7KOHM, 1/10W	1	
	R5603	D1BB1241A087	M1.24KOHM, 1/10W	1	
	R5604	D1BB2001A087	M 2KOHM, 1/10W	1	
	R5605	D1BB2002A055	M 20KOHM, 1/10W	1	
	R5606	D1BB2402A055	M 24KOHM, 1/10W	1	
	R5607	D0GA223JA015	M 22K OHM J 0.063W	1	
	R5608	D0GA683JA015	M 68KOHM, J,0.063W	1	

Safety	Ref. No.	Part No.	Part Name & Description	Pcs	Remarks
	R5609	ERJ2GEJ103	M 10KOHM, J,0.063W	1	
	R5610	D0GA473JA015	M 47 OHM, J,0.063W	1	
	R5611	D0GA222JA015	M 2.2KOHM, J,0.063W	1	
	R5612	ERJ2GEJ103	M 10KOHM, J,0.063W	1	
	R5613	D0GA473JA015	M 47 OHM, J,0.063W	1	
	R5616	D0GB100JA041	M 10 OHM J 1/10W	1	
	R5617	D0GB100JA041	M 10 OHM J 1/10W	1	
	R5618	D1BB3301A055	M 3.3KOHM, 1/10W	1	
	R5619	D1BB5601A055	M 5.6KOHM, 1/10W	1	
	R5620	D1BB1001A055	M 1KOHM, 1/10W	1	
	R5621	D1BB1001A055	M 1KOHM, 1/10W	1	
	R5622	D1BB2402A055	M 24KOHM, 1/10W	1	
	R5623	D1BB2202A055	M 22KOHM, 1/10W	1	
	R5626	D0GB100JA041	M 10 OHM J 1/10W	1	
	R5627	D0GB100JA041	M 10 OHM J 1/10W	1	
	R5640	ERJ2GEJ103	M 10KOHM, J,0.063W	1	
	R5641	ERJ2GEJ103	M 10KOHM, J,0.063W	1	
	R5642	ERJ2GEJ104	M 100KOHM, J,0.063W	1	
	R5643	ERJ2GEJ103	M 10KOHM, J,0.063W	1	
	R5644	D0GA752JA015	M7.5KOHM, J,0.063W	1	
	R8002	D1BB2402A055	M 24KOHM, 1/10W	1	
	R8003	D1BB1002A055	M 10KOHM, 1/10W	1	
	R8004	D1BB2402A055	M 24KOHM, 1/10W	1	
	R8005	D1BA1001A014	M 1KOHM, 1/10W	1	
	R8006	D1BA1001A014	M 1KOHM, 1/10W	1	
	R8007	D0GA111JA015	M 110 OHM, J,0.063W	1	
	R8008	ERJ2GEJ103	M 10KOHM, J,0.063W	1	
	R8009	D1BA56R0A014	M 56 OHM, 1/10W	1	
	R8010	D1BA3000A014	M 30 OHM J 1/10W	1	
	R8011	D0GB331JA041	M330 OHM J 1/10W	1	
	R8014	ERJ2GEJ103	M 10KOHM, J,0.063W	1	
	R8015	ERJ2GEJ102X	M 1K OHM J 1/4W	1	
	R8017	D0GA471JA015	M 470OHM, J,0.063W	1	
	R8031	D0GA222JA015	M 2.2KOHM, J,0.063W	1	
	R8032	ERJ2GEJ103	M 10KOHM, J,0.063W	1	
	R8211	ERJ2GEJ103	M 10KOHM, J,0.063W	1	
	R8212	ERJ2GEJ103	M 10KOHM, J,0.063W	1	
	R8300	EXB2HV680J	RESISTOR ARRAY	1	
	R8301	ERJ2GEJ103	M 10KOHM, J,0.063W	1	
	R8302	D0GA471JA015	M 470OHM, J,0.063W	1	
	R8303	D0GA680JA015	M 47 OHM, J,0.063W	1	
	R8305	D0GA680JA015	M 47 OHM, J,0.063W	1	
	R8306	D0GA680JA015	M 47 OHM, J,0.063W	1	
	R8310	D0GA680JA015	M 47 OHM, J,0.063W	1	
	R8315	D0GAR00Z0001	C 0 OHM, 0.063W	1	
	R8316	D0GAR00Z0001	C 0 OHM, 0.063W	1	
	R8322	ERJ2GEJ220	M 22 OHM, J,0.063W	1	
	R8323	ERJ2GEJ220	M 22 OHM, J,0.063W	1	
	R8324	D0GA561JA015	M 560OHM, J,0.063W	1	PAVCCZ
	R8325	D0GA561JA015	M 560OHM, J,0.063W	1	PAVCCZ

Safety	Ref. No.	Part No.	Part Name & Description	Pcs	Remarks
	R8326	D0GA472JA015	M 4.7KOHM, J,0.063W	1	
	R8327	D0GA472JA015	M 4.7KOHM, J,0.063W	1	
	R8393	ERJ2GEJ103	M 10KOHM, J,0.063W	1	
	R8394	ERJ2GEJ103	M 10KOHM, J,0.063W	1	
	R8395	ERJ2GEJ103	M 10KOHM, J,0.063W	1	
	R8396	ERJ2GEJ103	M 10KOHM, J,0.063W	1	
	R8397	EXB2HV103JV	RESISTOR ARRAY	1	
	R8400	ERJ2GEJ103	M 10KOHM, J,0.063W	1	
	R8404	EXB2HV680J	RESISTOR ARRAY	1	
	R8406	EXB28V680JX	RESISTOR ARRAY	1	
	R8409	EXB28V680JX	RESISTOR ARRAY	1	
	R8411	D0GA680JA015	M 47 OHM, J,0.063W	1	
	R8413	D0GA680JA015	M 47 OHM, J,0.063W	1	
	R8414	EXB28V151J	RESISTOR ARRAY	1	
	R8415	EXB28V104JX	RESISTOR ARRAY	1	
	R8416	EXB28V151J	RESISTOR ARRAY	1	
	R8417	EXB28V104JX	RESISTOR ARRAY	1	
	R8419	EXB2HV101J	RESISTOR ARRAY	1	
	R8420	EXB2HV101J	RESISTOR ARRAY	1	
	R8422	EXB2HV680J	RESISTOR ARRAY	1	
	R8423	EXB2HV680J	RESISTOR ARRAY	1	
	R8424	EXB28V680JX	RESISTOR ARRAY	1	
	R8425	D0GA680JA015	M 47 OHM, J,0.063W	1	
	R8426	D0GA680JA015	M 47 OHM, J,0.063W	1	
	R8428	D0GA222JA015	M 2.2KOHM, J,0.063W	1	
	R8429	EXB28V473JX	RESISTOR ARRAY	1	
	R8431	ERJ2GEJ103	M 10KOHM, J,0.063W	1	
	R8432	ERJ2GEJ103	M 10KOHM, J,0.063W	1	
	R8433	ERJ8RSJR10	M 1 OHM, 1/8W	1	
	R8434	D0GA473JA015	M 47 OHM, J,0.063W	1	
	R8436	D0GA223JA015	M 22K OHM J 0.063W	1	
	R8437	D0GA223JA015	M 22K OHM J 0.063W	1	
	R8438	ERJ2GEJ103	M 10KOHM, J,0.063W	1	
	R8439	D0GA223JA015	M 22K OHM J 0.063W	1	
	R8440	ERJ2GEJ104	M 100KOHM, J,0.063W	1	
	R8441	D0GA681JA015	M 680 OHM, J,0.063W	1	
	R8445	D0GA680JA015	M 47 OHM, J,0.063W	1	
	R8447	D0GA151JA015	M 150 OHM, J,0.063W	1	
	R8448	D0GA151JA015	M 150 OHM, J,0.063W	1	
	R8449	D0GA151JA015	M 150 OHM, J,0.063W	1	
	R8450	D0GA473JA015	M 47 OHM, J,0.063W	1	
	R8451	ERJ2GEJ103	M 10KOHM, J,0.063W	1	
	R8452	D0GA680JA015	M 47 OHM, J,0.063W	1	
	R8453	D0GA680JA015	M 47 OHM, J,0.063W	1	
	R8454	ERJ2GEJ104	M 100KOHM, J,0.063W	1	
	R8455	ERJ2GEJ104	M 100KOHM, J,0.063W	1	
	R8456	ERJ2GEJ104	M 100KOHM, J,0.063W	1	

Safety	Ref. No.	Part No.	Part Name & Description	Pcs	Remarks
	R8457	ERJ2GEJ103	M 10KOHM, J,0.063W	1	
	R8462	EXB28V680JX	RESISTOR ARRAY	1	
	R8463	D0GA680JA015	M 47 OHM, J,0.063W	1	
	R8464	D0GA680JA015	M 47 OHM, J,0.063W	1	
	R8465	EXB28V680JX	RESISTOR ARRAY	1	
	R8466	ERJ2GEJ103	M 10KOHM, J,0.063W	1	
	R8467	ERJ2GEJ103	M 10KOHM, J,0.063W	1	
	R8468	EXB2HV680J	RESISTOR ARRAY	1	
	R8469	D0GA680JA015	M 47 OHM, J,0.063W	1	
	R8470	ERJ2GEJ103	M 10KOHM, J,0.063W	1	
	R8471	EXB28V103JX	RESISTOR ARRAY	1	
	R8480	D0GA680JA015	M 47 OHM, J,0.063W	1	
	R8481	D0GA223JA015	M 22K OHM J 0.063W	1	
	R8483	D0GA680JA015	M 47 OHM, J,0.063W	1	
	R8484	D0GA680JA015	M 47 OHM, J,0.063W	1	
	R8485	ERJ2GEJ103	M 10KOHM, J,0.063W	1	
	R8488	D0GA680JA015	M 47 OHM, J,0.063W	1	
	R8489	D0GA680JA015	M 47 OHM, J,0.063W	1	
	R8490	D0GA680JA015	M 47 OHM, J,0.063W	1	
	R8491	D0GA680JA015	M 47 OHM, J,0.063W	1	
	R8492	D0GA680JA015	M 47 OHM, J,0.063W	1	
	R8493	D0GA680JA015	M 47 OHM, J,0.063W	1	
	R8494	D0GA680JA015	M 47 OHM, J,0.063W	1	
	R8495	D0GA680JA015	M 47 OHM, J,0.063W	1	
	R8496	D0GA680JA015	M 47 OHM, J,0.063W	1	
	R8497	D0GA680JA015	M 47 OHM, J,0.063W	1	
	R8498	D0GA680JA015	M 47 OHM, J,0.063W	1	
	R8499	D0GA680JA015	M 47 OHM, J,0.063W	1	
	R8500	EXB2HV103JV	RESISTOR ARRAY	1	
	R8501	EXB28V680JX	RESISTOR ARRAY	1	
	R8505	D0GA680JA015	M 47 OHM, J,0.063W	1	
	R8506	D0GA680JA015	M 47 OHM, J,0.063W	1	
	R8507	D0GA680JA015	M 47 OHM, J,0.063W	1	
	R8508	D0GA680JA015	M 47 OHM, J,0.063W	1	
	R8509	D0GA680JA015	M 47 OHM, J,0.063W	1	
	R8510	D0GA680JA015	M 47 OHM, J,0.063W	1	
	R8511	EXB28V103JX	RESISTOR ARRAY	1	
	R8515	ERJ2GEJ103	M 10KOHM, J,0.063W	1	
	R8516	ERJ2GEJ103	M 10KOHM, J,0.063W	1	
	R8606	D0GA222JA015	M 2.2KOHM, J,0.063W	1	
	R8610	D0GA680JA015	M 47 OHM, J,0.063W	1	
	R8616	D0GA222JA015	M 2.2KOHM, J,0.063W	1	
	R8617	D0GA222JA015	M 2.2KOHM, J,0.063W	1	

Safety	Ref. No.	Part No.	Part Name & Description	Pcs	Remarks
	R8618	ERJ2GEJ103	M 10KOHM, J,0.063W	1	
	R8622	D0GA680JA015	M 47 OHM, J,0.063W	1	
	R8627	ERJ2GEJ103	M 10KOHM, J,0.063W	1	
	R8628	ERJ2GEJ103	M 10KOHM, J,0.063W	1	
	R8631	ERJ2GEJ103	M 10KOHM, J,0.063W	1	
	R8632	ERJ2GEJ103	M 10KOHM, J,0.063W	1	
	R8633	D0GA222JA015	M 2.2KOHM, J,0.063W	1	
	R8636	D0GA680JA015	M 47 OHM, J,0.063W	1	
	R8638	ERJ2GEJ103	M 10KOHM, J,0.063W	1	
	R8639	ERJ2GEJ103	M 10KOHM, J,0.063W	1	
	R8645	D0GA680JA015	M 47 OHM, J,0.063W	1	
	R8646	ERJ2GEJ103	M 10KOHM, J,0.063W	1	
	R8649	ERJ2GEJ103	M 10KOHM, J,0.063W	1	
	R8652	ERJ2GEJ103	M 10KOHM, J,0.063W	1	
	R8660	EXB2HV680J	RESISTOR ARRAY	1	
	R8661	D0GA222JA015	M 2.2KOHM, J,0.063W	1	
	R8664	ERJ2GEJ103	M 10KOHM, J,0.063W	1	
	R8669	ERJ2GEJ103	M 10KOHM, J,0.063W	1	
	R8671	D0GA222JA015	M 2.2KOHM, J,0.063W	1	
	R8733	D1BB1600A055	M 160 OHM, 1/10W	1	
	R8824	D1BA6201A014	M 6.2KOHM, 1/16W	1	
	R8856	D0GA473JA015	M 47 OHM, J,0.063W	1	
	R8857	D0GA680JA015	M 47 OHM, J,0.063W	1	
	R8859	D0GA680JA015	M 47 OHM, J,0.063W	1	
	R8860	D0GA680JA015	M 47 OHM, J,0.063W	1	
	R8861	D0GA680JA015	M 47 OHM, J,0.063W	1	
	R8862	D0GA680JA015	M 47 OHM, J,0.063W	1	
	R8863	D0GA680JA015	M 47 OHM, J,0.063W	1	
	R8867	ERJ2GEJ103	M 10KOHM, J,0.063W	1	
	R8868	D0GA330JA015	M 33 OHM, J,0.063W	1	
	R8869	ERJ2GEJ103	M 10KOHM, J,0.063W	1	
	R8870	ERJ2GEJ103	M 10KOHM, J,0.063W	1	
	R8872	D0GA330JA015	M 33 OHM, J,0.063W	1	
	R8873	D0GA330JA015	M 33 OHM, J,0.063W	1	
	R8874	D0GA330JA015	M 33 OHM, J,0.063W	1	
	R8875	D0GA330JA015	M 33 OHM, J,0.063W	1	
	R8876	D0GA330JA015	M 33 OHM, J,0.063W	1	
	R8877	D0GA330JA015	M 33 OHM, J,0.063W	1	
	R8878	ERJ2GEJ103	M 10KOHM, J,0.063W	1	
	R8879	EXB28V103JX	RESISTOR ARRAY	1	
	R8890	ERJ2GEJ103	M 10KOHM, J,0.063W	1	
	R8900	D0GA680JA015	M 47 OHM, J,0.063W	1	

Safety	Ref. No.	Part No.	Part Name & Description	Pcs	Remarks
	R8918	EXB2HV680J	RESISTOR ARRAY	1	
	R8919	EXB2HV680J	RESISTOR ARRAY	1	
	R8920	D0GA222JA015	M 2.2KOHM, J,0.063W	1	
	R8922	EXB2HVR000	RESISTOR ARRAY	1	
	R8923	D0GA680JA015	M 47 OHM, J,0.063W	1	
	R8924	D0GA680JA015	M 47 OHM, J,0.063W	1	
	R8925	D0GA680JA015	M 47 OHM, J,0.063W	1	
	R8926	D0GA680JA015	M 47 OHM, J,0.063W	1	
	R8927	D0GA680JA015	M 47 OHM, J,0.063W	1	
	R8928	D0GA680JA015	M 47 OHM, J,0.063W	1	
	R8950	D0GA472JA015	M 4.7KOHM, J,0.063W	1	
	R9014	D1BB5601A055	M 5.6KOHM, 1/10W	1	
	R9016	D0GA2R2JA014	M 2.2OHM, J,0.063W	1	
	R9017	D1BB4701A055	M 4.7KOHM, 1/10W	1	
	R9019	D0GA2R2JA014	M 2.2OHM, J,0.063W	1	
	R9030	ERJ6GEYJ472V	M 4.7K OHM J 1/10W	1	
	R9031	ERJ6GEYJ331V	M 330 OHM J 1/10W	1	
	R9035	D0GA332JA015	M 3.3KOHM, J,0.063W	1	
	R9039	D0GA473JA015	M 47 OHM, J,0.063W	1	
	R9040	D0GA472JA015	M 4.7KOHM, J,0.063W	1	
	R9054	D0GAR00Z0001	C 0 OHM, 0.063W	1	
	R9058	D0GAR00Z0001	C 0 OHM, 0.063W	1	
	R9103	D0GA101JA015	M 100 OHM, J,0.063W	1	
	R9104	D0GA101JA015	M 100 OHM, J,0.063W	1	
	R9105	D0GA473JA015	M 47 OHM, J,0.063W	1	
	R9107	D0GA332JA015	M 3.3KOHM, J,0.063W	1	
	R9120	D0GA101JA015	M 100 OHM, J,0.063W	1	
	R9145	D0GA101JA015	M 100 OHM, J,0.063W	1	
	R9190	D0GA101JA015	M 100 OHM, J,0.063W	1	
	R9191	D0GA101JA015	M 100 OHM, J,0.063W	1	
	R9198	EXB28V101JX	RESISTOR ARRAY	1	
	R9203	D0GA272JA015	M 2.7KOHM, J,0.063W	1	
	R9205	D0GA333JA015	M 33KOHM, J,0.063W	1	
	R9206	D0GA563JA015	M 56KOHM, J,0.063W	1	
	R9208	EXB2HV470JV	RESISTOR ARRAY	1	
	R9209	EXB2HV470JV	RESISTOR ARRAY	1	
	R9224	D0GA470JA015	M 47 OHM, J,0.063W	1	
	R9226	D0GA470JA015	M 47 OHM, J,0.063W	1	
	R9247	D0GA470JA015	M 47 OHM, J,0.063W	1	
	R9318	ERJ2GEJ102X	M 1K OHM J 1/4W	1	
	R9320	D0GA152JA015	M 1.5KOHM, J,0.063W	1	
	R9321	D0GA105JA015	M 1M OHM, J,0.063W	1	
	R9323	ERJ2GEJ102X	M 1K OHM J 1/4W	1	
	R9324	D0GB162JA041	N 1.6KOHM J 1/10W	1	
	R9325	D0GB162JA041	N 1.6KOHM J 1/10W	1	

Safety	Ref. No.	Part No.	Part Name & Description	Pcs	Remarks
	R9326	D0GB162JA041	N 1.6KOHM J 1/10W	1	
	R9327	D0GB162JA041	N 1.6KOHM J 1/10W	1	
	R9400	EXB2HV103JV	RESISTOR ARRAY	1	
	R9401	EXB2HV103JV	RESISTOR ARRAY	1	
	R9402	EXB28V103JX	RESISTOR ARRAY	1	
	R9608	EXB2HV470JV	RESISTOR ARRAY	1	
	R9609	EXB2HV470JV	RESISTOR ARRAY	1	
	R9610	EXB2HV470JV	RESISTOR ARRAY	1	
	R9821	D0GA390JA015	M 39 OHM, J,0.063W	1	
	R9872	D1BB3301A055	M 3.3KOHM, 1/10W	1	
	R9873	D1BB1002A055	M 10KOHM, 1/10W	1	
	R9874	D1BB2702A055	M 27KOHM, 1/10W	1	
	R9875	D1BB2002A055	M 20KOHM, 1/10W	1	
	R9877	D1BB4702A055	M 47KOHM, 1/10W	1	
	R9878	D1BB1002A055	M 10KOHM, 1/10W	1	
	R9879	D1BB1502A055	M 15KOHM, 1/10W	1	
	R9903	D0GA472JA015	M 4.7KOHM, J,0.063W	1	
	R9904	ERJ2GEJ104	M 100KOHM, J,0.063W	1	
	R9905	ERJ2GEJ103	M 10KOHM, J,0.063W	1	
	R9906	ERJ2GEJ104	M 100KOHM, J,0.063W	1	
	R9907	D0GA101JA015	M 100 OHM, J,0.063W	1	
	R9908	D1BB1202A055	M 12KOHM, 1/10W	1	
	R9909	D1BB2702A055	M 27KOHM, 1/10W	1	
	R9910	D1BB1002A055	M 10KOHM, 1/10W	1	
	R9920	D0GA390JA015	M 39 OHM, J,0.063W	1	
	RM2510	B3RAD0000168	REMOTE SENSOR	1	
	SN2510	B3JB00000078	IC	1	PAVCCZ
	SW001	K0F122A00031	SWITCH	1	
	SW5150	K0H1BA000445	SWITCH	1	
	SW5151	K0H1BA000445	SWITCH	1	
	SW5152	K0H1BA000445	SWITCH	1	
	SW5153	K0H1BA000445	SWITCH	1	
	SW5154	K0H1BA000445	SWITCH	1	
⚠	TU2901A	ENG37F03KF	TUNER	1	PAVCCZ
	X8000	H0J245500101	CRYSTAL	1	
	X8001	H0J120500062	CRYSTAL	1	
	X8300	H0J410500001	CRYSTAL	1	PAVCCZ
	X9300	H0J200500076	CRYSTAL	1	
	C10	K1MN20BA0231	20P CONNECTOR	1	
	C11	K1MY68BA0345	68P CONNECTOR	1	
	C20	K1MY20BA0345	20P CONNECTOR	1	
	C21	K1MY68BA0345	68P CONNECTOR	1	
	C23	K1KY08AA0719	8P CONNECTOR	1	
	C25	K1KA04BA0107	4P CONNECTOR	1	
	C16002	F1L2J562A022	C 5600UF, K,6.3V	1	
	C16012	F2A2T251A004	E 250UF, 220V	1	
	C16013	F2A2T251A004	E 250UF, 220V	1	
	C16018	F0C2E155A252	E 0.015UF, 250V	1	
	C16024	F1L2J332A022	C 3300UF, K,6.3V	1	
	C16041	F1H1H392A970	C 3900PF, K, 50V	1	
	C16071	F1L2J1020001	C 1000UF, K,6.3V	1	
	C16072	F1L2J1020001	C 1000UF, K,6.3V	1	
	C16091	F1L2J1020001	C 1000UF, K,6.3V	1	
	C16092	F1L2J1020001	C 1000UF, K,6.3V	1	
	C16101	F1L2J222A022	C 2200UF, K,6.3V	1	
	C16104	F1H1E470A130	C 47UF, K, 25V	1	
	C16105	F1H1E470A130	C 47UF, K, 25V	1	
	C16131	F1K1E475A134	C 4.7UF, Z, 25V	1	
	C16133	F1K1E475A134	C 4.7UF, Z, 25V	1	
	C16135	F1K1E105A029	C 1UF, Z, 25V	1	

Safety	Ref. No.	Part No.	Part Name & Description	Pcs	Remarks
	C16151	F1K1E105A029	C 1UF, Z, 25V	1	
	C16152	F1K1E475A134	C 4.7UF, Z, 25V	1	
	C16153	F1K1E475A134	C 4.7UF, Z, 25V	1	
	C16154	F1K1E475A134	C 4.7UF, Z, 25V	1	
	C16191	F1K1E475A134	C 4.7UF, Z, 25V	1	
	C16192	F1H1E104A129	C 0.1UF, 25V	1	
	C16193	EEUFC1E470	E 47UF, 25V	1	
	C16195	F1K1E105A029	C 1UF, Z, 25V	1	
	C16201	F0C2E405A252	E 0.040UF, 250V	1	
	C16202	F0C2E405A252	E 0.040UF, 250V	1	
	C16242	F1H1C105A145	C 0.01UF, K, 16V	1	
	C16243	F1H1H103A970	C 0.001UF, K, 50V	1	
	C16244	F1J1A106A087	C 0.010UF, K, 10V	1	
	C16251	F1H1C105A145	C 0.01UF, K, 16V	1	
	C16252	F1K1E105A029	C 1UF, Z, 25V	1	
	C16271	EEUFC1E221	E 220UF, 25V	1	
	C16280	F1K1E105A029	C 1UF, Z, 25V	1	
	C16285	F1H1H104A970	C 0.1UF, K, 50V	1	
	C16286	F1H1H104A970	C 0.1UF, K, 50V	1	
	C16287	F1H1H104A970	C 0.1UF, K, 50V	1	
	C16314	F2A2T251A004	E 250UF, 220V	1	
	C16315	ECJ1VB1A105K	C 0.01UF, Z, 50V	1	
	C16316	F1H1C104A143	C 0.1UF, K, 16V	1	
	C16317	ECJ1VB1A105K	C 0.01UF, Z, 50V	1	
	C16318	F1J1H104A835	C 0.10UF, 50V	1	
	C16319	F1J1H104A835	C 0.10UF, 50V	1	
	C16328	F2A2C221A195	E 2200UF, 160V	1	
	C16331	F0C2E105A252	E 0.010UF, 250V	1	
	C16401	F1L2J562A022	C 5600UF, K,6.3V	1	
	C16412	F2A2T251A004	E 250UF, 220V	1	
	C16413	F0C2E155A252	E 0.015UF, 250V	1	
	C16414	F2A2T251A004	E 250UF, 220V	1	
	C16417	F2A2T251A004	E 250UF, 220V	1	
	C16421	F1L2J562A022	C 5600UF, K,6.3V	1	
	C16441	F1H1H392A970	C 3900PF, K, 50V	1	
	C16451	F1H1H392A970	C 3900PF, K, 50V	1	
	C16460	F1E2J222A002	C 2200PF, 600V	1	
	C16461	F1L2J1020001	C 1000UF, K,6.3V	1	
	C16471	F1L2J1020001	C 1000UF, K,6.3V	1	
	C16472	F1K1E105A029	C 1UF, Z, 25V	1	
	C16481	F1L2J1020001	C 1000UF, K,6.3V	1	
	C16490	F1H1C105A145	C 0.01UF, K, 16V	1	
	C16491	F1L2J1020001	C 1000UF, K,6.3V	1	
	C16501	F1K1E105A029	C 1UF, Z, 25V	1	
	C16502	F1K1E475A134	C 4.7UF, Z, 25V	1	
	C16503	F2A1E471A102	E 470UF, 25V	1	
	C16504	F1K1E475A134	C 4.7UF, Z, 25V	1	
	C16505	F1K1E105A029	C 1UF, Z, 25V	1	
	C16521	F1K1E105A029	C 1UF, Z, 25V	1	
	C16522	F1K1E475A134	C 4.7UF, Z, 25V	1	
	C16523	F2A1E471A102	E 470UF, 25V	1	
	C16524	F1K1E475A134	C 4.7UF, Z, 25V	1	
	C16525	F1K1E475A134	C 4.7UF, Z, 25V	1	
	C16534	F1K1E105A029	C 1UF, Z, 25V	1	
	C16561	F1J1A106A087	C 0.010UF, K, 10V	1	
	C16562	F1H1C105A145	C 0.01UF, K, 16V	1	
	C16564	F1H1C105A145	C 0.01UF, K, 16V	1	
	C16565	F1H1H103A970	C 0.001UF, K, 50V	1	
	C16566	F1H1H103A970	C 0.001UF, K, 50V	1	
	C16581	F1K1E105A029	C 1UF, Z, 25V	1	
	C16582	F1H1C105A145	C 0.01UF, K, 16V	1	
	C16593	F1H1H102A971	C 1000PF, K, 50V	1	
	C16602	F1H1H220A971	C 22PF, K, 50V	1	
	C16603	F1K2J102A014	C 1000UF, K,6.3V	1	
	C16604	F1K2J102A014	C 1000UF, K,6.3V	1	
	C16608	F1H1H221A971	C 220PF, K, 50V	1	
	C16632	F0C2E405A252	E 0.040UF, 250V	1	
	C16633	F0C2E405A252	E 0.040UF, 250V	1	
	C16641	F1K2J222A014	C 2200UF, K,6.3V	1	

Safety	Ref. No.	Part No.	Part Name & Description	Pcs	Remarks
	C16642	F1L2J562A022	C 5600UF, K, 6.3V	1	
	C16645	F1K2J102A014	C 1000UF, K, 6.3V	1	
	C16646	F1K2J102A014	C 1000UF, K, 6.3V	1	
	C16661	F1K2J102A038	C 1000UF, K, 6.3V	1	
	C16662	F1K2J102A038	C 1000UF, K, 6.3V	1	
	C16664	F1H1H820A971	C 82UF, 50V	1	
	C16665	F1H1H820A971	C 82UF, 50V	1	
	C16666	F1H1H820A971	C 82UF, 50V	1	
	C16668	F1H1H221A971	C 220UF, K, 50V	1	
	C16675	F1H1H391A971	C 391UF, 50V	1	
	C16684	F1H1H104A970	C 0.1UF, K, 50V	1	
	C16685	F1H1H104A970	C 0.1UF, K, 50V	1	
	C16691	F2A2C101A097	E 1000UF, 160V	1	
	C16692	F1H1H104A970	C 0.1UF, K, 50V	1	
	C16707	F1H1H220A971	C 22PF, K, 50V	1	
	C16708	F1H1H104A970	C 0.1UF, K, 50V	1	
	C16721	F2A1H820A115	E 82UF, 50V	1	
	C16723	F1K1E105A029	C 1UF, Z, 25V	1	
	C16724	F1K1E475A134	C 4.7UF, Z, 25V	1	
	C16753	F1K1E475A134	C 4.7UF, Z, 25V	1	
	C16755	F1K1E475A134	C 4.7UF, Z, 25V	1	
	C16756	F1K1E475A134	C 4.7UF, Z, 25V	1	
	C16771	F1H1C105A145	C 0.01UF, K, 16V	1	
	C16773	F1K1E105A029	C 1UF, Z, 25V	1	
	C16791	EEUFC1E221	E 220UF, 25V	1	
	C16793	EEUFC1E221	E 220UF, 25V	1	
	C16794	F1J1A106A087	C 0.010UF, K, 10V	1	
	C16795	F2A1E471A102	E 470UF, 25V	1	
	C16796	F2A1E471A102	E 470UF, 25V	1	
	C16797	F1H1H104A970	C 0.1UF, K, 50V	1	
	C16813	F2A2T221A009	E 220UF, 220V	1	
	C16842	F2A2C101A097	E 1000UF, 160V	1	
	C16843	F1J1H104A835	C 0.10UF, 50V	1	
	C16844	F1J1H104A835	C 0.10UF, 50V	1	
	C16854	F1J1H104A835	C 0.10UF, 50V	1	
	C16856	ECJ1VB1A105K	C 0.01UF, Z, 50V	1	
	C16857	F1H1C104A143	C 0.1UF, K, 16V	1	
	C16858	ECJ1VB1A105K	C 0.01UF, Z, 50V	1	
	C16859	F1J1H104A835	C 0.10UF, 50V	1	
	C16860	ECJ1VB1A105K	C 0.01UF, Z, 50V	1	
	C16861	F1H1C104A143	C 0.1UF, K, 16V	1	
	C16862	ECJ1VB1A105K	C 0.01UF, Z, 50V	1	
	C16863	F1J1H104A835	C 0.10UF, 50V	1	
	C16864	F1J1H104A835	C 0.10UF, 50V	1	
	C16891	F1K1E105A029	C 1UF, Z, 25V	1	
	C16902	F1E2J332A002	C 3300PF, 600V	1	
	C17101	F1L2A334A034	E 3300UF, 100V	1	PAVCCZ
	C17103	F1H1C104A143	C 0.1UF, K, 16V	1	
	C17104	ECJ1VB1A105K	C 0.01UF, Z, 50V	1	
	C17105	F1L2A334A034	E 3300UF, 100V	1	PAVCCZ
	C17107	ECJ1VB1A105K	C 0.01UF, Z, 50V	1	
	C17109	F1L2A334A034	E 3300UF, 100V	1	PAVCCZ
	C17110	ECJ1VB1A105K	C 0.01UF, Z, 50V	1	
	C17111	F1L2A334A034	E 3300UF, 100V	1	PAVCCZ
	C17113	ECJ1VB1A105K	C 0.01UF, Z, 50V	1	
	C17115	F1L2A334A034	E 3300UF, 100V	1	PAVCCZ
	C17116	ECJ1VB1A105K	C 0.01UF, Z, 50V	1	
	C17117	F1L2A334A034	E 3300UF, 100V	1	PAVCCZ
	C17119	ECJ1VB1A105K	C 0.01UF, Z, 50V	1	
	C17121	F1L2A334A034	E 3300UF, 100V	1	PAVCCZ
	C17122	ECJ1VB1A105K	C 0.01UF, Z, 50V	1	
	C17124	F1L2A334A034	E 3300UF, 100V	1	PAVCCZ
	C17125	ECJ1VB1A105K	C 0.01UF, Z, 50V	1	
	C17141	F1H1H101A971	C 100UF, 50V	1	
	C17202	F1H1C104A143	C 0.1UF, K, 16V	1	
	C17203	F1H1C104A143	C 0.1UF, K, 16V	1	
	C17205	F1L2A334A034	E 3300UF, 100V	1	PAVCCZ
	C17206	ECJ1VB1A105K	C 0.01UF, Z, 50V	1	
	C17207	F1L2A334A034	E 3300UF, 100V	1	PAVCCZ
	C17209	ECJ1VB1A105K	C 0.01UF, Z, 50V	1	
	C17210	F1L2A334A034	E 3300UF, 100V	1	PAVCCZ
	C17212	ECJ1VB1A105K	C 0.01UF, Z, 50V	1	

Safety	Ref. No.	Part No.	Part Name & Description	Pcs	Remarks
	C17213	F1L2A334A034	E 3300UF, 100V	1	PAVCCZ
	C17215	ECJ1VB1A105K	C 0.01UF, Z, 50V	1	
	C17217	F1L2A334A034	E 3300UF, 100V	1	PAVCCZ
	C17218	ECJ1VB1A105K	C 0.01UF, Z, 50V	1	
	C17219	F1L2A334A034	E 3300UF, 100V	1	PAVCCZ
	C17221	ECJ1VB1A105K	C 0.01UF, Z, 50V	1	
	C17223	F1L2A334A034	E 3300UF, 100V	1	PAVCCZ
	C17224	ECJ1VB1A105K	C 0.01UF, Z, 50V	1	
	C17241	F1H1H101A971	C 100UF, 50V	1	
	CB1	K1MY55B00002	55P CONNECTOR	1	
	CB2	K1MY55B00002	55P CONNECTOR	1	
	CB3	K1MY55B00002	55P CONNECTOR	1	
	CB4	K1MY55B00002	55P CONNECTOR	1	
	CB5	K1MY55B00002	55P CONNECTOR	1	
	CB6	K1MY55B00002	55P CONNECTOR	1	
	CB7	K1MY55B00002	55P CONNECTOR	1	
	CB8	K1MY55B00002	55P CONNECTOR	1	
	CB9	K1MY55B00002	55P CONNECTOR	1	
	CB10	K1MY55B00002	55P CONNECTOR	1	
	CB11	K1MY55B00002	55P CONNECTOR	1	
	CB12	K1MY55B00002	55P CONNECTOR	1	
	CB13	K1MY55B00002	55P CONNECTOR	1	
	CB14	K1MY55B00002	55P CONNECTOR	1	
	CB15	K1MY55B00002	55P CONNECTOR	1	
	D16001	B0FCCN000003	DIODE	1	PAVCCZ
	D16021	B0FCCN000003	DIODE	1	PAVCCZ
	D16022	B0FCCN000003	DIODE	1	PAVCCZ
	D16032	B0ACCJ000048	DIODE	1	
	D16041	B0FCCP000001	DIODE	1	
	D16050	B0ECKP000055	DIODE	1	
	D16051	B0FCCN000002	DIODE	1	
	D16101	B0JCMC000093	DIODE	1	
	D16131	B0ECKP000055	DIODE	1	
	D16151	B0ECKP000055	DIODE	1	
	D16152	B0ECKP000055	DIODE	1	
	D16191	B0ECKP000055	DIODE	1	
	D16192	B0ACCJ000048	DIODE	1	
	D16196	DZ2J200M0L	ZENER DIODE	1	
	D16253	B3ABB0000210	LED	1	
	D16255	B0ACCJ000048	DIODE	1	
	D16280	B0ACCJ000048	DIODE	1	
	D16281	DZ2J051M0L	ZENER DIODE	1	
	D16282	DZ2J068M0L	ZENER DIODE	1	PAVCCZ
	D16285	B0ADEJ000035	ZENER DIODE	1	
	D16286	B0ACCJ000048	DIODE	1	
	D16315	DZ2J150M0L	ZENER DIODE	1	
	D16316	B0ECKP000055	DIODE	1	
	D16317	B0ECKP000055	DIODE	1	
	D16401	DA3DF50ACSLW	ZENER DIODE	1	
	D16402	DA3DF50ACSLW	ZENER DIODE	1	
	D16407	B0JCMC000093	DIODE	1	
	D16411	B0ACCJ000048	DIODE	1	
	D16422	B0FACP000005	DIODE	1	
	D16451	B0ECKP000055	DIODE	1	
	D16461	B0FACP000005	DIODE	1	
	D16466	B0ACCJ000048	DIODE	1	
	D16473	B0ACCJ000048	DIODE	1	
	D16474	B0ACCJ000048	DIODE	1	
	D16475	DZ2J051M0L	ZENER DIODE	1	
	D16476	B0ACCJ000048	DIODE	1	
	D16477	DZ2J047L0L	ZENER DIODE	1	
	D16478	B0ACCJ000048	DIODE	1	
	D16480	B0ACCJ000048	DIODE	1	
	D16482	B0FACP000005	DIODE	1	
	D16490	B0ECKP000055	DIODE	1	
	D16491	B0ECKP000055	DIODE	1	
	D16492	DZ2J047M0L	ZENER DIODE	1	
	D16493	B0ADCJ000100	DIODE	1	
	D16494	B0ADCJ000100	DIODE	1	
	D16497	B0ECKP000055	DIODE	1	

Safety	Ref. No.	Part No.	Part Name & Description	Pcs	Remarks
	D16503	B0ECHR000001	DIODE	1	
	D16522	B0ECHR000001	DIODE	1	
	D16523	B0ECHR000001	DIODE	1	
	D16534	B0ECHR000001	DIODE	1	
	D16536	B0ECHR000001	DIODE	1	
	D16583	B3ABB0000210	LED	1	
	D16602	DZ2J150M0L	ZENER DIODE	1	
	D16604	B0ADCJ000100	DIODE	1	
	D16605	DZ2J051L0L	ZENER DIODE	1	
	D16607	B0ACCJ000048	DIODE	1	
	D16610	B0ACCJ000048	DIODE	1	
	D16618	B0ECKP000055	DIODE	1	
	D16641	B0FBCN000006	DIODE	1	
	D16642	B0FBCN000006	DIODE	1	
	D16645	DZ2J150M0L	ZENER DIODE	1	
	D16646	DZ2J150M0L	ZENER DIODE	1	
	D16647	DZ2J150M0L	ZENER DIODE	1	
	D16648	DZ2J051L0L	ZENER DIODE	1	
	D16649	B0ACCJ000048	DIODE	1	
	D16650	B0ACCJ000048	DIODE	1	
	D16651	DZ2J051M0L	ZENER DIODE	1	
	D16652	B0ECKP000055	DIODE	1	
	D16653	B0ACCJ000048	DIODE	1	
	D16654	B0ACCJ000048	DIODE	1	
	D16662	DZ2J150M0L	ZENER DIODE	1	
	D16663	DZ2J150M0L	ZENER DIODE	1	
	D16664	DZ2J150M0L	ZENER DIODE	1	
	D16669	B0ACCJ000048	DIODE	1	
	D16671	B0ACCJ000048	DIODE	1	
	D16673	B0ECHR000001	DIODE	1	
	D16674	B0ECHR000001	DIODE	1	
	D16677	B0ADEJ000035	ZENER DIODE	1	
	D16678	DZ2J15000L	ZENER DIODE	1	
	D16702	B0ACCJ000048	DIODE	1	
	D16710	DZ2J15000L	ZENER DIODE	1	
	D16711	B0ECHR000001	DIODE	1	
	D16712	DZ2J15000L	ZENER DIODE	1	
	D16713	B0ECHR000001	DIODE	1	
	D16719	B0ECKP000055	DIODE	1	
	D16720	B0ECKP000055	DIODE	1	
	D16721	B0ECHR000001	DIODE	1	
	D16728	B0ECKP000055	DIODE	1	
	D16765	B0ECKP000055	DIODE	1	
	D16790	B0JCME000093	DIODE	1	
	D16791	DZ2J200M0L	ZENER DIODE	1	
	D16792	B0ACCJ000048	DIODE	1	
	D16820	B0ACCJ000048	DIODE	1	
	D16821	DZ2J330M0L	ZENER DIODE	1	
	D16822	B0ADCJ000100	DIODE	1	
	D16824	DZ2J330M0L	ZENER DIODE	1	
	D16825	DZ2J330M0L	ZENER DIODE	1	
	D16859	B0HCKS000002	DIODE	1	
	D16871	DZ2J240M0L	ZENER DIODE	1	
	D16872	DZ2J200M0L	ZENER DIODE	1	
	D16874	DZ2J051M0L	ZENER DIODE	1	
	D16875	B0ACCJ000048	DIODE	1	
	D16893	DZ2J056H0L	ZENER DIODE	1	
	D16901	B0ADCJ000100	DIODE	1	
	D16902	B0ACCJ000048	DIODE	1	
	D16920	B0ADCJ000100	DIODE	1	
	IC16131	C0ZBZ0001707	IC	1	
	IC16151	C0ZBZ0001708	IC	1	
	IC16241	C0JBAU000043	IC	1	
	IC16251	C0BBBA000024	IC	1	
	IC16304	MIP3900MSSCF	IC	1	
	IC16312	C0DBZMC00006	IC	1	
	IC16471	C0DBEYY00114	IC	1	
	IC16490	C0DBZMC00006	IC	1	
	IC16491	NJM2406F	LINEAR IC	1	
	IC16501	C0ZBZ0001708	IC	1	
	IC16521	C0ZBZ0001708	IC	1	
	IC16561	C0JBAU000043	IC	1	

Safety	Ref. No.	Part No.	Part Name & Description	Pcs	Remarks
	IC16562	C0JBAU000043	IC	1	
	IC16563	C0JBAB0000916	IC	1	
	IC16581	C0BBBA000024	IC	1	
	IC16661	C0BBBA000024	IC	1	
	IC16691	C0JBAC0000363	IC	1	
	IC16692	C0DBZYY00352	IC	1	
	IC16724	C0CBADE00049	IC	1	
	IC16771	C0CBADC00072	IC	1	
	IC16773	C0JBAB0000715	IC	1	
	IC16784	MIP3910MSSCF	IC	1	
	IC16785	C0DBZYY00352	IC	1	
	IC16786	MIP3910MSSCF	IC	1	
	IC16787	C0DBZYY00352	IC	1	
	IC16792	NJM2406F	LINEAR IC	1	
	IC16793	C0DBZMC00006	IC	1	
	IC16920	C0BBBA000024	IC	1	
	IC17101	C0JBAU000043	IC	1	
	IC17201	C0JBAU000043	IC	1	
	IC17202	C0JBAZ002692	IC	1	
	L16002	G0C1R0K00014	PEAKING COIL	1	PAVCCZ
	L16003	G0C1R0K00014	PEAKING COIL	1	PAVCCZ
	L16011	G0C1R0K00014	PEAKING COIL	1	PAVCCZ
	L16012	G0C1R0K00014	PEAKING COIL	1	PAVCCZ
	L16303	G0C471MA0049	PEAKING COIL	1	PAVCCZ
	L16401	G0C1R0K00014	PEAKING COIL	1	PAVCCZ
	L16403	G0C1R0K00014	PEAKING COIL	1	PAVCCZ
	L16411	G0C1R0K00014	PEAKING COIL	1	PAVCCZ
	L16412	G0C1R0K00014	PEAKING COIL	1	PAVCCZ
	L16472	G0ZZ00002183	PEAKING COIL	1	
	L16698	G0C681MA0065	PEAKING COIL	1	
	L16851	G0ZZ00002183	PEAKING COIL	1	
	PC16191	B3PBA0000496	IC	1	
	PC16301	B3PBA0000498	IC	1	
	PC16461	B3PBE0000054	IC	1	
	PC16480	B3PBA0000498	IC	1	
	PC16603	B3PBA0000498	IC	1	
	PC16684	B3PBA0000496	IC	1	
	PC16685	B3PBA0000496	IC	1	
	PC16722	B3PBA0000498	IC	1	
	PC16723	B3PBA0000498	IC	1	
	PC16896	B3PBA0000498	IC	1	
	PC16897	B3PBA0000498	IC	1	
	Q16001	B1JBEN000002	TRANSISTOR	1	PAVCCZ
	Q16002	B1JBEN000002	TRANSISTOR	1	PAVCCZ
	Q16022	B1JBEN000002	TRANSISTOR	1	PAVCCZ
	Q16023	B1JBEN000002	TRANSISTOR	1	PAVCCZ
	Q16041	B1JBEN000003	TRANSISTOR	1	PAVCCZ
	Q16051	B1JBEN000003	TRANSISTOR	1	PAVCCZ
	Q16055	B1HFFFA00001	TRANSISTOR	1	
	Q16056	B1HFFFA00001	TRANSISTOR	1	
	Q16101	B1CFRM000008	FET	1	
	Q16102	B1CFRM000008	FET	1	
	Q16141	B1HFFFA00001	TRANSISTOR	1	
	Q16161	B1HFFFA00001	TRANSISTOR	1	
	Q16191	B1HFFFA00001	TRANSISTOR	1	
	Q16251	B1ABCF000231	TRANSISTOR	1	
	Q16280	B1ABCF000231	TRANSISTOR	1	
	Q16401	DG3D5020CSLW	TRANSISTOR	1	
	Q16402	DG3D5020CSLW	TRANSISTOR	1	
	Q16421	B1JAEP000014	TRANSISTOR	1	PAVCCZ
	Q16422	B1JAEP000014	TRANSISTOR	1	PAVCCZ
	Q16441	B1JAEP000013	TRANSISTOR	1	
	Q16451	B1JAEP000012	TRANSISTOR	1	
	Q16471	B1ABCF000231	TRANSISTOR	1	
	Q16490	B1CBGD000001	FET	1	
	Q16501	B1HFFFA00001	TRANSISTOR	1	
	Q16521	B1HFFFA00001	TRANSISTOR	1	
	Q16531	B1HFFFA00001	TRANSISTOR	1	
	Q16551	B1HFFFA00001	TRANSISTOR	1	
	Q16601	B1CERR000042	FET	1	

Safety	Ref. No.	Part No.	Part Name & Description	Pcs	Remarks
	Q16602	DSC2001Q0L	TRANSISTOR	1	
	Q16603	DSA2001S0L	TRANSISTOR	1	
	Q16606	DSC2001Q0L	TRANSISTOR	1	
	Q16607	B1CBGD000001	FET	1	
	Q16608	B1CBGD000001	FET	1	
	Q16621	B1JADN000005	TRANSISTOR	1	PAVCCZ
	Q16645	DSC2001Q0L	TRANSISTOR	1	
	Q16646	DSA2001S0L	TRANSISTOR	1	
	Q16647	B1CBGD000001	FET	1	
	Q16649	B1ABCN000007	TRANSISTOR	1	
	Q16660	B1CERR000042	FET	1	
	Q16661	B1JAER000010	TRANSISTOR	1	
	Q16662	DSC2001Q0L	TRANSISTOR	1	
	Q16663	DSA2001S0L	TRANSISTOR	1	
	Q16668	DSC2001Q0L	TRANSISTOR	1	
	Q16670	B1ADCN000007	TRANSISTOR	1	
	Q16671	B1ABCF000231	TRANSISTOR	1	
	Q16675	B1ADCN000007	TRANSISTOR	1	
	Q16676	B1ABCF000231	TRANSISTOR	1	
	Q16677	DSC2001Q0L	TRANSISTOR	1	
	Q16678	B1ABCF000231	TRANSISTOR	1	
	Q16701	B1ADCN000007	TRANSISTOR	1	
	Q16702	B1ABCF000231	TRANSISTOR	1	
	Q16762	B1HFPPFA00001	TRANSISTOR	1	
	Q16801	DSA2001S0L	TRANSISTOR	1	
	Q16810	B1ABCF000231	TRANSISTOR	1	
	Q16815	B1ABCN000007	TRANSISTOR	1	
	Q16816	DSC2001Q0L	TRANSISTOR	1	
	Q16817	DSC2001Q0L	TRANSISTOR	1	
	Q16818	B1CBGD000001	FET	1	
	Q16876	B1ABCF000231	TRANSISTOR	1	
	Q16885	B1CFNG000001	FET	1	
	Q16920	B1ABCN000007	TRANSISTOR	1	
	Q16921	B1ABCN000007	TRANSISTOR	1	
	Q16930	DSC2001Q0L	TRANSISTOR	1	
	Q16931	B1ABCN000007	TRANSISTOR	1	
	Q16932	DSC2001Q0L	TRANSISTOR	1	
	R16001	D0GF7R5JA047	M 7.5 OHM, J, 0.33W	1	
	R16002	D0GF7R5JA047	M 7.5 OHM, J, 0.33W	1	
	R16022	D0GF7R5JA047	M 7.5 OHM, J, 0.33W	1	
	R16023	D0GF7R5JA047	M 7.5 OHM, J, 0.33W	1	
	R16031	ERJ6ENF8202	M 82KOHM, 1/10W	1	
	R16032	ERJ6ENF8202	M 82KOHM, 1/10W	1	
	R16033	ERJ6ENF5602	M 56KOHM, 1/10W	1	
	R16034	ERJ6ENF2702	M 27KOHM, 1/10W	1	
	R16041	D0GF5R6JA047	M 5.6 OHM, J, 0.33W	1	
	R16051	D0GF5R6JA047	M 5.6 OHM, J, 0.33W	1	
	R16101	D0GD221JA059	M 220 OHM, F, 0.25W	1	
	R16102	D0GD221JA059	M 220 OHM, F, 0.25W	1	
	R16103	D0GD100JA059	M 10 OHM, J, 0.25W	1	
	R16104	D0GD100JA059	M 10 OHM, J, 0.25W	1	
	R16105	ERJ8GEYJ474	M 470KOHM, J, 1/8W	1	
	R16109	D0GD100JA059	M 10 OHM, J, 0.25W	1	
	R16116	D0GB473JA057	M 47KOHM, J, 1/10W	1	
	R16131	ERJ8GEYJ101V	M 100 OHM, J, 1/8W	1	
	R16132	ERJ8GEYJ101V	M 100 OHM, J, 1/8W	1	
	R16134	D0GD750JA059	M 75 OHM, J, 0.25W	1	
	R16137	D0GF1R0JA047	M 1.0 OHM, J, 0.33W	1	
	R16141	D0GD100JA059	M 10 OHM, J, 0.25W	1	
	R16143	D0GB473JA057	M 47KOHM, J, 1/10W	1	
	R16151	ERJ3GEYJ101	M 100 OHM, J, 1/16W	1	

Safety	Ref. No.	Part No.	Part Name & Description	Pcs	Remarks
	R16152	ERJ3GEYJ101	M 100 OHM, J, 1/16W	1	
	R16154	D0GD750JA059	M 75 OHM, J, 0.25W	1	
	R16155	D0GF1R0JA047	M 1.0 OHM, J, 0.33W	1	
	R16159	D0GF1R0JA047	M 1.0 OHM, J, 0.33W	1	
	R16161	D0GD100JA059	M 10 OHM, J, 0.25W	1	
	R16163	D0GB473JA057	M 47KOHM, J, 1/10W	1	
	R16171	D0GD100JA059	M 10 OHM, J, 0.25W	1	
	R16173	D0GB473JA057	M 47KOHM, J, 1/10W	1	
	R16181	D0GD100JA059	M 10 OHM, J, 0.25W	1	
	R16183	D0GB473JA057	M 47KOHM, J, 1/10W	1	
	R16191	ERJ6GEYJ151V	M 150 OHM, J, 1/10W	1	
	R16192	D0GB103JA057	M 10K OHM J 1/10W	1	
	R16193	ERJ6GEYJ750	M 75 OHM, J, 1/10W	1	
	R16195	D0GF1R0JA047	M 1.0 OHM, J, 0.33W	1	
	R16230	ERJ6GEYJ470V	M 47 OHM, J, 1/10W	1	
	R16231	ERJ3GEYJ472	M 4.7KOHM, J, 1/16W	1	
	R16241	EXB38V470J	RESISTOR ARRAY	1	
	R16242	EXB38V472JV	RESISTOR ARRAY	1	
	R16251	D1BB1401A055	M 1.4KOHM, 1/10W	1	
	R16252	ERJ6ENF3902	M 39KOHM, 1/10W	1	
	R16253	ERJ6ENF3902	M 39KOHM, 1/10W	1	
	R16254	ERJ6ENF6801	M 6.8KOHM, 1/10W	1	
	R16255	D1BB1201A055	M 1.2KOHM, 1/10W	1	
	R16256	D1BB1501A055	M 1.5KOHM, 1/10W	1	
	R16257	D0GB273JA041	M 27K OHM J 1/10W	1	
	R16258	D0GB103JA057	M 10K OHM J 1/10W	1	
	R16260	ERJ6GEYJ222V	M 2.2K OHM J 1/10W	1	
	R16280	D0GB222JA041	M 2.2KOHM, J, 1/10W	1	
	R16281	D0GB103JA057	M 10K OHM J 1/10W	1	
	R16282	ERJ6GEYJ221V	M 220 OHM, J, 1/10W	1	
	R16283	D0GB473JA057	M 47KOHM, J, 1/10W	1	
	R16284	D0GB224JA041	M 2.2KOHM, J, 1/10W	1	
	R16285	EXB38V623J	RESISTOR ARRAY	1	
	R16288	D0GF334JA047	M 330KOHM, F, 0.33W	1	
	R16289	D0GF334JA047	M 330KOHM, F, 0.33W	1	
	R16290	D0GF334JA047	M 330KOHM, F, 0.33W	1	
	R16307	ERJ6RBD6492	M 64.9KOHM, F, 1/10W	1	
	R16309	ERG1FJS333D	M 33KOHM, J, 1W	1	
	R16318	ERJ6RBD683	M 68KOHM, J, 1/10W	1	
	R16319	ERJ6RBD2491	M 2.49KOHM, 1/10W	1	
	R16320	ERJ14YJ683	M 68KOHM, 1/2W	1	
	R16330	D0GB102JA041	M 1KOHM, J, 1/10W	1	
	R16332	D0GB474JA041	M 470KOHM, J, 1/10W	1	
	R16334	ERJ3GEYJ472	M 4.7KOHM, J, 1/16W	1	
	R16335	D0GB102JA041	M 1KOHM, J, 1/10W	1	
	R16401	D0GF7R5JA047	M 7.5 OHM, J, 0.33W	1	
	R16402	D0GF7R5JA047	M 7.5 OHM, J, 0.33W	1	
	R16410	D0GB391JA041	M 390 OHM, J, 1/10W	1	
	R16411	ERJ6ENF2700	M 270 OHM, 1/10W	1	
	R16416	D0GB103JA057	M 10K OHM J 1/10W	1	
	R16417	ERJ6GEYJ101V	M 100 OHM, J, 1/10W	1	

Safety	Ref. No.	Part No.	Part Name & Description	Pcs	Remarks
	R16418	ERJ6GEYJ101V	M 100 OHM,J,1/10W	1	
	R16421	D0GF7R5JA047	M 7.5 OHM,J,0.33W	1	
	R16422	D0GF7R5JA047	M 7.5 OHM,J,0.33W	1	
	R16441	D0GF5R6JA047	M 5.6 OHM,J,0.33W	1	
	R16451	D0GF5R6JA047	M 5.6 OHM,J,0.33W	1	
	R16465	ERJ6ENF2702	M 27KOHM, 1/10W	1	
	R16466	ERJ6ENF5602	M 56KOHM, 1/10W	1	
	R16467	ERJ6ENF8202	M 82KOHM, 1/10W	1	
	R16468	ERJ6ENF8202	M 82KOHM, 1/10W	1	
	R16471	D0GB392JA041	M 3.9KOHM,J,1/10W	1	
	R16472	D0GB222JA041	M 2.2KOHM,J,1/10W	1	
	R16473	ERJ6GEYF561	M 560 OHM,F,1/10W	1	
	R16474	D0GB102JA041	M 1KOHM,J,1/10W	1	
	R16475	ERJ3GEYJ472	M 4.7KOHM,J,1/16W	1	
	R16476	ERJ3GEYJ472	M 4.7KOHM,J,1/16W	1	
	R16478	D0GB562JA041	M 5.6KOHM,J,1/10W	1	
	R16479	ERJ6GEYJ103V	M 10K OHM J 1/10W	1	
	R16490	ERJ6RED124	M 120KOHM, 1/10W	1	
	R16491	ERJ6RED124	M 120KOHM, 1/10W	1	
	R16492	ERJ6RED124	M 120KOHM, 1/10W	1	
	R16493	ERJ6RBD6191	M 6.19KOHM, 1/10W	1	
	R16494	D1BB2001A055	M 2KOHM, 1/10W	1	
	R16495	ERJ6ENF7500	M 750 OHM, 1/10W	1	
	R16496	ERJ6GEYJ470V	M 47 OHM,J,1/10W	1	
	R16497	D0GB473JA057	M 47KOHM,J,1/10W	1	
	R16498	D0GB103JA057	M 10K OHM J 1/10W	1	
	R16503	D0GD100JA059	M 10 OHM,J,0.25W	1	
	R16504	D0GD750JA059	M 75 OHM,J,0.25W	1	
	R16506	D0GD100JA059	M 10 OHM,J,0.25W	1	
	R16509	D0GF1R0JA047	M 1.0 OHM,J,0.33W	1	
	R16512	D0GB473JA057	M 47KOHM,J,1/10W	1	
	R16517	D0GB473JA057	M 47KOHM,J,1/10W	1	
	R16521	ERJ6GEYJ101V	M 100 OHM,J,1/10W	1	
	R16522	ERJ6GEYJ101V	M 100 OHM,J,1/10W	1	
	R16523	D0GD750JA059	M 75 OHM,J,0.25W	1	
	R16531	D0GD100JA059	M 10 OHM,J,0.25W	1	
	R16533	D0GB473JA057	M 47KOHM,J,1/10W	1	
	R16534	D0GF5R6JA047	M 5.6 OHM,J,0.33W	1	
	R16551	D0GD100JA059	M 10 OHM,J,0.25W	1	
	R16553	D0GB473JA057	M 47KOHM,J,1/10W	1	
	R16561	EXB38V470J	RESISTOR ARRAY	1	
	R16562	EXB38V470J	RESISTOR ARRAY	1	
	R16563	EXB38V470J	RESISTOR ARRAY	1	
	R16564	EXB38V470J	RESISTOR ARRAY	1	
	R16565	EXB38V472JV	RESISTOR ARRAY	1	
	R16566	EXB38V472JV	RESISTOR ARRAY	1	
	R16567	EXB38V472JV	RESISTOR ARRAY	1	
	R16568	EXB38V472JV	RESISTOR ARRAY	1	
	R16570	EXB38V472JV	RESISTOR ARRAY	1	
	R16579	EXB38V470J	RESISTOR ARRAY	1	
	R16580	D0GB562JA041	M 5.6KOHM,J,1/10W	1	
	R16582	ERJ6ENF3902	M 39KOHM, 1/10W	1	
	R16583	ERJ6ENF3902	M 39KOHM, 1/10W	1	
	R16584	ERJ6ENF6801	M 6.8KOHM, 1/10W	1	
	R16585	D1BB1001A055	M 1KOHM, 1/10W	1	
	R16586	D1BB2151A055	M2.15KOHM, 1/10W	1	
	R16587	D0GB222JA041	M 2.2KOHM,J,1/10W	1	

Safety	Ref. No.	Part No.	Part Name & Description	Pcs	Remarks
	R16588	D0GB103JA057	M 10K OHM J 1/10W	1	
	R16590	ERJ3GEYJ221	M 220 OHM,J,1/16W	1	
	R16591	EXB38V472JV	RESISTOR ARRAY	1	
	R16593	D1BB1401A055	M 1.4KOHM, 1/10W	1	
	R16601	D0GF1R0JA047	M 1.0 OHM,J,0.33W	1	
	R16604	ERJ6GEYJ331V	M 330 OHM J 1/10W	1	
	R16605	ERJ6GEYJ182	M 1.8KOHM,J,1/10W	1	
	R16607	D1BB6981A055	M6.98KOHM, 1/10W	1	
	R16609	D0GF202JA047	M 2KOHM,J, 0.33W	1	
	R16610	D0GB104JA041	M 100KOHM J 1/10W	1	
	R16612	D0GD470JA059	M 47 OHM,J,0.25W	1	
	R16615	D1BB1101A055	M 1.1 KOHM, 1/10W	1	
	R16617	ERJ6GEYJ222V	M 2.2K OHM J 1/10W	1	
	R16621	ERJ6GEYJ221V	M 220 OHM,J,1/10W	1	
	R16631	D0GB103JA057	M 10K OHM J 1/10W	1	
	R16633	ERJ6GEYJ223	M 22KOHM,J,1/10W	1	
	R16634	ERJ6GEYJ471	M 470 OHM,J,1/10W	1	
	R16645	D0GB562JA041	M 5.6KOHM,J,1/10W	1	
	R16646	D1BB1181A055	M 1.18KOHM, 1/10W	1	
	R16648	D0GF202JA047	M 2KOHM,J, 0.33W	1	
	R16649	D0GD330JA059	M 33 OHM,F,0.25W	1	
	R16650	D0GB104JA041	M 100KOHM J 1/10W	1	
	R16651	D0GF202JA047	M 2KOHM,J, 0.33W	1	
	R16652	ERJ6GEYF822	M 8.2KOHM,F,1/10W	1	
	R16653	ERJ8GEYJ182	M 1.8KOHM, J,1/8W	1	
	R16654	ERJ6GEYJ470V	M 47 OHM,J,1/10W	1	
	R16655	D0GB103JA057	M 10K OHM J 1/10W	1	
	R16656	ERJ8GEYJ472V	M 4.7KOHM, J,1/8W	1	
	R16658	ERJ3RBD6341	M6.34 OHM, 1/13W	1	
	R16659	ERJ6GEYR00V	M 0 OHM J 1/10W	1	
	R16660	ERJ6GEYJ222V	M 2.2K OHM J 1/10W	1	
	R16661	D0GB122JA041	N 1.2KOHM J 1/10W	1	
	R16662	D1BB1002A087	M 10KOHM, 1/10W	1	
	R16663	ERJ6RBD7151	M 7.15KOHM, 1/10W	1	
	R16664	D0GF202JA047	M 2KOHM,J, 0.33W	1	
	R16665	D0GD330JA059	M 33 OHM,F,0.25W	1	
	R16666	D1BB2202A087	M 22KOHM, 1/10W	1	
	R16667	D0GF202JA047	M 2KOHM,J, 0.33W	1	
	R16668	D0GF202JA047	M 2KOHM,J, 0.33W	1	
	R16673	ERJ6GEYJ472V	M 4.7K OHM J 1/10W	1	
	R16674	D0GF202JA047	M 2KOHM,J, 0.33W	1	
	R16675	ERJ3GEYJ472	M 4.7KOHM,J,1/16W	1	
	R16677	D0GF202JA047	M 2KOHM,J, 0.33W	1	
	R16678	D0GF202JA047	M 2KOHM,J, 0.33W	1	
	R16679	ERJ3RBD1072	M10.7KOHM, 1/13W	1	
	R16680	ERJ6GEYJ472V	M 4.7K OHM J 1/10W	1	
	R16681	D0GD100JA059	M 10 OHM,J,0.25W	1	
	R16684	ERJ6GEYJ221V	M 220 OHM,J,1/10W	1	
	R16685	ERJ6GEYJ221V	M 220 OHM,J,1/10W	1	
	R16686	D0GB103JA057	M 10K OHM J 1/10W	1	
	R16687	D1BB2702A055	M 27KOHM, 1/10W	1	

Safety	Ref. No.	Part No.	Part Name & Description	Pcs	Remarks
	R16688	D1BB8871A055	M8.87KOHM, 1/10W	1	
	R16690	ERJ3GEYJ472	M 4.7KOHM, J, 1/16W	1	
	R16691	ERJ8GEYJ563	M 56KOHM, J, 1/8W	1	
	R16692	ERJ6RBD152	M 1.5KOHM, J, 1/10W	1	
	R16694	ERJ8GEYJ563	M 56KOHM, J, 1/8W	1	
	R16695	ERJ6RBD152	M 1.5KOHM, J, 1/10W	1	
	R16696	ERF5TK2R2	W 2.2 OHM, K, 5W	1	
	R16699	D0GB103JA057	M 10K OHM J 1/10W	1	
	R16707	ERJ6GEYJ392	M 3.9KOHM, J, 1/10W	1	
	R16711	ERJ3GEYJ472	M 4.7KOHM, J, 1/16W	1	
	R16712	ERJ6GEYJ102V	M 1K OHM J 1/10W	1	
	R16717	D0GB102JA041	M 1KOHM, J, 1/10W	1	
	R16719	ERJ3GEYJ220	M 22 OHM, J, 1/16W	1	
	R16721	EXB38V220JV	RESISTOR ARRAY	1	
	R16742	D0GB473JA057	M 47KOHM, J, 1/10W	1	
	R16745	D0GB474JA041	M 470KOHM, J, 1/10W	1	
	R16746	ERJ6GEYF473	M 47KOHM, J, 1/10W	1	
	R16747	ERJ6GEYJ222V	M 2.2K OHM J 1/10W	1	
	R16750	D0GD123JA059	M 12KOHM, F, 0.25W	1	
	R16751	D0GD154JA059	M 150KOHM, F, 0.25W	1	
	R16752	ERJ3GEYJ472	M 4.7KOHM, J, 1/16W	1	
	R16753	ERJ6GEYF473	M 47KOHM, J, 1/10W	1	
	R16755	D0GD123JA059	M 12KOHM, F, 0.25W	1	
	R16756	D0GD123JA059	M 12KOHM, F, 0.25W	1	
	R16761	D0GD100JA059	M 10 OHM, J, 0.25W	1	
	R16763	D0GB473JA057	M 47KOHM, J, 1/10W	1	
	R16765	D0GD100JA059	M 10 OHM, J, 0.25W	1	
	R16769	D0GD750JA059	M 75 OHM, J, 0.25W	1	
	R16772	ERJ3GEYJ472	M 4.7KOHM, J, 1/16W	1	
	R16773	ERJ6GEYJ102V	M 1K OHM J 1/10W	1	
	R16774	ERG1SJ273	M 27KOHM, J, 1W	1	
	R16776	ERJ6GEYJ470V	M 47 OHM, J, 1/10W	1	
	R16783	D0GD154JA059	M 150KOHM, F, 0.25W	1	
	R16785	ERJ6ENF1073	M 107KOHM, 1/10W	1	
	R16786	ERJ6ENF1073	M 107KOHM, 1/10W	1	
	R16787	ERJ6ENF3302	M 33KOHM, 1/10W	1	
	R16789	D0GB103JA057	M 10K OHM J 1/10W	1	
	R16791	D0GB102JA041	M 1KOHM, J, 1/10W	1	
	R16797	ERJ6GEYJ220	M 22 OHM, J, 1/10W	1	
	R16798	D0GB222JA041	M 2.2KOHM, J, 1/10W	1	
	R16799	D0GB102JA041	M 1KOHM, J, 1/10W	1	
	R16801	ERJ6RBD223V	M 22KOHM, 1/16W	1	
	R16802	ERJ6RBD3092	M30.9KOHM, F, 1/10W	1	
	R16804	ERJ8GEYJ112	M 1.1KOHM, J, 1/8W	1	
	R16818	D1BB3302A055	M 33KOHM, 1/10W	1	
	R16819	ERJ6ENF1503	M 150KOHM, 1/10W	1	
	R16820	ERJ6ENF1503	M 150KOHM, 1/10W	1	
	R16822	ERJ6ENF8202	M 82KOHM, 1/10W	1	
	R16823	ERJ6ENF8202	M 82KOHM, 1/10W	1	
	R16824	ERJ6ENF3302	M 33KOHM, 1/10W	1	
	R16825	D0GD154JA059	M 150KOHM, F, 0.25W	1	
	R16826	ERJ6GEYJ103V	M 10K OHM J 1/10W	1	
	R16827	D0GB222JA041	M 2.2KOHM, J, 1/10W	1	
	R16829	D0GB102JA041	M 1KOHM, J, 1/10W	1	
	R16831	ERJ6RBD6812	M68.1KOHM, F, 1/10W	1	
	R16832	ERJ6RBD7152	M71.5KOHM, F, 1/10W	1	

Safety	Ref. No.	Part No.	Part Name & Description	Pcs	Remarks
	R16837	D0GB102JA041	M 1KOHM, J, 1/10W	1	
	R16838	ERG1FJS104D	M 100KOHM, J, 1W	1	
	R16841	ERJ3GEYJ472	M 4.7KOHM, J, 1/16W	1	
	R16843	ERJ6GEYJ102V	M 1K OHM J 1/10W	1	
	R16844	ERA6YEB242	M 24KOHM, 1/10W	1	
	R16845	ERJ6RBD6652	M66.5KOHM, F, 1/10W	1	
	R16846	ERJ6RBD6492	M64.9KOHM, F, 1/10W	1	
	R16849	ERJ6RBD6492	M64.9KOHM, F, 1/10W	1	
	R16851	D0GB474JA041	M 470KOHM, J, 1/10W	1	
	R16852	D0GB474JA041	M 470KOHM, J, 1/10W	1	
	R16860	ERG2FNJS8R2E	M 8.2 OHM, J, 2W	1	
	R16870	ERJ14YJ683	M 68KOHM, 1/2W	1	
	R16873	ERA6YEB242	M 24KOHM, 1/10W	1	
	R16891	D1BF6982A058	M 6.98KOHM, 1/10W	1	
	R16892	D1BF8252A058	M 8.25KOHM, 1/10W	1	
	R16893	D1BF8252A058	M 8.25KOHM, 1/10W	1	
	R16897	D1BB1001A055	M 1KOHM, 1/10W	1	
	R16898	D1BB1051A055	M 1.05KOHM, 1/10W	1	
	R16899	D1BB2741A055	M2.74KOHM, 1/10W	1	
	R16900	D0GB103JA057	M 10K OHM J 1/10W	1	
	R16901	ERJ3GEYJ472	M 4.7KOHM, J, 1/16W	1	
	R16904	ERJ6GEYJ223	M 22KOHM, J, 1/10W	1	
	R16919	D1BB7501A055	M7.50KOHM, 1/10W	1	
	R16920	D0GB103JA057	M 10K OHM J 1/10W	1	
	R16921	D1BB1241A055	M1.24KOHM, 1/10W	1	
	R16922	D1BB3481A055	M3.48KOHM, 1/10W	1	
	R16923	D0GB103JA057	M 10K OHM J 1/10W	1	
	R16926	ERJ6GEYJ222V	M 2.2K OHM J 1/10W	1	
	R16927	ERJ6GEYJ223	M 22KOHM, J, 1/10W	1	
	R16928	ERJ6GEYJ472V	M 4.7K OHM J 1/10W	1	
	R16929	D0GF1R0JA047	M 1.0 OHM, J, 0.33W	1	
	R16930	D1BF2R70A021	M 2.7 OHM, 1/10W	1	
	R16931	D1BF2R70A021	M 2.7 OHM, 1/10W	1	
	R16932	ERJ6GEYJ223	M 22KOHM, J, 1/10W	1	
	R16933	D1BB1002A055	M 10KOHM, 1/10W	1	
	R16934	D1BB6801A055	M 6.8KOHM, 1/10W	1	
	R16935	D0GB512JA041	M 5.1KOHM, J, 1/10W	1	
	R16936	D0GB222JA041	M 2.2KOHM, J, 1/10W	1	
	R16937	D0GB184JA041	M 180KOHM J 1/10W	1	
	R16938	D0GB184JA041	M 180KOHM J 1/10W	1	
	R17101	ERJ6GEY0R00V	M 0 OHM J 1/10W	1	
	R17103	EXB38V681J	RESISTOR ARRAY	1	
	R17104	EXB38V470J	RESISTOR ARRAY	1	
	R17105	EXB38V470J	RESISTOR ARRAY	1	
	R17106	D0GZ1R0JA020	C1.0 OHM, J, 0.5W	1	PAVCCZ
	R17108	D0GB101JA041	M 100 OHM, J, 1/10W	1	
	R17109	D0GB101JA041	M 100 OHM, J, 1/10W	1	
	R17110	D0GB201JA041	M 200 OHM, J, 1/10W	1	PAVCCZ
	R17111	D0GZ1R0JA020	C1.0 OHM, J, 0.5W	1	PAVCCZ
	R17113	D0GB101JA041	M 100 OHM, J, 1/10W	1	

Safety	Ref. No.	Part No.	Part Name & Description	Pcs	Remarks
	R17114	D0GB101JA041	M 100 OHM,J,1/10W	1	
	R17115	D0GB201JA041	M 200 OHM,J,1/10W	1	PAVCCZ
	R17116	D0GZ1R0JA020	C1.0 OHM, J, 0.5W	1	PAVCCZ
	R17118	D0GB101JA041	M 100 OHM,J,1/10W	1	
	R17119	D0GB101JA041	M 100 OHM,J,1/10W	1	
	R17120	D0GB201JA041	M 200 OHM,J,1/10W	1	PAVCCZ
	R17121	D0GZ1R0JA020	C1.0 OHM, J, 0.5W	1	PAVCCZ
	R17123	D0GB101JA041	M 100 OHM,J,1/10W	1	
	R17124	D0GB101JA041	M 100 OHM,J,1/10W	1	
	R17125	D0GB201JA041	M 200 OHM,J,1/10W	1	PAVCCZ
	R17126	D0GZ1R0JA020	C1.0 OHM, J, 0.5W	1	PAVCCZ
	R17128	D0GB101JA041	M 100 OHM,J,1/10W	1	
	R17129	D0GB101JA041	M 100 OHM,J,1/10W	1	
	R17130	D0GB201JA041	M 200 OHM,J,1/10W	1	PAVCCZ
	R17131	D0GZ1R0JA020	C1.0 OHM, J, 0.5W	1	PAVCCZ
	R17133	D0GB101JA041	M 100 OHM,J,1/10W	1	
	R17134	D0GB101JA041	M 100 OHM,J,1/10W	1	
	R17135	D0GB201JA041	M 200 OHM,J,1/10W	1	PAVCCZ
	R17136	D0GZ1R0JA020	C1.0 OHM, J, 0.5W	1	PAVCCZ
	R17138	D0GB101JA041	M 100 OHM,J,1/10W	1	
	R17139	D0GB101JA041	M 100 OHM,J,1/10W	1	
	R17140	D0GB101JA041	M 100 OHM,J,1/10W	1	
	R17141	D0GZ1R0JA020	C1.0 OHM, J, 0.5W	1	PAVCCZ
	R17143	D0GB101JA041	M 100 OHM,J,1/10W	1	
	R17144	D0GB101JA041	M 100 OHM,J,1/10W	1	
	R17145	D0GB101JA041	M 100 OHM,J,1/10W	1	
	R17146	D0GB681JA041	M 680 OHM,J,1/10W	1	
	R17147	ERJ6GEYJ224	M 220KOHM,J,1/10W	1	
	R17148	D0GF151JA047	M 150 OHM,J, 0.33W	1	
	R17150	D0GB102JA041	M 1KOHM,J,1/10W	1	
	R17151	D0GBR00Z0002	M 0 OHM J 1/10W	1	
	R17152	D0GBR00Z0002	M 0 OHM J 1/10W	1	
	R17153	D0GBR00Z0002	M 0 OHM J 1/10W	1	
	R17201	ERJ6GEYJ224	M 220KOHM,J,1/10W	1	
	R17202	EXB38V470J	RESISTOR ARRAY	1	
	R17203	EXB38V470J	RESISTOR ARRAY	1	
	R17204	EXB38V681J	RESISTOR ARRAY	1	
	R17205	EXB38V470J	RESISTOR ARRAY	1	
	R17206	EXB38V470J	RESISTOR ARRAY	1	
	R17207	EXB38V681J	RESISTOR ARRAY	1	
	R17208	EXB38V681J	RESISTOR ARRAY	1	
	R17210	D0GZ1R0JA020	C1.0 OHM, J, 0.5W	1	PAVCCZ
	R17212	D0GB101JA041	M 100 OHM,J,1/10W	1	
	R17213	D0GB101JA041	M 100 OHM,J,1/10W	1	
	R17214	D0GB201JA041	M 200 OHM,J,1/10W	1	PAVCCZ

Safety	Ref. No.	Part No.	Part Name & Description	Pcs	Remarks
	R17215	D0GZ1R0JA020	C1.0 OHM, J, 0.5W	1	PAVCCZ
	R17217	D0GB101JA041	M 100 OHM,J,1/10W	1	
	R17218	D0GB101JA041	M 100 OHM,J,1/10W	1	
	R17219	D0GB201JA041	M 200 OHM,J,1/10W	1	PAVCCZ
	R17220	D0GZ1R0JA020	C1.0 OHM, J, 0.5W	1	PAVCCZ
	R17222	D0GB101JA041	M 100 OHM,J,1/10W	1	
	R17223	D0GB101JA041	M 100 OHM,J,1/10W	1	
	R17224	D0GB201JA041	M 200 OHM,J,1/10W	1	PAVCCZ
	R17225	D0GZ1R0JA020	C1.0 OHM, J, 0.5W	1	PAVCCZ
	R17227	D0GB101JA041	M 100 OHM,J,1/10W	1	
	R17228	D0GB101JA041	M 100 OHM,J,1/10W	1	
	R17229	D0GB201JA041	M 200 OHM,J,1/10W	1	PAVCCZ
	R17230	D0GZ1R0JA020	C1.0 OHM, J, 0.5W	1	PAVCCZ
	R17232	D0GB101JA041	M 100 OHM,J,1/10W	1	
	R17233	D0GB101JA041	M 100 OHM,J,1/10W	1	
	R17234	D0GB201JA041	M 200 OHM,J,1/10W	1	PAVCCZ
	R17235	D0GZ1R0JA020	C1.0 OHM, J, 0.5W	1	PAVCCZ
	R17237	D0GB101JA041	M 100 OHM,J,1/10W	1	
	R17238	D0GB101JA041	M 100 OHM,J,1/10W	1	
	R17239	D0GB201JA041	M 200 OHM,J,1/10W	1	PAVCCZ
	R17240	D0GZ1R0JA020	C1.0 OHM, J, 0.5W	1	PAVCCZ
	R17242	D0GB101JA041	M 100 OHM,J,1/10W	1	
	R17243	D0GB101JA041	M 100 OHM,J,1/10W	1	
	R17244	D0GB101JA041	M 100 OHM,J,1/10W	1	
	R17245	D0GB681JA041	M 680 OHM,J,1/10W	1	
	R17247	D0GF151JA047	M 150 OHM,J, 0.33W	1	
	R17260	ERJ6GEYR00V	M 0 OHM J 1/10W	1	
	R17261	D0GBR00Z0002	M 0 OHM J 1/10W	1	
	R17262	D0GBR00Z0002	M 0 OHM J 1/10W	1	
	R17263	D0GBR00Z0002	M 0 OHM J 1/10W	1	
	SC2	K1KY02B00012	2P CONNECTOR	1	
	SC20	K1MY35BA0345	35P CONNECTOR	1	
	SC41	K1KA09AA0707	9P CONNECTOR	1	
	SC42	K1KA09AA0707	9P CONNECTOR	1	
	SC46	K1KA09AA0707	9P CONNECTOR	1	
	SC50	K1KA02AA0193	2P CONNECTOR	1	
	SS11	K1KA03A00608	3P CONNECTOR	1	
	SS21	K1KA07A00170	7P CONNECTOR	1	
	SS24	K1KB07AA0087	7P CONNECTOR	1	
	SS33	K1KY08AA0719	8P CONNECTOR	1	
	SS58	K1MN13B00091	13P CONNECTOR	1	
	SS61	K1MY13BA0343	13P CONNECTOR	1	
	SS64	K1MY13BA0343	13P CONNECTOR	1	
	T16471	G4DYA0000200	SWITCHING TRANS	1	
	ZA16001	K4CD01000011	AV TERMINAL	1	
	ZA16002	K4CD01000011	AV TERMINAL	1	
	ZA16003	K4CD01000011	AV TERMINAL	1	
	ZA16401	K4CD01000011	AV TERMINAL	1	

Safety	Ref. No.	Part No.	Part Name & Description	Pcs	Remarks
	ZA16402	K4CD01000011	AV TERMINAL	1	
	ZA16403	K4CD01000011	AV TERMINAL	1	
	ZA16404	K4CD01000011	AV TERMINAL	1	
	ZA16407	K4CD01000011	AV TERMINAL	1	
	ZA17101	K4CD01000013	AV TERMINAL	1	
	ZA17102	K4CD01000013	AV TERMINAL	1	
	ZA17103	K4CD01000013	AV TERMINAL	1	
	ZA17104	K4CD01000013	AV TERMINAL	1	
	ZA17201	K4CD01000013	AV TERMINAL	1	
	ZA17202	K4CD01000013	AV TERMINAL	1	
	ZA17203	K4CD01000013	AV TERMINAL	1	
	ZA17204	K4CD01000013	AV TERMINAL	1	
	C100	F1J1C474A059	C 0.47UF, Z, 16V	1	
△	C101	F0CAF334A021	C 0.33UF, 250V	1	
△	C102	F1BAF221A131	C 220UF, 250V	1	
△	C103	F1BAF221A131	C 220UF, 250V	1	
△	C104	F0CAF474A021	C 0.47UF, 250V	1	
△	C105	F0CAF224A021	C 0.22UF, 250V	1	
△	C109	ECWF2W225X03	P 0.022UF, 200V	1	
	C111	ECJ1VB1H102K	C 1000PF, K, 50V	1	
	C113	F1J1E225A209	C 2.2 UF 25V	1	
	C114	F1H1C224A065	C 0.22UF, K, 50V	1	
	C115	ECJ1VB1H103K	C 0.001UF, K, 50V	1	
	C116	ECJ1VB1H472K	C 4700PF, K, 50V	1	
	C118	ECJ1VB1H102K	C 1000PF, K, 50V	1	
	C120	F1E2J4730001	C 0.047PF, , 600V	1	
	C122	ECKD3A102KBP	C 1000PF, K, 1KV	1	
	C123	ECKD3A102KBP	C 1000PF, K, 1KV	1	
△	C125	F2B2W3310012	C 330UF, 450V	1	
	C127	F1H1C105A148	C 1UF, K, 16V	1	
	C200	ECJ1VB1H102K	C 1000PF, K, 50V	1	
△	C201	F2B2W220A032	C 22UF, 450V	1	
	C204	ECJ1VB1E104K	C 0.10UF, K, 25V	1	
	C205	F1H1H222A219	C 2200PF, K, 50V	1	
	C207	F2A1H1000083	E 10UF, 50V	1	
△	C209	F1BAF221A131	C 220UF, 250V	1	
	C210	F2A1H4700057	E 47UF, 50V	1	
	C211	F1J1E225A209	C 2.2 UF 25V	1	
	C212	ECJ1VB1H102K	C 1000PF, K, 50V	1	
△	C300	F1BAF221A131	C 220UF, 250V	1	
	C301	ECKD3A101KBP	C 100PF, K, 1KV	1	
△	C302	F1BAF221A131	C 220UF, 250V	1	
△	C314	ECWH8333HA	P 0.033PF, J, 8KV	1	
	C400	ECJ1VB1H102K	C 1000PF, K, 50V	1	
	C401	F1A3A221A039	E 220UF, 1KV	1	
	C402	F1H1C105A148	C 1UF, K, 16V	1	
	C403	F1J1E105A231	C 1 UF 25V	1	
	C406	F2A1H1000083	E 10UF, 50V	1	
△	C407	ECWF6103HLB	P 0.010UF, J, 600V	1	
	C410	ECQE6104KF	P 0.1UF, K, 630V	1	
	C411	ECJ2VB1H103K	C 0.01UF, K, 50V	1	
	C412	ECJ1VB1H103K	C 0.001UF, K, 50V	1	
	C413	ECJ1VB1H102K	C 1000PF, K, 50V	1	
	C414	ECJ1VB1H103K	C 0.001UF, K, 50V	1	
	C500	ECJ1VB1E104K	C 0.10UF, K, 25V	1	
	C505	F2A1A681B345	E 680UF, 10V	1	
	C519	ECJ1VB1H102K	C 1000PF, K, 50V	1	
	C601	ECJ1VB1H103K	C 0.001UF, K, 50V	1	
	C603	ECJ1VB1H103K	C 0.001UF, K, 50V	1	
	C607	ECJ1VB1H103K	C 0.001UF, K, 50V	1	
	C616	ECJ1VB1H103K	C 0.001UF, K, 50V	1	
	C617	ECJ1VB1H103K	C 0.001UF, K, 50V	1	

Safety	Ref. No.	Part No.	Part Name & Description	Pcs	Remarks
	C623	F1J0J4750018	C 4.7UF, K, 16V	1	
	C625	ECJ1VB1H102K	C 1000PF, K, 50V	1	
	C627	ECJ2VB1H103K	C 0.01UF, K, 50V	1	
	C628	ECJ1VB1H103K	C 0.001UF, K, 50V	1	
	C700	F1J1E105A231	C 1 UF 25V	1	
	C703	ECJ1VB1H332K	C 3300PF, K, 50V	1	
	C706	F1H1C105A148	C 1UF, K, 16V	1	
	C707	F1J1E105A231	C 1 UF 25V	1	
	C709	F1J1E104A137	C 0.10UF, Z, 25V	1	
	C711	ECJ1VB1H102K	C 1000PF, K, 50V	1	
	C712	F1J1H471A721	C 470PF, 50V	1	
	C713	F1J1E105A231	C 1 UF 25V	1	
	C714	F1J1H333A571	C 0.033UF, 50V	1	
	C715	F1J1H332A623	C 3300PF, 50V	1	
	C716	F1J1E105A231	C 1 UF 25V	1	
	C717	ECJ1VB1H103K	C 0.001UF, K, 50V	1	
	C718	ECJ1VB1H102K	C 1000PF, K, 50V	1	
△	C720	F2BZZ1020005	ZZ 102UF	1	
	C724	ECJ1VB1H103K	C 0.001UF, K, 50V	1	
	C725	ECJ1VB1H103K	C 0.001UF, K, 50V	1	
	C726	F1J1H333A571	C 0.033UF, 50V	1	
	C727	ECJ1VB1E104K	C 0.10UF, K, 25V	1	
	C728	ECJ1VB1E104K	C 0.10UF, K, 25V	1	
	C800	F2A1E1020108	E 1000UF, 25V	1	
	C802	ECJ1VB1E104K	C 0.10UF, K, 25V	1	
	C804	ECJ1VB1H103K	C 0.001UF, K, 50V	1	
	C805	F1J1E105A231	C 1 UF 25V	1	
	C806	F2A1E1020108	E 1000UF, 25V	1	
	C807	F1J1E105A231	C 1 UF 25V	1	
	C808	ECJ1VB1E104K	C 0.10UF, K, 25V	1	
	C810	F1J1E105A231	C 1 UF 25V	1	
△	C901	F2BZZ1820005	ZZ 182UF	1	
	C902	F2A1H4700057	E 47UF, 50V	1	
	C903	F1J1H104A459	C 0.10UF, 50V	1	
	C905	ECJ2VB1H103K	C 0.01UF, K, 50V	1	
	C906	F1H1H222A219	C 2200PF, K, 50V	1	
	C907	F1H1C105A148	C 1UF, K, 16V	1	
	C908	ECJ1VB1H102K	C 1000PF, K, 50V	1	
	C909	F1J1H273A571	C 0.027UF, 50V	1	
	D100	B0FBAT000006	DIODE	1	
	D102	B0ACDD000001	DIODE	1	
	D103	B0BC01400033	ZENER DIODE	1	
	D104	B0JCME000093	DIODE	1	
	D106	B0EAKT000048	DIODE	1	
	D108	B0HAPR000016	DIODE	1	
	D109	B0HAPR000016	DIODE	1	
	D114	B0ACDJ000010	DIODE	1	
△	D200	B0EBKT000007	DIODE	1	
	D201	MTZJ10B	ZENER DIODE	1	
	D202	MTZJ10B	ZENER DIODE	1	
	D205	MTZJ10B	ZENER DIODE	1	
	D206	B0ACDJ000010	DIODE	1	
	D207	B0BB17000009	ZENER DIODE	1	
	D208	B0ECKM000046	DIODE	1	
	D209	B0ECKM000046	DIODE	1	
	D210	B0BA03300004	ZENER DIODE	1	
	D300	B0EAAD000001	DIODE	1	
	D301	B0EAAD000001	DIODE	1	
	D400	MTZJ10B	ZENER DIODE	1	
	D401	MTZJ10B	ZENER DIODE	1	
	D402	B0JCCC000002	DIODE	1	
	D404	MTZJ12B	ZENER DIODE	1	
	D405	B0BA05100010	ZENER DIODE	1	
	D406	B0EAKS000003	DIODE	1	
	D408	B0ECKM000046	DIODE	1	
	D410	B0HAMP000067	DIODE	1	
	D411	B0BC8R100015	ZENER DIODE	1	
	D501	B0JAMG000031	DIODE	1	

Safety	Ref. No.	Part No.	Part Name & Description	Pcs	Remarks
	D600	B0ACDJ000010	DIODE	1	
	D604	B0EAAD000001	DIODE	1	
	D605	B0EAAD000001	DIODE	1	
	D611	B0ACDJ000010	DIODE	1	
	D701	B0ECKM000046	DIODE	1	
	D702	B0HBRR000001	DIODE	1	
	D703	B0FBAR000044	DIODE	1	
	D706	B0BC5R600065	ZENER DIODE	1	
	D708	B0ACDJ000010	DIODE	1	
	D800	B0FBEM000023	DIODE	1	
	D801	B0ACDJ000010	DIODE	1	
	D900	B0BA03600020	ZENER DIODE	1	
	D901	B0JCME000093	DIODE	1	
	D902	B0EAMR000015	DIODE	1	
	D903	B0BA02100001	ZENER DIODE	1	
	D904	B0BA02100001	ZENER DIODE	1	
	D905	B0BA03600020	ZENER DIODE	1	
	D907	B0EAMR000015	DIODE	1	
	D908	B0BA01500003	ZENER DIODE	1	
△	F100	K5E802BZ0002	FUSE	1	
△	F101	K5E802BZ0002	FUSE	1	
△	F200	K5G631B00008	FUSE	1	
	IC100	C0DBZYY00361	IC	1	
	IC200	C0DBZMC00006	IC	1	
△	IC201	MIP2K20MSSCF	IC	1	
△	IC202	B3PBA0000459	IC	1	
△	IC400	MIP418AMDS	IC	1	
△	IC401	B3PBA0000459	IC	1	
	IC500	C0DBZMC00006	IC	1	
△	IC600	B3PBA0000459	IC	1	
△	IC601	B3PBA0000459	IC	1	
	IC602	C0EBH0000210	IC	1	
	IC603	C2ABDB000130	IC	1	
	IC700	LSSK0087	IC	1	
	IC701	C0DBZMC00006	IC	1	
	IC800	C0DBZMC00006	IC	1	
	IC901	C0DBZMC00006	IC	1	
	IC902	C0DBZYY00360	IC	1	
△	IC903	B3PBA0000459	IC	1	
	IC904	C0DBZMC00006	IC	1	
△	L100	G0B103J000003	CHOKE COIL	1	
△	L101	G0B103J000003	CHOKE COIL	1	
	L700	J0JCC0000119	CHIP INDUCTOR	1	
	P2	K1KY02BA0001	2P CONNECTOR	1	
	P6	K1KA11AA0082	11P CONNECTOR	1	
	P7	K1KA14AA0082	14P CONNECTOR	1	
	P9	K1KA02B00295	2P CONNECTOR	1	
	P11	K1KA03B00246	3P CONNECTOR	1	
	P25	K1KA10AA0082	10P CONNECTOR	1	
	P34	K1KA03AA0193	3P CONNECTOR	1	
	P35	K1KA03A00647	3P CONNECTOR	1	
△	PR101	K5Y502B00008	FUSE	1	
△	PR900	K5Y402B00006	FUSE	1	
	Q101	DSC5001R0L	TRANSISTOR	1	
	Q103	B1BCCF000022	TRANSISTOR	1	
△	Q104	B1CERR000045	FET	1	
	Q300	B1CHPD000008	FET	1	
	Q301	B1CHPD000008	FET	1	
△	Q302	B1CERQ000059	FET	1	
△	Q303	B1CERQ000059	FET	1	
	Q400	DSC5001R0L	TRANSISTOR	1	
	Q401	B1CFGD000030	FET	1	
	Q402	B1CFGD000030	FET	1	
	Q505	B1CHPD000008	FET	1	
	Q600	DSC5001R0L	TRANSISTOR	1	

Safety	Ref. No.	Part No.	Part Name & Description	Pcs	Remarks
	Q602	DSC5001R0L	TRANSISTOR	1	
	Q701	B1HBCFA00033	TRANSISTOR	1	
	Q703	B1ADCF000111	TRANSISTOR	1	
	Q705	B1CFGD000030	FET	1	
	Q706	B1HDCEA00001	TRANSISTOR	1	
	Q707	DSC5001R0L	TRANSISTOR	1	
	Q708	B1ADCF000111	TRANSISTOR	1	
	Q709	B1CFGD000030	FET	1	
	Q710	B1CFGD000030	FET	1	
	Q711	DSC5001R0L	TRANSISTOR	1	
	Q712	DSC5001R0L	TRANSISTOR	1	
	Q714	B1ADCF000116	TRANSISTOR	1	
	Q715	B1ADCF000116	TRANSISTOR	1	
	Q800	B1CHRD000028	TRANSISTOR	1	
	Q801	DSC5001R0L	TRANSISTOR	1	
	Q805	B1ADCF000111	TRANSISTOR	1	
	Q806	DSC5001R0L	TRANSISTOR	1	
	Q807	B1HBCFA00033	TRANSISTOR	1	
△	Q901	B1CERQ000057	FET	1	
	R101	D0GB394JA057	M 390KOHM J 1/10W	1	
△	R102	ERF5TJ100	W 10 OHM, J, 5W	1	
	R103	ERJ6GEYJ333V	M 33KOHM, J, 1/10W	1	
	R104	ERJ6GEYJ104V	M 100KOHM, J, 1/10W	1	
	R105	D1AB6343A023	M 634 KOHM, 0.25W	1	
	R106	ERJ3GEYJ434	M 430KOHM, J, 1/16W	1	
	R107	D1AB6343A023	M 634 KOHM, 0.25W	1	
	R108	ERJ3GEYJ223	M 22KOHM, J, 1/16W	1	
	R109	ERJ6GEYJ103V	M 10K OHM J 1/10W	1	
	R112	ERJ6GEY0R00V	M 0 OHM J 1/10W	1	
	R113	ERJ3EKF1002	M 10KOHM, 1/16W	1	
	R114	D0BF6R8JA035	M 6.8OHM, J, 0.05W	1	
	R115	D0BF6R8JA035	M 6.8OHM, J, 0.05W	1	
	R116	ERJ8GEYJ153	M 15KOHM, J, 1/8W	1	
	R117	ERJ8GEYJ153	M 15KOHM, J, 1/8W	1	
	R118	ERJ6GEYJ183V	M 18KOHM, J, 1/10W	1	
	R119	D0GB103JA057	M 10K OHM J 1/10W	1	
	R121	ERJ3GEYJ333	M 33KOHM, J, 1/16W	1	
	R122	ERX12SJ4R7	M 4.7 OHM, J, 1/2W	1	
	R123	D0GB103JA057	M 10K OHM J 1/10W	1	
	R125	D0XGR10J0003	M 0.100HM, J, 5W	1	
	R126	D0XGR10J0003	M 0.100HM, J, 5W	1	
	R127	ERJ6GEYJ331V	M 330 OHM J 1/10W	1	
	R128	ERJ6GEYJ103V	M 10K OHM J 1/10W	1	
	R129	D0GD4R7JA059	M 4.7 OHM, J, 0.25W	1	
	R130	ERJ3GEY0R00	M 0 OHM, 1/16W	1	
	R131	ERJ6GEY0R00V	M 0 OHM J 1/10W	1	
	R132	ERJ6GEY0R00V	M 0 OHM J 1/10W	1	
	R133	D1AB1004A023	M1000MOHM, 0.25W	1	
	R134	D1AB1004A023	M1000MOHM, 0.25W	1	
	R136	ERJ6GEYJ104V	M 100KOHM, J, 1/10W	1	
	R137	ERJ8GEYJ474	M 470KOHM, J, 1/8W	1	
	R138	ERJ6GEYJ123V	M 12KOHM, J, 1/10W	1	
	R139	ERJ6RBD123V	M 12KOHM, J, 1/10W	1	
	R141	EVMAASA00B23	CONTROL 2KOHMB	1	
	R147	D1AB8453A023	M 845 KOHM, 0.25W	1	
	R148	D1AB8453A023	M 845 KOHM, 0.25W	1	
	R150	ERJ6ENF9101	M 9.1KOHM, 1/10W	1	

Safety	Ref. No.	Part No.	Part Name & Description	Pcs	Remarks
	R200	D1AB3303A023	M330 KOHM, 0.25W	1	
	R201	D1AB3303A023	M330 KOHM, 0.25W	1	
	R203	D1AB3303A023	M330 KOHM, 0.25W	1	
	R204	D1AB3303A023	M330 KOHM, 0.25W	1	
	R206	ERJ6ENF3302	M 33KOHM, 1/10W	1	
	R207	ERJ6ENF1272	M12.7KOHM, 1/10W	1	
	R208	ERJ6GEYJ222V	M 2.2K OHM J 1/10W	1	
	R209	D0GB102JA057	M 1KOHM,J,1/10W	1	
	R210	ERJ3GEY0R00	M 0 OHM, 1/16W	1	
	R211	ERJ6GEYJ224	M 220KOHM,J,1/10W	1	
	R214	ERJ6GEYJ153V	M 15KOHM,J,1/10W	1	
	R215	ERJ6GEY0R00V	M 0 OHM J 1/10W	1	
	R216	D0GD4R7JA059	M 4.7 OHM,J,0.25W	1	
	R217	D0GD4R7JA059	M 4.7 OHM,J,0.25W	1	
△	R218	D0B1825JA033	M1.22MOHM,J,0.05W	1	
	R300	D0GZ181JA020	M 180 OHM,J,0.5W	1	
	R301	D0GZ181JA020	M 180 OHM,J,0.5W	1	
	R302	ERJ8GEYJ220V	M 22 OHM, J,1/8W	1	
	R303	ERJ8GEYJ220V	M 22 OHM, J,1/8W	1	
	R304	D0CF240JA010	M 24 OHM, J,1/2W	1	
	R305	D0CF240JA010	M 24 OHM, J,1/2W	1	
	R400	ERJ6GEYJ222V	M 2.2K OHM J 1/10W	1	
	R401	ERJ6GEYJ203	M 20KOHM,J,1/10W	1	
	R403	ERJ6GEYJ302V	M 3KOHM,J,1/10W	1	
	R404	ERG2SJV563	M 56KOHM, J, 2W	1	
	R405	D0GD4R7JA059	M 4.7 OHM,J,0.25W	1	
	R406	D0GD123JA059	M 12KOHM,F,0.25W	1	
	R407	ERG2SJV563	M 56KOHM, J, 2W	1	
	R408	D0GD123JA059	M 12KOHM,F,0.25W	1	
	R409	ERJ3GEYJ273	M 27KOHM,J,1/16W	1	
	R410	ERJ3GEYJ273	M 27KOHM,J,1/16W	1	
	R411	ERJ6GEYJ104V	M 100KOHM,J,1/10W	1	
	R412	ERJ6GEYJ102V	M 1K OHM J 1/10W	1	
	R413	ERJ3GEYJ104	M 100KOHM,J,1/16W	1	
	R414	D0GB105JA057	M 1M OHM F 1/10W	1	
	R415	ERJ6GEYJ103V	M 10K OHM J 1/10W	1	
	R416	D1AB7503A023	M 750 KOHM, 0.25W	1	
	R417	D1AB6343A023	M 634 KOHM, 0.25W	1	
	R418	ERJ6ENF1003	M 100KOHM, 1/10W	1	
	R500	ERJ6GEYJ221V	M 220 OHM,J,1/10W	1	
	R502	ERJ3GEYJ332	M 3.3KOHM,J,1/16W	1	
	R503	ERJ3GEYJ472	M 4.7KOHM,J,1/16W	1	
	R507	ERJ6RBD333	M 33KOHM,J,1/10W	1	
	R508	ERJ6RBD333	M 33KOHM,J,1/10W	1	
	R517	ERJ6GEYJ103V	M 10K OHM J 1/10W	1	
	R518	ERJ3GEYJ104	M 100KOHM,J,1/16W	1	
	R601	D0GB102JA057	M 1KOHM,J,1/10W	1	
	R602	ERJ3GEYJ224	M 220KOHM,J,1/16W	1	
	R604	ERJ3GEYJ104	M 100KOHM,J,1/16W	1	
	R605	ERJ3GEYJ224	M 220KOHM,J,1/16W	1	
	R608	ERJ6GEYJ102V	M 1K OHM J 1/10W	1	
	R609	ERJ3GEYJ104	M 100KOHM,J,1/16W	1	
	R610	ERJ6GEYJ101V	M 100 OHM,J,1/10W	1	

Safety	Ref. No.	Part No.	Part Name & Description	Pcs	Remarks
	R611	ERJ3GEYJ101	M 100 OHM,J,1/16W	1	
	R613	D0GB154JA057	M 150KOHM J 1/10W	1	
	R615	D0GB182JA057	M 1.8KOHM J 1/10W	1	
	R616	ERJ3GEYJ104	M 100KOHM,J,1/16W	1	
	R619	ERJ6GEYJ101V	M 100 OHM,J,1/10W	1	
	R620	D0GB102JA057	M 1KOHM,J,1/10W	1	
	R622	D0GB102JA057	M 1KOHM,J,1/10W	1	
	R623	ERJ3GEYJ104	M 100KOHM,J,1/16W	1	
	R624	ERJ6GEY0R00V	M 0 OHM J 1/10W	1	
	R625	ERJ6ENF2701	M 2.7KOHM, 1/10W	1	
	R626	ERJ3EKF3302	M 33KOHM, 1/16W	1	
	R627	D0GB103JA057	M 10K OHM J 1/10W	1	
	R628	ERJ3GEYJ222	M 2.2KOHM,J,1/16W	1	
	R630	ERJ6GEYJ101V	M 100 OHM,J,1/10W	1	
	R633	ERJ6GEY0R00V	M 0 OHM J 1/10W	1	
	R635	ERJ3GEYJ472	M 4.7KOHM,J,1/16W	1	
	R637	ERJ6RBD152	M 1.5KOHM,J,1/10W	1	
	R639	ERJ3EKF10R0	M 10 OHM, 1/16W	1	
	R641	ERJ3GEYJ472	M 4.7KOHM,J,1/16W	1	
	R643	ERJ6GEYJ103V	M 10K OHM J 1/10W	1	
	R644	ERJ8GEYJ330	M 33 OHM, J,1/8W	1	
	R645	ERJ3GEYJ333	M 33KOHM,J,1/16W	1	
	R646	D0GB102JA057	M 1KOHM,J,1/10W	1	
	R647	D0GB103JA057	M 10K OHM J 1/10W	1	
	R649	ERJ6GEYJ101V	M 100 OHM,J,1/10W	1	
	R652	ERJ6GEYJ392	M 3.9KOHM,J,1/10W	1	
	R653	ERJ6GEYJ392	M 3.9KOHM,J,1/10W	1	
	R661	ERJ6GEY0R00V	M 0 OHM J 1/10W	1	
	R662	ERJ3GEYJ104	M 100KOHM,J,1/16W	1	
	R663	ERJ3GEYJ104	M 100KOHM,J,1/16W	1	
	R700	D0GD4R7JA059	M 4.7 OHM,J,0.25W	1	
	R702	ERJ3GEYJ101	M 100 OHM,J,1/16W	1	
	R703	ERJ6GEYJ105	M 1.0 OHM,J,1/10W	1	
	R704	ERJ6GEYJ100V	M 10 OHM,J,1/10W	1	
	R706	ERJ8ENF1500	M 150 OHM, 1/8W	1	
	R707	ERJ3EKF2702V	M27.0KOHM, 1/16W	1	
	R708	ERJ6GEYJ681	M 680 OHM,J,1/10W	1	
	R709	ERJ3EKF2202	M 22KOHM, 1/16W	1	
	R711	ERJ3EKF3302	M 33KOHM, 1/16W	1	
	R712	ERJ6GEY0R00V	M 0 OHM J 1/10W	1	
	R714	ERJ6GEYJ102V	M 1K OHM J 1/10W	1	
	R726	ERJ6GEY0R00V	M 0 OHM J 1/10W	1	
	R727	ERJ6ENF1201	M 1.2KOHM, 1/10W	1	
	R728	ERJ6GEYJ101V	M 100 OHM,J,1/10W	1	
	R729	ERJ6GEYJ100V	M 10 OHM,J,1/10W	1	
	R730	ERJ8GEYJ472V	M 4.7KOHM, J,1/8W	1	
	R731	ERJ6GEYJ4R7	M 4.7 OHM,J,1/10W	1	
	R732	ERJ6ENF1802	M 18KOHM, 1/10W	1	
	R733	ERJ6GEYJ4R7	M 4.7 OHM,J,1/10W	1	
	R734	ERJ6GEYJ101V	M 100 OHM,J,1/10W	1	

Safety	Ref. No.	Part No.	Part Name & Description	Pcs	Remarks
	R736	ERJ6GEYJ101V	M 100 OHM,J,1/10W	1	
	R739	ERJ6ENF3901	M 3.9KOHM, 1/10W	1	
	R740	ERJ3GEYJ331	M 330 OHM,J,1/16W	1	
	R741	ERJ6ENF6201	M 6.2KOHM, 1/10W	1	
	R742	ERJ6ENF1003	M 100KOHM, 1/10W	1	
	R743	ERJ6ENF1002	M 10KOHM, 1/10W	1	
	R744	ERJ6ENF1001	M 1KOHM, 1/10W	1	
	R745	ERJ6GEYJ333V	M 33KOHM,J,1/10W	1	
	R746	ERJ6GEYJ103V	M 10K OHM J 1/10W	1	
	R749	ERJ6GEYOR00V	M 0 OHM J 1/10W	1	
	R750	ERJ6ENF1002	M 10KOHM, 1/10W	1	
	R752	ERJ6GEYF473	M 47KOHM,J,1/10W	1	
	R753	ERJ6ENF9102	M91.0KOHM, 1/10W	1	
	R754	ERJ6ENF9102	M91.0KOHM, 1/10W	1	
	R755	ERJ6ENF9102	M91.0KOHM, 1/10W	1	
	R756	ERJ6ENF9102	M91.0KOHM, 1/10W	1	
	R757	ERJ6ENF6802	M 68KOHM, 1/10W	1	
	R758	ERJ6ENF1503	M 150KOHM, 1/10W	1	
	R759	ERJ6ENF1503	M 150KOHM, 1/10W	1	
	R760	ERJ6ENF1503	M 150KOHM, 1/10W	1	
	R761	ERJ6ENF1503	M 150KOHM, 1/10W	1	
	R762	ERJ6ENF1603	M 160KOHM, 1/10W	1	
	R763	ERJ6ENF1502	M 15KOHM, 1/10W	1	
	R764	ERJ6ENF8201	M 8.2KOHM, 1/10W	1	
	R766	ERJ6GEYJ104V	M 100KOHM,J,1/10W	1	
	R767	ERJ6GEYJ101V	M 100 OHM,J,1/10W	1	
	R770	D0XGR01JA028	M 0.01OHM,J, 5W	1	
	R773	ERJ6ENF1802	M 18KOHM, 1/10W	1	
	R774	ERJ6GEYJ103V	M 10K OHM J 1/10W	1	
	R775	ERJ6ENF1802	M 18KOHM, 1/10W	1	
	R776	ERJ6GEYJ103V	M 10K OHM J 1/10W	1	
	R777	ERJ6GEYJ104V	M 100KOHM,J,1/10W	1	
	R778	ERJ6GEYF473	M 47KOHM,J,1/10W	1	
	R779	ERJ6GEYF473	M 47KOHM,J,1/10W	1	
	R780	ERJ6GEYOR00V	M 0 OHM J 1/10W	1	
	R781	ERJ6GEYOR00V	M 0 OHM J 1/10W	1	
	R783	ERJ6ENF2003	M 200KOHM, 1/10W	1	
	R784	ERJ6ENF3303	M 330KOHM, 1/10W	1	
	R785	ERJ6GEYJ102V	M 1K OHM J 1/10W	1	
	R786	ERJ6GEYJ104V	M 100KOHM,J,1/10W	1	
	R787	ERJ3GEYJ331	M 330 OHM,J,1/16W	1	
	R788	ERJ6GEYJ101V	M 100 OHM,J,1/10W	1	
	R789	ERJ3GEYJ334	M 330KOHM,J,1/16W	1	
	R790	ERJ3EKF3301	M 3.3KOHM, 1/16W	1	
	R792	ERJ3GEYOR00	M 0 OHM, 1/16W	1	
	R793	ERJ3GEYOR00	M 0 OHM, 1/16W	1	
	R798	ERJ3GEYOR00	M 0 OHM, 1/16W	1	
	R800	ERJ6GEYJ102V	M 1K OHM J 1/10W	1	
	R801	ERJ6GEYJ562V	M 5.6KOHM,J,1/10W	1	
	R802	ERJ3GEYJ431V	M 430 OHM,J,1/16W	1	
	R803	ERJ6RBD333	M 33KOHM,J,1/10W	1	
	R804	ERJ6RBD622	M 6.2KOHM,J,1/10W	1	
	R807	ERJ3GEYD274V	M 270KOHM,J,1/16W	1	
	R808	D0GB102JA057	M 1KOHM,J,1/10W	1	
	R809	D0GB184JA057	M 180KOHM J 1/10W	1	
	R810	D0GB473JA057	M 47KOHM,J,1/10W	1	
	R811	ERJ3GEYJ104	M 100KOHM,J,1/16W	1	
	R812	ERJ6GEYJ103V	M 10K OHM J 1/10W	1	

Safety	Ref. No.	Part No.	Part Name & Description	Pcs	Remarks
	R900	ERJ8GEYJ222V	M 2.2KOHM, J,1/8W	1	
	R901	ERJ6GEYOR00V	M 0 OHM J 1/10W	1	
	R902	D0GF101JA047	M 100 OHM,J,0.33W	1	
	R903	D0XGR05JA028	M 0.05OHM,J, 5W	1	
	R905	ERJ8GEYJ103	M 10KOHM, J,1/8W	1	
	R906	ERJ8GEYJ222V	M 2.2KOHM, J,1/8W	1	
	R907	ERJ6ENF3301	M 3.3KOHM, 1/10W	1	
	R908	ERJ6ENF3301	M 3.3KOHM, 1/10W	1	
	R909	D0GB473JA057	M 47KOHM,J,1/10W	1	
	R910	ERJ3GEYJ333	M 33KOHM,J,1/16W	1	
	R911	ERJ3GEYD153V	M 15KOHM,J,1/16W	1	
	R912	ERJ6GEYJ331V	M 330 OHM J 1/10W	1	
	R913	ERJ6RBD152	M 1.5KOHM,J,1/10W	1	
	R914	ERJ6GEYJ102V	M 1K OHM J 1/10W	1	
	R915	ERJ6GEYOR00V	M 0 OHM J 1/10W	1	
	R916	ERJ6ENF1103	M 110KOHM, 1/10W	1	
	R917	ERJ6ENF1003	M 100KOHM, 1/10W	1	
	R918	ERJ6ENF8201	M 8.2KOHM, 1/10W	1	
	R919	ERJ6GEYOR00V	M 0 OHM J 1/10W	1	
	R921	ERJ8GEYJ101V	M 100 OHM, J,1/8W	1	
	R922	ERX12S5R6	M 5.6 OHM, J,1/2W	1	
	R923	EVMAASA00B23	CONTROL 2KOHMB	1	
	R924	ERJ8GEYJ103	M 10KOHM, J,1/8W	1	
	R926	ERJ6ENF2003	M 200KOHM, 1/10W	1	
	R927	ERJ6ENF2003	M 200KOHM, 1/10W	1	
	R928	ERJ6ENF2202	M 2.2KOHM, 1/10W	1	
	R933	ERJ8GEYJ101V	M 100 OHM, J,1/8W	1	
	R941	D0XGR10J0003	M 0.100HM,J, 5W	1	
	R942	ERJ6GEYJ222V	M 2.2K OHM J 1/10W	1	
	R943	ERJ6GEYJ223	M 22KOHM,J,1/10W	1	
	R944	ERJ6ENF1001	M 1KOHM, 1/10W	1	
	R945	ERJ6ENF9102	M91.0KOHM, 1/10W	1	
	R946	ERJ6GEYF473	M 47KOHM,J,1/10W	1	
	R947	ERJ6GEYF473	M 47KOHM,J,1/10W	1	
	R948	ERJ6GEYJ223	M 22KOHM,J,1/10W	1	
	R949	ERJ6GEYOR00V	M 0 OHM J 1/10W	1	
	R950	ERJ6ENF4702	M 47KOHM, 1/10W	1	
	△	RL101	K6B1AYY00057	RELAY	1
	△	RL102	K6B1AYY00057	RELAY	1
	△	S102	J0LV00000011	SERGE ABSORBER	1
		T100	G4DYA0000206	SWITCHING TRANS	1
	△	T200	ETS15AC116AH	SWITCHING TRANSFORMER	1
	△	T300	G4DYA0000194	SWITCHING TRANSFORMER	1
	△	T301	ETS42LZ1BGAD	SWITCHING TRANSFORMER	1
	△	T400	ETS29AZ2YGAD	SWITCHING TRANSFORMER	1
		T900	ETS28AU3KGAD	SWITCHING TRANSFORMER	1
		TP700	G0ZZ00002183	PEAKING COIL	1
		TP900	G0ZZ00002183	PEAKING COIL	1
		VR251	EVMAASA00B33	CONTROL 3KOHMB	1
		X600	H2B400400021	CRYSTAL	1
		Z1	K4CZ01000027	AV TERMINAL	1
		Z2	K4CZ01000027	AV TERMINAL	1
		Z3	K4CZ01000027	AV TERMINAL	1

Safety	Ref. No.	Part No.	Part Name & Description	Pcs	Remarks
△	ZN100	D4EAD6210001	VARISTOR	1	
△	ZN101	D4EAB681A011	VARISTOR	1	
△	ZN102	D4EAD6210001	VARISTOR	1	
△	ZN200	D4EA8511A001	VARISTOR	1	
△	ZN201	D4EA8511A001	VARISTOR	1	