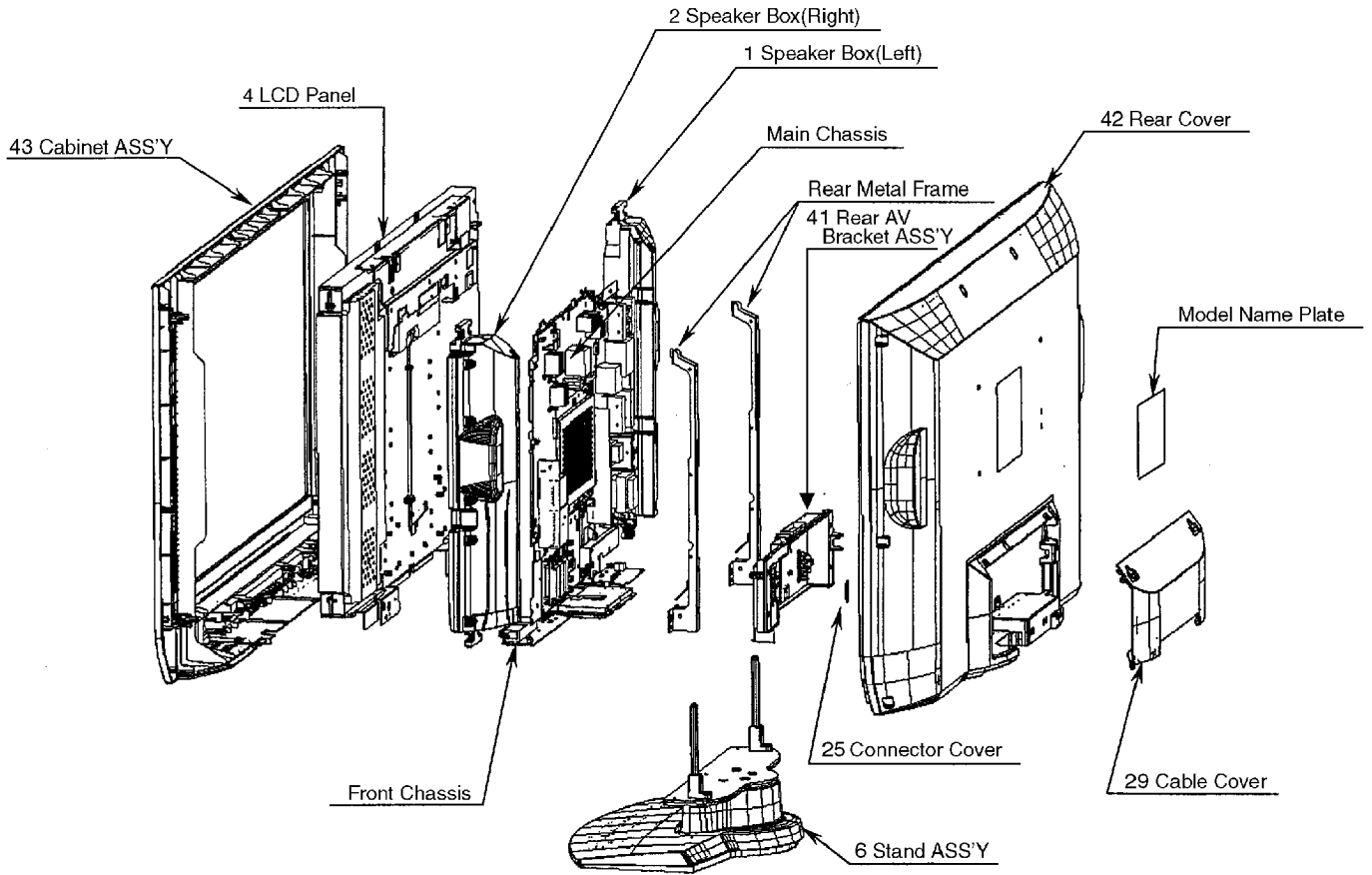


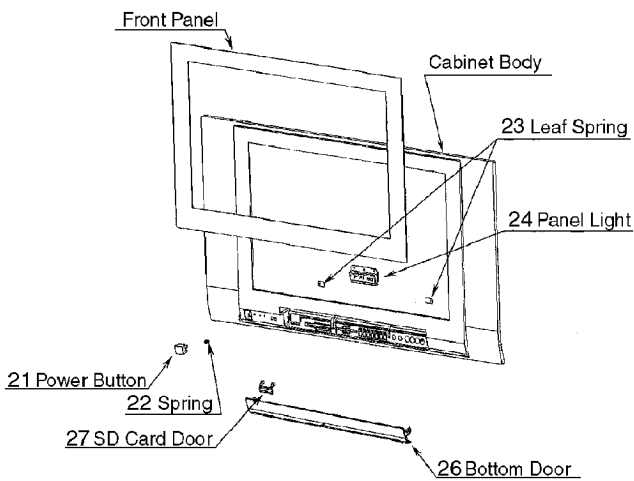
# 11 Parts Location & Mechanical Replacement Parts List

## 11.1. Parts Location

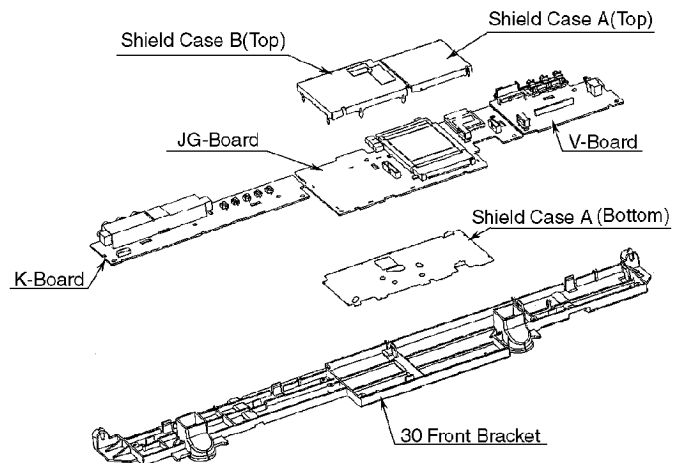
- Set Layout



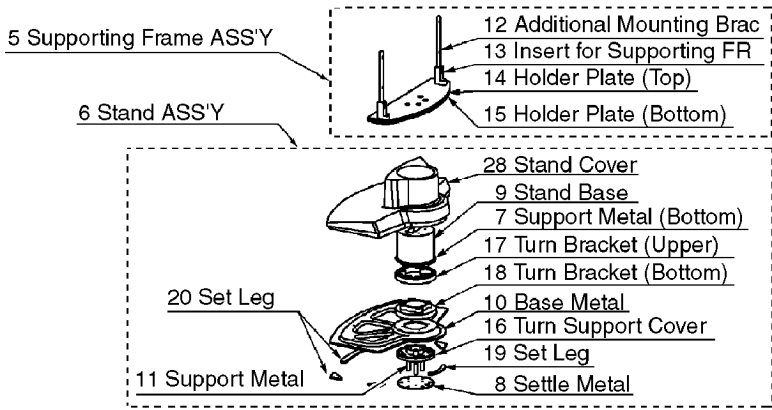
- Cabinet ASS'Y Layout



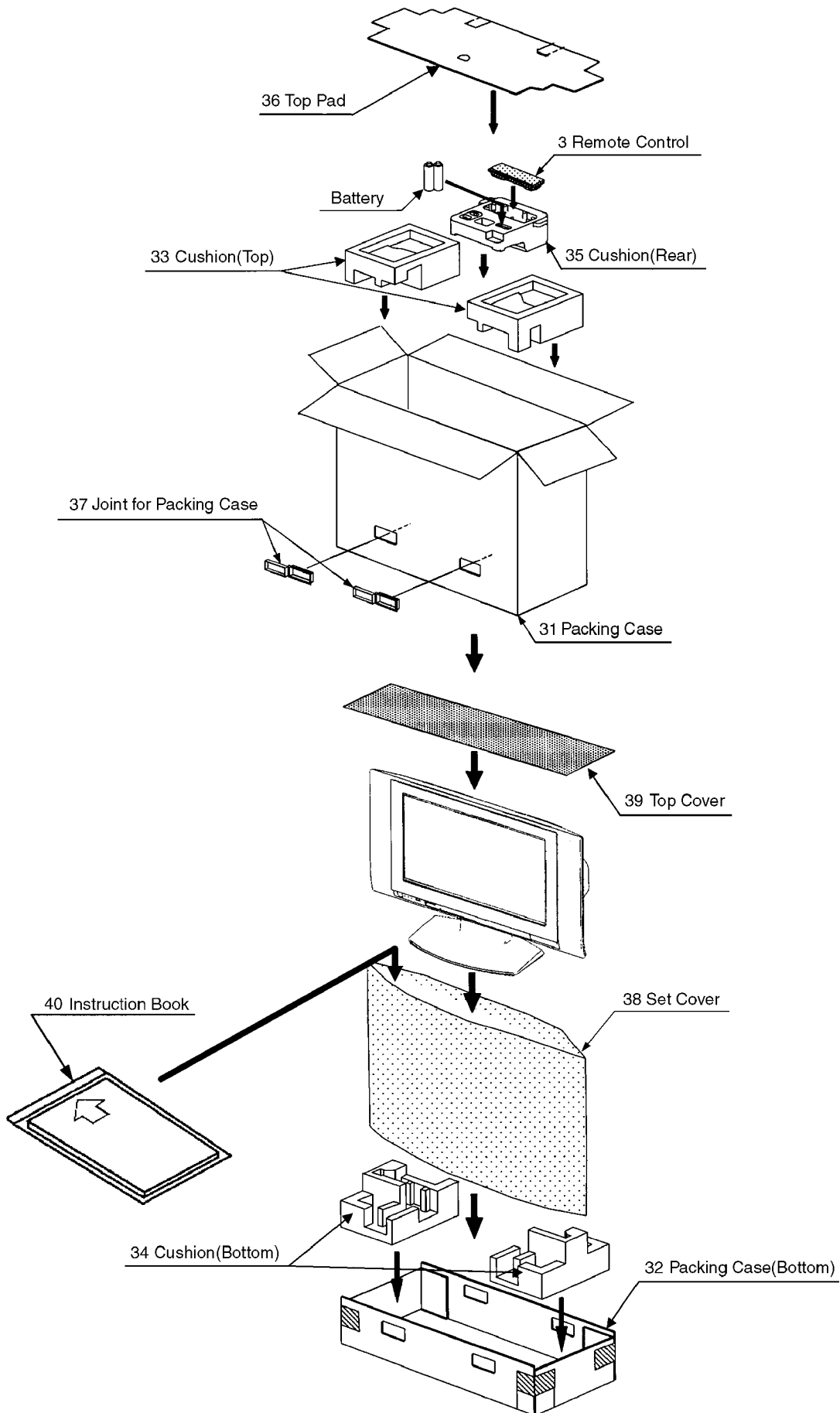
- Front Chassis Layout



• Supporting Frame ASS'Y and Stand ASS'Y Layout



## 11.2. Packing Exploded View



## 11.3. Mechanical Replacement Parts List

Ref. No.	Part No.	Part Name & Description	Pcs	Remarks
1	EAB828BL2	SPEAKER BOX (LEFT)	1	
2	EAB828BR2	SPEAKER BOX (RIGHT)	1	
3	EUR7635020	REMOTE CONTROL	1	
	J0KF00000018	FILTER	3	
	J0KG00000100	FILTER	1	
	K1YY68000008	PC CARD CONNECTOR (FRAME)	1	
	K2CQ2DZ00003	AC CORD	1	△
	K5D502BNA001	AC FUSE	1	△
4	L5EDD8Q00002	LCD PANEL	1	△
5	TBLA0112-1	SUPPORTING FRAME ASS'Y	1	
6	TBLA0113	STAND ASS'Y	1	
7	TBLA3176	SUPPORT METAL (BOTTOM)	1	
8	TBLA3178	SETTLE METAL	1	
9	TBLA3219	STAND BASE	1	
10	TBLA3220	BASE METAL	1	
11	TBLA3221	SUPPORT METAL	3	
12	TBLA3224	ADDITIONAL MOUNTING BRAC	2	
13	TBLA3225	INSERT FOR SUPPORTING FR	2	
14	TBLA3230	HOLDER PLATE (TOP)	1	
15	TBLA3231	HOLDER PLATE (BOTTOM)	1	
16	TBLB3096	TURN SUPPORT COVER	1	
17	TBLB3097	TURN BRACKET (UPPER)	1	
18	TBLB3098	TURN BRACKET (BOTTOM)	1	
19	TBLG3059	SET LEG	1	
20	TBLG3060	SET LEG	5	
21	TBXA40102	POWER BUTTON	1	
22	TES4G204	SPRING	1	
23	TESA214	LEAF SPRING	2	
24	TKKC5183	PANEL LIGHT	1	
25	TKKL5141-3	CONNECTOR COVER	1	
26	TKPA81502	BOTTOM DOOR	1	
27	TKPA81601	SD CARD DOOR	1	
28	TKRA36001	STAND COVER	1	
29	TKXA16601	CABLE COVER	1	
	TMM27463	SPACER	1	
	TMM6425-1	LEAD CLAMPER	1	
	TMM7443-3	CLAMPER	3	
	TMM76416-1	CLAMPER	6	
	TMME061	CLAMPER	4	
	TMME110	CLAMPER	1	
	TMME190	CLAMPER	2	
	TMME224	CLAMPER	3	
	TMMJ044	SPEAKER RUBBER	8	
30	TMWA041-1	FRONT BRACKET	1	
	TMWJ042	LED HOLDER	1	
31	TPCB47002	PACKING CASE	1	△
32	TPCB47101	PACKING CASE (BOTTOM)	1	
33	TPDA0825	CUSHION (TOP)	1	
34	TPDA0826	CUSHION (BOTTOM)	1	
35	TPDA0839	CUSHION (REAR)	1	
36	TPDF1124	TOP PAD	1	
37	TPDX0007	JOINT FOR PACKING CASE	4	
38	TPEH229	SET COVER	1	
39	TPEH231	TOP COVER	1	
40	TQBC0697-1	INSTRUCTION BOOK (ENGLISH)	1	TX-32LX1F/P △
40	TQBC0698-1	INSTRUCTION BOOK (GERMANY)	1	TX-32LX1F △
40	TQBC0699-1	INSTRUCTION BOOK (FRENCH)	1	TX-32LX1F △
40	TQBC0700-1	INSTRUCTION BOOK (ITALIAN)	1	TX-32LX1F/V △

Ref. No.	Part No.	Part Name & Description	Pcs	Remarks
40	TQBC0701-1	INSTRUCTION BOOK (SPANISH)	1	TX-32LX1F △
40	TQBC0702-1	INSTRUCTION BOOK (DUTCH)	1	TX-32LX1F △
40	TQBC0703-1	INSTRUCTION BOOK (DANISH)	1	TX-32LX1F △
40	TQBC0704-1	INSTRUCTION BOOK (SWEDISH)	1	TX-32LX1F △
40	TQBC0706	INSTRUCTION BOOK (POLAND)	1	TX-32LX1P △
40	TQBC0707	INSTRUCTION BOOK (BULGARIA)	1	TX-32LX1P △
40	TQBC0708	INSTRUCTION BOOK (RUMANIA)	1	TX-32LX1P △
40	TQBC0709	INSTRUCTION BOOK (HUNGARY)	1	TX-32LX1P △
40	TQBC0710	INSTRUCTION BOOK (CZECH)	1	TX-32LX1P △
	TSXL336	CABLE (A2-H1)	1	
	TSXL337-1	CABLE (DG1-A1) (AP5-DG2)	2	
	TSXL338	CABLE (AP2-A5)	1	
	TSXL339-1	CABLE (DG5-PANEL)	1	
	TSXL353	CABLE (A4-H2)	1	
41	TTPA0359	REAR AV BRACKET ASS'Y	1	
42	TTUA0838	REAR COVER	1	TX-32LX1F △
42	TTUA0839	REAR COVER	1	TX-32LX1P △
42	TTUA0840	REAR COVER	1	TX-32LX1V △
43	TTYA0627	CABINET ASS'Y	1	△
	TXJA210KZK	SPEAKER LEAD A21-SP (LEFT)	1	
	TXJA220KZK	SPEAKER LEAD A22-SP (RIGHT)	1	
	XSB5+30FY	SCREW	3	
	XSN2+6	SCREW	4	
	XSN4+12FY	SCREW	8	
	XSS4+14FZ	SCREW	4	
	XSS4+6FZ	SCREW	5	
	XSS6+16FZ	SCREW	4	
	XTB4+10J	SCREW	7	
	XTB4+15A	SCREW	10	
	XTB4+18JFZ	SCREW	14	
	XTS4+12J	SCREW (STAND)	2	
	XTV3+10JFZ	SCREW	2	
	XTV3+12A	SCREW	3	
	XTW3+8T	SCREW	30	
	XTW4+Z15D	SCREW	8	
	XWC4BFY	WASHER	8	
	XWC5BFY	WASHER	3	
	XYN3+C8	SCREW	8	
	XYN3+J8	SCREW	2	
	XYN4+C12FY	SCREW	2	
	XYN4+F10	SCREW	4	
	XYN4+F20FZ	SCREW	4	

# 12 Replacement Parts List

## 12.1. Replacement Parts List Notes

### Important Safety Notice

*Components identified by  $\triangle$  mark have special characteristics important for safety. When replacing any of these components, use only manufacturer's specified parts.*

#### RTL (Retention Time Limited)

**Note:** The marking (RTL) indicates that the Retention Time is Limited for this item. After the discontinuation of this assembly in production, the item will continue to be available for a specific period of time. The retention period of availability is dependant on the type of assembly, and in accordance with the laws governing part and product retention. After the end of this period, the assembly will no longer be available.

Abbreviation of part name and description

#### 1. Resistor

Example:

ERD25TJ104    C 100KOHM, J, 1/4W  
                   Type            Allowance

#### 2. Capacitor

Example:

ECKF1H103ZF    C 0.01UF, Z, 50V  
                                   Type            Allowance

Type	Allowance
C : Carbon	F : $\pm 1\%$
F : Fuse	G : $\pm 2\%$
M : Metal Oxide Metal Film	J : $\pm 5\%$
S : Solid	K : $\pm 10\%$
W : Wire Wound	M : $\pm 20\%$

Type	Allowance
C : Ceramic	C : $\pm 0.25\text{pF}$
E : Electrolytic	D : $\pm 0.5\text{pF}$
P : Polyester	F : $\pm 1\text{pF}$
Polypropylene	G : $\pm 3\text{pF}$
T : Tantalum	J : $\pm 5\text{pF}$
	K : $\pm 10\text{pF}$
	L : $\pm 15\text{pF}$
	M : $\pm 20\text{pF}$
	P : +100%, -0%
	Z : +80%, -20%

## 12.2. Electrical Replacement Parts List

Ref. No.	Part No.	Part Name & Description	Pcs	Remarks
A1,A2	K1MN50A00005	50P CONNECTOR	2	
A3	K1KA20B00103	20P CONNECTOR	1	
A4	K1MN30A00048	30P CONNECTOR	1	
A5	K1MN20A00068	20P CONNECTOR	1	
A6	K1KA15A00064	15P CONNECTOR	1	
A7	K1KA09A00064	9P CONNECTOR	1	
A21,22	TJS118600	3P CONNECTOR	2	K1KA03A00170
AP1	TJS169560	6P CONNECTOR	1	K1KA06A00188
AP2	K1MN20A00068	20P CONNECTOR	1	
AP3	K1KA02A00104	2P CONNECTOR	1	
AP4	K1KB11A00024	11P CONNECTOR	1	
AP5	K1MN50A00005	50P CONNECTOR	1	
AP7	TJS1A8840	8P CONNECTOR	1	K1KA08A00221
C001	ECJ2VF1C104Z	C 0.1UF, Z, 16V	1	
C003	ECJ2VF1C105Z	C 1UF, Z, 16V	1	
C004	F2A0J331A137	E 330UF, 6.3V	1	
C005	ECJ2XB1H104K	C 0.1UF, K, 50V	1	
C008	F2A0J331A137	E 330UF, 6.3V	1	
C009	ECJ2VF1C105Z	C 1UF, Z, 16V	1	
C012	EEVHB1V470P	E 47UF, 35V	1	
C801	ECJ2XB1H103K	C 0.01UF, K, 50V	1	
C802	ECA1HM100	E 10UF, 50V	1	
C803	EEUED2W220SB	E 22UF, 200V	1	
C804	ECJ2XB1H471K	C 470PF, K, 50V	1	
C805	ECQM4103KZ3	P 0.01UF, J, 400V	1	
C806	ECA1HM101	E 100UF, 50V	1	
C808	ECKCNA471MBB	C 470PF, Z,	1	△
C809	ECKD3A471KBP	C 470PF, K, 1KV	1	
C810	ECKD3A472KBP	C 4700PF, K, 1KV	1	
C811	EEUFCA1A222	E 2200UF, 10V	1	
C813	EEUFCA1A222	E 2200UF, 10V	1	
C814	ECA1HM010	E 1UF, 50V	1	
C815,16	ECKD3A471KBP	C 470PF, K, 1KV	2	
C817	EEUFCA1A222	E 2200UF, 10V	1	
C818	ECA1JM220	E 220UF, 10V	1	
C819	ECA1EM102	E 1000UF, 25V	1	
C820-22	ECJ2XB1H103K	C 0.01UF, K, 50V	3	
C823	EEUFCA1E471	E 470UF, 25V	1	
C825	EEUFCA1E221	E 220UF, 25V	1	
C826	EEUFCA1E471	E 470UF, 25V	1	
C829,30	EEUFCA1A471	E 470UF, 10V	2	
C832	EEUFCA1C471	E 470UF, 16V	1	
C834	ECJ2XB1H103K	C 0.01UF, K, 50V	1	
C836	ECJ2XB1H103K	C 0.01UF, K, 50V	1	
C838	ECJ2XB1H103K	C 0.01UF, K, 50V	1	
C839,40	ECJ2XB1H104K	C 0.1UF, K, 50V	2	
C842	ECJ2XB1H104K	C 0.1UF, K, 50V	1	
C845	ECJ2XB1H103K	C 0.01UF, K, 50V	1	
C846	ECA1CM101	E 100UF, 16V	1	
C847	EEUFCA1E471	E 470UF, 25V	1	
C851	ECJ2XB1H103K	C 0.01UF, K, 50V	1	
C853	ECJ2XB1H103K	C 0.01UF, K, 50V	1	
C855	EEUFCA1V101	E 100UF, 35V	1	
C856	EEUFCA1A471	E 470UF, 10V	1	
C857	ECA1CM101	E 100UF, 16V	1	
C859	ECJ2XB1H103K	C 0.01UF, K, 50V	1	
C861	ECJ2XB1H104K	C 0.1UF, K, 50V	1	
C862	EEVHB1A330R	E 33UF, 10V	1	
C865,66	ECJ2XB1H104K	C 0.1UF, K, 50V	2	
C867	ECJ2VB1C224K	C 0.22UF, K, 16V	1	
C870	EEUFCA1A471	E 470UF, 10V	1	
C871	F2A1E471A096	E 470UF, 25V	1	
C875	ECA1HM100	E 10UF, 50V	1	
C877	ECJ2YB0J225K	C 2.2UF, K, 6.3V	1	
C878,79	ECA1HM010	E 1UF, 50V	2	
C880	ECJ2VF1H104Z	C 0.1UF, Z, 50V	1	
C881	ECA1EM102	E 1000UF, 25V	1	
C882	ECA1HM100	E 10UF, 50V	1	

Ref. No.	Part No.	Part Name & Description	Pcs	Remarks
C883	ECA1HM010	E 1UF, 50V	1	
C884	ECJ2XB1H104K	C 0.1UF, K, 50V	1	
C1000	ECJ2XB1H103K	C 0.01UF, K, 50V	1	
C1002	ECA1CM470	E 47UF, 16V	1	
C1101	ECJ1XB0J105K	C 1UF, K, 16V	1	
C1102	ECJ1XB1C104K	C 0.1UF, Z, 16V	1	
C1103	ECJ1VB1H103K	C 0.01UF, K, 50V	1	
C1104	ECJ1XB0J105K	C 1UF, K, 16V	1	
C1105	ECJ1XB1C104K	C 0.1UF, Z, 16V	1	
C1107	EEVHB0G101R	E 100UF 4V	1	
C1108,09	ECJ1XB1C104K	C 0.1UF, Z, 16V	2	
C1111	ECJ1XB0J105K	C 1UF, K, 16V	1	
C1114	EEVHB1C470P	E 47UF, 16V	1	
C1115-17	ECJ1XB1C104K	C 0.1UF, Z, 16V	3	
C1118	EEVHB0G101R	E 100UF 4V	1	
C1119	EEVHB1C100R	E 10UF, 16V	1	
C1120	ECJ1XC1H102J	C 1000PF, J, 50V	1	
C1121	ECJ1XB1C104K	C 0.1UF, Z, 16V	1	
C1122	ECJ1VB1H103K	C 0.01UF, K, 50V	1	
C1123	EEVHB0G101R	E 100UF 4V	1	
C1124	ECJ1XB1C104K	C 0.1UF, Z, 16V	1	
C1126	ECJ1XC1H102J	C 1000PF, J, 50V	1	
C1128-31	ECJ1XB1C104K	C 0.1UF, Z, 16V	4	
C1132	ECJ1XC1H151J	C 150PF, J, 50V	1	
C1134	ECJ1XB1C104K	C 0.1UF, Z, 16V	1	
C1135	ECJ1XC1H180J	C 18PF, J, 50V	1	
C1136	ECJ1XC1H102J	C 1000PF, J, 50V	1	
C1137	ECJ1XB1C104K	C 0.1UF, Z, 16V	1	
C1138	ECJ1VB1H221K	C 220UF, K, 50V	1	
C1139	ECJ1XC1H220J	C 22PF, J, 50V	1	
C1140	ECJ1XB1C104K	C 0.1UF, Z, 16V	1	
C1142	ECJ1XC1H102J	C 1000PF, J, 50V	1	
C1143	ECJ1VB1H221K	C 220UF, K, 50V	1	
C1144	ECJ1XB1C104K	C 0.1UF, Z, 16V	1	
C1146	EEVHB1C100R	E 10UF, 16V	1	
C1147	ECJ1XB1C104K	C 0.1UF, Z, 16V	1	
C1148	ECJ1XC1H102J	C 1000PF, J, 50V	1	
C1149-54	ECJ1XB1C104K	C 0.1UF, Z, 16V	6	
C1156	EEVHB1C470P	E 47UF, 16V	1	
C1157	ECJ1XB1C104K	C 0.1UF, Z, 16V	1	
C1158	EEHB0G101R	C 100PF, J, 4V	1	
C1159	ECJ1XB0J105K	C 1UF, K, 16V	1	
C1162	ECJ1XB1C104K	C 0.1UF, Z, 16V	1	
C1165	ECJ1XB1C104K	C 0.1UF, Z, 16V	1	
C1167	ECJ1XB1C104K	C 0.1UF, Z, 16V	1	
C1171	ECJ1XB1C104K	C 0.1UF, Z, 16V	1	
C1173,74	ECJ1XB1C104K	C 0.1UF, Z, 16V	2	
C1175	EEVHB0G101R	E 100UF 4V	1	
C1176	ECJ1XB1C104K	C 0.1UF, Z, 16V	1	
C1177	ECJ1XB0J105K	C 1UF, K, 16V	1	
C1178,79	ECJ1XC1H271J	C 270PF, J, 50V	2	
C1180	ECJ1XB1C104K	C 0.1UF, Z, 16V	1	
C1181-83	ECJ1XC1H271J	C 270PF, J, 50V	3	
C1184-86	ECJ1XB1C104K	C 0.1UF, Z, 16V	3	
C1193	ECJ1VB1H103K	C 0.01UF, K, 50V	1	
C1194	ECJ1XB0J105K	C 1UF, K, 16V	1	
C1195-00	ECJ1XB1C104K	C 0.1UF, Z, 16V	6	
C1202	ECJ1XB1C104K	C 0.1UF, Z, 16V	1	
C1203-05	ECJ1XB0J105K	C 1UF, K, 16V	3	
C2101,02	ECJ3XB1C105K	C 1UF, K, 16V	2	
C2105-08	ECJ3XB1C105K	C 1UF, K, 16V	4	

Ref. No.	Part No.	Part Name & Description	Pcs	Remarks
C2111	ECJ1VF1A105Z	C 1UF, Z, 10V	1	
C2112	EEVHB1C220R	E 22UF, 16V	1	
C2113-15	ECJ1VF1A105Z	C 1UF, Z, 10V	3	
C2116-19	ECJ1VF1H103Z	C 0.01UF, Z, 50V	4	
C2120-26	ECJ1VF1A105Z	C 1UF, Z, 10V	7	
C2127	ECJ1VF1H103Z	C 0.01UF, Z, 50V	1	
C2128	ECJ1VF1A105Z	C 1UF, Z, 10V	1	
C2129	ECJ1VF1H103Z	C 0.01UF, Z, 50V	1	
C2130	ECA1CM101	E 100UF, 16V	1	
C2131	ECJ1XF1C104Z	C 0.1UF, Z, 16V	1	
C2132,33	ECJ1XC1H102J	C 1000PF, J, 50V	2	
C2136	ECJ1VB1H103K	C 0.01UF, K, 50V	1	
C2137	ECJ3XB1C105K	C 1UF, K, 16V	1	
C2138	ECJ1VB1H103K	C 0.01UF, K, 50V	1	
C2139	ECJ3XB1C105K	C 1UF, K, 16V	1	
C2140,41	ECJ1VB1H103K	C 0.01UF, K, 50V	2	
C2142,43	ECA1HM100	E 10UF, 50V	2	
C2147	ECJ1XF1C104Z	C 0.1UF, Z, 16V	1	
C2150	ECJ1XF1C104Z	C 0.1UF, Z, 16V	1	
C2152	ECA1HM3R3	E 3.3UF, 50V	1	
C2153	ECJ1XF1C104Z	C 0.1UF, Z, 16V	1	
C2154	F2A1C471A123	E 470UF, 16V	1	
C2156	ECJ1XF1C104Z	C 0.1UF, Z, 16V	1	
C2158	ECA1CM101	E 100UF, 16V	1	
C2160,61	ECJ1XF1C104Z	C 0.1UF, Z, 16V	2	
C2162	ECA1HM100	E 10UF, 50V	1	
C2163	ECJ1VF1A105Z	C 1UF, Z, 10V	1	
C2165	ECJ1XC1H470J	C 47PF, J, 50V	1	
C2166	ECJ1VB1H103K	C 0.01UF, K, 50V	1	
C2168	ECA1CM101	E 100UF, 16V	1	
C2169,70	ECJ1VC1H010C	C 1PF, C, 50V	2	
C2171	ECA1CM101	E 100UF, 16V	1	
C2172	ECJ1XC1H470J	C 47PF, J, 50V	1	
C2173	ECJ1VC1H560J	C 56PF, J, 50V	1	
C2174	ECJ1XF1C104Z	C 0.1UF, Z, 16V	1	
C2176	ECJ1XC1H100D	C 10PF, D, 50V	1	
C2178	ECJ1XC1H220J	C 22PF, J, 50V	1	
C2180	ECJ1XC1H100D	C 10PF, D, 50V	1	
C2203,04	F2A1E471A096	E 470UF, 25V	2	
C2205,06	ECA1CM101	E 100UF, 16V	2	
C2211,12	ECQV1H104JM	P 0.1UF, J, 50V	2	
C2213	ECQV1H225JM	P 2.2UF, J, 50V	1	
C2214,15	ECQV1H104JM	P 0.1UF, J, 50V	2	
C2216	ECQV1H225JM	P 2.2UF, J, 50V	1	
C2217,18	F2A1E471A096	E 470UF, 25V	2	
C2219,20	ECQB1H473JF	P 0.047UF, J, 50V	2	
C2221,22	ECJ1XC1H102J	C 1000PF, J, 50V	2	
C2224,25	ECA1VM221	E 220UF, 35V	2	
C2228	ECA1VM470	E 47UF, 35V	1	
C2229	ECA1HM330	E 33UF, 50V	1	
C2230	ECA1HHG2R2	E 2.2UF, 50V	1	
C2231	ECA1VM470	E 47UF, 35V	1	
C2232	ECA1HM330	E 33UF, 50V	1	
C2233	ECA1HHG2R2	E 2.2UF, 50V	1	
C2234	F2A1H2R2A122	E 2.2UF, 50V	1	
C2235	ECJ1VB1H682K	C 6800PF, K, 50V	1	
C2236	F2A1H2R2A122	E 2.2UF, 50V	1	
C2237	ECJ1VB1H682K	C 6800PF, K, 50V	1	
C2238	ECJ1VB1H103K	C 0.01UF, K, 50V	1	
C2239	F1H1A1050028	E 1UF, 50V	1	

Ref. No.	Part No.	Part Name & Description	Pcs	Remarks
C2240	ECJ1VB1H103K	C 0.01UF, K, 50V	1	
C2241	F1H1A1050028	E 1UF, 50V	1	
C2244,45	F1H1A1050028	E 1UF, 50V	2	
C2247	ECA1HHG100	E 10UF, 50V	1	
C2250	ECJ1VB1H103K	C 0.01UF, K, 50V	1	
C2251	ECA1EHG221	E 220UF, 25V	1	
C2252	ECA1HHG4R7	E 4.7UF, 50V	1	
C2253	ECJ1XC1H102J	C 1000PF, J, 50V	1	
C2254-56	ECJ1VF1H103Z	C 0.01UF, Z, 50V	3	
C2301,02	ECJ1XF1C104Z	C 0.1UF, Z, 16V	2	
C2303	ECJ1VF1H103Z	C 0.01UF, Z, 50V	1	
C2304-08	ECJ1XF1C104Z	C 0.1UF, Z, 16V	5	
C3000	ECA1HM010	E 1UF, 50V	1	
C3002	ECJ2VB1H333K	C 0.033UF, K, 50V	1	
C3004	ECJ2VB1H333K	C 0.033UF, K, 50V	1	
C3005	ECJ2XC1H561J	C 560PF, J, 50V	1	
C3007	ECJ2XC1H561J	C 560PF, J, 50V	1	
C3101-03	ECJ1XC1H102J	C 1000PF, J, 50V	3	
C3107-09	ECJ3XB0J106M	C 10UF, M, 6.3V	3	
C3110	ECJ1XB1C104K	C 0.1UF, Z, 16V	1	
C3111-13	ECJ3XB0J106M	C 10UF, M, 6.3V	3	
C3114-16	ECJ1XF1C104Z	C 0.1UF, Z, 16V	3	
C3122	ECJ1XF1C104Z	C 0.1UF, Z, 16V	1	
C3123,24	F1H1A1050028	E 1UF, 50V	2	
C3125	ECJ1XF1C104Z	C 0.1UF, Z, 16V	1	
C3130,31	F1H1A1050028	E 1UF, 50V	2	
C3132	ECJ1XF1C104Z	C 0.1UF, Z, 16V	1	
C3133,34	F1H1A1050028	E 1UF, 50V	2	
C3139	ECJ1XF1C104Z	C 0.1UF, Z, 16V	1	
C3140-42	F1H1A1050028	E 1UF, 50V	3	
C3143,44	ECJ1XF1C104Z	C 0.1UF, Z, 16V	2	
C3145,46	F1H1A1050028	E 1UF, 50V	2	
C3147	F2A1C471A123	E 470UF, 16V	1	
C3148	ECJ1XF1C104Z	C 0.1UF, Z, 16V	1	
C3152	F1H1A1050028	E 1UF, 50V	1	
C3154	F1H1A1050028	E 1UF, 50V	1	
C3156	F1H1A1050028	E 1UF, 50V	1	
C3158	F1H1A1050028	E 1UF, 50V	1	
C3161	ECJ1XF1C104Z	C 0.1UF, Z, 16V	1	
C3163	F1H1A1050028	E 1UF, 50V	1	
C3165	F1H1A1050028	E 1UF, 50V	1	
C3167	ECJ1XF1C104Z	C 0.1UF, Z, 16V	1	
C3168	F1H1A1050028	E 1UF, 50V	1	
C3171	F1H1A1050028	E 1UF, 50V	1	
C3172	EEVHB1C220R	E 22UF, 16V	1	
C3174	F1H1A1050028	E 1UF, 50V	1	
C3177	ECJ1XF1C104Z	C 0.1UF, Z, 16V	1	
C3180,81	ECJ1XF1C104Z	C 0.1UF, Z, 16V	2	
C3184	ECJ1XF1C104Z	C 0.1UF, Z, 16V	1	
C3187	ECJ1XF1C104Z	C 0.1UF, Z, 16V	1	
C3190	ECJ1XF1C104Z	C 0.1UF, Z, 16V	1	
C3191	F1H1A1050028	E 1UF, 50V	1	
C3192	ECJ1XF1C104Z	C 0.1UF, Z, 16V	1	
C3193,94	F1H1A1050028	E 1UF, 50V	2	
C3195-97	ECJ1XF1C104Z	C 0.1UF, Z, 16V	3	
C3205-07	ECJ1XF1C104Z	C 0.1UF, Z, 16V	3	
C3330,31	EEVHB0J101P	E 100UF, 6.3V	2	
C3332	EEVHB1H4R7	E 4.7UF, 50V	1	

Ref. No.	Part No.	Part Name & Description	Pcs	Remarks
C3333	EEVHB1H2R2	E 2.2UF, 50V	1	
C3334	EEVHB1C470P	E 47UF, 16V	1	
C3335	ECJ1XB1C104K	C 0.1UF, Z, 16V	1	
C3336	ECJ1XF1C104Z	C 0.1UF, Z, 16V	1	
C3337	ECJ1XB1C104K	C 0.1UF, Z, 16V	1	
C3339	ECJ1XF1C104Z	C 0.1UF, Z, 16V	1	
C3341	ECJ1XF1C104Z	C 0.1UF, Z, 16V	1	
C3571-74	ECJ1XF1C104Z	C 0.1UF, Z, 16V	4	
C3601	ECJ1XF1C104Z	C 0.1UF, Z, 16V	1	
C3603,04	ECJ1XF1C104Z	C 0.1UF, Z, 16V	2	
C3605	ECJ1VF1H103Z	C 0.01UF, Z, 50V	1	
C3607	ECJ1XF1C104Z	C 0.1UF, Z, 16V	1	
C3608	EEVHB0J101P	E 100UF, 6.3V	1	
C3609	ECJ1XF1C104Z	C 0.1UF, Z, 16V	1	
C3610	F2A0J101A131	E 1000UF, 6.3V	1	
C3616	ECJ1XF1C104Z	C 0.1UF, Z, 16V	1	
C3617	ECJ1VF1H104Z	C 0.1UF, Z, 50V	1	
C3618-20	ECJ1XF1C104Z	C 0.1UF, Z, 16V	3	
C3621	ECA1EM101	E 100UF, 25V	1	F2A1E101A096
C3622,23	ECJ1XF1C104Z	C 0.1UF, Z, 16V	2	
C3625-27	ECJ1XF1C104Z	C 0.1UF, Z, 16V	3	
C3629-32	ECJ1XF1C104Z	C 0.1UF, Z, 16V	4	
C3801,02	ECJ2XC1H561J	C 560PF, J, 50V	2	
C3803-08	ECJ2VF1C105Z	C 1UF, Z, 16V	6	
C3815,16	ECJ2XC1H102K	C 1000PF, K, 50V	2	
C3817,18	ECJ2XC1H561J	C 560PF, J, 50V	2	
C3819	ECJ2XC1H102K	C 1000PF, K, 50V	1	
C3820-29	ECJ2XC1H561J	C 560PF, J, 50V	10	
C3836	ECJ2VF1C105Z	C 1UF, Z, 16V	1	
C4016-18	ECJ1VC1H560J	C 56PF, J, 50V	3	
C4019-21	ECJ1VC1H270J	C 27PF, J, 50V	3	
C4022-24	ECJ1XC1H151J	C 150PF, J, 50V	3	
C4025-27	ECJ1VB1H103K	C 0.01UF, K, 50V	3	
C4028-30	ECJ3XB0J106M	C 10UF, M, 6.3V	3	
C4031,32	ECJ1XB1C104K	C 0.1UF, Z, 16V	2	
C4033-35	ECJ1XC1H101J	C 100PF, J, 50V	3	
C4036	EEVHB0J470R	E 47UF, 6.3V	1	
C4037-40	ECJ1VB1H103K	C 0.01UF, K, 50V	4	
C4041	ECJ1XB1C104K	C 0.1UF, Z, 16V	1	
C4044	EEVHB0G101R	E 100UF 4V	1	
C4045-47	ECJ1VB1H103K	C 0.01UF, K, 50V	3	
C4048-50	ECJ1VC1H560J	C 56PF, J, 50V	3	
C4051-53	ECJ1XC1H180J	C 18PF, J, 50V	3	
C4055	ECJ1XB1C104K	C 0.1UF, Z, 16V	1	
C4056-58	ECJ1XC1H151J	C 150PF, J, 50V	3	
C4060-62	ECJ1VB1H103K	C 0.01UF, K, 50V	3	
C4065	ECJ3YB0J335K	C 33UF, J, 25V	1	
C4066	ECJ3XB0J106M	C 10UF, M, 6.3V	1	
C4067	ECJ1VB1H103K	C 0.01UF, K, 50V	1	
C4068,69	ECJ3XB0J106M	C 10UF, M, 6.3V	2	
C4070	ECJ1XB1C104K	C 0.1UF, Z, 16V	1	
C4072-74	ECJ1XB1C104K	C 0.1UF, Z, 16V	3	

Ref. No.	Part No.	Part Name & Description	Pcs	Remarks
C4076-78	ECJ1XC1H101J	C 100PF, J, 50V	3	
C4079,80	ECJ1XC1H102J	C 1000PF, J, 50V	2	
C4082,83	ECJ1XC1H102J	C 1000PF, J, 50V	2	
C4084-90	ECJ1VB1H103K	C 0.01UF, K, 50V	7	
C4091-94	ECJ1XC1H102J	C 1000PF, J, 50V	4	
C4096	ECJ1XB1C104K	C 0.1UF, Z, 16V	1	
C4097	ECJ1XC1H102J	C 1000PF, J, 50V	1	
C4098-02	ECJ1XB1C104K	C 0.1UF, Z, 16V	5	
C4104-08	ECJ1XC1H102J	C 1000PF, J, 50V	5	
C4109	ECJ1XB1C104K	C 0.1UF, Z, 16V	1	
C4110-12	ECJ1VB1H103K	C 0.01UF, K, 50V	3	
C4114,15	ECJ1XB1C104K	C 0.1UF, Z, 16V	2	
C4116,17	EEVHB0J470R	E 47UF, 6.3V	2	
C4118	ECJ1XB1C104K	C 0.1UF, Z, 16V	1	
C4119	ECJ1VB1H103K	C 0.01UF, K, 50V	1	
C4121	ECJ1VB1H103K	C 0.01UF, K, 50V	1	
C4122,23	ECJ1XB1C104K	C 0.1UF, Z, 16V	2	
C4124	EEVHB0G101R	E 100UF 4V	1	
C4126,27	ECJ1XC1H102J	C 1000PF, J, 50V	2	
C4129	ECJ1XB1C104K	C 0.1UF, Z, 16V	1	
C4130	ECJ1VB1H103K	C 0.01UF, K, 50V	1	
C4131	ECJ3YB0J335K	C 33UF, J, 25V	1	
C4132,33	ECJ1XB1C104K	C 0.1UF, Z, 16V	2	
C4134	ECJ1XC1H102J	C 1000PF, J, 50V	1	
C4136	ECJ1XC1H102J	C 1000PF, J, 50V	1	
C4144	ECJ1XB1C104K	C 0.1UF, Z, 16V	1	
C4146-48	ECJ1XB1C104K	C 0.1UF, Z, 16V	3	
C4152	ECJ1XB1C104K	C 0.1UF, Z, 16V	1	
C4154-56	ECJ1XB1C104K	C 0.1UF, Z, 16V	3	
C4157	EEVHB0G101R	E 100UF 4V	1	
C4158	ECJ1XB1C104K	C 0.1UF, Z, 16V	1	
C4167	ECJ1XB1C104K	C 0.1UF, Z, 16V	1	
C4168	EEVHB1E330	E 33UF, 25V	1	
C4171	ECJ1XB1C104K	C 0.1UF, Z, 16V	1	
C4173,74	ECJ1XB1C104K	C 0.1UF, Z, 16V	2	
C4175	EEVHB1E330	E 33UF, 25V	1	
C4177	ECJ1VC1H120J	C 12PF, J, 50V	1	
C4178	ECJ1XC1H050C	C 5PF, C, 50V	1	
C4179	ECJ1VC1H560J	C 56PF, J, 50V	1	
C4180	ECJ1VC1H270J	C 27PF, J, 50V	1	
C4181	ECJ1XC1H180J	C 18PF, J, 50V	1	
C4182	ECJ1XB1C104K	C 0.1UF, Z, 16V	1	
C4183,84	ECJ1VC1H120J	C 12PF, J, 50V	2	
C4185	ECJ1XC1H151J	C 150PF, J, 50V	1	
C4186,87	ECJ1XC1H220J	C 22PF, J, 50V	2	
C4188-91	ECJ1XB0J105K	C 1UF, K, 16V	4	
C4192	ECJ3XB0J106M	C 10UF, M, 6.3V	1	
C4193-96	ECJ1XB0J105K	C 1UF, K, 16V	4	
C4197	ECJ3XB0J106M	C 10UF, M, 6.3V	1	
C4198-00	ECJ1VF1A105Z	C 1UF, Z, 10V	3	
C4201	ECJ1XB0J105K	C 1UF, K, 16V	1	
C4202,03	ECJ1VF1A105Z	C 1UF, Z, 10V	2	
C4204	ECJ1VB1H103K	C 0.01UF, K, 50V	1	
C4205	ECJ1XB0J105K	C 1UF, K, 16V	1	
C4207	ECJ1VF1A105Z	C 1UF, Z, 10V	1	



Ref. No.	Part No.	Part Name & Description	Pcs	Remarks
C4208	EEHHC1C470P	C 47PF, J, 16V	1	
C4209	ECJLXC1H680J	C 68PF, J, 50V	1	
C4210	ECJ1VB1H103K	C 0.01UF, K, 50V	1	
C4211	ECJLXB1C104K	C 0.1UF, Z, 16V	1	
C4213	EEVHB0J470R	E 47UF, 6.3V	1	
C4214,15	ECJLXB1C104K	C 0.1UF, Z, 16V	2	
C4216	ECJ1VB1H153K	C 0.15UF, K, 50V	1	
C4217	ECJLXB0J105K	C 1UF, K, 16V	1	
C4218,19	ECJLXB1C104K	C 0.1UF, Z, 16V	2	
C4220	ECJLXB0J105K	C 1UF, K, 16V	1	
C4221	ECJLXC1H101J	C 100PF, J, 50V	1	
C4223	ECJ1VB1H103K	C 0.01UF, K, 50V	1	
C4224	EEFCD0G560R	56UF,	1	
C4225	ECJLXC1H680J	C 68PF, J, 50V	1	
C4226	ECJ1VB1H103K	C 0.01UF, K, 50V	1	
C4228-37	ECJLXB1C104K	C 0.1UF, Z, 16V	10	
C4238	ECJLXC1H102J	C 1000PF, J, 50V	1	
C4239	ECJ1VB1H103K	C 0.01UF, K, 50V	1	
C4240,41	ECJLXB0J105K	C 1UF, K, 16V	2	
C4243	ECJLXB0J105K	C 1UF, K, 16V	1	
C4244,45	ECJLXB1C104K	C 0.1UF, Z, 16V	2	
C4246	ECJLXC1H680J	C 68PF, J, 50V	1	
C4247-54	ECJLXB1C104K	C 0.1UF, Z, 16V	8	
C4255	ECJLXC1H102J	C 1000PF, J, 50V	1	
C4256	ECJLXB0J105K	C 1UF, K, 16V	1	
C4257	ECJLXB1C104K	C 0.1UF, Z, 16V	1	
C4258	ECJ1VB1H103K	C 0.01UF, K, 50V	1	
C4259-64	ECJLXB1C104K	C 0.1UF, Z, 16V	6	
C4265	ECJLXB0J105K	C 1UF, K, 16V	1	
C4266	ECJLXB1C104K	C 0.1UF, Z, 16V	1	
C4267	ECJLXB0J105K	C 1UF, K, 16V	1	
C4268	ECJLXC1H102J	C 1000PF, J, 50V	1	
C4269,70	ECJLXB0J105K	C 1UF, K, 16V	2	
C4271	ECJLXC1H102J	C 1000PF, J, 50V	1	
C4272	ECJLXB1C104K	C 0.1UF, Z, 16V	1	
C4274	ECJLXB0J105K	C 1UF, K, 16V	1	
C4275-78	ECJLXB1C104K	C 0.1UF, Z, 16V	4	
C4279	ECJLXB0J105K	C 1UF, K, 16V	1	
C4282	ECJLXC1H102J	C 1000PF, J, 50V	1	
C4283	ECJLXB1C104K	C 0.1UF, Z, 16V	1	
C4284	ECJLXC1H180J	C 18PF, J, 50V	1	
C4285	ECJLXC1H102J	C 1000PF, J, 50V	1	
C4286	ECJLXB1C104K	C 0.1UF, Z, 16V	1	
C4287	ECJLXC1H180J	C 18PF, J, 50V	1	
C4288-00	ECJLXB1C104K	C 0.1UF, Z, 16V	13	
C4301,02	ECJLXC1H102J	C 1000PF, J, 50V	2	
C4303-07	ECJLXB1C104K	C 0.1UF, Z, 16V	5	
C4308	EEVHB0G221P	E 220UF, 4V	1	
C4309	ECJLXB1C104K	C 0.1UF, Z, 16V	1	
C4310	EEVHB0G221P	E 220UF, 4V	1	
C4311	ECJLXB1C104K	C 0.1UF, Z, 16V	1	
C4312	ECJLXC1H102J	C 1000PF, J, 50V	1	
C4313	ECJLXB1C104K	C 0.1UF, Z, 16V	1	
C4314	ECJLXC1H102J	C 1000PF, J, 50V	1	
C4315	ECJ3XB0J106M	C 10UF, M,6.3V	1	
C4316	ECJLXB1C104K	C 0.1UF, Z, 16V	1	
C4317	ECJLXC1H102J	C 1000PF, J, 50V	1	
C4318	ECJLXB1C104K	C 0.1UF, Z, 16V	1	
C4319	ECJLXC1H102J	C 1000PF, J, 50V	1	
C4320-22	ECJLXB1C104K	C 0.1UF, Z, 16V	3	
C4323	ECJLXC1H102J	C 1000PF, J, 50V	1	
C4324	ECJLXB1C104K	C 0.1UF, Z, 16V	1	
C4325	ECJLXC1H102J	C 1000PF, J, 50V	1	

Ref. No.	Part No.	Part Name & Description	Pcs	Remarks
C4326	ECJLXB1C104K	C 0.1UF, Z, 16V	1	
C4328	ECJLXB1C104K	C 0.1UF, Z, 16V	1	
C4329	ECJ3XB0J106M	C 10UF, M,6.3V	1	
C4330	EEVHB0G221P	E 220UF, 4V	1	
C4331,32	ECJLXB1C104K	C 0.1UF, Z, 16V	2	
C4333	ECJLXC1H102J	C 1000PF, J, 50V	1	
C4334	ECJLXB1C104K	C 0.1UF, Z, 16V	1	
C4335	ECJLXC1H102J	C 1000PF, J, 50V	1	
C4336	ECJLXB1C104K	C 0.1UF, Z, 16V	1	
C4337	ECJLXC1H102J	C 1000PF, J, 50V	1	
C4338,39	ECJLXB1C104K	C 0.1UF, Z, 16V	2	
C4340	ECJLXC1H102J	C 1000PF, J, 50V	1	
C4341,42	ECJLXB1C104K	C 0.1UF, Z, 16V	2	
C4343	ECJLXC1H102J	C 1000PF, J, 50V	1	
C4344	ECJLXB1C104K	C 0.1UF, Z, 16V	1	
C4345	ECJLXC1H102J	C 1000PF, J, 50V	1	
C4346	ECJLXB1C104K	C 0.1UF, Z, 16V	1	
C4347	ECJLXC1H102J	C 1000PF, J, 50V	1	
C4348,49	ECJLXB1C104K	C 0.1UF, Z, 16V	2	
C4351	EEHBOG221P	C 220PF, J, 4V	1	
C4354	ECJ1VB1H103K	C 0.01UF, K, 50V	1	
C4355	ECJLXB1C104K	C 0.1UF, Z, 16V	1	
C4357	EEHHC1C470P	C 47PF, J, 16V	1	
C4360	EEHHC1C470P	C 47PF, J, 16V	1	
C4363	ECJ1VC1H820	C 82PF, J, 50V	1	
C4366	EEHBOG221P	C 220PF, J, 4V	1	
C4367	ECJ1VB1H103K	C 0.01UF, K, 50V	1	
C4368,69	ECJLXB1C104K	C 0.1UF, Z, 16V	2	
C4370	EEVHB0J220	E 22UF 6.3V	1	
C4371	EEHHC1C470P	C 47PF, J, 16V	1	
C4372,73	ECJLXB1C104K	C 0.1UF, Z, 16V	2	
C4376	ECJLXC1H101J	C 100PF, J, 50V	1	
C4380,81	ECJLXC1H102J	C 1000PF, J, 50V	2	
C4382	ECJLXC1H101J	C 100PF, J, 50V	1	
C4383	ECJLXB1C104K	C 0.1UF, Z, 16V	1	
C4384	EEVHB0J470R	E 47UF, 6.3V	1	
C4387	ECJLXB1C104K	C 0.1UF, Z, 16V	1	
C4388	EEFCD0G560R	56UF,	1	
C4389	ECJLXB0J105K	C 1UF, K, 16V	1	
C4391	ECJLXC1H221J	C 220PF, J, 50V	1	
C4392-94	ECJLXB0J105K	C 1UF, K, 16V	3	
C4395,96	ECJLXB1C104K	C 0.1UF, Z, 16V	2	
C4397-00	ECJLXB0J105K	C 1UF, K, 16V	4	
C4401	ECJ1VB0J334K	C 0.33UF, K, 16V	1	
C4402	ECJ1VB1H682K	C 6800PF, K, 50V	1	
C4403	ECJLXB0J105K	C 1UF, K, 16V	1	
C4404,05	ECJLXB1C104K	C 0.1UF, Z, 16V	2	
C4406	ECJLXB0J105K	C 1UF, K, 16V	1	
C4407	ECJLXB1C104K	C 0.1UF, Z, 16V	1	
C4408	ECJLXB0J105K	C 1UF, K, 16V	1	
C4409	ECJ1VB1H103K	C 0.01UF, K, 50V	1	
C4410	ECJLXB0J105K	C 1UF, K, 16V	1	
C4411	ECJLXB1C104K	C 0.1UF, Z, 16V	1	
C4412,13	ECJLXB0J105K	C 1UF, K, 16V	2	
C4414	ECJ1VB1H103K	C 0.01UF, K, 50V	1	
C4415-18	ECJLXB0J105K	C 1UF, K, 16V	4	
C4419	ECJLXC1H471J	C 470PF, J, 50V	1	
C4420	ECJLXB1C104K	C 0.1UF, Z, 16V	1	
C4421,22	ECJ1VB1H103K	C 0.01UF, K, 50V	2	
C4423,24	ECJLXB0J105K	C 1UF, K, 16V	2	
C4425	ECJLXC1H121J	C 120PF, J, 50V	1	

Ref. No.	Part No.	Part Name & Description	Pcs	Remarks
C4426	ECJ1XB0J105K	C 1UF, K, 16V	1	
C4427	ECJ1VB1H103K	C 0.01UF, K, 50V	1	
C4428	ECJ1XB1C104K	C 0.1UF, Z, 16V	1	
C4429,30	ECJ1VB1H103K	C 0.01UF, K, 50V	2	
C4431	ECJ1XB0J105K	C 1UF, K, 16V	1	
C4432-39	ECJ1VB1H103K	C 0.01UF, K, 50V	8	
C4440	ECJ1XB1C104K	C 0.1UF, Z, 16V	1	
C4441	EEHBOG221P	C 220PF, J, 4V	1	
C4443-54	ECJ1VB1H103K	C 0.01UF, K, 50V	12	
C4456-60	ECJ1VB1H103K	C 0.01UF, K, 50V	5	
C4461	EEHBOG101R	C 100PF, J, 4V	1	
C4463	ECJ1XB1C104K	C 0.1UF, Z, 16V	1	
C4466-68	ECJ1VB1H103K	C 0.01UF, K, 50V	3	
C4470	ECJ1VB1H103K	C 0.01UF, K, 50V	1	
C4474	ECJ1VB1H103K	C 0.01UF, K, 50V	1	
C4475	ECJ1VF1H104Z	C 0.1UF, Z, 50V	1	
C4477	ECJ1VB1H103K	C 0.01UF, K, 50V	1	
C4480,81	ECJ1VB1H103K	C 0.01UF, K, 50V	2	
C4482	EEHBC1470P	C 47PF, J, 16V	1	
C4487-91	ECJ1XB1C104K	C 0.1UF, Z, 16V	5	
C4492	EEVHP1C100R	E 10UF, 16V	1	
C4496-98	ECJ1XB1C104K	C 0.1UF, Z, 16V	3	
C4499,00	ECJ1XC1H102J	C 1000PF, J, 50V	2	
C4501	ECJ1VB0J225K	C 2.2UF, K, 6.3V	1	
C4502,03	ECJ1XC1H102J	C 1000PF, J, 50V	2	
C4504-08	ECJ1XB1C104K	C 0.1UF, Z, 16V	5	
C4510,11	ECJ1XB1C104K	C 0.1UF, Z, 16V	2	
C4514	ECJ1XB1C104K	C 0.1UF, Z, 16V	1	
C4516	ECJ1XB1C104K	C 0.1UF, Z, 16V	1	
C4517,18	ECJ1XC1H102J	C 1000PF, J, 50V	2	
C4519,20	ECJ1XB1C104K	C 0.1UF, Z, 16V	2	
C4521	ECJ1VB1H103K	C 0.01UF, K, 50V	1	
C4522	ECJ1XB0J105K	C 1UF, K, 16V	1	
C4531-38	ECJ1XB1C104K	C 0.1UF, Z, 16V	8	
C4539,40	ECJ1XC1H102J	C 1000PF, J, 50V	2	
C4541-48	ECJ1XB0J105K	C 1UF, K, 16V	8	
C4549,50	ECJ1XB1C104K	C 0.1UF, Z, 16V	2	
C4555-58	ECJ1XB1C104K	C 0.1UF, Z, 16V	4	
C4559	ECJ1XC1H102J	C 1000PF, J, 50V	1	
C4561-91	ECJ1XC1H102J	C 1000PF, J, 50V	31	
C4593,94	ECJ1XC1H102J	C 1000PF, J, 50V	2	
C4595	ECJ3XF1C475Z	C 4.7UF, Z, 16V	1	
C4596-01	ECJ3XB0J106M	C 10UF, M,6.3V	6	
C4610	ECJ1VC1H180J	C 18PF, J, 50V	1	
C6501,02	ECJ1XF1C104Z	C 0.1UF, Z, 16V	2	
C6505-09	ECJ1XF1C104Z	C 0.1UF, Z, 16V	5	
C6510	EEHBA1A101P	C 100PF, J, 10V	1	
C6511	ECJ1XF1C104Z	C 0.1UF, Z, 16V	1	
C6512	EEFCD0J470R	47UF	1	
C6513	EEHBA1A101P	C 100PF, J, 10V	1	
C6514-16	ECJ1XF1C104Z	C 0.1UF, Z, 16V	3	
C6517,18	ECJ1VF1H103Z	C 0.01UF, Z, 50V	2	

Ref. No.	Part No.	Part Name & Description	Pcs	Remarks
C6521	ECJ1XF1C104Z	C 0.1UF, Z, 16V	1	
C6522	ECJ3XB0J106M	C 10UF, M,6.3V	1	
C6524,25	ECJ3XB0J106M	C 10UF, M,6.3V	2	
C6526,27	ECJ1XF1C104Z	C 0.1UF, Z, 16V	2	
C6534	ECJ1XF1C104Z	C 0.1UF, Z, 16V	1	
C6535	ECJ1XB1C104K	C 0.1UF, Z, 16V	1	
C6536	EEHBOG101R	C 100PF, J, 4V	1	
C6537	ECJ1XB1C104K	C 0.1UF, Z, 16V	1	
C6538	EEHBOJ221UP	C 220PF, J, 6.3V	1	
C6539	ECJ1XB1C104K	C 0.1UF, Z, 16V	1	
C6541-50	ECJ1XF1C104Z	C 0.1UF, Z, 16V	10	
C6551	ECJ1VF1H103Z	C 0.01UF, Z, 50V	1	
C6552	ECJ1VF1H104Z	C 0.1UF, Z, 50V	1	
C6553-63	ECJ1XF1C104Z	C 0.1UF, Z, 16V	11	
C6566-69	ECJ1XF1C104Z	C 0.1UF, Z, 16V	4	
C6570	ECJ1VB1C103K	C 0.01UF, K, 16V	1	
C6571-74	ECJ1XF1C104Z	C 0.1UF, Z, 16V	4	
C6575	ECJ1VF1C105Z	C 1UF, Z, 10V	1	
C6577,78	ECJ1XF1C104Z	C 0.1UF, Z, 16V	2	
C6579	EEHBC100R	C 10PF, J, 16V	1	
C6580-82	ECJ1XF1C104Z	C 0.1UF, Z, 16V	3	
C6583	ECJ1VF1C105Z	C 1UF, Z, 10V	1	
C6584	ECJ3YB1A106M	C 10UF, M,6.3V	1	
C6585,86	ECJ1XF1C104Z	C 0.1UF, Z, 16V	2	
C6587	EEHBOG101R	C 100PF, J, 4V	1	
C6589	ECJ1VB1C103K	C 0.01UF, K, 16V	1	
C6590,91	EEHBOJ221UP	C 220PF, J, 6.3V	2	
C6592	ECJ2XB0J106M	C 10UF, Z, 5V	1	
C6594	ECJ2XB0J106M	C 10UF, Z, 5V	1	
C6597	ECJ1VF1C105Z	C 1UF, Z, 10V	1	
C6598	EEHBOG101R	C 100PF, J, 4V	1	
C6601	ECJ1XF1C104Z	C 0.1UF, Z, 16V	1	
C6602	EEHBOG221P	C 220PF, J, 4V	1	
C6604	ECJ1XF1C104Z	C 0.1UF, Z, 16V	1	
C6606	ECJ1XF1C104Z	C 0.1UF, Z, 16V	1	
C6607-10	ECJ1VF1H103Z	C 0.01UF, Z, 50V	4	
C6612	ECJ1XC1H470J	C 47PF, J, 50V	1	
C6614	ECJ1VC1H270J	C 27PF, J, 50V	1	
C6615	ECJ1XC1H470J	C 47PF, J, 50V	1	
C6616	ECJ1XC1H151J	C 150PF, J, 50V	1	
C6617	ECJ1XB1C104K	C 0.1UF, Z, 16V	1	
C6618	ECJ1VF1H103Z	C 0.01UF, Z, 50V	1	
C6619	ECJ1XB1C104K	C 0.1UF, Z, 16V	1	
C6620	ECJ1VF1H103Z	C 0.01UF, Z, 50V	1	
C6625-27	ECJ1XF1C104Z	C 0.1UF, Z, 16V	3	
C7000,1	ECQU2A104BN9	P 0.1UF, 250V	1	△
C7002	ECKCNA101MB7	C 100PF, Z	1	△
C7003	ECKCNA331MB7	C 330PF, Z	1	△
C7004	ECKCNA101MB7	C 100PF, Z	1	△
C7005	ECKCNA331MB7	C 330PF, Z	1	△
C7006	ECQU2A334BN9	P 0.33UF, 250V	1	△
C7010	ECQU2A334BN9	P 0.33UF, 250V	1	△
C7045	ECJ2XB1A105K	C 1UF, K, 10V	1	
C7046,47	ECKDNA101MB	C 100PF	2	
C7100	EEHHC2W151J	C 150PF, 450V	1	
C7101,02	ECCD3D470JGE	C 47PF, K, 2KV	2	
C7103	EEHHC2W151J	C 150PF, 450V	1	
C7106,07	ECJ2XB1H471K	C 470PF, K, 50V	2	
C7108	ECJ2XC1H471J	C 470PF, J, 50V	1	
C7109	ECJ2XC1H101J	C 100PF, J, 50V	1	
C7110	ECJ2XB1A105K	C 1UF, K, 10V	1	

Ref. No.	Part No.	Part Name & Description	Pcs	Remarks
C7111	ECJ2VB1C104K	C 0.1UF, K, 16V	1	
C7112	ECJ2XB1A105K	C 1UF, K, 10V	1	
C7113,14	ECA1HM330	E 33UF, 50V	2	
C7115	ECKD3A102KBP	C 1000PF, K, 1KV	1	
C7116	ECKD3A222KBP	C 2200PF, K, 1KV	1	
C7117	ECKDNA471MB	C 470PF, Z,	1	△
C7118	ECJ2VB1C104K	C 0.1UF, K, 16V	1	
C7119	ECKDNA471MB	C 470PF, Z,	1	△
C7120-22	ECKD3A102KBP	C 1000PF, K, 1KV	3	
C7124	EEUEB2C331	E 330UF, 160V	1	
C7125	ECKD3A472KBP	C 4700PF, K, 1KV	1	
C7126	EEUEB2C331	E 330UF, 160V	1	
C7127,28	F2A1E152A089	E 1500UF, 25V	2	
C7129	ECJ2XB1H473K	C 0.047UF, K, 50V	1	
C7130,31	ECJ2VB1C104K	C 0.1UF, K, 16V	2	
C7133	F2A1C471A121	E 470UF, 16V	1	
C7134	EEUFC1E221	E 220UF, 25V	1	
C7135	ECKD3A102KBP	C 1000PF, K, 1KV	1	
C7136	ECJ2XB1H473K	C 0.047UF, K, 50V	1	
C7141	ECKD3A102KBP	C 1000PF, K, 1KV	1	
D001,02	MA3020	ZENER DIODE	2	
D801	MA8051L	ZENER DIODE	1	MAZ80510L
D802	MA4330M	ZENER DIODE	1	MAZ43300M
D803	D3SB60	DIODE	1	B0EBMR000001
D804	B0EAKT000018	DIODE	1	
D805	MA729	DIODE	1	MA2J729
D806	TMPG10G3	DIODE	1	B0BA01000046
D807	MA111	DIODE	1	MA2J111
D808	MA8056-M	DIODE	1	MAZ80560M
D809	B0EAKT000017	DIODE	1	
D810	MA3150M	ZENER DIODE	1	MAZ31500M
D811	MA3220L	DIODE	1	MAZ32200LL
D812	MA111	DIODE	1	MA2J111
D813	TVSEU2	DIODE	1	B0HAMP000052
D814	B0JARG000009	DIODE	1	
D815	TVSEU2	DIODE	1	B0HAMP000052
D816	B0HBQL000001	DIODE	1	
D817	MA111	DIODE	1	MA2J111
D820	B0JCNE000004	DIODE	1	
D821,22	B0JCPD000010	DIODE	2	
D823	MA8110H	ZENER DIODE	1	MAZ81100H
D824	MA8100MTX	ZENER DIODE	1	MAZ81000ML
D825,26	MA111	DIODE	2	MA2J111
D827	MA8200M	ZENER DIODE	1	MAZ82000M
D828	MA111	DIODE	1	MA2J111
D829	MA8039L	ZENER DIODE	1	MAZ80390L
D830	MA111	DIODE	1	MA2J111
D832	MA111	DIODE	1	MA2J111
D837	B0JCPD000010	DIODE	1	
D838,39	MTZJ16C	DIODE	2	
D840	M1FL20UF4063	DIODE	1	B0HCMM000009
D841	MA729	DIODE	1	MA2J729
D842	MA111	DIODE	1	MA2J111
D844	MA111	DIODE	1	MA2J111
D846	MA8056-M	DIODE	1	MAZ80560M
D847	MA111	DIODE	1	MA2J111
D851-53	MA111	DIODE	3	MA2J111
D854-57	M1FL20UF4063	DIODE	4	B0HCMM000009
D1051	LN21RCPH	LED (RED)	1	
D1052,53	MA3043M	ZENER DIODE	2	MAZ30430M
D1102	MA8120MTX	ZENER DIODE	1	MAZ81200ML
D1106-11	MAZ80520ML	DIODE	6	
D2101	MA152	DIODE	1	
D2105,06	M1FS4	DIODE	2	
D2107	M1FL20UF4063	DIODE	1	B0HCMM000009
D2108	MA152K	DIODE	1	MA3X152K

Ref. No.	Part No.	Part Name & Description	Pcs	Remarks
D3101-03	MA3120M	ZENER DIODE	3	MAZ31200M
D3115	MA152K	DIODE	1	MA3X152K
D3171	MA152	DIODE	1	
D4002	MA152K	DIODE	1	MA3X152K
D7000,01	ERZV10V621P2	VARISTOR	2	△
D7100	RBV-608	DIODE	1	B0FBAT000002 △
D7101,02	TMPG10G3	DIODE	2	B0BA01000046
D7103,04	MA8056-M	DIODE	2	MAZ80560M
D7105,06	MA111	DIODE	2	MA2J111
D7107	MA8140M	ZENER DIODE	1	MAZ81400M
D7108	AG01Z	DIODE	1	
D7109	MA8240M	ZENER DIODE	1	MAZ82400M
D7110	AG01Z	DIODE	1	
D7111	MA111	DIODE	1	MA2J111
D7112	AG01Z	DIODE	1	
D7113	EG01C	DIODE	1	B0HAGV000001
D7114	B0EAKT000031	DIODE	1	
D7115	MA4150M	ZENER DIODE	1	MAZ41500M
D7117	MA4300M	ZENER DIODE	1	MAZ43000M
D7118	B0HARR000007	DIODE	1	
D7120	AK04	DIODE	1	B0JAME000037
D7121	MA111	DIODE	1	MA2J111
D7123	MA8180M	ZENER DIODE	1	MAZ81800M
D7124	MA111	DIODE	1	MA2J111
D7125	B0JBSL000010	DIODE	1	
D7126	MA729	DIODE	1	MA2J729
D7129,30	MA111	DIODE	2	MA2J111
D7131	MA729	DIODE	1	MA2J729
D7132	MA8091H	ZENER DIODE	1	MAZ80910H
D7137	AG01Z	DIODE	1	
D7138	MA111	DIODE	1	MA2J111
D7141	MA111	DIODE	1	MA2J111
D7142-46	MA8330M	ZENER DIODE	5	MAZ83300M
DG1,G2	K1MN50A00005	50P CONNECTOR	2	
DG5	K1MN30B00049	30P CONNECTOR	1	
DG7	K1KA15B00027	15P CONNECTOR	1	
DG11	K1KA11B00078	11P CONNECTOR	1	
F7000-1,-2	EYF-52BC	FUSE HOLDER	2	△
FL4001-03	ELKE103FA	NOISE FILTER	3	
FL4005,06	ELKE103FA	NOISE FILTER	2	
FL4022-24	J0JBD0000043	CHIP INDUCTOR	3	
FL4030-35	J0HAAB000004	EMI FILTER	6	
FL6503-05	ELKE103FA	NOISE FILTER	3	
FL6510-14	TLK20LFA473M	EMI FILTER	5	J0HABB000018
FL6516	TLK20LFA473M	EMI FILTER	1	J0HABB000018
FL7001	G0A553G00001	EMI FILTER	1	△
H1	K1MN50A00005	50P CONNECTOR	1	
H2	K1MN30A00065	30P CONNECTOR	1	
H3	TJ3S49890	9P CONNECTOR	1	K1KA09A00074
IC801	C5HABZZ00124	IC	1	
IC802	B3PAA0000153	IC	1	△
IC804	AN1431M	LINEAR IC	1	
IC805	PQ1CZ21H2ZP	IC	1	C0DBCWG00001
IC806,07	C0DAAZH00009	IC	2	
IC808	PQ1CG21H2RZ	INTEGRATED CIRCUIT	1	C0DACMG00001

Ref. No.	Part No.	Part Name & Description	Pcs	Remarks
IC809	PQ09RD1B	IC	1	C0DAZH000015
IC811	NJM2904V	INTEGRATED CIRCUIT	1	C0ABBA000084
IC1103	C0CBCAC00095	IC	1	
IC1104	C2CBYF000028	IC	1	
IC1105	TC4066BFN	MOS IC (CMOS S/LOGIC)	1	C0JBAS000095
IC1106	CXA1875AM	LINEAR IC	1	C0FBBD000017
IC1107	C3EBHC000020	IC	1	
IC1108	C0EBE0000336	IC	1	
IC1109	C0JBBZ000281	IC	1	
IC1110	C0CBCBF00001	IC	1	
IC1111	C0JBAB0000591	IC	1	
IC1113	C0JBAR000231	IC	1	
IC1114	C3ABPG000102	IC	1	
IC1115	TVRN127	IC	1	
IC2101	C1AB00001875	IC	1	
IC2102	C1AB00001584	IC	1	
IC2106	AN77L08M	IC	1	
IC2301, 02	LA4901	IC	2	C1BA00000278
IC3101	C1AB00001874	IC	1	
IC3104	NJM2283M	IC	1	C1AB00000419
IC3106-08	C1AB00001487	IC	3	
IC4001, 02	C1AB00001834	IC	2	
IC4003	C1AB00001926	IC	1	
IC4004, 05	C0CBCBD00008	IC	2	
IC4010	C0JBAS0000061	IC	1	
IC4011	C0CBCAC00095	IC	1	
IC4012	C0CBCAD00012	IC	1	
IC4013	C0EBE0000336	IC	1	
IC4014	C0CBCAD00012	IC	1	
IC4015	C0CBCAC00095	IC	1	
IC4016	C1AB00001869	IC	1	
IC4017	C1AB00001868	IC	1	
IC4019	C0DBAZE00005	IC	1	
IC4020	C0CBCAC00096	IC	1	
IC4021	C0CBCBD00008	IC	1	
IC4022, 23	C3ABPJ000017	IC	2	
IC4024	C0JBCZ000485	IC	1	
IC6501	C0JBAA000244	IC	1	
IC6502	C0JBAB000231	IC	1	
IC6503	C0JBAZ002059	IC	1	
IC6505	C0DBZHE00019	IC	1	
IC6506	C0JBAZ001713	IC	1	
IC6507, 08	C0JBAZ001120	IC	2	
IC6509	C0JBAZ001590	IC	1	
IC6510	C0JBAZ002060	IC	1	
IC6512	TVRN167	IC	1	
IC6513	C1AB00001816	IC	1	
IC6514	C3ABQG000069	IC	1	
IC6515	C0CBCBD00008	IC	1	
IC6516	C1AB00001815	IC	1	
IC6518	C0CBCAD00015	IC	1	△
IC6520	PST9128NR	IC (LOGIC)	1	C0EBE0000066
IC6521	C0CBCBD00004	IC	1	
IC6522	C0JBAB000408	IC	1	
IC7100	C5HABZZ00113	IC	1	
IC7101	C5HABMG00001	IC	1	
IC7102-05	CNC1S171R	IC	4	△
IC7106	AN1431M	LINEAR IC	1	
IC7108	B3FAA0000325	IC	1	△
JG1	K1NA68E00070	68P CONNECTOR	1	
JG2	K1NA09E00028	9P CONNECTOR	1	
JG3	K1KA11A00102	11P CONNECTOR	1	
JG6	K1KA08A00293	8P CONNECTOR	1	
JK3000	K4BK23B00001	TERMINAL BOARD	1	

Ref. No.	Part No.	Part Name & Description	Pcs	Remarks
JK3801-03	K1FB121A0006	JACK	3	
JK3804	K2HA306A0029	JACK	1	
JK3805	K2HA204A0047	JACK	1	
JS2111, 12	ERJ3GEYJ0R00	M 0 OHM, 1/16W	2	
JS3001	ERJ6GEY0R00	M 0 OHM, 1/10W	1	
JS3101	ERJ3GEYJ0R00	M 0 OHM, 1/16W	1	
JS4026	ERJ3GEYJ0R00	M 0 OHM, 1/16W	1	
JS4031	ERJ3GEYJ0R00	M 0 OHM, 1/16W	1	
JS4034, 35	ERJ3GEYJ0R00	M 0 OHM, 1/16W	2	
JS4086, 87	ERJ3GEYJ0R00	M 0 OHM, 1/16W	2	
JS4090	ERJ3GEYJ0R00	M 0 OHM, 1/16W	1	
JS4095	ERJ3GEYJ0R00	M 0 OHM, 1/16W	1	
JS4113	ERJ3GEYJ0R00	M 0 OHM, 1/16W	1	
JS6521-30	ERJ3GEYJ0R00	M 0 OHM, 1/16W	10	
JS6532	ERJ3GEYJ0R00	M 0 OHM, 1/16W	1	
JS6534	ERJ3GEYJ0R00	M 0 OHM, 1/16W	1	
JS7101	ERDS2TC0	C 0 OHM, 1/4W	1	
K3	K1KA20A00085	20P CONNECTOR	1	
L001	ELJPA4R7MF	CHIP INDUCTOR	1	
L002	ELJPA330KF	CHIP INDUCTOR	1	
L003	ELJPA4R7MF	CHIP INDUCTOR	1	
L2114-A	TALLO8N221KA	INDUCTION COIL	1	G0A221G00009
L2116-A	TALLO8N221KA	INDUCTION COIL	1	G0A221G00009
L801	TALLO8N220KA	INDUCTION COIL	1	G0C220K00013
L802	G0A471ZA0041	INDUCTION COIL	1	
L803, 04	TALLO8N680KA	INDUCTION COIL	2	G0A680GA0011
L805	J0JCC0000241	CHIP INDUCTOR	1	
L806	G0A680GA0002	INDUCTION COIL	1	
L807	TALLO8N101KA	INDUCTION COIL	1	G0A101EA0008
L808-15	J0JHC0000034	CHIP INDUCTOR	8	
L820, 21	J0JHC0000034	CHIP INDUCTOR	2	
L823-29	J0JHC0000034	CHIP INDUCTOR	7	
L830	ERDS2TC0	C 0 OHM, 1/4W	1	
L831	J0JHC0000034	CHIP INDUCTOR	1	
L1102	J0JHC0000078	CHIP INDUCTOR	1	
L1103	GLC330K00017	INDUCTOR COIL	1	
L1104	J0JHC0000078	CHIP INDUCTOR	1	
L1106	ELJFA8R2KB	CHIP INDUCTOR	1	
L1108-13	J0JHC0000078	CHIP INDUCTOR	6	
L2101	J0JCC0000241	CHIP INDUCTOR	1	
L2103	TSK1032	BEAD CHOKE	1	J0JCC0000100
L2104	J0JHC0000078	CHIP INDUCTOR	1	
L2105	J0JCC0000241	CHIP INDUCTOR	1	
L2107	J0JCC0000241	CHIP INDUCTOR	1	
L2109	ELSE8R8KA	PEAKING COIL	1	
L2117	J0JHC0000078	CHIP INDUCTOR	1	
L3001, 02	ELJFC4R7KF	CHIP INDUCTOR	2	
L3003, 04	EXC3BB221H	BEAD CHOKE	2	
L3101	J0JHC0000078	CHIP INDUCTOR	1	
L3118	J0JCC0000241	CHIP INDUCTOR	1	
L3119	J0JHC0000078	CHIP INDUCTOR	1	
L3121	ELSE101JA	PEAKING COIL	1	
L3132, 33	J0JHC0000078	CHIP INDUCTOR	2	
L3135-37	J0JHC0000078	CHIP INDUCTOR	3	
L3138	J0JHC0000001	CHIP INDUCTOR	1	
L3801-14	EXC3BB221H	BEAD CHOKE	14	
L4001-03	TALC168T1R0K	CHIP INDUCTOR COIL	3	G1C1R0K00005
L4004	J0JCC0000241	CHIP INDUCTOR	1	
L4005	J0JHC0000078	CHIP INDUCTOR	1	
L4007-09	TALC168T6R8K	CHIP INDUCTOR COIL	3	G1C6R8K00005

Ref. No.	Part No.	Part Name & Description	Pcs	Remarks
L4010	J0JCC0000241	CHIP INDUCTOR	1	
L4015,16	J0JHC0000078	CHIP INDUCTOR	2	
L4017	TALC168T1R0K	CHIP INDUCTOR COIL	1	GLC1R0K00005
L4018	TALC168T6R8K	CHIP INDUCTOR COIL	1	GLC6R8K00005
L4019	J0JCC0000241	CHIP INDUCTOR	1	
L4020	TALC168T100K	CHIP INDUCTOR COIL	1	GLC100KA0009
L4021	J0JCC0000241	CHIP INDUCTOR	1	
L4022-24	J0JHC0000078	CHIP INDUCTOR	3	
L4025	TALC168T100K	CHIP INDUCTOR COIL	1	GLC100KA0009
L4026	J0JHC0000078	CHIP INDUCTOR	1	
L4027	TALC168T100K	CHIP INDUCTOR COIL	1	GLC100KA0009
L4028-32	J0JCC0000241	CHIP INDUCTOR	5	
L4033-36	J0JHC0000078	CHIP INDUCTOR	4	
L4037	GLC100KA0008	INDUCTOR COIL	1	
L4038	J0JHC0000035	CHIP INDUCTOR	1	
L4039	GLC220MA0077	INDUCTOR COIL	1	
L4040-44	J0JCC0000241	CHIP INDUCTOR	5	
L4045	TALC168T100K	CHIP INDUCTOR COIL	1	GLC100KA0009
L4046	J0JCC0000241	CHIP INDUCTOR	1	
L4047	J0JHC0000078	CHIP INDUCTOR	1	
L4052	J0JHC0000078	CHIP INDUCTOR	1	
L4054-57	J0JHC0000078	CHIP INDUCTOR	4	
L4059-62	J0JCC0000241	CHIP INDUCTOR	4	
L4064	J0JCC0000241	CHIP INDUCTOR	1	
L4065	J0JHC0000078	CHIP INDUCTOR	1	
L4066	J0JCC0000241	CHIP INDUCTOR	1	
L6501,02	J0JHC0000035	CHIP INDUCTOR	2	
L6504,05	J0JHC0000035	CHIP INDUCTOR	2	
L6508	GLC8R2K00009	INDUCTOR COIL	1	
L6509,10	J0JHC0000035	CHIP INDUCTOR	2	
L6512,13	J0JHC0000035	CHIP INDUCTOR	2	
L6516	J0JHC0000035	CHIP INDUCTOR	1	
L6518	J0JHC0000035	CHIP INDUCTOR	1	
L6521	J0JHC0000035	CHIP INDUCTOR	1	
L7104	EXCELD35C	BEAD CHOKE	1	
L7105	EXCELSA35	BEAD CHOKE	1	
L7107	EXCELSA35	BEAD CHOKE	1	
LF7000	G0B552H00001	CHOKE COIL	1	△
LF7001	G0B103H00002	CHOKE COIL	1	△ ;
LF7002	G0B302H00004	CHOKE COIL	1	△
P1	TJS169560	6P CONNECTOR	1	K1KA06A00188
P2	K1KA02A00169	2P CONNECTOR	1	
P3	K1KA08A00425	8P CONNECTOR	1	
P4	K1KA11A00124	11P CONNECTOR	1	
P5	K1KA02A00104	2P CONNECTOR	1	
PA801-05	UNHS20300L	IC PROTECTOR	5	
Q801	2SD601A	TRANSISTOR	1	2SD0601A
Q802	2SK2962	FET	1	
Q803	2SD602	TRANSISTOR	1	
Q805,06	2SD601A	TRANSISTOR	2	2SD0601A
Q811	UN521L	TRANSISTOR	1	UNR521L
Q814	2SD601A	TRANSISTOR	1	2SD0601A
Q816	2SB709A	TRANSISTOR	1	2SB0709A
Q822-24	2SD602	TRANSISTOR	3	
Q825	2SA207700L	TRANSISTOR	1	
Q826	UN521L	TRANSISTOR	1	UNR521L
Q829	2SD601A	TRANSISTOR	1	2SD0601A
Q834	B1DDED000003	TRANSISTOR	1	
Q835	UN521L	TRANSISTOR	1	UNR521L

Ref. No.	Part No.	Part Name & Description	Pcs	Remarks
Q836	UN521L	TRANSISTOR	1	UNR521L
Q839	2SD601A	TRANSISTOR	1	2SD0601A
Q840	2SD602	TRANSISTOR	1	
Q841	BLDHDD000012	TRANSISTOR	1	
Q842	UN521L	TRANSISTOR	1	UNR521L
Q843	2SD601A	TRANSISTOR	1	2SD0601A
Q1001	2SD601A	TRANSISTOR	1	2SD0601A
Q1101,02	2SC584500L	TRANSISTOR	2	
Q1104-06	2SC584500L	TRANSISTOR	3	
Q1108,09	2SC584500L	TRANSISTOR	2	
Q1110	UN521L	TRANSISTOR	1	UNR521L
Q1113,14	UN521L	TRANSISTOR	2	UNR521L
Q1115-17	UN5214	TRANSISTOR	3	UNR5214
Q1118	2SC584500L	TRANSISTOR	1	
Q1119	UN5111	TRANSISTOR	1	UNR5111
Q1120	UN521L	TRANSISTOR	1	UNR521L
Q2101,02	2SD601A	TRANSISTOR	2	2SD0601A
Q2105,06	2SB709A	TRANSISTOR	2	2SB0709A
Q2107-12	2SD601A	TRANSISTOR	6	2SD0601A
Q2117,18	2SD1266A	TRANSISTOR	2	2SD1266AJ
Q2124-27	2SC584500L	TRANSISTOR	4	
Q2128	2SA207700L	TRANSISTOR	1	
Q2129	2SC584500L	TRANSISTOR	1	
Q2130	2SD601A	TRANSISTOR	1	2SD0601A
Q2131	2SD0601A	TRANSISTOR	1	
Q2132-34	2SC584500L	TRANSISTOR	3	
Q2135,36	2SB709A	TRANSISTOR	2	2SB0709A
Q3103-09	2SD601A	TRANSISTOR	7	2SD0601A
Q3123-25	2SD601A	TRANSISTOR	3	2SD0601A
Q3127-29	2SB709A	TRANSISTOR	3	2SB0709A
Q3130,31	2SD601A	TRANSISTOR	2	2SD0601A
Q3153,54	2SB709A	TRANSISTOR	2	2SB0709A
Q3155-58	2SD601A	TRANSISTOR	4	2SD0601A
Q3174	2SB709A	TRANSISTOR	1	2SB0709A
Q3177-79	2SA207700L	TRANSISTOR	3	
Q4010-12	2SA207700L	TRANSISTOR	3	
Q4016-18	2SA207700L	TRANSISTOR	3	
Q4023-28	2SC584500L	TRANSISTOR	6	
Q4030-32	2SA207700L	TRANSISTOR	3	
Q4037-39	2SC584500L	TRANSISTOR	3	
Q4040	2SA207700L	TRANSISTOR	1	
Q4045-47	2SC584500L	TRANSISTOR	3	
Q4054	2SC584500L	TRANSISTOR	1	
Q4056,57	2SC584500L	TRANSISTOR	2	
Q4058	UN2215	TRANSISTOR	1	UNR2215
Q4060	2SC584500L	TRANSISTOR	1	
Q4061	KN6501	TRANSISTOR	1	KN06501
Q4063	2SC584500L	TRANSISTOR	1	
Q4064-69	2SA207700L	TRANSISTOR	6	
Q4070	2SD1030	TRANSISTOR	1	

Ref. No.	Part No.	Part Name & Description	Pcs	Remarks
Q4071,72	2SC584500L	TRANSISTOR	2	
Q4073	2SD1030	TRANSISTOR	1	
Q4074,75	2SC584500L	TRANSISTOR	2	
Q4076	UN2215	TRANSISTOR	1	UNR2215
Q4077-80	UN5211	TRANSISTOR	4	UNR5211
Q4081	UN2215	TRANSISTOR	1	UNR2215
Q4082	2SA207700L	TRANSISTOR	1	
Q4086,87	2SA207700L	TRANSISTOR	2	
Q4091	2SA207700L	TRANSISTOR	1	
Q6501,02	2SA207700L	TRANSISTOR	2	
Q6503-06	2SC584500L	TRANSISTOR	4	
Q7100	2SB709A	TRANSISTOR	1	2SB0709A
Q7101,02	2SD601A	TRANSISTOR	2	2SD0601A
Q7103	2SB709A	TRANSISTOR	1	2SB0709A
Q7104	2SD601A	TRANSISTOR	1	2SD0601A
Q7105-07	2SC584500L	TRANSISTOR	3	
Q7109	2SD602	TRANSISTOR	1	
Q7113	2SD602	TRANSISTOR	1	
Q7114	2SD601A	TRANSISTOR	1	2SD0601A
Q7115	2SB710A	TRANSISTOR	1	2SB0710A
Q7116-18	2SD601A	TRANSISTOR	3	2SD0601A
Q7119	2SB709A	TRANSISTOR	1	2SB0709A
Q7120	2SD601A	TRANSISTOR	1	2SD0601A
R001	ERJ6GEYJ393	M 39KOHM, J, 1/10W	1	
R002	ERJ6GEY0R00	M 0 OHM, 1/10W	1	
R003	ERJ6GEYJ393	M 39KOHM, J, 1/10W	1	
R004,05	ERJ6GEYJ101	M 100 OHM, J, 1/10W	2	
R006	ERJ6GEYJ153	M 15KOHM, J, 1/10W	1	
R011,12	ERJ6GEYJ101	M 100 OHM, J, 1/10W	2	
R013	ERJ6GEY0R00	M 0 OHM, 1/10W	1	
R014-21	ERJ3GEY0R00	M 0 OHM, 1/16W	8	
R801,02	ERJ6GEYJ105	M 1MOHM, J, 1/10W	2	
R803	ERJ6GEYJ822	M 8.2KOHM, J, 1/10W	1	
R804,05	ERJ6GEYJ105	M 1MOHM, J, 1/10W	2	
R806	ERJ6GEY0R00	M 0 OHM, 1/10W	1	
R807	ERJ12YJ224	M 220KOHM, 1/2W	1	
R808	ERF2AK5R6	W 5.6 OHM, K, 2W	1	
R809,10	ERJ12YJ474	M 470KOHM, 1/2W	2	
R811	ERJ3GEYJ0R00	M 0 OHM, 1/16W	1	
R816,17	ERX12SJ1R2	M 1.2 OHM, J, 1/2W	2	
R818	ERDS2TJ684	C 680KOHM, J, 1/4W	1	
R820	ERJ6GEYJ681	M 680 OHM, J, 1/10W	1	
R821	ERJ6GEYJ392	M 3.9KOHM, J, 1/10W	1	
R822	ERJ6GEYJ103	M 10KOHM, J, 1/10W	1	
R823	ERG1SJ220P	M 22 OHM, J, 1W	1	
R824	ERJ6GEYJ471	M 470 OHM, J, 1/10W	1	
R825	ERJ6GEYJ101	M 100 OHM, J, 1/10W	1	
R826	ERJ6GEYJ474	M 470KOHM, J, 1/10W	1	
R827	ERJ6GEYJ562	M 5.6KOHM, J, 1/10W	1	
R830	ERJ6GEYJ102	M 1KOHM, J, 1/10W	1	
R831	ERJ6ENF1052	M10.5KOHM, 1/10W	1	
R832	ERJ6ENF1002	M 10KOHM, 1/10W	1	
R833	ERJ6GEYJ103	M 10KOHM, J, 1/10W	1	
R834	ERJ6GEYJ473	M 47KOHM, J, 1/10W	1	
R836	ERJ6GEYJ472	M 4.7KOHM, J, 1/10W	1	
R838	ERJ6GEYJ223	M 22KOHM, J, 1/10W	1	
R843	ERJ6GEYJ473	M 47KOHM, J, 1/10W	1	
R844	ERJ6ENF1581	M1.58KOHM, 1/10W	1	
R846,47	ERJ6ENF1001	M 1KOHM, 1/10W	2	
R848	ERJ6ENF1621	M1.62KOHM, 1/10W	1	
R849	ERJ6ENF3241	M3.24KOHM, 1/10W	1	
R850	ERJ6ENF6341	M6.34KOHM, 1/10W	1	
R853,54	ERJ6ENF2201	M 2.2KOHM, 1/10W	2	
R856	ERJ6ENF2201	M 2.2KOHM, 1/10W	1	
R857	ERJ12Y0R00	M 0 OHM, J, 1/2W	1	

Ref. No.	Part No.	Part Name & Description	Pcs	Remarks
R858	ERJ6GEYJ153	M 15KOHM, J, 1/10W	1	
R860	ERJ6GEYJ221	M 220 OHM, J, 1/10W	1	
R863	ERJ6GEYJ472	M 4.7KOHM, J, 1/10W	1	
R865	ERJ6GEYJ223	M 22KOHM, J, 1/10W	1	
R867	ERJ6GEYJ223	M 22KOHM, J, 1/10W	1	
R869	ERJ6GEYJ223	M 22KOHM, J, 1/10W	1	
R871	ERJ6GEYJ223	M 22KOHM, J, 1/10W	1	
R872	ERJ6GEY0R00	M 0 OHM, 1/10W	1	
R874	ERJ6GEY0R00	M 0 OHM, 1/10W	1	
R881	ERJ6ENF1001	M 1KOHM, 1/10W	1	
R882	ERJ6GEYJ104	M 100KOHM, J, 1/10W	1	
R883	ERJ6ENF1691	M1.69KOHM, 1/10W	1	
R884	ERJ6GEYJ473	M 47KOHM, J, 1/10W	1	
R885	ERJ6GEYJ562	M 5.6KOHM, J, 1/10W	1	
R886	ERJ6GEYJ223	M 22KOHM, J, 1/10W	1	
R887	ERJ6GEYJ222	M 2.2KOHM, J, 1/10W	1	
R888	ERJ6GEYJ152	M 1.5KOHM, J, 1/10W	1	
R889	ERJ6GEYJ562	M 5.6KOHM, J, 1/10W	1	
R890	ERJ6GEYJ221	M 220 OHM, J, 1/10W	1	
R895	ERJ6GEYJ473	M 47KOHM, J, 1/10W	1	
R901	ERJ6GEY0R00	M 0 OHM, 1/10W	1	
R903	ERJ6GEYJ473	M 47KOHM, J, 1/10W	1	
R904	ERJ6GEYJ223	M 22KOHM, J, 1/10W	1	
R906	ERJ6ENF1002	M 10KOHM, 1/10W	1	
R909	ERJ6ENF1502	M 15KOHM, 1/10W	1	
R915	TSF19401	PROTECTOR	1	K5Y401Z00001
R916	TSF19152	FUSE	1	K5Y152Z00002
R918	ERJ6GEY0R00	M 0 OHM, 1/10W	1	
R919	ERJ6GEYJ153	M 15KOHM, J, 1/10W	1	
R920	ERJ6GEYJ222	M 2.2KOHM, J, 1/10W	1	
R921	ERJ6GEYJ223	M 22KOHM, J, 1/10W	1	
R924	ERJ6GEYJ472	M 4.7KOHM, J, 1/10W	1	
R925,26	ERJ6GEYJ223	M 22KOHM, J, 1/10W	2	
R929	ERJ6GEY0R00	M 0 OHM, 1/10W	1	
R930	ERJ6GEYJ222	M 2.2KOHM, J, 1/10W	1	
R931	ERJ6ENF4322	M43.2KOHM, 1/10W	1	
R932	ERJ6ENF4022	M40.2KOHM, 1/10W	1	
R933	ERX2SJR33P	M0.33 OHM, J, 2W	1	
R934	ERX2SJR27	M0.27 OHM, J, 2W	1	
R935	ERJ6GEYJ105	M 1MOHM, J, 1/10W	1	
R936,37	ERJ6GEYJ103	M 10KOHM, J, 1/10W	2	
R938,39	ERJ6ENF1003	M 100KOHM, 1/10W	2	
R940	ERJ6GEYJ102	M 1KOHM, J, 1/10W	1	
R941-43	ERJ6GEY0R00	M 0 OHM, 1/10W	3	
R944	ERJ6GEYJ223	M 22KOHM, J, 1/10W	1	
R945	ERJ6GEYJ222	M 2.2KOHM, J, 1/10W	1	
R946	ERJ6GEY0R00	M 0 OHM, 1/10W	1	
R947	ERJ6GEYJ153	M 15KOHM, J, 1/10W	1	
R948	ERJ6GEYJ473	M 47KOHM, J, 1/10W	1	
R949	ERJ6GEYJ223	M 22KOHM, J, 1/10W	1	
R950	ERJ6GEYJ472	M 4.7KOHM, J, 1/10W	1	
R951,52	ERJ6GEYJ102	M 1KOHM, J, 1/10W	2	
R959	TSF19252	PROTECTOR	1	K5Y252Z00002
R963	TSF19402	PROTECTOR	1	K5Y402Z00001
R1002	ERJ6GEYJ102	M 1KOHM, J, 1/10W	1	
R1003	ERJ6GEYJ470	M 47 OHM, J, 1/10W	1	
R1004	ERJ6GEYJ103	M 10KOHM, J, 1/10W	1	
R1007	ERJ6GEYJ103	M 10KOHM, J, 1/10W	1	
R1009	ERJ6GEYJ271	M 270OHM, J, 1/10W	1	
R1014	ERJ6GEYJ101	M 100 OHM, J, 1/10W	1	
R1050	ERJ6ENF6802	M 68KOHM, 1/10W	1	
R1051	ERJ6ENF2202	M 2.2KOHM, 1/10W	1	
R1052	ERJ6ENF1202	M 12KOHM, 1/10W	1	
R1053	ERJ6ENF6801	M 6.8KOHM, 1/10W	1	
R1103	ERJ3GEYJ102	M 1KOHM, J, 1/16W	1	
R1106	ERJ3GEYJ683	M 68KOHM, J, 1/16W	1	
R1110,11	ERJ3GEYJ103	M 10KOHM, J, 1/16W	2	
R1112	ERJ3GEYJ101	M 100 OHM, J, 1/16W	1	D0GB101JA002
R1115	ERJ3GEYJ103	M 10KOHM, J, 1/16W	1	
R1116	ERJ6GEYJ562	M 5.6KOHM, J, 1/10W	1	
R1117	ERJ3GEYJ104	M 100KOHM, J, 1/16W	1	
R1118	ERJ3GEYJ683	M 68KOHM, J, 1/16W	1	

Ref. No.	Part No.	Part Name & Description	Pcs	Remarks
R1119	ERJ3GEYJ333	M 33KOHM,J,1/16W	1	
R1120	ERJ3GEYJ563	M 56KOHM,J,1/16W	1	
R1121	ERJ3GEYJ102	M 1KOHM,J,1/16W	1	
R1122,23	EXB38V680J	RESISTOR ARRAY	2	
R1124	ERJ3GEYJ103	M 10KOHM,J,1/16W	1	
R1125	ERJ3GEYJ0R00	M 0 OHM, 1/16W	1	
R1126	EXB38V680J	RESISTOR ARRAY	1	
R1127	ERJ3GEYJ472	M 4.7KOHM,J,1/16W	1	
R1133	ERJ3GEYJ101	M 100 OHM,J,1/16W	1	D0GB101JA002
R1135	ERJ3GEYJ103	M 10KOHM,J,1/16W	1	
R1137	ERJ3GEYJ225V	M 2.2MOHM,J,1/16W	1	
R1141	ERJ3GEYJ473	M 47KOHM,J,1/16W	1	
R1142	ERJ3GEYJ223	M 22KOHM,J,1/16W	1	
R1143	ERJ3GEYJ472	M 4.7KOHM,J,1/16W	1	
R1144	EXB38V680J	RESISTOR ARRAY	1	
R1146	ERJ3GEYJ273	M 27KOHM,J,1/16W	1	
R1147	ERJ3GEYJ101	M 100 OHM,J,1/16W	1	D0GB101JA002
R1148	ERJ3GEYJ0R00	M 0 OHM, 1/16W	1	
R1150	ERJ3GEYJ473	M 47KOHM,J,1/16W	1	
R1152	EXB38V680J	RESISTOR ARRAY	1	
R1153	ERJ3GEYJ220	M 22 OHM, 1/16W	1	
R1156	ERJ3GEYJ0R00	M 0 OHM, 1/16W	1	
R1158	ERJ3GEYJ101	M 100 OHM,J,1/16W	1	D0GB101JA002
R1159	ERJ3GEYJ391	M 390 OHM,J,1/16W	1	D0GB391JA002
R1160	EXB38V680J	RESISTOR ARRAY	1	
R1161	ERJ3GEYJ101	M 100 OHM,J,1/16W	1	D0GB101JA002
R1162	ERJ3GEYJ0R00	M 0 OHM, 1/16W	1	
R1163	ERJ3GEYJ223	M 22KOHM,J,1/16W	1	
R1164	ERJ3GEYJ471	M 470 OHM,J,1/16W	1	
R1165	ERJ3GEYJ103	M 10KOHM,J,1/16W	1	
R1166	EXB38V680J	RESISTOR ARRAY	1	
R1167	ERJ3GEYJ0R00	M 0 OHM, 1/16W	1	
R1168	ERJ3GEYJ101	M 100 OHM,J,1/16W	1	D0GB101JA002
R1169	EXB38V680J	RESISTOR ARRAY	1	
R1170	ERJ3GEYJ104	M 100KOHM,J,1/16W	1	
R1171	ERJ3GEYJ101	M 100 OHM,J,1/16W	1	D0GB101JA002
R1172	ERJ3GEYJ104	M 100KOHM,J,1/16W	1	
R1173	ERJ3GEYJ472	M 4.7KOHM,J,1/16W	1	
R1174	EXB38V680J	RESISTOR ARRAY	1	
R1175	ERJ3GEYJ224	M 220KOHM,J,1/16W	1	
R1176	ERJ3GEYJ0R00	M 0 OHM, 1/16W	1	
R1177	ERJ3GEYJ221	M 220 OHM,J,1/16W	1	
R1178,79	ERJ3GEYJ0R00	M 0 OHM, 1/16W	2	
R1180-83	TAJAAH0680JV	M 68 OHM,J,1/16W	4	D0GB680JA006
R1184	ERJ3GEYJ101	M 100 OHM,J,1/16W	1	D0GB101JA002
R1185	ERJ3GEYJ0R00	M 0 OHM, 1/16W	1	
R1187	ERJ3GEYJ222	M 2.2KOHM,J,1/16W	1	
R1189	ERJ3GEYJ101	M 100 OHM,J,1/16W	1	D0GB101JA002
R1190	ERJ3GEYJ560	M 56 OHM,J,1/16W	1	
R1191	ERJ3GEYJ273	M 27KOHM,J,1/16W	1	
R1192	ERJ3GEYJ101	M 100 OHM,J,1/16W	1	D0GB101JA002
R1194	ERJ3GEYJ103	M 10KOHM,J,1/16W	1	
R1195	ERJ3GEYJ333	M 33KOHM,J,1/16W	1	
R1196	ERJ3GEYJ101	M 100 OHM,J,1/16W	1	D0GB101JA002
R1199	ERJ3GEYJ103	M 10KOHM,J,1/16W	1	
R1200	EXB38V680J	RESISTOR ARRAY	1	
R1201,02	TAJAAH0680JV	M 68 OHM,J,1/16W	2	D0GB680JA006
R1203	EXB38V680J	RESISTOR ARRAY	1	
R1208	ERJ3GEYJ101	M 100 OHM,J,1/16W	1	D0GB101JA002
R1210	ERJ3GEYJ472	M 4.7KOHM,J,1/16W	1	
R1213	ERJ3GEYJ0R00	M 0 OHM, 1/16W	1	
R1214,15	ERJ3GEYJ103	M 10KOHM,J,1/16W	2	
R1216	ERJ3GEYJ560	M 56 OHM,J,1/16W	1	
R1219,20	ERJ3GEYJ560	M 56 OHM,J,1/16W	2	
R1221	ERJ3GEYJ103	M 10KOHM,J,1/16W	1	
R1224	ERJ3GEYJ103	M 10KOHM,J,1/16W	1	
R1227	ERJ3GEYJ103	M 10KOHM,J,1/16W	1	

Ref. No.	Part No.	Part Name & Description	Pcs	Remarks
R1231,32	ERJ3GEYJ101	M 100 OHM,J,1/16W	2	D0GB101JA002
R1234	ERJ3GEYJ472	M 4.7KOHM,J,1/16W	1	
R1237	ERJ6GEYJ562	M 5.6KOHM,J,1/10W	1	
R1239	ERJ3GEYJ103	M 10KOHM,J,1/16W	1	
R1241	ERJ3GEYJ103	M 10KOHM,J,1/16W	1	
R1243	ERJ3GEYJ0R00	M 0 OHM, 1/16W	1	
R1244	EXB38V103J	RESISTOR ARRAY	1	
R1246	ERJ3GEYJ103	M 10KOHM,J,1/16W	1	
R1253	ERJ6GEYJ562	M 5.6KOHM,J,1/10W	1	
R1255	ERJ3GEYJ104	M 100KOHM,J,1/16W	1	
R1258	ERJ3GEYJ103	M 10KOHM,J,1/16W	1	
R1263	ERJ3GEYJ0R00	M 0 OHM, 1/16W	1	
R1266	ERJ3GEYJ102	M 1KOHM,J,1/16W	1	
R1271	ERJ3GEYJ0R00	M 0 OHM, 1/16W	1	
R1273	ERJ3GEYJ0R00	M 0 OHM, 1/16W	1	
R1279-82	ERJ3GEYJ472	M 4.7KOHM,J,1/16W	4	
R1284	ERJ3GEYJ0R00	M 0 OHM, 1/16W	1	
R1288	ERJ3GEYJ223	M 22KOHM,J,1/16W	1	
R1289-91	ERJ3GEYJ103	M 10KOHM,J,1/16W	3	
R1292-94	ERJ3GEYJ223	M 22KOHM,J,1/16W	3	
R1295	ERJ3GEYJ0R00	M 0 OHM, 1/16W	1	
R1297	ERJ3GEYJ0R00	M 0 OHM, 1/16W	1	
R1298	ERJ3GEYJ101	M 100 OHM,J,1/16W	1	D0GB101JA002
R1299	ERJ3GEYJ102	M 1KOHM,J,1/16W	1	
R1300	ERJ3GEYJ103	M 10KOHM,J,1/16W	1	
R1301	ERJ3GEYJ104	M 100KOHM,J,1/16W	1	
R1302	ERJ3GEYJ563	M 56KOHM,J,1/16W	1	
R1303,04	ERJ3GEYJ103	M 10KOHM,J,1/16W	2	
R1305-14	ERJ3GEYJ0R00	M 0 OHM, 1/16W	10	
R1315	ERJ3GEYJ103	M 10KOHM,J,1/16W	1	
R1316	ERJ3GEYJ223	M 22KOHM,J,1/16W	1	
R1317	ERJ3GEYJ123	M 12KOHM,J,1/16W	1	
R1318	ERJ3GEYJ103	M 10KOHM,J,1/16W	1	
R1319	ERJ3GEYJ104	M 100KOHM,J,1/16W	1	
R1320	ERJ3GEYJ333	M 33KOHM,J,1/16W	1	
R1321	ERJ3GEYJ822	M 8.2KOHM,J,1/16W	1	
R1322	ERJ3GEYJ101	M 100 OHM,J,1/16W	1	D0GB101JA002
R1323	ERJ3GEYJ103	M 10KOHM,J,1/16W	1	D0GB103JA007
R2101,02	ERJ3GEYJ104	M 100KOHM,J,1/16W	2	
R2103,04	ERJ3GEYJ221	M 220 OHM,J,1/16W	2	
R2107,08	ERJ3GEYJ681	M 680 OHM,J,1/16W	2	
R2111,12	ERJ3GEYJ472	M 4.7KOHM,J,1/16W	2	
R2113,14	ERJ3GEYJ332	M 3.3KOHM,J,1/16W	2	
R2115-18	ERJ3GEYJ221	M 220 OHM,J,1/16W	4	
R2119-24	ERJ3GEYJ681	M 680 OHM,J,1/16W	6	
R2125,26	ERJ3GEYJ221	M 220 OHM,J,1/16W	2	
R2131,32	ERJ3GEYJ0R00	M 0 OHM, 1/16W	2	
R2133,34	ERJ3GEYJ102	M 1KOHM,J,1/16W	2	
R2135	ERJ3GEYJ0R00	M 0 OHM, 1/16W	1	
R2136	ERJ3GEYJ220	M 22 OHM,J,1/16W	1	
R2137	ERJ3GEYJ102	M 1KOHM,J,1/16W	1	
R2138	ERJ3GEYJ220	M 22 OHM,J,1/16W	1	
R2139	ERJ3GEYJ102	M 1KOHM,J,1/16W	1	
R2141	ERJ3GEYJ103	M 10KOHM,J,1/16W	1	
R2143	ERJ3GEYJ103	M 10KOHM,J,1/16W	1	
R2145	ERJ3GEYJ103	M 10KOHM,J,1/16W	1	
R2147	ERJ3GEYJ103	M 10KOHM,J,1/16W	1	
R2148	ERJ3GEYJ102	M 1KOHM,J,1/16W	1	
R2149	ERJ3GEYJ221	M 220 OHM,J,1/16W	1	
R2150	ERJ3GEYJ102	M 1KOHM,J,1/16W	1	

Ref. No.	Part No.	Part Name & Description	Pcs	Remarks
R2151	ERJ3GEYJ221	M 220 OHM, J, 1/16W	1	
R2152-55	ERJ3GEYJ102	M 1KOHM, J, 1/16W	4	
R2156	ERJ3GEYJ0R00	M 0 OHM, 1/16W	1	
R2157	ERJ3GEYJ102	M 1KOHM, J, 1/16W	1	
R2159	ERJ3GEYJ0R00	M 0 OHM, 1/16W	1	
R2160	ERJ3GEYJ102	M 1KOHM, J, 1/16W	1	
R2168,69	ERJ3GEYJ101	M 100 OHM, J, 1/16W	2	D0GB101JA002
R2170,71	ERJ3GEYJ0R00	M 0 OHM, 1/16W	2	
R2173,74	ERJ3GEYJ221	M 220 OHM, J, 1/16W	2	
R2177	ERJ3GEYJ0R00	M 0 OHM, 1/16W	1	
R2178	ERJ3GEYJ101	M 100 OHM, J, 1/16W	1	D0GB101JA002
R2184	ERJ3GEYJ103	M 10KOHM, J, 1/16W	1	
R2186	ERJ3GEYJ0R00	M 0 OHM, 1/16W	1	
R2189	ERJ3GEYJ0R00	M 0 OHM, 1/16W	1	
R2190,91	ERJ3GEYJ221	M 220 OHM, J, 1/16W	2	
R2195,96	ERJ3GEYJ101	M 100 OHM, J, 1/16W	2	D0GB101JA002
R2197,98	ERJ3GEYJ0R00	M 0 OHM, 1/16W	2	
R2200	ERJ3GEYJ0R00	M 0 OHM, 1/16W	1	
R2202,03	ERJ3GEYJ221	M 220 OHM, J, 1/16W	2	
R2205	ERJ3GEYJ471	M 470 OHM, J, 1/16W	1	
R2208	ERJ3GEYJ101	M 100 OHM, J, 1/16W	1	D0GB101JA002
R2225,26	ERJ3GEYJ101	M 100 OHM, J, 1/16W	2	D0GB101JA002
R2229-34	ERJ12YJ2R2	M 2.2 OHM, J, 1/2W	6	
R2235,36	ERJ6GEY0R00	M 0 OHM, 1/10W	2	
R2237,38	ERJ12YJ100	M 10 OHM, J, 1/2W	2	
R2239,40	ERJ6GEYJ270	M 27 OHM, J, 1/10W	2	
R2244	ERJ3GEYJ0R00	M 0 OHM, 1/16W	1	
R2247	ERJ3GEYJ0R00	M 0 OHM, 1/16W	1	
R2248,49	ERJ3GEYJ104	M 100KOHM, J, 1/16W	2	
R2250,51	ERJ3GEYJ101	M 100 OHM, J, 1/16W	2	D0GB101JA002
R2252	ERJ3GEYJ0R00	M 0 OHM, 1/16W	1	
R2253	ERJ3GEYJ123	M 12KOHM, J, 1/16W	1	
R2254	ERJ3GEYJ0R00	M 0 OHM, 1/16W	1	
R2255	ERJ3GEYJ123	M 12KOHM, J, 1/16W	1	
R2258	ERJ3GEYJ103	M 10KOHM, J, 1/16W	1	
R2259	ERJ3GEYJ203	M 20KOHM, J, 1/16W	1	
R2260	ERJ3GEYJ103	M 10KOHM, J, 1/16W	1	
R2261	ERJ3GEYJ203	M 20KOHM, J, 1/16W	1	
R2266	ERJ3GEYJ103	M 10KOHM, J, 1/16W	1	
R2268	ERJ3GEYJ103	M 10KOHM, J, 1/16W	1	
R2269	ERJ3GEYJ104	M 100KOHM, J, 1/16W	1	
R2273	ERD25FJ680	C 68 OHM, J, 1/4W	1	
R2274	ERJ3GEYJ102	M 1KOHM, J, 1/16W	1	
R2275	ERD25TJ682	C 6.8KOHM, J, 1/4W	1	
R2276	ERJ3GEYJ102	M 1KOHM, J, 1/16W	1	
R2277	ERJ3GEYJ184	M 180KOHM, J, 1/16W	1	
R2278	ERJ3GEYJ223	M 22KOHM, J, 1/16W	1	
R2279	ERJ3GEYJ104	M 100KOHM, J, 1/16W	1	
R2280,81	ERJ3GEYJ473	M 47KOHM, J, 1/16W	2	
R2283	ERJ6GEYJ562	M 5.6KOHM, J, 1/10W	1	
R2284	ERJ3GEYJ104	M 100KOHM, J, 1/16W	1	
R2285	ERJ3GEYJ822	M 8.2KOHM, J, 1/16W	1	
R2286,87	ERJ3GEYJ103	M 10KOHM, J, 1/16W	2	
R2288,89	ERJ3GEYJ223	M 22KOHM, J, 1/16W	2	
R2290	ERJ3GEYJ103	M 10KOHM, J, 1/16W	1	
R2291-93	ERJ3GEYJ102	M 1KOHM, J, 1/16W	3	
R2294,95	ERJ3GEYJ682	M 6.8KOHM, J, 1/16W	2	

Ref. No.	Part No.	Part Name & Description	Pcs	Remarks
R2324	ERJ3GEY0R00	M 0 OHM, 1/16W	1	
R2405	ERJ3GEYJ103	M 10KOHM, J, 1/16W	1	
R3002	ERJ6GEYJ103	M 10KOHM, J, 1/10W	1	
R3003-05	ERJ6ENF75R0	M 75 OHM, 1/10W	3	
R3006,07	ERJ6GEYJ184	M 180KOHM, J, 1/10W	2	
R3009,10	ERJ6GEYJ184	M 180KOHM, J, 1/10W	2	
R3101	ERJ3EKF3002	M 30KOHM, 1/16W	1	
R3102	ERJ3GEYJ223	M 22KOHM, J, 1/16W	1	
R3103	ERJ3EKF3002	M 30KOHM, 1/16W	1	
R3104	ERJ3GEYJ223	M 22KOHM, J, 1/16W	1	
R3105	ERJ3EKF3002	M 30KOHM, 1/16W	1	
R3106	ERJ3GEYJ223	M 22KOHM, J, 1/16W	1	
R3107	ERJ3GEYJ103	M 10KOHM, J, 1/16W	1	
R3108	ERJ3EKF2152	M21.5KOHM, 1/16W	1	
R3109	ERJ3GEYJ123	M 12KOHM, J, 1/16W	1	
R3110	ERJ3EKF2152	M21.5KOHM, 1/16W	1	
R3111	ERJ3GEYJ123	M 12KOHM, J, 1/16W	1	
R3112	ERJ3EKF2152	M21.5KOHM, 1/16W	1	
R3113	ERJ3GEYJ123	M 12KOHM, J, 1/16W	1	
R3114	ERJ3GEYJ103	M 10KOHM, J, 1/16W	1	
R3115	ERJ3GEYJ0R00	M 0 OHM, 1/16W	1	
R3116	ERJ3GEYJ332	M 3.3KOHM, J, 1/16W	1	
R3117,18	ERJ3GEYJ472	M 4.7KOHM, J, 1/16W	2	
R3119-21	ERJ6ENF75R0	M 75 OHM, 1/10W	3	
R3122	ERJ3GEYJ332	M 3.3KOHM, J, 1/16W	1	
R3123,24	ERJ3GEYJ0R00	M 0 OHM, 1/16W	2	
R3126	ERJ3GEYJ0R00	M 0 OHM, 1/16W	1	
R3132-34	ERJ3GEYJ102	M 1KOHM, J, 1/16W	3	
R3135-37	ERJ3GEYJ0R00	M 0 OHM, 1/16W	3	
R3138-40	ERJ3GEYJ221	M 220 OHM, J, 1/16W	3	
R3141-43	ERJ3GEYJ0R00	M 0 OHM, 1/16W	3	
R3144-46	ERJ3GEYJ101	M 100 OHM, J, 1/16W	3	D0GB101JA002
R3147-49	ERJ3GEYJ102	M 1KOHM, J, 1/16W	3	
R3187	ERJ3GEYJ0R00	M 0 OHM, 1/16W	1	
R3192	ERJ3GEYJ392	M 3.9KOHM, J, 1/16W	1	
R3193	ERJ3GEYJ0R00	M 0 OHM, 1/16W	1	
R3195	ERJ3GEYJ221	M 220 OHM, J, 1/16W	1	
R3196	ERJ3GEYJ0R00	M 0 OHM, 1/16W	1	
R3197	ERJ3GEYJ221	M 220 OHM, J, 1/16W	1	
R3198	ERJ3GEYJ0R00	M 0 OHM, 1/16W	1	
R3199,00	ERJ3GEYJ221	M 220 OHM, J, 1/16W	2	
R3202	ERJ3GEYJ0R00	M 0 OHM, 1/16W	1	
R3204	ERJ3GEYJ0R00	M 0 OHM, 1/16W	1	
R3205,06	ERJ3GEYJ221	M 220 OHM, J, 1/16W	2	
R3207	ERJ3GEYJ0R00	M 0 OHM, 1/16W	1	
R3212	ERJ3GEYJ221	M 220 OHM, J, 1/16W	1	
R3215	ERJ3GEYJ221	M 220 OHM, J, 1/16W	1	
R3219	ERJ3GEYJ221	M 220 OHM, J, 1/16W	1	
R3222	ERJ3GEYJ221	M 220 OHM, J, 1/16W	1	
R3227	ERJ3GEYJ221	M 220 OHM, J, 1/16W	1	
R3229	ERJ3GEYJ102	M 1KOHM, J, 1/16W	1	
R3233	ERJ3GEYJ221	M 220 OHM, J, 1/16W	1	
R3236	ERJ3GEYJ221	M 220 OHM, J, 1/16W	1	
R3242	ERJ3GEYJ221	M 220 OHM, J, 1/16W	1	
R3245	ERJ3GEYJ221	M 220 OHM, J, 1/16W	1	
R3248	ERJ3GEYJ220	M 22 OHM, J, 1/16W	1	
R3249	ERJ3GEYJ0R00	M 0 OHM, 1/16W	1	
R3251	ERJ3GEYJ220	M 22 OHM, J, 1/16W	1	
R3255	ERJ3GEYJ0R00	M 0 OHM, 1/16W	1	
R3265	ERJ3GEYJ0R00	M 0 OHM, 1/16W	1	
R3267-75	ERJ3GEYJ0R00	M 0 OHM, 1/16W	9	



Ref. No.	Part No.	Part Name & Description	Pcs	Remarks
R3276	ERJ3GEYJ221	M 220 OHM,J,1/16W	1	
R3277	ERJ3GEYJ103	M 10KOHM,J,1/16W	1	
R3282,83	ERJ3GEYJ221	M 220 OHM,J,1/16W	2	
R3298-00	ERJ3GEYJ0R00	M 0 OHM, 1/16W	3	
R3303-05	ERJ3GEYJ0R00	M 0 OHM, 1/16W	3	
R3306,07	ERJ3GEYJ103	M 10KOHM,J,1/16W	2	
R3308	ERJ3GEYJ0R00	M 0 OHM, 1/16W	1	
R3310	ERJ3GEYJ103	M 10KOHM,J,1/16W	1	
R3311	ERJ3GEYJ333	M 33KOHM,J,1/16W	1	
R3313	ERJ3GEYJ0R00	M 0 OHM, 1/16W	1	
R3314	ERJ3GEYJ333	M 33KOHM,J,1/16W	1	
R3315-17	ERJ3GEYJ101	M 100 OHM,J,1/16W	3	D0GB101JA002
R3318-20	ERJ3GEYJ681	M 680 OHM,J,1/16W	3	
R3321	ERJ3GEYJ332	M 3.3KOHM,J,1/16W	1	
R3322	ERJ3GEYJ0R00	M 0 OHM, 1/16W	1	
R3324	ERJ3GEYJ103	M 10KOHM,J,1/16W	1	
R3325	ERJ3GEYJ332	M 3.3KOHM,J,1/16W	1	
R3326	ERJ3GEYJ103	M 10KOHM,J,1/16W	1	
R3327	ERJ3GEYJ102	M 1KOHM,J,1/16W	1	
R3329	ERJ3GEYJ102	M 1KOHM,J,1/16W	1	
R3365-69	ERJ3GEYJ0R00	M 0 OHM, 1/16W	5	
R3373-77	ERJ3GEYJ0R00	M 0 OHM, 1/16W	5	
R3460	ERJ3GEYJ0R00	M 0 OHM, 1/16W	1	
R3461	ERJ6GEY0R00	M 0 OHM, 1/10W	1	
R3462	ERJ6ENF3301	M 3.3KOHM, 1/10W	1	
R3464,65	ERJ3GEYJ220	M 22 OHM,J,1/16W	2	
R3466	ERJ3GEYJ472	M 4.7KOHM,J,1/16W	1	
R3468	ERJ6ENF3301	M 3.3KOHM, 1/10W	1	
R3469	ERJ3GEYJ103	M 10KOHM,J,1/16W	1	
R3472	ERJ3GEYJ331	M 330 OHM,J,1/16W	1	
R3475	ERJ6GEYJ102	M 1KOHM,J,1/10W	1	
R3476	ERJ3GEYJ332	M 3.3KOHM,J,1/16W	1	
R3477	ERJ3GEYJ0R00	M 0 OHM, 1/16W	1	
R3479	ERJ3GEYJ332	M 3.3KOHM,J,1/16W	1	
R3480	ERJ3GEYJ681	M 680 OHM,J,1/16W	1	
R3481	ERJ3GEYJ561	M 560 OHM,J,1/16W	1	
R3482	ERJ3GEYJ102	M 1KOHM,J,1/16W	1	
R3484	ERJ3GEYJ471	M 470 OHM,J,1/16W	1	
R3485	ERJ3GEYJ102	M 1KOHM,J,1/16W	1	
R3486	ERJ3GEYJ561	M 560 OHM,J,1/16W	1	
R3487	ERJ3GEYJ220	M 22 OHM,J,1/16W	1	
R3488	ERJ3GEYJ0R00	M 0 OHM, 1/16W	1	
R3489	ERJ3GEYJ472	M 4.7KOHM,J,1/16W	1	
R3506	ERJ6GEY0R00	M 0 OHM, 1/10W	1	
R3540	ERJ3GEYJ473	M 47KOHM,J,1/16W	1	
R3542-46	ERJ3GEYJ473	M 47KOHM,J,1/16W	5	
R3550-52	ERJ3GEYJ0R00	M 0 OHM, 1/16W	3	
R3562,63	ERJ3GEYJ0R00	M 0 OHM, 1/16W	2	
R3566	ERJ3GEYJ512	M 5.1KOHM,J,1/16W	1	
R3567-83	ERJ3GEYJ0R00	M 0 OHM, 1/16W	17	
R3595	ERJ3GEYJ0R00	M 0 OHM, 1/16W	1	
R3597	ERJ3GEYJ0R00	M 0 OHM, 1/16W	1	
R3599,00	ERJ3GEYJ0R00	M 0 OHM, 1/16W	2	
R3603-05	ERJ3GEYJ0R00	M 0 OHM, 1/16W	3	
R3609	ERJ3GEYJ0R00	M 0 OHM, 1/16W	1	
R3630	ERJ6GEYJ102	M 1KOHM,J,1/10W	1	
R3631,32	ERJ6ENF3301	M 3.3KOHM, 1/10W	2	
R3701,02	ERJ3GEYJ0R00	M 0 OHM, 1/16W	2	
R3703	ERJ3GEYJ103	M 10KOHM,J,1/16W	1	

Ref. No.	Part No.	Part Name & Description	Pcs	Remarks
R3704,05	ERJ3GEYJ472	M 4.7KOHM,J,1/16W	2	
R3706,07	ERJ3GEYJ332	M 3.3KOHM,J,1/16W	2	
R3720,21	ERJ3GEYJ0R00	M 0 OHM, 1/16W	2	
R3730	ERJ3GEYJ0R00	M 0 OHM, 1/16W	1	
R3732	ERJ3GEYJ154	M 150KOHM,J,1/16W	1	
R3733	ERJ3GEYJ0R00	M 0 OHM, 1/16W	1	
R3742,43	ERJ3GEYJ472	M 4.7KOHM,J,1/16W	2	
R3746	ERJ3GEYJ104	M 100KOHM,J,1/16W	1	
R3747,48	ERJ3GEYJ103	M 10KOHM,J,1/16W	2	
R3749,50	ERJ3GEYJ561	M 560 OHM,J,1/16W	2	
R3751,52	ERJ3GEYJ560	M 56 OHM,J,1/16W	2	
R3762,3	ERJ3GEY0R00	M 0 OHM, 1/16W	2	
R3801	ERJ6GEY0R00	M 0 OHM, 1/10W	1	
R3802-04	ERJ6ENF75R0	M 75 OHM, 1/10W	3	
R3805-10	ERJ6GEYJ221	M 220 OHM,J,1/10W	6	
R3811	ERJ6GEYJ680	M 68 OHM,J,1/10W	1	
R3812,13	ERJ6GEYJ223	M 22KOHM,J,1/10W	2	
R3814	ERJ6GEYJ680	M 68 OHM,J,1/10W	1	
R3815,16	ERJ6GEYJ223	M 22KOHM,J,1/10W	2	
R3819,20	ERJ6GEYJ223	M 22KOHM,J,1/10W	2	
R3821-32	ERJ6ENF75R0	M 75 OHM, 1/10W	12	
R3835	ERJ6GEY0R00	M 0 OHM, 1/10W	1	
R4001,02	ERJ3GEYJ0R00	M 0 OHM, 1/16W	2	
R4044-46	ERJ3GEYJ330	M 33 OHM,J,1/16W	3	
R4050-52	ERJ6GEYJ331	M 330 OHM,J,1/10W	3	
R4056-58	ERJ3EKF1000	M 100 OHM, 1/16W	3	
R4065-67	ERJ3EKF2200	M 220 OHM, 1/16W	3	
R4068-70	ERJ3EKF1101	M 1.1KOHM, 1/16W	3	
R4071-73	ERJ6GEYJ331	M 330 OHM,J,1/10W	3	
R4077	ERJ3GEYJ103	M 10KOHM,J,1/16W	1	
R4078	ERJ3GEYJ153	M 15KOHM,J,1/16W	1	
R4079	ERJ3GEYJ103	M 10KOHM,J,1/16W	1	
R4080	ERJ3GEYJ153	M 15KOHM,J,1/16W	1	
R4081	ERJ3GEYJ103	M 10KOHM,J,1/16W	1	
R4082	ERJ3GEYJ153	M 15KOHM,J,1/16W	1	
R4083-85	ERJ3GEYJ471	M 470 OHM,J,1/16W	3	
R4088	ERJ3GEYJ0R00	M 0 OHM, 1/16W	1	
R4089	ERJ3GEYJ331	M 330 OHM,J,1/16W	1	
R4091	ERJ3GEYJ331	M 330 OHM,J,1/16W	1	
R4093	ERJ3GEYJ331	M 330 OHM,J,1/16W	1	
R4096-98	ERJ3GEYJ0R00	M 0 OHM, 1/16W	3	
R4102-04	ERJ6GEYJ331	M 330 OHM,J,1/10W	3	
R4106-08	ERJ3GEYJ102	M 1KOHM,J,1/16W	3	
R4109-11	ERJ3EKF2700	M 1K OHM, 1/16W	3	
R4112	ERJ3GEYJ0R00	M 0 OHM, 1/16W	1	
R4117-19	ERJ3EKF2200	M 220 OHM, 1/16W	3	
R4122	ERJ6GEYJ562	M 5.6KOHM,J,1/10W	1	
R4126,27	ERJ6GEYJ562	M 5.6KOHM,J,1/10W	2	
R4129	ERJ3GEYJ0R00	M 0 OHM, 1/16W	1	
R4130-32	ERJ6GEYJ331	M 330 OHM,J,1/10W	3	

Ref. No.	Part No.	Part Name & Description	Pcs	Remarks
R4133,34	ERJ3EKF1020	M 102 OHM, 1/16W	2	
R4135	ERJ3EKF68R0	M 68 OHM, J, 1/16W	1	
R4136	ERJ3GEYJ220	M 22 OHM, J, 1/16W	1	
R4137	ERJ3GEYJ103	M 10KOHM, J, 1/16W	1	
R4140,41	ERJ3GEYJ220	M 22 OHM, J, 1/16W	2	
R4142-44	ERJ3GEYJ221	M 220 OHM, J, 1/16W	3	
R4145-47	ERJ3EKF68R0	M 68 OHM, J, 1/16W	3	
R4149	ERJ3GEYJ0R00	M 0 OHM, 1/16W	1	
R4151	ERJ3GEYJ0R00	M 0 OHM, 1/16W	1	
R4153-55	ERJ3GEYJ0R00	M 0 OHM, 1/16W	3	
R4163,64	ERJ3GEYJ0R00	M 0 OHM, 1/16W	2	
R4165	ERJ3GEYJ680	M 68 OHM, J, 1/16W	1	
R4166-68	ERJ3GEYJ221	M 220 OHM, J, 1/16W	3	
R4169	ERJ3GEYJ471	M 470 OHM, J, 1/16W	1	
R4170,71	ERJ3GEYJ680	M 68 OHM, J, 1/16W	2	
R4172	ERJ3GEYJ0R00	M 0 OHM, 1/16W	1	
R4173	ERJ3GEYJ680	M 68 OHM, J, 1/16W	1	
R4174	ERJ3GEYJ221	M 220 OHM, J, 1/16W	1	
R4175,76	ERJ3GEYJ680	M 68 OHM, J, 1/16W	2	
R4179	ERJ3GEYJ680	M 68 OHM, J, 1/16W	1	
R4181	ERJ3GEYJ680	M 68 OHM, J, 1/16W	1	
R4182	ERJ3GEYJ223	M 22KOHM, J, 1/16W	1	
R4183-85	ERJ3GEYJ680	M 68 OHM, J, 1/16W	3	
R4186	ERJ3GEYJ223	M 22KOHM, J, 1/16W	1	
R4187	ERJ3GEYJ0R00	M 0 OHM, 1/16W	1	
R4188,89	ERJ3EKF75R0	M 0.75HM, 1/16W	2	
R4190	ERJ3GEYJ680	M 68 OHM, J, 1/16W	1	
R4191	ERJ3EKF82R0	M 82 OHM, 1/16W	1	
R4192	ERJ3GEYJ680	M 68 OHM, J, 1/16W	1	
R4193	ERJ3GEYJ220	M 22 OHM, J, 1/16W	1	
R4194	ERJ3GEYJ680	M 68 OHM, J, 1/16W	1	
R4195,96	ERJ3GEYJ220	M 22 OHM, J, 1/16W	2	
R4198	ERJ3GEYJ0R00	M 0 OHM, 1/16W	1	
R4199	ERJ3GEYJ680	M 68 OHM, J, 1/16W	1	
R4200	ERJ3EKF68R0	M 68 OHM, J, 1/16W	1	
R4201	ERJ3EKF82R0	M 82 OHM, 1/16W	1	
R4202	ERJ3EKF68R0	M 68 OHM, J, 1/16W	1	
R4203	ERJ3GEYJ680	M 68 OHM, J, 1/16W	1	
R4204	ERJ3GEYJ223	M 22KOHM, J, 1/16W	1	
R4206	ERJ3GEYJ0R00	M 0 OHM, 1/16W	1	
R4207-10	ERJ3GEYJ680	M 68 OHM, J, 1/16W	4	
R4211	ERJ3GEYJ0R00	M 0 OHM, 1/16W	1	
R4212	ERJ3EKF68R0	M 68 OHM, J, 1/16W	1	
R4214	ERJ3GEYJ102	M 1KOHM, J, 1/16W	1	
R4215	ERJ3EKF68R0	M 68 OHM, J, 1/16W	1	
R4216	ERJ3EKF1500	M 150 OHM, 1/16W	1	
R4217	ERJ3EKF33R0	M 33 OHM, 1/16W	1	
R4218	ERJ3GEYJ0R00	M 0 OHM, 1/16W	1	
R4219	ERJ3EKF1070	M 107 OHM, 1/16W	1	
R4222	ERJ3EKF1020	M 102 OHM, 1/16W	1	
R4223	ERJ3GEYJ220	M 22 OHM, J, 1/16W	1	
R4224	ERJ3GEYJ0R00	M 0 OHM, 1/16W	1	
R4231	ERJ3GEYJ0R00	M 0 OHM, 1/16W	1	
R4237	ERJ3EKF68R0	M 68 OHM, J, 1/16W	1	
R4239	ERJ3EKF82R0	M 82 OHM, 1/16W	1	
R4240	ERJ3GEYJ510	M 51 OHM, J, 1/16W	1	
R4242	ERJ3GEYJ510	M 51 OHM, J, 1/16W	1	
R4243,44	ERJ3EKF75R0	M 0.75HM, 1/16W	2	
R4253	ERJ3GEYJ151	M 150 OHM, J, 1/16W	1	
R4258,59	ERJ3GEYJ151	M 150 OHM, J, 1/16W	2	
R4260	ERJ6GEYJ331	M 330 OHM, J, 1/10W	1	

Ref. No.	Part No.	Part Name & Description	Pcs	Remarks
R4265,66	ERJ6GEYJ331	M 330 OHM, J, 1/10W	2	
R4267-69	ERJ3GEYJ0R00	M 0 OHM, 1/16W	3	
R4276	ERJ3GEYJ361	M 360 OHM, J, 1/16W	1	
R4279	ERJ3GEYJ181	M 180 OHM, J, 1/16W	1	
R4281	ERJ3GEYJ181	M 180 OHM, J, 1/16W	1	
R4283	ERJ6GEYJ361	M 360 OHM, J, 1/10W	1	
R4285	ERJ6GEYJ561	M 560 OHM, J, 1/10W	1	
R4287	ERJ6GEYJ561	M 560 OHM, J, 1/10W	1	
R4288	ERJ3GEYJ0R00	M 0 OHM, 1/16W	1	
R4290	ERJ3GEYJ0R00	M 0 OHM, 1/16W	1	
R4291	ERJ3GEYJ103	M 10KOHM, J, 1/16W	1	
R4294,95	ERJ3GEYJ102	M 1KOHM, J, 1/16W	2	
R4296	ERJ3GEYJ473	M 47KOHM, J, 1/16W	1	
R4297	ERJ3EKF1800	M 180 OHM, 1/16W	1	
R4298,99	ERJ3GEYJ0R00	M 0 OHM, 1/16W	2	
R4301	ERJ3GEYJ0R00	M 0 OHM, 1/16W	1	
R4302	ERJ3EKF2870	M 287 OHM, 1/16W	1	
R4303	ERJ3GEYJ102	M 1KOHM, J, 1/16W	1	
R4304,05	ERJ3EKF4700	M 470 OHM, 1/16W	2	
R4306	ERJ3GEYJ0R00	M 0 OHM, 1/16W	1	
R4307,08	ERJ3EKF3601	M 3.6KOHM, 1/16W	2	
R4309	ERJ3GEYJ0R00	M 0 OHM, 1/16W	1	
R4310,11	ERJ3EKF4700	M 470 OHM, 1/16W	2	
R4312	ERJ3GEYJ222	M 2.2KOHM, J, 1/16W	1	
R4313	ERJ3EKF1000	M 100 OHM, 1/16W	1	
R4314	ERJ3EKF3601	M 3.6KOHM, 1/16W	1	
R4315	ERJ3GEYJ223	M 22KOHM, J, 1/16W	1	
R4316	ERJ3EKF3601	M 3.6KOHM, 1/16W	1	
R4317	ERJ3EKF2201	M 2.2KOHM, 1/16W	1	
R4318	ERJ3GEYJ0R00	M 0 OHM, 1/16W	1	
R4319	ERJ3GEYF5100	M 510 OHM, 1/16W	1	
R4320,21	ERJ6GEYJ821	M 820 OHM, J, 1/10W	2	
R4322	ERJ6GEYJ681	M 680 OHM, J, 1/10W	1	
R4323	ERJ3EKF1331	M 13.3KOHM, 1/16W	1	
R4324,25	ERJ6GEYJ821	M 820 OHM, J, 1/10W	2	
R4326	ERJ6GEYJ681	M 680 OHM, J, 1/10W	1	
R4327-30	ERJ3GEYJ330	M 33 OHM, J, 1/16W	4	
R4331	ERJ6GEYJ331	M 330 OHM, J, 1/10W	1	
R4332	ERJ3GEYJ330	M 33 OHM, J, 1/16W	1	
R4333	ERJ3GEYJ0R00	M 0 OHM, 1/16W	1	
R4334	ERJ3GEYJ330	M 33 OHM, J, 1/16W	1	
R4335,36	ERJ6GEYJ471	M 470 OHM, J, 1/10W	2	
R4337	ERJ3GEYJ0R00	M 0 OHM, 1/16W	1	
R4338	ERJ6GEYJ331	M 330 OHM, J, 1/10W	1	
R4339	ERJ3GEYJ0R00	M 0 OHM, 1/16W	1	
R4340	ERJ6GEYJ471	M 470 OHM, J, 1/10W	1	
R4341	ERJ3GEYJ0R00	M 0 OHM, 1/16W	1	
R4342	ERJ6GEYJ471	M 470 OHM, J, 1/10W	1	
R4343-45	ERJ3GEYJ0R00	M 0 OHM, 1/16W	3	
R4346	ERJ3GEYJ102	M 1KOHM, J, 1/16W	1	
R4347	ERJ3GEYJ0R00	M 0 OHM, 1/16W	1	
R4348	ERJ3EKF4700	M 470 OHM, 1/16W	1	
R4349-54	ERJ3GEYJ0R00	M 0 OHM, 1/16W	6	
R4355,56	ERJ3EKF1401	M 1.4KOHM, 1/16W	2	
R4357,58	ERJ3EKF1001	M 1KOHM, 1/16W	2	
R4359-64	ERJ3EKF33R0	M 33 OHM, 1/16W	6	
R4365	ERJ3EKF2701	M 2.7KOHM, 1/16W	1	
R4366	ERJ3EKF4700	M 470 OHM, 1/16W	1	
R4367	ERJ3EKF2701	M 2.7KOHM, 1/16W	1	

Ref. No.	Part No.	Part Name & Description	Pcs	Remarks
R4368-70	ERJ3EKF1500	M 150 OHM, 1/16W	3	
R4371,72	ERJ3GEYJ0R00	M 0 OHM, 1/16W	2	
R4373	ERJ3GEYJ101	M 100 OHM,J,1/16W	1	D0GB101JA002
R4374-76	ERJ3EKF33R0	M 33 OHM, 1/16W	3	
R4377	ERJ3EKF1401	M 1.4KOHM, 1/16W	1	
R4378-80	ERJ3EKF33R0	M 33 OHM, 1/16W	3	
R4381	ERJ3EKF2701	M 2.7KOHM, 1/16W	1	
R4382	ERJ3EKF4700	M 470 OHM, 1/16W	1	
R4383	ERJ3GEYJ0R00	M 0 OHM, 1/16W	1	
R4384	ERJ3GEYJ331	M 330 OHM,J,1/16W	1	
R4385-87	ERJ3EKF1500	M 150 OHM, 1/16W	3	
R4388	ERJ3EKF1001	M 1KOHM, 1/16W	1	
R4389,90	ERJ3GEYJ0R00	M 0 OHM, 1/16W	2	
R4391	ERJ3GEYJ220	M 22 OHM,J,1/16W	1	
R4392	ERJ3GEYJ471	M 470 OHM,J,1/16W	1	
R4393	ERJ3GEYJ0R00	M 0 OHM, 1/16W	1	
R4394	ERJ3GEYJ220	M 22 OHM,J,1/16W	1	
R4395-97	ERJ3GEYJ0R00	M 0 OHM, 1/16W	3	
R4398	ERJ3GEYJ152	M 1.5KOHM,J,1/16W	1	
R4399	ERJ3EKF1500	M 150 OHM, 1/16W	1	
R4400	EXB38V560J	RESISTOR ARRAY	1	
R4401	ERJ3GEYJ101	M 100 OHM,J,1/16W	1	D0GB101JA002
R4402,03	ERJ3GEYJ0R00	M 0 OHM, 1/16W	2	
R4404	ERJ3GEYJ220	M 22 OHM,J,1/16W	1	
R4405	EXB38V560J	RESISTOR ARRAY	1	
R4406-08	ERJ3GEYJ220	M 22 OHM,J,1/16W	3	
R4409	EXB38V560J	RESISTOR ARRAY	1	
R4410-14	ERJ3GEYJ560	M 56 OHM,J,1/16W	5	
R4415	ERJ3GEYJ390	M 39 OHM,J,1/16W	1	
R4416	TAJAAH0470JV	M 47 OHM,J,1/16W	1	D0GB470JA006
R4417	ERJ3GEYJ390	M 39 OHM,J,1/16W	1	
R4418,19	ERJ3GEYJ560	M 56 OHM,J,1/16W	2	
R4420	ERJ3GEYJ0R00	M 0 OHM, 1/16W	1	
R4421,22	D1HG5608A002	NETWORK RESISTER	2	
R4423,24	EXB38V560J	RESISTOR ARRAY	2	
R4425,26	D1HG5608A002	NETWORK RESISTER	2	
R4427,28	ERJ3GEYJ220	M 22 OHM,J,1/16W	2	
R4429	ERJ3GEYJ0R00	M 0 OHM, 1/16W	1	
R4430	TAJAAH0470JV	M 47 OHM,J,1/16W	1	D0GB470JA006
R4431	ERJ3GEYJ220	M 22 OHM,J,1/16W	1	
R4432	EXB2HV680J	RESISTOR ARRAY	1	
R4440	ERJ3GEYJ224	M 220KOHM,J,1/16W	1	
R4441	ERJ3GEYJ103	M 10KOHM,J,1/16W	1	
R4442	ERJ3GEYJ220	M 22 OHM,J,1/16W	1	
R4444	EXB2HV680J	RESISTOR ARRAY	1	
R4447	ERJ3GEYJ103	M 10KOHM,J,1/16W	1	
R4456	ERJ3GEYJ102	M 1KOHM,J,1/16W	1	
R4460	ERJ3GEYJ220	M 22 OHM,J,1/16W	1	
R4461	ERJ3GEYJ102	M 1KOHM,J,1/16W	1	
R4463,64	EXB38V680J	RESISTOR ARRAY	2	
R4470	ERJ3EKF1001	M 1KOHM, 1/16W	1	
R4474	ERJ3GEYJ102	M 1KOHM,J,1/16W	1	
R4475	ERJ3EKF1001	M 1KOHM, 1/16W	1	
R4476	ERJ3EKF3301	M 3.3KOHM, 1/16W	1	
R4477-79	TAJAAH0470JV	M 47 OHM,J,1/16W	3	D0GB470JA006
R4481	ERJ3GEYJ0R00	M 0 OHM, 1/16W	1	
R4485	ERJ3GEYJ103	M 10KOHM,J,1/16W	1	
R4486	ERJ3GEYJ153	M 15KOHM,J,1/16W	1	
R4489	ERJ3GEYJ0R00	M 0 OHM, 1/16W	1	

Ref. No.	Part No.	Part Name & Description	Pcs	Remarks
R4492	ERJ8GEY0R00	M 0 OHM, 1/8W	1	
R4493	ERJ3EKF9102	M91.0KOHM, 1/16W	1	
R4494	ERJ3EKF7152	M71.5KOHM, 1/16W	1	
R4495	ERJ3GEYJ471	M 470 OHM,J,1/16W	1	
R4496	ERJ3GEYJ222	M 2.2KOHM,J,1/16W	1	
R4497	ERJ3EKF1101	M 1.1KOHM, 1/16W	1	
R4498	ERJ3EKF2201	M 2.2KOHM, 1/16W	1	
R4499	ERJ3EKF2701	M 2.7KOHM, 1/16W	1	
R4500,01	ERJ3EKF75R0	M 0.75HM, 1/16W	2	
R4502	ERJ3EKF6200	M 620 OHM, 1/16W	1	
R4503	ERJ3EKF2201	M 2.2KOHM, 1/16W	1	
R4504	ERJ3EKF1101	M 1.1KOHM, 1/16W	1	
R4505	ERJ3EKF2201	M 2.2KOHM, 1/16W	1	
R4506,07	ERJ3EKF75R0	M 0.75HM, 1/16W	2	
R4508,09	ERJ3EKF2701	M 2.7KOHM, 1/16W	2	
R4510	ERJ3EKF2201	M 2.2KOHM, 1/16W	1	
R4511	ERJ3EKF1101	M 1.1KOHM, 1/16W	1	
R4512	ERJ3EKF1500	M 150 OHM, 1/16W	1	
R4513	ERJ3GEYJ331	M 330 OHM,J,1/16W	1	
R4516	ERJ3GEYJ0R00	M 0 OHM, 1/16W	1	
R4517	ERJ3GEYJ821	M 820 OHM,J,1/16W	1	
R4518	ERJ3GEYJ681	M 680 OHM,J,1/16W	1	
R4519	ERJ3EKF1000	M 100 OHM, 1/16W	1	
R4520	ERJ3GEYJ331	M 330 OHM,J,1/16W	1	
R4521	ERJ3GEYJ560	M 56 OHM,J,1/16W	1	
R4522	ERJ3GEYJ0R00	M 0 OHM, 1/16W	1	
R4528	ERJ3GEYJ560	M 56 OHM,J,1/16W	1	
R4529	ERJ3GEYJ471	M 470 OHM,J,1/16W	1	
R4530	ERJ3GEYJ220	M 22 OHM,J,1/16W	1	
R4531	ERJ3GEYJ220	M 22 OHM,J,1/16W	1	
R4532	TAJAAH0680JV	M 68 OHM,J,1/16W	1	D0GB680JA006
R4533,34	EXB2HV680J	RESISTOR ARRAY	2	
R4535	ERJ3GEYJ0R00	M 0 OHM, 1/16W	1	
R4536	EXB2HV680J	RESISTOR ARRAY	1	
R4537	ERJ3GEYJ0R00	M 0 OHM, 1/16W	1	
R4543	ERJ3GEYJ0R00	M 0 OHM, 1/16W	1	
R4544-46	EXB2HV680J	RESISTOR ARRAY	3	
R4547	TAJAAH0680JV	M 68 OHM,J,1/16W	1	D0GB680JA006
R4548,49	EXB2HV680J	RESISTOR ARRAY	2	
R4550	ERJ3GEYJ0R00	M 0 OHM, 1/16W	1	
R4551	EXB2HV680J	RESISTOR ARRAY	1	
R4552	ERJ3GEYJ0R00	M 0 OHM, 1/16W	1	
R4565	ERJ3GEYJ0R00	M 0 OHM, 1/16W	1	
R4566-68	EXB2HV680J	RESISTOR ARRAY	3	
R4569-71	ERJ3GEYJ0R00	M 0 OHM, 1/16W	3	
R4588	ERJ3GEYJ333	M 33KOHM,J,1/16W	1	
R4589	ERJ3GEYJ563	M 56KOHM,J,1/16W	1	
R4593-95	ERJ3GEYJ101	M 100 OHM,J,1/16W	3	D0GB101JA002
R4596	ERJ3GEYJ0R00	M 0 OHM, 1/16W	1	
R4612-15	EXB38V560J	RESISTOR ARRAY	4	
R4616	ERJ3GEYJ102	M 1KOHM,J,1/16W	1	
R4617,18	ERJ3GEYJ0R00	M 0 OHM, 1/16W	2	
R4720	ERJ3GEYJ101	M 100 OHM,J,1/16W	1	D0GB101JA002
R4721	ERJ6GEYJ222	M 2.2KOHM,J,1/10W	1	
R4722	ERJ3GEYJ0R00	M 0 OHM, 1/16W	1	
R4724	ERJ3GEYJ0R00	M 0 OHM, 1/16W	1	
R4737	ERJ3GEYJ0R00	M 0 OHM, 1/16W	1	
R4739-45	ERJ3GEYJ0R00	M 0 OHM, 1/16W	7	
R4749,50	ERJ3GEYJ223	M 22KOHM,J,1/16W	2	
R4752	ERJ3GEYJ223	M 22KOHM,J,1/16W	1	
R4753	ERJ3GEYJ104	M 100KOHM,J,1/16W	1	
R4760	ERJ3GEYJ221	M 220 OHM,J,1/16W	1	
R4761	ERJ3GEYJ102	M 1KOHM,J,1/16W	1	

Ref. No.	Part No.	Part Name & Description	Pcs	Remarks
R4762	ERJ3GEYJ101	M 100 OHM, J, 1/16W	1	D0GB101JA002
R4765, 66	ERJ3GEYJ0R00	M 0 OHM, 1/16W	2	
R4768	ERJ3GEYJ0R00	M 0 OHM, 1/16W	1	
R4771, 72	ERJ3GEYJ0R00	M 0 OHM, 1/16W	2	
R4785	ERJ3GEYJ220	M 22 OHM, J, 1/16W	1	
R4786	DLHG5608A002	NETWORK RESISTOR	1	
R4787	ERJ3GEYJ0R00	M 0 OHM, 1/16W	1	
R4790, 91	ERJ3GEYJ220	M 22 OHM, J, 1/16W	2	
R4794	ERJ3GEYJ0R00	M 0 OHM, 1/16W	1	
R4798	ERJ3GEYJ0R00	M 0 OHM, 1/16W	1	
R4801-04	ERJ3GEYJ0R00	M 0 OHM, 1/16W	4	
R4807, 08	ERJ3GEYJ0R00	M 0 OHM, 1/16W	2	
R4814	ERJ3GEYJ103	M 10KOHM, J, 1/16W	1	
R4815	ERJ3GEYJ153	M 15KOHM, J, 1/16W	1	
R4816	ERJ3GEYJ103	M 10KOHM, J, 1/16W	1	
R4817	ERJ3GEYJ153	M 15KOHM, J, 1/16W	1	
R4818	ERJ3GEYJ103	M 10KOHM, J, 1/16W	1	
R4819	ERJ3GEYJ153	M 15KOHM, J, 1/16W	1	
R4820	ERJ3EKF5760	M 576 OHM, 1/16W	1	
R4832	ERJ3GEY0R00	M 0 OHM, 1/16W	1	
R4833	ERJ3GEY0R00	M 0 OHM, 1/16W	1	
R6502, 03	ERJ3GEYJ103	M 10KOHM, J, 1/16W	2	
R6505	ERJ3GEYJ101	M 100 OHM, J, 1/16W	1	D0GB101JA002
R6506	ERJ3GEYJ103	M 10KOHM, J, 1/16W	1	
R6509-24	TAJAAH0470JV	M 47 OHM, J, 1/16W	16	D0GB470JA006
R6527-30	ERJ3GEYJ223	M 22KOHM, J, 1/16W	4	
R6531-49	TAJAAH0470JV	M 47 OHM, J, 1/16W	19	D0GB470JA006
R6550, 51	ERJ3GEYJ223	M 22KOHM, J, 1/16W	2	
R6552-57	ERJ3GEYJ101	M 100 OHM, J, 1/16W	6	D0GB101JA002
R6558-61	ERJ3GEYJ223	M 22KOHM, J, 1/16W	4	
R6562	ERJ3GEYJ0R00	M 0 OHM, 1/16W	1	
R6564, 65	ERJ3GEYJ101	M 100 OHM, J, 1/16W	2	D0GB101JA002
R6567	ERJ3GEYJ102	M 1KOHM, 1/16W	1	
R6568	ERJ3GEYJ103	M 10KOHM, J, 1/16W	1	
R6570	ERJ3GEYJ103	M 10KOHM, J, 1/16W	1	
R6573	ERJ3GEYJ223	M 22KOHM, J, 1/16W	1	
R6575	ERJ3GEYJ223	M 22KOHM, J, 1/16W	1	
R6576-79	ERJ1TYJ100	M 10OHM, J, 1W	4	
R6587-89	ERJ3GEYJ220	M 22 OHM, J, 1/16W	3	
R6593	ERJ3GEYJ472	M 4.7KOHM, J, 1/16W	1	
R6594	ERJ3GEYJ220	M 22 OHM, J, 1/16W	1	
R6596, 97	ERJ3GEYJ0R00	M 0 OHM, 1/16W	2	
R6598	ERJ3GEYJ220	M 22 OHM, J, 1/16W	1	
R6599-02	ERJ3GEYJ472	M 4.7KOHM, J, 1/16W	4	
R6607	ERJ3GEYJ103	M 10KOHM, J, 1/16W	1	
R6609	ERJ3GEYJ103	M 10KOHM, J, 1/16W	1	
R6612	ERJ3GEYJ103	M 10KOHM, J, 1/16W	1	
R6614	ERJ3GEYJ103	M 10KOHM, J, 1/16W	1	
R6616	ERJ3GEYJ103	M 10KOHM, J, 1/16W	1	
R6618, 19	ERJ3GEYJ103	M 10KOHM, J, 1/16W	2	
R6621, 22	ERJ3GEYJ103	M 10KOHM, J, 1/16W	2	
R6624	ERJ3GEYJ103	M 10KOHM, J, 1/16W	1	
R6626	ERJ3GEYJ103	M 10KOHM, J, 1/16W	1	
R6628, 29	ERJ3GEYJ103	M 10KOHM, J, 1/16W	2	
R6631, 32	ERJ3GEYJ103	M 10KOHM, J, 1/16W	2	
R6634	ERJ3GEYJ472	M 4.7KOHM, J, 1/16W	1	

Ref. No.	Part No.	Part Name & Description	Pcs	Remarks
R6635, 36	ERJ3GEYJ103	M 10KOHM, J, 1/16W	2	
R6638	ERJ3GEYJ472	M 4.7KOHM, J, 1/16W	1	
R6639, 40	ERJ3GEYJ103	M 10KOHM, J, 1/16W	2	
R6642	ERJ3GEYJ472	M 4.7KOHM, J, 1/16W	1	
R6643, 44	ERJ3GEYJ103	M 10KOHM, J, 1/16W	2	
R6646	ERJ3GEYJ472	M 4.7KOHM, J, 1/16W	1	
R6647	ERJ3GEYJ223	M 22KOHM, J, 1/16W	1	
R6649	ERJ3GEYJ103	M 10KOHM, J, 1/16W	1	
R6651, 52	ERJ3GEYJ103	M 10KOHM, J, 1/16W	2	
R6654	ERJ3GEYJ103	M 10KOHM, J, 1/16W	1	
R6656	ERJ3GEYJ103	M 10KOHM, J, 1/16W	1	
R6658	ERJ3GEYJ223	M 22KOHM, J, 1/16W	1	
R6659	ERJ3GEYJ103	M 10KOHM, J, 1/16W	1	
R6661	ERJ3GEYJ103	M 10KOHM, J, 1/16W	1	
R6662	ERJ3GEYJ102	M 1KOHM, J, 1/16W	1	
R6663-66	ERJ3GEYJ103	M 10KOHM, J, 1/16W	4	
R6668-07	ERJ3GEYJ220	M 22 OHM, J, 1/16W	40	
R6708-18	ERJ3GEY0R00	M 0 OHM, 1/16W	11	
R6719	ERJ3GEYJ221	M 220 OHM, 1/16W	1	
R6720	ERJ3GEY0R00	M 0 OHM, 1/16W	1	
R6721, 22	ERJ3GEYJ221	M 220 OHM, 1/16W	2	
R6723, 24	ERJ3GEY0R00	M 0 OHM, 1/16W	2	
R6727, 28	ERJ3GEYJ0R00	M 0 OHM, 1/16W	2	
R6732, 33	ERJ3GEY0R00	M 0 OHM, 1/16W	2	
R6734	ERJ3GEYJ101	M 100 OHM, 1/16W	1	
R6735, 36	ERJ3GEY0R00	M 0 OHM, 1/16W	2	
R6739	ERJ3GEYJ0R00	M 0 OHM, 1/16W	1	
R6742-61	TAJAAH0470JV	M 47 OHM, J, 1/16W	20	D0GB470JA006
R6763, 64	ERJ3GEYJ103	M 10KOHM, J, 1/16W	2	
R6768-71	ERJ3GEYJ101	M 100 OHM, J, 1/16W	4	D0GB101JA002
R6774-80	ERJ3GEYJ101	M 100 OHM, J, 1/16W	7	D0GB101JA002
R6781-85	ERJ3GEYJ103	M 10KOHM, J, 1/16W	5	
R6786	ERJ3GEYJ750	M 75 OHM, J, 1/16W	1	
R6787	ERJ3GEYJ101	M 100 OHM, J, 1/16W	1	D0GB101JA002
R6788	ERJ3GEYJ102	M 1KOHM, J, 1/16W	1	
R6789	ERJ3EKF1001	M 1KOHM, 1/16W	1	
R6790	ERJ3GEYJ750	M 75 OHM, J, 1/16W	1	
R6791	ERJ3GEYJ101	M 100 OHM, J, 1/16W	1	D0GB101JA002
R6792	ERJ3EKF6801	M 6.8KOHM, 1/16W	1	
R6793	ERJ3EKF5101	M 5.1KOHM, 1/16W	1	
R6795	ERJ3GEYJ102	M 1KOHM, J, 1/16W	1	
R6806	ERJ3GEYJ0R00	M 0 OHM, 1/16W	1	
R6807	ERJ3GEYJ221	M 220 OHM, J, 1/16W	1	
R6808	ERJ3GEYJ241	M 240 OHM, J, 1/16W	1	
R6809, 10	ERJ3GEYJ101	M 100 OHM, J, 1/16W	2	D0GB101JA002
R6813-15	ERJ3GEYJ333	M 33KOHM, J, 1/16W	3	
R6816, 17	ERJ3GEYJ101	M 100 OHM, J, 1/16W	2	D0GB101JA002
R6819	ERJ3GEYJ101	M 100 OHM, J, 1/16W	1	D0GB101JA002
R4820	ERJ3GEYJ100	M 100 OHM, 1/16W	1	
R6822	ERJ3GEYJ101	M 100 OHM, J, 1/16W	1	D0GB101JA002
R6823	ERJ3GEYJ102	M 1KOHM, J, 1/16W	1	
R6833	ERJ3GEYJ101	M 100 OHM, J, 1/16W	1	D0GB101JA002
R6834	ERJ3GEYJ472	M 4.7KOHM, J, 1/16W	1	
R6835-41	ERJ3GEYJ103	M 10KOHM, J, 1/16W	7	
R6843-48	ERJ3GEYJ101	M 100 OHM, J, 1/16W	6	D0GB101JA002

Ref. No.	Part No.	Part Name & Description	Pcs	Remarks
R6850	ERJ3GEYJ0R00	M 0 OHM, 1/16W	1	
R6853,54	ERJ3GEYJ102	M 1KOHM, J, 1/16W	2	
R6855-74	ERJ3GEYJ101	M 100 OHM, J, 1/16W	20	D0GB101JA002
R6875,76	ERJ3GEYJ103	M 10KOHM, J, 1/16W	2	
R6877	ERJ3GEYJ0R00	M 0 OHM, 1/16W	1	
R6880	ERJ3GEYJ0R00	M 0 OHM, 1/16W	1	
R6884	ERJ3GEYJ151	M 150 OHM, J, 1/16W	1	
R6885,86	TAJAAH0470JV	M 47 OHM, J, 1/16W	2	D0GB470JA006
R6887	ERJ3GEYJ101	M 100 OHM, J, 1/16W	1	D0GB101JA002
R6889	ERJ3GEYJ103	M 10KOHM, J, 1/16W	1	
R7000	ERC12ZGK105	S 1MOHM, K, 1/2W	1	△
R7001-08	ERJ6GEYJ273	M 27KOHM, J, 1/10W	8	
R7010	ERG2SJV331	M 330 OHM, J, 2W	1	
R7100-03	ERJ6GEYJ474	M 470KOHM, J, 1/10W	4	
R7104,05	ERX1FJS3R3D	M 3.2 OHM, J, 1W	2	
R7106,07	ERX1FJSR22D	M 0.22 OHM, J, 1W	2	
R7108,09	ERJ6GEYJ681	M 680 OHM, J, 1/10W	2	
R7110	ERJ6GEYJ332	M 3.3KOHM, J, 1/10W	1	
R7111,12	ERDS2TJ332	C 3.3KOHM, J, 1/4W	2	
R7113	ERJ6GEYJ102	M 1KOHM, J, 1/10W	1	
R7114	ERJ6GEYJ220	M 22 OHM, J, 1/10W	1	
R7115	ERDS2TJ470	C 47 OHM, J, 1/4W	1	
R7116	ERJ6GEYJ333	M 33KOHM, J, 1/10W	1	
R7117	ERJ6GEYJ103	M 10KOHM, J, 1/10W	1	
R7118	ERJ6GEYJ473	M 47KOHM, J, 1/10W	1	
R7119	ERJ6GEYJ102	M 1KOHM, J, 1/10W	1	
R7120	ERJ6GEYJ220	M 22 OHM, J, 1/10W	1	
R7121	ERDS2TJ472	C 4.7KOHM, J, 1/4W	1	
R7122	ERJ6GEYJ472	M 4.7KOHM, J, 1/10W	1	
R7123	ERJ6GEYJ102	M 1KOHM, J, 1/10W	1	
R7124	ERJ6GEYJ101	M 100 OHM, J, 1/10W	1	
R7126,27	ERGLSJ223	M 22KOHM, J, 1W	2	
R7130	ERGLSJ100P	M 10 OHM, J, 1W	1	
R7131,32	ERDS2TJ224	C 220KOHM, J, 1/4W	2	
R7133,34	ERDS2TJ474	C 470KOHM, J, 1/4W	2	
R7135	ERJ6GEYJ103	M 10KOHM, J, 1/10W	1	
R7136	ERJ6GEYJ392	M 3.9KOHM, J, 1/10W	1	
R7137	ERDS2TJ332	C 3.3KOHM, J, 1/4W	1	
R7138	ERJ6GEYJ152	M 1.5KOHM, J, 1/10W	1	
R7139	ERJ6GEYJ561	M 560 OHM, J, 1/10W	1	
R7140	ERJ6GEYJ222	M 2.2KOHM, J, 1/10W	1	
R7141	ERJ6GEY0R00	M 0 OHM, 1/10W	1	
R7142-44	ERJ6GEYJ102	M 1KOHM, J, 1/10W	3	
R7145	ERJ6GEYJ152	M 1.5KOHM, J, 1/10W	1	
R7146	ERJ6GEYJ561	M 560 OHM, J, 1/10W	1	
R7148	ERGLSJ220	M 22 OHM, J, 1W	1	
R7149	ERJ6GEYJ391	M 390 OHM, J, 1/10W	1	
R7151,52	ERJ6GEYJ103	M 10KOHM, J, 1/10W	2	
R7153,54	ERJ6GEYJ102	M 1KOHM, J, 1/10W	2	
R7158	ERGLSJ473	M 47KOHM, J, 1W	1	
R7159	ERJ6GEYJ392	M 3.9KOHM, J, 1/10W	1	
R7160	ERJ6ENF1022	M 10.2KOHM, 1/10W	1	
R7161	ERJ6ENF2201	M 2.2KOHM, 1/10W	1	
R7162,63	ERJ6GEYJ102	M 1KOHM, J, 1/10W	2	
R7164	ERJ6GEYJ103	M 10KOHM, J, 1/10W	1	
R7165	ERJ6GEY0R00	M 0 OHM, 1/10W	1	
R7167	ERJ6GEYJ332	M 3.3KOHM, J, 1/10W	1	
R7169	ERJ6GEYJ473	M 47KOHM, J, 1/10W	1	
R7170	ERJ6GEYJ222	M 2.2KOHM, J, 1/10W	1	

Ref. No.	Part No.	Part Name & Description	Pcs	Remarks
R7177	ERJ6GEYJ103	M 10KOHM, J, 1/10W	1	
R7178,79	ERJ6GEYJ472	M 4.7KOHM, J, 1/10W	2	
R7180,81	ERJ6GEYJ103	M 10KOHM, J, 1/10W	2	
R7186	ERDS2TJ222	C 2.2KOHM, J, 1/4W	1	
R7187	ERJ6GEYJ152	M 1.5KOHM, J, 1/10W	1	
R7188	ERDS2TJ102	C 1KOHM, J, 1/4W	1	
R7189	ERJ6GEYJ333	M 33KOHM, J, 1/10W	1	
R7190	ERDS2TJ151	C 150 OHM, J, 1/4W	1	
R7191	ERJ6GEYJ473	M 47KOHM, J, 1/10W	1	
R7192	ERDS1TJ220	C 22 OHM, J, 1/2W	1	
R7193	ERJ6GEYJ472	M 4.7KOHM, J, 1/10W	1	
R7194	ERJ6GEYJ102	M 1KOHM, J, 1/10W	1	
R7195-97	ERJ6GEYJ103	M 10KOHM, J, 1/10W	3	
R7198	ERJ6GEYJ472	M 4.7KOHM, J, 1/10W	1	
R7199	ERJ6GEYJ103	M 10KOHM, J, 1/10W	1	
R7200	ERJ6GEYJ472	M 4.7KOHM, J, 1/10W	1	
R7201	ERJ6GEYJ220	M 22 OHM, J, 1/10W	1	
R7202	ERJ6GEYJ102	M 1KOHM, J, 1/10W	1	
R7203	ERJ6GEYJ104	M 100KOHM, J, 1/10W	1	
R7204-07	ERJ6GEYJ102	M 1KOHM, J, 1/10W	4	
RL7100	K6B2ADA00007	REALY	1	△
RM1000	PNA4701M04TV	REMOTE CONTROL RECEIVER	1	
RTL	TNPA3069AA	CIRCUIT BOARD K	1	△
RTL	TNPA3070AB	CIRCUIT BOARD V	1	△
RTL	TNPH0566AB	CIRCUIT BOARD A	1	△
RTL	TNPA3068AA	CIRCUIT BOARD H	1	△
RTL	TNPA3071AA	CIRCUIT BOARD P	1	△
RTL	TNPA3072AB	CIRCUIT BOARD AP	1	△
RTL	TXNDG10KZK	CIRCUIT BOARD DG	1	△
RTL	TNPA3074AB	CIRCUIT BOARD TA	1	△
RTL	TXNJV10KCM	CIRCUIT BOARD JG	1	△
SW1000	K0F162B00002	SWITCH	1	
SW1050-54	EVQ11G05R	SWITCH	5	
T801	ETS28AU2F6AC	SWITCHING TRANSFORMER	1	△
T7001	G4D3A0000147	SWITCHING TRANSFORMER	1	△
T7003	ETS35BC2C6ND	SWITCHING TRANSFORMER	1	△
TA1	K1KB15B00013	15P CONNECTOR	1	
TA2	K1KB09B00019	9P CONNECTOR	1	
TU001	ENG29526G	TUNER	1	△
V1	TJS3A8810	15P CONNECTOR	1	K1KA15A00041
X1101	H0J600400006	CRYSTAL	1	
X2101	H0J1845000020	CRYSTAL	1	
X3103	EFCS7004BF	CERAMIC FILTER	1	
X3104	EFCS6504BF	CERAMIC FILTER	1	
X4001	H0J202500011	CRYSTAL	1	
X6502	H1A4905B0001	CRYSTAL	1	
ZA801-03	K4ZZ01000121	EARTH LUG	3	
ZA3101-06	K4ZZ01000121	EARTH LUG	6	
ZA3801,02	K4ZZ01000121	EARTH LUG	2	
ZA4001-05	K4CD01000002	TERMINAL	5	
ZA4006-24	TESA169	SHIELD CLIP	19	

Ref. No.	Part No.	Part Name & Description	Pcs	Remarks
ZA6501-21	K4ZZ01000179	TERMINAL	21	
ZA7001, 02	K4ZZ01000121	EARTH LUG	2	
ZA7004	K4ZZ01000121	EARTH LUG	1	