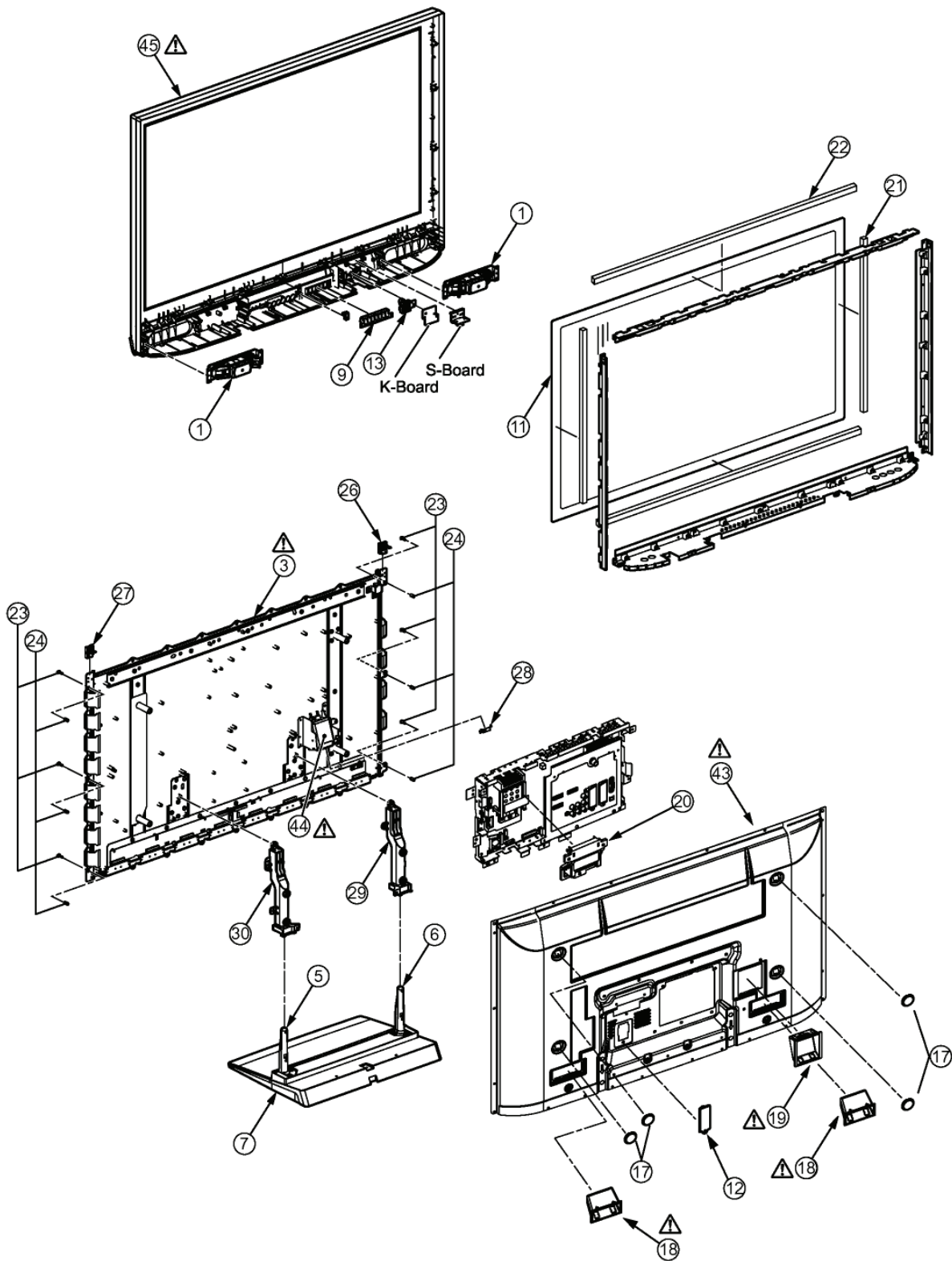


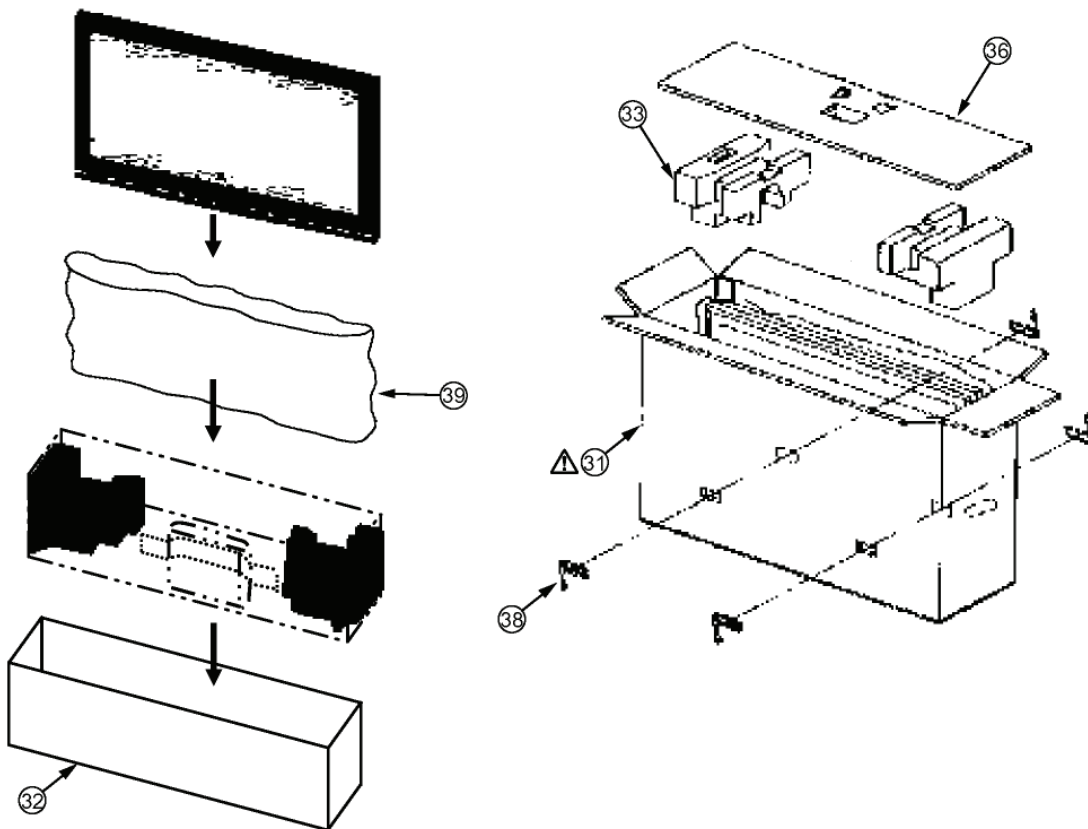
13 Exploded View and Replacement Parts List

13.1. Exploded View and Mechanical Replacement Parts List

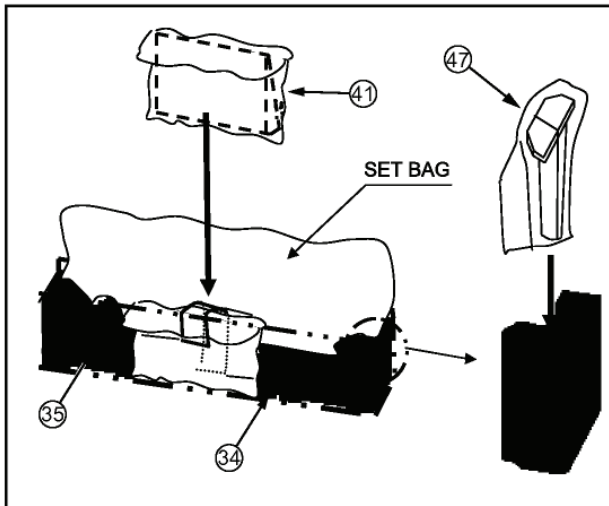
13.1.1. Exploded View



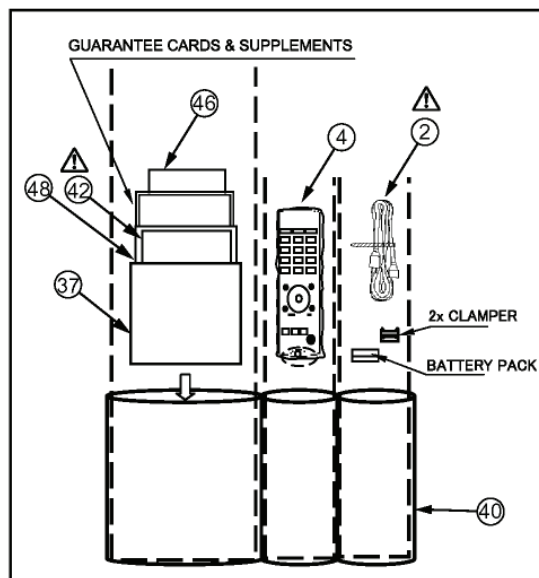
13.1.2. Packing



BACK SIDE VIEW







ACCESSORY



13.1.3. Mechanical Replacement Parts List

Note:

All parts except parts mentioned [PAVCCZ] in the Remarks column are supplied by PAVC-CSG.
Parts mentioned [PAVCCZ] are supplied by PAVCCZ.

Safety	Ref. No.	Part No.	Part Name & Description	Q'ty	Remarks
	1	EAS16S06A	SPEAKER	2	
	2	K2CN3DH00006	AC CORD	1	
	3	MD42H11A2J	PLASMA DISPLAY PANEL	1	
	4	N2QAYB000239	REMOTE CONTROL	1	PAVCCZ
	5	TBLA3632	STAND POLE RIGHT	1	
	6	TBLA3633	STAND POLE LEFT	1	
	7	TBLX0053	PEDESTAL STAND	1	PAVCCZ
		TBM0E1187	REAR TERMINAL SHEET A	1	PAVCCZ
	9	TBX0E84201	CONTROL BUTTON	1	PAVCCZ
		THEJ016J	SCREW(AC INRET:2)	2	
		THEL0429	SCREW	14	
		THEL052Z	SCREW (BC TOP:4)	4	
		THEL062N	SCREW(STAND-TV)	4	PAVCCZ
		THTF011N	SCREW	32	
	11	TKGA5473	FRONT GLASS	1	PAVCCZ
	12	TKK0E9520	ADJUSTMENT COVER	1	PAVCCZ
	13	TKKC5311	LED PANEL	1	
	17	TKR0E0202	M8 SPACER CAP	4	PAVCCZ
	18	TKR0E0302	REAR COVER HANDLE	2	PAVCCZ
	19	TKR0E1301	INLET COVER	1	PAVCCZ
	20	TKR0E1401	CI COVER	1	PAVCCZ
	21	TMK0E722	SPONGE (LEFT/RIGHT)	2	PAVCCZ
	22	TMK0E729	SPONGE (UPPER/BOTTOM)	2	PAVCCZ
	23	TMM0E302	REAR COVER SPACER	6	PAVCCZ
	24	TMM0E311	REAR COVER SPACER RING	6	PAVCCZ
		TMM0E313	M8 SPACER	4	PAVCCZ
		TMM0E410	CLAMPER	2	PAVCCZ
		TMM17499	CLAMPER	2	
		TMM25401	CLAMPER	1	
		TMM6428-1	CLAMPER	1	
		TMME061	CLAMPER	3	
		TMME088	CLAMPER	2	
		TMME190	CLAMPER	1	
		TMME260	CLAMPER	1	
		TMME287	CLAMPER	11	
		TMME289	CLAMPER	1	
		TMME292	CLAMPER	12	
	26	TMMX214	REAR COVER HOOK LEFT	1	
	27	TMMX215	REAR COVER HOOK RIGHT	1	
	28	TMXX045	AC CORD HOLDER	1	
		TMXX055	AC CORD CLAMPER	2	
	29	TMZX5137	STAND BRACKET LEFT	1	PAVCCZ
	30	TMZX5138	STAND BRACKET RIGHT	1	PAVCCZ

Safety	Ref. No.	Part No.	Part Name & Description	Q'ty	Remarks
	31	TPC0E47500B	CARTON BOX TOP	1	PAVCCZ
	32	TPC0E47600	CARTON BOX BOTTOM	1	PAVCCZ
	33	TPD0E1036	TOP CUSHION	1	PAVCCZ
	34	TPD0E2010	PEDESTAL CUSHION	1	PAVCCZ
	35	TPD0E2045	CUSHION BOTTOM SIDE	1	PAVCCZ
	36	TPD0E9123	TOP PAD	1	PAVCCZ
	37	TPD0E9137	ACCESSORIES PAD	1	PAVCCZ
	38	TPD169487	JOINT	4	
	39	TPE0E4019-1	SET BAG	1	PAVCCZ
	40	TPE0E9001	ACCESSORIES BAG	1	PAVCCZ
	41	TPEB333-1	BAG (STAND)	1	
		TPEB341	STAND ACCESSORY BAG	1	PAVCCZ
	42	TQB0E0686A	INSTRUCTION BOOK (GERMAN)	1	PAVCCZ
	42	TQB0E0686B	INSTRUCTION BOOK (DUTCH)	1	PAVCCZ
	42	TQB0E0686C	INSTRUCTION BOOK (ITALIAN)	1	PAVCCZ
	42	TQB0E0686D	INSTRUCTION BOOK (FRENCH)	1	PAVCCZ
	42	TQB0E0686E	INSTRUCTION BOOK (SPANISH)	1	PAVCCZ
	42	TQB0E0686F	INSTRUCTION BOOK (SWEDISH)	1	PAVCCZ
	42	TQB0E0686G	INSTRUCTION BOOK (NORWEGIAN)	1	PAVCCZ
	42	TQB0E0686H	INSTRUCTION BOOK (FINNISH)	1	PAVCCZ
	42	TQB0E0686I	INSTRUCTION BOOK (LITHUANIAN)	1	PAVCCZ
	42	TQB0E0686J	INSTRUCTION BOOK (PORTUGUESE)	1	PAVCCZ
	42	TQB0E0686K	INSTRUCTION BOOK (DANISH)	1	PAVCCZ
	42	TQB0E0686M	INSTRUCTION BOOK (BULGARIAN)	1	PAVCCZ
	42	TQB0E0686N	INSTRUCTION BOOK (ROMANIAN)	1	PAVCCZ
	42	TQB0E0686O	INSTRUCTION BOOK (LATVIAN)	1	PAVCCZ
	42	TQB0E0686P	INSTRUCTION BOOK (POLISH)	1	PAVCCZ
	42	TQB0E0686Q	INSTRUCTION BOOK (HUNGARIAN)	1	PAVCCZ
	42	TQB0E0686R	INSTRUCTION BOOK (CZECH)	1	PAVCCZ
	42	TQB0E0686S	INSTRUCTION BOOK (GREEK)	1	PAVCCZ
	42	TQB0E0686T	INSTRUCTION BOOK (TURKISH)	1	PAVCCZ
	42	TQB0E0686U	INSTRUCTION BOOK (ENGLISH)	1	PAVCCZ
	42	TQB0E0686W	INSTRUCTION BOOK (SLOVAKIAN)	1	PAVCCZ
	42	TQB0E0686X	INSTRUCTION BOOK (CD-ROM)	1	PAVCCZ
	42	TQB0E0686Z	INSTRUCTION BOOK (ESTONIAN)	1	PAVCCZ
		TQZJ030	SCREW USE HANDBILL	1	PAVCCZ
		TSXL519	CABLE (C10-C20/SU11-SD11)	2	
		TSXL664	CABLE (C11-A31)	1	
		TSXL665	CABLE (C21-A32)	1	
		TSXL699	CABLE (A20-SC20)	1	
	43	TTU0E0385	REAR COVER	1	PAVCCZ
	44	TXAJS01RRTB	AC INLET ASSY	1	PAVCCZ
	45	TXFKY01RRTDA	CABINET ASSY	1	PAVCCZ

Safety	Ref. No.	Part No.	Part Name & Description	Q'ty	Remarks
	46	TXFPE01RLTB	CLEANING CLOTH ASSY	1	PAVCCZ
		TXJA12RRTB	SPEAKER LEAD(A12-SP)	1	
		TXJSWRRRTB	SPEAKER LEAD(SP-SPR/L)	2	
		XSB3+6FJ	SCREW	3	
		XTB4+12GFJ	SCREW	41	
		XTB4+12GFJK	SCREW	13	
		XTB4+12GFN	TAP SCREW	4	
		XTS4+12GFN	SCREW	2	
		XTV3+10JFJK	SCREW	4	
		XYN3+F8FJ	SCREW	15	
		XYN3+J10FJ	SCREW	1	
		XYN3+J12FJ	SCREW	44	
		XYN3+J8FJ	SCREW	4	
		XYN4+E8FJ	SCREW	1	
		XYN4+F10FJ	SCREW	15	
		XYN4+F30FJK	SCREW	6	
		XYN5+C15FJ	SCREW	6	
		XYN5+F18FN	SCREW (STAND POLE)	4	
	47	XZB17X19C03	POLY BAG (STAND POLE)	1	
	48	XZBT6506	POLY BAG (INSTRUCTION BOOK)	1	

13.2. Electrical Replacement Parts List

13.2.1. Replacement Parts List Notes

RTL (Retention Time Limited)

Note: The marking (RTL) indicates that the Retention Time is Limited for this item. After the discontinuation of this assembly in production, the item will continue to be available for a specific period of time. The retention period of availability is dependant on the type of assembly, and in accordance with the laws governing part and product retention. After the end of this period, the assembly will no longer be available.

Abbreviation of part name and description

1. Resistor

Example:

ERD25TJ104 C 100KOHM, J, 1/4W
 Type Allowance

2. Capacitor

Example:

ECKF1H103ZF C 0.01UF, Z, 50V
 Type Allowance

Type	Allowance
C : Carbon	F : ±1%
F : Fuse	G : ±2%
M : Metal Oxide Metal Film	J : ±5%
S : Solid	K : ±10%
W : Wire Wound	M : ±20%

Type	Allowance
C : Ceramic	C : ±0.25pF
E : Electrolytic	D : ±0.5pF
P : Polyester	F : ±1pF
Polyprop	G : ±3pF
lene	J : ±5pF
T : Tantalum	K : ±10pF
	L : ±15pF
	M : ±20pF
	P : +100%, -0%
	Z : +80%, -20%

13.2.2. Electrical Replacement Parts List

Note: All parts except parts mentioned [PAVCCZ] in the Remarks column are supplied by PAVC-CSG.
Parts mentioned [PAVCCZ] are supplied by PAVCCZ.

Safety	Ref. No.	Part No.	Part Name & Description	Pcs	Remarks
	A1	K1KA11A00178	11P CONNECTOR	1	
	A7	K1KY22A00003	22P CONNECTOR	1	
	A12	K1KA04AA0190	4P CONNECTOR	1	
	A20	K1KY30BA0090	30P CONNECTOR	1	
	A25	K1KA11A00178	11P CONNECTOR	1	
	A31	K1MN55BA0266	55P CONNECTOR	1	
	A32	K1MN68BA0266	68P CONNECTOR	1	
	A33	K1KA11AA0715	11P CONNECTOR	1	
	A34	K1KA20AA0009	20P CONNECTOR	1	
	A35	K1KA04AA0104	4P CONNECTOR	1	
	A51	K1KA16AA0729	16P CONNECTOR	1	
	A52	K1KA14A00248	14P CONNECTOR	1	
	C10	K1MN20BA0231	20P CONNECTOR	1	
	C11	K1MN55BA0266	55P CONNECTOR	1	
	C20	K1MN20BA0266	20P CONNECTOR	1	
	C21	K1MN68BA0266	68P CONNECTOR	1	
	C23	K1KA12BA0107	12P CONNECTOR	1	
	C1102	FIJ1A106A043	C 0.010UF, K, 10V	1	
	C1103	FIG1C104A116	C 0.10UF, K, 16V	1	
	C1104	FIG1C104A116	C 0.10UF, K, 16V	1	
	C1106	FIH1H270A971	C 27UF, 50V	1	
	C1107	FIG1H220A731	C 22UF, 50V	1	
	C1108	FIG1C104A116	C 0.10UF, K, 16V	1	
	C1109	FIH1A1050032	C 10UF, 50V	1	
	C1111	FIH1A1050032	C 10UF, 50V	1	
	C1112	FIG1C104A116	C 0.10UF, K, 16V	1	
	C1114	FIG1C104A116	C 0.10UF, K, 16V	1	
	C1117	FIG1C104A116	C 0.10UF, K, 16V	1	
	C1122	FIG1E103A123	C 0.010UF, K, 16V	1	
	C1123	FIH1A1050032	C 10UF, 50V	1	
	C1127	FIG1C104A116	C 0.10UF, K, 16V	1	
	C1129	FIG1H101A565	C 100PF, K, 50V	1	
	C1131	FIG1H101A565	C 100PF, K, 50V	1	
	C1133	FIG1H1020008	C 1000UF, 50V	1	
	C1136	FIG1H1020008	C 1000UF, 50V	1	
	C1138	FIG1H560A731	C 56UF, 50V	1	
	C2023	FIG1C104A116	C 0.10UF, K, 16V	1	
	C2048	FIG1C104A116	C 0.10UF, K, 16V	1	
	C2049	FIG1C104A116	C 0.10UF, K, 16V	1	
	C2050	FIG1C104A116	C 0.10UF, K, 16V	1	
	C2052	FIG1C104A116	C 0.10UF, K, 16V	1	
	C2053	FIG1C104A116	C 0.10UF, K, 16V	1	
	C2054	FIJ1A106A043	C 0.010UF, K, 10V	1	
	C2055	FIG1H150A731	C 15UF, 50V	1	
	C2056	FIG1H180A731	C 18UF, 50V	1	
	C2057	FIG1C104A116	C 0.10UF, K, 16V	1	
	C2058	FIG1C104A116	C 0.10UF, K, 16V	1	
	C2059	FIJ1A106A043	C 0.010UF, K, 10V	1	
	C2091	FIG1H150A731	C 15UF, 50V	1	
	C2092	FIG1H220A731	C 22UF, 50V	1	
	C2096	FIG1C104A116	C 0.10UF, K, 16V	1	
	C2098	F2G0J2210013	E 220UF 6.3V	1	
	C2099	F2G0J2210013	E 220UF 6.3V	1	
	C2100	FIG1C104A116	C 0.10UF, K, 16V	1	
	C2101	FIJ1A106A043	C 0.010UF, K, 10V	1	
	C2102	FIG1C104A116	C 0.10UF, K, 16V	1	
	C2105	FIG1C104A116	C 0.10UF, K, 16V	1	

Safety	Ref. No.	Part No.	Part Name & Description	Pcs	Remarks
		C2106	FIG1C104A116	C 0.10UF, K, 16V	1
		C2107	F2G0J470A019	E 47UF 6.3V	1
		C2108	F2G0J470A019	E 47UF 6.3V	1
		C2109	FIG1C104A116	C 0.10UF, K, 16V	1
		C2110	FIG1C104A116	C 0.10UF, K, 16V	1
		C2111	FIH0J2250008	C 2.2UF, K, 16V	1
		C2112	FIJ1A106A043	C 0.010UF, K, 10V	1
		C2113	FIJ1A106A043	C 0.010UF, K, 10V	1
		C2114	FIG1C104A116	C 0.10UF, K, 16V	1
		C2115	FIG1C104A116	C 0.10UF, K, 16V	1
		C2116	FIG1H471A731	C 470UF, 50V	1
		C2117	FIG1C104A116	C 0.10UF, K, 16V	1
		C2118	FIH1A1050032	C 10UF, 50V	1
		C2119	EEH1A221P	C 220PF, J, 10V	1
		C2120	FIG1H560A731	C 56UF, 50V	1
		C2121	FIG1H560A731	C 56UF, 50V	1
		C2122	FIG1E103A123	C 0.010UF, K, 16V	1
		C2123	FIG1E103A123	C 0.010UF, K, 16V	1
		C2124	FIG1C104A116	C 0.10UF, K, 16V	1
		C2125	FIG1E103A123	C 0.010UF, K, 16V	1
		C2126	FIJ1A106A043	C 0.010UF, K, 10V	1
		C2127	FIG1E103A123	C 0.010UF, K, 16V	1
		C2128	FIG1E103A123	C 0.010UF, K, 16V	1
		C2129	FIG1E103A123	C 0.010UF, K, 16V	1
		C2135	FIG1E103A123	C 0.010UF, K, 16V	1
		C2136	FIG1E103A123	C 0.010UF, K, 16V	1
		C2137	FIJ1A106A043	C 0.010UF, K, 10V	1
		C2138	FIG1C104A116	C 0.10UF, K, 16V	1
		C2151	FIJ1A106A043	C 0.010UF, K, 10V	1
		C2174	FIH1A1050032	C 10UF, 50V	1
		C2175	F2G0J470A019	E 47UF 6.3V	1
		C2176	FIG1E103A123	C 0.010UF, K, 16V	1
		C2179	F2G0J470A019	E 47UF 6.3V	1
		C2180	FIH1A1050032	C 10UF, 50V	1
		C2184	FIG1H102A730	C 1000UF, 50V	1
		C2187	FIH0J2250008	C 2.2UF, K, 16V	1
		C2188	FIG1H471A730	C 470UF, 50V	1
		C2189	FIH1A1050032	C 10UF, 50V	1
		C2191	FIJ1A106A043	C 0.010UF, K, 10V	1
		C2192	F2G0J470A019	E 47UF 6.3V	1
		C2195	FIG1H102A730	C 1000UF, 50V	1
		C2197	FIH1E333A129	C 0.033UF, 25V	1
		C2198	FIH1E333A129	C 0.033UF, 25V	1
		C2201	FIG1A473A053	C 0.47UF, 10V	1
		C2202	FIH0J2250008	C 2.2UF, K, 16V	1
		C2203	FIH1A1050032	C 10UF, 50V	1
		C2204	FIH1A1050032	C 10UF, 50V	1
		C2213	FIG1H102A730	C 1000UF, 50V	1
		C2216	FIG1C104A116	C 0.10UF, K, 16V	1
		C2244	FIG1C104A116	C 0.10UF, K, 16V	1
		C2245	FIG1H102A730	C 1000UF, 50V	1
		C2246	FIJ1A106A043	C 0.010UF, K, 10V	1

Safety	Ref. No.	Part No.	Part Name & Description	Pcs	Remarks
	C2251	F1J1A106A043	C 0.010UF, K, 10V	1	
	C2261	F1J1A106A043	C 0.010UF, K, 10V	1	
	C2262	F1J1A106A043	C 0.010UF, K, 10V	1	
	C2263	F1J1A106A043	C 0.010UF, K, 10V	1	
	C2264	F1J1A106A043	C 0.010UF, K, 10V	1	
	C2301	F1G1C104A116	C 0.10UF, K, 16V	1	
	C2302	F1G1C104A116	C 0.10UF, K, 16V	1	
	C2303	F1J1E105A171	C 1 UF 25V	1	
	C2305	F1J1E105A171	C 1 UF 25V	1	
	C2307	F1J1E105A171	C 1 UF 25V	1	
	C2313	F1H1A1050032	C 10UF, 50V	1	
	C2317	ECJ1VB1H104K	C 0.1UF, K, 50V	1	
	C2319	ECJ1VB1H104K	C 0.1UF, K, 50V	1	
	C2321	ECJ1VB1H104K	C 0.1UF, K, 50V	1	
	C2323	ECJ1VB1H104K	C 0.1UF, K, 50V	1	
	C2333	F1J1E3340003	C 0.33UF, Z, 25V	1	
	C2335	F1J1E3340003	C 0.33UF, Z, 25V	1	
	C2337	F1H1H223A970	C 0.22UF, K, 50V	1	
	C2339	F1H1H223A970	C 0.22UF, K, 50V	1	
	C2341	F1J1E3340003	C 0.33UF, Z, 25V	1	
	C2343	F1J1E3340003	C 0.33UF, Z, 25V	1	
	C2345	F1H1H223A970	C 0.22UF, K, 50V	1	
	C2347	F1H1H223A970	C 0.22UF, K, 50V	1	
	C2353	F1G1H102A730	C 1000UF, 50V	1	
	C2361	F2G1E4710007	E 470UF, 25V	1	
	C2362	ECJ3YB1E106M	C 10 UF, K, 25V	1	
	C2375	F1H1H223A970	C 0.22UF, K, 50V	1	
	C2377	F1H1H223A970	C 0.22UF, K, 50V	1	
	C2379	F1H1H223A970	C 0.22UF, K, 50V	1	
	C2381	F1H1H223A970	C 0.22UF, K, 50V	1	
	C2383	F1G1H102A730	C 1000UF, 50V	1	
	C2385	F1G1H102A730	C 1000UF, 50V	1	
	C2387	F1G1H102A730	C 1000UF, 50V	1	
	C2389	F1G1H102A730	C 1000UF, 50V	1	
	C2393	F1K1C1060004	C 0.010UF, 16V	1	
	C2394	F1J1H474A757	C 0.47UF, 50V	1	
	C2395	F1J1H474A757	C 0.47UF, 50V	1	
	C2399	F2G0J470A019	E 47UF 6.3V	1	
	C2400	F1G1C104A116	C 0.10UF, K, 16V	1	
	C2401	F1G1H181A731	C 180UF, 50V	1	
	C2402	F1G1C104A116	C 0.10UF, K, 16V	1	
	C2403	F2G1V220A020	E 22UF, 35V	1	
	C2404	F1G1H102A730	C 1000UF, 50V	1	
	C2407	F2H0J1010009	C 100UF, 6.3V	1	
	C2408	F1G1C104A116	C 0.10UF, K, 16V	1	
	C2409	F2G0J1020022	E 1100PF, J, 6.3V	1	
	C2410	F1H0J2250008	C 2.2UF, K, 16V	1	
	C2411	ECJ1VB1H104K	C 0.1UF, K, 50V	1	
	C2412	F2G1H100A031	E 10UF, 50V	1	
	C2413	F1H1A1050032	C 10UF, 50V	1	
	C2414	F1G1C104A116	C 0.10UF, K, 16V	1	
	C2415	F1G1C104A116	C 0.10UF, K, 16V	1	
	C2418	F1G1E103A123	C 0.010UF, K, 16V	1	
	C2419	F1G1H101A731	C 100PF, K, 50V	1	
	C2420	F1G1C104A116	C 0.10UF, K, 16V	1	
	C2427	F1H1A1050032	C 10UF, 50V	1	
	C2434	F1G1C104A116	C 0.10UF, K, 16V	1	
	C2511	F1H1C104A143	C 0.1UF, K, 16V	1	
	C2512	F1J1A106A043	C 0.010UF, K, 10V	1	
	C2515	F1H1H103A970	C 0.001UF, K, 50V	1	
	C2517	F1H1H103A970	C 0.001UF, K, 50V	1	
	C2521	F1H1H103A970	C 0.001UF, K, 50V	1	
	C2522	ECJ1VB1H102K	C 1000PF, K, 50V	1	
	C2523	ECJ1VB1H102K	C 1000PF, K, 50V	1	

Safety	Ref. No.	Part No.	Part Name & Description	Pcs	Remarks
	C2524	ECJ1VB1H102K	C 1000PF, K, 50V	1	
	C2525	ECJ1VB1H102K	C 1000PF, K, 50V	1	
	C2526	ECJ1VB1H102K	C 1000PF, K, 50V	1	
	C2527	ECJ1VB1H102K	C 1000PF, K, 50V	1	
	C3002	F1H1H561A971	C 560UF, 50V	1	
	C3003	F1H1H561A971	C 560UF, 50V	1	
	C3004	F1H1H561A971	C 560UF, 50V	1	
	C3005	F1H1H561A971	C 560UF, 50V	1	
	C3007	F1H1H561A971	C 560UF, 50V	1	
	C3008	F1H1H561A971	C 560UF, 50V	1	
	C3009	F1H1H561A971	C 560UF, 50V	1	
	C3010	F1H1H561A971	C 560UF, 50V	1	
	C3011	F1H1H561A971	C 560UF, 50V	1	
	C3012	F1H1H561A971	C 560UF, 50V	1	
	C3013	F1H1H561A971	C 560UF, 50V	1	
	C3014	F1H1H561A971	C 560UF, 50V	1	
	C3018	F1J1A106A043	C 0.010UF, K, 10V	1	
	C3019	F1J1A106A043	C 0.010UF, K, 10V	1	
	C3020	F1J1A106A043	C 0.010UF, K, 10V	1	
	C3021	F1J1A106A043	C 0.010UF, K, 10V	1	
	C3022	F1H1A1050032	C 10UF, 50V	1	
	C3023	F1G1C104A116	C 0.10UF, K, 16V	1	
	C3024	F1H1A1050032	C 10UF, 50V	1	
	C3025	F1H1A1050032	C 10UF, 50V	1	
	C3026	F1H1A1050032	C 10UF, 50V	1	
	C3027	F1J1A106A043	C 0.010UF, K, 10V	1	
	C3028	F1J1A106A043	C 0.010UF, K, 10V	1	
	C3029	F1J1A106A043	C 0.010UF, K, 10V	1	
	C3030	F1J1A106A043	C 0.010UF, K, 10V	1	
	C3039	F1H1A1050032	C 10UF, 50V	1	
	C3041	F1H1A1050032	C 10UF, 50V	1	
	C3043	F1H1A1050032	C 10UF, 50V	1	
	C3044	F1H1A1050032	C 10UF, 50V	1	
	C3046	F1H1A1050032	C 10UF, 50V	1	
	C3047	F1H1A1050032	C 10UF, 50V	1	
	C3048	F1H1A1050032	C 10UF, 50V	1	
	C3049	F1H1A1050032	C 10UF, 50V	1	
	C3064	F1G1H102A730	C 1000UF, 50V	1	
	C3065	F1G1H102A730	C 1000UF, 50V	1	
	C3070	F1J1A106A043	C 0.010UF, K, 10V	1	
	C3071	F1J1A106A043	C 0.010UF, K, 10V	1	
	C3072	F1G1C104A116	C 0.10UF, K, 16V	1	
	C3073	F1J1A106A043	C 0.010UF, K, 10V	1	
	C3074	F1J1A106A043	C 0.010UF, K, 10V	1	
	C3075	F1H1A1050032	C 10UF, 50V	1	
	C3077	F1G1C104A116	C 0.10UF, K, 16V	1	
	C3078	F1J1A106A043	C 0.010UF, K, 10V	1	
	C3083	F1J1A106A043	C 0.010UF, K, 10V	1	
	C3084	F1J1A106A043	C 0.010UF, K, 10V	1	
	C3085	F1J1A106A043	C 0.010UF, K, 10V	1	
	C3086	F1J1A106A043	C 0.010UF, K, 10V	1	
	C3087	F1J1A106A043	C 0.010UF, K, 10V	1	
	C3088	F1J1A106A043	C 0.010UF, K, 10V	1	
	C3089	F1J1A106A043	C 0.010UF, K, 10V	1	
	C3090	F1J1A106A043	C 0.010UF, K, 10V	1	

Safety	Ref. No.	Part No.	Part Name & Description	Pcs	Remarks
	C3091	FLJ1A106A043	C 0.010UF, K, 10V	1	
	C3092	FLJ1A106A043	C 0.010UF, K, 10V	1	
	C3095	F2G1C1010034	E 100PF, J, 16V	1	
	C3097	F2G1C1010034	E 100PF, J, 16V	1	
	C3102	F2G1C1010034	E 100PF, J, 16V	1	
	C3103	F2G1C1010034	E 100PF, J, 16V	1	
	C3107	FLJ1A106A043	C 0.010UF, K, 10V	1	
	C3108	FLJ1A106A043	C 0.010UF, K, 10V	1	
	C3109	FLJ1A106A043	C 0.010UF, K, 10V	1	
	C3114	FLJ1A106A043	C 0.010UF, K, 10V	1	
	C3115	FLJ1A106A043	C 0.010UF, K, 10V	1	
	C3116	FLJ1A106A043	C 0.010UF, K, 10V	1	
	C3117	FLJ1A106A043	C 0.010UF, K, 10V	1	
	C3139	FIG1C104A116	C 0.10UF, K, 16V	1	
	C3140	FIG1C104A116	C 0.10UF, K, 16V	1	
	C3141	FIG1C104A116	C 0.10UF, K, 16V	1	
	C3143	FIG1C104A116	C 0.10UF, K, 16V	1	
	C3144	FLJ1A106A043	C 0.010UF, K, 10V	1	
	C3145	FIG1C104A116	C 0.10UF, K, 16V	1	
	C3146	FLJ1A106A043	C 0.010UF, K, 10V	1	
	C3147	FLJ1A106A043	C 0.010UF, K, 10V	1	
	C3701	ECJ2XC1H561K	C 560PF, K, 50V	1	
	C3703	ECJ2XC1H561K	C 560PF, K, 50V	1	
	C3711	ECJ2VF1H333Z	C 0.033UF, Z, 50V	1	
	C3712	ECJ2VF1H333Z	C 0.033UF, Z, 50V	1	
	C3750	FLJ1H102A721	C 1000UF, 50V	1	
	C4500	FIG1C104A116	C 0.10UF, K, 16V	1	
	C4501	FIG1C104A116	C 0.10UF, K, 16V	1	
	C4502	FIG1C104A116	C 0.10UF, K, 16V	1	
	C4503	FIG1C104A116	C 0.10UF, K, 16V	1	
	C4510	FIG1C104A116	C 0.10UF, K, 16V	1	
	C4511	FIG1C104A116	C 0.10UF, K, 16V	1	
	C4533	FIG1H680A731	C 68UF, 50V	1	
	C4534	FIG1C104A116	C 0.10UF, K, 16V	1	
	C4535	FIG1C104A116	C 0.10UF, K, 16V	1	
	C4537	FIG1C104A116	C 0.10UF, K, 16V	1	
	C4547	FIG1C104A116	C 0.10UF, K, 16V	1	
	C4548	FIG1C104A116	C 0.10UF, K, 16V	1	
	C4549	FIG1C104A116	C 0.10UF, K, 16V	1	
	C4550	FIG1C104A116	C 0.10UF, K, 16V	1	
	C4551	FIG1C104A116	C 0.10UF, K, 16V	1	
	C4552	FIG1C104A116	C 0.10UF, K, 16V	1	
	C4553	FIG1H102A730	C 1000UF, 50V	1	
	C4554	F2G1C470A022	E 47UF, 16V	1	
	C4555	FLJ1A106A043	C 0.010UF, K, 10V	1	
	C4567	FIG1C104A116	C 0.10UF, K, 16V	1	
	C4574	FIG1E103A123	C 0.010UF, K, 16V	1	
	C4575	FIG1H1050032	C 10UF, 50V	1	
	C4580	FIG1E103A123	C 0.010UF, K, 16V	1	
	C4585	FIG1H1050032	C 10UF, 50V	1	
	C4595	FIG1E103A123	C 0.010UF, K, 16V	1	
	C4596	FIG1C104A116	C 0.10UF, K, 16V	1	
	C4598	FIG1H1050032	C 10UF, 50V	1	
	C4599	F2G0J470A019	E 47UF 6.3V	1	
	C4600	FIG1C104A116	C 0.10UF, K, 16V	1	
	C4601	F2G0J470A019	E 47UF 6.3V	1	
	C4602	FIG1C104A116	C 0.10UF, K, 16V	1	
	C4603	FIG1H0J2250008	C 2.2UF, K, 16V	1	

Safety	Ref. No.	Part No.	Part Name & Description	Pcs	Remarks
	C4604	FIG1H471A730	C 470UF, 50V	1	
	C4605	FIG1H1A1050032	C 10UF, 50V	1	
	C4606	FLJ1A475A039	C 4.7UF, K, 10V	1	
	C4607	FLJ1A475A039	C 4.7UF, K, 10V	1	
	C4608	FIG1C104A116	C 0.10UF, K, 16V	1	
	C4612	FIG1E103A123	C 0.010UF, K, 16V	1	
	C4613	FIG1H1A1050032	C 10UF, 50V	1	
	C4614	FIG1C104A116	C 0.10UF, K, 16V	1	
	C4616	FLJ1A475A039	C 4.7UF, K, 10V	1	
	C4617	FLJ0G2260001	C 0.001UF, 6.3V	1	
	C4619	FIG1C104A116	C 0.10UF, K, 16V	1	
	C4624	FIG1C104A116	C 0.10UF, K, 16V	1	
	C4625	FIG1C104A116	C 0.10UF, K, 16V	1	
	C4626	FIG1C104A116	C 0.10UF, K, 16V	1	
	C4627	FIG1C104A116	C 0.10UF, K, 16V	1	
	C4628	FIG1C104A116	C 0.10UF, K, 16V	1	
	C4630	FIG1C104A116	C 0.10UF, K, 16V	1	
	C4632	FIG1H1A1050032	C 10UF, 50V	1	
	C4634	FIG1H1A1050032	C 10UF, 50V	1	
	C4636	FIG1H1A1050032	C 10UF, 50V	1	
	C4638	FIG1H1A1050032	C 10UF, 50V	1	
	C4640	FIG1H1A1050032	C 10UF, 50V	1	
	C4642	FIG1H1A1050032	C 10UF, 50V	1	
	C4643	FIG1C104A116	C 0.10UF, K, 16V	1	
	C4644	FIG1C104A116	C 0.10UF, K, 16V	1	
	C4645	FIG1C104A116	C 0.10UF, K, 16V	1	
	C4646	FIG1C104A116	C 0.10UF, K, 16V	1	
	C4702	FIG1C104A116	C 0.10UF, K, 16V	1	
	C4703	FIG1C104A116	C 0.10UF, K, 16V	1	
	C4705	FIG1C104A116	C 0.10UF, K, 16V	1	
	C4706	FIG1C104A116	C 0.10UF, K, 16V	1	
	C4807	FIG1C104A116	C 0.10UF, K, 16V	1	
	C4831	FIG1C104A116	C 0.10UF, K, 16V	1	
	C5400	FLJ1A106A043	C 0.010UF, K, 10V	1	
	C5401	FIG1H1E104A129	C 0.1UF, 25V	1	
	C5402	FIG1E103A123	C 0.010UF, K, 16V	1	
	C5404	FIG1H1H392A970	C 3900PF, K, 50V	1	
	C5405	FIG1H1E104A129	C 0.1UF, 25V	1	
	C5406	ECJ3YB1E106M	C 10 UF, K, 25V	1	
	C5408	FLJ1A106A043	C 0.010UF, K, 10V	1	
	C5412	FIG1K1C1060004	C 0.010UF, 16V	1	
	C5413	FIG1H1E104A129	C 0.1UF, 25V	1	
	C5414	FIG1E103A123	C 0.010UF, K, 16V	1	
	C5416	FIG1H1H472A970	C 4700PF, K, 50V	1	
	C5417	FIG1H1E104A129	C 0.1UF, 25V	1	
	C5418	ECJ3YB1E106M	C 10 UF, K, 25V	1	
	C5420	FIG1K1C1060004	C 0.010UF, 16V	1	
	C5511	ECJ3YB1E106M	C 10 UF, K, 25V	1	
	C5512	FIG1E103A123	C 0.010UF, K, 16V	1	
	C5516	FLJ1A106A043	C 0.010UF, K, 10V	1	
	C5517	FIG1C104A116	C 0.10UF, K, 16V	1	
	C5520	F2G0J2210013	E 220UF 6.3V	1	
	C5521	FIG1C104A116	C 0.10UF, K, 16V	1	
	C5522	FIG1C104A116	C 0.10UF, K, 16V	1	
	C5596	FIG1H1020008	C 1000UF, 50V	1	
	C5597	FIG1H1020008	C 1000UF, 50V	1	
	C5600	FIG1H1A1050032	C 10UF, 50V	1	
	C5601	FIG1C104A116	C 0.10UF, K, 16V	1	
	C5602	ECGRL0G680ER	C 68PF, J, 4V	1	
	C5603	FIG1E103A123	C 0.010UF, K, 16V	1	
	C5604	FIG1E103A123	C 0.010UF, K, 16V	1	
	C5605	FLJ1A475A039	C 4.7UF, K, 10V	1	
	C5606	FIG1H471A730	C 470UF, 50V	1	
	C5607	FIG1H221A731	C 220UF, 50V	1	
	C5608	FIG1C104A116	C 0.10UF, K, 16V	1	
	C5611	ECJ3YB1E106M	C 10 UF, K, 25V	1	

Safety	Ref. No.	Part No.	Part Name & Description	Pcs	Remarks
	C5612	ECJ3YB1E106M	C 10 UF, K, 25V	1	
	C5615	ECJ3YB1E106M	C 10 UF, K, 25V	1	
	C5616	F1G1A473A053	C 0.47UF, 10V	1	
	C5617	F1H1A1050032	C 10UF, 50V	1	
	C5620	F1H1E104A129	C 0.1UF, 25V	1	
	C5621	F1G1E103A123	C 0.010UF, K, 16V	1	
	C5622	F1J1A475A039	C 4.7UF, K, 10V	1	
	C5623	F1G1H471A730	C 470UF, 50V	1	
	C5624	F1G1H221A731	C 220UF, 50V	1	
	C5625	F1G1E103A123	C 0.010UF, K, 16V	1	
	C5626	F1G1C104A116	C 0.10UF, K, 16V	1	
	C5627	F1G1C104A116	C 0.10UF, K, 16V	1	
	C5628	ECGRLOG680ER	C 68PF, J, 4V	1	
	C5629	ECGRLOG680ER	C 68PF, J, 4V	1	
	C5640	F1G1C104A116	C 0.10UF, K, 16V	1	
	C5641	F1G1C104A116	C 0.10UF, K, 16V	1	
	C5642	ECJ3YB1E106M	C 10 UF, K, 25V	1	
	C5643	F1H1E104A129	C 0.1UF, 25V	1	
	C5657	F1H1A225A051	C 22UF, 50V	1	
	C5658	F1G1E103A123	C 0.010UF, K, 16V	1	
	C5661	F1G1E103A123	C 0.010UF, K, 16V	1	
	C5662	F1G1A473A053	C 0.47UF, 10V	1	
	C5663	F1G1E103A123	C 0.010UF, K, 16V	1	
	C5696	EEH1B1E470P	C 47PF, J, 25V	1	
	C5697	F1J1E105A171	C 1 UF 25V	1	
	C5699	ECJ3YB1E106M	C 10 UF, K, 25V	1	
	C5700	ECJ3YB1E106M	C 10 UF, K, 25V	1	
	C5703	F1G1H101A565	C 100PF, K, 50V	1	
	C5704	F1G1H101A565	C 100PF, K, 50V	1	
	C5730	F1G1E103A123	C 0.010UF, K, 16V	1	
	C5731	F2G0J470A019	E 47UF 6.3V	1	
	C7701	F1G1H330A731	C 33UF, 50V	1	
	C7702	F2G0G470A007	E 47UF 6.3V	1	
	C7703	F1G1H330A731	C 33UF, 50V	1	
	C7705	F1G1C104A119	C 0.10UF, K, 16V	1	
	C7708	F1G1C104A119	C 0.10UF, K, 16V	1	
	C7709	F1G1C104A119	C 0.10UF, K, 16V	1	
	C7726	F1G1H330A731	C 33UF, 50V	1	
	C7727	F1G1H330A731	C 33UF, 50V	1	
	C7729	F1J0J106A020	C 0.010UF, K, 16V	1	
	C8003	F1H0J1050012	C 1UF, K, 16V	1	
	C8004	F1H0J1050012	C 1UF, K, 16V	1	
	C8006	F1G1C104A116	C 0.10UF, K, 16V	1	
	C8007	F1G1C104A116	C 0.10UF, K, 16V	1	
	C8008	F1G1C104A116	C 0.10UF, K, 16V	1	
	C8009	F1J1A106A043	C 0.010UF, K, 10V	1	
	C8010	F1J1A106A043	C 0.010UF, K, 10V	1	
	C8011	F1G1C104A116	C 0.10UF, K, 16V	1	
	C8012	F1G1C104A116	C 0.10UF, K, 16V	1	
	C8013	F1G1C104A116	C 0.10UF, K, 16V	1	
	C8014	F1G1C104A116	C 0.10UF, K, 16V	1	
	C8015	F1H0J1050012	C 1UF, K, 16V	1	
	C8016	F1H0J1050012	C 1UF, K, 16V	1	
	C8017	F1J1A106A043	C 0.010UF, K, 10V	1	
	C8018	F1G1C104A116	C 0.10UF, K, 16V	1	
	C8019	F1G1C104A116	C 0.10UF, K, 16V	1	
	C8020	F1G1C104A116	C 0.10UF, K, 16V	1	
	C8021	F1G1C104A116	C 0.10UF, K, 16V	1	
	C8022	F1H0J1050012	C 1UF, K, 16V	1	
	C8023	F1J1A106A043	C 0.010UF, K, 10V	1	
	C8024	F1J1A106A043	C 0.010UF, K, 10V	1	
	C8025	F1G1C104A116	C 0.10UF, K, 16V	1	
	C8026	F1G1C104A116	C 0.10UF, K, 16V	1	

Safety	Ref. No.	Part No.	Part Name & Description	Pcs	Remarks
	C8027	F1G1C104A116	C 0.10UF, K, 16V	1	
	C8028	F1G1C104A116	C 0.10UF, K, 16V	1	
	C8029	F1G1C104A116	C 0.10UF, K, 16V	1	
	C8030	F1H0J1050012	C 1UF, K, 16V	1	
	C8031	F1H0J1050012	C 1UF, K, 16V	1	
	C8032	F1J1A106A043	C 0.010UF, K, 10V	1	
	C8033	F1G1C104A116	C 0.10UF, K, 16V	1	
	C8034	F1G1C104A116	C 0.10UF, K, 16V	1	
	C8035	F1J1A106A043	C 0.010UF, K, 10V	1	
	C8036	F1J1A106A043	C 0.010UF, K, 10V	1	
	C8037	F1G1C104A116	C 0.10UF, K, 16V	1	
	C8038	F1G1C104A116	C 0.10UF, K, 16V	1	
	C8039	F1G1C104A116	C 0.10UF, K, 16V	1	
	C8040	F1G1C104A116	C 0.10UF, K, 16V	1	
	C8041	F1G1C104A116	C 0.10UF, K, 16V	1	
	C8042	ECGRLOG680ER	C 68PF, J, 4V	1	
	C8043	F1G1C104A116	C 0.10UF, K, 16V	1	
	C8044	F1G1C104A116	C 0.10UF, K, 16V	1	
	C8045	F1G1C104A116	C 0.10UF, K, 16V	1	
	C8046	F1G1C104A116	C 0.10UF, K, 16V	1	
	C8047	F1G1C104A116	C 0.10UF, K, 16V	1	
	C8048	F1G1C104A116	C 0.10UF, K, 16V	1	
	C8049	F1G1C104A116	C 0.10UF, K, 16V	1	
	C8050	F1G1C104A116	C 0.10UF, K, 16V	1	
	C8051	F1G1C104A116	C 0.10UF, K, 16V	1	
	C8052	F1H0J1050012	C 1UF, K, 16V	1	
	C8053	F1G1E103A123	C 0.010UF, K, 16V	1	
	C8054	F1G1H180A731	C 18UF, 50V	1	
	C8055	F1G1H7R0A732	C 7.0UF, 50V	1	
	C8056	F1G1C104A116	C 0.10UF, K, 16V	1	
	C8057	F1G1C104A116	C 0.10UF, K, 16V	1	
	C8058	F1J1A106A043	C 0.010UF, K, 10V	1	
	C8070	F1G1C104A116	C 0.10UF, K, 16V	1	
	C8071	F1G1C104A116	C 0.10UF, K, 16V	1	
	C8072	F1G1C104A116	C 0.10UF, K, 16V	1	
	C8073	F1G1C104A116	C 0.10UF, K, 16V	1	
	C8074	F1G1C104A116	C 0.10UF, K, 16V	1	
	C8075	F1J0G2260001	C 0.001UF, 6.3V	1	
	C8076	F1G1C104A116	C 0.10UF, K, 16V	1	
	C8077	F1G1C104A116	C 0.10UF, K, 16V	1	
	C8078	F1G1C104A116	C 0.10UF, K, 16V	1	
	C8079	F1G1C104A116	C 0.10UF, K, 16V	1	
	C8080	F1G1C104A116	C 0.10UF, K, 16V	1	
	C8230	F1G1C104A116	C 0.10UF, K, 16V	1	
	C8231	F1G1C104A116	C 0.10UF, K, 16V	1	
	C8232	F1G1C104A116	C 0.10UF, K, 16V	1	
	C8233	F1G1C104A116	C 0.10UF, K, 16V	1	
	C8234	F1G1C104A116	C 0.10UF, K, 16V	1	
	C8235	F1G1C104A116	C 0.10UF, K, 16V	1	
	C8236	F1G1C104A116	C 0.10UF, K, 16V	1	
	C8237	F1G1C104A116	C 0.10UF, K, 16V	1	
	C8238	F1G1C104A116	C 0.10UF, K, 16V	1	
	C8239	F1G1C104A116	C 0.10UF, K, 16V	1	
	C8240	F1G1C104A116	C 0.10UF, K, 16V	1	
	C8241	F1G1C104A116	C 0.10UF, K, 16V	1	
	C8242	F1G1C104A116	C 0.10UF, K, 16V	1	
	C8243	F1G1C104A116	C 0.10UF, K, 16V	1	
	C8244	F1G1C104A116	C 0.10UF, K, 16V	1	
	C8245	F1G1C104A116	C 0.10UF, K, 16V	1	
	C8246	F1G1C104A116	C 0.10UF, K, 16V	1	
	C8247	F1G1C104A116	C 0.10UF, K, 16V	1	
	C8248	F1G1C104A116	C 0.10UF, K, 16V	1	
	C8306	F1G1H102A730	C 1000UF, 50V	1	
	C8307	F1G1C104A116	C 0.10UF, K, 16V	1	
	C8309	F1G1C104A116	C 0.10UF, K, 16V	1	
	C8310	F2G0G101A007	E 100UF 6.3V	1	
	C8311	F1G1H180A731	C 18UF, 50V	1	
	C8312	F1G1H120A731	C 12UF, 50V	1	

Safety	Ref. No.	Part No.	Part Name & Description	Pcs	Remarks
	C8313	FIG1E103A123	C 0.010UF, K, 16V	1	
	C8314	FIG1E103A123	C 0.010UF, K, 16V	1	
	C8315	FIG1H470A731	C 47UF, 50V	1	
	C8319	FIG1E103A123	C 0.010UF, K, 16V	1	
	C8320	FIG1E103A123	C 0.010UF, K, 16V	1	
	C8321	FIG1E103A123	C 0.010UF, K, 16V	1	
	C8327	FIG1H1A1050032	C 10UF, 50V	1	
	C8328	FIG1H1A1050032	C 10UF, 50V	1	
	C8329	FIG1E103A123	C 0.010UF, K, 16V	1	
	C8330	FIG1E103A123	C 0.010UF, K, 16V	1	
	C8331	FIG1E103A123	C 0.010UF, K, 16V	1	
	C8332	FIG1E103A123	C 0.010UF, K, 16V	1	
	C8333	FIG1E103A123	C 0.010UF, K, 16V	1	
	C8334	FIG1E103A123	C 0.010UF, K, 16V	1	
	C8335	FIG1E103A123	C 0.010UF, K, 16V	1	
	C8336	FIG1E103A123	C 0.010UF, K, 16V	1	
	C8338	FIG1H220A731	C 22UF, 50V	1	
	C8339	FIG1H220A731	C 22UF, 50V	1	
	C8340	FIG1E103A123	C 0.010UF, K, 16V	1	
	C8343	FIG1C104A116	C 0.10UF, K, 16V	1	
	C8344	FIG1C104A116	C 0.10UF, K, 16V	1	
	C8345	FIG1C104A116	C 0.10UF, K, 16V	1	
	C8346	FIG1C104A116	C 0.10UF, K, 16V	1	
	C8405	FIG1C104A116	C 0.10UF, K, 16V	1	
	C8408	FIG1C104A116	C 0.10UF, K, 16V	1	
	C8409	FIG1C104A116	C 0.10UF, K, 16V	1	
	C8410	FIG1C104A116	C 0.10UF, K, 16V	1	
	C8411	F2G1A101A019	E 100UF, 10V	1	
	C8412	FIG1C104A116	C 0.10UF, K, 16V	1	
	C8413	FIG1C104A116	C 0.10UF, K, 16V	1	
	C8414	FIG1C104A116	C 0.10UF, K, 16V	1	
	C8416	FIG1E103A123	C 0.010UF, K, 16V	1	
	C8417	FIG1E103A123	C 0.010UF, K, 16V	1	
	C8555	FIG1C104A116	C 0.10UF, K, 16V	1	
	C8601	FIG1C104A116	C 0.10UF, K, 16V	1	
	C9033	FIG1C104A116	C 0.10UF, K, 16V	1	
	C9034	FIG1C104A116	C 0.10UF, K, 16V	1	
	C9035	FIG1A106A043	C 0.010UF, K, 10V	1	
	C9036	FIG1A106A043	C 0.010UF, K, 10V	1	
	C9037	FIG1E103A123	C 0.010UF, K, 16V	1	
	C9040	FIG1C104A116	C 0.10UF, K, 16V	1	
	C9044	FIG1A475A039	C 4.7UF, K, 10V	1	
	C9045	FIG1C104A116	C 0.10UF, K, 16V	1	
	C9046	FIG1C104A116	C 0.10UF, K, 16V	1	
	C9047	FIG1C104A116	C 0.10UF, K, 16V	1	
	C9048	FIG1C104A116	C 0.10UF, K, 16V	1	
	C9049	FIG1C104A116	C 0.10UF, K, 16V	1	
	C9050	FIG1C104A116	C 0.10UF, K, 16V	1	
	C9051	FIG1C104A116	C 0.10UF, K, 16V	1	
	C9052	FIG1C104A116	C 0.10UF, K, 16V	1	
	C9053	FIG1C104A116	C 0.10UF, K, 16V	1	
	C9055	FIG1C104A116	C 0.10UF, K, 16V	1	
	C9056	FIG1C104A116	C 0.10UF, K, 16V	1	
	C9057	FIG1C104A116	C 0.10UF, K, 16V	1	
	C9061	FIG1C104A116	C 0.10UF, K, 16V	1	
	C9062	FIG1A475A039	C 4.7UF, K, 10V	1	
	C9063	FIG1C104A116	C 0.10UF, K, 16V	1	
	C9064	FIG1C104A116	C 0.10UF, K, 16V	1	

Safety	Ref. No.	Part No.	Part Name & Description	Pcs	Remarks
	C9065	FIG1C104A116	C 0.10UF, K, 16V	1	
	C9468	FIG1E103A123	C 0.010UF, K, 16V	1	
	C9469	FIG1C104A116	C 0.10UF, K, 16V	1	
	C9535	FIG1C104A116	C 0.10UF, K, 16V	1	
	C9536	FIG1C104A116	C 0.10UF, K, 16V	1	
	C9537	FIG1C104A116	C 0.10UF, K, 16V	1	
	C9538	FIG1C104A116	C 0.10UF, K, 16V	1	
	C9539	FIG1C104A116	C 0.10UF, K, 16V	1	
	C9540	FIG1C104A116	C 0.10UF, K, 16V	1	
	C9541	FIG1C104A116	C 0.10UF, K, 16V	1	
	C9542	FIG1C104A116	C 0.10UF, K, 16V	1	
	C9543	FIG1C104A116	C 0.10UF, K, 16V	1	
	C9544	FIG1C104A116	C 0.10UF, K, 16V	1	
	C9545	FIG1C104A116	C 0.10UF, K, 16V	1	
	C9546	FIG1C104A116	C 0.10UF, K, 16V	1	
	C9547	FIG1C104A116	C 0.10UF, K, 16V	1	
	C9548	FIG1C104A116	C 0.10UF, K, 16V	1	
	C9549	FIG1C104A116	C 0.10UF, K, 16V	1	
	C9550	FIG1C104A116	C 0.10UF, K, 16V	1	
	C9825	FIG1H101A731	C 100PF, K, 50V	1	
	C9832	FIG1A106A043	C 0.010UF, K, 10V	1	
	C9840	FIG1E103A123	C 0.010UF, K, 16V	1	
	C9841	FIG1C104A116	C 0.10UF, K, 16V	1	
	C9842	FIG1C104A116	C 0.10UF, K, 16V	1	
	C9858	ECJ3YB1E106M	C 10 UF, K, 25V	1	
	C9859	FIG1E103A123	C 0.010UF, K, 16V	1	
	C9860	FIG1A475A039	C 4.7UF, K, 10V	1	
	C9861	FIG1H104A129	C 0.1UF, 25V	1	
	C9862	FIG1H104A129	C 0.1UF, 25V	1	
	C9863	FIG1A475A039	C 4.7UF, K, 10V	1	
	C9864	FIG1H104A129	C 0.1UF, 25V	1	
	C9865	ECGR10G680ER	C 68PF, J, 4V	1	
	C9866	ECGR10G680ER	C 68PF, J, 4V	1	
	C9867	ECJ3YB1E106M	C 10 UF, K, 25V	1	
	C9868	ECJ3YB1E106M	C 10 UF, K, 25V	1	
	C9869	ECJ3YB1E106M	C 10 UF, K, 25V	1	
	C9870	ECJ3YB1E106M	C 10 UF, K, 25V	1	
	C9871	ECJ3YB1E106M	C 10 UF, K, 25V	1	
	C9872	ECJ3YB1E106M	C 10 UF, K, 25V	1	
	C9873	ECGR10G680ER	C 68PF, J, 4V	1	
	C9874	FIG1H680A731	C 68UF, 50V	1	
	C9877	FIG1H680A731	C 68UF, 50V	1	
	C9878	FIG1E103A123	C 0.010UF, K, 16V	1	
	C9879	FIG1C153A116	C 0.015UF, K, 16V	1	
	C9880	FIG1A563A032	C 0.56UF, 10V	1	
	C9881	FIG1E103A123	C 0.010UF, K, 16V	1	
	C9882	FIG1E822A086	C 8200UF, Z, 25V	1	
	C9883	FIG1H101A731	C 100PF, K, 50V	1	
	C9884	FIG1H102A730	C 1000UF, 50V	1	
	C9885	FIG1H102A730	C 1000UF, 50V	1	
	C9886	FIG1H104A129	C 0.1UF, 25V	1	
	C9887	FIG1H104A129	C 0.1UF, 25V	1	
	C9888	FIG1H361A565	C 360UF, 50V	1	
	C9900	FIG1C104A116	C 0.10UF, K, 16V	1	
	C9901	FIG1C104A116	C 0.10UF, K, 16V	1	
	C9902	FIG1C104A116	C 0.10UF, K, 16V	1	
	C9903	FIG1C104A116	C 0.10UF, K, 16V	1	
	C9904	FIG1C104A116	C 0.10UF, K, 16V	1	
	C9905	FIG1C104A116	C 0.10UF, K, 16V	1	
	C9906	FIG1C104A116	C 0.10UF, K, 16V	1	
	C9907	FIG1C104A116	C 0.10UF, K, 16V	1	
	C9908	FIG1C104A116	C 0.10UF, K, 16V	1	
	C9909	FIG1C104A116	C 0.10UF, K, 16V	1	
	C9910	FIG1C104A116	C 0.10UF, K, 16V	1	
	C9911	FIG1C104A116	C 0.10UF, K, 16V	1	
	C9912	FIG1C104A116	C 0.10UF, K, 16V	1	
	C9913	FIG1C104A116	C 0.10UF, K, 16V	1	

Safety	Ref. No.	Part No.	Part Name & Description	Pcs	Remarks
	C9914	F1G1C104A116	C 0.10UF, K, 16V	1	
	C9915	F1G1C104A116	C 0.10UF, K, 16V	1	
	C9916	F1G1C104A116	C 0.10UF, K, 16V	1	
	C9917	F1G1C104A116	C 0.10UF, K, 16V	1	
	C9918	F1G1C104A116	C 0.10UF, K, 16V	1	
	C9919	F1G1C104A116	C 0.10UF, K, 16V	1	
	C9920	F1G1C104A116	C 0.10UF, K, 16V	1	
	C9921	F1G1C104A116	C 0.10UF, K, 16V	1	
	C9922	F1G1C104A116	C 0.10UF, K, 16V	1	
	C9923	F1G1C104A116	C 0.10UF, K, 16V	1	
	C9924	F1G1C104A116	C 0.10UF, K, 16V	1	
	C9925	F1G1C104A116	C 0.10UF, K, 16V	1	
	C9927	F1G1C104A116	C 0.10UF, K, 16V	1	
	C9928	F1G1C104A116	C 0.10UF, K, 16V	1	
	C9929	F1G1C104A116	C 0.10UF, K, 16V	1	
	C9930	F1G1C104A116	C 0.10UF, K, 16V	1	
	C9931	F1G1C104A116	C 0.10UF, K, 16V	1	
	C9932	F1G1C104A116	C 0.10UF, K, 16V	1	
	C9933	F1G1C104A116	C 0.10UF, K, 16V	1	
	C9934	F1G1C104A116	C 0.10UF, K, 16V	1	
	C9935	F1G1C104A116	C 0.10UF, K, 16V	1	
	C9936	F1G1C104A116	C 0.10UF, K, 16V	1	
	C9937	F1G1C104A116	C 0.10UF, K, 16V	1	
	C9938	F1G1C104A116	C 0.10UF, K, 16V	1	
	C9939	F1G1C104A116	C 0.10UF, K, 16V	1	
	C9940	F1G1C104A116	C 0.10UF, K, 16V	1	
	C9941	F1G1C104A116	C 0.10UF, K, 16V	1	
	C9942	F1G1C104A116	C 0.10UF, K, 16V	1	
	C9943	F1G1C104A116	C 0.10UF, K, 16V	1	
	C9944	F1G1C104A116	C 0.10UF, K, 16V	1	
	C9945	F1G1C104A116	C 0.10UF, K, 16V	1	
	C9946	F1G1C104A116	C 0.10UF, K, 16V	1	
	C9947	F1G1C104A116	C 0.10UF, K, 16V	1	
	C9948	F1G1C104A116	C 0.10UF, K, 16V	1	
	C9949	F1G1C104A116	C 0.10UF, K, 16V	1	
	C9950	F1G1C104A116	C 0.10UF, K, 16V	1	
	C9951	F1G1C104A116	C 0.10UF, K, 16V	1	
	C9952	F1G1C104A116	C 0.10UF, K, 16V	1	
	C9953	F1G1C104A116	C 0.10UF, K, 16V	1	
	C9954	F1G1C104A116	C 0.10UF, K, 16V	1	
	C9955	F1G1C104A116	C 0.10UF, K, 16V	1	
	C9956	F1G1C104A116	C 0.10UF, K, 16V	1	
	C9957	F1G1C104A116	C 0.10UF, K, 16V	1	
	C9958	F1G1C104A116	C 0.10UF, K, 16V	1	
	C9959	F1G1C104A116	C 0.10UF, K, 16V	1	
	C9961	F1J1A106A043	C 0.010UF, K, 10V	1	
	C9962	F1J1A106A043	C 0.010UF, K, 10V	1	
	C9965	F1G1C104A116	C 0.10UF, K, 16V	1	
	C9966	F1J1A106A043	C 0.010UF, K, 10V	1	
	C9967	F1G1C104A116	C 0.10UF, K, 16V	1	
	C9968	F1G1C104A116	C 0.10UF, K, 16V	1	
	C9970	F1G1C104A116	C 0.10UF, K, 16V	1	
	C9971	F1G1H180A731	C 18UF, 50V	1	
	C9972	F1G1H150A731	C 15UF, 50V	1	
	C9973	F1G1C104A116	C 0.10UF, K, 16V	1	
	C9974	F1G1C104A116	C 0.10UF, K, 16V	1	
	C9975	F1G1C104A116	C 0.10UF, K, 16V	1	
	C9976	F1G1C104A116	C 0.10UF, K, 16V	1	
	C9977	F1G1C104A116	C 0.10UF, K, 16V	1	
	C9978	F1G1C104A116	C 0.10UF, K, 16V	1	
	C9979	F1G1C104A116	C 0.10UF, K, 16V	1	
	C9980	F1G1C104A116	C 0.10UF, K, 16V	1	
	C14901	F1J1H102A834	C 1000UF, 50V	1	
	C14902	F1J1C1050030	C 1UF, Z, 16V	1	
	C14904	F1J1C1050030	C 1UF, Z, 16V	1	
	C14906	F1J1C1050030	C 1UF, Z, 16V	1	
	C14908	F1J1C1050030	C 1UF, Z, 16V	1	
	C14909	F1L2J1020001	C 1000UF, K, 6.3V	1	
	C14910	F1J1C1050030	C 1UF, Z, 16V	1	
	C14912	F1J1C1050030	C 1UF, Z, 16V	1	
	C14923	F1L2E104A028	E 1000UF, 25V	1	

Safety	Ref. No.	Part No.	Part Name & Description	Pcs	Remarks
	C14924	F1L2E104A028	E 1000UF, 25V	1	
	C14926	F1J1H104A835	C 0.10UF, 50V	1	
	C14931	F1J1H102A834	C 1000UF, 50V	1	
	C14932	F1L2E104A028	E 1000UF, 25V	1	
	C14933	F1L2E104A028	E 1000UF, 25V	1	
	C14934	F1L2E104A028	E 1000UF, 25V	1	
	C14935	F1L2E104A028	E 1000UF, 25V	1	
	C14936	F1J1H221A709	C 220UF, 50V	1	
	C14937	F1J1H221A709	C 220UF, 50V	1	
	C14938	F1J1H221A709	C 220UF, 50V	1	
	C14939	F1J1H221A709	C 220UF, 50V	1	
	C14940	F1J1H102A834	C 1000UF, 50V	1	
	C14941	F1J1H221A709	C 220UF, 50V	1	
	C14942	F1J1H221A709	C 220UF, 50V	1	
	C14943	F1L1E4750012	C 4.7UF, 25V	1	
	C14950	F1J1H221A709	C 220UF, 50V	1	
	C14952	F1J1C1050030	C 1UF, Z, 16V	1	
	C14955	F1J1C1050030	C 1UF, Z, 16V	1	
	C14957	F1J1C1050030	C 1UF, Z, 16V	1	
	C14958	F1J1C1050030	C 1UF, Z, 16V	1	
	C14959	F1L2J1020001	C 1000UF, K, 6.3V	1	
	C14961	F1J1C1050030	C 1UF, Z, 16V	1	
	C14963	F1J1C1050030	C 1UF, Z, 16V	1	
	C14969	F1J1H104A835	C 0.10UF, 50V	1	
	C14970	F1J1H221A709	C 220UF, 50V	1	
	C14971	F1J1H221A709	C 220UF, 50V	1	
	C14972	F1J1H221A709	C 220UF, 50V	1	
	C14973	F1J1H102A834	C 1000UF, 50V	1	
	C14974	F1L2E104A028	E 1000UF, 25V	1	
	C14975	F1L2E104A028	E 1000UF, 25V	1	
	C14976	F1J1H102A834	C 1000UF, 50V	1	
	C14977	F1L2E104A028	E 1000UF, 25V	1	
	C14978	F1L2E104A028	E 1000UF, 25V	1	
	C14981	F1J1H221A709	C 220UF, 50V	1	
	C14984	F1L2E104A028	E 1000UF, 25V	1	
	C14985	F1L2E104A028	E 1000UF, 25V	1	
	C14986	F1J1H101A836	C 100PF, K, 50V	1	
	C14987	F1J1H104A835	C 0.10UF, 50V	1	
	C14988	F1J1H104A835	C 0.10UF, 50V	1	
	C14989	F1J1H221A709	C 220UF, 50V	1	
	C14991	F1H1H100A971	C 10PF, K, 50V	1	
	C14992	F1H1C105A008	C 1UF, K, 16V	1	
	C14993	F1H1C105A008	C 1UF, K, 16V	1	
	C16001	F1L2J562A022	C 5600UF, K, 6.3V	1	
	C16011	F2A2T251A004	E 250UF, 220V	1	
	C16012	F2A2T251A004	E 250UF, 220V	1	
	C16013	F2A2T251A004	E 250UF, 220V	1	
	C16018	F0C2E225A230	E 0.022UF, 250V	1	
	C16021	F1L2J562A022	C 5600UF, K, 6.3V	1	
	C16041	F1H1H392A970	C 3900PF, K, 50V	1	
	C16071	F1L2J1020001	C 1000UF, K, 6.3V	1	
	C16092	F1L2J1020001	C 1000UF, K, 6.3V	1	
	C16131	F1L1E4750004	C 4.7UF, 25V	1	
	C16133	F1L1E4750004	C 4.7UF, 25V	1	
	C16135	F1K1E105A029	C 1UF, Z, 25V	1	
	C16151	F1K1E105A029	C 1UF, Z, 25V	1	
	C16152	F1L1E4750004	C 4.7UF, 25V	1	
	C16153	F1L1E4750004	C 4.7UF, 25V	1	
	C16154	F1L1E4750004	C 4.7UF, 25V	1	
	C16191	F1L1E4750004	C 4.7UF, 25V	1	
	C16192	ECJ1V1E104K	C 0.10UF, K, 25V	1	
	C16194	F1L1E4750004	C 4.7UF, 25V	1	
	C16195	F1L1E4750004	C 4.7UF, 25V	1	
	C16197	F1L1E4750004	C 4.7UF, 25V	1	
	C16201	F0C2E405A232	E 0.040UF, 250V	1	
	C16202	F0C2E405A232	E 0.040UF, 250V	1	
	C16241	F2A1A101A106	E 100UF, 10V	1	
	C16242	F1H1C105A008	C 1UF, K, 16V	1	
	C16243	F1H1H103A970	C 0.001UF, K, 50V	1	
	C16251	F1H1C105A008	C 1UF, K, 16V	1	
	C16252	F1K1E105A029	C 1UF, Z, 25V	1	
	C16261	F2A2A471A400	E 470UF, 100V	1	

Safety	Ref. No.	Part No.	Part Name & Description	Pcs	Remarks
	C16272	F2A1E471A487	E 470UF, 25V	1	
	C16280	FK1E105A029	C 1UF, Z, 25V	1	
	C16284	ECJ1VB1H104K	C 0.1UF, K, 50V	1	
	C16285	ECJ1VB1H104K	C 0.1UF, K, 50V	1	
	C16301	F2A1E470A454	E 47UF, 25V	1	
	C16302	FIH1H471A219	C 470UF, 50V	1	
	C16303	ECJ1XB1C103K	C 0.010UF, K, 16V	1	
	C16311	FIH1A1050032	C 10UF, 50V	1	
	C16312	FIH1H472A970	C 4700PF, K, 50V	1	
	C16313	FIH1C105A008	C 1UF, K, 16V	1	
	C16321	FIL2E224A028	E 2200UF, 25V	1	
	C16322	FIL2E224A028	E 2200UF, 25V	1	
	C16323	F2A1E470A454	E 47UF, 25V	1	
	C16324	F2A1E471A487	E 470UF, 25V	1	
	C16326	FIL1E4750004	C 4.7UF, 25V	1	
	C16328	F2A2D201A226	E 220UF, 200V	1	
	C16401	FIL2J562A022	C 5600UF, K,6.3V	1	
	C16411	F2A2T251A004	E 250UF, 220V	1	
	C16412	F2A2T251A004	E 250UF, 220V	1	
	C16413	F2A2T251A004	E 250UF, 220V	1	
	C16419	FOC2E225A230	E 0.022UF, 250V	1	
	C16421	FIL2J562A022	C 5600UF, K,6.3V	1	
	C16441	FIH1H392A970	C 3900PF, K, 50V	1	
	C16462	FI2E2J152A002	C 1500PF, 600V	1	
	C16471	FIL2J1020001	C 1000UF, K,6.3V	1	
	C16472	FK1E105A029	C 1UF, Z, 25V	1	
	C16491	FIL2J1020001	C 1000UF, K,6.3V	1	
	C16501	FK1E105A029	C 1UF, Z, 25V	1	
	C16502	FIL1E4750004	C 4.7UF, 25V	1	
	C16503	F2A1E471A487	E 470UF, 25V	1	
	C16504	FIL1E4750004	C 4.7UF, 25V	1	
	C16505	FK1E105A029	C 1UF, Z, 25V	1	
	C16521	FK1E105A029	C 1UF, Z, 25V	1	
	C16522	FIL1E4750004	C 4.7UF, 25V	1	
	C16523	F2A1E471A487	E 470UF, 25V	1	
	C16524	FIL1E4750004	C 4.7UF, 25V	1	
	C16525	FIL1E4750004	C 4.7UF, 25V	1	
	C16533	ECJ1VB1H104K	C 0.1UF, K, 50V	1	
	C16535	ECJ1VB1H104K	C 0.1UF, K, 50V	1	
	C16536	ECJ1VB1H104K	C 0.1UF, K, 50V	1	
	C16562	FIH1C105A008	C 1UF, K, 16V	1	
	C16563	F2A1A101A106	E 100UF, 10V	1	
	C16565	FIH1H103A970	C 0.001UF, K, 50V	1	
	C16566	FIH1H103A970	C 0.001UF, K, 50V	1	
	C16581	FK1E105A029	C 1UF, Z, 25V	1	
	C16582	FIH1C105A008	C 1UF, K, 16V	1	
	C16593	FIH1H102A971	C 1000PF, K, 50V	1	
	C16602	FIH1H220A971	C 22PF, K, 50V	1	
	C16603	FK2J102A014	C 1000UF, K,6.3V	1	
	C16604	FK2J102A014	C 1000UF, K,6.3V	1	
	C16605	FIH1H220A971	C 22PF, K, 50V	1	
	C16606	FIH1H220A971	C 22PF, K, 50V	1	
	C16608	FIH1H221A971	C 220UF, K, 50V	1	
	C16631	FOC2E405A232	E 0.040UF, 250V	1	
	C16632	FOC2E405A232	E 0.040UF, 250V	1	
	C16641	FIL2E153A029	E 0.015UF, 25V	1	
	C16642	FIL2E153A029	E 0.015UF, 25V	1	
	C16661	FK2J102A014	C 1000UF, K,6.3V	1	
	C16662	FK2J102A014	C 1000UF, K,6.3V	1	
	C16664	FIH1H680A971	C 68PF, K, 50V	1	
	C16665	FIH1H680A971	C 68PF, K, 50V	1	
	C16666	FIH1H680A971	C 68PF, K, 50V	1	
	C16684	ECJ1VB1H104K	C 0.1UF, K, 50V	1	
	C16685	ECJ1VB1H104K	C 0.1UF, K, 50V	1	
	C16691	F2A2C101A169	E 1000UF, 160V	1	
	C16707	FIH1H220A971	C 22PF, K, 50V	1	
	C16708	ECJ1VB1H104K	C 0.1UF, K, 50V	1	
	C16721	F2A1H101A493	E 100UF, 50V	1	
	C16723	FIL1E4750004	C 4.7UF, 25V	1	
	C16724	FIL1E4750004	C 4.7UF, 25V	1	
	C16725	FIL1E4750004	C 4.7UF, 25V	1	

Safety	Ref. No.	Part No.	Part Name & Description	Pcs	Remarks
	C16753	FIL1E4750004	C 4.7UF, 25V	1	
	C16755	FIL1E4750004	C 4.7UF, 25V	1	
	C16756	FIL1E4750004	C 4.7UF, 25V	1	
	C16771	FIH1C105A008	C 1UF, K, 16V	1	
	C16772	FIL1E4750004	C 4.7UF, 25V	1	
	C16773	FIL1E4750004	C 4.7UF, 25V	1	
	C16775	FIL1E4750004	C 4.7UF, 25V	1	
	C16791	F2A1E221A487	E 220UF, 25V	1	
	C16795	F2A1E471A487	E 470UF, 25V	1	
	C16796	F2A1E471A487	E 470UF, 25V	1	
	C16806	F2A2C101A169	E 1000UF, 160V	1	
	C16812	FIL1E4750004	C 4.7UF, 25V	1	
	C16813	F2A2C101A169	E 1000UF, 160V	1	
	C16821	ECJ1VB1H104K	C 0.1UF, K, 50V	1	
	C16822	F2A2G470A187	E 470UF, 400V	1	
	C16823	FIL2J562A022	C 5600UF, K,6.3V	1	
	C16832	FIH1H392A970	C 3900PF, K, 50V	1	
	C16842	F2A2C101A169	E 1000UF, 160V	1	
	C16843	ECJ1VB1H104K	C 0.1UF, K, 50V	1	
	C16844	ECJ1VB1H104K	C 0.1UF, K, 50V	1	
	C16855	FIH1C105A008	C 1UF, K, 16V	1	
	C16856	FIH1A1050032	C 10UF, 50V	1	
	C16857	FIH1H472A970	C 4700PF, K, 50V	1	
	C16858	FIH1C104A143	C 0.1UF, K, 16V	1	
	C16860	FIH1A1050032	C 10UF, 50V	1	
	C16861	FIH1H472A970	C 4700PF, K, 50V	1	
	C16862	FIH1C104A143	C 0.1UF, K, 16V	1	
	C16863	FIH1H103A970	C 0.001UF, K, 50V	1	
	C16864	ECJ1VB1H104K	C 0.1UF, K, 50V	1	
	C16866	FIH1A1050032	C 10UF, 50V	1	
	C16867	FIH1H472A970	C 4700PF, K, 50V	1	
	C16868	FIH1C104A143	C 0.1UF, K, 16V	1	
	C16869	ECJ1VB1H104K	C 0.1UF, K, 50V	1	
	C17122	FIH1A1050032	C 10UF, 50V	1	
	C17123	FIL2E154A028	E 1500UF, 25V	1	
	C17124	FIL2E154A028	E 1500UF, 25V	1	
	C17127	FIH1H101A971	C 100UF, 50V	1	
	C17130	FIH1C104A143	C 0.1UF, K, 16V	1	
	C17132	FIH1A1050032	C 10UF, 50V	1	
	C17133	FIL2E154A028	E 1500UF, 25V	1	
	C17134	FIL2E154A028	E 1500UF, 25V	1	
	C17142	FIH1A1050032	C 10UF, 50V	1	
	C17143	FIL2E154A028	E 1500UF, 25V	1	
	C17144	FIL2E154A028	E 1500UF, 25V	1	
	C17148	FIH1C104A143	C 0.1UF, K, 16V	1	
	C17151	FIH1A1050032	C 10UF, 50V	1	
	C17153	FIL2E154A028	E 1500UF, 25V	1	
	C17154	FIL2E154A028	E 1500UF, 25V	1	
	C17212	FIL2E154A028	E 1500UF, 25V	1	
	C17213	FIL2E154A028	E 1500UF, 25V	1	
	C17215	FIL2E154A028	E 1500UF, 25V	1	
	C17219	FIH1A1050032	C 10UF, 50V	1	
	C17222	FIH1A1050032	C 10UF, 50V	1	
	C17223	FIL2E154A028	E 1500UF, 25V	1	
	C17224	FIL2E154A028	E 1500UF, 25V	1	
	C17229	FIH1C104A143	C 0.1UF, K, 16V	1	
	C17230	FK2A105A006	C 1UF, 100V	1	
	C17232	FIH1A1050032	C 10UF, 50V	1	
	C17233	FIL2E154A028	E 1500UF, 25V	1	
	C17234	FIL2E154A028	E 1500UF, 25V	1	
	C17237	FIH1H101A971	C 100UF, 50V	1	
	C17240	FIH1A1050032	C 10UF, 50V	1	
	C17241	FIL2E154A028	E 1500UF, 25V	1	
	C17244	FIH1C104A143	C 0.1UF, K, 16V	1	
	C17245	FIH1C104A143	C 0.1UF, K, 16V	1	
	C17267	FIH1H101A971	C 100UF, 50V	1	
	CB1	K1MN68BA0052	68P CONNECTOR	1	
	CB2	K1MN68BA0052	68P CONNECTOR	1	
	CB3	K1MN68BA0052	68P CONNECTOR	1	
	CB4	K1MN68BA0052	68P CONNECTOR	1	
	CB5	K1MN68BA0052	68P CONNECTOR	1	

Safety	Ref. No.	Part No.	Part Name & Description	Pcs	Remarks
	CB6	K1MN68BA0052	68P CONNECTOR	1	
	CB7	K1MN68BA0052	68P CONNECTOR	1	
	CB8	K1MN68BA0052	68P CONNECTOR	1	
	D1000	MA3X704A0L	ZENER DIODE	1	
	D1001	MA3X704A0L	ZENER DIODE	1	
	D1107	MA3X704A0L	ZENER DIODE	1	
	D1112	MA2J72800L	ZENER DIODE	1	
	D2004	MA2J11100L	DIODE	1	
	D2005	MA2J11100L	DIODE	1	
	D2006	MA2J11100L	DIODE	1	
	D2007	MA2J11100L	DIODE	1	
	D2009	MA2J11100L	DIODE	1	
	D2010	MA2J11100L	DIODE	1	
	D2013	MA2J11100L	DIODE	1	
	D2014	MA2J11100L	DIODE	1	
	D2017	MA2J11100L	DIODE	1	
	D2020	MA3X78900L	ZENER DIODE	1	
	D2021	MAZ83600ML	ZENER DIODE	1	
	D2024	B0BC03900015	ZENER DIODE	1	
	D2201	MA3X704A0L	ZENER DIODE	1	
	D2301	B0HCMM000014	DIODE	1	
	D2302	B0HCMM000014	DIODE	1	
	D2512	MAZ80560ML	ZENER DIODE	1	
	D2520	LNJ107W5PRW	LED	1	
	D2524	MAZ80560ML	ZENER DIODE	1	
	D2526	MAZ80560ML	ZENER DIODE	1	
	D2530	MAZ80560ML	ZENER DIODE	1	
	D3013	MAZ81400ML	ZENER DIODE	1	
	D3014	MAZ81400ML	ZENER DIODE	1	
	D3015	K7AAAY000003	PHOTO LINK	1	
	D3701	MAZ81400ML	ZENER DIODE	1	
	D3702	MAZ81400ML	ZENER DIODE	1	
	D3709	MAZ81400ML	ZENER DIODE	1	
	D3710	MAZ81400ML	ZENER DIODE	1	
	D3711	MAZ81400ML	ZENER DIODE	1	
	D4502	EZAEG2A50AX	DIODE	1	
	D4503	EZAEG2A50AX	DIODE	1	
	D4504	EZAEG2A50AX	DIODE	1	
	D4505	EZAEG2A50AX	DIODE	1	
	D4506	EZAEG2A50AX	DIODE	1	
	D4507	EZAEG2A50AX	DIODE	1	
	D4508	EZAEG2A50AX	DIODE	1	
	D4509	EZAEG2A50AX	DIODE	1	
	D4510	EZAEG2A50AX	DIODE	1	
	D4511	EZAEG2A50AX	DIODE	1	
	D4512	EZAEG2A50AX	DIODE	1	
	D4513	B0BC5R6A0275	DIODE	1	
	D4514	EZAEG2A50AX	DIODE	1	
	D4515	B0BC5R6A0275	DIODE	1	
	D4516	EZAEG2A50AX	DIODE	1	
	D4517	EZAEG2A50AX	DIODE	1	
	D4518	EZAEG2A50AX	DIODE	1	
	D4519	EZAEG2A50AX	DIODE	1	
	D4520	EZAEG2A50AX	DIODE	1	
	D4521	EZAEG2A50AX	DIODE	1	
	D4522	EZAEG2A50AX	DIODE	1	
	D4523	EZAEG2A50AX	DIODE	1	
	D4541	MA2J11100L	DIODE	1	
	D4542	MA2J11100L	DIODE	1	
	D4551	MA2J11100L	DIODE	1	
	D4552	MA2J11100L	DIODE	1	
	D4560	MA2J11100L	DIODE	1	
	D4564	B0BC5R6A0275	DIODE	1	
	D4565	EZAEG2A50AX	DIODE	1	
	D4566	EZAEG2A50AX	DIODE	1	
	D4567	EZAEG2A50AX	DIODE	1	
	D4568	EZAEG2A50AX	DIODE	1	
	D4569	EZAEG2A50AX	DIODE	1	
	D4570	EZAEG2A50AX	DIODE	1	
	D4571	EZAEG2A50AX	DIODE	1	
	D4572	EZAEG2A50AX	DIODE	1	
	D4573	EZAEG2A50AX	DIODE	1	

Safety	Ref. No.	Part No.	Part Name & Description	Pcs	Remarks
	D4574	EZAEG2A50AX	DIODE	1	
	D4575	MA2J11100L	DIODE	1	
	D4576	B0HCMM000014	DIODE	1	
	D5400	B0JCME000037	DIODE	1	
	D5401	B0BC4R700007	ZENER DIODE	1	
	D5402	B0BC4R700007	ZENER DIODE	1	
	D5403	B0JCME000037	DIODE	1	
	D5404	B0BC4R700007	ZENER DIODE	1	
	D5405	B0BC4R700007	ZENER DIODE	1	
	D5521	MA3X152D0L	DIODE	1	
	D5522	MA3X152D0L	DIODE	1	
	D5571	B0BC6R600005	ZENER DIODE	1	
	D5573	B0BC01100001	ZENER DIODE	1	
	D5600	B0BC4R000002	ZENER DIODE	1	
	D5601	MA22D3900L	DIODE	1	
	D5602	MA22D3900L	DIODE	1	
	D5603	B0JCDD000002	DIODE	1	
	D5604	B0JCDD000002	DIODE	1	
	D5605	MA22D3900L	DIODE	1	
	D5606	B0JCDD000002	DIODE	1	
	D5607	B0BC4R000002	ZENER DIODE	1	
	D5608	B0BC4R000002	ZENER DIODE	1	
	D5612	MAZ80560LL	ZENER DIODE	1	
	D9017	B0BC3R3A0273	ZENER DIODE	1	
	D9018	B0BC3R3A0273	ZENER DIODE	1	
	D9019	B0BC3R3A0273	ZENER DIODE	1	
	D9021	B0JCCE000008	DIODE	1	
	D9807	B0JCCE000008	DIODE	1	
	D9808	B0JCCE000008	DIODE	1	
	D9812	MA22D3900L	DIODE	1	
	D9813	B0JCGD000002	DIODE	1	
	D9814	B0JCGD000002	DIODE	1	
	D9815	B0JCGD000002	DIODE	1	
	D9816	MA22D3900L	DIODE	1	
	D9817	MA22D3900L	DIODE	1	
	D14904	B0HCMM000013	DIODE	1	
	D14905	B0HCMM000013	DIODE	1	
	D14908	B0HCMM000013	DIODE	1	
	D14909	MA3X152E0L	ZENER DIODE	1	
	D14910	MA2J11100L	DIODE	1	
	D14953	B0HCMM000013	DIODE	1	
	D14956	B0HCMM000013	DIODE	1	
	D14958	B0HCMM000013	DIODE	1	
	D14959	MA2J11100L	DIODE	1	
	D14960	MA2J11100L	DIODE	1	
	D14961	MA8056H	ZENER DIODE	1	
	D14962	MA2J11100L	DIODE	1	
	D14971	MA2J11100L	DIODE	1	
	D14974	MA3X152E0L	ZENER DIODE	1	
	D14975	MA2J11100L	DIODE	1	
	D14976	MA2J11100L	DIODE	1	
	D16001	B0FBCN000005	DIODE	1	
	D16021	MA3DF30000LW	ZENER DIODE	1	
	D16032	MA2J11100L	DIODE	1	
	D16040	B0ECKP000047	DIODE	1	
	D16041	MA3DF46000LW	ZENER DIODE	1	
	D16050	B0ECKP000047	DIODE	1	
	D16051	B0FBCN000005	DIODE	1	
	D16101	MA22D3900L	DIODE	1	
	D16131	B0ECKP000047	DIODE	1	
	D16151	B0ECKP000047	DIODE	1	
	D16152	B0ECKP000047	DIODE	1	
	D16153	B0ECKP000047	DIODE	1	
	D16191	B0ECKP000047	DIODE	1	
	D16192	MA2J11100L	DIODE	1	
	D16253	B3ABB0000210	LED	1	
	D16255	MA2J11100L	DIODE	1	
	D16280	MA2J11100L	DIODE	1	
	D16281	MAZ80510LL	ZENER DIODE	1	
	D16282	MAZ80680ML	ZENER DIODE	1	
	D16284	MA3X152D0L	DIODE	1	
	D16300	B0ECKP000047	DIODE	1	
	D16301	MA3X152E0L	ZENER DIODE	1	

Safety	Ref. No.	Part No.	Part Name & Description	Pcs	Remarks
	D16302	MA2J11100L	DIODE	1	
	D16304	MAZ80510LL	ZENER DIODE	1	
	D16311	MAZ81500ML	ZENER DIODE	1	
	D16313	BOECKP000047	DIODE	1	
	D16321	BOECKP000047	DIODE	1	
	D16323	MAZ80330HL	ZENER DIODE	1	
	D16324	MA3X152D0L	DIODE	1	
	D16401	BOFACQ000001	DIODE	1	
	D16402	BOFACQ000001	DIODE	1	
	D16407	MA22D3900L	DIODE	1	
	D16411	MA2J11100L	DIODE	1	
	D16421	MA3DF40000LW	ZENER DIODE	1	
	D16441	BOECKP000047	DIODE	1	
	D16451	BOECKP000047	DIODE	1	
	D16461	MA3DF46000LW	ZENER DIODE	1	
	D16466	MA2J11100L	DIODE	1	
	D16473	MA3X152D0L	DIODE	1	
	D16474	MA2J11100L	DIODE	1	
	D16475	MAZ80510LL	ZENER DIODE	1	
	D16476	MA2J11100L	DIODE	1	
	D16478	BOHCKS000002	DIODE	1	
	D16480	MA2J11100L	DIODE	1	
	D16481	MA3DF46000RP	ZENER DIODE	1	
	D16497	BOECKP000047	DIODE	1	
	D16503	BOHCKS000002	DIODE	1	
	D16522	BOECKP000047	DIODE	1	
	D16523	BOECKP000047	DIODE	1	
	D16524	BOECKP000047	DIODE	1	
	D16534	BOECKP000047	DIODE	1	
	D16535	BOECKP000047	DIODE	1	
	D16536	BOHCKS000002	DIODE	1	
	D16583	B3ABB0000210	LED	1	
	D16602	MA8120M	ZENER DIODE	1	
	D16604	MA2J11100L	DIODE	1	
	D16605	MAZ80510LL	ZENER DIODE	1	
	D16606	BOECKM000038	DIODE	1	
	D16607	MA2J11100L	DIODE	1	
	D16608	MA8120M	ZENER DIODE	1	
	D16609	MA2J11100L	DIODE	1	
	D16610	MA2J11100L	DIODE	1	
	D16618	BOECKP000047	DIODE	1	
	D16619	BOECKP000047	DIODE	1	
	D16631	MAZ82400ML	DIODE	1	
	D16632	MAZ82400ML	DIODE	1	
	D16641	BOFBCN000006	DIODE	1	
	D16642	BOFBCN000006	DIODE	1	
	D16660	BOHCM000014	DIODE	1	
	D16661	MA2J11100L	DIODE	1	
	D16662	MA8330M	ZENER DIODE	1	
	D16663	MA8330M	ZENER DIODE	1	
	D16664	MA8330M	ZENER DIODE	1	
	D16665	MAZ80510LL	ZENER DIODE	1	
	D16667	MA2J11100L	DIODE	1	
	D16668	MA3X152D0L	DIODE	1	
	D16669	MA2J11100L	DIODE	1	
	D16670	BOHCMR000002	DIODE	1	
	D16671	MA2J11100L	DIODE	1	
	D16672	BOHCMR000002	DIODE	1	
	D16702	MA2J11100L	DIODE	1	
	D16710	MAZ815000L	ZENER DIODE	1	
	D16711	BOHCMR000002	DIODE	1	
	D16712	MAZ815000L	ZENER DIODE	1	
	D16713	BOHCMR000002	DIODE	1	
	D16714	MAZ815000L	ZENER DIODE	1	
	D16715	BOHCMR000002	DIODE	1	
	D16717	MA8330M	ZENER DIODE	1	
	D16718	MA2J11100L	DIODE	1	
	D16719	BOECKP000047	DIODE	1	
	D16720	BOECKP000047	DIODE	1	
	D16721	BOHCKS000002	DIODE	1	
	D16722	MA2J11100L	DIODE	1	
	D16725	MA2J11100L	DIODE	1	
	D16761	MA22D3900L	DIODE	1	

Safety	Ref. No.	Part No.	Part Name & Description	Pcs	Remarks
	D16764	BOHCKS000002	DIODE	1	
	D16765	BOECKP000047	DIODE	1	
	D16781	MA2J11100L	DIODE	1	
	D16791	MAZ82000ML	ZENER DIODE	1	
	D16816	MAZ80680HL	ZENER DIODE	1	
	D16817	MAZ80680HL	ZENER DIODE	1	
	D16820	MA3X152E0L	ZENER DIODE	1	
	D16821	MAZ82000ML	ZENER DIODE	1	
	D16822	MA2J11100L	DIODE	1	
	D16824	MA8330M	ZENER DIODE	1	
	D16825	MA8330M	ZENER DIODE	1	
	D16830	MA8056H	ZENER DIODE	1	
	D16836	MAZ815000L	ZENER DIODE	1	
	D16837	MA2J11100L	DIODE	1	
	D16838	BOBC027A0234	ZENER DIODE	1	
	D16839	BOECKP000047	DIODE	1	
	D16859	BOHCKS000002	DIODE	1	
	D16860	BOHCKS000002	DIODE	1	
	D16861	MA8330M	ZENER DIODE	1	
	D16862	MA8330M	ZENER DIODE	1	
	D16871	MAZ82400ML	DIODE	1	
	D16873	MAZ82000ML	ZENER DIODE	1	
	D16874	MAZ80510LL	ZENER DIODE	1	
	D16875	MA2J11100L	DIODE	1	
	D2525B	LN1471YTR	LED	1	
	FL3001	JOHABB000003	LC FILTER	1	
	FL3002	JOHABB000003	LC FILTER	1	
	FL3003	JOHABB000004	LC FILTER	1	
	FL3004	JOHABB000004	LC FILTER	1	
	FL3005	JOHABB000004	LC FILTER	1	
	FL3011	JOHABB000003	LC FILTER	1	
	FL3012	JOHABB000003	LC FILTER	1	
	FL3013	JOHABB000003	LC FILTER	1	
	FL3014	JOHABB000003	LC FILTER	1	
	FL3710	JOZZA0000091	FILTER	1	
	FL3711	JOZZA0000091	FILTER	1	
	FL3712	JOZZA0000091	FILTER	1	
	FL3713	JOZZA0000091	FILTER	1	
	FL3714	JOZZA0000091	FILTER	1	
	FL5510	FLJ1E104A148	C 0.10UF, Z, 25V	1	
	FL5511	FLJ1E104A148	C 0.10UF, Z, 25V	1	
	FL8801	JOHAAA000013	LC FILTER	1	
	FL8802	JOHAAA000013	LC FILTER	1	
	FL9300	FLJ1E104A148	C 0.10UF, Z, 25V	1	
	FL9301	FLJ1E104A148	C 0.10UF, Z, 25V	1	
	G51	K1KY16BA0192	16P CONNECTOR	1	
	GS52	K1KA12A00317	12P CONNECTOR	1	
	IC1100	MN103SG3FPA1	IC	1	
	IC1101	TVRP929-3	IC	1	PAVCCZ
	IC1102	C0JBAZ002261	IC	1	
	IC2008	C0CBCBE00001	IC	1	
	IC2012	C1BB00000947	IC	1	
	IC2013	C0DBGY00281	IC	1	
	IC2106	C1AB00002909	IC	1	
	IC2107	C0DBFFD00003	IC	1	
	IC2301	C1AB00002875	IC	1	
	IC2403	C1AB00002877	IC	1	
	IC3001	C1AB00002855	IC	1	
	IC4510	C1AB00002966	IC	1	
	IC4511	C0CBCBE00001	IC	1	
	IC4512	C0DBGY00477	IC	1	
	IC4513	C0DBGY00477	IC	1	
	IC4514	C0JBAZ002301	IC	1	
	IC4515	C0JBAZ002301	IC	1	
	IC4518	TVRP941	IC	1	PAVCCZ
	IC4800	C1ZBZ0003775	IC	1	
	IC4811	C0JBAZ002060	IC	1	
	IC5400	C0DBAYY00183	IC	1	
	IC5401	C0DBAYY00183	IC	1	

Safety	Ref. No.	Part No.	Part Name & Description	Pcs	Remarks
	IC5600	C0DBAYY00273	IC	1	
	IC5601	C0DBAYY00274	IC	1	
	IC5660	C0EBM0000026	IC	1	
	IC8001	MN2WS0050	IC	1	PAVCCZ
	IC8002	C3ABS0000036	IC	1	
	IC8003	C3ABS0000036	IC	1	
	IC8004	C0ZBZ0001567	IC	1	
	IC8301	C1AB00002710	IC	1	
	IC8302	C0DBGFD00004	IC	1	
	IC8401	C1AB00002913	IC	1	PAVCCZ
	IC8403	C0ZBZ0001584	IC	1	PAVCCZ
	IC8404	C0JBAZ001120	IC	1	
	IC8405	C0JBAZ001120	IC	1	
	IC8408	C0JBAU000025	IC	1	PAVCCZ
	IC8409	C0JBAU000025	IC	1	PAVCCZ
	IC8554	TVRQ279	IC	1	PAVCCZ
	IC8601	TVRQ227	IC	1	PAVCCZ
	IC9001	TVRQ274	IC	1	
	IC9002	C1ZBZ0003577	IC	1	
	IC9003	MN103SG4GPH3	IC	1	
	IC9011	C0EBF0000431	IC	1	
	IC9013	C0JBAZ002301	IC	1	
	IC9303	TVRQ277	IC	1	
	IC9500	C1ZBZ0003759	IC	1	
	IC9802	C0JBAZ001120	IC	1	
	IC9803	C0JBAZ001120	IC	1	
	IC9805	C0DBAYY00274	IC	1	
	IC9806	C0DBAYY00273	IC	1	
	IC9900	MN84526	IC	1	
	IC9901	C3ABQY000032	IC	1	
	IC14901	AN16082A-VT	IC	1	
	IC14902	AN16082A-VT	IC	1	
	IC14903	AN16082A-VT	IC	1	
	IC14904	AN16082A-VT	IC	1	
	IC14905	AN16082A-VT	IC	1	
	IC14906	AN16082A-VT	IC	1	
	IC14951	AN16082A-VT	IC	1	
	IC14952	AN16082A-VT	IC	1	
	IC14953	AN16082A-VT	IC	1	
	IC14954	AN16082A-VT	IC	1	
	IC14955	AN16082A-VT	IC	1	
	IC14956	AN16082A-VT	IC	1	
	IC14961	C0JBAZ000994	IC	1	
	IC14962	C0JBAZ000994	IC	1	
	IC14963	C0JBAA000377	IC	1	
	IC16131	C0ZBZ0000895	IC	1	
	IC16151	C0ZBZ0001324	IC	1	
	IC16241	C0JBAZ002811	IC	1	
	IC16251	C0BBBA000024	IC	1	
	IC16301	MIP9L02MBS	IC	1	
	IC16302	C0CBALC00012	IC	1	
	IC16303	C0JBAB000715	IC	1	
	IC16464	C0JBAB000715	IC	1	
	IC16465	C0JBAB000715	IC	1	
	IC16471	C0DBEKA00003	IC	1	
	IC16501	C0ZBZ0001324	IC	1	
	IC16521	C0ZBZ0001324	IC	1	
	IC16561	C0JBAZ002811	IC	1	
	IC16562	C0JBAZ002811	IC	1	
	IC16581	C0BBBA000024	IC	1	
	IC16724	C0CBADC00072	IC	1	
	IC16725	C0CBADC00072	IC	1	
	IC16771	C0CBADC00072	IC	1	
	IC16772	C0ZBZ0001325	IC	1	
	IC16773	C0JBAB000715	IC	1	
	IC16784	MIP9L02MBS	IC	1	
	IC16786	MIP9L02MBS	IC	1	
	IC16787	C0DBEY000078	IC	1	
	IC16788	MIP9L02MBS	IC	1	
	IC16789	C0DBEY000078	IC	1	
	IC16791	EHMDD9863	LINER IC	1	
	IC17101	C0JBAZ001120	IC	1	
	IC17102	C0JBAZ001120	IC	1	

Safety	Ref. No.	Part No.	Part Name & Description	Pcs	Remarks
	IC17201	C0JBAZ001120	IC	1	
	IC17202	C0JBAZ001120	IC	1	
	IC17203	C0JBAZ001120	IC	1	
	JA3701	D0GDR00Z0002	M 0 OHM, 1/10W	1	
	JA3702	D0GDR00Z0002	M 0 OHM, 1/10W	1	
	JA3703	D0GDR00Z0002	M 0 OHM, 1/10W	1	
	JA3704	D0GDR00Z0002	M 0 OHM, 1/10W	1	
	JA3705	D0GDR00Z0002	M 0 OHM, 1/10W	1	
	JA3706	D0GDR00Z0002	M 0 OHM, 1/10W	1	
	JA3707	D0GDR00Z0002	M 0 OHM, 1/10W	1	
	JA3751	ERJ8GEY0R00	M 0 OHM, 1/8W	1	
	JA3753	ERJ8GEY0R00	M 0 OHM, 1/8W	1	
	JA3754	ERJ8GEY0R00	M 0 OHM, 1/8W	1	
	JA3755	ERJ8GEY0R00	M 0 OHM, 1/8W	1	
	JA3756	ERJ8GEY0R00	M 0 OHM, 1/8W	1	
	JA3757	ERJ8GEY0R00	M 0 OHM, 1/8W	1	
	JA3758	ERJ8GEY0R00	M 0 OHM, 1/8W	1	
	JA3759	ERJ8GEY0R00	M 0 OHM, 1/8W	1	
	JA3760	ERJ8GEY0R00	M 0 OHM, 1/8W	1	
	JA3761	ERJ8GEY0R00	M 0 OHM, 1/8W	1	
	JK3001	K1FB315A0006	CONNECTOR	1	
	JK3002	K1FY121A0005	CONNECTOR	1	PAVCCZ
	JK3003	K1FY121A0005	CONNECTOR	1	PAVCCZ
	JK3100A	K2HA7YYA0001	JACK	1	PAVCCZ
	JK3701	K4AK18B00007	TERMINAL	1	
	JK4500	K1FY119D0003	CONNECTOR	1	
	JK4501	K1FY119D0003	CONNECTOR	1	
	JK4502	K1FY119D0003	CONNECTOR	1	
	JK7701	K1NA09E00080	9P CONNECTOR	1	
	JK8401	K1NA68B00051	68P CONNECTOR	1	PAVCCZ
	JS2059	D0YAR0000007	M 0 OHM 1/4W	1	
	JS2060	D0YAR0000007	M 0 OHM 1/4W	1	
	JS2061	D0YAR0000007	M 0 OHM 1/4W	1	
	JS2062	D0YAR0000007	M 0 OHM 1/4W	1	
	JS3003	D0YAR0000007	M 0 OHM 1/4W	1	
	JS3704	D0GDR00Z0002	M 0 OHM, 1/10W	1	
	JS3705	D0GDR00Z0002	M 0 OHM, 1/10W	1	
	JS3707	D0GDR00Z0002	M 0 OHM, 1/10W	1	
	JS3708	D0GDR00Z0002	M 0 OHM, 1/10W	1	
	JS3712	D0GDR00Z0002	M 0 OHM, 1/10W	1	
	JS3713	D0GDR00Z0002	M 0 OHM, 1/10W	1	
	JS7701	D0GBR00Z0002	M 0 OHM J 1/16W	1	
	K1	K1KA11B00092	11P CONNECTOR	1	
	L1100	J0JYC0000068	CHIP INDUCTOR	1	
	L2001	G1C150KA0038	INDUCTION COIL	1	
	L2005	J0JCC0000284	CHIP INDUCTOR	1	
	L2006	J0JCC0000284	CHIP INDUCTOR	1	
	L2010	G1C220MA0291	INDUCTION COIL	1	
	L2012	G1C220MA0291	INDUCTION COIL	1	
	L2014	G1C220MA0291	INDUCTION COIL	1	
	L2016	G1C220MA0291	INDUCTION COIL	1	
	L2018	J0JHC0000042	CHIP INDUCTOR	1	
	L2021	G1C470MA0291	INDUCTION COIL	1	
	L2022	G1C100MA0072	INDUCTION COIL	1	
	L2023	G1C3R0ZA0156	INDUCTION COIL	1	
	L2025	J0JCC0000269	CHIP INDUCTOR	1	
	L2026	J0JCC0000269	CHIP INDUCTOR	1	
	L2028	J0JYC0000068	CHIP INDUCTOR	1	
	L2029	J0JCC0000269	CHIP INDUCTOR	1	
	L2030	J0JYC0000068	CHIP INDUCTOR	1	
	L2031	J0JYC0000068	CHIP INDUCTOR	1	
	L2032	J0JYC0000068	CHIP INDUCTOR	1	
	L2300	J0JYC0000068	CHIP INDUCTOR	1	
	L3002	J0JCC0000100	CHIP INDUCTOR	1	
	L3003	J0JCC0000100	CHIP INDUCTOR	1	
	L3004	J0JCC0000100	CHIP INDUCTOR	1	
	L3005	J0JCC0000100	CHIP INDUCTOR	1	
	L3006	J0JCC0000100	CHIP INDUCTOR	1	

Safety	Ref. No.	Part No.	Part Name & Description	Pcs	Remarks
	L3007	J0JCC0000100	CHIP INDUCTOR	1	
	L3008	J0JCC0000100	CHIP INDUCTOR	1	
	L3009	J0JCC0000100	CHIP INDUCTOR	1	
	L3010	J0JCC0000100	CHIP INDUCTOR	1	
	L3011	J0JCC0000100	CHIP INDUCTOR	1	
	L3014	J0JCC0000100	CHIP INDUCTOR	1	
	L3015	J0JCC0000100	CHIP INDUCTOR	1	
	L3017	J0JCC0000100	CHIP INDUCTOR	1	
	L3018	J0JCC0000100	CHIP INDUCTOR	1	
	L3700	J0JCC0000364	CHIP INDUCTOR	1	
	L3701	J0JCC0000364	CHIP INDUCTOR	1	
	L3707	J0JCC0000100	CHIP INDUCTOR	1	
	L3708	J0JCC0000100	CHIP INDUCTOR	1	
	L4502	J0JYC0000068	CHIP INDUCTOR	1	
	L4503	J0JYC0000068	CHIP INDUCTOR	1	
	L4504	J0JYC0000068	CHIP INDUCTOR	1	
	L4505	J0JYC0000068	CHIP INDUCTOR	1	
	L4506	J0JYC0000068	CHIP INDUCTOR	1	
	L4507	J0JYC0000068	CHIP INDUCTOR	1	
	L4511	J0JYC0000068	CHIP INDUCTOR	1	
	L4512	J0JCC0000241	CHIP INDUCTOR	1	
	L4513	J0JCC0000241	CHIP INDUCTOR	1	
	L4514	J0JYC0000068	CHIP INDUCTOR	1	
	L4515	J0JYC0000068	CHIP INDUCTOR	1	
	L4516	J0JYC0000068	CHIP INDUCTOR	1	
	L4517	J0JYC0000068	CHIP INDUCTOR	1	
	L4518	J0JYC0000068	CHIP INDUCTOR	1	
	L4519	J0JYC0000068	CHIP INDUCTOR	1	
	L4521	J0JYC0000068	CHIP INDUCTOR	1	
	L4522	J0JYC0000068	CHIP INDUCTOR	1	
	L4523	J0JYC0000068	CHIP INDUCTOR	1	
	L5401	G1C330M00027	INDUCTION COIL	1	
	L5405	G1C330M00027	INDUCTION COIL	1	
	L5407	J0JYC0000068	CHIP INDUCTOR	1	
	L5600	G1C3R3Z00005	INDUCTION COIL	1	
	L5601	G1C3R3Z00004	INDUCTION COIL	1	PAVCCZ
	L5602	G1C4R7Z00014	INDUCTION COIL	1	
	L5604	G1C100MA0203	INDUCTION COIL	1	
	L5605	J0JHC0000075	CHIP INDUCTOR	1	
	L5606	G1C100MA0077	INDUCTION COIL	1	
	L5690	J0JYC0000068	CHIP INDUCTOR	1	
	L5691	J0JYC0000068	CHIP INDUCTOR	1	
	L7721	J0JCC0000143	CHIP INDUCTOR	1	
	L8001	J0JHC0000045	CHIP INDUCTOR	1	
	L8002	J0JHC0000045	CHIP INDUCTOR	1	
	L8003	J0JHC0000045	CHIP INDUCTOR	1	
	L8004	J0JHC0000045	CHIP INDUCTOR	1	
	L8005	J0JHC0000045	CHIP INDUCTOR	1	
	L8007	J0JHC0000045	CHIP INDUCTOR	1	
	L8008	J0JHC0000045	CHIP INDUCTOR	1	
	L8009	J0JHC0000045	CHIP INDUCTOR	1	
	L8010	J0JHC0000045	CHIP INDUCTOR	1	
	L8301	J0JHC0000045	CHIP INDUCTOR	1	
	L8304	J0JHC0000045	CHIP INDUCTOR	1	
	L8551	J0JHC0000075	CHIP INDUCTOR	1	
	L8801	J0JHC0000045	CHIP INDUCTOR	1	
	L9076	J0JYC0000068	CHIP INDUCTOR	1	
	L9800	G1C2R2Z00007	INDUCTION COIL	1	
	L9801	G1C1R5Z00006	INDUCTION COIL	1	
	L9802	G1C2R2Z00007	INDUCTION COIL	1	
	L9900	J0JHC0000078	CHIP INDUCTOR	1	
	L9901	J0JHC0000078	CHIP INDUCTOR	1	
	L9902	D0GBR00Z0002	M 0 OHM J 1/16W	1	
	L9903	J0JHC0000078	CHIP INDUCTOR	1	
	L16001	G0C2R1KA0190	PEAKING COIL	1	
	L16002	G0C2R1KA0190	PEAKING COIL	1	
	L16003	G0C2R1KA0190	PEAKING COIL	1	
	L16011	G0C2R1KA0190	PEAKING COIL	1	
	L16012	G0C2R1KA0190	PEAKING COIL	1	
	L16013	G0C2R1KA0190	PEAKING COIL	1	
	L16103	G0ZZ00002183	PEAKING COIL	1	
	L16221	G0ZZ00002183	PEAKING COIL	1	
	L16262	G0ZZ00002183	PEAKING COIL	1	

Safety	Ref. No.	Part No.	Part Name & Description	Pcs	Remarks
	L16271	G0ZZ00002183	PEAKING COIL	1	
	L16301	J0JHC0000031	CHIP INDUCTOR	1	
	L16398	J0JJC0000015	CHIP INDUCTOR	1	
	L16399	J0JJC0000015	CHIP INDUCTOR	1	
	L16401	G0C2R1KA0190	PEAKING COIL	1	
	L16402	G0C2R1KA0190	PEAKING COIL	1	
	L16403	G0C2R1KA0190	PEAKING COIL	1	
	L16412	G0C1R4KA0118	PEAKING COIL	1	
	L16413	G0C1R4KA0118	PEAKING COIL	1	
	L16472	G0ZZ00002183	PEAKING COIL	1	
	L16697	G0C102KA0187	PEAKING COIL	1	
	L16698	G0C681KA0187	PEAKING COIL	1	
	L16699	G0C331KA0187	PEAKING COIL	1	
	L16801	G0ZZ00002183	PEAKING COIL	1	
	PA5510	K5H4022A0023	FUSE	1	
	PA5600	K5H5022A0023	FUSE	1	
	PA9900	K5H5022A0023	FUSE	1	
	PC2511	B3JB00000046	IC	1	
	PC14951	B3PBA0000457	IC	1	
	PC14952	B3PBA0000457	IC	1	
	PC16191	B3PBA0000496	IC	1	
	PC16461	B3PBA0000457	IC	1	
	PC16480	B3PBA0000223	IC	1	
	PC16601	B3PBA0000223	IC	1	
	PC16603	B3PBA0000223	IC	1	
	PC16684	B3PBA0000496	IC	1	
	PC16685	B3PBA0000496	IC	1	
	PC16896	B3PBA0000223	IC	1	
	PC16897	B3PBA0000223	IC	1	
	△ PCB	A-42PX81FV	CIRCUIT BOARD A	1	PAVCCZ
	△ PCB	LSEP1260EEHB	CIRCUIT BOARD P	1	PAVCCZ
	△ PCB	TNPA4642	CIRCUIT BOARD C1	1	
	△ PCB	TNPA4643	CIRCUIT BOARD C2	1	
	△ PCB	TNPA4644	CIRCUIT BOARD SC	1	
	△ PCB	TNPA4400	CIRCUIT BOARD SD	1	
	△ PCB	TNPA4659	CIRCUIT BOARD SS	1	
	△ PCB	TNPA4399	CIRCUIT BOARD SU	1	
	△ PCB	TXN/G1RRTB	CIRCUIT BOARD G	1	PAVCCZ
	△ PCB	TNPA4139AE	CIRCUIT BOARD GS	1	
	△ PCB	TXN/K1RRTB	CIRCUIT BOARD K	1	PAVCCZ
	△ PCB	TXN/S1RRTB	CIRCUIT BOARD S	1	PAVCCZ
	Q2001	2SD0601ARL	TRANSISTOR	1	
	Q2022	2SB0709ARL	TRANSISTOR	1	
	Q2027	B1CFNG000001	FET	1	
	Q2030	2SB0709ARL	TRANSISTOR	1	
	Q2033	2SB0709ARL	TRANSISTOR	1	
	Q2510	2SD0601ARL	TRANSISTOR	1	
	Q2511	2SD0601ARL	TRANSISTOR	1	
	Q2513	2SD0601ARL	TRANSISTOR	1	
	Q2518	2SD0601ARL	TRANSISTOR	1	
	Q3000	2SD0601ARL	TRANSISTOR	1	
	Q3001	2SD0601ARL	TRANSISTOR	1	
	Q3002	2SD0601ARL	TRANSISTOR	1	
	Q3003	2SD0601ARL	TRANSISTOR	1	
	Q3004	2SD0601ARL	TRANSISTOR	1	
	Q3005	2SD0601ARL	TRANSISTOR	1	
	Q4500	2SD0601ARL	TRANSISTOR	1	
	Q4501	2SD0601ARL	TRANSISTOR	1	
	Q4502	2SD0601ARL	TRANSISTOR	1	
	Q4503	2SD0601ARL	TRANSISTOR	1	
	Q4514	2SB0709ASL	TRANSISTOR	1	
	Q4515	2SB0709ASL	TRANSISTOR	1	
	Q4516	2SB0709ASL	TRANSISTOR	1	
	Q4517	2SB0709ASL	TRANSISTOR	1	
	Q4519	2SB0709ASL	TRANSISTOR	1	
	Q4520	2SD0601ARL	TRANSISTOR	1	
	Q4521	2SD0601ARL	TRANSISTOR	1	
	Q4523	2SD0601ARL	TRANSISTOR	1	

Safety	Ref. No.	Part No.	Part Name & Description	Pcs	Remarks
	Q4811	2SD0601ASL	TRANSISTOR	1	
	Q5522	2SB0709ARL	TRANSISTOR	1	
	Q5600	B1MBEDA00015	FET	1	
	Q5601	B1MBDDA00003	FET	1	
	Q5602	B1MBEDA00015	FET	1	
	Q5606	2SD0601ARL	TRANSISTOR	1	
	Q5607	2SD0601ARL	TRANSISTOR	1	
	Q8401	2SD0601ARL	TRANSISTOR	1	
	Q8402	2SD0601ARL	TRANSISTOR	1	
	Q9010	2SD0601ARL	TRANSISTOR	1	
	Q9044	2SD0601ARL	TRANSISTOR	1	
	Q9046	2SD0601ARL	TRANSISTOR	1	
	Q9057	2SD0601ARL	TRANSISTOR	1	
	Q9058	2SD0601ARL	TRANSISTOR	1	
	Q9301	2SD0601ARL	TRANSISTOR	1	
	Q9302	2SD0601ARL	TRANSISTOR	1	
	Q9805	2SD0601ARL	TRANSISTOR	1	
	Q9806	2SD0601ARL	TRANSISTOR	1	
	Q9807	B1MBDDA00003	FET	1	
	Q9808	B1MBDDA00015	FET	1	
	Q9809	B1MBDDA00003	FET	1	
	Q14961	2SD0601ARL	TRANSISTOR	1	
	Q14962	2SD0601ARL	TRANSISTOR	1	
	Q16001	B1JAEN000004	TRANSISTOR	1	
	Q16002	B1JAEN000004	TRANSISTOR	1	
	Q16021	B1JAEN000004	TRANSISTOR	1	
	Q16022	B1JAEN000004	TRANSISTOR	1	
	Q16041	B1JAEN000003	TRANSISTOR	1	
	Q16051	B1JADN000003	TRANSISTOR	1	
	Q16055	B1HFPPFA00001	TRANSISTOR	1	
	Q16056	B1HFPPFA00001	TRANSISTOR	1	
	Q16101	2SK399500L	FET	1	
	Q16102	2SK399500L	FET	1	
	Q16141	B1HFPPFA00001	TRANSISTOR	1	
	Q16161	B1HFPPFA00001	TRANSISTOR	1	
	Q16191	B1HFPPFA00001	TRANSISTOR	1	
	Q16251	2SD0601ARL	TRANSISTOR	1	
	Q16280	2SD0601ARL	TRANSISTOR	1	
	Q16301	B1CBGD000001	FET	1	
	Q16302	B1CFNG000001	FET	1	
	Q16304	2SB0709ASL	TRANSISTOR	1	
	Q16331	2SK326800L	FET	1	
	Q16339	2SK326800L	FET	1	
	Q16401	2PG0090000RP	TRANSISTOR	1	
	Q16402	2PG0090000RP	TRANSISTOR	1	
	Q16421	B1JAEP000004	TRANSISTOR	1	
	Q16422	B1JAEP000004	TRANSISTOR	1	
	Q16441	B1JAEP000003	TRANSISTOR	1	
	Q16451	B1JADP000003	TRANSISTOR	1	
	Q16471	B1ABCF000231	TRANSISTOR	1	
	Q16501	B1HFPPFA00001	TRANSISTOR	1	
	Q16521	B1HFPPFA00001	TRANSISTOR	1	
	Q16531	B1HFPPFA00001	TRANSISTOR	1	
	Q16551	B1HFPPFA00001	TRANSISTOR	1	
	Q16581	B1ABCF000231	TRANSISTOR	1	
	Q16601	B1CERR000025	FET	1	
	Q16602	2SD0601AQL	TRANSISTOR	1	
	Q16603	2SB0709ASL	TRANSISTOR	1	
	Q16604	B1CHPM000001	FET	1	
	Q16606	2SD0601AQL	TRANSISTOR	1	
	Q16607	B1CBGD000001	FET	1	
	Q16609	B1CFHL000002	FET	1	
	Q16621	B1CERM000019	FET	1	
	Q16622	B1CERM000019	FET	1	
	Q16641	B1JADN000004	TRANSISTOR	1	
	Q16661	B1JAER000003	TRANSISTOR	1	
	Q16662	2SD0601AQL	TRANSISTOR	1	
	Q16663	2SB0709ASL	TRANSISTOR	1	
	Q16664	B1HFPPFA00001	TRANSISTOR	1	
	Q16665	B1ABCF000231	TRANSISTOR	1	
	Q16666	B1ABCF000231	TRANSISTOR	1	
	Q16667	B1ADCN000007	TRANSISTOR	1	
	Q16701	B1ADCN000007	TRANSISTOR	1	

Safety	Ref. No.	Part No.	Part Name & Description	Pcs	Remarks
	Q16702	B1ABCF000231	TRANSISTOR	1	
	Q16762	B1ADNF000006	TRANSISTOR	1	
	Q16781	B1HFPPFA00001	TRANSISTOR	1	
	Q16805	2SC3063000RL	TRANSISTOR	1	
	Q16806	2SC1473AEA	TRANSISTOR	1	
	Q16814	B1ABCN000007	TRANSISTOR	1	
	Q16815	B1ABCN000007	TRANSISTOR	1	
	Q16816	2SD0601AQL	TRANSISTOR	1	
	Q16817	2SD0601AQL	TRANSISTOR	1	
	Q16871	2SB0709ARL	TRANSISTOR	1	
	Q16872	2SB0709ARL	TRANSISTOR	1	
	Q16873	B1ABCF000231	TRANSISTOR	1	
	Q16874	B1CBGD000001	FET	1	
	Q16875	B1ABCF000231	TRANSISTOR	1	
	Q16876	B1ABCF000231	TRANSISTOR	1	
	Q16879	B1ABCF000231	TRANSISTOR	1	
	R003	ERJ2GEJ102X	M 1K OHM J 1/4W	1	
	R006	ERJ2GEJ103	M 10KOHM, J, 0.063W	1	
	R007	ERJ2GEJ103	M 10KOHM, J, 0.063W	1	
	R008	ERJ2GEJ103	M 10KOHM, J, 0.063W	1	
	R009	ERJ2GEJ103	M 10KOHM, J, 0.063W	1	
	R1000	ERJ2GED273X	M 27KOHM, J, 0.063W	1	
	R1001	ERJ2GED273X	M 27KOHM, J, 0.063W	1	
	R1100	ERJ2GEJ101	M 100 OHM, J, 0.063W	1	
	R1101	ERJ2GEJ101	M 100 OHM, J, 0.063W	1	
	R1102	ERJ2GEJ101	M 100 OHM, J, 0.063W	1	
	R1103	ERJ2RKD330	M 33 OHM, J, 2W	1	
	R1104	ERJ2GEJ473	M 47KOHM, J, 0.063W	1	
	R1105	ERJ2GEJ101	M 100 OHM, J, 0.063W	1	
	R1106	ERJ2GEJ101	M 100 OHM, J, 0.063W	1	
	R1107	ERJ2GEJ101	M 100 OHM, J, 0.063W	1	
	R1108	ERJ2GEJ101	M 100 OHM, J, 0.063W	1	
	R1109	ERJ2GEJ101	M 100 OHM, J, 0.063W	1	
	R1153	ERJ2GEJ821	M 820 OHM, J, 0.063W	1	
	R1164	ERJ2GEJ103	M 10KOHM, J, 0.063W	1	
	R1166	ERJ2GEJ104	M 100KOHM, J, 0.063W	1	
	R1169	ERJ2GEJ683	M 68KOHM, J, 0.063W	1	
	R1170	ERJ2GEJ333	M 33KOHM, J, 0.063W	1	
	R1171	ERJ2GEJ683	M 68KOHM, J, 0.063W	1	
	R1172	ERJ2GEJ333	M 33KOHM, J, 0.063W	1	
	R1173	ERJ2GEJ331	M 330 OHM, J, 0.063W	1	
	R1182	ERJ2GED273X	M 27KOHM, J, 0.063W	1	
	R1194	ERJ2GEJ683	M 68KOHM, J, 0.063W	1	
	R1196	ERJ2GEJ473	M 47KOHM, J, 0.063W	1	
	R1197	ERJ2GEJ103	M 10KOHM, J, 0.063W	1	
	R1200	ERJ2GEJ472	M 4.7KOHM, J, 0.063W	1	
	R1201	ERJ2GEJ472	M 4.7KOHM, J, 0.063W	1	
	R1203	ERJ2GEJ473	M 47KOHM, J, 0.063W	1	

Safety	Ref. No.	Part No.	Part Name & Description	Pcs	Remarks
	R1204	ERJ2RKD330	M 33 OHM, J, 2W	1	
	R1207	ERJ2GEJ101	M 100 OHM, J, 0.063W	1	
	R1208	ERJ2GEJ103	M 10KOHM, J, 0.063W	1	
	R1209	ERJ2GEJ473	M 47KOHM, J, 0.063W	1	
	R1210	ERJ2GEJ473	M 47KOHM, J, 0.063W	1	
	R1211	ERJ2GEJ473	M 47KOHM, J, 0.063W	1	
	R1212	ERJ2GEJ473	M 47KOHM, J, 0.063W	1	
	R1216	ERJ2GEJ103	M 10KOHM, J, 0.063W	1	
	R1217	ERJ2GEJ104	M 100KOHM, J, 0.063W	1	
	R1218	ERJ2GEJ103	M 10KOHM, J, 0.063W	1	
	R1219	ERJ2GEJ103	M 10KOHM, J, 0.063W	1	
	R1220	ERJ2GEJ103	M 10KOHM, J, 0.063W	1	
	R1221	D1BB7151A055	M7.15KOHM, 1/10W	1	
	R1224	ERJ2GEJ103	M 10KOHM, J, 0.063W	1	
	R1225	ERJ2GEJ103	M 10KOHM, J, 0.063W	1	
	R1230	ERJ2GEJ473	M 47KOHM, J, 0.063W	1	
	R1236	ERJ2GEJ473	M 47KOHM, J, 0.063W	1	
	R1237	ERJ2GEJ102X	M 1K OHM J 1/4W	1	
	R1243	ERJ2GEJ473	M 47KOHM, J, 0.063W	1	
	R1251	ERJ2GEJ473	M 47KOHM, J, 0.063W	1	
	R1255	ERJ2GEJ102X	M 1K OHM J 1/4W	1	
	R2000	ERJ2GEJ220	M 22 OHM, J, 0.063W	1	
	R2001	ERJ2GEJ220	M 22 OHM, J, 0.063W	1	
	R2002	ERJ2GEJ681	M 680 OHM, J, 0.063W	1	
	R2003	ERJ2GEJ105	M 1MOHM, J, 0.063W	1	
	R2006	ERJ2GEJ471	M 470 OHM, J, 0.063W	1	
	R2007	ERJ2GEJ221	M 220 OHM, J, 0.063W	1	
	R2008	ERJ2GEJ471	M 470 OHM, J, 0.063W	1	
	R2015	ERJ2GEJ103	M 10KOHM, J, 0.063W	1	
	R2016	ERJ2GEJ103	M 10KOHM, J, 0.063W	1	
	R2017	ERJ2GEJ103	M 10KOHM, J, 0.063W	1	
	R2018	ERJ2GEJ103	M 10KOHM, J, 0.063W	1	
	R2019	D1BB2002A055	M 20KOHM, 1/10W	1	
	R2020	D1BB2001A055	M 2KOHM, 1/10W	1	
	R2023	ERJ2GEJ103	M 10KOHM, J, 0.063W	1	
	R2026	D1BB1203A055	M 120KOHM, 1/10W	1	
	R2027	D1BB7502A055	M 75KOHM, 1/10W	1	
	R2047	D1BB2002A055	M 20KOHM, 1/10W	1	
	R2048	D1BB2002A055	M 20KOHM, 1/10W	1	
	R2050	D1BB2002A055	M 20KOHM, 1/10W	1	
	R2051	D1BB2002A055	M 20KOHM, 1/10W	1	
	R2052	ERJ6GEYJ331V	M 330 OHM J 1/10W	1	
	R2053	ERJ2GEJ223	M 22KOHM, J, 0.063W	1	
	R2054	ERJ2GEJ103	M 10KOHM, J, 0.063W	1	
	R2057	ERJ2GEJ102X	M 1K OHM J 1/4W	1	
	R2058	ERJ2GEJ103	M 10KOHM, J, 0.063W	1	

Safety	Ref. No.	Part No.	Part Name & Description	Pcs	Remarks
	R2063	ERJ2GEJ101	M 100 OHM, J, 0.063W	1	
	R2064	ERJ2GEJ101	M 100 OHM, J, 0.063W	1	
	R2065	ERJ2GEJ823	M 82KOHM, J, 0.063W	1	
	R2071	ERJ2GEJ104	M 100KOHM, J, 0.063W	1	
	R2072	ERJ2GEJ104	M 100KOHM, J, 0.063W	1	
	R2073	ERJ6GEYG681	M 680 OHM, J, 1/10W	1	
	R2074	D1BB6802A055	M 68KOHM, 1/10W	1	
	R2075	D1BB1583A055	M 158KOHM, 1/10W	1	
	R2089	ERJ2GEJ153	M 15KOHM, J, 0.063W	1	
	R2090	ERJ2GEJ153	M 15KOHM, J, 0.063W	1	
	R2092	ERJ2GEJ103	M 10KOHM, J, 0.063W	1	
	R2093	ERJ2GEJ103	M 10KOHM, J, 0.063W	1	
	R2095	ERJ2GEJ473	M 47KOHM, J, 0.063W	1	
	R2096	ERJ2GEJ473	M 47KOHM, J, 0.063W	1	
	R2097	ERJ2GEJ105	M 1MOHM, J, 0.063W	1	
	R2098	ERJ2GEJ103	M 10KOHM, J, 0.063W	1	
	R2111	ERJ2GEJ103	M 10KOHM, J, 0.063W	1	
	R2114	ERJ2GEJ222	M 2.2KOHM, J, 0.063W	1	
	R2115	ERJ2GEJ222	M 2.2KOHM, J, 0.063W	1	
	R2118	ERJ2GEJ471	M 470 OHM, J, 0.063W	1	
	R2121	ERJ8GEYJ3R3V	M 3.3 OHM, J, 1/8W	1	
	R2123	ERJ8GEYJ3R3V	M 3.3 OHM, J, 1/8W	1	
	R2125	ERJ8GEYJ3R3V	M 3.3 OHM, J, 1/8W	1	
	R2127	ERJ8GEYJ3R3V	M 3.3 OHM, J, 1/8W	1	
	R2129	ERJ2GEJ100	M 10 OHM, J, 0.063W	1	
	R2132	ERJ2GEJ471	M 470 OHM, J, 0.063W	1	
	R2133	ERJ2GEJ100	M 10 OHM, J, 0.063W	1	
	R2137	ERJ2GEJ100	M 10 OHM, J, 0.063W	1	
	R2141	ERJ2GEJ102X	M 1K OHM J 1/4W	1	
	R2142	ERJ2GEJ222	M 2.2KOHM, J, 0.063W	1	
	R2164	D1BB1003A055	M 100KOHM, 1/10W	1	
	R2165	D1BB3401A055	M 3.4KOHM, 1/10W	1	
	R2169	D0GBR00Z0002	M 0 OHM J 1/16W	1	
	R2170	D0GBR00Z0002	M 0 OHM J 1/16W	1	
	R2172	ERJ2GEJ680	M 68 OHM, J, 0.063W	1	
	R2174	ERJ2GEJ221	M 220 OHM, J, 0.063W	1	
	R2175	ERJ2GEJ561	M 60 OHM, J, 0.063W	1	
	R2176	ERJ6GEYJ271V	M 270 OHM J 1/10W	1	
	R2179	ERJ2GEJ221	M 220 OHM, J, 0.063W	1	
	R2180	ERJ2GEJ473	M 47KOHM, J, 0.063W	1	
	R2191	D0YAR0000007	M 0 OHM 1/4W	1	
	R2194	D0YAR0000007	M 0 OHM 1/4W	1	
	R2200	ERJ6GEYJ153V	M 15KOHM, J, 1/10W	1	
	R2211	ERJ2GEJ102X	M 1K OHM J 1/4W	1	
	R2271	EXB28V220J	RESISTOR ARRAY	1	
	R2300	D1BB4701A055	M 4.7KOHM, 1/10W	1	

Safety	Ref. No.	Part No.	Part Name & Description	Pcs	Remarks
	R2506	ERJ6GEY0R00V	M 0 OHM J 1/10W	1	
	R2507	ERJ6GEY0R00V	M 0 OHM J 1/10W	1	
	R2516	ERJ3GEYJ223	M 22KOHM,J,1/16W	1	
	R2517	ERJ3GEYJ470	M 47 OHM,J,1/16W	1	
	R2520	ERJ3GEYJ224	M 220KOHM,J,1/16W	1	
	R2524	ERJ3GEYJ223	M 22KOHM,J,1/16W	1	
	R2525	D1BB5760A055	M 576 OHM, 1/10W	1	
	R2530	D0GB473JA057	M 47KOHM,J,1/16W	1	
	R2531	D1BB2700A055	M 270 OHM, 1/10W	1	
	R2539	D0GB473JA057	M 47KOHM,J,1/16W	1	
	R2540	ERJ3GEYJ223	M 22KOHM,J,1/16W	1	
	R2542	D0GB473JA057	M 47KOHM,J,1/16W	1	
	R2554	ERJ6RED750	M 75 OHM, 1/10W	1	
	R2556	D0GB103JA041	M 10K OHM J 1/16W	1	
	R2557	ERJ3GEYJ223	M 22KOHM,J,1/16W	1	
	R2572	D0GDR00Z0002	M 0 OHM, 1/10W	1	
	R2576	J0JCC0000269	CHIP INDUCTOR	1	
	R2577	J0JCC0000269	CHIP INDUCTOR	1	
	R2579	J0JCC0000269	CHIP INDUCTOR	1	
	R3000	ERJ6GEYJ223	M 22KOHM,J,1/10W	1	
	R3001	ERJ6GEYJ223	M 22KOHM,J,1/10W	1	
	R3002	ERJ6GEYJ223	M 22KOHM,J,1/10W	1	
	R3003	ERJ6GEYJ223	M 22KOHM,J,1/10W	1	
	R3004	ERJ6GEYJ223	M 22KOHM,J,1/10W	1	
	R3005	ERJ6GEYJ223	M 22KOHM,J,1/10W	1	
	R3006	ERJ2GEJ104	M 100KOHM, J,0.063W	1	
	R3007	ERJ2GEJ104	M 100KOHM, J,0.063W	1	
	R3008	ERJ2GEJ222	M 2.2KOHM, J,0.063W	1	
	R3009	ERJ2GEJ222	M 2.2KOHM, J,0.063W	1	
	R3010	ERJ2GEJ104	M 100KOHM, J,0.063W	1	
	R3011	ERJ2GEJ104	M 100KOHM, J,0.063W	1	
	R3012	ERJ2GEJ222	M 2.2KOHM, J,0.063W	1	
	R3013	ERJ2GEJ222	M 2.2KOHM, J,0.063W	1	
	R3019	ERJ2GEJ222	M 2.2KOHM, J,0.063W	1	
	R3021	ERJ2GEJ222	M 2.2KOHM, J,0.063W	1	
	R3024	ERJ2GEJ104	M 100KOHM, J,0.063W	1	
	R3025	ERJ2GEJ104	M 100KOHM, J,0.063W	1	
	R3028	ERJ2GEJ331	M 330 OHM, J,0.063W	1	
	R3029	ERJ2GEJ331	M 330 OHM, J,0.063W	1	
	R3033	ERJ2GEJ221	M 220 OHM, J,0.063W	1	
	R3034	ERJ2GEJ221	M 220 OHM, J,0.063W	1	
	R3037	ERJ2GEJ221	M 220 OHM, J,0.063W	1	
	R3038	ERJ2GEJ221	M 220 OHM, J,0.063W	1	
	R3041	ERJ2GEJ331	M 330 OHM, J,0.063W	1	
	R3042	ERJ2GEJ331	M 330 OHM, J,0.063W	1	
	R3043	ERJ2GEJ221	M 220 OHM, J,0.063W	1	
	R3045	ERJ2GEJ221	M 220 OHM, J,0.063W	1	
	R3047	ERJ2GEJ221	M 220 OHM, J,0.063W	1	
	R3048	ERJ2GEJ221	M 220 OHM, J,0.063W	1	
	R3049	ERJ2GEJ221	M 220 OHM, J,0.063W	1	

Safety	Ref. No.	Part No.	Part Name & Description	Pcs	Remarks
	R3050	ERJ2GEJ221	M 220 OHM, J,0.063W	1	
	R3051	ERJ2GEJ221	M 220 OHM, J,0.063W	1	
	R3052	ERJ2GEJ221	M 220 OHM, J,0.063W	1	
	R3072	ERJ6ENF1500	M 150 OHM, 1/10W	1	
	R3073	ERJ6ENF1500	M 150 OHM, 1/10W	1	
	R3074	ERJ6ENF1500	M 150 OHM, 1/10W	1	
	R3075	ERJ6ENF1500	M 150 OHM, 1/10W	1	
	R3076	ERJ6ENF1500	M 150 OHM, 1/10W	1	
	R3077	ERJ6ENF1500	M 150 OHM, 1/10W	1	
	R3079	ERJ6ENF1500	M 150 OHM, 1/10W	1	
	R3081	ERJ6ENF1500	M 150 OHM, 1/10W	1	
	R3082	ERJ6ENF1500	M 150 OHM, 1/10W	1	
	R3083	ERJ6ENF1500	M 150 OHM, 1/10W	1	
	R3084	ERJ6RED750	M 75 OHM, 1/10W	1	
	R3085	ERJ6RED750	M 75 OHM, 1/10W	1	
	R3086	ERJ6RED750	M 75 OHM, 1/10W	1	
	R3087	ERJ6ENF1500	M 150 OHM, 1/10W	1	
	R3089	ERJ6GEYJ680V	M 68 OHM,J,1/10W	1	
	R3091	ERJ6ENF2152	M21.5KOHM, 1/10W	1	
	R3092	ERJ6ENF2152	M21.5KOHM, 1/10W	1	
	R3094	ERJ6ENF1302	M 13KOHM, 1/10W	1	
	R3097	ERJ6ENF1500	M 150 OHM, 1/10W	1	
	R3098	ERJ6ENF1500	M 150 OHM, 1/10W	1	
	R3100	ERJ2GEJ104	M 100KOHM, J,0.063W	1	
	R3102	ERJ6ENF1500	M 150 OHM, 1/10W	1	
	R3104	ERJ6ENF1500	M 150 OHM, 1/10W	1	
	R3112	D0YAR0000007	M 0 OHM 1/4W	1	
	R3113	D0YAR0000007	M 0 OHM 1/4W	1	
	R3115	ERJ2GEJ221	M 220 OHM, J,0.063W	1	
	R3116	ERJ2GEJ221	M 220 OHM, J,0.063W	1	
	R3117	ERJ2GEJ221	M 220 OHM, J,0.063W	1	
	R3118	ERJ2GEJ221	M 220 OHM, J,0.063W	1	
	R3119	ERJ2GEJ221	M 220 OHM, J,0.063W	1	
	R3120	ERJ2GEJ331	M 330 OHM, J,0.063W	1	
	R3121	ERJ6RED750	M 75 OHM, 1/10W	1	
	R3123	ERJ2GEJ221	M 220 OHM, J,0.063W	1	
	R3128	ERJ2GEJ221	M 220 OHM, J,0.063W	1	
	R3130	ERJ2GEJ220	M 22 OHM, J,0.063W	1	
	R3131	ERJ2GEJ220	M 22 OHM, J,0.063W	1	
	R3132	ERJ2GEJ820	M 82 OHM, J,0.063W	1	
	R3133	ERJ2GEJ820	M 82 OHM, J,0.063W	1	
	R3134	ERJ2GEJ820	M 82 OHM, J,0.063W	1	
	R3135	ERJ2GEJ221	M 220 OHM, J,0.063W	1	
	R3136	ERJ2GEJ221	M 220 OHM, J,0.063W	1	
	R3137	ERJ2GEJ221	M 220 OHM, J,0.063W	1	
	R3138	ERJ2GEJ221	M 220 OHM, J,0.063W	1	
	R3139	ERJ2GEJ221	M 220 OHM, J,0.063W	1	
	R3140	ERJ2GEJ221	M 220 OHM, J,0.063W	1	
	R3143	ERJ2GEJ680	M 68 OHM, J,0.063W	1	
	R3146	ERJ2GEJ331	M 330 OHM, J,0.063W	1	
	R3150	ERJ2GEJ680	M 68 OHM, J,0.063W	1	
	R3153	ERJ6GEYJ680V	M 68 OHM,J,1/10W	1	

Safety	Ref. No.	Part No.	Part Name & Description	Pcs	Remarks
	R3167	ERJ6RED750	M 75 OHM, 1/10W	1	
	R3169	ERJ2GEJ104	M 100KOHM, J, 0.063W	1	
	R3172	ERJ6RED750	M 75 OHM, 1/10W	1	
	R3174	ERJ2GEJ104	M 100KOHM, J, 0.063W	1	
	R3182	ERJ6ENF1302	M 13KOHM, 1/10W	1	
	R3186	ERJ6ENF1500	M 150 OHM, 1/10W	1	
	R3187	ERJ6ENF1500	M 150 OHM, 1/10W	1	
	R3188	ERJ6ENF1500	M 150 OHM, 1/10W	1	
	R3189	ERJ2GEJ680	M 68 OHM, J, 0.063W	1	
	R3190	ERJ2GEJ680	M 68 OHM, J, 0.063W	1	
	R3191	ERJ2GEJ680	M 68 OHM, J, 0.063W	1	
	R3193	ERJ6ENF1500	M 150 OHM, 1/10W	1	
	R3198	ERJ6ENF1500	M 150 OHM, 1/10W	1	
	R3204	ERJ6ENF1500	M 150 OHM, 1/10W	1	
	R3205	ERJ6ENF1500	M 150 OHM, 1/10W	1	
	R3212	ERJ6ENF1500	M 150 OHM, 1/10W	1	
	R3213	ERJ6ENF1500	M 150 OHM, 1/10W	1	
	R3223	ERJ2GEJ680	M 68 OHM, J, 0.063W	1	
	R3225	ERJ2GEJ680	M 68 OHM, J, 0.063W	1	
	R3226	ERJ6GEYJ472V	M 4.7K OHM J 1/10W	1	
	R3227	ERJ6GEYJ472V	M 4.7K OHM J 1/10W	1	
	R3230	ERJ6RED750	M 75 OHM, 1/10W	1	
	R3232	ERJ6RED750	M 75 OHM, 1/10W	1	
	R3234	ERJ6RED750	M 75 OHM, 1/10W	1	
	R3236	ERJ2GEJ680	M 68 OHM, J, 0.063W	1	
	R3237	ERJ2GEJ680	M 68 OHM, J, 0.063W	1	
	R3240	ERJ2GEJ221	M 220 OHM, J, 0.063W	1	
	R3245	ERJ2GEJ221	M 220 OHM, J, 0.063W	1	
	R3716	ERJ6GEYJ184	M 180KOHM, J, 1/10W	1	
	R3717	ERJ6GEYJ184	M 180KOHM, J, 1/10W	1	
	R3721	D0GD103JA036	M 10KOHM, J, 0.25W	1	
	R3751	ERJ6ENF1432	M14.3KOHM, 1/10W	1	
	R3753	ERJ6ENF1741	M1.74KOHM, 1/10W	1	
	R3758	ERJ6ENF6651	M6.65KOHM, 1/10W	1	
	R3767	ERJ6ENF7151	M7.15KOHM, 1/10W	1	
	R4280	ERJ2GEJ473	M 47KOHM, J, 0.063W	1	
	R4281	ERJ2GEJ473	M 47KOHM, J, 0.063W	1	
	R4282	ERJ2GEJ473	M 47KOHM, J, 0.063W	1	
	R4284	ERJ2GEJ103	M 10KOHM, J, 0.063W	1	
	R4291	ERJ2GEJ103	M 10KOHM, J, 0.063W	1	
	R4292	ERJ2GEJ103	M 10KOHM, J, 0.063W	1	
	R4321	ERJ2GEJ103	M 10KOHM, J, 0.063W	1	
	R4322	ERJ2GEJ103	M 10KOHM, J, 0.063W	1	
	R4323	ERJ2GEJ103	M 10KOHM, J, 0.063W	1	
	R4325	ERJ2GEJ103	M 10KOHM, J, 0.063W	1	
	R4327	ERJ2GEJ473	M 47KOHM, J, 0.063W	1	
	R4330	ERJ2GEJ103	M 10KOHM, J, 0.063W	1	
	R4500	ERJ2GEJ103	M 10KOHM, J, 0.063W	1	
	R4501	ERJ2GEJ103	M 10KOHM, J, 0.063W	1	
	R4502	ERJ2RKD330	M 33 OHM, J, 2W	1	

Safety	Ref. No.	Part No.	Part Name & Description	Pcs	Remarks
	R4503	ERJ2RKD330	M 33 OHM, J, 2W	1	
	R4524	DOYAR0000007	M 0 OHM 1/4W	1	
	R4525	DOYAR0000007	M 0 OHM 1/4W	1	
	R4526	ERJ2GEJ102X	M 1K OHM J 1/4W	1	
	R4527	ERJ2GEJ102X	M 1K OHM J 1/4W	1	
	R4528	ERJ2GEJ103	M 10KOHM, J, 0.063W	1	
	R4530	ERJ2GEJ103	M 10KOHM, J, 0.063W	1	
	R4538	ERJ2GEJ473	M 47KOHM, J, 0.063W	1	
	R4540	ERJ2GEJ473	M 47KOHM, J, 0.063W	1	
	R4552	ERJ2GEJ220	M 22 OHM, J, 0.063W	1	
	R4587	D1BB60400001	M 604 OHM, 1/10W	1	
	R4588	D1BB8060A055	M 806 OHM, 1/10W	1	
	R4589	D1BB8060A055	M 806 OHM, 1/10W	1	
	R4590	ERJ2GEJ103	M 10KOHM, J, 0.063W	1	
	R4591	ERJ2GEJ103	M 10KOHM, J, 0.063W	1	
	R4592	D1BB8060A055	M 806 OHM, 1/10W	1	
	R4593	D1BB2201A055	M 2.2KOHM, 1/10W	1	
	R4596	ERJ6GEYJ102V	M 1K OHM J 1/10W	1	
	R4597	ERJ6GEYJ102V	M 1K OHM J 1/10W	1	
	R4598	ERJ6GEYJ102V	M 1K OHM J 1/10W	1	
	R4601	ERJ6GEYJ102V	M 1K OHM J 1/10W	1	
	R4605	D1BB2201A055	M 2.2KOHM, 1/10W	1	
	R4606	D1BB9101A055	M 9.1KOHM, 1/10W	1	
	R4608	ERJ6GEYJ102V	M 1K OHM J 1/10W	1	
	R4609	ERJ2GEJ122	M 1.2KOHM, J, 0.063W	1	
	R4611	D1BB5601A055	M 5.6KOHM, 1/10W	1	
	R4622	ERJ2GEJ102X	M 1K OHM J 1/4W	1	
	R4624	ERJ2GEJ103	M 10KOHM, J, 0.063W	1	
	R4625	ERJ2GEJ103	M 10KOHM, J, 0.063W	1	
	R4626	D1BB2200A055	M 220 OHM, 1/10W	1	
	R4627	D1BB2200A055	M 220 OHM, 1/10W	1	
	R4631	D1BB4990A055	M 499 OHM, 1/10W	1	
	R4634	D1BB2200A055	M 220 OHM, 1/10W	1	
	R4635	EXB28V680JX	RESISTOR ARRAY	1	
	R4636	ERJ2GEJ680	M 68 OHM, J, 0.063W	1	
	R4637	ERJ2GEJ680	M 68 OHM, J, 0.063W	1	
	R4638	ERJ2GEJ680	M 68 OHM, J, 0.063W	1	
	R4639	EXB28V680JX	RESISTOR ARRAY	1	
	R4640	EXB28V680JX	RESISTOR ARRAY	1	
	R4645	ERJ2GEJ680	M 68 OHM, J, 0.063W	1	
	R4646	ERJ2GEJ680	M 68 OHM, J, 0.063W	1	
	R4647	ERJ2GEJ473	M 47KOHM, J, 0.063W	1	
	R4648	EXB28V330J	RESISTOR ARRAY	1	
	R4649	EXB28V680JX	RESISTOR ARRAY	1	
	R4650	ERJ2GEJ680	M 68 OHM, J, 0.063W	1	
	R4651	ERJ2GEJ680	M 68 OHM, J, 0.063W	1	
	R4652	ERJ2GEJ473	M 47KOHM, J, 0.063W	1	
	R4656	ERJ2GEJ222	M 2.2KOHM, J, 0.063W	1	
	R4664	D1BB60400001	M 604 OHM, 1/10W	1	
	R4665	ERJ2GEJ473	M 47KOHM, J, 0.063W	1	
	R4666	ERJ2GEJ473	M 47KOHM, J, 0.063W	1	
	R4670	ERJ2GEJ680	M 68 OHM, J, 0.063W	1	
	R4678	EXB28V680JX	RESISTOR ARRAY	1	
	R4679	EXB28V680JX	RESISTOR ARRAY	1	

Safety	Ref. No.	Part No.	Part Name & Description	Pcs	Remarks
	R4680	ERJ2GEJ680	M 68 OHM, J, 0.063W	1	
	R4699	ERJ2GEJ680	M 68 OHM, J, 0.063W	1	
	R4727	ERJ2GEJ102X	M 1K OHM J 1/4W	1	
	R4728	ERJ2GEJ103	M 10KOHM, J, 0.063W	1	
	R4729	ERJ2RKD330	M 33 OHM, J, 2W	1	
	R4732	ERJ2GEJ103	M 10KOHM, J, 0.063W	1	
	R4733	ERJ2GEJ103	M 10KOHM, J, 0.063W	1	
	R4735	ERJ2GEJ103	M 10KOHM, J, 0.063W	1	
	R4737	ERJ2GEJ472	M 4.7KOHM, J, 0.063W	1	
	R4738	ERJ2GEJ473	M 47KOHM, J, 0.063W	1	
	R4742	ERJ2GEJ680	M 68 OHM, J, 0.063W	1	
	R4743	ERJ2GEJ680	M 68 OHM, J, 0.063W	1	
	R4745	ERJ2GEJ103	M 10KOHM, J, 0.063W	1	
	R4821	ERJ2GEJ103	M 10KOHM, J, 0.063W	1	
	R4833	ERJ2GEJ473	M 47KOHM, J, 0.063W	1	
	R4835	ERJ2GEJ103	M 10KOHM, J, 0.063W	1	
	R5400	ERJ2GEJ104	M 100KOHM, J, 0.063W	1	
	R5401	ERJ2GEJ103	M 10KOHM, J, 0.063W	1	
	R5402	D1BB4532A055	M4.53KOHM, 1/10W	1	
	R5403	D1BB1002A055	M 10KOHM, 1/10W	1	
	R5405	ERJ2GEJ104	M 100KOHM, J, 0.063W	1	
	R5406	ERJ2GEJ203X	M 20KOHM, J, 0.063W	1	
	R5407	D1BB8872A055	M8.87KOHM, 1/10W	1	
	R5408	D1BB1002A055	M 10KOHM, 1/10W	1	
	R5510	ERJ2GEJ101	M 100 OHM, J, 0.063W	1	
	R5511	ERJ2GEJ101	M 100 OHM, J, 0.063W	1	
	R5512	ERJ2GEJ101	M 100 OHM, J, 0.063W	1	
	R5535	ERJ2GEJ222	M 2.2KOHM, J, 0.063W	1	
	R5536	ERJ2GEJ472	M 4.7KOHM, J, 0.063W	1	
	R5537	ERJ2GEJ152	M 1.5KOHM, J, 0.063W	1	
	R5538	ERJ2GEJ222	M 2.2KOHM, J, 0.063W	1	
	R5542	ERJ6GEYJ471	M 470 OHM, J, 1/10W	1	
	R5544	ERJ2GEJ221	M 220 OHM, J, 0.063W	1	
	R5546	ERJ2GEJ471	M 470 OHM, J, 0.063W	1	
	R5581	ERJ2GEJ473	M 47KOHM, J, 0.063W	1	
	R5582	ERJ2GEJ473	M 47KOHM, J, 0.063W	1	
	R5583	ERJ2GEJ473	M 47KOHM, J, 0.063W	1	
	R5586	ERJ2GEJ473	M 47KOHM, J, 0.063W	1	
	R5600	ERJ2GEJ680	M 68 OHM, J, 0.063W	1	
	R5604	D1BB4702A055	M 47KOHM, 1/10W	1	
	R5605	D1BB1272A055	M12.7KOHM, 1/10W	1	
	R5606	D0YAR0000007	M 0 OHM 1/4W	1	
	R5607	D0YAR0000007	M 0 OHM 1/4W	1	
	R5610	ERJ2GEJ104	M 100KOHM, J, 0.063W	1	
	R5611	D1BB4702A055	M 47KOHM, 1/10W	1	

Safety	Ref. No.	Part No.	Part Name & Description	Pcs	Remarks
	R5612	D1BB3602A055	M 36KOHM, 1/10W	1	
	R5620	ERJ2GEJ680	M 68 OHM, J, 0.063W	1	
	R5621	D1BB3602A055	M 36KOHM, 1/10W	1	
	R5622	ERJ2GEJ104	M 100KOHM, J, 0.063W	1	
	R5623	D1BB2802A055	M 28KOHM, 1/10W	1	
	R5625	D0YAR0000007	M 0 OHM 1/4W	1	
	R5626	D0YAR0000007	M 0 OHM 1/4W	1	
	R5627	D0YAR0000007	M 0 OHM 1/4W	1	
	R5628	D0YAR0000007	M 0 OHM 1/4W	1	
	R5629	D1BB2802A055	M 28KOHM, 1/10W	1	
	R5630	D1BB4752A055	M47.5KOHM, 1/10W	1	
	R5631	D1BB3602A055	M 36KOHM, 1/10W	1	
	R5632	D1BB3002A055	M 30KOHM, 1/10W	1	
	R5633	D1BB4702A055	M 47KOHM, 1/10W	1	
	R5634	D1BB3602A055	M 36KOHM, 1/10W	1	
	R5635	ERJ2GEJ223	M 22KOHM, J, 0.063W	1	
	R5636	ERJ2GEJ683	M 68KOHM, J, 0.063W	1	
	R5637	D0YAR0000007	M 0 OHM 1/4W	1	
	R5646	ERJ2GEJ103	M 10KOHM, J, 0.063W	1	
	R5647	ERJ2GEJ473	M 47KOHM, J, 0.063W	1	
	R5657	ERJ2GEJ222	M 2.2KOHM, J, 0.063W	1	
	R5658	ERJ2GEJ473	M 47KOHM, J, 0.063W	1	
	R5659	ERJ2GEJ103	M 10KOHM, J, 0.063W	1	
	R5660	ERJ2GEJ103	M 10KOHM, J, 0.063W	1	
	R5661	ERJ2GEJ123	M 12KOHM, J, 0.063W	1	
	R5662	ERJ2GEJ473	M 47KOHM, J, 0.063W	1	
	R5664	D0YAR0000007	M 0 OHM 1/4W	1	
	R5702	ERJ2GEJ222	M 2.2KOHM, J, 0.063W	1	
	R5732	ERJ2GEJ223	M 22KOHM, J, 0.063W	1	
	R5733	ERJ2GEJ473	M 47KOHM, J, 0.063W	1	
	R5763	ERJ2GEJ101	M 100 OHM, J, 0.063W	1	
	R7701	ERJ2GEJ680	M 68 OHM, J, 0.063W	1	
	R7702	D0YAR0000007	M 0 OHM 1/4W	1	
	R7703	ERJ2GEJ680	M 68 OHM, J, 0.063W	1	
	R7704	ERJ2GEJ680	M 68 OHM, J, 0.063W	1	
	R7705	ERJ2GEJ680	M 68 OHM, J, 0.063W	1	
	R7706	D0GBR00Z0002	M 0 OHM J 1/16W	1	
	R7708	D0GBR00Z0002	M 0 OHM J 1/16W	1	
	R7709	ERJ2GEJ680	M 68 OHM, J, 0.063W	1	
	R7710	ERJ2GEJ101	M 100 OHM, J, 0.063W	1	
	R7713	D0YAR0000007	M 0 OHM 1/4W	1	
	R7716	D0GBR00Z0002	M 0 OHM J 1/16W	1	
	R7731	D0YAR0000007	M 0 OHM 1/4W	1	
	R7792	D0GBR00Z0002	M 0 OHM J 1/16W	1	
	R7793	D0GBR00Z0002	M 0 OHM J 1/16W	1	
	R7794	D0GBR00Z0002	M 0 OHM J 1/16W	1	
	R7795	D0GBR00Z0002	M 0 OHM J 1/16W	1	
	R7796	D0GBR00Z0002	M 0 OHM J 1/16W	1	
	R7797	D0GBR00Z0002	M 0 OHM J 1/16W	1	
	R7798	D0GBR00Z0002	M 0 OHM J 1/16W	1	
	R7799	D0GBR00Z0002	M 0 OHM J 1/16W	1	
	R8004	D1BB2402A055	M 24KOHM, 1/10W	1	
	R8005	D1BB1002A055	M 10KOHM, 1/10W	1	
	R8006	D1BB2402A055	M 24KOHM, 1/10W	1	
	R8026	D0YAR0000007	M 0 OHM 1/4W	1	

Safety	Ref. No.	Part No.	Part Name & Description	Pcs	Remarks
	R8027	DOYAR0000007	M 0 OHM 1/4W	1	
	R8030	ERJ2GEJ101	M 100 OHM, J,0.063W	1	
	R8031	ERJ2RKF1001	D1BA1001A014	1	
	R8032	ERJ2RKF1001	D1BA1001A014	1	
	R8035	DOYAR0000007	M 0 OHM 1/4W	1	
	R8036	DOGBR00Z0002	M 0 OHM J 1/16W	1	
	R8056	ERJ2GEJ470	M 47 OHM, J,0.063W	1	
	R8057	ERJ2GEJ470	M 47 OHM, J,0.063W	1	
	R8058	ERJ2GEJ470	M 47 OHM, J,0.063W	1	
	R8059	ERJ2GEJ470	M 47 OHM, J,0.063W	1	
	R8060	ERJ2GEJ470	M 47 OHM, J,0.063W	1	
	R8061	ERJ2GEJ470	M 47 OHM, J,0.063W	1	
	R8062	ERJ2GEJ470	M 47 OHM, J,0.063W	1	
	R8063	ERJ2GEJ470	M 47 OHM, J,0.063W	1	
	R8064	ERJ2GEJ470	M 47 OHM, J,0.063W	1	
	R8065	ERJ2GEJ470	M 47 OHM, J,0.063W	1	
	R8066	ERJ2GEJ470	M 47 OHM, J,0.063W	1	
	R8067	ERJ2GEJ470	M 47 OHM, J,0.063W	1	
	R8068	ERJ2GEJ470	M 47 OHM, J,0.063W	1	
	R8069	ERJ2GEJ470	M 47 OHM, J,0.063W	1	
	R8070	ERJ2GEJ470	M 47 OHM, J,0.063W	1	
	R8071	ERJ2GEJ470	M 47 OHM, J,0.063W	1	
	R8072	ERJ2GEJ470	M 47 OHM, J,0.063W	1	
	R8073	ERJ2GEJ470	M 47 OHM, J,0.063W	1	
	R8074	ERJ2GEJ221	M 220 OHM, J,0.063W	1	
	R8075	ERJ2GEJ470	M 47 OHM, J,0.063W	1	
	R8076	ERJ2GEJ470	M 47 OHM, J,0.063W	1	
	R8077	ERJ2GEJ470	M 47 OHM, J,0.063W	1	
	R8078	ERJ2GEJ470	M 47 OHM, J,0.063W	1	
	R8081	ERJ2GEJ103	M 10KOHM, J,0.063W	1	
	R8082	D1BA75R0A014	M0.75KOHM, 1/10W	1	
	R8083	ERJ2GEJ301	M 300 OHM, J,0.063W	1	
	R8086	ERJ2GEJ104	M 100KOHM, J,0.063W	1	
	R8088	ERJ2GEJ103	M 10KOHM, J,0.063W	1	
	R8090	ERJ2GEJ103	M 10KOHM, J,0.063W	1	
	R8091	ERJ2GEJ101	M 100 OHM, J,0.063W	1	
	R8093	ERJ2GEJ470	M 47 OHM, J,0.063W	1	
	R8095	ERJ2GEJ103	M 10KOHM, J,0.063W	1	
	R8097	ERJ2GEJ221	M 220 OHM, J,0.063W	1	
	R8100	ERJ2GEJ470	M 47 OHM, J,0.063W	1	
	R8101	ERJ2GEJ103	M 10KOHM, J,0.063W	1	
	R8109	ERJ2GEJ470	M 47 OHM, J,0.063W	1	
	R8194	ERJ2GEJ680	M 68 OHM, J,0.063W	1	

Safety	Ref. No.	Part No.	Part Name & Description	Pcs	Remarks
	R8195	ERJ2GEJ680	M 68 OHM, J,0.063W	1	
	R8196	ERJ2GEJ102X	M 1K OHM J 1/4W	1	
	R8208	ERJ2GEJ680	M 68 OHM, J,0.063W	1	
	R8242	DOYAR0000007	M 0 OHM 1/4W	1	
	R8250	ERJ2GEJ103	M 10KOHM, J,0.063W	1	
	R8255	ERJ2GEJ103	M 10KOHM, J,0.063W	1	
	R8260	ERJ2GEJ102X	M 1K OHM J 1/4W	1	
	R8264	ERJ2GEJ103	M 10KOHM, J,0.063W	1	
	R8266	ERJ2GEJ103	M 10KOHM, J,0.063W	1	
	R8267	EXB2HV103JV	RESISTOR ARRAY	1	
	R8268	ERJ2GEJ103	M 10KOHM, J,0.063W	1	
	R8269	ERJ2GEJ103	M 10KOHM, J,0.063W	1	
	R8272	ERJ2GEJ103	M 10KOHM, J,0.063W	1	
	R8273	ERJ2GEJ103	M 10KOHM, J,0.063W	1	
	R8279	ERJ2GEJ680	M 68 OHM, J,0.063W	1	
	R8280	ERJ2GEJ102X	M 1K OHM J 1/4W	1	
	R8285	ERJ2GEJ103	M 10KOHM, J,0.063W	1	
	R8301	EXB2HV680J	RESISTOR ARRAY	1	
	R8305	ERJ2GEJ223	M 22KOHM, J,0.063W	1	
	R8306	ERJ2GEJ472	M 4.7KOHM, J,0.063W	1	
	R8307	ERJ2GEJ472	M 4.7KOHM, J,0.063W	1	
	R8308	ERJ2GEJ103	M 10KOHM, J,0.063W	1	
	R8310	ERJ2GEJ220	M 22 OHM, J,0.063W	1	
	R8311	ERJ2GEJ220	M 22 OHM, J,0.063W	1	
	R8318	ERJ2GEJ472	M 4.7KOHM, J,0.063W	1	
	R8321	ERJ2GEJ103	M 10KOHM, J,0.063W	1	
	R8322	ERJ2GEJ102X	M 1K OHM J 1/4W	1	
	R8323	ERJ2GEJ473	M 47KOHM, J,0.063W	1	
	R8324	ERJ2GEJ473	M 47KOHM, J,0.063W	1	
	R8325	ERJ2GEJ100	M 10 OHM, J,0.063W	1	
	R8326	ERJ2GEJ680	M 68 OHM, J,0.063W	1	
	R8327	ERJ2GEJ680	M 68 OHM, J,0.063W	1	
	R8328	ERJ2GEJ103	M 10KOHM, J,0.063W	1	
	R8329	ERJ2GEJ473	M 47KOHM, J,0.063W	1	
	R8332	EXB2HV101J	RESISTOR ARRAY	1	
	R8333	EXB2HV101J	RESISTOR ARRAY	1	
	R8335	EXB2HV680J	RESISTOR ARRAY	1	
	R8336	EXB2HV680J	RESISTOR ARRAY	1	
	R8337	EXB28V680JX	RESISTOR ARRAY	1	
	R8338	ERJ2GEJ680	M 68 OHM, J,0.063W	1	
	R8339	ERJ2GEJ680	M 68 OHM, J,0.063W	1	
	R8345	ERJ2GEJ103	M 10KOHM, J,0.063W	1	
	R8347	DOYAR0000007	M 0 OHM 1/4W	1	
	R8353	ERJ2GEJ101	M 100 OHM, J,0.063W	1	
	R8354	ERJ2GEJ101	M 100 OHM, J,0.063W	1	
	R8356	DOYAR0000007	M 0 OHM 1/4W	1	

Safety	Ref. No.	Part No.	Part Name & Description	Pcs	Remarks
	R8361	ERJ2GEJ680	M 68 OHM, J, 0.063W	1	
	R8362	ERJ2GEJ680	M 68 OHM, J, 0.063W	1	
	R8404	ERJ2GEJ103	M 10KOHM, J, 0.063W	1	
	R8405	ERJ2GEJ103	M 10KOHM, J, 0.063W	1	
	R8406	D0GFR10JA020	M 1 OHM, J, 0.33W	1	PAVCCZ
	R8407	ERJ2GEJ473	M 47KOHM, J, 0.063W	1	
	R8410	ERJ2GEJ223	M 22KOHM, J, 0.063W	1	
	R8411	ERJ2GEJ223	M 22KOHM, J, 0.063W	1	
	R8416	ERJ2GEJ223	M 22KOHM, J, 0.063W	1	
	R8417	ERJ2GEJ104	M 100KOHM, J, 0.063W	1	
	R8418	ERJ2GEJ681	M 680 OHM, J, 0.063W	1	
	R8421	ERJ2GEJ680	M 68 OHM, J, 0.063W	1	
	R8422	ERJ2GEJ680	M 68 OHM, J, 0.063W	1	
	R8423	ERJ2GEJ680	M 68 OHM, J, 0.063W	1	
	R8424	ERJ2GEJ680	M 68 OHM, J, 0.063W	1	
	R8425	ERJ2GEJ680	M 68 OHM, J, 0.063W	1	
	R8430	ERJ2GEJ101	M 100 OHM, J, 0.063W	1	
	R8431	ERJ2GEJ151	M 150 OHM, J, 0.063W	1	
	R8432	ERJ2GEJ151	M 150 OHM, J, 0.063W	1	
	R8433	ERJ2GEJ223	M 22KOHM, J, 0.063W	1	
	R8434	ERJ2GEJ473	M 47KOHM, J, 0.063W	1	
	R8435	ERJ2GEJ103	M 10KOHM, J, 0.063W	1	
	R8436	ERJ2GEJ103	M 10KOHM, J, 0.063W	1	
	R8437	EXB2HV104JV	RESISTOR ARRAY	1	
	R8438	ERJ2GEJ104	M 100KOHM, J, 0.063W	1	
	R8439	ERJ2GEJ680	M 68 OHM, J, 0.063W	1	
	R8440	ERJ2GEJ104	M 100KOHM, J, 0.063W	1	
	R8441	EXB2HV680J	RESISTOR ARRAY	1	
	R8442	ERJ2GEJ680	M 68 OHM, J, 0.063W	1	
	R8443	EXB2HV680J	RESISTOR ARRAY	1	
	R8445	ERJ2GEJ104	M 100KOHM, J, 0.063W	1	
	R8446	ERJ2GEJ680	M 68 OHM, J, 0.063W	1	
	R8449	ERJ2GEJ680	M 68 OHM, J, 0.063W	1	
	R8450	ERJ2GEJ103	M 10KOHM, J, 0.063W	1	
	R8454	EXB28V151J	RESISTOR ARRAY	1	
	R8456	ERJ2GEJ680	M 68 OHM, J, 0.063W	1	
	R8457	ERJ2GEJ680	M 68 OHM, J, 0.063W	1	
	R8458	ERJ2GEJ680	M 68 OHM, J, 0.063W	1	
	R8459	ERJ2GEJ680	M 68 OHM, J, 0.063W	1	
	R8460	ERJ2GEJ680	M 68 OHM, J, 0.063W	1	
	R8461	ERJ2GEJ680	M 68 OHM, J, 0.063W	1	
	R8463	EXB28V151J	RESISTOR ARRAY	1	
	R8465	ERJ2GEJ103	M 10KOHM, J, 0.063W	1	

Safety	Ref. No.	Part No.	Part Name & Description	Pcs	Remarks
	R8466	ERJ2GEJ103	M 10KOHM, J, 0.063W	1	
	R8468	D0YAR0000007	M 0 OHM 1/4W	1	
	R8471	ERJ2GEJ103	M 10KOHM, J, 0.063W	1	
	R8476	ERJ2GEJ103	M 10KOHM, J, 0.063W	1	
	R8477	ERJ2GEJ103	M 10KOHM, J, 0.063W	1	
	R8479	ERJ2GEJ103	M 10KOHM, J, 0.063W	1	
	R8501	ERJ2GEJ101	M 100 OHM, J, 0.063W	1	
	R8502	ERJ2GEJ331	M 330 OHM, J, 0.063W	1	
	R8503	ERJ2GEJ331	M 330 OHM, J, 0.063W	1	
	R8504	ERJ2GEJ331	M 330 OHM, J, 0.063W	1	
	R8506	ERJ2GEJ331	M 330 OHM, J, 0.063W	1	
	R8510	D1BB1600A055		1	PAVCCZ
	R8556	ERJ2GEJ103	M 10KOHM, J, 0.063W	1	
	R8564	ERJ2GEJ103	M 10KOHM, J, 0.063W	1	
	R8567	ERJ2GEJ103	M 10KOHM, J, 0.063W	1	
	R8603	ERJ2GEJ473	M 47KOHM, J, 0.063W	1	
	R8605	ERJ2GEJ680	M 68 OHM, J, 0.063W	1	
	R8657	ERJ2GEJ103	M 10KOHM, J, 0.063W	1	
	R8658	ERJ2GEJ220	M 22 OHM, J, 0.063W	1	
	R8659	ERJ2GEJ103	M 10KOHM, J, 0.063W	1	
	R8710	ERJ2GEJ680	M 68 OHM, J, 0.063W	1	
	R8751	ERJ2GEJ102X	M 1K OHM J 1/4W	1	
	R8802	ERJ2GEJ103	M 10KOHM, J, 0.063W	1	
	R8803	ERJ2GEJ103	M 10KOHM, J, 0.063W	1	
	R8804	ERJ2GEJ103	M 10KOHM, J, 0.063W	1	
	R8805	ERJ2GEJ103	M 10KOHM, J, 0.063W	1	
	R8806	ERJ2GEJ103	M 10KOHM, J, 0.063W	1	
	R8807	ERJ2GEJ103	M 10KOHM, J, 0.063W	1	
	R8808	ERJ2GEJ103	M 10KOHM, J, 0.063W	1	
	R8809	ERJ2GEJ103	M 10KOHM, J, 0.063W	1	
	R8810	EXB28VR000X	RESISTOR ARRAY	1	
	R8811	D0YAR0000007	M 0 OHM 1/4W	1	
	R8812	D0YAR0000007	M 0 OHM 1/4W	1	
	R8813	EXB28V680JX	RESISTOR ARRAY	1	
	R8814	ERJ2GEJ680	M 68 OHM, J, 0.063W	1	
	R8815	ERJ2GEJ680	M 68 OHM, J, 0.063W	1	
	R8816	ERJ2GEJ680	M 68 OHM, J, 0.063W	1	
	R8817	ERJ2GEJ680	M 68 OHM, J, 0.063W	1	
	R8833	D0GBR00Z0002	M 0 OHM J 1/16W	1	
	R8851	D0YAR0000007	M 0 OHM 1/4W	1	
	R8852	D0YAR0000007	M 0 OHM 1/4W	1	
	R8853	D0YAR0000007	M 0 OHM 1/4W	1	
	R8855	ERJ2GEJ680	M 68 OHM, J, 0.063W	1	
	R8856	ERJ2GEJ680	M 68 OHM, J, 0.063W	1	
	R8857	ERJ2GEJ680	M 68 OHM, J, 0.063W	1	

Safety	Ref. No.	Part No.	Part Name & Description	Pcs	Remarks
	R8858	ERJ2GEJ680	M 68 OHM, J, 0.063W	1	
	R8859	ERJ2GEJ680	M 68 OHM, J, 0.063W	1	
	R8860	ERJ2GEJ680	M 68 OHM, J, 0.063W	1	
	R8861	ERJ2GEJ103	M 10KOHM, J, 0.063W	1	
	R8862	ERJ2GEJ680	M 68 OHM, J, 0.063W	1	
	R8863	ERJ2GEJ680	M 68 OHM, J, 0.063W	1	
	R8864	ERJ2GEJ680	M 68 OHM, J, 0.063W	1	
	R8865	EXB2HV680J	RESISTOR ARRAY	1	
	R8866	EXB2HV680J	RESISTOR ARRAY	1	
	R8867	EXB2HV680J	RESISTOR ARRAY	1	
	R8868	ERJ2GEJ680	M 68 OHM, J, 0.063W	1	
	R8871	ERJ2GEJ103	M 10KOHM, J, 0.063W	1	
	R8873	ERJ2GEJ103	M 10KOHM, J, 0.063W	1	
	R8875	ERJ2GEJ103	M 10KOHM, J, 0.063W	1	
	R8876	ERJ2GEJ103	M 10KOHM, J, 0.063W	1	
	R8877	ERJ2GEJ680	M 68 OHM, J, 0.063W	1	
	R8878	ERJ2GEJ680	M 68 OHM, J, 0.063W	1	
	R8879	ERJ2GEJ680	M 68 OHM, J, 0.063W	1	
	R8880	ERJ2GEJ680	M 68 OHM, J, 0.063W	1	
	R8882	ERJ2GEJ680	M 68 OHM, J, 0.063W	1	
	R8883	ERJ2GEJ680	M 68 OHM, J, 0.063W	1	
	R8884	ERJ2GEJ680	M 68 OHM, J, 0.063W	1	
	R8885	ERJ2GEJ680	M 68 OHM, J, 0.063W	1	
	R8886	ERJ2GEJ680	M 68 OHM, J, 0.063W	1	
	R8887	ERJ2GEJ680	M 68 OHM, J, 0.063W	1	
	R8888	ERJ2GEJ680	M 68 OHM, J, 0.063W	1	
	R8889	ERJ2GEJ680	M 68 OHM, J, 0.063W	1	
	R8890	ERJ2GEJ680	M 68 OHM, J, 0.063W	1	
	R8891	ERJ2GEJ680	M 68 OHM, J, 0.063W	1	
	R8892	ERJ2GEJ680	M 68 OHM, J, 0.063W	1	
	R8894	ERJ2GEJ680	M 68 OHM, J, 0.063W	1	
	R8896	DOYAR0000007	M 0 OHM 1/4W	1	
	R8897	DOYAR0000007	M 0 OHM 1/4W	1	
	R8898	ERJ2GEJ103	M 10KOHM, J, 0.063W	1	
	R8900	ERJ2GEJ680	M 68 OHM, J, 0.063W	1	
	R8901	ERJ2GEJ680	M 68 OHM, J, 0.063W	1	
	R8904	ERJ2GEJ103	M 10KOHM, J, 0.063W	1	
	R8905	ERJ2GEJ103	M 10KOHM, J, 0.063W	1	
	R8906	ERJ2GEJ103	M 10KOHM, J, 0.063W	1	
	R8907	ERJ2GEJ103	M 10KOHM, J, 0.063W	1	
	R8908	ERJ2GEJ103	M 10KOHM, J, 0.063W	1	
	R8909	ERJ2GEJ103	M 10KOHM, J, 0.063W	1	

Safety	Ref. No.	Part No.	Part Name & Description	Pcs	Remarks
	R8910	ERJ2GEJ103	M 10KOHM, J, 0.063W	1	
	R8911	ERJ2GEJ680	M 68 OHM, J, 0.063W	1	
	R8912	ERJ2GEJ680	M 68 OHM, J, 0.063W	1	
	R8913	ERJ2GEJ680	M 68 OHM, J, 0.063W	1	
	R8914	ERJ2GEJ680	M 68 OHM, J, 0.063W	1	
	R8915	ERJ2GEJ680	M 68 OHM, J, 0.063W	1	
	R8916	ERJ2GEJ680	M 68 OHM, J, 0.063W	1	
	R8917	ERJ2GEJ680	M 68 OHM, J, 0.063W	1	
	R8918	ERJ2GEJ680	M 68 OHM, J, 0.063W	1	
	R8919	ERJ2GEJ472	M 4.7KOHM, J, 0.063W	1	
	R8920	ERJ2GEJ472	M 4.7KOHM, J, 0.063W	1	
	R8921	ERJ2GEJ472	M 4.7KOHM, J, 0.063W	1	
	R8922	ERJ2GEJ472	M 4.7KOHM, J, 0.063W	1	
	R8923	ERJ2GEJ332	M 3.3KOHM, J, 0.063W	1	
	R8924	ERJ2GEJ332	M 3.3KOHM, J, 0.063W	1	
	R8925	ERJ2GEJ472	M 4.7KOHM, J, 0.063W	1	
	R8926	ERJ2GEJ472	M 4.7KOHM, J, 0.063W	1	
	R8927	DOYAR0000007	M 0 OHM 1/4W	1	
	R8929	EXB2HVR000	RESISTOR ARRAY	1	
	R8935	ERJ2GEJ103	M 10KOHM, J, 0.063W	1	
	R8947	ERJ2GEJ680	M 68 OHM, J, 0.063W	1	
	R8952	EXB2HV680J	RESISTOR ARRAY	1	
	R8953	EXB2HV680J	RESISTOR ARRAY	1	
	R8954	ERJ2GEJ680	M 68 OHM, J, 0.063W	1	
	R8959	ERJ2GEJ680	M 68 OHM, J, 0.063W	1	
	R8960	ERJ2GEJ680	M 68 OHM, J, 0.063W	1	
	R8963	ERJ2GEJ103	M 10KOHM, J, 0.063W	1	
	R9062	ERJ2GEJ101	M 100 OHM, J, 0.063W	1	
	R9063	ERJ2GEJ101	M 100 OHM, J, 0.063W	1	
	R9064	ERJ2GEJ101	M 100 OHM, J, 0.063W	1	
	R9065	ERJ2GEJ101	M 100 OHM, J, 0.063W	1	
	R9066	ERJ2GEJ101	M 100 OHM, J, 0.063W	1	
	R9067	ERJ2GEJ101	M 100 OHM, J, 0.063W	1	
	R9068	ERJ2GEJ103	M 10KOHM, J, 0.063W	1	
	R9070	ERJ2GEJ103	M 10KOHM, J, 0.063W	1	
	R9071	ERJ2GEJ223	M 22KOHM, J, 0.063W	1	
	R9072	ERJ2GEJ102X	M 1K OHM J 1/4W	1	
	R9080	ERJ2GEJ103	M 10KOHM, J, 0.063W	1	
	R9085	ERJ2GEJ472	M 4.7KOHM, J, 0.063W	1	
	R9086	ERJ2GEJ472	M 4.7KOHM, J, 0.063W	1	
	R9088	ERJ2GEJ104	M 100KOHM, J, 0.063W	1	
	R9089	ERJ2GEJ103	M 10KOHM, J, 0.063W	1	

Safety	Ref. No.	Part No.	Part Name & Description	Pcs	Remarks
	R9090	ERJ2GEJ103	M 10KOHM, J,0.063W	1	
	R9091	ERJ2GEJ472	M 4.7KOHM, J,0.063W	1	
	R9105	ERJ2GEJ103	M 10KOHM, J,0.063W	1	
	R9107	ERJ2GEJ332	M 3.3KOHM, J,0.063W	1	
	R9110	ERJ2GEJ101	M 100 OHM, J,0.063W	1	
	R9116	ERJ2GEJ101	M 100 OHM, J,0.063W	1	
	R9119	EXB38V470J	RESISTOR ARRAY	1	
	R9121	ERJ2GEJ104	M 100KOHM, J,0.063W	1	
	R9122	EXB38V103JV	RESISTOR ARRAY	1	
	R9123	ERJ2GEJ102X	M 1K OHM J 1/4W	1	
	R9124	ERJ2GEJ470	M 47 OHM, J,0.063W	1	
	R9125	ERJ2GEJ102X	M 1K OHM J 1/4W	1	
	R9126	ERJ2GEJ102X	M 1K OHM J 1/4W	1	
	R9127	ERJ2GEJ683	M 68KOHM, J,0.063W	1	
	R9128	D0GDR00Z0002	M 0 OHM, 1/10W	1	
	R9129	ERJ2GEJ473	M 47KOHM, J,0.063W	1	
	R9130	ERJ2GEJ470	M 47 OHM, J,0.063W	1	
	R9131	ERJ2GEJ104	M 100KOHM, J,0.063W	1	
	R9132	ERJ2GEJ472	M 4.7KOHM, J,0.063W	1	
	R9133	ERJ2GEJ102X	M 1K OHM J 1/4W	1	
	R9134	ERJ2GEJ333	M 33KOHM, J,0.063W	1	
	R9141	ERJ2GEJ101	M 100 OHM, J,0.063W	1	
	R9142	ERJ2GEJ101	M 100 OHM, J,0.063W	1	
	R9149	ERJ2GEJ472	M 4.7KOHM, J,0.063W	1	
	R9158	ERJ2GEJ103	M 10KOHM, J,0.063W	1	
	R9159	ERJ2GEJ103	M 10KOHM, J,0.063W	1	
	R9161	ERJ2GEJ101	M 100 OHM, J,0.063W	1	
	R9162	ERJ2GEJ103	M 10KOHM, J,0.063W	1	
	R9163	ERJ2GEJ103	M 10KOHM, J,0.063W	1	
	R9164	ERJ2GEJ103	M 10KOHM, J,0.063W	1	
	R9166	ERJ2GEJ103	M 10KOHM, J,0.063W	1	
	R9170	ERJ2GEJ393	M 39KOHM, J,0.063W	1	
	R9171	ERJ2GEJ393	M 39KOHM, J,0.063W	1	
	R9172	ERJ2GEJ393	M 39KOHM, J,0.063W	1	
	R9187	ERJ2GEJ472	M 4.7KOHM, J,0.063W	1	
	R9188	ERJ2GEJ472	M 4.7KOHM, J,0.063W	1	
	R9189	ERJ2GEJ103	M 10KOHM, J,0.063W	1	
	R9203	ERJ2GEJ223	M 22KOHM, J,0.063W	1	
	R9205	ERJ2GEJ333	M 33KOHM, J,0.063W	1	
	R9206	ERJ2GED563X	M 56KOHM, J,0.063W	1	
	R9207	ERJ2GEJ243	M 24KOHM, J,0.063W	1	
	R9215	ERJ2GEJ104	M 100KOHM, J,0.063W	1	
	R9223	ERJ2GEJ222	M 2.2KOHM, J,0.063W	1	

Safety	Ref. No.	Part No.	Part Name & Description	Pcs	Remarks
	R9225	ERJ2GEJ222	M 2.2KOHM, J,0.063W	1	
	R9317	ERJ2GEJ102X	M 1K OHM J 1/4W	1	
	R9347	EXB2HV220JV	RESISTOR ARRAY	1	
	R9348	EXB2HV220JV	RESISTOR ARRAY	1	
	R9350	ERJ2GEJ470	M 47 OHM, J,0.063W	1	
	R9351	ERJ2GEJ470	M 47 OHM, J,0.063W	1	
	R9352	EXB2HV470JV	RESISTOR ARRAY	1	
	R9353	EXB2HV220JV	RESISTOR ARRAY	1	
	R9354	EXB2HV220JV	RESISTOR ARRAY	1	
	R9355	EXB2HV470JV	RESISTOR ARRAY	1	
	R9356	EXB2HV220JV	RESISTOR ARRAY	1	
	R9357	EXB2HV220JV	RESISTOR ARRAY	1	
	R9358	EXB2HV470JV	RESISTOR ARRAY	1	
	R9359	EXB2HV470JV	RESISTOR ARRAY	1	
	R9361	ERJ2GEJ470	M 47 OHM, J,0.063W	1	
	R9362	ERJ2GEJ470	M 47 OHM, J,0.063W	1	
	R9369	ERJ2GEJ472	M 4.7KOHM, J,0.063W	1	
	R9370	ERJ2GEJ103	M 10KOHM, J,0.063W	1	
	R9371	ERJ2GEJ104	M 100KOHM, J,0.063W	1	
	R9385	ERJ2GEJ472	M 4.7KOHM, J,0.063W	1	
	R9391	ERJ2GEJ104	M 100KOHM, J,0.063W	1	
	R9396	ERJ2GEJ470	M 47 OHM, J,0.063W	1	
	R9397	ERJ2GEJ470	M 47 OHM, J,0.063W	1	
	R9398	ERJ2GEJ470	M 47 OHM, J,0.063W	1	
	R9399	ERJ2GEJ470	M 47 OHM, J,0.063W	1	
	R9401	ERJ2GEJ102X	M 1K OHM J 1/4W	1	
	R9402	ERJ2GEJ470	M 47 OHM, J,0.063W	1	
	R9403	EXB2HV103JV	RESISTOR ARRAY	1	
	R9404	EXB2HV103JV	RESISTOR ARRAY	1	
	R9405	EXB2HV103JV	RESISTOR ARRAY	1	
	R9406	EXB2HV103JV	RESISTOR ARRAY	1	
	R9578	ERJ2GEJ472	M 4.7KOHM, J,0.063W	1	
	R9586	ERJ2GEJ470	M 47 OHM, J,0.063W	1	
	R9587	ERJ2GEJ470	M 47 OHM, J,0.063W	1	
	R9588	ERJ2GEJ472	M 4.7KOHM, J,0.063W	1	
	R9598	ERJ2GEJ470	M 47 OHM, J,0.063W	1	
	R9604	ERJ2GEJ103	M 10KOHM, J,0.063W	1	
	R9608	EXB2HV470JV	RESISTOR ARRAY	1	
	R9609	EXB2HV470JV	RESISTOR ARRAY	1	
	R9610	EXB2HV470JV	RESISTOR ARRAY	1	
	R9611	ERJ2GEJ680	M 68 OHM, J,0.063W	1	
	R9616	ERJ2GEJ470	M 47 OHM, J,0.063W	1	
	R9618	ERJ2GEJ331	M 330 OHM, J,0.063W	1	
	R9828	ERJ2GEJ473	M 47KOHM, J,0.063W	1	
	R9839	EXB38V101JV	RESISTOR ARRAY	1	
	R9846	EXB2HV103JV	RESISTOR ARRAY	1	
	R9847	EXB2HV103JV	RESISTOR ARRAY	1	
	R9848	EXB2HV470JV	RESISTOR ARRAY	1	
	R9849	EXB2HV470JV	RESISTOR ARRAY	1	
	R9854	D0YAR0000007	M 0 OHM 1/4W	1	
	R9868	ERJ2GEJ104	M 100KOHM, J,0.063W	1	

Safety	Ref. No.	Part No.	Part Name & Description	Pcs	Remarks
	R9869	ERJ2GEJ103	M 10KOHM, J, 0.063W	1	
	R9870	ERJ2GEJ103	M 10KOHM, J, 0.063W	1	
	R9871	ERJ2GEJ103	M 10KOHM, J, 0.063W	1	
	R9878	D1BB1502A055	M 15KOHM, 1/10W	1	
	R9879	D1BB1302A055	M 13KOHM, 1/10W	1	
	R9886	D1BB4702A055	M 47KOHM, 1/10W	1	
	R9887	D1BB5102A055	M 51KOHM, 1/10W	1	
	R9888	D1BB1502A055	M 15KOHM, 1/10W	1	
	R9889	D1BB1822A055	M18.2KOHM, 1/10W	1	
	R9890	D1BB4752A055	M47.5KOHM, 1/10W	1	
	R9891	D1BB1272A055	M12.7KOHM, 1/10W	1	
	R9892	ERJ2GEJ104	M 100KOHM, J, 0.063W	1	
	R9893	D1BB4302A055	M 43KOHM, 1/10W	1	
	R9894	D1BB2002A055	M 20KOHM, 1/10W	1	
	R9895	ERJ2GEJ104	M 100KOHM, J, 0.063W	1	
	R9896	D1BB1822A055	M18.2KOHM, 1/10W	1	
	R9897	D1BB4752A055	M47.5KOHM, 1/10W	1	
	R9903	EXB2HV470JV	RESISTOR ARRAY	1	
	R9905	ERJ2RKD330	M 33 OHM, J, 2W	1	
	R9906	EXB38V470J	RESISTOR ARRAY	1	
	R9907	ERJ2GEJ151	M 150 OHM, J, 0.063W	1	
	R9936	D1BB1001A055	M 1KOHM, 1/16W	1	
	R9937	D1BB1001A055	M 1KOHM, 1/16W	1	
	R9938	D1BB1001A055	M 1KOHM, 1/16W	1	
	R9939	D1BB1001A055	M 1KOHM, 1/16W	1	
	R9940	ERJ2RKD330	M 33 OHM, J, 2W	1	
	R9943	EXB2HV470JV	RESISTOR ARRAY	1	
	R9944	EXB38V470J	RESISTOR ARRAY	1	
	R9945	EXB38V470J	RESISTOR ARRAY	1	
	R9946	EXB38V470J	RESISTOR ARRAY	1	
	R9947	EXB38V470J	RESISTOR ARRAY	1	
	R9948	EXB38V470J	RESISTOR ARRAY	1	
	R9949	EXB38V470J	RESISTOR ARRAY	1	
	R9950	EXB38V470J	RESISTOR ARRAY	1	
	R9951	EXB38V470J	RESISTOR ARRAY	1	
	R9952	ERJ2GEJ470	M 47 OHM, J, 0.063W	1	
	R9953	ERJ2GEJ470	M 47 OHM, J, 0.063W	1	
	R9954	ERJ2GEJ470	M 47 OHM, J, 0.063W	1	
	R9955	ERJ2GEJ470	M 47 OHM, J, 0.063W	1	
	R9956	DOGDR00Z0002	M 0 OHM, 1/10W	1	
	R9957	DOGDR00Z0002	M 0 OHM, 1/10W	1	
	R9958	DOGDR00Z0002	M 0 OHM, 1/10W	1	
	R9966	ERJ2GEJ681	M 680 OHM, J, 0.063W	1	
	R9967	ERJ2GEJ470	M 47 OHM, J, 0.063W	1	
	R9968	ERJ2GEJ470	M 47 OHM, J, 0.063W	1	
	R9969	ERJ2GEJ470	M 47 OHM, J, 0.063W	1	
	R9970	ERJ2GEJ470	M 47 OHM, J, 0.063W	1	
	R9972	ERJ2GEJ103	M 10KOHM, J, 0.063W	1	
	R9975	ERJ2GEJ470	M 47 OHM, J, 0.063W	1	
	R9977	ERJ2GEJ470	M 47 OHM, J, 0.063W	1	
	R9983	ERJ2GEJ470	M 47 OHM, J, 0.063W	1	
	R9986	ERJ2GEJ102X	M 1K OHM J 1/4W	1	
	R9988	ERJ2GEJ470	M 47 OHM, J, 0.063W	1	
	R9989	ERJ2GEJ332	M 3.3KOHM, J, 0.063W	1	
	R9990	ERJ2GEJ103	M 10KOHM, J, 0.063W	1	

Safety	Ref. No.	Part No.	Part Name & Description	Pcs	Remarks
	R14349	D0GD103JA036	M 10KOHM, J, 0.25W	1	
	R14901	D0GD101JA036	M 100 OHM, J, 0.25W	1	
	R14902	ERJ6GEYJ221V	M 220 OHM, J, 1/10W	1	
	R14903	ERJ6GEYJ221V	M 220 OHM, J, 1/10W	1	
	R14904	ERJ6GEYJ221V	M 220 OHM, J, 1/10W	1	
	R14905	ERJ6GEYJ221V	M 220 OHM, J, 1/10W	1	
	R14906	ERJ6GEYJ221V	M 220 OHM, J, 1/10W	1	
	R14907	ERJ3GEYJ220	M 22 OHM, J, 1/16W	1	
	R14908	ERJ3GEYJ220	M 22 OHM, J, 1/16W	1	
	R14909	ERJ3GEYJ220	M 22 OHM, J, 1/16W	1	
	R14910	ERJ3GEYJ220	M 22 OHM, J, 1/16W	1	
	R14911	D0GD103JA036	M 10KOHM, J, 0.25W	1	
	R14912	D0GD103JA036	M 10KOHM, J, 0.25W	1	
	R14913	D0GD103JA036	M 10KOHM, J, 0.25W	1	
	R14914	D0GD103JA036	M 10KOHM, J, 0.25W	1	
	R14915	ERJ3GEYJ220	M 22 OHM, J, 1/16W	1	
	R14916	D0GD103JA036	M 10KOHM, J, 0.25W	1	
	R14917	ERJ3GEYJ220	M 22 OHM, J, 1/16W	1	
	R14919	ERJ3GEYJ220	M 22 OHM, J, 1/16W	1	
	R14920	ERJ3GEYJ220	M 22 OHM, J, 1/16W	1	
	R14921	ERJ8GEYJ224V	M 220KOHM, J, 1/8W	1	
	R14923	D0GD103JA036	M 10KOHM, J, 0.25W	1	
	R14924	D0GD103JA036	M 10KOHM, J, 0.25W	1	
	R14925	D0GD103JA036	M 10KOHM, J, 0.25W	1	
	R14926	D0GD103JA036	M 10KOHM, J, 0.25W	1	
	R14927	ERJ3GEYJ220	M 22 OHM, J, 1/16W	1	
	R14943	ERJ6GEYJ470V	M 47 OHM, J, 1/10W	1	
	R14944	ERJ6GEYJ100V	M 10 OHM, J, 1/10W	1	
	R14945	DOGDR00Z0002	M 0 OHM, 1/10W	1	
	R14946	DOGDR00Z0002	M 0 OHM, 1/10W	1	
	R14947	DOGDR00Z0002	M 0 OHM, 1/10W	1	
	R14948	DOGDR00Z0002	M 0 OHM, 1/10W	1	
	R14949	ERJ6GEYJ203	M 20KOHM, J, 1/10W	1	
	R14950	D0GD103JA036	M 10KOHM, J, 0.25W	1	
	R14951	ERJ6GEYJ221V	M 220 OHM, J, 1/10W	1	
	R14952	ERJ6GEYJ221V	M 220 OHM, J, 1/10W	1	
	R14953	ERJ6GEYJ221V	M 220 OHM, J, 1/10W	1	
	R14954	ERJ6GEYJ221V	M 220 OHM, J, 1/10W	1	
	R14955	ERJ6GEYJ221V	M 220 OHM, J, 1/10W	1	
	R14956	ERJ3GEYJ220	M 22 OHM, J, 1/16W	1	
	R14957	ERJ3GEYJ220	M 22 OHM, J, 1/16W	1	
	R14958	ERJ3GEYJ220	M 22 OHM, J, 1/16W	1	
	R14959	ERJ3GEYJ220	M 22 OHM, J, 1/16W	1	
	R14960	ERJ3GEYJ220	M 22 OHM, J, 1/16W	1	
	R14961	ERJ6GEYJ331V	M 330 OHM J 1/10W	1	
	R14962	ERJ6GEYJ331V	M 330 OHM J 1/10W	1	
	R14963	ERJ6GEYJ331V	M 330 OHM J 1/10W	1	
	R14964	ERJ3GEYJ220	M 22 OHM, J, 1/16W	1	
	R14965	ERJ6GEYJ331V	M 330 OHM J 1/10W	1	
	R14966	ERJ3GEYJ220	M 22 OHM, J, 1/16W	1	
	R14967	ERJ3GEYJ220	M 22 OHM, J, 1/16W	1	
	R14968	D0GD103JA036	M 10KOHM, J, 0.25W	1	
	R14969	ERJ6GEYJ332V	M 3.3K OHM J 1/10W	1	
	R14970	ERJ6GEYJ472V	M 4.7K OHM J 1/10W	1	
	R14971	ERJT06J103V	M 10KOHM, F, 0.25W	1	
	R14972	ERJT06J103V	M 10KOHM, F, 0.25W	1	
	R14973	ERJ3GEYJ470	M 47 OHM, J, 1/16W	1	
	R14974	ERJ3GEYJ470	M 47 OHM, J, 1/16W	1	

Safety	Ref. No.	Part No.	Part Name & Description	Pcs	Remarks
	R14975	ERJ3GEYJ470	M 47 OHM,J,1/16W	1	
	R14976	ERJ3GEYJ470	M 47 OHM,J,1/16W	1	
	R14977	ERJ6GEYJ222V	M 2.2K OHM J 1/10W	1	
	R14978	ERJ6GEYJ222V	M 2.2K OHM J 1/10W	1	
	R14979	ERJ6GEYJ222V	M 2.2K OHM J 1/10W	1	
	R14980	ERJ6GEYJ221V	M 220 OHM,J,1/10W	1	
	R14981	DOGD103JA036	M 10KOHM,J,0.25W	1	
	R14982	DOGD103JA036	M 10KOHM,J,0.25W	1	
	R14984	DOGD103JA036	M 10KOHM,J,0.25W	1	
	R14986	ERJ8GEYJ224V	M 220KOHM, J,1/8W	1	
	R14987	ERJ3GEYJ470	M 47 OHM,J,1/16W	1	
	R14988	ERJ6GEYJ222V	M 2.2K OHM J 1/10W	1	
	R14989	ERJ6ENF1502	M 15KOHM, 1/10W	1	
	R14990	DOGD103JA036	M 10KOHM,J,0.25W	1	
	R14991	ERJ3GEYJ220	M 22 OHM,J,1/16W	1	
	R14992	ERJ3GEYJ470	M 47 OHM,J,1/16W	1	
	R14993	ERJ3GEYJ470	M 47 OHM,J,1/16W	1	
	R14994	ERJ3GEYJ470	M 47 OHM,J,1/16W	1	
	R14995	DOGD103JA036	M 10KOHM,J,0.25W	1	
	R14996	DOGD103JA036	M 10KOHM,J,0.25W	1	
	R14997	DOGD103JA036	M 10KOHM,J,0.25W	1	
	R14998	DOGD103JA036	M 10KOHM,J,0.25W	1	
	R16001	ERJT08J7R5V	M 7.5OHM,J,0.33W	1	
	R16002	ERJT08J7R5V	M 7.5OHM,J,0.33W	1	
	R16021	ERJT08J7R5V	M 7.5OHM,J,0.33W	1	
	R16022	ERJT08J7R5V	M 7.5OHM,J,0.33W	1	
	R16031	ERJ6ENF8202	M 82KOHM, 1/10W	1	
	R16032	ERJ6ENF8202	M 82KOHM, 1/10W	1	
	R16033	ERJ6ENF5602	M 56KOHM, 1/10W	1	
	R16034	ERJ6ENF2702	M 27KOHM, 1/10W	1	
	R16041	ERJT08J5R6V	M 5.6 OHM,F,0.33W	1	
	R16051	ERJT08J5R6V	M 5.6 OHM,F,0.33W	1	
	R16101	ERJT06J221V	M 220 OHM,F,0.25W	1	
	R16102	ERJT06J221V	M 220 OHM,F,0.25W	1	
	R16103	ERJT06J100V	M 10 OHM,F,0.25W	1	
	R16104	ERJT06J100V	M 10 OHM,F,0.25W	1	
	R16105	ERJ8GEYJ474	M 470KOHM, J,1/8W	1	
	R16109	ERJT06J100V	M 10 OHM,F,0.25W	1	
	R16110	ERJ6GEYF473	M 47KOHM,J,1/10W	1	
	R16116	ERJ6GEYF473	M 47KOHM,J,1/10W	1	
	R16131	DOGD101JA036	M 100 OHM,J,0.25W	1	
	R16132	DOGD101JA036	M 100 OHM,J,0.25W	1	
	R16134	ERJT06J750V	M 75 OHM,F,0.25W	1	
	R16137	ERJT08J1R0V	M 1.8OHM,J,0.33W	1	
	R16141	ERJT06J100V	M 10 OHM,F,0.25W	1	
	R16142	ERJ6GEYF473	M 47KOHM,J,1/10W	1	
	R16143	ERJ6GEYF473	M 47KOHM,J,1/10W	1	
	R16151	DOGD101JA036	M 100 OHM,J,0.25W	1	
	R16152	DOGD101JA036	M 100 OHM,J,0.25W	1	
	R16154	ERJT06J750V	M 75 OHM,F,0.25W	1	
	R16155	ERJT08J1R0V	M 1.8OHM,J,0.33W	1	
	R16159	ERJT08J1R0V	M 1.8OHM,J,0.33W	1	
	R16161	ERJT06J100V	M 10 OHM,F,0.25W	1	
	R16162	ERJ6GEYF473	M 47KOHM,J,1/10W	1	
	R16163	ERJ6GEYF473	M 47KOHM,J,1/10W	1	

Safety	Ref. No.	Part No.	Part Name & Description	Pcs	Remarks
	R16171	ERJT06J100V	M 10 OHM,F,0.25W	1	
	R16172	ERJ6GEYF473	M 47KOHM,J,1/10W	1	
	R16173	ERJ6GEYF473	M 47KOHM,J,1/10W	1	
	R16181	ERJT06J100V	M 10 OHM,F,0.25W	1	
	R16182	ERJ6GEYF473	M 47KOHM,J,1/10W	1	
	R16183	ERJ6GEYF473	M 47KOHM,J,1/10W	1	
	R16191	ERJ6GEYJ151V	M 150 OHM,J,1/10W	1	
	R16192	ERJ6GEYJ103V	M 10K OHM J 1/10W	1	
	R16195	ERJT08J1R0V	M 1.8OHM,J,0.33W	1	
	R16220	ERJ6GEYJ470V	M 47 OHM,J,1/10W	1	
	R16221	ERJ6GEYJ472V	M 4.7K OHM J 1/10W	1	
	R16230	ERJ6GEYJ470V	M 47 OHM,J,1/10W	1	
	R16231	ERJ6GEYJ472V	M 4.7K OHM J 1/10W	1	
	R16241	EXB38V470J	RESISTOR ARRAY	1	
	R16242	EXB38V472JV	RESISTOR ARRAY	1	
	R16251	ERJ6ENF1201	M 1.2KOHM, 1/10W	1	
	R16252	ERJ6ENF3902	M 39KOHM, 1/10W	1	
	R16253	ERJ6ENF3902	M 39KOHM, 1/10W	1	
	R16254	ERJ6ENF8201	M 8.2KOHM, 1/10W	1	
	R16255	ERJ6ENF1001	M 1KOHM, 1/10W	1	
	R16256	ERJ6ENF1801	M 1.8KOHM, 1/10W	1	
	R16257	DOGD273JA036	M 27KOHM,J,0.25W	1	
	R16258	ERJ6GEYJ103V	M 10K OHM J 1/10W	1	
	R16260	ERJ6GEYJ222V	M 2.2K OHM J 1/10W	1	
	R16261	ERJ6GEYJ104V	M 100KOHM,J,1/10W	1	
	R16280	ERJ6GEYJ222V	M 2.2K OHM J 1/10W	1	
	R16281	DOGD103JA036	M 10KOHM,J,0.25W	1	
	R16282	ERJ6GEYJ221V	M 220 OHM,J,1/10W	1	
	R16283	ERJ6GEYF473	M 47KOHM,J,1/10W	1	
	R16284	ERJ6GEYJ224	M 220KOHM,J,1/10W	1	
	R16285	ERJ6GEYJ623V	M 62KOHM,J,1/10W	1	
	R16286	ERJ6GEYJ623V	M 62KOHM,J,1/10W	1	
	R16289	ERJT08J334V	M 330KOHM,F,0.33W	1	
	R16290	ERJT08J334V	M 330KOHM,F,0.33W	1	
	R16300	ERJT08J102V	M 1KOHM,J,0.33W	1	
	R16301	ERJ6GEYJ472V	M 4.7K OHM J 1/10W	1	
	R16302	ERJ8GEYJ333	M 33KOHM, J,1/8W	1	
	R16303	DOGD101JA036	M 100 OHM,J,0.25W	1	
	R16304	ERJT08J751	M750 OHM,F,0.33W	1	
	R16305	ERJ6GEYJ271V	M 270 OHM J 1/10W	1	
	R16306	DOGD101JA036	M 100 OHM,J,0.25W	1	
	R16308	DOGD101JA036	M 100 OHM,J,0.25W	1	
	R16309	ERJ8GEYJ333	M 33KOHM, J,1/8W	1	
	R16310	ERJ6GEYJ223	M 22KOHM,J,1/10W	1	
	R16311	ERJ6GEYJ124V	M 120KOHM,J,1/10W	1	
	R16312	ERJ6GEYJ124V	M 120KOHM,J,1/10W	1	
	R16313	ERJ6ENF4752	M47.5KOHM, 1/10W	1	
	R16314	ERJ6ENF5602	M 56KOHM, 1/10W	1	
	R16315	ERJ6ENF1241	M1.24KOHM, 1/10W	1	
	R16316	ERJ6GEYJ103V	M 10K OHM J 1/10W	1	
	R16321	ERJ6GEYF473	M 47KOHM,J,1/10W	1	
	R16322	ERJ6GEYF561	M 560 OHM,F,1/10W	1	
	R16323	ERJ6GEYJ103V	M 10K OHM J 1/10W	1	
	R16324	ERJ6GEYF473	M 47KOHM,J,1/10W	1	

Safety	Ref. No.	Part No.	Part Name & Description	Pcs	Remarks
	R16331	ERJT06J101V	M 100 OHM,F,0.25W	1	
	R16333	ERJ6ENF3303	M 330KOHM, 1/10W	1	
	R16338	ERJT06J101V	M 100 OHM,F,0.25W	1	
	R16339	ERJ6ENF3303	M 330KOHM, 1/10W	1	
	R16401	ERJT08J7R5V	M 7.5OHM,J,0.33W	1	
	R16402	ERJT08J7R5V	M 7.5OHM,J,0.33W	1	
	R16410	ERJ6GEYG391	M 390 OHM,F,1/10W	1	
	R16411	ERJ6ENF2700	M 270 OHM, 1/10W	1	
	R16414	ERJ6GEYJ331V	M 330 OHM J 1/10W	1	
	R16415	ERJ6GEYJ331V	M 330 OHM J 1/10W	1	
	R16416	DOGD103JA036	M 10KOHM,J,0.25W	1	
	R16421	ERJT08J7R5V	M 7.5OHM,J,0.33W	1	
	R16422	ERJT08J7R5V	M 7.5OHM,J,0.33W	1	
	R16441	ERJT08J5R6V	M 5.6 OHM,F,0.33W	1	
	R16451	ERJT08J5R6V	M 5.6 OHM,F,0.33W	1	
	R16465	ERJ6ENF2702	M 27KOHM, 1/10W	1	
	R16466	ERJ6ENF5602	M 56KOHM, 1/10W	1	
	R16467	ERJ6ENF8202	M 82KOHM, 1/10W	1	
	R16468	ERJ6ENF8202	M 82KOHM, 1/10W	1	
	R16471	ERJ6GEYG392	M 3.9KOHM,J,1/10W	1	
	R16472	ERJ6GEYJ222V	M 2.2K OHM J 1/10W	1	
	R16473	ERJ6GEYF561	M 560 OHM,F,1/10W	1	
	R16474	ERJ6GEYJ102V	M 1K OHM J 1/10W	1	
	R16475	ERJ6GEYJ472V	M 4.7K OHM J 1/10W	1	
	R16476	ERJ6GEYJ472V	M 4.7K OHM J 1/10W	1	
	R16478	ERJ6GEYJ562V	M 5.6KOHM,J,1/10W	1	
	R16479	DOGD103JA036	M 10KOHM,J,0.25W	1	
	R16480	ERJ6GEYJ472V	M 4.7K OHM J 1/10W	1	
	R16501	DOGD101JA036	M 100 OHM,J,0.25W	1	
	R16502	DOGD101JA036	M 100 OHM,J,0.25W	1	
	R16503	ERJT06J100V	M 10 OHM,F,0.25W	1	
	R16504	ERJT06J750V	M 75 OHM,F,0.25W	1	
	R16506	ERJT06J100V	M 10 OHM,F,0.25W	1	
	R16509	ERJT08J1R0V	M 1.8OHM,J,0.33W	1	
	R16510	ERJT14J1R0U	C1.0 OHM, J,1/4W	1	
	R16511	ERJ6GEYF473	M 47KOHM,J,1/10W	1	
	R16512	ERJ6GEYF473	M 47KOHM,J,1/10W	1	
	R16516	ERJ6GEYF473	M 47KOHM,J,1/10W	1	
	R16517	ERJ6GEYF473	M 47KOHM,J,1/10W	1	
	R16521	DOGD101JA036	M 100 OHM,J,0.25W	1	
	R16522	DOGD101JA036	M 100 OHM,J,0.25W	1	
	R16523	ERJT06J750V	M 75 OHM,F,0.25W	1	
	R16531	ERJT06J100V	M 10 OHM,F,0.25W	1	
	R16532	ERJ6GEYF473	M 47KOHM,J,1/10W	1	
	R16533	ERJ6GEYF473	M 47KOHM,J,1/10W	1	
	R16534	ERJT08J1R0V	M 1.8OHM,J,0.33W	1	
	R16535	ERJT08J1R0V	M 1.8OHM,J,0.33W	1	
	R16536	ERJT08J1R0V	M 1.8OHM,J,0.33W	1	
	R16551	ERJT06J100V	M 10 OHM,F,0.25W	1	
	R16552	ERJ6GEYF473	M 47KOHM,J,1/10W	1	
	R16553	ERJ6GEYF473	M 47KOHM,J,1/10W	1	
	R16561	EXB38V470J	RESISTOR ARRAY	1	

Safety	Ref. No.	Part No.	Part Name & Description	Pcs	Remarks
	R16562	EXB38V470J	RESISTOR ARRAY	1	
	R16563	EXB38V470J	RESISTOR ARRAY	1	
	R16564	EXB38V470J	RESISTOR ARRAY	1	
	R16565	EXB38V472JV	RESISTOR ARRAY	1	
	R16566	EXB38V472JV	RESISTOR ARRAY	1	
	R16567	EXB38V472JV	RESISTOR ARRAY	1	
	R16568	EXB38V472JV	RESISTOR ARRAY	1	
	R16580	ERJ6GEYJ222V	M 2.2K OHM J 1/10W	1	
	R16582	ERJ6ENF3902	M 39KOHM, 1/10W	1	
	R16583	ERJ6ENF3902	M 39KOHM, 1/10W	1	
	R16584	ERJ6ENF8201	M 8.2KOHM, 1/10W	1	
	R16585	ERJ6ENF1001	M 1KOHM, 1/10W	1	
	R16586	ERJ6ENF1801	M 1.8KOHM, 1/10W	1	
	R16587	ERJ6GEYJ222V	M 2.2K OHM J 1/10W	1	
	R16588	DOGD103JA036	M 10KOHM,J,0.25W	1	
	R16590	ERJ6GEYJ221V	M 220 OHM,J,1/10W	1	
	R16591	EXB38V472JV	RESISTOR ARRAY	1	
	R16592	ERJ6GEYJ472V	M 4.7K OHM J 1/10W	1	
	R16593	ERJ6ENF1201	M 1.2KOHM, 1/10W	1	
	R16602	ERJ6GEYJ102V	M 1K OHM J 1/10W	1	
	R16604	ERJ6GEYJ331V	M 330 OHM J 1/10W	1	
	R16605	ERJ6GEYJ471	M 470 OHM,J,1/10W	1	
	R16606	DOGD103JA036	M 10KOHM,J,0.25W	1	
	R16607	ERJ6ENF6651	M6.65KOHM, 1/10W	1	
	R16608	ERJT08J102V	M 1KOHM,J, 0.33W	1	
	R16609	ERJT08J102V	M 1KOHM,J, 0.33W	1	
	R16610	ERJ6GEYJ104V	M 100KOHM,J,1/10W	1	
	R16611	ERJ8GEYJ683V	M 68KOHM, J,1/8W	1	
	R16612	ERJT06J470V	M 47 OHM,F,0.25W	1	
	R16613	ERG1FJS104D	M 100KOHM, J, 1W	1	
	R16614	ERJ8GEYJ683V	M 68KOHM, J,1/8W	1	
	R16615	ERJ6ENF1131	M1.13KOHM, 1/10W	1	
	R16617	ERJ6GEYJ222V	M 2.2K OHM J 1/10W	1	
	R16621	ERJ6GEYF561	M 560 OHM,F,1/10W	1	
	R16622	ERJ6GEYF561	M 560 OHM,F,1/10W	1	
	R16631	DOGD103JA036	M 10KOHM,J,0.25W	1	
	R16633	ERJ6GEYJ223	M 22KOHM,J,1/10W	1	
	R16634	ERJ6GEYJ221V	M 220 OHM,J,1/10W	1	
	R16638	DOGZ6R8JA020	M 6.8 OHM,J,0.5W	1	
	R16641	ERJT06J330V	M 33 OHM,F,0.25W	1	
	R16661	ERJ6GEYG182	M 1.8KOHM,J,1/10W	1	
	R16662	ERJ6ENF3001	M 3KOHM, 1/10W	1	
	R16663	DOGD103JA036	M 10KOHM,J,0.25W	1	
	R16664	ERJT08J102V	M 1KOHM,J, 0.33W	1	
	R16665	ERJT06J330V	M 33 OHM,F,0.25W	1	
	R16666	ERJ6GEYJ104V	M 100KOHM,J,1/10W	1	
	R16667	ERJ6GEYJ472V	M 4.7K OHM J 1/10W	1	
	R16668	ERJ6GEYF473	M 47KOHM,J,1/10W	1	
	R16669	ERJ6GEYJ472V	M 4.7K OHM J 1/10W	1	
	R16670	ERJT06J470V	M 47 OHM,F,0.25W	1	
	R16671	ERJ6GEYF473	M 47KOHM,J,1/10W	1	
	R16672	ERJ6GEYJ102V	M 1K OHM J 1/10W	1	
	R16674	ERJT08J102V	M 1KOHM,J, 0.33W	1	
	R16676	ERJ6GEYJ472V	M 4.7K OHM J 1/10W	1	
	R16677	ERJ6RBD152	M 1.5KOHM,J,1/10W	1	
	R16678	ERJ8GEYJ563	M 56KOHM, J,1/8W	1	
	R16681	ERJT06J100V	M 10 OHM,F,0.25W	1	
	R16682	ERJT06J100V	M 10 OHM,F,0.25W	1	

Safety	Ref. No.	Part No.	Part Name & Description	Pcs	Remarks
	R16684	ERJ6GEYJ221V	M 220 OHM, J, 1/10W	1	
	R16685	ERJ6GEYJ221V	M 220 OHM, J, 1/10W	1	
	R16696	ERF5TK2R2	W 2.2 OHM, K, 5W	1	
	R16700	ERJ6GEYJ472V	M 4.7K OHM J 1/10W	1	
	R16701	D0GD103JA036	M 10KOHM, J, 0.25W	1	
	R16702	ERJ6GEYJ332V	M 3.3K OHM J 1/10W	1	
	R16703	D0GD103JA036	M 10KOHM, J, 0.25W	1	
	R16704	D0GD103JA036	M 10KOHM, J, 0.25W	1	
	R16707	ERJ6GEYG392	M 3.9KOHM, J, 1/10W	1	
	R16711	ERJ6GEYJ472V	M 4.7K OHM J 1/10W	1	
	R16712	ERJ6GEYJ102V	M 1K OHM J 1/10W	1	
	R16717	ERJ6GEYJ102V	M 1K OHM J 1/10W	1	
	R16720	ERJ3GEYJ220	M 22 OHM, J, 1/16W	1	
	R16721	ERJ3GEYJ220	M 22 OHM, J, 1/16W	1	
	R16722	ERJ3GEYJ220	M 22 OHM, J, 1/16W	1	
	R16723	ERJ3GEYJ220	M 22 OHM, J, 1/16W	1	
	R16729	ERJ6GEYF473	M 47KOHM, J, 1/10W	1	
	R16730	ERJ6GEYF473	M 47KOHM, J, 1/10W	1	
	R16731	ERG1FJS823D	M 82KOHM, J, 1W	1	
	R16732	ERJ6GEYG392	M 3.9KOHM, J, 1/10W	1	
	R16733	ERJ6GEYJ474	M 470KOHM, J, 1/10W	1	
	R16734	ERJ6ENF4991	M4.99KOHM, 1/10W	1	
	R16735	ERJ6ENF2213	M 221KOHM, 1/10W	1	
	R16736	ERJ6ENF2213	M 221KOHM, 1/10W	1	
	R16737	ERJ6ENF2003	M 200KOHM, 1/10W	1	
	R16738	ERG1FJS823D	M 82KOHM, J, 1W	1	
	R16740	ERJ6GEYJ104V	M 100KOHM, J, 1/10W	1	
	R16744	ERJ6ENF2003	M 200KOHM, 1/10W	1	
	R16749	D0GD103JA036	M 10KOHM, J, 0.25W	1	
	R16750	ERJT06J223V	M 22 KOHM, F, 0.25W	1	
	R16751	ERJT06J224V	M 220KOHM, F, 0.25W	1	
	R16752	ERJ6GEYJ472V	M 4.7K OHM J 1/10W	1	
	R16753	ERJ6GEYF473	M 47KOHM, J, 1/10W	1	
	R16756	ERJT06J223V	M 22 KOHM, F, 0.25W	1	
	R16758	ERJ6ENF3241	M3.24KOHM, 1/10W	1	
	R16761	ERJT06J100V	M 10 OHM, F, 0.25W	1	
	R16762	ERJ6GEYF473	M 47KOHM, J, 1/10W	1	
	R16765	ERJT08J7R5V	M 7.5OHM, J, 0.33W	1	
	R16766	ERJT06J750V	M 75 OHM, F, 0.25W	1	
	R16769	ERJT06J750V	M 75 OHM, F, 0.25W	1	
	R16774	ERG1SJ683	M 68KOHM, J, 1W	1	
	R16775	ERJ6GEYJ472V	M 4.7K OHM J 1/10W	1	
	R16776	D0GD101JA036	M 100 OHM, J, 0.25W	1	
	R16777	ERJT06J151V	M 150 OHM, F, 0.25W	1	
	R16781	ERJT06J470V	M 47 OHM, F, 0.25W	1	
	R16782	ERJ6GEYF473	M 47KOHM, J, 1/10W	1	
	R16785	ERJ6ENF8202	M 82KOHM, 1/10W	1	
	R16786	ERJ6ENF8202	M 82KOHM, 1/10W	1	
	R16787	ERJ6ENF3302	M 33KOHM, 1/10W	1	
	R16788	ERJT06J154V	M 150KOHM, F, 0.25W	1	
	R16789	D0GD103JA036	M 10KOHM, J, 0.25W	1	
	R16791	ERJ6GEYJ102V	M 1K OHM J 1/10W	1	
	R16794	ERJ6ENF2003	M 200KOHM, 1/10W	1	
	R16795	ERJ6ENF2003	M 200KOHM, 1/10W	1	
	R16796	ERJ6ENF5602	M 56KOHM, 1/10W	1	
	R16822	ERJ6ENF8202	M 82KOHM, 1/10W	1	
	R16823	ERJ6ENF8202	M 82KOHM, 1/10W	1	
	R16824	ERJ6ENF3302	M 33KOHM, 1/10W	1	

Safety	Ref. No.	Part No.	Part Name & Description	Pcs	Remarks
	R16825	ERJT06J154V	M 150KOHM, F, 0.25W	1	
	R16826	D0GD103JA036	M 10KOHM, J, 0.25W	1	
	R16838	ERJ14YJ563U	M 56KOHM, 1/2W	1	
	R16841	ERJ14YJ563U	M 56KOHM, 1/2W	1	
	R16844	ERJ6ENF1241	M1.24KOHM, 1/10W	1	
	R16845	ERJ6ENF6202	M 62KOHM, 1/10W	1	
	R16846	ERJ6ENF6042	M60.4KOHM, 1/10W	1	
	R16851	ERJ6GEYJ104V	M 100KOHM, J, 1/10W	1	
	R16852	D0GD103JA036	M 10KOHM, J, 0.25W	1	
	R16855	ERG1FJS103D	M 10KOHM, J, 1W	1	
	R16856	ERQ12AJW560E	F 56 OHM, J, 1/2W	1	
	R16857	ERJ12YJ124U	M 120KOHM, 1/2W	1	
	R16858	ERJ6ENF2700	M 270 OHM, 1/10W	1	
	R16860	D0D28R2JA021	M 8.2 OHM, J, 2W	1	
	R16867	ERJ6GEYF473	M 47KOHM, J, 1/10W	1	
	R16870	ERG2FJS333D	M 33KOHM, J, 2W	1	
	R16871	ERJ6GEYG392	M 3.9KOHM, J, 1/10W	1	
	R16872	ERJ6GEYJ332V	M 3.3K OHM J 1/10W	1	
	R16873	ERJ6ENF2491	M2.49KOHM, 1/10W	1	
	R16874	ERJ6ENF7322	M73.2KOHM, 1/10W	1	
	R16875	ERJ6ENF7152	M71.5KOHM, 1/10W	1	
	R16886	ERJ6GEYJ224	M 220KOHM, J, 1/10W	1	
	R16887	ERJ6GEYJ224	M 220KOHM, J, 1/10W	1	
	R16888	ERJ6GEYJ224	M 220KOHM, J, 1/10W	1	
	R17119	EXB38V470J	RESISTOR ARRAY	1	
	R17121	EXB38V471J	RESISTOR ARRAY	1	
	R17122	EXB38V471J	RESISTOR ARRAY	1	
	R17126	D0GZ6R8JA020	M 6.8 OHM, J, 0.5W	1	
	R17127	D0GZ6R8JA020	M 6.8 OHM, J, 0.5W	1	
	R17131	EXB38V471J	RESISTOR ARRAY	1	
	R17132	EXB38V471J	RESISTOR ARRAY	1	
	R17136	D0GZ6R8JA020	M 6.8 OHM, J, 0.5W	1	
	R17137	D0GZ6R8JA020	M 6.8 OHM, J, 0.5W	1	
	R17141	EXB38V471J	RESISTOR ARRAY	1	
	R17142	EXB38V471J	RESISTOR ARRAY	1	
	R17146	D0GZ6R8JA020	M 6.8 OHM, J, 0.5W	1	
	R17147	D0GZ6R8JA020	M 6.8 OHM, J, 0.5W	1	
	R17151	EXB38V471J	RESISTOR ARRAY	1	
	R17152	EXB38V471J	RESISTOR ARRAY	1	
	R17155	EXB38V102J	RESISTOR ARRAY	1	
	R17156	D0GZ6R8JA020	M 6.8 OHM, J, 0.5W	1	
	R17157	D0GZ6R8JA020	M 6.8 OHM, J, 0.5W	1	
	R17159	EXB38V470J	RESISTOR ARRAY	1	
	R17161	D0GDR00Z0002	M 0 OHM, 1/10W	1	
	R17177	EXB38V102J	RESISTOR ARRAY	1	
	R17180	ERJ3GEYJ470	M 47 OHM, J, 1/16W	1	
	R17184	EXB38V470J	RESISTOR ARRAY	1	
	R17185	D0GB102JA041	M 1KOHM, J, 1/16W	1	
	R17191	D0GF472JA047	M 4.7KOHM, J, 0.33W	1	
	R17192	ERJ6GEYJ224	M 220KOHM, J, 1/10W	1	
	R17212	EXB38V471J	RESISTOR ARRAY	1	
	R17216	D0GZ6R8JA020	M 6.8 OHM, J, 0.5W	1	
	R17217	D0GZ6R8JA020	M 6.8 OHM, J, 0.5W	1	
	R17219	ERJ6GEYJ224	M 220KOHM, J, 1/10W	1	
	R17221	EXB38V471J	RESISTOR ARRAY	1	
	R17222	EXB38V471J	RESISTOR ARRAY	1	

Safety	Ref. No.	Part No.	Part Name & Description	Pcs	Remarks
	R17223	D0GZ6R8JA020	M 6.8 OHM,J, 0.5W	1	
	R17224	D0GZ6R8JA020	M 6.8 OHM,J, 0.5W	1	
	R17226	D0GZ6R8JA020	M 6.8 OHM,J, 0.5W	1	
	R17227	D0GZ6R8JA020	M 6.8 OHM,J, 0.5W	1	
	R17231	EXB38V471J	RESISTOR ARRAY	1	
	R17232	EXB38V471J	RESISTOR ARRAY	1	
	R17236	D0GZ6R8JA020	M 6.8 OHM,J, 0.5W	1	
	R17237	D0GZ6R8JA020	M 6.8 OHM,J, 0.5W	1	
	R17238	EXB38V471J	RESISTOR ARRAY	1	
	R17245	EXB38V102J	RESISTOR ARRAY	1	
	R17249	EXB38V470J	RESISTOR ARRAY	1	
	R17250	EXB38V470J	RESISTOR ARRAY	1	
	R17257	ERJ3GEYJ470	M 47 OHM,J,1/16W	1	
	R17258	EXB38V102J	RESISTOR ARRAY	1	
	R17261	D0GDR00Z0002	M 0 OHM, 1/10W	1	
	R17269	D0GF472JA047	M 4.7KOHM,J, 0.33W	1	
	R17278	EXB38V471J	RESISTOR ARRAY	1	
	R17279	EXB38V471J	RESISTOR ARRAY	1	
	R17280	D0GB102JA041	M 1KOHM,J,1/16W	1	
	R17281	ERJ6GEYJ102V	M 1K OHM J 1/10W	1	
	R17285	EXB38V220JV	RESISTOR ARRAY	1	
	R17288	EXB38V222J	RESISTOR ARRAY	1	
	R17289	EXB38V222J	RESISTOR ARRAY	1	
	R17290	EXB38V470J	RESISTOR ARRAY	1	
	R17291	EXB38V470J	RESISTOR ARRAY	1	
	RM2501	PNA4701M07TV	REMOCON RECEIVER	1	
	S1	K1KA03BA0061	3P CONNECTOR	1	
	SC2	K1KA02A00676	2P CONNECTOR	1	
	SC20	K1MN30BA0255	30P CONNECTOR	1	
	SC41	K1KA23AA0733	23P CONNECTOR	1	
	SC42	K1KA23AA0733	23P CONNECTOR	1	
	SC46	K1KA09AA0707	9P CONNECTOR	1	
	SCMM1	TMME047	CLAMPER	1	
	SD11	K1MN20BA0231	20P CONNECTOR	1	
	SD42	K1KB23AA0234	23P CONNECTOR	1	
	SD46	K1KB09AA0219	9P CONNECTOR	1	
	SD1B	K1MN96B00005	96P CONNECTOR	1	
	SD2B	K1MN96B00005	96P CONNECTOR	1	
	SD4B	K1MN96B00005	96P CONNECTOR	1	
	SD3B	K1MN96B00005	96P CONNECTOR	1	
	SS11	K1KA02A00676	2P CONNECTOR	1	
	SS12	K1KA10AA0194	10P CONNECTOR	1	
	SS23	K1KA12AA0194	12P CONNECTOR	1	
	SS34	K1KA03AA0193	3P CONNECTOR	1	
	SS53A	K1MN13B00091	13P CONNECTOR	1	
	SS56A	K1MN13B00091	13P CONNECTOR	1	
	SSMM1	TMME190	CLAMPER	1	
	SSMM2	TMME190	CLAMPER	1	
	SU11	K1MN20BA0266	20P CONNECTOR	1	
	SU41	K1KB23AA0234	23P CONNECTOR	1	
	SU1B	K1MN96B00005	96P CONNECTOR	1	
	SU4B	K1MN96B00005	96P CONNECTOR	1	
	SU2B	K1MN96B00005	96P CONNECTOR	1	
	SU3B	K1MN96B00005	96P CONNECTOR	1	
△	SW2500	K0F162B00002	SWITCH	1	
	SW3753	EVQPC105K	SWITCH	1	
	SW3754	EVQPC105K	SWITCH	1	
	SW3755	EVQPC105K	SWITCH	1	

Safety	Ref. No.	Part No.	Part Name & Description	Pcs	Remarks
	SW3756	EVQPC105K	SWITCH	1	
	SW3757	EVQPC105K	SWITCH	1	
	T16301	ETS19AB249AC	SWITCHING TRANS	1	
△	TU8301	ENG37E09KF	TUNER	1	
	VR16000	EVMEASA00B54	CONTROL 50KOHMB 0.3W	1	
	VR16600	EVMEASA00B54	CONTROL 50KOHMB 0.3W	1	
	VR16602	EVMEASA00B33	CONTROL 3KOHMB 0.3W	1	
	X1100	H0J100500035	CRYSTAL	1	
	X2010	H0J245500089	CRYSTAL	1	
	X8001	H0J270500061	CRYSTAL	1	
	X8301	H0J204500006	CRYSTAL	1	
	X9900	H0J200500076	CRYSTAL	1	
	ZA0001	K4AZ01D00004	TERMINAL	1	
	ZA0002	K4AZ01D00004	TERMINAL	1	
	ZA0003	K4AZ01D00004	TERMINAL	1	
	ZA0004	K4AZ01D00004	TERMINAL	1	
	ZA0007	K4AZ01D00004	TERMINAL	1	
	ZA0008	K4AZ01D00004	TERMINAL	1	
	ZA3701	K4CZ01000027	AV TERMINAL	1	
	ZA14901	K4AD01Z00003	TERMINAL	1	
	ZA14902	K4AD01Z00003	TERMINAL	1	
	ZA14951	K4AD01Z00003	TERMINAL	1	
	ZA14952	K4AD01Z00003	TERMINAL	1	
	ZA16001	K4CD01000011	AV TERMINAL	1	
	ZA16002	K4CD01000011	AV TERMINAL	1	
	ZA16003	K4CD01000011	AV TERMINAL	1	
	ZA16401	K4CD01000011	AV TERMINAL	1	
	ZA16402	K4CD01000011	AV TERMINAL	1	
	ZA16403	K4CD01000011	AV TERMINAL	1	
	ZA17101	K4CD01000013	AV TERMINAL	1	
	ZA17102	K4CD01000013	AV TERMINAL	1	
	ZA17103	K4CD01000013	AV TERMINAL	1	
	ZA17104	K4CD01000013	AV TERMINAL	1	
	ZA17201	K4CD01000013	AV TERMINAL	1	
	ZA17202	K4CD01000013	AV TERMINAL	1	
	ZA17203	K4CD01000013	AV TERMINAL	1	
	ZA17204	K4CD01000013	AV TERMINAL	1	
△	C405	F0CZZ4450001	P 0.044UF, 200V	1	
△	C406	F1E2J4730001	C 0.047PF, , 600V	1	
	C407	F2B2W220A032	C 22UF, 450V	1	
	C408	ECJ1VB1H102K	C 1000UF, Z, 50V	1	
	C413	ECJ1VB1E104K	C 0.10UF, K, 25V	1	
	C420	F1J1E105A080	C 1 UF 25V	1	
	C421	ECJ1VB1E104K	C 0.10UF, K, 25V	1	
	C423	ECJ1VB1H472K	C 4700PF, K, 50V	1	
	C425	F1J1E105A080	C 1 UF 25V	1	
	C426	ECJ1VB1H103K	C 0.001UF, K, 50V	1	
	C427	F1H1C224A065	C 0.22UF, K, 50V	1	
	C428	ECJ1XC1H221J	C 220PF, J, 50V	1	
	C429	F1E2J4730001	C 0.047PF, , 600V	1	
	C431	ECJ1VB1H102K	C 1000UF, Z, 50V	1	
	C432	F1H1C105A071	C 1UF, K, 16V	1	
	C433	F1H1C105A071	C 1UF, K, 16V	1	
	C436	F1H1C105A071	C 1UF, K, 16V	1	
	C437	ECJ1VB1H103K	C 0.001UF, K, 50V	1	
	C443	ECKD3A102KBP	C 1000PF, J, 1KV	1	
	C444	ECKD3A102KBP	C 1000PF, J, 1KV	1	
	C445	F1H1C105A071	C 1UF, K, 16V	1	
△	C446	F2B2W3910010	C 390UF, 450V	1	
	C450	ECJ1VB1H103K	C 0.001UF, K, 50V	1	

Safety	Ref. No.	Part No.	Part Name & Description	Pcs	Remarks
	C451	ECKD3A101KBP	C 100PF, J, 1KV	1	
△	C457	ECWH12333RHV	P 0.013UF,J,1.2KV	1	
	C462	F1J1E225A209	C 2.2 UF 25V	1	
	C463	ECJ1XC1H220J	C 22PF, J, 50V	1	
△	C467	F1BAF221A107	C 220UF, 250V	1	
△	C469	F1BAF221A107	C 220UF, 250V	1	
△	C470	ECQU2A225MLA	C 22UF, 450V	1	
△	C472	F1BAF221A107	C 220UF, 250V	1	
△	C474	F1BAF221A107	C 220UF, 250V	1	
△	C475	F1BAF221A107	C 220UF, 250V	1	
△	C478	F1BAF221A107	C 220UF, 250V	1	
	C492	F2A1H1000083	E 10UF, 50V	1	
	C493	F2A1H4700057	E 47UF, 50V	1	
	C497	F2A1H4700057	E 47UF, 50V	1	
	C501	ECJ1VB1H103K	C 0.001UF, K, 50V	1	
	C502	ECJ1VB1H103K	C 0.001UF, K, 50V	1	
	C504	F1H1C105A071	C 1UF, K, 16V	1	
	C505	ECJ1VB1H102K	C 1000UF, Z, 50V	1	
	C506	ECJ1VB1H103K	C 0.001UF, K, 50V	1	
	C507	ECJ1VB1E104K	C 0.10UF, K, 25V	1	
	C509	F2A1E1010106	E 100UF, 25V	1	
	C511	ECJ1VB1H102K	C 1000UF, Z, 50V	1	
	C515	F2A1A1220015	E 1200UF, 10V	1	
	C516	ECJ1VC1H330J	C 33PF, J, 50V	1	
	C517	F2A1E2210071	E 220UF, 25V	1	
	C518	F1H1C105A071	C 1UF, K, 16V	1	
	C519	F1H1C105A071	C 1UF, K, 16V	1	
	C520	F0C2E683A160	E 0.068UF, 250V	1	
	C521	ECJ1VB1H103K	C 0.001UF, K, 50V	1	
	C522	F1E2E1030002	C 0.010PF, , 600V	1	
	C523	F1J1E105A080	C 1 UF 25V	1	
	C526	ECJ1VB1H223K	C 0.22UF, K, 50V	1	
	C528	ECJ1VB1H102K	C 1000UF, Z, 50V	1	
	C529	F1J1C475A170	C 4.7UF, K, 16V	1	
	C530	ECJ1VB1E333K	C 0.033UF, K, 25V	1	
	C531	ECJ1VB1E104K	C 0.10UF, K, 25V	1	
	C534	ECJ1VC1H471J	C 470PF, J, 50V	1	
	C546	ECJ1VB1H102K	C 1000UF, Z, 50V	1	
	C547	ECJ1VB1H102K	C 1000UF, Z, 50V	1	
	C552	ECJ1VB1E104K	C 0.10UF, K, 25V	1	
	C554	F1H1C105A071	C 1UF, K, 16V	1	
△	C555	F2A2C4710003	E 470UF, 160V	1	
	C556	F2A1E272A221	E 2700UF, 25V	1	
	C558	F2A1E4710092	E 470UF, 25V	1	
	C559	F2A1A1020085	E 1000UF, 10V	1	
	C571	ECJ1VC1H330J	C 33PF, J, 50V	1	
	C574	ECJ1VB1E104K	C 0.10UF, K, 25V	1	
△	C577	F2A2A3300016	E 33UF, 100V	1	
	C581	ECJ2VB1H223K	C 0.022UF, K, 50V	1	
	C583	ECJ1VB1H102K	C 1000UF, Z, 50V	1	
	C584	ECJ2VB1H223K	C 0.022UF, K, 50V	1	
	C585	F1H1H223A219	C 0.022UF, 50V	1	
	C587	ECJ1VB1H332K	C 3300PF, K, 50V	1	
	C590	ECJ1XB1H104K	C 10PF, J, 50V	1	
	C603	F1J1E105A080	C 1 UF 25V	1	
△	C604	F2A2D1510008	E 150UF, 200V	1	
△	C605	F2A2D1510008	E 150UF, 200V	1	
	C607	F1H1C105A071	C 1UF, K, 16V	1	
	C610	F1J1E105A080	C 1 UF 25V	1	
△	C611	F2B2T1420004	E 142UF, 220V	1	
	C612	ECJ1VB1H103K	C 0.001UF, K, 50V	1	
	C616	ECKD3A102KBP	C 1000PF, J, 1KV	1	
	C619	ECJ1VB1C474K	C 0.47UF,K, 16V	1	
	C620	F1J1E105A080	C 1 UF 25V	1	

Safety	Ref. No.	Part No.	Part Name & Description	Pcs	Remarks
	C623	F2A1H1000083	E 10UF, 50V	1	
	C624	ECJ1VB1H103K	C 0.001UF, K, 50V	1	
	C625	F2A1H1000083	E 10UF, 50V	1	
	C626	ECJ1VB1H103K	C 0.001UF, K, 50V	1	
	C630	ECJ1VB1H103K	C 0.001UF, K, 50V	1	
	C631	ECJ1VB1H103K	C 0.001UF, K, 50V	1	
	C632	ECJ2XC1H330J	C 33PF, J, 50V	1	
	C639	ECJ1VB1H103K	C 0.001UF, K, 50V	1	
	C640	ECJ1VC1H330J	C 33PF, J, 50V	1	
	C650	ECJ1VB1E104K	C 0.10UF, K, 25V	1	
	C651	ECJ1VB1E104K	C 0.10UF, K, 25V	1	
	C653	ECJ1VB1H102K	C 1000UF, Z, 50V	1	
	C657	ECJ1VB1H102K	C 1000UF, Z, 50V	1	
	C658	F1J1E105A080	C 1 UF 25V	1	
	C660	F1J1C225A201	C 2.2UF, K, 16V	1	
	C661	ECJ1VB1H103K	C 0.001UF, K, 50V	1	
	C662	ECJ2VB1H103K	C 0.01UF, K, 50V	1	
	C663	ECJ1VB1H103K	C 0.001UF, K, 50V	1	
	C665	ECJ1XC1H101J	C 100PF, J, 50V	1	
	C666	ECJ1VB1H103K	C 0.001UF, K, 50V	1	
	C667	ECJ1VB1H102K	C 1000UF, Z, 50V	1	
	C668	ECJ1VB1H102K	C 1000UF, Z, 50V	1	
	C669	ECJ1VB1H103K	C 0.001UF, K, 50V	1	
	C670	ECJ1VB1E104K	C 0.10UF, K, 25V	1	
	C671	F1J1A106A079	C 0.010UF, K, 10V	1	
	C672	ECJ1VB1E104K	C 0.10UF, K, 25V	1	
△	D401	B0FBAT000006	DIODE	1	
△	D404	B0EBKT000007	DIODE	1	
	D407	B0ACD0000010	DIODE	1	
	D408	B0ACD0000010	DIODE	1	
	D411	B0BB17000009	ZENER DIODE	1	
	D415	B0JAME000099	DIODE	1	
	D416	B0HAMP000067	DIODE	1	
	D418	B0BC8R100013	ZENER DIODE	1	
	D419	B0HAPR000013	DIODE	1	
	D420	B0HAPR000013	DIODE	1	
	D423	MA188	DIODE	1	
	D425	MA188	DIODE	1	
	D429	B0EAKT000048	DIODE	1	
	D431	B0JCD0000002	DIODE	1	
	D433	B0BC01400033	ZENER DIODE	1	
	D435	B0EAKT000048	DIODE	1	
	D436	B0AACR000004	DIODE	1	
	D438	B0BC02000014	ZENER DIODE	1	
	D439	B0EAKT000048	DIODE	1	
	D441	B0HAMM000122	DIODE	1	
	D444	B0HAMM000122	DIODE	1	
	D445	MTZJ10B	ZENER DIODE	1	
	D450	B0ACD0000010	DIODE	1	
	D501	B0HAPR000012	DIODE	1	
	D502	B0BC8R100013	ZENER DIODE	1	
	D503	B0AACR000004	DIODE	1	
	D503	MA165TA5	DIODE	1	
	D504	B0AACR000004	DIODE	1	
	D504	MA165TA5	DIODE	1	
	D506	B0ACD0000010	DIODE	1	
	D509	B0JANG000018	DIODE	1	
	D511	B0JAML000011	DIODE	1	
	D512	B0ACD0000010	DIODE	1	
	D513	B0ACD0000010	DIODE	1	
	D516	B0BA03300004	ZENER DIODE	1	
	D517	B0BA03300004	ZENER DIODE	1	
	D518	B0BA03300004	ZENER DIODE	1	
	D520	B0ACD0000010	DIODE	1	

Safety	Ref. No.	Part No.	Part Name & Description	Pcs	Remarks
	D521	B0JAME000099	DIODE	1	
	D530	B0ACDJ000010	DIODE	1	
	D531	B0HBSN000013	DIODE	1	
	D535	MA188	DIODE	1	
	D536	MA3DD82	DIODE	1	
	D538	B0BC5R100039	ZENER DIODE	1	
	D539	B0HARR000019	DIODE	1	
	D540	B0HARR000019	DIODE	1	
	D543	B0BC01400033	ZENER DIODE	1	
	D544	B0BA02100001	ZENER DIODE	1	
	D545	B0BA02100001	ZENER DIODE	1	
	D546	B0BA02800001	ZENER DIODE	1	
	D549	B0BC02500008	ZENER DIODE	1	
	D569	B0BA05100010	ZENER DIODE	1	
	D570	B0BA05100010	ZENER DIODE	1	
	D579	B0AACK000004	DIODE	1	
	D582	MAZ705600F	ZENER DIODE	1	
	D584	MAZ706200F	ZENER DIODE	1	
	D586	B0HAMP000067	DIODE	1	
	D598	B0BC5R100039	ZENER DIODE	1	
	D599	B0JCMD000009	DIODE	1	
	D600	B0BC7R400023	ZENER DIODE	1	
	D601	B0BC5R100039	ZENER DIODE	1	
	D602	B0BC8R100013	ZENER DIODE	1	
	D603	B0BA01900005	ZENER DIODE	1	
	D701	B0BC5R100039	ZENER DIODE	1	
△	F401	K5E802BZ0002	FUSE	1	
△	F402	K5E802BZ0002	FUSE	1	
△	F403	K5G631B00007	FUSE	1	
△	IC401	CNC1S171R	IC	1	
△	IC403	CNC1S171R	IC	1	
	IC406	C0DBZZZ00082	IC	1	
△	IC408	B3PBA0000459	IC	1	
△	IC409	MIP3E30MPSCF	IC	1	
	IC411	C0DBZMC00006	IC	1	
	IC501	C2ABDB000118	IC	1	
	IC502	C0EBH0000210	IC	1	
	IC504	C0DBZMC00006	IC	1	
△	IC505	B3PBA0000459	IC	1	
	IC506	C0DBZMC00006	IC	1	
△	IC507	B3PBA0000459	IC	1	
	IC508	C0DBZMC00006	IC	1	
	IC509	C0BBAA000093	IC	1	
	IC510	C0DBAZG00034	IC	1	
	IC511	C0DBZMC00006	IC	1	
	IC512	C0DBZMC00006	IC	1	
	IC513	C0DBZMC00006	IC	1	
	IC520	LSSK0087	IC	1	
	L403	EXCELSA35	BEAD CHOKE	1	
△	L404	G0B123K00004	CHOKE COIL	1	
△	L405	G0B123K00004	CHOKE COIL	1	
	L406	J0JCC0000004	CHIP INDUCTOR	1	
△	L410	G0B353D00002	CHOKE COIL	1	
	L511	G0C470MA0056	PEAKING COIL	1	
	L512	G0A4R7H00002	CHOKE COIL	1	
	L514	G0A100GA0013	CHOKE COIL	1	
	L515	J0JKB0000037	FLAT CORE	1	
	L518	J0JCC0000004	CHIP INDUCTOR	1	
	P2	K1KA02A00676	2P CONNECTOR	1	
	P6	K1KA12AA0191	12P CONNECTOR	1	
	P7	K1KA11AA0191	11P CONNECTOR	1	
	P9	K1KA03A00608	3P CONNECTOR	1	
	P11	K1KA02A00676	2P CONNECTOR	1	
	P12	K1KA08A00518	8P CONNECTOR	1	
	P25	K1KA13AA0082	13P CONNECTOR	1	
△	PR401	K5Y502BA0001	FUSE	1	
△	PR402	ERBSE0R50U	FUSE	1	

Safety	Ref. No.	Part No.	Part Name & Description	Pcs	Remarks
△	PR501	ERBSE0R50U	FUSE	1	
△	PR505	ERBSE5R00U	FUSE	1	
△	PR509	ERBSE0R50U	FUSE	1	
△	PR601	K5G312B00012	FUSE	1	
	Q401	B1CHND000004	FET	1	
	Q402	B1CBGD000001	FET	1	
	Q404	B1BCCF000022	TRANSISTOR	1	
△	Q406	B1DEHQ000014	FET	1	
	Q407	B1HFCFA000021	TRANSISTOR	1	
	Q408	B1CHND000004	FET	1	
	Q409	B1CHND000004	FET	1	
	Q411	B1HFCFA000021	TRANSISTOR	1	
△	Q412	B1DAGQ000013	FET	1	
△	Q413	B1DAGQ000013	FET	1	
	Q420	2SD1819AWL	TRANSISTOR	1	
	Q501	2SD1820A	TRANSISTOR	1	
	Q502	2SD1820A	TRANSISTOR	1	
	Q507	B1DAGQ000013	FET	1	
	Q508	2SD1819AWL	TRANSISTOR	1	
	Q509	B1HDCEA000001	TRANSISTOR	1	
	Q510	B1DFDD000019	FET	1	
	Q517	B1HBCFA000033	TRANSISTOR	1	
	Q520	B1HBCFA000033	TRANSISTOR	1	
	Q521	B1CBGD000001	FET	1	
	Q527	B1CERM000012	FET	1	
	Q530	B1ADCF000111	TRANSISTOR	1	
	Q537	B1CFQD000001	FET	1	
	Q538	2SD1819AWL	TRANSISTOR	1	
	Q540	B1DFDD000019	FET	1	
	Q541	B1CBGD000001	FET	1	
	Q553	2SD1819AWL	TRANSISTOR	1	
	Q554	B1CHND000004	FET	1	
	Q555	B1CFRD000018	FET	1	
	Q563	2SD1819AWL	TRANSISTOR	1	
	Q564	B1ADCF000111	TRANSISTOR	1	
	Q565	B1ADCF000111	TRANSISTOR	1	
	Q566	2SD1819AWL	TRANSISTOR	1	
	Q569	B1CBGD000001	FET	1	
	R401	ERJ6GEYG103	M 10KOHM, J, 1/10W	1	
	R402	ERJ6GEYG821	M 820 OHM, J, 1/10W	1	
	R403	D0GB105JA057	M 1MOHM, J, 1/16W	1	
	R404	ERJ6GEYG153	M 15KOHM, J, 1/10W	1	
△	R405	D0B1825JA033	M 1.22MOHM, J, 0.05W	1	
	R406	ERX12SJ4R7	M 4.7 OHM, J, 1/2W	1	
	R407	D1AB2203A023	CHIP RESISTOR	1	
	R408	ERJ6GEYF472	M 4.7KOHM, J, 1/10W	1	
	R409	D0GB102JA057	M 1KOHM, J, 1/16W	1	
	R410	D1AB2203A023	CHIP RESISTOR	1	
△	R411	ERF5TJ100	W 10 OHM, J, 5W	1	
	R414	ERJ8GEYJ153	M 15KOHM, J, 1/8W	1	
	R415	D1AB2203A023	CHIP RESISTOR	1	
	R417	D1AB4303A023	CHIP RESISTOR	1	
	R418	ERJ6GEYJ6R8V	M 6.8 OHM, J, 1/10W	1	
	R419	ERJ6GEYG104	M 100KOHM, J, 1/10W	1	
	R421	ERJ3GEYJ333	M 33KOHM, J, 1/16W	1	
	R422	ERJ3GEYOR00	M 0 OHM, 1/16W	1	
	R423	ERJ6GEYG221	M 220 OHM, J, 1/10W	1	
	R424	ERJ3GEYJ223	M 22KOHM, J, 1/16W	1	
	R425	ERJ6ENF9101	M 9.1KOHM, 1/10W	1	
	R426	D0GB103JA057	M 10KOHM, J, 1/16W	1	
	R428	D0GB103JA057	M 10KOHM, J, 1/16W	1	
	R429	ERJ6GEYJ4R7	M 4.7 OHM, J, 1/10W	1	
	R430	D1AB4303A023	CHIP RESISTOR	1	
	R431	D0GB103JA057	M 10KOHM, J, 1/16W	1	

Safety	Ref. No.	Part No.	Part Name & Description	Pcs	Remarks
	R432	D1AB4303A023	CHIP RESISTOR	1	
	R433	ERJ6RBD123V	M 12KOHM, 1/10W	1	
	R436	ERJ8GEYJ153	M 15KOHM, J,1/8W	1	
	R437	D0GB183JA057	M 18KOHM, J,1/16W	1	
	R438	ERJ6GEYG331	M 330 OHM, J,1/10W	1	
	R439	ERG12SJ120	M 12 OHM, J,1/2W	1	
	R440	ERJ8GEYJ474	M 470KOHM, J,1/8W	1	
	R441	D1AB6803A023	CHIP RESISTOR	1	
	R442	D1AB6803A023	CHIP RESISTOR	1	
	R443	EVMAASA00B23	CONTROL 2KOHMB	1	
	R444	ERJ6GEYF123	M 12KOHM, J,1/10W	1	
	R445	D1AB6803A023	CHIP RESISTOR	1	
	R448	DOXR12JA011	M 0.12OHM, J, 5W	1	
	R449	DOXR12JA011	M 0.12OHM, J, 5W	1	
	R450	ERJ6GEYJ4R7	M 4.7 OHM, J,1/10W	1	
	R451	ERJ3GEYJ333	M 33KOHM, J,1/16W	1	
	R452	D0GB103JA057	M 10KOHM, J,1/16W	1	
	R454	D0GB103JA057	M 10KOHM, J,1/16W	1	
	R455	ERJ6GEYF123	M 12KOHM, J,1/10W	1	
	R456	ERJ3GEYJ333	M 33KOHM, J,1/16W	1	
	R458	ERJ3GEYJ472	M 4.7KOHM, J,1/16W	1	
	R459	ERJ6ENF5602	M 56KOHM, 1/10W	1	
	R463	ERJ3GEYJ333	M 33KOHM, J,1/16W	1	
	R464	ERJ6ENF3302	M 33KOHM, 1/10W	1	
	R467	ERJ6GEYG102	M 1KOHM, J,1/10W	1	
	R468	ERX12SJ1R0	M 0.1 OHM, J,1/2W	1	
	R469	ERX12SJ1R0	M 0.1 OHM, J,1/2W	1	
	R471	ERJ8GEYJ332	M 3.3KOHM, J,1/8W	1	
	R472	D1AB5603A023	CHIP RESISTOR	1	
	R473	D1AB5603A023	CHIP RESISTOR	1	
	R474	D1AB5603A023	CHIP RESISTOR	1	
	R476	ERJ14YJ181	M 180 OHM, J,1/4W	1	
	R477	ERJ14YJ181	M 180 OHM, J,1/4W	1	
	R478	ERJ8GEYJ220	M 22 OHM, J,1/8W	1	
	R482	ERJ8GEYJ220	M 22 OHM, J,1/8W	1	
△	R483	DOBF334JA030	M 330KOHM, J, 0.05W	1	
	R484	ERJ6GEYF473	M 47KOHM, J,1/10W	1	
	R485	ERJ6GEYF472	M 4.7KOHM, J,1/10W	1	
	R490	ERJ6GEYG821	M 820 OHM, J,1/10W	1	
	R493	ERG12SJ120	M 12 OHM, J,1/2W	1	
	R501	ERJ6GEYG154	M 150KOHM, J,1/10W	1	
	R502	ERJ3GEYJ224	M 220KOHM, J,1/16W	1	
	R503	ERJ3GEYJ224	M 220KOHM, J,1/16W	1	
	R505	ERJ8GEYJ330	M 33 OHM, J,1/8W	1	
	R507	ERJ6GEYG221	M 220 OHM, J,1/10W	1	
	R508	D0GB182JA057	M 1.8KOHM, J,1/16W	1	
	R510	ERJ8GEYJ120	M 12 OHM, J,1/8W	1	
	R512	ERJ3GEYJ823	M 82KOHM, J,1/16W	1	
	R513	ERJ3GEYJ332	M 3.3KOHM, J,1/16W	1	
	R514	ERJ3GEYJ104	M 100KOHM, J,1/16W	1	
	R518	D0GB102JA057	M 1KOHM, J,1/16W	1	
	R519	ERJ3GEYJ104	M 100KOHM, J,1/16W	1	
	R520	ERJ6GEYJ101V	M 100 OHM, J,1/10W	1	
	R521	ERJ6GEYG104	M 100KOHM, J,1/10W	1	
	R523	ERJ6GEYF473	M 47KOHM, J,1/10W	1	

Safety	Ref. No.	Part No.	Part Name & Description	Pcs	Remarks
	R524	D0GB102JA057	M 1KOHM, J,1/16W	1	
	R526	ERJ6ENF1803	M 180KOHM, 1/10W	1	
	R527	ERJ6ENF1803	M 180KOHM, 1/10W	1	
	R528	ERJ6GEYJ4R7	M 4.7 OHM, J,1/10W	1	
	R529	ERJ6GEYJ101V	M 100 OHM, J,1/10W	1	
	R530	ERJ3RBD333	M 33KOHM, 1/16W	1	
	R531	ERJ3RBD333	M 33KOHM, 1/16W	1	
	R532	ERJ6GEYG102	M 1KOHM, J,1/10W	1	
	R533	ERJ6ENF1693	M 169KOHM, 1/10W	1	
	R534	ERJ3EKF8201	M 8.2KOHM, 1/16W	1	
	R535	D0GB105JA057	M 1MOHM, J,1/16W	1	
	R536	ERJ3GEY0R00	M 0 OHM, 1/16W	1	
	R537	ERJ6ENF1003	M 100KOHM, 1/10W	1	
	R539	D0GB103JA057	M 10KOHM, J,1/16W	1	
	R540	D0GB105JA057	M 1MOHM, J,1/16W	1	
	R542	ERJ6GEYJ223	M 22KOHM, J,1/10W	1	
	R543	D0GB393JA041	M 39KOHM, J,1/16W	1	
	R544	ERJ6ENF1502	M 15KOHM, 1/10W	1	
	R546	ERJ3GEYJ104	M 100KOHM, J,1/16W	1	
	R547	ERJ3GEYJ101	M 100 OHM, J,1/16W	1	
	R549	ERJ6GEYG104	M 100KOHM, J,1/10W	1	
	R551	D0GB151JA057	M 150 OHM, J,1/16W	1	
	R552	ERJ3GEYJ104	M 100KOHM, J,1/16W	1	
	R555	ERJ3GEYJ224	M 220KOHM, J,1/16W	1	
	R556	ERJ6GEYG105	M 1MOHM, J,1/10W	1	
	R557	ERJ6GEYJ101V	M 100 OHM, J,1/10W	1	
	R558	ERJ3GEYJ101	M 100 OHM, J,1/16W	1	
	R559	ERJ3EKF8201	M 8.2KOHM, 1/16W	1	
	R560	ERJ6ENF9101	M 9.1KOHM, 1/10W	1	
	R561	ERJ6ENF5101	M 5.1KOHM, 1/10W	1	
	R562	ERJ3EKF4701	M 4.7KOHM, 1/16W	1	
	R563	ERJ6GEYJ2R2	M 2.2 OHM, J,1/10W	1	
	R565	ERJ6GEY0R00V	M 0 OHM, 1/10W	1	
	R567	ERJ8GEYJ105	M 1MOHM, J,1/8W	1	
	R568	ERJ8GEYJ105	M 1MOHM, J,1/8W	1	
	R569	ERJ3EKF3302	M 33KOHM, 1/16W	1	
	R570	ERJ3GEY0R00	M 0 OHM, 1/16W	1	
	R571	ERJ6GEYG105	M 1MOHM, J,1/10W	1	
	R572	ERJ3GEYJ104	M 100KOHM, J,1/16W	1	
	R573	D0GB102JA057	M 1KOHM, J,1/16W	1	
	R574	ERJ3GEYJ331	M 330 OHM, J,1/16W	1	
	R575	ERJ3GEYJ224	M 220KOHM, J,1/16W	1	
	R576	ERJ6RBD123V	M 12KOHM, 1/10W	1	
	R577	ERJ6GEYG102	M 1KOHM, J,1/10W	1	
	R579	D0GB103JA057	M 10KOHM, J,1/16W	1	
	R580	ERJ3GEYJ223	M 22KOHM, J,1/16W	1	
	R581	ERJ6GEYF473	M 47KOHM, J,1/10W	1	
	R582	ERJ6ENF1002	M 10KOHM, 1/10W	1	
	R583	ERJ3GEY0R00	M 0 OHM, 1/16W	1	
	R584	ERJ6GEYG103	M 10KOHM, J,1/10W	1	
	R585	ERJ3GEYJ333	M 33KOHM, J,1/16W	1	
	R586	ERJ6GEYJ223	M 22KOHM, J,1/10W	1	
	R587	ERJ8RSJR16V	M 16 OHM, 1/8W	1	
	R592	ERJ3GEYJ223	M 22KOHM, J,1/16W	1	
	R593	ERJ3GEYJ104	M 100KOHM, J,1/16W	1	
	R594	D0GB151JA057	M 150 OHM, J,1/16W	1	
	R595	ERJ6GEYG221	M 220 OHM, J,1/10W	1	
	R596	ERJ6GEYJ101V	M 100 OHM, J,1/10W	1	

Safety	Ref. No.	Part No.	Part Name & Description	Pcs	Remarks
	R597	ERJ3EKF3302	M 33KOHM, 1/16W	1	
	R598	ERJ3EKF3302	M 33KOHM, 1/16W	1	
	R599	ERJ8ENF3900	M 390 OHM, 1/8W	1	
	R600	ERJ8ENF3900	M 390 OHM, 1/8W	1	
	R601	ERJ3GEYJ471	M 470 OHM, J, 1/16W	1	
	R603	ERJ6GEYJ101V	M 100 OHM, J, 1/10W	1	
	R604	ERJ3EKF3002	M 30KOHM, 1/16W	1	
	R605	D0GB103JA057	M 10KOHM, J, 1/16W	1	
	R606	ERJ6ENF1201	M 1.2KOHM, 1/10W	1	
	R607	ERJ3EKF1602	M16.0KOHM, 1/16W	1	
	R608	ERJ8GEYJ332	M 3.3KOHM, J, 1/8W	1	
	R609	D0GB103JA057	M 10KOHM, J, 1/16W	1	
	R610	ERJ6GEYG222	M 2.2KOHM, J, 1/10W	1	
	R611	ERDS2FJ101	C 100 OHM, J, 1/4W	1	
	R612	ERJ6GEYG222	M 2.2KOHM, J, 1/10W	1	
	R613	ERJ3EKF2402	M 24KOHM, 1/16W	1	
	R614	ERJ3EKF3301	M 3.3KOHM, 1/16W	1	
	R616	ERJ6GEYJ223	M 22KOHM, J, 1/10W	1	
	R617	ERJ3GEYJ223	M 22KOHM, J, 1/16W	1	
	R618	ERJ3GEYJ104	M 100KOHM, J, 1/16W	1	
	R619	ERJ8RQFR39	M 0.39OHM, J, 1/8W	1	
	R620	D0GB102JA057	M 1KOHM, J, 1/16W	1	
	R622	ERJ6ENF1603	M 160KOHM, 1/10W	1	
	R624	ERX2SJR22P	M0.22 OHM, J, 2W	1	
	R626	ERJ6ENF1473	M 147KOHM, 1/10W	1	
	R627	ERJ3EKF7501	M 7.5KOHM, 1/16W	1	
	R628	EVMAASA00B33	CONTROL 3KOHMB	1	
	R629	ERJ6GEYJ684	M 680KOHM, J, 1/10W	1	
	R631	ERJ8GEYJ333	M 33KOHM, J, 1/8W	1	
	R632	ERJ6GEYG221	M 220 OHM, J, 1/10W	1	
	R634	ERJ8RQFR39	M 0.39OHM, J, 1/8W	1	
	R635	ERJ6GEYG103	M 10KOHM, J, 1/10W	1	
	R636	ERJ6ENF1603	M 160KOHM, 1/10W	1	
	R637	ERJ8RQFR39	M 0.39OHM, J, 1/8W	1	
	R639	ERJ8RQFR39	M 0.39OHM, J, 1/8W	1	
	R640	ERJ8RQFR39	M 0.39OHM, J, 1/8W	1	
	R641	ERJ6GEYF473	M 47KOHM, J, 1/10W	1	
	R642	ERJ8RQFR39	M 0.39OHM, J, 1/8W	1	
	R643	ERJ8RQFR39	M 0.39OHM, J, 1/8W	1	
	R644	ERJ8RQFR39	M 0.39OHM, J, 1/8W	1	
	R645	ERJ6GEYJ101V	M 100 OHM, J, 1/10W	1	
	R646	ERJ14YJ330	M 33 OHM, J, 1/4W	1	
	R647	ERJ14YJ330	M 33 OHM, J, 1/4W	1	
	R648	ERJ6ENF1603	M 160KOHM, 1/10W	1	
	R651	ERJ3EKF1002	M 10KOHM, 1/16W	1	
	R652	ERJ3RBD163	M 16KOHM, 1/16W	1	
	R653	ERJ3EKF3302	M 33KOHM, 1/16W	1	
	R654	ERJ8ENF1801	M1.80KOHM, 1/8W	1	
	R655	ERJ8RSJR16V	M 16 OHM, 1/8W	1	
	R656	ERJ6ENF1803	M 180KOHM, 1/10W	1	
	R657	ERJ3GEYJ561	M 560 OHM, J, 1/16W	1	
	R659	ERJ3EKF3002	M 30KOHM, 1/16W	1	
	R660	ERJ3EKF1202	M 12KOHM, 1/16W	1	
	R661	EVMAASA00B53	CONTROL 5KOHMB	1	
	R662	ERJ6ENF1503	M 150KOHM, 1/10W	1	
	R664	ERJ3EKF9101	M 9.1KOHM, 1/16W	1	
	R665	EVMAASA00B23	CONTROL 2KOHMB	1	
	R666	ERJ8ENF1801	M1.80KOHM, 1/8W	1	

Safety	Ref. No.	Part No.	Part Name & Description	Pcs	Remarks
	R669	ERJ6ENF1503	M 150KOHM, 1/10W	1	
	R670	D0GB102JA057	M 1KOHM, J, 1/16W	1	
	R671	ERJ3RBD112	M 1.1KOHM, @1/16W	1	
	R672	ERJ6GEYG102	M 1KOHM, J, 1/10W	1	
	R673	ERJ6GEYG102	M 1KOHM, J, 1/10W	1	
	R674	ERJ8GEYJ333	M 33KOHM, J, 1/8W	1	
	R675	ERJ3EKF2202	M 22KOHM, 1/16W	1	
	R676	ERJ8GEYJ333	M 33KOHM, J, 1/8W	1	
	R677	ERJ3GEYJ474	M 470KOHM, J, 1/16W	1	
	R678	ERJ8RSJR16V	M 16 OHM, 1/8W	1	
	R679	ERJ8RSJR16V	M 16 OHM, 1/8W	1	
	R680	ERJ8RSJR16V	M 16 OHM, 1/8W	1	
	R682	ERJ6ENF2002	M 20KOHM, 1/10W	1	
	R683	ERJ14YJ330	M 33 OHM, J, 1/4W	1	
	R684	D0GB102JA057	M 1KOHM, J, 1/16W	1	
	R686	D0GB123JA057	M 12KOHM, J, 1/16W	1	
	R687	ERJ3GEYJ104	M 100KOHM, J, 1/16W	1	
	R688	D0GB102JA057	M 1KOHM, J, 1/16W	1	
	R689	ERJ8GEYJ472	M 4.7KOHM, J, 1/8W	1	
	R690	ERJ6GEYJ4R7	M 4.7 OHM, J, 1/10W	1	
	R691	ERJ3GEYJ564	M 560KOHM, J, 1/16W	1	
	R693	ERJ6GEYJ100V	M 10 OHM, J, 1/10W	1	
	R695	ERJ3EKF1602	M16.0KOHM, 1/16W	1	
	R696	ERJ6GEYJ4R7	M 4.7 OHM, J, 1/10W	1	
	R697	ERJ6GEYJ4R7	M 4.7 OHM, J, 1/10W	1	
	R698	ERJ8RSJR16V	M 16 OHM, 1/8W	1	
	R699	ERJ8GEYJ105	M 1MOHM, J, 1/8W	1	
	R700	ERJ6ENF1503	M 150KOHM, 1/10W	1	
	R701	ERJ6ENF1503	M 150KOHM, 1/10W	1	
	R702	ERJ3EKF1102	M 11KOHM, 1/16W	1	
	R707	D0GB102JA057	M 1KOHM, J, 1/16W	1	
	R708	D0GB102JA057	M 1KOHM, J, 1/16W	1	
	R709	ERJ3GEYJ101	M 100 OHM, J, 1/16W	1	
	R710	ERJ6GEYJ101V	M 100 OHM, J, 1/10W	1	
	R711	ERJ6GEYG222	M 2.2KOHM, J, 1/10W	1	
	R712	ERJ6GEYG222	M 2.2KOHM, J, 1/10W	1	
	R713	ERJ6GEYG152	M 1.5KOHM, J, 1/10W	1	
	R714	ERJ6GEYG102	M 1KOHM, J, 1/10W	1	
	R715	ERJ6ENF3301	M 3.3KOHM, 1/10W	1	
	R716	ERJ6GEY0R00V	M 0 OHM, 1/10W	1	
	R717	ERJ6GEYG122	M 1.2KOHM, J, 1/10W	1	
	R719	ERJ6GEYG102	M 1KOHM, J, 1/10W	1	
	R720	D0GB152JA057	M 1.5KOHM, J, 1/16W	1	
	R721	ERJ6GEY0R00V	M 0 OHM, 1/10W	1	
	R722	ERJ6GEYG102	M 1KOHM, J, 1/10W	1	
	R723	D0GB102JA057	M 1KOHM, J, 1/16W	1	
	R724	D0GB102JA057	M 1KOHM, J, 1/16W	1	
	R725	ERJ3GEYJ823	M 82KOHM, J, 1/16W	1	
	R726	ERJ6GEYF472	M 4.7KOHM, J, 1/10W	1	
	R727	ERJ6GEYG332	M 3.3KOHM, J, 1/10W	1	
	R730	ERJ8GEYJ105	M 1MOHM, J, 1/8W	1	
	R731	ERJ8GEYJ105	M 1MOHM, J, 1/8W	1	
	R732	ERJ8GEYJ105	M 1MOHM, J, 1/8W	1	
	R733	ERJ8GEYJ105	M 1MOHM, J, 1/8W	1	
	R734	ERJ8GEYJ105	M 1MOHM, J, 1/8W	1	
	R735	ERJ8GEYJ105	M 1MOHM, J, 1/8W	1	
	R736	ERJ8GEYJ105	M 1MOHM, J, 1/8W	1	
	R737	ERJ8GEYJ105	M 1MOHM, J, 1/8W	1	
	R738	ERJ8GEYJ105	M 1MOHM, J, 1/8W	1	
	R739	ERJ3EKF1803	M 180KOHM, 1/16W	1	

Safety	Ref. No.	Part No.	Part Name & Description	Pcs	Remarks
	R742	DOGB102JA057	M 1KOHM,J,1/16W	1	
△	RL402	K6B1CGA00055	REALY	1	
△	RL403	K6B1CGA00055	REALY	1	
△	S401	J0LT00000009	SWITCH	1	
△	S402	J0LT00000009	SWITCH	1	
	T401	G4D4A0000122	SWITCHING TRANS	1	
△	T402	G4D1A0000132	SWITCHING TRANS	1	
△	T404	ETS42LB11GAD	SWITCHING TRANS	1	
△	T410	G4D1A0000133	SWITCHING TRANS	1	
	T601	G4D2A0000295	SWITCHING TRANS	1	
	W13	ERJ6GEY0R00V	M 0 OHM, 1/10W	1	
	W46	ERJ6GEY0R00V	M 0 OHM, 1/10W	1	
	X501	H2B400400021	CRYSTAL	1	
	Z1	K4ZZ01000206	TERMINAL	1	
	Z2	K4ZZ01000206	TERMINAL	1	
	Z3	K4ZZ01000206	TERMINAL	1	
	Z410	TMME331	CLAMPER	4	
	Z414	TMME260	CLAMPER	1	
△	ZN401	D4EAD6210001	VARISTOR	1	
△	ZN401	ERZVRED621	VARISTOR	1	
△	ZN402	D4EAD6210001	VARISTOR	1	
△	ZN402	ERZVRED621	VARISTOR	1	
△	ZN403	ERZVGAD681T2	VARISTOR	1	
△	ZN404	ERZVA7D511	VARISTOR	1	
△	ZN405	ERZVA7D511	VARISTOR	1	