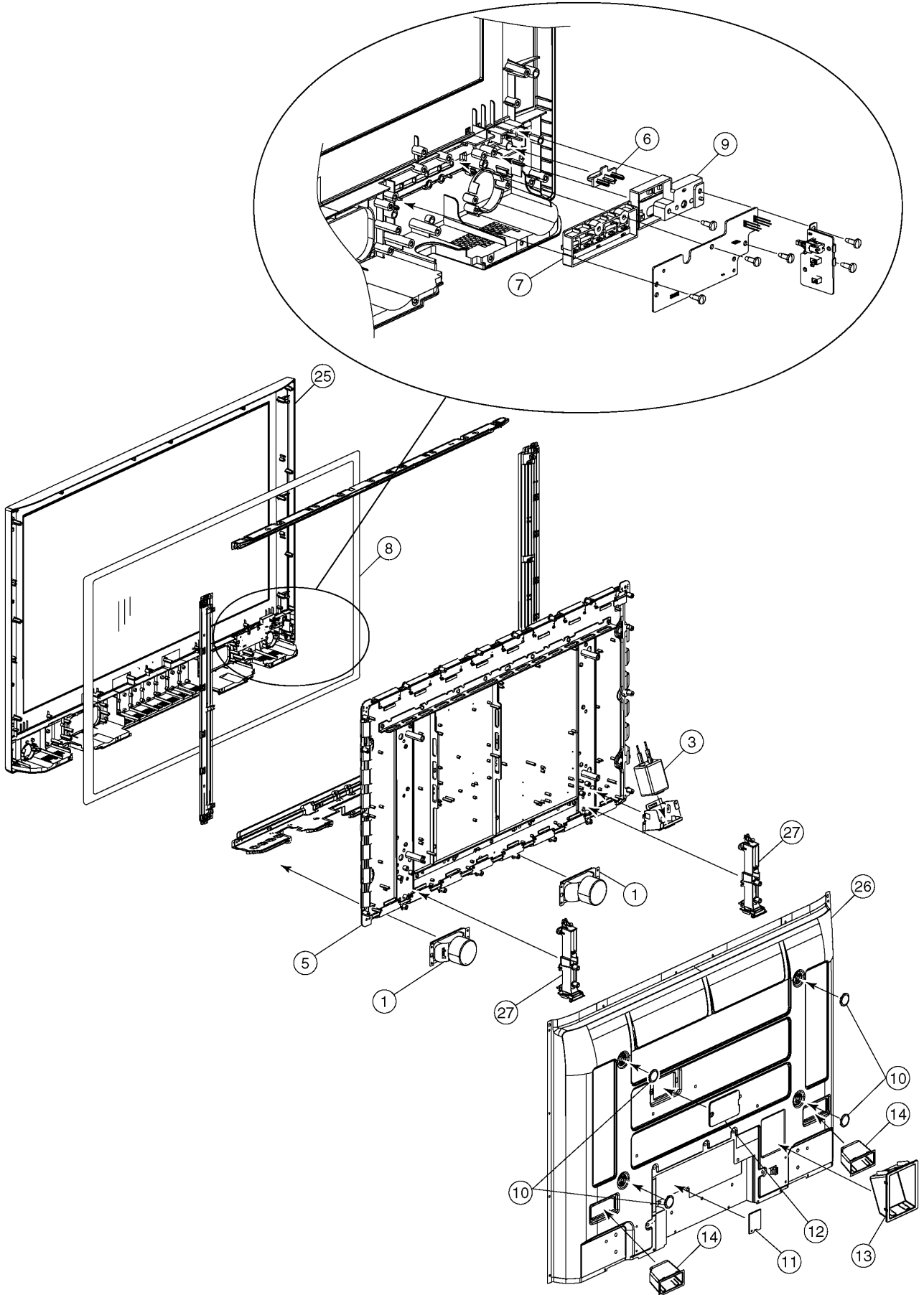
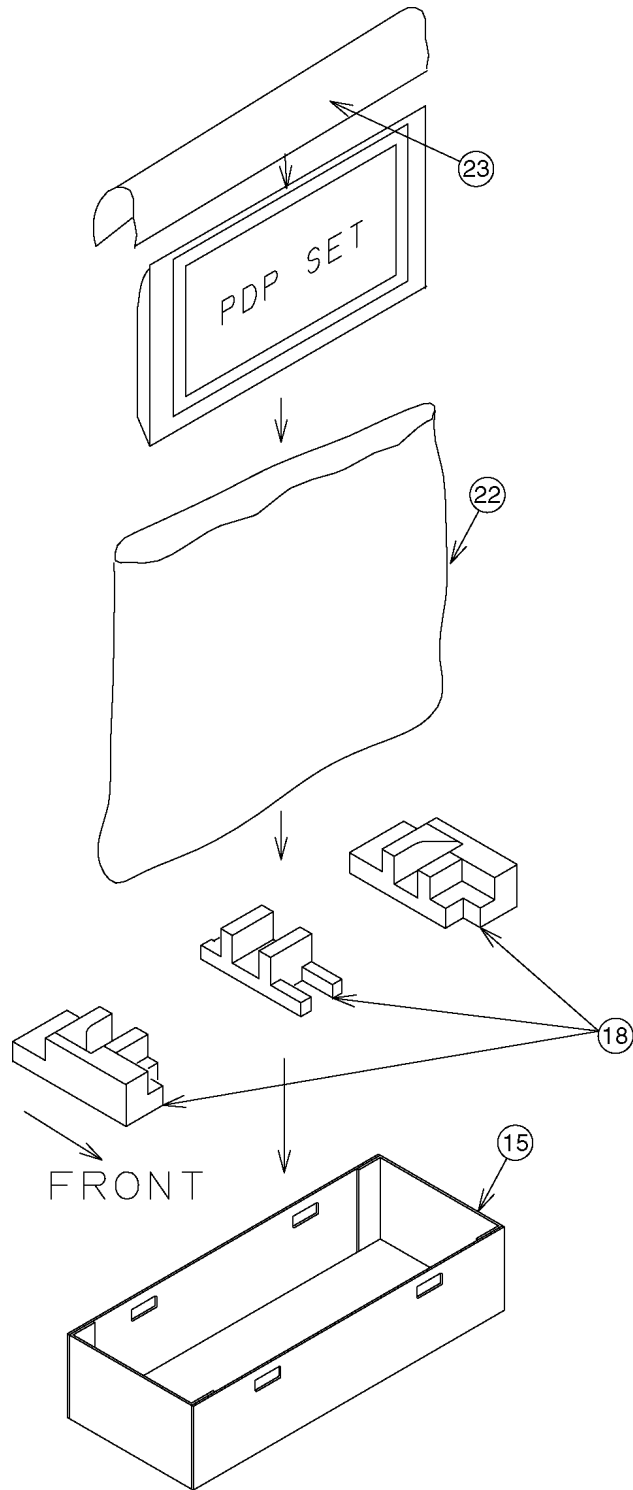


# 15 Parts Location & Mechanical Replacement Parts List

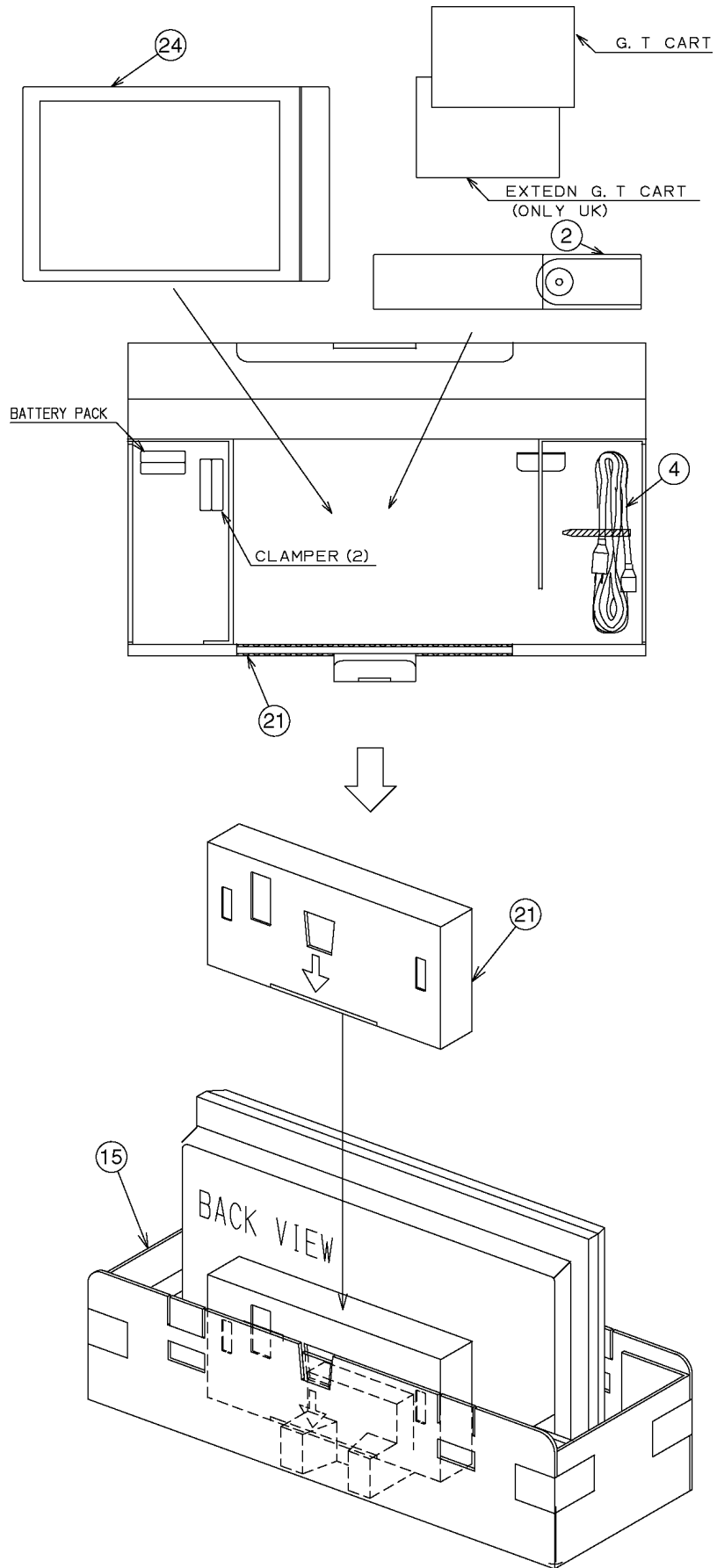
## 15.1. Parts Location



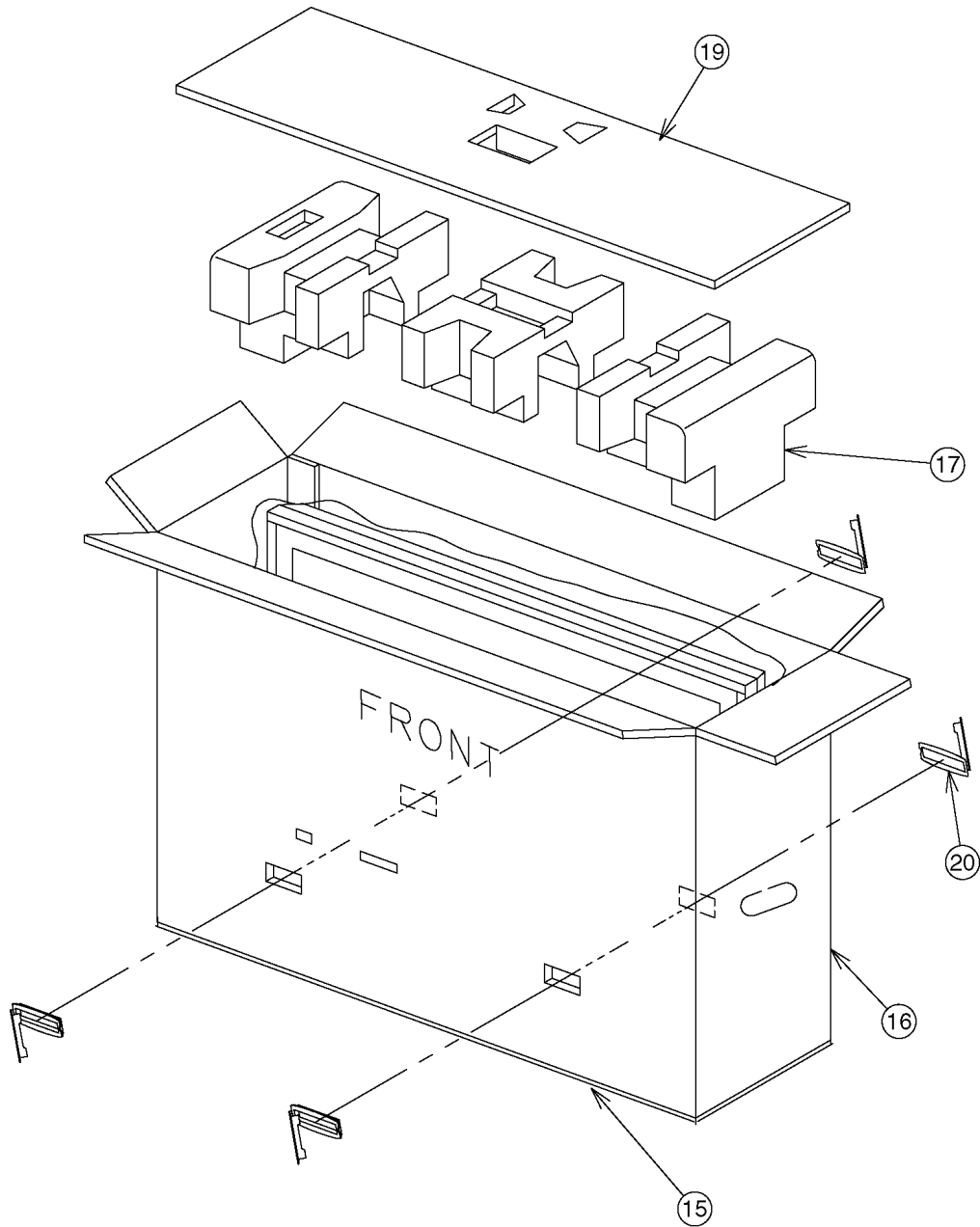
## 15.2. Packing Exploded Views (1)



### 15.3. Packing Exploded Views (2)



### 15.4. Packing Exploded Views (3)



## 15.5. Mechanical Replacement Parts List

### Note:

All parts except parts mentioned [PAVCCZ] in the Remarks column are supplied by AVC-SPC.

Parts mentioned [PAVCCZ] are supplied by PAVCCZ.

Ref. No.	Part No.	Part Name & Description	Pcs	Remarks
1	EAS12S08A	SPEAKER	2	
2	EUR7651060	REMOTE CONTROL	1	TH-37/42PA50E PAVCCZ
2	EUR7651070	REMOTE CONTROL	1	TH-37/42PE50B PAVCCZ
	JOKD00000095	FLAT CORE	2	
	J2Z200000054	RF-CABLE	1	TH-37/42PE50B PAVCCZ
	K1YD55000001	CONNECTOR	2	
3	K2AH3H000033	AC-INLET	1	PAVCCZ ▲
4	K2CN3DH00006	AC CORD	1	TH-37/42PA50E ▲
4	K2CT3DH00018	AC CORD (B/H)	1	TH-37/42PE50B ▲
5	MD42S08A1J	PLASMA DISPLAY PANEL	1	42 INCH ▲
5	MD37S08A1J	PLASMA DISPLAY PANEL	1	37 INCH PAVCCZ ▲
	TBMA149	PANASONIC BADGE (SILVER)	1	
6	TBXA46302	POWER BUTTON	1	
7	TBXA46402	5KEYS BUTTON	1	
	TES4G204	SPRING	1	
	THEL0239	SCREW (SLOT5, METAL4, COVER3)	1	
	THEL027N	SCREW	4	
	THEL035N	SCREW	69	42 INCH
	THEL035N	SCREW	75	37 INCH
	THEL0429	SCREW	23	
	THEL0439	SCREW (FLOCK)	4	
	THTA0379	SCREW	2	PAVCCZ
8	TKGA5197	FRONT GLASS	1	TH-37PE50B PAVCCZ
8	TKGA5217	FRONT GLASS	1	42 INCH PAVCCZ
8	TKGA5219	FRONT GLASS	1	TH-37PA50E PAVCCZ
9	TKKC5208	PANEL LIGHT	1	TH-37/42PA50E PAVCCZ
9	TKKC5212	PANEL LIGHT	1	TH-37/42PE50B PAVCCZ
10	TKKL5231	COVER	4	
11	TKKL5306	ADJUSTMENT COVER (SMALL)	1	
12	TKKL5330	ADJUSTMENT COVER (LARGE)	1	
13	TKPA94301	INLET COVER	1	
14	TKRA34802	B/COVER HANDLE	2	37 INCH
14	TKRA46201	B/COVER HANDLE	2	42 INCH
	TMK0E718	SPEAKER SPONGE	2	PAVCCZ
	TMKG288	CUSHION (TKG/UPPER/BOTTOM)	2	42 INCH
	TMKG308	CUSHION (TKG/UPPER/BOTTOM)	2	37 INCH
	TMKG289	CUSHION (TKG/LEFT/RIGHT)	2	42 INCH
	TMKG309	CUSHION (TKG/LEFT/RIGHT)	2	37 INCH
	TMM15414-2	CLAMPER	2	TH-42PE50B
	TMM17499	CLAMPER	1	
	TMM25401	CLAMPER	6	
	TMM7464-2	CLAMPER	2	
	TMM7468-1	CLAMPER	3	
	TMME047	CLAMPER	6	
	TMME061	CLAMPER	5	
	TMME075	EADG SADOLE	6	42 INCH
	TMME075	EADG SADOLE	9	37 INCH
	TMME190	CLAMPER	1	TH-37/42PA50E

Ref. No.	Part No.	Part Name & Description	Pcs	Remarks
	TMME190	CLAMPER	2	TH-37/42PE50B
	TMME206	CLAMPER	2	
	TMME226	CLAMPER	1	
	TMXX028	CORE HOLDER	1	37 INCH
	TMZX5050	STAND BRACKET	1	
15	TPC0E62601	CARTON BOTTOM	1	42 INCH PAVCCZ
16	TPC0E62701	CARTON	1	42 INCH PAVCCZ ▲
15	TPC0E62801	CARTON BOTTOM	1	37 INCH PAVCCZ
16	TPC0E62901	CARTON	1	37 INCH PAVCCZ ▲
17	TPD0E0088	CUSHION TOP	1	PAVCCZ
18	TPD0E0089	CUSHION BOTTOM	1	PAVCCZ
19	TPD0E9012	TOP PAD	1	42 INCH PAVCCZ
19	TPD0E9013	TOP PAD	1	37 INCH PAVCCZ
20	TPD169487	JOINT	4	
21	TPDF1197	ACCESSORIES BOX	1	
22	TPE0E4010	PROTECT COVER	1	PAVCCZ
23	TPE0E4013	TOP PROTECT SHEET	1	PAVCCZ
	TQA0E1067	ITALIAN SCHEMATIC DIAGRAM	1	TH-37/42PA50E PAVCCZ
24	TQB0E0167A	INSTRUCTION BOOK (GEROAN)	1	TH-37/42PA50E PAVCCZ ▲
24	TQB0E0167B	INSTRUCTION BOOK (DUTCH)	1	TH-37/42PA50E PAVCCZ ▲
24	TQB0E0167C	INSTRUCTION BOOK (ITALIAN)	1	TH-37/42PA50E PAVCCZ ▲
24	TQB0E0167D	INSTRUCTION BOOK (FRENCH)	1	TH-37/42PA50E PAVCCZ ▲
24	TQB0E0167E	INSTRUCTION BOOK (SPANISH)	1	TH-37/42PA50E PAVCCZ ▲
24	TQB0E0167F	INSTRUCTION BOOK (SWEDISH)	1	TH-37/42PA50E PAVCCZ ▲
24	TQB0E0167K	INSTRUCTION BOOK (DANISH)	1	TH-37/42PA50E PAVCCZ ▲
24	TQB0E0167M	INSTRUCTION BOOK (BULGARIA)	1	TH-37/42PA50E PAVCCZ ▲
24	TQB0E0167N	INSTRUCTION BOOK (ROMANIAN)	1	TH-37/42PA50E PAVCCZ ▲
24	TQB0E0167P	INSTRUCTION BOOK (POLISH)	1	TH-37/42PA50E PAVCCZ ▲
24	TQB0E0167Q	INSTRUCTION BOOK (HUNGARRI)	1	TH-37/42PA50E PAVCCZ ▲
24	TQB0E0167R	INSTRUCTION BOOK (CZECH)	1	TH-37/42PA50E PAVCCZ ▲
24	TQB0E0167U	INSTRUCTION BOOK (ENGLISH)	1	TH-37/42PA50E PAVCCZ ▲
24	TQB0E0168	INSTRUCTION BOOK (ENGLISH)	1	TH-37/42PE50B PAVCCZ ▲
	TSXL436	CABLE DG1-H1/DG2-H2	2	
	TSXL438	CABLE PA30-H30	2	
	TSXL440	CABLE (D33-C21/D34-C11)	2	
	TSXL460	CABLE Z50-H50	1	
25	TTEA0235	ESCUTCHEON	1	TH-42PA50E PAVCCZ ▲
25	TTEA0236	ESCUTCHEON	1	TH-42PE50B PAVCCZ ▲
25	TTEA0255	ESCUTCHEON	1	TH-37PA50E PAVCCZ ▲
25	TTEA0256	ESCUTCHEON	1	TH-37PE50B PAVCCZ ▲
26	TTUA1108	REAR COVER	1	TH-42PA50E PAVCCZ ▲
26	TTUA1109	REAR COVER	1	TH-42PE50B PAVCCZ ▲
26	TTUA1118	REAR COVER	1	TH-37PA50E PAVCCZ ▲
26	TTUA1119	REAR COVER	1	TH-37PE50B PAVCCZ ▲
27	TXFM201YFSUA	STAND BLOCK A'SSY	2	
	TXJ/SWYFSU	SPEAKER REED	2	

Ref. No.	Part No.	Part Name & Description	Pcs	Remarks
	XTB3+10GFJ	SCREW	4	
	XTB4+12GFJ	SCREW	37	TH-42PA50E
	XTB4+12GFJ	SCREW	45	TH-42PE50B
	XTB4+12GFJ	SCREW	33	37 INCH
	XTB4+12GFJK	SCREW	1	
	XTB4+15AFJK	SCREW	15	
	XTV3+10JFJK	SCREW (HDMI)	6	
	XTW4+35DFJ	SCREW	10	
	XYC4+FJ35FJK	SCREW	8	
	XYN3+F6FJ	SCREW (LCD PANEL FIX META)	1	
	XYN3+F8FJ	SCREW	32	TH-37/42PA50E
	XYN3+F8FJ	SCREW	39	TH-37/42PE50B
	XYN3+J10FJ	SCREW	1	
	XYN3+J12FJ	SCREW	23	
	XYN3+J8FJ	SCREW ROHS	2	
	XYN4+E8FJ	SCREW (EARTH)	1	
	XYN5+C15FJ	SCREW	8	
	XZBT6530	POLY BAG	1	

# 16 Electrical Replacement Parts List

## 16.1. Replacement Parts List Notes

### Important Safety Notice

Components identified by  $\Delta$  mark have special characteristics important for safety. When replacing any of these components, use only manufacturer's specified parts.

#### RTL (Retention Time Limited)

**Note:** The marking (RTL) indicates that the Retention Time is Limited for this item. After the discontinuation of this assembly in production, the item will continue to be available for a specific period of time. The retention period of availability is dependant on the type of assembly, and in accordance with the laws governing part and product retention. After the end of this period, the assembly will no longer be available.

Abbreviation of part name and description

#### 1. Resistor

Example:

ERD25TJ104    C 100KOHM, J, 1/4W  
                   Type            Allowance

#### 2. Capacitor

Example:

ECKF1H103ZF    C 0.01UF, Z, 50V  
                                   Type            Allowance

Type	Allowance
C : Carbon	F : $\pm 1\%$
F : Fuse	G : $\pm 2\%$
M : Metal Oxide Metal Film	J : $\pm 5\%$
S : Solid	K : $\pm 10\%$
W : Wire Wound	M : $\pm 20\%$

Type	Allowance
C : Ceramic	C : $\pm 0.25\text{pF}$
E : Electrolytic	D : $\pm 0.5\text{pF}$
P : Polyester	F : $\pm 1\text{pF}$
Polyprop	G : $\pm 3\text{pF}$
lene	J : $\pm 5\text{pF}$
T : Tantalum	K : $\pm 10\text{pF}$
	L : $\pm 15\text{pF}$
	M : $\pm 20\text{pF}$
	P : +100%, -0%
	Z : +80%, -20%

## 16.2. Electrical Replacement Parts List

### Note:

All parts except parts mentioned [PAVCCZ] in the Remarks column are supplied by AVC-SPC.

Parts mentioned [PAVCCZ] are supplied by PAVCCZ.

Ref. No.	Part No.	Part Name & Description	Pcs	Remarks
C001	ECA0JM102	E 1000UF, 6.3V	1	
C002,03	ECA1HM100	E 10UF, 50V	2	
C006	ECJ1XC1H220J	C 22PF, J, 50V	1	
C007	ECJ1XF1C104Z	C 0.1UF, Z, 16V	1	
C009	ECJ1VF1H104Z	C 0.1UF, Z, 50V	1	
C11	K1MN55BA0076	55P CONNECTOR	1	
C12	K1KA04BA0107	4P CONNECTOR	1	
C1MM2	TMME199	CLAMPER	1	
C013	ECJ1XF1C104Z	C 0.1UF, Z, 16V	1	
C016	ECJ1XF1C104Z	C 0.1UF, Z, 16V	1	
C017	ECJ3VB1C474K	C 0.47UF, K, 16V	1	
C018,19	ECJ1XC1H330J	C 33PF, J, 50V	2	
C020	ECJ1XF1C104Z	C 0.1UF, Z, 16V	1	
C021	ECJ1XC1H101J	C 100PF, J, 50V	1	
C21	K1MN55BA0076	55P CONNECTOR	1	
C022	ECJ3YB0J335K	C 33UF, J, 25V	1	
C22	K1KA04BA0107	4P CONNECTOR	1	
C023	ECJ1XF1H102Z	C 1000PF, J, 50V	1	
C23	K1KA12AA0153	12P CONNECTOR	1	
C024	ECJ1XC1H221J	C 220PF, J, 50V	1	
C1100	ECJ1XB0J105K	C 1UF, K, 16V	1	
C1101,02	ECJ1XB1C104K	C 0.1UF, Z, 16V	2	
C1104	ECJ1XB1C104K	C 0.1UF, Z, 16V	1	
C1105,06	ECJ1XB0J105K	C 1UF, K, 16V	2	
C1107	ECJ1VB1H103K	C 0.01UF, K, 50V	1	
C1108-11	ECJ1XB1C104K	C 0.1UF, Z, 16V	4	
C1112	EEEB1C100R	C 10PF, J, 16V	1	
C1113,14	ECJ1XB1C104K	C 0.1UF, Z, 16V	2	
C1115	EEEB0G101R	C 100PF, J, 4V	1	
C1116	ECJ1XC1H102J	C 1000PF, J, 50V	1	
C1117-19	ECJ1XB1C104K	C 0.1UF, Z, 16V	3	
C1120	EEEB0G101R	C 100PF, J, 4V	1	
C1122	ECJ1XC1H102J	C 1000PF, J, 50V	1	
C1123,24	ECJ1XB1C104K	C 0.1UF, Z, 16V	2	
C1125	ECJ3XB0J106M	C 10UF, M,6.3V	1	
C1126	ECJ1XB1C104K	C 0.1UF, Z, 16V	1	
C1127	ECJ1XC1H102J	C 1000PF, J, 50V	1	
C1128,29	ECJ1XB1C104K	C 0.1UF, Z, 16V	2	
C1130	ECJ1XC1H102J	C 1000PF, J, 50V	1	
C1131	ECJ1XB1C104K	C 0.1UF, Z, 16V	1	
C1132	EEEB1C100R	C 10PF, J, 16V	1	
C1133,34	ECJ1XB1C104K	C 0.1UF, Z, 16V	2	
C1135	ECJ1XC1H102J	C 1000PF, J, 50V	1	
C1136-39	ECJ1XB1C104K	C 0.1UF, Z, 16V	4	
C1140	EEEB1E330P	C 33PF, J, 25V	1	
C1141	ECJ1VB1H103K	C 0.01UF, K, 50V	1	
C1150	EEEB1E330P	C 33PF, J, 25V	1	
C1152	ECJ1XB1C104K	C 0.1UF, Z, 16V	1	
C1153,54	ECJ1VB1H221K	C 220UF, K, 50V	2	
C1155	ECJ1XB1C104K	C 0.1UF, Z, 16V	1	
C1170	EEVHP1C100R	E 10UF, 16V	1	
C1171	EEEB1C470P	C 47PF, J, 16V	1	
C1172	ECJ1XB1C104K	C 0.1UF, Z, 16V	1	
C1174	ECJ1XB1C104K	C 0.1UF, Z, 16V	1	
C1175	ECJ1XC1H151J	C 150PF, J, 50V	1	
C1178	ECJ1XB0J105K	C 1UF, K, 16V	1	

Ref. No.	Part No.	Part Name & Description	Pcs	Remarks
C1181,82	EEEB0G101R	C 100PF, J, 4V	2	
C1186	ECJ1VB1H103K	C 0.01UF, K, 50V	1	
C1187	ECJ1XC1H180J	C 18PF, J, 50V	1	
C1188	ECJ1XC1H220J	C 22PF, J, 50V	1	
C1193	ECJ1XB1C104K	C 0.1UF, Z, 16V	1	
C1194	ECJ1VB1H103K	C 0.01UF, K, 50V	1	
C1195	ECJ1XB0J105K	C 1UF, K, 16V	1	
C1196-98	ECJ1XB1C104K	C 0.1UF, Z, 16V	3	
C1200,01	ECJ1XB1C104K	C 0.1UF, Z, 16V	2	
C1202	EEEB0G101R	C 100PF, J, 4V	1	
C1203	ECJ1XB1C104K	C 0.1UF, Z, 16V	1	
C1204	ECJ1XB0J105K	C 1UF, K, 16V	1	
C1205,06	ECJ1XC1H271J	C 270PF, J, 50V	2	
C1207	ECJ1XB1C104K	C 0.1UF, Z, 16V	1	
C1208	ECJ1XC1H271J	C 270PF, J, 50V	1	
C1209	EEEB0G101R	C 100PF, J, 4V	1	
C1211	ECJ1XB1C104K	C 0.1UF, Z, 16V	1	
C1212,13	ECJ1XC1H271J	C 270PF, J, 50V	2	
C1214-16	ECJ1XB1C104K	C 0.1UF, Z, 16V	3	
C1217,18	ECJ1XC1H271J	C 270PF, J, 50V	2	
C1219	ECJ1VF1H103Z	C 0.01UF, Z, 50V	1	
C1220,21	ECJ1XC1H101J	C 100PF, J, 50V	2	
C1222	ECJ1VB1C105K	C 0.01UF, K, 16V	1	
C1223-25	ECJ1XC1H680J	C 68PF, J, 50V	3	
C2005-18	ECJ1XC1H561J	C 560PF, J, 50V	14	
C2019	ECA1CM221	E 220UF, 16V	1	
C2020	ECA1HM220	E 22UF, 50V	1	
C2021,22	ECJ1XC1H561J	C 560PF, J, 50V	2	
C2101,02	ECJ2VF1C104Z	C 0.1UF, Z, 16V	2	TH-37/42PE50B
C2103,04	ECJ3YB1A106M	C 10UF, M,6.3V	2	
C2107-10	ECJ2FB1C105K	C 1UF, Z, 16V	4	TH-37/42PE50B
C2111	ECJ2VF1C104Z	C 0.1UF, Z, 16V	1	
C2116	ECJ2VF1C104Z	C 0.1UF, Z, 16V	1	
C2118,19	ECEA1CN470U	E 47UF, 16V	2	
C2120,21	ECJ2XB1A105K	C 1UF, K, 10V	2	TH-37/42PE50B
C2122,23	ECJ3YB1A106M	C 10UF, M,6.3V	2	
C2124	ECJ3XB1C106M	C 1.0UF, K, 16V	1	
C2125,26	ECJ1VB1H102K	C 1000PF, K, 50V	2	
C2127	ECA1CMH101	E 100UF, 16V	1	
C2128	ECJ2VF1C104Z	C 0.1UF, Z, 16V	1	
C2129,30	FLJ1A1050002	C 1UF, Z, 50V	2	
C2131	ECJ2VF1C104Z	C 0.1UF, Z, 16V	1	
C2132	ECA1HM100	E 10UF, 50V	1	
C2133,34	ECJ1XC1H470J	C 47PF, J, 50V	2	
C2143	ECJ1VB1H103K	C 0.01UF, K, 50V	1	
C2144,45	ECJ3YB1A106M	C 10UF, M,6.3V	2	
C2146	ECJ2VF1C104Z	C 0.1UF, Z, 16V	1	
C2147	ECA1HM220	E 22UF, 50V	1	
C2148-50	ECJ2FB1C105K	C 1UF, Z, 16V	3	
C2151	ECJ2VF1C104Z	C 0.1UF, Z, 16V	1	TH-37/42PA50E
C2152	ECJ2FB1C105K	C 1UF, Z, 16V	1	
C2153	ECJ2FF1C475Z	C 0.047UF, Z, 16V	1	
C2154	ECJ2VF1C104Z	C 0.1UF, Z, 16V	1	



Ref. No.	Part No.	Part Name & Description	Pcs	Remarks
C2156	ECJ3YB1A106M	C 10UF, M, 6.3V	1	
C2158	ECJ3YB1A106M	C 10UF, M, 6.3V	1	
C2159,60	ECJ2FB1C105K	C 1UF, Z, 16V	2	
C2161	ECA1CMH101	E 100UF, 16V	1	
C2162-65	ECJ2FB1C105K	C 1UF, Z, 16V	4	
C2166-67	ECJ2FB1C105K	C 1UF, Z, 16V	2	TH-37/42PE50B
C2172	ECJ1VB1H102K	C 1000PF, K, 50V	1	
C2173	ECJ1VB1H103K	C 0.01UF, K, 50V	1	
C2174	ECJ1VB1H102K	C 1000PF, K, 50V	1	
C2175-77	ECJ1VB1H103K	C 0.01UF, K, 50V	3	
C2178,79	ECA1HM100	E 10UF, 50V	2	
C2181	ECJ2VF1C104Z	C 0.1UF, Z, 16V	1	
C2183	ECA1HM3R3	E 3.3UF, 50V	1	
C2184,85	ECJ2VF1C104Z	C 0.1UF, Z, 16V	2	
C2189,90	ECJ2FB1C105K	C 1UF, Z, 16V	2	
C2191	ECJ2VF1C104Z	C 0.1UF, Z, 16V	1	
C2192	ECA1HM100	E 10UF, 50V	1	
C2193,94	ECJ2FB1C105K	C 1UF, Z, 16V	2	TH-37/42PA50E
C2195	ECJ1XC1H470J	C 47PF, J, 50V	1	
C2196	ECJ2VF1C104Z	C 0.1UF, Z, 16V	1	
C2198	ECA1CMH101	E 100UF, 16V	1	
C2199	ECJ1VC1H560J	C 56PF, J, 50V	1	
C2200	ECJ1XC1H470J	C 47PF, J, 50V	1	
C2201,02	ECJ1XC1H050C	C 5PF, C, 50V	2	
C2203	ECJ1VC1H100C	C 10PF, C, 50V	1	
C2204	ECJ1XC1H220J	C 22PF, J, 50V	1	
C2206	ECA1CMH101	E 100UF, 16V	1	
C2207	ECJ2VF1C104Z	C 0.1UF, Z, 16V	1	
C2208	ECJ1XF1C104Z	C 0.1UF, Z, 16V	1	TH-37/42PA50E
C2211	ECJ1VB1C104K	C 0.1UF, K, 16V	1	
C2212	ECJ1XF1C104Z	C 0.1UF, Z, 16V	1	TH-37/42PA50E
C2213	ECJ1VB1C104K	C 0.1UF, K, 16V	1	TH-37/42PA50E
C2213	ERJ3GEY0R00	M 0 OHM, 1/16W	1	TH-37/42PE50B
C2214	ECJ1VB1H102K	C 1000PF, K, 50V	1	
C2215	ECJ2VF1C104Z	C 0.1UF, Z, 16V	1	
C2218-21	ECJ3YB1A106M	C 10UF, M, 6.3V	4	
C2222	ECJ2VF1C104Z	C 0.1UF, Z, 16V	1	
C2223	ECJ1XC1H390J	C 39PF, J, 50V	1	
C2225	ECJ2FB1C105K	C 1UF, Z, 16V	1	
C2226	ECJ1VB1H102K	C 1000PF, K, 50V	1	
C2300,01	ECJ1VF1H104Z	C 0.1UF, Z, 50V	2	
C2305	ECA1CMH101	E 100UF, 16V	1	
C2306	ECJ1VB1H103K	C 0.01UF, K, 50V	1	
C2307	ECA1CMH101	E 100UF, 16V	1	
C2308,09	ECJ1VB1H103K	C 0.01UF, K, 50V	2	
C2310,11	ECJ3YB1A475K	C 0.047UF, K, 10V	2	
C2314	ECJ1VB1H562K	C 5600PF, K, 50V	1	
C2315	ECA1CHG470	E 47UF, 16V	1	
C2316	ECJ1XF1C104Z	C 0.1UF, Z, 16V	1	
C2318	ECJ1XF1C104Z	C 0.1UF, Z, 16V	1	
C2319	ECJ1XC1H471J	C 470PF, J, 50V	1	
C2320	ECJ1VB1E473K	C 0.47UF, K, 25V	1	
C2322	ECJ1XC1H471J	C 470PF, J, 50V	1	
C2323	ECJ1VB1E473K	C 0.47UF, K, 25V	1	
C2324	ECJ1XC1H471J	C 470PF, J, 50V	1	
C2325	ECJ1VB1E473K	C 0.47UF, K, 25V	1	
C2327	ECJ1XC1H471J	C 470PF, J, 50V	1	
C2328	ECJ1VB1E473K	C 0.47UF, K, 25V	1	
C2329-32	ECJ1VB1H332K	C 3300PF, K, 50V	4	
C2358	ECA1CMH101	E 100UF, 16V	1	
C2359	ECJ1VB1H103K	C 0.01UF, K, 50V	1	
C2372	ECA1HHG100	E 10UF, 50V	1	

Ref. No.	Part No.	Part Name & Description	Pcs	Remarks
C2374	ECA1HHG100	E 10UF, 50V	1	
C2376-79	ECJ2XB1H102K	C 1000PF, K, 50V	4	
C2384-87	ECJ2XB1H102K	C 1000PF, K, 50V	4	
C2428,29	ECJ2XB1E104K	C 0.1UF, K, 25V	2	
C2430	ECJ1VF1A105Z	C 1UF, Z, 10V	1	
C2433,34	ECJ2FB1C474K	C 0.47UF, Z, 16V	2	
C2437,38	ECJ2FB1C474K	C 0.47UF, Z, 16V	2	
C2441,42	ECJ1XC1H221J	C 220PF, J, 50V	2	
C2445,46	ECJ2FB1E105K	C 1UF, K, 16V	2	
C2449,50	ECA1EHG331	E 330UF, 25V	2	
C2453,54	ECJ2FB1E105K	C 1UF, K, 16V	2	
C2457,58	ECJ2FB1E105K	C 1UF, K, 16V	2	
C2461,62	ECJ2XB1H332K	C 3300PF, K, 50V	2	
C2465,66	ECJ2FB1E105K	C 1UF, K, 16V	2	
C2469,70	ECJ2FB1E105K	C 1UF, K, 16V	2	
C2473,74	ECJ2FB1E105K	C 1UF, K, 16V	2	
C2477,78	ECJ2FB1E105K	C 1UF, K, 16V	2	
C2481-84	ECJ2FB1E224K	C 22UF, K, 16V	4	
C2489,90	ECJ2XB1H332K	C 3300PF, K, 50V	2	
C2497,98	ECJ2FB1E105K	C 1UF, K, 16V	2	
C2512	ECJ3XB0J106M	C 10UF, M, 6.3V	1	
C2515	ECJ1VB1H103K	C 0.01UF, K, 50V	1	
C2517	ECJ1VB1H103K	C 0.01UF, K, 50V	1	TH-37/42PE50B
C3001-03	ECJ1VB1H102K	C 1000PF, K, 50V	3	
C3004	ECJ1XF1C104Z	C 0.1UF, Z, 16V	1	
C3005-07	ECJ2VF1C104Z	C 0.1UF, Z, 16V	3	
C3008,09	F1J1A1050002	C 1UF, Z, 50V	2	
C3011	ECJ1XF1C104Z	C 0.1UF, Z, 16V	1	
C3013,14	F1J1A1050002	C 1UF, Z, 50V	2	
C3015	ECJ2VF1C104Z	C 0.1UF, Z, 16V	1	
C3018	ECJ3YB1A106M	C 10UF, M, 6.3V	1	
C3019-21	F1J1A1050002	C 1UF, Z, 50V	3	
C3024-26	F1J1A1050002	C 1UF, Z, 50V	3	
C3032	ECJ2XB1A105K	C 1UF, K, 10V	1	
C3033	F1J1A1050002	C 1UF, Z, 50V	1	
C3035,36	F1J1A1050002	C 1UF, Z, 50V	2	
C3038	ECJ2VF1C104Z	C 0.1UF, Z, 16V	1	
C3040	ECJ2VF1C104Z	C 0.1UF, Z, 16V	1	
C3043	F1J1A1050002	C 1UF, Z, 50V	1	
C3044	ECJ2VF1C104Z	C 0.1UF, Z, 16V	1	
C3045	F1J1A1050002	C 1UF, Z, 50V	1	TH-37/42PE50B
C3047	F1J1A1050002	C 1UF, Z, 50V	1	
C3049-56	F1J1A1050002	C 1UF, Z, 50V	8	
C3058	ECA1CMH101	E 100UF, 16V	1	
C3059	ECJ2VF1C105Z	C 1UF, Z, 16V	1	
C3060	ECJ2VF1C104Z	C 0.1UF, Z, 16V	1	
C3062-64	ECJ2VF1C104Z	C 0.1UF, Z, 16V	3	
C3207	ECA1AM102	E 1000UF, 10V	1	
C3208	ECJ2YB1C474K	C 0.47UF, K, 16V	1	
C3212	ECJ2VF1C104Z	C 0.1UF, Z, 16V	1	
C3214	ECJ2FF1A106Z	C 0.001UF, Z, 10V	1	

Ref. No.	Part No.	Part Name & Description	Pcs	Remarks
C3216	ECJ2FF1A106Z	C 0.001UF, Z, 10V	1	
C3226-29	ECJ2FF1A106Z	C 0.001UF, Z, 10V	4	
C3230	ECJ2VF1C104Z	C 0.1UF, Z, 16V	1	
C3231	ECJ1XF1C104Z	C 0.1UF, Z, 16V	1	
C3233	ECJ2VF1C104Z	C 0.1UF, Z, 16V	1	
C3235	ECJ1VF1H104Z	C 0.1UF, Z, 50V	1	
C3236	ECA1HM100	E 10UF, 50V	1	
C3241	ECJ2VF1C104Z	C 0.1UF, Z, 16V	1	
C4001	EEVHB0G221P	E 220UF, 4V	1	
C4002	ECJ1XB1C104K	C 0.1UF, Z, 16V	1	
C4003	EEFCD0G560R	56UF,	1	
C4004	ECJ2YB0J225K	C 2.2UF, K, 6.3V	1	
C4005	ECJ1XB1C104K	C 0.1UF, Z, 16V	1	
C4006	ECJ1XC1H471J	C 470PF, J, 50V	1	
C4014,15	ECJ1XB1C104K	C 0.1UF, Z, 16V	2	
C4016	ECJ1VC1H680J		1	
C4018	ECJ1XB1C104K	C 0.1UF, Z, 16V	1	
C4019	ECJ2FB1C684K	C 68UF, Z, 16V	1	
C4020	ECJ1XB1C393K	C 0.039UF, K, 16V	1	
C4023,24	ECJ1XB1C104K	C 0.1UF, Z, 16V	2	
C4025	EEVHB0J470R	E 47UF, 6.3V	1	
C4026	ECJ1XB1C104K	C 0.1UF, Z, 16V	1	
C4027	EEHBE1E330P	C 33PF, J, 25V	1	
C4028,29	ECJ3XB0J106M	C 10UF, M,6.3V	2	
C4030	EEHBE1C100R	C 10PF, J, 16V	1	
C4031-33	ECJ1XB1C104K	C 0.1UF, Z, 16V	3	
C4035	ECJ1VB1H103K	C 0.01UF, K, 50V	1	
C4036	EEVHB0J470R	E 47UF, 6.3V	1	
C4037	ECJ1VB1H103K	C 0.01UF, K, 50V	1	
C4038,39	ECJ1XB1C104K	C 0.1UF, Z, 16V	2	
C4043-45	ECJ1XB1C104K	C 0.1UF, Z, 16V	3	
C4047	ECJ1XC1H101J	C 100PF, J, 50V	1	
C4048	ECJ1XB1C104K	C 0.1UF, Z, 16V	1	
C4049	ECJ1VB1H103K	C 0.01UF, K, 50V	1	
C4050	ECJ1XB1C104K	C 0.1UF, Z, 16V	1	
C4051	ECJ1XC1H102J	C 1000PF, J, 50V	1	
C4052	ECJ1XB0J105K	C 1UF, K, 16V	1	
C4053,54	ECJ1XB1C104K	C 0.1UF, Z, 16V	2	
C4055	ECJ1XB1C823K	C 0.1UF, Z, 16V	1	PAVCCZ
C4056	ECJ1VB1H103K	C 0.1UF, Z, 16V	1	
C4057,58	ECJ2VB1C104K	C 0.1UF, K, 16V	2	
C4059	EEVHB0J470R	E 47UF, 6.3V	1	
C4060	ECJ1XB1C104K	C 0.1UF, Z, 16V	1	
C4061	EEVHB0J470R	E 47UF, 6.3V	1	
C4062	ECJ1XB1C104K	C 0.1UF, Z, 16V	1	
C4063-65	ECJ2VB1C104K	C 0.1UF, K, 16V	3	
C4066	ECJ1XB0J105K	C 1UF, K, 16V	1	
C4070	ECJ1XB1C104K	C 0.1UF, Z, 16V	1	
C4072	ECJ2YB0J225K	C 2.2UF, K, 6.3V	1	
C4100-02	ECJ3XB0J106M	C 10UF, M,6.3V	3	
C4103	ECJ1VB1H103K	C 0.01UF, K, 50V	1	
C4104	ECJ1VB1C105K	C 0.01UF, K, 16V	1	
C4105	ECJ1VB1H103K	C 0.01UF, K, 50V	1	
C4106	ECJ1VB1C105K	C 0.01UF, K, 16V	1	
C4107	ECJ1VB1H103K	C 0.01UF, K, 50V	1	
C4108	ECJ1VB1C105K	C 0.01UF, K, 16V	1	
C4115-17	ECJ3XB0J106M	C 10UF, M,6.3V	3	
C4118-20	ECJ1XC1H390J	C 39PF, J, 50V	3	
C4121,22	ECJ1XB1C104K	C 0.1UF, Z, 16V	2	
C4124	EEHBE1A101P	C 100PF, J, 10V	1	
C4126	EEVHB0J470R	E 47UF, 6.3V	1	
C4127	ECJ1XB1C104K	C 0.1UF, Z, 16V	1	

Ref. No.	Part No.	Part Name & Description	Pcs	Remarks
C4128-31	ECJ1VB1H103K	C 0.01UF, K, 50V	4	
C4132	EEHBOG101R	C 100PF, J, 4V	1	
C4133	ECJ1XB1C104K	C 0.1UF, Z, 16V	1	
C4135	ECJ1XB0J105K	C 1UF, K, 16V	1	
C4136	ECJ1XB1C104K	C 0.1UF, Z, 16V	1	
C4151	ECJ3YB0J335K	C 33UF, J, 25V	1	
C4152	ECJ1VB1H103K	C 0.01UF, K, 50V	1	
C4153-56	ECJ1VB1C105K	C 0.01UF, K, 16V	4	
C4158-66	ECJ1XC1H102J	C 1000PF, J, 50V	9	
C4167	ECJ1XB1C104K	C 0.1UF, Z, 16V	1	
C4168	ECJ1XC1H102J	C 1000PF, J, 50V	1	
C4170-72	ECJ1VB1H103K	C 0.01UF, K, 50V	3	
C4176	ECJ1XB1C104K	C 0.1UF, Z, 16V	1	
C4177,78	ECJ1VB1C105K	C 0.01UF, K, 16V	2	
C4179	ECJ1XB1C104K	C 0.1UF, Z, 16V	1	
C4180	ECJ1VB1H103K	C 0.01UF, K, 50V	1	
C4181	ECJ3XB0J106M	C 10UF, M,6.3V	1	
C4182	ECJ1XB1C104K	C 0.1UF, Z, 16V	1	
C4233	ECJ1XC1H101J	C 100PF, J, 50V	1	
C4234	ECJ1XB1C104K	C 0.1UF, Z, 16V	1	
C4235	ECJ1XF1C104Z	C 0.1UF, Z, 16V	1	
C4351	ECJ1XB1C104K	C 0.1UF, Z, 16V	1	
C4501	EEVHB0J470R	E 47UF, 6.3V	1	
C4502,03	ECJ1XB1C104K	C 0.1UF, Z, 16V	2	
C4504	ECJ1VB1C105K	C 0.01UF, K, 16V	1	
C4505	ECJ1XB1C104K	C 0.1UF, Z, 16V	1	
C4506	ECJ1VB1C105K	C 0.01UF, K, 16V	1	
C4507	ECJ1XB1C104K	C 0.1UF, Z, 16V	1	
C4508	ECJ1VB1C105K	C 0.01UF, K, 16V	1	
C4509	ECJ1XB1C104K	C 0.1UF, Z, 16V	1	
C4510	ECJ1VB1C105K	C 0.01UF, K, 16V	1	
C4511	ECJ1XB1C104K	C 0.1UF, Z, 16V	1	
C4512	ECJ1VB1C105K	C 0.01UF, K, 16V	1	
C4513	ECJ1XB1C104K	C 0.1UF, Z, 16V	1	
C4514	EEVHB0J470R	E 47UF, 6.3V	1	
C4515	ECJ1XB1C104K	C 0.1UF, Z, 16V	1	
C4516-18	ECJ1VB1C105K	C 0.01UF, K, 16V	3	
C4519	ECJ1XB1C104K	C 0.1UF, Z, 16V	1	
C4521	ECJ1XB0J105K	C 1UF, K, 16V	1	
C4522-24	ECJ1XB1C104K	C 0.1UF, Z, 16V	3	
C4525	ECJ1XB0J105K	C 1UF, K, 16V	1	
C4526	ECJ1VB1H103K	C 0.01UF, K, 50V	1	
C4527,28	ECJ1XB0J105K	C 1UF, K, 16V	2	
C4529	ECJ1VB1C105K	C 0.01UF, K, 16V	1	
C4530-34	ECJ1XB1C104K	C 0.1UF, Z, 16V	5	
C4535	ECJ1VB1H103K	C 0.01UF, K, 50V	1	
C4536	ECJ1XB0J105K	C 1UF, K, 16V	1	
C4537	EEVHB0J470R	E 47UF, 6.3V	1	
C4538-51	ECJ1XB1C104K	C 0.1UF, Z, 16V	14	
C4552,53	ECJ1VB1C105K	C 0.01UF, K, 16V	2	
C4554-56	ECJ1XB1C104K	C 0.1UF, Z, 16V	3	
C4560,61	ECJ1VB1H103K	C 0.01UF, K, 50V	2	
C4562	ECJ1XB0J105K	C 1UF, K, 16V	1	
C4565-68	ECJ1XC1H102J	C 1000PF, J, 50V	4	
C4570-74	ECJ1XC1H102J	C 1000PF, J, 50V	5	
C4575	ECJ1XB0J105K	C 1UF, K, 16V	1	
C4576-81	ECJ1XC1H102J	C 1000PF, J, 50V	6	
C4582	ECJ1VB1C105K	C 0.01UF, K, 16V	1	

Ref. No.	Part No.	Part Name & Description	Pcs	Remarks
C4583-95	ECJ1XC1H102J	C 1000PF, J, 50V	13	
C4596	ECJ1VB1H103K	C 0.01UF, K, 50V	1	
C4597	ECJ1XB0J105K	C 1UF, K, 16V	1	
C4598	ECJ1VB1H103K	C 0.01UF, K, 50V	1	
C4599,00	ECJ1XB0J105K	C 1UF, K, 16V	2	
C4601	EEHBOJ330R	C 33PF, J, 6.3V	1	
C4602	ECJ1XB1C104K	C 0.1UF, Z, 16V	1	
C4605	ECJ1VB1H103K	C 0.01UF, K, 50V	1	
C4607-10	ECJ1VB1H103K	C 0.01UF, K, 50V	4	
C4611	ECJ3XB0J106M	C 10UF, M,6.3V	1	
C4612	ECJ1XB1C104K	C 0.1UF, Z, 16V	1	
C4613	ECJ1VB1H103K	C 0.01UF, K, 50V	1	
C4701	ECJ1XB1C104K	C 0.1UF, Z, 16V	1	
C4702	EEFCD0G560R	56UF,	1	
C4703	EEHBOJ220R	C 22PF, J, 6.3V	1	
C4704	ECJ1XB1C104K	C 0.1UF, Z, 16V	1	
C4709	EEVHBOJ470R	E 47UF, 6.3V	1	
C4710,11	ECJ1XB1C104K	C 0.1UF, Z, 16V	2	
C4712	ECJ1VB1C103K	C 0.01UF, K, 16V	1	
C4713	ECJ1XB1C104K	C 0.1UF, Z, 16V	1	
C4714	ECJ1VB1C103K	C 0.01UF, K, 16V	1	
C4715	ECJ1XB1C104K	C 0.1UF, Z, 16V	1	
C4716	ECJ1VB1C103K	C 0.01UF, K, 16V	1	
C4717	ECJ1XB1C104K	C 0.1UF, Z, 16V	1	
C4718	ECJ1VB1C103K	C 0.01UF, K, 16V	1	
C4719-22	ECJ1XB1C104K	C 0.1UF, Z, 16V	4	
C4723	ECJ1VB1C103K	C 0.01UF, K, 16V	1	
C4724	ECJ1XB1C104K	C 0.1UF, Z, 16V	1	
C4725	ECJ1VB1C103K	C 0.01UF, K, 16V	1	
C4726	ECJ1XB1C104K	C 0.1UF, Z, 16V	1	
C4727	ECJ1VB1C103K	C 0.01UF, K, 16V	1	
C4728	ECJ1XB1C104K	C 0.1UF, Z, 16V	1	
C4729	ECJ1VB1C103K	C 0.01UF, K, 16V	1	
C4730	ECJ1XB1C104K	C 0.1UF, Z, 16V	1	
C4731	ECJ1VB1C103K	C 0.01UF, K, 16V	1	
C4732	ECJ1XB1C104K	C 0.1UF, Z, 16V	1	
C4733	ECJ1VB1C103K	C 0.01UF, K, 16V	1	
C4734	ECJ1XB1C104K	C 0.1UF, Z, 16V	1	
C4735	ECJ1VB1C103K	C 0.01UF, K, 16V	1	
C4736	ECJ1XB1C104K	C 0.1UF, Z, 16V	1	
C4737	ECJ1VB1C103K	C 0.01UF, K, 16V	1	
C4855,56	ECJ1XB1C104K	C 0.1UF, Z, 16V	2	
C4858	EEVHBOG221P	E 220UF, 4V	1	
C4859	ECJ1XC1H150J	C 15PF, J, 50V	1	
C4861	ECJ1XC1H150J	C 15PF, J, 50V	1	
C4863	ECJ1XB1C104K	C 0.1UF, Z, 16V	1	
C4864	ECJ3XB0J106M	C 10UF, M,6.3V	1	
C4867,68	ECJ1XC1H101J	C 100PF, J, 50V	2	
C4873	EEVHBOJ470R	E 47UF, 6.3V	1	
C4874	ECJ1XB1C104K	C 0.1UF, Z, 16V	1	
C4875,76	ECJ2VB1C104K	C 0.1UF, K, 16V	2	
C4877	ECJ2XB1A105K	C 1UF, K, 10V	1	
C4878,79	ECJ2VB1C104K	C 0.1UF, K, 16V	2	
C4880	ECJ2XB1A105K	C 1UF, K, 10V	1	
C4881	ECJ1XC1H101J	C 100PF, J, 50V	1	TH-37/42PE50B
C4882	ECJ1VB1H103K	C 0.01UF, K, 50V	1	
C4883	ECJ1XB0J105K	C 1UF, K, 16V	1	
C4892	EEVHBOJ470R	E 47UF, 6.3V	1	
C4893	ECJ1XB1C104K	C 0.1UF, Z, 16V	1	
C4898	ECJ1VB1H103K	C 0.01UF, K, 50V	1	
C4899	ECJ1XB0J105K	C 1UF, K, 16V	1	
C4901	EEHBC100R	C 10PF, J, 16V	1	
C4902	ECJ1VB1H103K	C 0.01UF, K, 50V	1	
C4903	ECJ1XB1C104K	C 0.1UF, Z, 16V	1	
C4904	EEHBC1470P	C 47PF, J, 16V	1	
C4905	ECJ1XB1C104K	C 0.1UF, Z, 16V	1	

Ref. No.	Part No.	Part Name & Description	Pcs	Remarks
C4922	EEVHBOJ470R	E 47UF, 6.3V	1	
C4924	ECJ1XF1C104Z	C 0.1UF, Z, 16V	1	
C4925	EEHBC1470P	C 47PF, J, 16V	1	
C4926	ECJ1XF1C104Z	C 0.1UF, Z, 16V	1	
C4929	EEHBC100R	C 10PF, J, 16V	1	
C4939	EEVHBOG221P	E 220UF, 4V	1	
C4942	ECJ1XB1C104K	C 0.1UF, Z, 16V	1	
C4943	EEHBC1470P	C 47PF, J, 16V	1	
C4945-48	ECJ1XC1H102J	C 1000PF, J, 50V	4	
C4952	ECJ1XC1H101J	C 100PF, J, 50V	1	
C5601	ECA1HM220	E 22UF, 50V	1	
C5604	ECA1HHG100	E 10UF, 50V	1	
C5605	EEUFC1E102	E 1000UF, 25V	1	
C5606	EEUFC1C821	E 820UF, 16V	1	
C5608	ECJ2XB1H103K	C 0.01UF, K, 50V	1	
C5609	ECA1HM220	E 22UF, 50V	1	
C5611	EEUFC1E102	E 1000UF, 25V	1	
C5612	EEUFC1C821	E 820UF, 16V	1	
C5613	ECJ2XB1E104K	C 0.1UF, K, 25V	1	
C5616	ECJ2XB1E104K	C 0.1UF, K, 25V	1	
C5617	EEUFC1C821	E 820UF, 16V	1	
C5618,19	ECJ2XB1E104K	C 0.1UF, K, 25V	2	
C5622	EEUFC1C821	E 820UF, 16V	1	
C5623	ECJ2XB1E104K	C 0.1UF, K, 25V	1	
C5626	ECJ2VF1C104Z	C 0.1UF, Z, 16V	1	
C5631	EEUFC1C102	E 1000UF, 16V	1	
C5637	ECJ2VF1C474Z	C 0.47UF, Z, 16V	1	
C5641-44	ECJ2VF1C104Z	C 0.1UF, Z, 16V	4	
C5670	ECJ2XB1E104K	C 0.1UF, K, 25V	1	
C5672	ECA1HM220	E 22UF, 50V	1	
C5673	ECJ2XB1H103K	C 0.01UF, K, 50V	1	
C5685	ECA1HHG100	E 10UF, 50V	1	
C5686	ECJ2XB1H103K	C 0.01UF, K, 50V	1	
C5813	ECJ2XB1E104K	C 0.1UF, K, 25V	1	
C5818	ECA1CM471	E 470UF, 16V	1	
C5820	ECA1CM102	E 1000UF, 16V	1	
C5821	ECJ2XB1E104K	C 0.1UF, K, 25V	1	
C5823	ECA1CM222	E 2200UF, 16V	1	
C6001-03	F2A2D221A022	E 220UF, 200V	3	
C6005	F1L1E4750004	C 4.7UF, 25V	1	
C6007,08	ECA2CM101	E 100UF, 160V	2	
C6009	ECJ2XB1H103K	C 0.01UF, K, 50V	1	
C6011	F1L2J392A022	C 3900UF, K,6.3V	1	
C6012	F1L2J562A022	C 5600UF, K,6.3V	1	
C6016	F1L2J392A022	C 3900UF, K,6.3V	1	
C6017	F1L2J562A022	C 5600UF, K,6.3V	1	
C6021-30	ECQE2105RKB	P 1UF, 250V	10	
C6031,32	F1L1E4750004	C 4.7UF, 25V	2	
C6034,35	F1L1E4750004	C 4.7UF, 25V	2	
C6037	ECQE2224KF	P 0.22UF, K,250V	1	
C6043,44	F1L1E4750004	C 4.7UF, 25V	2	
C6046	F1L1E4750004	C 4.7UF, 25V	1	
C6047	F2A2D1510004	E 150UF, 200V	1	
C6048	EEUFC1E221	E 220UF, 25V	1	
C6049	F1L1E4750004	C 4.7UF, 25V	1	
C6050,51	TCUY1C105ZFN	C 1UF, 16V	2	
C6053,54	EEUFC1E221	E 220UF, 25V	2	
C6055	ECJ3YB1E105K	C 1UF, K, 25V	1	
C6056	EEUFC1A101	E 100UF, 10V	1	
C6057	F1L1E4750004	C 4.7UF, 25V	1	
C6058	ECJ3YB1E105K	C 1UF, K, 25V	1	
C6060,61	F1K2J471A014	C 470UF, K,6.3V	2	
C6456	ECA2CM101	E 100UF, 160V	1	

Ref. No.	Part No.	Part Name & Description	Pcs	Remarks
C6457	ECA2CHG100	E 10UF, 160V	1	
C6458	F1L1E4750004	C 4.7UF, 25V	1	
C6459	EEUFC1E470	E 47UF, 25V	1	
C6461	ECA1HM101	E 100UF, 50V	1	
C6462-65	F1L1E4750004	C 4.7UF, 25V	4	
C6466	ECJ2XB1H103K	C 0.01UF, K, 50V	1	
C6467	ECJ2XB1H472K	C 4700PF, K, 50V	1	
C6468	TCUY1C105ZFN	C 1UF, 16V	1	
C6469	EEUFC1E221	E 220UF, 25V	1	
C6470	ECA1HM221	E 220UF, 50V	1	
C6471	TCUY1C105ZFN	C 1UF, 16V	1	
C6472	ECJ2VB1H333K	C 0.033UF, K, 50V	1	
C6473	TCUY1C105ZFN	C 1UF, 16V	1	
C6474	ECJ2XB1H103K	C 0.01UF, K, 50V	1	
C6475	EEUFC1E221	E 220UF, 25V	1	
C6476	ECA2CM101	E 100UF, 160V	1	
C6478	ECJ2XB1H103K	C 0.01UF, K, 50V	1	
C6479,80	ECJ2XB1H104K	C 0.1UF, K, 50V	2	
C6490	F1K2J332A014	C 3300UF, K,6.3V	1	
C6491,92	F2A2G100A017	E 100UF, 400V	2	
C6493	ECJ3XB2J222K	C 2200PF, K,630V	1	
C6501-03	ECJ2XB1H104K	C 0.1UF, K, 50V	3	
C6505	ECJ2XB1H104K	C 0.1UF, K, 50V	1	
C6507	ECJ2XB1H104K	C 0.1UF, K, 50V	1	
C6509	ECJ2XC1H102J	C 1000PF, J, 50V	1	
C6511,12	F1L1E4750004	C 4.7UF, 25V	2	
C6513	ECA2CM101	E 100UF, 160V	1	
C6521	F1L1E4750004	C 4.7UF, 25V	1	
C6523	ECA1VM470	E 47UF, 35V	1	
C6524	F1K2J471A014	C 470UF, K,6.3V	1	
C6526	ECA2EHG220	E 22UF, 250V	1	
C6529,30	F1K2J471A014	C 470UF, K,6.3V	2	
C6531,32	F1L1E4750004	C 4.7UF, 25V	2	
C6533,34	F1K2J471A014	C 470UF, K,6.3V	2	
C6541	F1L1E4750004	C 4.7UF, 25V	1	
C6543,44	F1K2J102A014	C 1000PF,	2	
C6546	TCUY1C105ZFN	C 1UF, 16V	1	
C6550	ECA2CM101	E 100UF, 160V	1	
C6551	ECQE2224KF	P 0.22UF, K,250V	1	
C6571	ECJ2XB1H104K	C 0.1UF, K, 50V	1	
C6575	ECJ2XB1H104K	C 0.1UF, K, 50V	1	
C6577	ECJ2XB1H104K	C 0.1UF, K, 50V	1	
C6580,81	TCUY1C105ZFN	C 1UF, 16V	2	
C6584	ECJ3YB1E105K	C 1UF, K, 25V	1	
C6585	TCUY1C105ZFN	C 1UF, 16V	1	
C6587	ECJ3YB1E105K	C 1UF, K, 25V	1	
C6588	TCUY1C105ZFN	C 1UF, 16V	1	
C6589	F1L1E4750004	C 4.7UF, 25V	1	
C6590	TCUY1C105ZFN	C 1UF, 16V	1	
C6591	F1L1E4750004	C 4.7UF, 25V	1	
C6598	ECA1CM220	E 22UF, 16V	1	
C6601-03	F2A2D221A022	E 220UF, 200V	3	
C6607	ECJ3YB1E105K	C 1UF, K, 25V	1	
C6608	ECA1EM471	E 470UF, 25V	1	
C6611	F1L2J392A022	C 3900UF, K,6.3V	1	
C6612	F1L2J562A022	C 5600UF, K,6.3V	1	
C6615	F1L2J562A022	C 5600UF, K,6.3V	1	
C6616	F1L2J392A022	C 3900UF, K,6.3V	1	
C6617	F1L2J562A022	C 5600UF, K,6.3V	1	
C6621-30	ECQE2105RKB	P 1UF, 250V	10	
C6631,32	F1L1E4750004	C 4.7UF, 25V	2	
C6634,35	F1L1E4750004	C 4.7UF, 25V	2	

Ref. No.	Part No.	Part Name & Description	Pcs	Remarks
C6637	F1L1E4750004	C 4.7UF, 25V	1	
C6639	F1L1E4750004	C 4.7UF, 25V	1	
C6647	TCUY1C105ZFN	C 1UF, 16V	1	
C6650	ECQE2224KF	P 0.22UF, K,250V	1	
C6651,52	ECJ2XB1H103K	C 0.01UF, K, 50V	2	
C6655,56	EEUFC1A101	E 100UF, 10V	2	
C6659,60	F1K2J471A014	C 470UF, K,6.3V	2	
C6901-04	TCUY1C105ZFN	C 1UF, 16V	4	
C6911,12	ECJ2XB1H102K	C 1000PF, K, 50V	2	
C6917	ECJ2XB1H221K	C 220PF, K, 50V	1	
C6931	F1L2E1040002	E 1000UF, 25V	1	
C6933	F1L2E1040002	E 1000UF, 25V	1	
C6955-58	TCUY1C105ZFN	C 1UF, 16V	4	
C6971,72	ECJ2XB1H102K	C 1000PF, K, 50V	2	
C6977	F1L2E1040002	E 1000UF, 25V	1	
C6979	F1L2E1040002	E 1000UF, 25V	1	
C7101	ECJ1XB1C104K	C 0.1UF, Z, 16V	1	
C7104-06	TCUY1C105ZFN	C 1UF, 16V	3	
C7108-10	TCUY1C105ZFN	C 1UF, 16V	3	
C7135	ECJ1XB1C104K	C 0.1UF, Z, 16V	1	
C7137	ECJ1XB1C104K	C 0.1UF, Z, 16V	1	37 INCH
C7138,39	ECJ1XB1C104K	C 0.1UF, Z, 16V	2	42 INCH
C7140	ECJ1XB1C104K	C 0.1UF, Z, 16V	1	37 INCH
C7153	ECJ1XC1H101J	C 100PF, J, 50V	1	
C7161	ECJ3XB2A474K	C 0.47UF, 6.3V	1	
C7163	ECJ3XB2A474K	C 0.47UF, 6.3V	1	
C7165	ECJ3XB2A474K	C 0.47UF, 6.3V	1	
C7182	ECJ1XC1H101J	C 100PF, J, 50V	1	
C7186	ECJ1XC1H101J	C 100PF, J, 50V	1	
C7201	ECJ1XB1C104K	C 0.1UF, Z, 16V	1	
C7203-06	TCUY1C105ZFN	C 1UF, 16V	4	
C7208,09	TCUY1C105ZFN	C 1UF, 16V	2	
C7210,11	ECJ1XC1H220J	C 22PF, J, 50V	2	37 INCH
C7218	TCUY1C105ZFN	C 1UF, 16V	1	42 INCH
C7219	TCUY1C105ZFN	C 1UF, 16V	1	
C7222	TCUY1C105ZFN	C 1UF, 16V	1	
C7223	TCUY1C105ZFN	C 1UF, 16V	1	37 INCH
C7226,27	ECJ1XC1H220J	C 22PF, J, 50V	2	42 INCH
C7235	ECJ1XB1C104K	C 0.1UF, Z, 16V	1	
C7237	ECJ1XB1C104K	C 0.1UF, Z, 16V	1	
C7239	ECJ1XB1C104K	C 0.1UF, Z, 16V	1	
C7242	TCUY1C105ZFN	C 1UF, 16V	1	
C7253,54	ECJ1XC1H101J	C 100PF, J, 50V	2	
C7255,56	ECJ1XC1H101J	C 100PF, J, 50V	2	42 INCH
C7266	ECJ3XB2A474K	C 0.47UF, 6.3V	1	
C7268	ECJ3XB2A474K	C 0.47UF, 6.3V	1	
C7270	ECJ3XB2A474K	C 0.47UF, 6.3V	1	
C7272	ECJ3XB2A474K	C 0.47UF, 6.3V	1	
C7282,83	ECJ1XC1H101J	C 100PF, J, 50V	2	37 INCH
C8001	ECJ0EB1C103K	C 0.01UF, K, 16V	1	TH-37/42PE50B
C8002	ECJ0EB1A104K	C 0.1UF, K, 10V	1	TH-37/42PE50B
C8003	ECJ0EB1C103K	C 0.01UF, K, 16V	1	TH-37/42PE50B
C8004	ECJ0EB1A104K	C 0.1UF, K, 10V	1	TH-37/42PE50B
C8005	EEEB1C100R	C 10PF, J, 16V	1	TH-37/42PE50B
C8007	ECJ0EB1H102K	C 1000PF, K, 50V	1	TH-37/42PE50B
C8010	ECJ0EB1H010C	C 1PF, D, 50V	1	TH-37/42PE50B PAVCCZ
C8015	ECJ1VC1H080C	C 8PF, C, 50V	1	TH-37/42PE50B
C8019,20	ECJ0EB1C103K	C 0.01UF, K, 16V	2	TH-37/42PE50B

Ref. No.	Part No.	Part Name & Description	Pcs	Remarks
C8021	ECJ0EB1H102K	C 100PF, K, 50V	1	TH-37/42PE50B
C8030	ECJ0EB1C103K	C 0.01UF, K, 16V	1	TH-37/42PE50B
C8034,35	ECJ1VB1C104K	C 0.1UF, K, 16V	2	TH-37/42PE50B
C8037	ECJ0EB1C103K	C 0.01UF, K, 16V	1	TH-37/42PE50B
C8039,40	ECJ0EB1C103K	C 0.01UF, K, 16V	2	TH-37/42PE50B
C8041	EEHBOG101R	C 100PF, J, 4V	1	TH-37/42PE50B
C8042,43	ECJ1VC1H100C	C 10PF, C, 50V	2	TH-37/42PE50B
C8046,47	ECJ0EB1C103K	C 0.01UF, K, 16V	2	TH-37/42PE50B
C8048	ECJ1VB1H103K	C 0.01UF, K, 50V	1	TH-37/42PE50B
C8051,52	ECJ0EB1C103K	C 0.01UF, K, 16V	2	TH-37/42PE50B
C8055	EEHBOJ470R	C 47PF, J, 6.3V	1	TH-37/42PE50B
C8056	ECJ0EB1C103K	C 0.01UF, K, 16V	1	TH-37/42PE50B
C8058-61	ECJ0EB1C103K	C 0.01UF, K, 16V	4	TH-37/42PE50B
C8071	ECJ0EC1H270J	C 270PF, K, 50V	1	TH-37/42PE50B
C8073	ECJ0EC1H270J	C 270PF, K, 50V	1	TH-37/42PE50B
C8098	ECGRLOG680R	C 68PF, J, 4V	1	TH-37/42PE50B
C8099,00	ECJ0EB1A104K	C 0.1UF, K, 10V	2	TH-37/42PE50B
C8101,02	ECJ1VB0J105K	C 1UF, K, 16V	2	TH-37/42PE50B
C8103,04	ECJ0EB1A104K	C 0.1UF, K, 10V	2	TH-37/42PE50B
C8105	EEHBOG101R	C 100PF, J, 4V	1	TH-37/42PE50B
C8106,07	ECJ1VB0J105K	C 1UF, K, 16V	2	TH-37/42PE50B
C8108	ECJ0EB1A104K	C 0.1UF, K, 10V	1	TH-37/42PE50B
C8109	EEHBOG101R	C 100PF, J, 4V	1	TH-37/42PE50B
C8110	ECJ0EB1A104K	C 0.1UF, K, 10V	1	TH-37/42PE50B
C8121	ECJ0EB1A104K	C 0.1UF, K, 10V	1	TH-37/42PE50B
C8128,29	ECJ0EB1C103K	C 0.01UF, K, 16V	2	TH-37/42PE50B
C8131	ECJ1VB1H103K	C 0.01UF, K, 50V	1	TH-37/42PE50B
C8132	ECJ0EB1C103K	C 0.01UF, K, 16V	1	TH-37/42PE50B
C8134	ECJ1VB1H103K	C 0.01UF, K, 50V	1	TH-37/42PE50B
C8136	ECGRLOG680R	C 68PF, J, 4V	1	TH-37/42PE50B
C8137	ECJ1VB0J334K	C 0.33UF, K, 16V	1	TH-37/42PE50B
C8138	ECJ1VB1H103K	C 0.01UF, K, 50V	1	TH-37/42PE50B
C8139	ECGRLOG680R	C 68PF, J, 4V	1	TH-37/42PE50B
C8140	ECJ1VB1C104K	C 0.1UF, K, 16V	1	TH-37/42PE50B
C8141	ECJ1VB1H103K	C 0.01UF, K, 50V	1	TH-37/42PE50B
C8142	ECJ1VB1C104K	C 0.1UF, K, 16V	1	TH-37/42PE50B
C8143	ECJ1VB1H103K	C 0.01UF, K, 50V	1	TH-37/42PE50B
C8144	ECJ0EB1A104K	C 0.1UF, K, 10V	1	TH-37/42PE50B
C8145	ECJ0EB1C103K	C 0.01UF, K, 16V	1	TH-37/42PE50B
C8146	ECJ1VB1C104K	C 0.1UF, K, 16V	1	TH-37/42PE50B
C8147	ECJ1VB1H103K	C 0.01UF, K, 50V	1	TH-37/42PE50B
C8148	ECJ1VB1C104K	C 0.1UF, K, 16V	1	TH-37/42PE50B
C8149	ECJ1VB0J105K	C 1UF, K, 16V	1	TH-37/42PE50B
C8150	ECJ1VB1H103K	C 0.01UF, K, 50V	1	TH-37/42PE50B
C8151	ECJ1VB1C104K	C 0.1UF, K, 16V	1	TH-37/42PE50B
C8154-56	ECJ1VB1C104K	C 0.1UF, K, 16V	3	TH-37/42PE50B
C8157	ECJ1VB1H103K	C 0.01UF, K, 50V	1	TH-37/42PE50B
C8160	ECJ1VB1C104K	C 0.1UF, K, 16V	1	TH-37/42PE50B
C8161	ECJ1VB1H103K	C 0.01UF, K, 50V	1	TH-37/42PE50B
C8162	ECJ0EB1C103K	C 0.01UF, K, 16V	1	TH-37/42PE50B
C8163	ECJ1VB1H103K	C 0.01UF, K, 50V	1	TH-37/42PE50B
C8164	ECJ0EB1C103K	C 0.01UF, K, 16V	1	TH-37/42PE50B
C8165	ECJ1VB1C104K	C 0.1UF, K, 16V	1	TH-37/42PE50B
C8166	ECJ1VB1H103K	C 0.01UF, K, 50V	1	TH-37/42PE50B
C8167	ECJ1VB1C104K	C 0.1UF, K, 16V	1	TH-37/42PE50B
C8168	ECJ1VB1H103K	C 0.01UF, K, 50V	1	TH-37/42PE50B
C8169	EEHBOG470R	C 47PF, J, 4V	1	TH-37/42PE50B
C8170,71	ECJ1VB1C104K	C 0.1UF, K, 16V	2	TH-37/42PE50B
C8172	EEHBOG470R	C 47PF, J, 4V	1	TH-37/42PE50B
C8173-75	ECJ1VB1H103K	C 0.01UF, K, 50V	3	TH-37/42PE50B
C8176	ECJ1VB1C104K	C 0.1UF, K, 16V	1	TH-37/42PE50B
C8182	ECJ0EC1H121J	C 120PF, K, 50V	1	TH-37/42PE50B

Ref. No.	Part No.	Part Name & Description	Pcs	Remarks
C8186	ECJ0EC1H470J	C 470PF, K, 50V	1	TH-37/42PE50B
C8189	ECJ0EF1C104Z	C 0.10UF, Z, 16V	1	TH-37/42PE50B
C8193	EEHBOJ101P	C 100PF, J, 6.3V	1	TH-37/42PE50B
C8194	ERJ2GE0R00	M 0.0 OHM, J,0.063W	1	TH-37/42PE50B
C8202,03	EEHBC1C470P	C 47PF, J, 16V	2	TH-37/42PE50B
C8204	ECJ3XB1C106M	C 1.0UF, K, 16V	1	TH-37/42PE50B
C8205,06	ECJ1VB1C104K	C 0.1UF, K, 16V	2	TH-37/42PE50B
C8207	EEHBC1C470P	C 47PF, J, 16V	1	TH-37/42PE50B
C8208	ECJ3XB1C106M	C 1.0UF, K, 16V	1	TH-37/42PE50B
C8210	ECJ0EB1A333K	C 0.33UF, K, 10V	1	TH-37/42PE50B
C8212	ECJ0EB1C223K	C 220UF, K, 10V	1	TH-37/42PE50B
C8240	ECJ1VB0J105K	C 1UF, K, 16V	1	TH-37/42PE50B
C8268	ECJ1VB0J105K	C 1UF, K, 16V	1	TH-37/42PE50B
C8269	ECJ1VB1C104K	C 0.1UF, K, 16V	1	TH-37/42PE50B
C8303	ECJ1VB1H103K	C 0.01UF, K, 50V	1	TH-37/42PE50B
C8305,06	ECJ1VB1H103K	C 0.01UF, K, 50V	2	TH-37/42PE50B
C8314	ECJ1VB1C104K	C 0.1UF, K, 16V	1	TH-37/42PE50B
C8315	ECJ2FF1A475Z	C 4.7UF, Z, 10V	1	TH-37/42PE50B
C8317,18	ECJ2FF1A475Z	C 4.7UF, Z, 10V	2	TH-37/42PE50B
C8319	ECJ1VB1C104K	C 0.1UF, K, 16V	1	TH-37/42PE50B
C8320-23	ECJ1VB0J105K	C 1UF, K, 16V	4	TH-37/42PE50B
C8327	EEHBOJ470R	C 47PF, J, 6.3V	1	TH-37/42PE50B
C8329	ECJ1VB1H103K	C 0.01UF, K, 50V	1	TH-37/42PE50B
C8330,31	ECJ0EC1H181J	C 180PF, K, 50V	2	TH-37/42PE50B
C8332	ECJ1VB1H103K	C 0.01UF, K, 50V	1	TH-37/42PE50B
C8334,35	ECJ0EC1H330J	C 330PF, K, 50V	2	TH-37/42PE50B
C8340	ECJ0EB1C682K	C 680UF, K, 10V	1	TH-37/42PE50B
C8341	ECJ0EB1C822K	C 820UF, K, 10V	1	TH-37/42PE50B
C8342,43	ECGRLOG680R	C 68PF, J, 4V	2	TH-37/42PE50B
C8344	ECJ0EB1C223K	C 220UF, K, 10V	1	TH-37/42PE50B
C8345	ECJ0EB1A273K	C 0.27UF, K, 10V	1	TH-37/42PE50B PAVCCZ
C8349-51	ECJ1VB1C104K	C 0.1UF, K, 16V	3	TH-37/42PE50B
C8361	EEHBC1C470P	C 47PF, J, 16V	1	TH-37/42PE50B
C8372	ECJ1VB1C104K	C 0.1UF, K, 16V	1	TH-37/42PE50B
C8376	ECJ1VB1C104K	C 0.1UF, K, 16V	1	TH-37/42PE50B
C8397	ECJ1VB1C104K	C 0.1UF, K, 16V	1	TH-37/42PE50B
C8401	ECJ1VB1H103K	C 0.01UF, K, 50V	1	TH-37/42PE50B
C8403,04	ECJ0EF1C104Z	C 0.10UF, Z, 16V	2	TH-37/42PE50B
C8406,07	ECJ0EF1C104Z	C 0.10UF, Z, 16V	2	TH-37/42PE50B
C8409	ECJ0EF1C104Z	C 0.10UF, Z, 16V	1	TH-37/42PE50B
C8410	ECJ1VB1C104K	C 0.1UF, K, 16V	1	TH-37/42PE50B
C8413-16	ECJ0EF1C104Z	C 0.10UF, Z, 16V	4	TH-37/42PE50B
C8419	ECJ0EF1C104Z	C 0.10UF, Z, 16V	1	TH-37/42PE50B
C8421	ECJ1VB1H103K	C 0.01UF, K, 50V	1	TH-37/42PE50B
C8423	ECJ1VB1C104K	C 0.1UF, K, 16V	1	TH-37/42PE50B
C8425	ECJ1VB1C104K	C 0.1UF, K, 16V	1	TH-37/42PE50B
C8427	EEHBOJ101P	C 100PF, J, 6.3V	1	TH-37/42PE50B
C8428	ECJ0EF1C104Z	C 0.10UF, Z, 16V	1	TH-37/42PE50B
C8430-32	ECJ0EF1C104Z	C 0.10UF, Z, 16V	3	TH-37/42PE50B
C8433,34	ECJ0EB1C103K	C 0.01UF, K, 16V	2	TH-37/42PE50B
C8467	ECJ1VB1H103K	C 0.01UF, K, 50V	1	TH-37/42PE50B
C8501,02	ECJ0EC1H180J	C 180PF, K, 50V	2	TH-37/42PE50B
C8504	ECJ1VF1A105Z	C 1UF, Z, 10V	1	TH-37/42PE50B
C8506	ECJ2VF1C105Z	C 1UF, Z, 16V	1	TH-37/42PE50B
C8507	ECJ1XC1H102J	C 1000PF, J, 50V	1	TH-37/42PE50B
C8508	ECJ1XF1C334Z	C 0.33UF, Z, 16V	1	TH-37/42PE50B
C8509	EEHBOJ101P	C 100PF, J, 6.3V	1	TH-37/42PE50B
C8870	ECJ1XC1H471J	C 470PF, J, 50V	1	TH-37/42PE50B
C8872	ECJ2FB0J225K	C 2.2UF, Z, 16V	1	TH-37/42PE50B

Ref. No.	Part No.	Part Name & Description	Pcs	Remarks
C8910	ECJ0EF1H103Z	C 0.01UF, Z, 50V	1	TH-37/42PE50B
C9000	EEEB1C470P	C 47PF, J, 16V	1	
C9001	ECJ1XF1C104Z	C 0.1UF, Z, 16V	1	
C9004,05	ECJ1XF1C104Z	C 0.1UF, Z, 16V	2	
C9006	FLJ0J1060004	C 0.010UF, K, 16V	1	
C9007	EEEB1C470P	C 47PF, J, 16V	1	
C9008	ECJ1XF1C104Z	C 0.1UF, Z, 16V	1	
C9009	FLJ0J1060004	C 0.010UF, K, 16V	1	
C9010-12	ECJ1XF1C104Z	C 0.1UF, Z, 16V	3	
C9013	ECJ1VF1H103Z	C 0.01UF, Z, 50V	1	
C9014	ECJ1XC1H101K	C 100PF, K, 50V	1	
C9015-22	ECJ1XF1C104Z	C 0.1UF, Z, 16V	8	
C9023	EEEB1C470P	C 47PF, J, 16V	1	
C9024	ECJ1XC1H271J	C 270PF, J, 50V	1	
C9025	ECJ1XF1C104Z	C 0.1UF, Z, 16V	1	
C9026,27	ECJ2VF1C105Z	C 1UF, Z, 16V	2	
C9028-31	ECJ1XF1C104Z	C 0.1UF, Z, 16V	4	
C9033	ECJ1XF1C104Z	C 0.1UF, Z, 16V	1	
C9035,36	ECJ1XF1C104Z	C 0.1UF, Z, 16V	2	
C9201,02	ECJ1XB1C104K	C 0.1UF, Z, 16V	2	
C9203	ECJ1XC1H150J	C 15PF, J, 50V	1	
C9204	ECJ1VC1H080C	C 8PF, C, 50V	1	
C9205	FLJ0J1060004	C 0.010UF, K, 16V	1	
C9206,07	ECJ1XB1C104K	C 0.1UF, Z, 16V	2	
C9303	ECJ1XF1C104Z	C 0.1UF, Z, 16V	1	
C9304-57	ECJ1XB1C104K	C 0.1UF, Z, 16V	54	
C9358	EEEB0G221P	C 220PF, J, 4V	1	
C9359	ECJ1XB1C104K	C 0.1UF, Z, 16V	1	
C9360	ECJ1XF1C104Z	C 0.1UF, Z, 16V	1	
C9500	ECJ2VF1C105Z	C 1UF, Z, 16V	1	
C9502	ECJ2VF1C105Z	C 1UF, Z, 16V	1	
C9503-12	ECJ1XB1C104K	C 0.1UF, Z, 16V	10	
C9513	EEEB1C470P	C 47PF, J, 16V	1	
C9514-17	ECJ1XB1C104K	C 0.1UF, Z, 16V	4	
C9518	EEEB1C470P	C 47PF, J, 16V	1	
C9519	ECJ1XC1H101K	C 100PF, K, 50V	1	
C9701,02	ECJ1XF1C104Z	C 0.1UF, Z, 16V	2	
C9703	FLJ0J1060004	C 0.010UF, K, 16V	1	
C9705,06	FLJ0J1060004	C 0.010UF, K, 16V	2	
C9707	EEEB1C470P	C 47PF, J, 16V	1	
C9712,13	FLJ0J1060004	C 0.010UF, K, 16V	2	
C9714,15	ECGRL0G680R	C 68PF, J, 4V	2	
C9716	ECJ1XC1H220J	C 22PF, J, 50V	1	
C9718	ECJ1XC1H220J	C 22PF, J, 50V	1	
C9719,20	ECJ1XC1H102J	C 1000PF, J, 50V	2	
C9721,22	ECJ1XF1C104Z	C 0.1UF, Z, 16V	2	
C9723,24	ECJ2XB1H104K	C 0.1UF, K, 50V	2	
C9725	ECJ1XC1H102J	C 1000PF, J, 50V	1	
C9727	ECJ1XC1H102J	C 1000PF, J, 50V	1	
C9728,29	ECJ3XF1C475Z	C 4.7UF, Z, 16V	2	
C9730,31	EEEB1C470P	C 47PF, J, 16V	2	
C9732	ECJ1VF1H103Z	C 0.01UF, Z, 50V	1	
C9733	ECJ1XF1C104Z	C 0.1UF, Z, 16V	1	
C9734,35	EEEB1C470P	C 47PF, J, 16V	2	
C9736	ECJ1XF1C104Z	C 0.1UF, Z, 16V	1	

Ref. No.	Part No.	Part Name & Description	Pcs	Remarks
C9739,40	ECJ1XB1C104K	C 0.1UF, Z, 16V	2	
C9741	ECJ3XF1C475Z	C 4.7UF, Z, 16V	1	
C9742	ECJ1XF1C104Z	C 0.1UF, Z, 16V	1	
C9743,44	ECJ3XF1C475Z	C 4.7UF, Z, 16V	2	
C9900,01	ECJ1VF1H103Z	C 0.01UF, Z, 50V	2	
CB1-B7	K1MN68BA0002	68P CONNECTOR	7	
CN8202	K1KA16A00204	16P CONNECTOR	1	PAVCCZ
D3	K1KA30AA0009	30P CONNECTOR	1	
D003	MA152K	DIODE	1	
D4	K1KA14A00248	14P CONNECTOR	1	
D5	K1KA31A00007	31P CONNECTOR	1	
D6	K1KA20A00310	20P CONNECTOR	1	
D8	K1KA08AA0104	08P CONNECTOR	1	
D20	K1KA20AA0008	20P CONNECTOR	1	
D25	K1KA20AA0009	20P CONNECTOR	1	
D33,34	K1MN55BA0076	55P CONNECTOR	2	
D1151	MA8120M	ZENER DIODE	1	
D1154-61	MA8062MTX	ZENER DIODE	8	
D1162	LN1271RALTR	LED	1	
D2011-14	MA111	DIODE	4	
D2104	MA152K	DIODE	1	
D2105-09	MA8140M	ZENER DIODE	5	
D2111	MA8140M	ZENER DIODE	1	
D2114	MA8140M	ZENER DIODE	1	
D2116-18	MA8140M	ZENER DIODE	3	
D2119	BOBC01100001	DIODE	1	
D2120	MA152K	DIODE	1	
D2300,01	MA111	DIODE	2	
D2303,04	MA111	DIODE	2	
D2315,16	BOJCDD000002	DIODE	2	
D2319,20	BOJCDD000002	DIODE	2	
D2332	MA111	DIODE	1	
D2512	MA8056M	ZENER DIODE	1	
D2513,14	MA152K	DIODE	2	
D2520	B3AAA0000770	DIODE	1	
D2523	MA152K	DIODE	1	
D2524	MA8056M	ZENER DIODE	1	
D2525	B3ACA0000272	DIODE	1	TH-37/42PE50B PAVCCZ
D2526	MA8056M	ZENER DIODE	1	TH-37/42PE50B
D2529	MA8056-M	DIODE	1	
D3002-12	MA8140M	ZENER DIODE	11	
D3015-19	MA8140M	ZENER DIODE	5	
D3021	MA152	DIODE	1	
D3023	MA111	DIODE	1	
D3024	BOBC01100001	DIODE	1	
D3025	MA8140M	ZENER DIODE	1	
D3026	MA111	DIODE	1	
D3100	MA8140M	ZENER DIODE	1	
D4231	MA111	DIODE	1	
D5610	MA3X78900L	ZENER DIODE	1	
D5614	BOBC6R600005	DIODE	1	
D5615	BOBC4R700007	DIODE	1	
D5616	BOBC6R600005	DIODE	1	
D5617	BOBC01100001	DIODE	1	
D5618	BOBC03900015	DIODE	1	
D5637,38	MA152	DIODE	2	
D5639	MA3047H	ZENER DIODE	1	

Ref. No.	Part No.	Part Name & Description	Pcs	Remarks
D5640	MA3068H	ZENER DIODE	1	
D5641	MA152	DIODE	1	
D5642	MA3100H	ZENER DIODE	1	
D5643	MA152	DIODE	1	
D5644	MA3068M	ZENER DIODE	1	
D5645-47	MA152	DIODE	3	
D6001,02	B0HBSN000008	DIODE	2	
D6015	B0ECHP000003	DIODE	1	
D6020	B0HBSN000008	DIODE	1	
D6021	B0ECHP000003	DIODE	1	
D6022	B0HBSN000008	DIODE	1	
D6023	B0ECHP000003	DIODE	1	
D6024	B0HBSN000008	DIODE	1	
D6029	B0HBSN000008	DIODE	1	
D6035	MA8033L	ZENER DIODE	1	
D6036	MA111	DIODE	1	
D6040,41	B0ECHP000003	DIODE	2	
D6051	B0ECHP000003	DIODE	1	
D6052,53	B0JCME000037	DIODE	2	
D6054	B0ECHP000003	DIODE	1	
D6055	B0JCME000037	DIODE	1	
D6057	B0ECHP000003	DIODE	1	
D6058-59	MA111	DIODE	2	
D6060	MA111	DIODE	1	42 INCH
D6061	MA8082MTX	ZENER DIODE	1	42 INCH
D6062	MA111	DIODE	1	
D6063	MA8051L	ZENER DIODE	1	
D6064	MA111	DIODE	1	
D6065	LNJ301MPUJA	LED	1	
D6066,67	MA8330M	ZENER DIODE	2	
D6070	MA111	DIODE	1	42 INCH
D6451	B0JCME000037	DIODE	1	
D6452,53	MA111	DIODE	2	
D6455	MA111	DIODE	1	
D6456	B0ECHP000003	DIODE	1	
D6459	MA111	DIODE	1	
D6460,61	B0HCKS000002	DIODE	2	
D6462	B0JCME000037	DIODE	1	
D6463	MA8056H	ZENER DIODE	1	
D6464	B0JCME000037	DIODE	1	
D6465,66	MA8330M	ZENER DIODE	2	
D6467	B0ECHP000003	DIODE	1	
D6468	MA111	DIODE	1	
D6470,71	MA111	DIODE	2	
D6473	MA111	DIODE	1	
D6475	MA111	DIODE	1	
D6476	B0ECHP000003	DIODE	1	
D6477	MA111	DIODE	1	
D6478	B0HCKS000002	DIODE	1	
D6479	MA111	DIODE	1	
D6481,82	MA8330M	ZENER DIODE	2	
D6483-90	MA8056H	ZENER DIODE	8	
D6491,92	B0ECHP000003	DIODE	2	
D6495	B0HCKS000002	DIODE	1	
D6496	B0JCME000037	DIODE	1	
D6501,02	MA111	DIODE	2	
D6503	MA8056H	ZENER DIODE	1	
D6509	MA111	DIODE	1	
D6511	B0HCMM000014	DIODE	1	
D6512-14	MA111	DIODE	3	
D6515	MA8240M	ZENER DIODE	1	

Ref. No.	Part No.	Part Name & Description	Pcs	Remarks
D6516	MA111	DIODE	1	
D6519	MA111	DIODE	1	
D6520	B0JCKG000002	DIODE	1	
D6521	B0ECHP000003	DIODE	1	
D6522	MA111	DIODE	1	
D6523	B0ECHP000003	DIODE	1	
D6524	MA8051L	ZENER DIODE	1	
D6525	MA111	DIODE	1	
D6526	B0HCMM000014	DIODE	1	
D6527	MA111	DIODE	1	
D6529	B0JCME000037	DIODE	1	
D6541	B0HCKS000002	DIODE	1	
D6542	MA111	DIODE	1	
D6543	B0HCKS000002	DIODE	1	
D6544	MA111	DIODE	1	
D6545	MA8051L	ZENER DIODE	1	
D6546-48	MA8330M	ZENER DIODE	3	
D6549,50	MA111	DIODE	2	
D6551	B0JCME000037	DIODE	1	
D6552,53	MA111	DIODE	2	
D6554	B0HCKS000002	DIODE	1	
D6570	B0HCMM000014	DIODE	1	
D6572	B0ECHP000003	DIODE	1	
D6582	MA8051L	ZENER DIODE	1	
D6583	LNJ301MPUJA	LED	1	
D6584	MA111	DIODE	1	
D6585,86	MA8330M	ZENER DIODE	2	
D6601,02	B0HBSN000008	DIODE	2	
D6615	B0ECHP000003	DIODE	1	
D6620	B0HBSN000008	DIODE	1	
D6621	B0ECHP000003	DIODE	1	
D6622	B0HBSN000008	DIODE	1	
D6623	B0ECHP000003	DIODE	1	
D6624	B0HBSN000008	DIODE	1	
D6629	B0HBSN000008	DIODE	1	
D6635	MA8033L	ZENER DIODE	1	
D6636	MA111	DIODE	1	
D6640	B0ECHP000003	DIODE	1	
D6647	B0ECHP000003	DIODE	1	
D6901-03	MA8056H	ZENER DIODE	3	
D6905	D1FL40F4063	DIODE	1	
D6909,10	D1FL40F4063	DIODE	2	
D6956,57	MA8056H	ZENER DIODE	2	
D6961,62	D1FL40F4063	DIODE	2	
D8002	MA728	DIODE	1	TH-37/42PE50B
D8006	MA3082HTX	ZENER DIODE	1	TH-37/42PE50B
D8203,04	B0JCPE000004	DIODE	2	TH-37/42PE50B PAVCCZ
D8501	HVU359TRF	DIODE	1	TH-37/42PE50B
D9000-02	MA3033	ZENER DIODE	3	
D9011,12	MA728	DIODE	2	
D9015,16	MA152K	DIODE	2	
D9700,01	MA728	DIODE	2	
D9900,01	MA152K	DIODE	2	
DG1	KLMN40A00024	40P CONNECTOR	1	TH-37/42PE50B
DG2	KLMN40A00024	40P CONNECTOR	1	
DG3	K1KA20B00155	20P CONNECTOR	1	
DG5	K1KA21B00008	21P CONNECTOR	1	
DG20	K1MN30A00068	30P CONNECTOR	1	
DG22	K1KBB0A00005	CONNECTOR	1	TH-37/42PE50B
DG32	K1KA08AA0150	8P CONNECTOR	1	

Ref. No.	Part No.	Part Name & Description	Pcs	Remarks
FL1100	J0HABH000012	LC FILTER	1	
FL4006-08	J0HABH000012	LC FILTER	3	TH-37/42PE50B
FL4016, 17	J0HABH000012	LC FILTER	2	
FL4020-23	J0HABH000012	LC FILTER	4	
FL7106	J0HABH000013	LC FILTER	1	
FL7201	J0HABH000013	LC FILTER	1	37 INCH
FL7208	J0HABH000013	LC FILTER	1	42 INCH
FL8201	TAX10075	EMI FILTER	1	TH-37/42PE50B
FL9000-04	J0HABH000013	LC FILTER	5	
FL9300-02	J0HABH000013	LC FILTER	3	
FL9701, 02	J0HABH000012	LC FILTER	2	
FL9703, 04	J0HABH000013	LC FILTER	2	
FL9900, 01	J0HABH000013	LC FILTER	2	
H1	K1MN40B00045	40P CONNECTOR	1	TH-37/42PE50B
H2	K1MN40B00045	40P CONNECTOR	1	
H5	K1KA15A00064	15P CONNECTOR	1	
H6	K1KA09A00064	9P CONNECTOR	1	
H12	K1KA09AA0190	9P CONNECTOR	1	
H15	K1KA04AA0150	4P CONNECTOR	1	
H30	K1MN30A00068	30P CONNECTOR	1	
H50	K1MN35A00013	35P CONNECTOR	1	
H53	K1KA12AA0178	12P CONNECTOR	1	
HMM1-M4	TMM25401	CLAMPER	4	
IC1103	C0DBEZG00013	IC	1	
IC1104	C2CBYF000032	IC	1	PAVCCZ
IC1105	TC4066BF	MOS IC	1	
IC1106	CXA1875AM	LINEAR IC	1	
IC1107	TVRN563	IC	1	PAVCCZ
IC1108	C0EBE0000336	IC	1	
IC1109	C0JBBZ000281	IC	1	
IC1110	C0CBCBD00043	IC	1	
IC1114	C3ABPG000133	IC	1	
IC1115	TVRN561	IC	1	PAVCCZ
IC1117	C0JBAZ002186	IC	1	
IC1235	C0ZBZ0000800	IC	1	
IC2103	AN77L08M	IC	1	
IC2104	NJM2115M	IC	1	
IC2105	AN15861A-VT	IC	1	
IC2106	C1AB00002135	IC	1	
IC2107	C0DBEZE00006	IC	1	
IC2108	C0EBF0000354	IC	1	
IC2111, 12	NJM2521MTE1	IC	2	TH-37/42PE50B
IC2300	C1BB00000800	IC	1	
IC2302	NJM2904M	LINEAR IC	1	
IC2305, 06	C1BB00000818	IC	2	
IC3001, 02	C1AB00001486	IC	2	
IC3004	C1AB00001487	IC	1	
IC3005	AN15866A-VT	IC	1	PAVCCZ
IC3006	CXA1315M	LINEAR IC	1	
IC4005	C1AB00002204	IC	1	
IC4008	C0CBCBD00008	IC	1	
IC4012	C1AB00001834	IC	1	
IC4014	C0JBAZ002186	IC	1	
IC4016	C0FBBD000065	IC	1	
IC4021	C0JBAP000020	IC	1	
IC4024	C0DBZFG00055	IC	1	
IC4025	C0CBCAC00275	IC	1	
IC4041	C0CBCAC00275	IC	1	
IC4042	C0DBEJG00001	IC	1	
IC4044	C0CBCAC00136	IC	1	

Ref. No.	Part No.	Part Name & Description	Pcs	Remarks
IC4048	C0DBEJG00001	IC	1	
IC4049	C0CBCBF00009	IC	1	
IC4051	C1ZBZ0002790	IC	1	
IC4054	C1AB00002234	IC	1	
IC4055	C3ABQJ000040	IC	1	
IC4063	C0EBC0000150	IC	1	
IC5601, 02	NOBF2DE00001	IC	2	
IC5603	C0DBAJB00004	IC	1	
IC5803	C0DAEZH00017	IC	1	
IC6001-03	C0ZBZ0000895	IC	3	
IC6004	C0ZBZ0000735	IC	1	
IC6005	NJM2903M	INTEGRATED CIRCUIT	1	COBBBA000019
IC6006	C0JBAZ000005	IC	1	
IC6011	AN1431M	LINEAR IC	1	
IC6451	AN1431M	LINEAR IC	1	
IC6452, 53	C0CBALC00010	IC	2	
IC6454, 55	C0CBADC00075	IC	2	
IC6456	AN1431M	LINEAR IC	1	
IC6471, 72	AN1431M	LINEAR IC	2	
IC6491	AN1431M	LINEAR IC	1	
IC6501, 02	C0JBAZ000994	IC	2	
IC6511	C0ZBZ0000735	IC	1	
IC6512	C0CBADC00075	IC	1	
IC6521	C0ZBZ0000735	IC	1	
IC6541, 42	C0ZBZ0000735	IC	2	
IC6543	C0CBADC00075	IC	1	
IC6581	NJM2903M	INTEGRATED CIRCUIT	1	
IC6601, 02	C0ZBZ0000895	IC	2	
IC6605, 06	C0JBAZ000005	IC	2	
IC6607	C0JBAA000174	IC	1	
IC6901-04	AN16021A-VT	IC	4	
IC6955-58	AN16021A-VT	IC	4	
IC7101	C0JBAZ001120	IC	1	
IC7104-06	C0JBAZ001120	IC	3	
IC7201-04	C0JBAZ001120	IC	4	
IC8003	STV0360	IC	1	TH-37/42PE50B PAVCCZ
IC8009	C3ABQG000095	IC	1	TH-37/42PE50B PAVCCZ
IC8013	MN2WS0025AEA	IC	1	TH-37/42PE50B PAVCCZ
IC8019	C3FBPG000015	IC	1	TH-37/42PE50B PAVCCZ
IC8023, 24	C0DBAMH00018	IC	2	TH-37/42PE50B PAVCCZ
IC8029	C0FBBK000038	IC	1	TH-37/42PE50B
IC8031	BA15218FDX	IC	1	TH-37/42PE50B
IC8034	C0DBEJG00001	IC	1	TH-37/42PE50B
IC8042	C0EBM0000027	IC	1	TH-37/42PE50B
IC8043	C0EBE0000336	IC	1	TH-37/42PE50B
IC8213	74LVC245APWR	IC	1	TH-37/42PE50B PAVCCZ
IC8401	MIC2548-1BM	IC	1	TH-37/42PE50B PAVCCZ
IC8402	74LVC4245AD	IC	1	TH-37/42PE50B PAVCCZ
IC8404	C0JBCZ000255	IC	1	TH-37/42PE50B
IC8408-11	C0JBCZ000255	IC	4	TH-37/42PE50B
IC8412	74LVC245APWR	IC	1	TH-37/42PE50B PAVCCZ
IC8501	74VHCU04MX	IC	1	TH-37/42PE50B PAVCCZ
IC8864	C0DBFFD00003	IC	1	TH-37/42PE50B
IC9001	TVRN460	IC	1	



Ref. No.	Part No.	Part Name & Description	Pcs	Remarks
IC9003	C2CBJG000441	IC	1	PAVCCZ
IC9004	C0EBE0000120	IC	1	
IC9005, 06	C0JBAZ000856	IC	2	
IC9007	TVRN462	IC	1	
IC9008	C0DBEJG00001	IC	1	
IC9200	C1ZBZ0002769	IC	1	
IC9300	MN84512-A	IC	1	
IC9301	PST9128NR	IC (LOGIC)	1	
IC9302	C3ABQJ000031	IC	1	
IC9303	TVRN461	IC	1	
IC9500	C1ZBZ0002599	IC	1	
IC9502	C0JBAZ000856	IC	1	
IC9504	C0JBAZ000856	IC	1	
IC9700	C0DBEJG000001	IC	1	
IC9702	C0DBAZH00020	IC	1	
JK2002, 03	K2HA204A0038	JACK	2	
JK3002-04	K1FB121A0006	JACK	3	
JK3005	K2HA307A0008	JACK	1	
JK8201	K1KAB0A00010	110P CONNECTOR	1	TH-37/42PE50B
JK8401	K1NA68B00038	68P CONNECTOR	1	TH-37/42PE50B PAVCCZ
JS012	ERJ3GEY0R00	M 0 OHM, 1/16W	1	TH-37/42PE50B
JS1000	ERJ3GEY0R00	M 0 OHM, 1/16W	1	
JS1177	ERJ3GEY0R00	M 0 OHM, 1/16W	1	
JS2002	ERJ3GEY0R00	M 0 OHM, 1/16W	1	
JS2021, 22	ERJ3GEY0R00	M 0 OHM, 1/16W	2	
JS2026	ERJ3GEY0R00	M 0 OHM, 1/16W	1	
JS2031-33	ERJ3GEY0R00	M 0 OHM, 1/16W	3	
JS2101	ERJ3GEY0R00	M 0 OHM, 1/16W	1	TH-37/42PA50E
JS2102	ERJ3GEY0R00	M 0 OHM, 1/16W	1	TH-37/42PE50B
JS2105, 06	ERJ3GEY0R00	M 0 OHM, 1/16W	2	
JS2108	ERJ3GEY0R00	M 0 OHM, 1/16W	1	
JS2109	ERJ6GEY0R00	M 0 OHM, 1/10W	1	
JS2112-13	ERJ3GEY0R00	M 0 OHM, 1/16W	2	TH-37/42PA50E
JS2114	ERJ3GEY0R00	M 0 OHM, 1/16W	1	
JS2304-11	ERJ6GEY0R00	M 0 OHM, 1/10W	8	
JS2315	ERJ3GEY0R00	M 0 OHM, 1/16W	1	
JS2317-24	ERJ6GEY0R00	M 0 OHM, 1/10W	8	
JS2329-32	ERJ6GEY0R00	M 0 OHM, 1/10W	4	
JS3001	ERJ3GEY0R00	M 0 OHM, 1/16W	1	
JS3005	ERJ6GEY0R00	M 0 OHM, 1/10W	1	
JS3007-20	ERJ6GEY0R00	M 0 OHM, 1/10W	14	
JS3022, 23	ERJ3GEY0R00	M 0 OHM, 1/16W	2	
JS3201	ERJ3GEY0R00	M 0 OHM, 1/16W	1	
JS3206	ERJ3GEY0R00	M 0 OHM, 1/16W	1	
JS3302-04	ERJ3GEY0R00	M 0 OHM, 1/16W	3	
JS3401-08	ERJ3GEY0R00	M 0 OHM, 1/16W	8	
JS4002	ERJ3GEY0R00	M 0 OHM, 1/16W	1	
JS4004-06	ERJ3GEY0R00	M 0 OHM, 1/16W	3	
JS4014	ERJ3GEY0R00	M 0 OHM, 1/16W	1	
JS4022, 23	ERJ3GEY0R00	M 0 OHM, 1/16W	2	
JS4025-26	ERJ3GEY0R00	M 0 OHM, 1/16W	2	TH-37/42PE50B
JS4027-30	ERJ3GEY0R00	M 0 OHM, 1/16W	4	
JS4081	ERJ3GEY0R00	M 0 OHM, 1/16W	1	
JS4084	ERJ3GEY0R00	M 0 OHM, 1/16W	1	
JS4085-86	ERJ3GEY0R00	M 0 OHM, 1/16W	2	TH-37/42PE50B

Ref. No.	Part No.	Part Name & Description	Pcs	Remarks
JS4087	ERJ3GEY0R00	M 0 OHM, 1/16W	1	TH-37/42PA50E
JS4088-92	ERJ3GEY0R00	M 0 OHM, 1/16W	5	
JS4095, 96	ERJ3GEY0R00	M 0 OHM, 1/16W	2	
JS4901	ERJ3GEY0R00	M 0 OHM, 1/16W	1	
JS5602	ERJ3GEY0R00	M 0 OHM, 1/16W	1	
JS5609-12	ERJ6GEY0R00	M 0 OHM, 1/10W	4	
JS5801, 02	ERJ6GEY0R00	M 0 OHM, 1/10W	2	
JS5805-08	ERJ6GEY0R00	M 0 OHM, 1/10W	4	
JS5810-18	ERJ6GEY0R00	M 0 OHM, 1/10W	9	
K1	K1KA12BA0053	12P CONNECTOR	1	
L003-05	J0JCC0000364	CHIP INDUCTOR	3	
L006,07	J0JCC0000241	CHIP INDUCTOR	2	
L008	EXC3BB221H	BEAD CHOKE	1	
L012	J0JCC0000241	CHIP INDUCTOR	1	
L017,18	J0JGC0000021	CHIP INDUCTOR COIL	2	
L019	J0JCC0000241	CHIP INDUCTOR	1	TH-37/42PA50E
L1009	J0JHC0000078	CHIP INDUCTOR	1	
L1110-14	J0JHC0000078	CHIP INDUCTOR	5	
L1120	J0JHC0000078	CHIP INDUCTOR	1	
L1170	J0JHC0000078	CHIP INDUCTOR	1	
L1172	ELJFA8R2KB	CHIP INDUCTOR	1	
L1174	J0JCC0000241	CHIP INDUCTOR	1	
L1175,76	J0JHC0000078	CHIP INDUCTOR	2	
L2001,02	J0JCC0000364	CHIP INDUCTOR	2	
L2003-16	EXC3BB221H	BEAD CHOKE	14	
L2101,02	EXCELDR35C	BEAD CHOKE	2	TH-37/42PE50B
L2107,08	J0JCC0000241	CHIP INDUCTOR	2	
L2109,10	TSK1032	BEAD CHOKE	2	
L2111,12	J0JCC0000241	CHIP INDUCTOR	2	
L2113,14	TSK1032	BEAD CHOKE	2	
L2115	J0JCC0000241	CHIP INDUCTOR	1	
L2117	ELESE6R8KA	PEAKING COIL	1	
L2118	EXCELDR35C	BEAD CHOKE	1	
L2120	J0JCC0000241	CHIP INDUCTOR	1	
L2121	EXCELDR35C	BEAD CHOKE	1	
L2122	TSK1032	BEAD CHOKE	1	
L2123	J0JCC0000241	CHIP INDUCTOR	1	
L2178,79	J0JCC0000241	CHIP INDUCTOR	2	
L2182-87	J0JCC0000241	CHIP INDUCTOR	6	
L2204	J0JCC0000241	CHIP INDUCTOR	1	
L2305,06	G0A100ZA0033	CHOKE COIL	2	
L2312,13	G0A100ZA0033	CHOKE COIL	2	
L2316-19	J0JJC0000011	CHIP INDUCTOR	4	
L3001-03	EXC3BB221H	BEAD CHOKE	3	
L3004,05	J0JCC0000241	CHIP INDUCTOR	2	
L3008,09	J0JCC0000241	CHIP INDUCTOR	2	
L3201	TSK1040	FERRITE CORE	1	
L3211	ELJNC15NKB	CHIP COIL	1	
L3212	EXC3BB221H	BEAD CHOKE	1	
L4001	J0JHC0000078	CHIP INDUCTOR	1	
L4003,04	J0JHC0000078	CHIP INDUCTOR	2	

Ref. No.	Part No.	Part Name & Description	Pcs	Remarks
L4006-08	J0JHC0000078	CHIP INDUCTOR	3	
L4104	J0JCC0000241	CHIP INDUCTOR	1	
L4105	J0JHC0000078	CHIP INDUCTOR	1	
L4106	J0JCC0000241	CHIP INDUCTOR	1	
L4151	J0JCC0000241	CHIP INDUCTOR	1	
L4231	J0JCC0000241	CHIP INDUCTOR	1	
L4501	J0JHC0000078	CHIP INDUCTOR	1	
L4503,04	J0JHC0000078	CHIP INDUCTOR	2	
L4505	J0JCC0000241	CHIP INDUCTOR	1	
L4506	J0JHC0000078	CHIP INDUCTOR	1	
L4508,09	J0JHC0000078	CHIP INDUCTOR	2	
L4510	J0JCC0000241	CHIP INDUCTOR	1	
L4511	J0JHC0000078	CHIP INDUCTOR	1	
L4701	J0JHC0000078	CHIP INDUCTOR	1	
L4751	J0JCC0000241	CHIP INDUCTOR	1	
L4801-03	J0JHC0000078	CHIP INDUCTOR	3	
L4861,62	J0JHC0000078	CHIP INDUCTOR	2	
L4900,01	J0JHC0000078	CHIP INDUCTOR	2	
L5604	G0A470GA0002	CHOKE COIL	1	
L5605	G1C1R0MA0072	CHOKE COIL	1	
L5606	TALL08N120KA	INDUCTION COIL	1	
L5607	G0C101K00023	PEAKING COIL	1	
L5608	G1C100MA0072	CHOKE COIL	1	
L5609	TALL08N120KA	INDUCTION COIL	1	
L5610	G1C470MA0077	INDUCTION COIL	1	
L5611	G1A470ZA0007	CHOKE COIL	1	
L5612	G0A220GA0002	CHOKE COIL	1	
L5613,14	G1A470ZA0007	CHOKE COIL	2	
L5615	G0A220GA0002	CHOKE COIL	1	
L5616	G1A470ZA0007	CHOKE COIL	1	
L5808	G0A100GA0013	CHOKE COIL	1	
L5810	G0A100GA0013	CHOKE COIL	1	
L6002-04	G0ZZ00002183	PEAKING COIL	3	
L6005	G0C101K00023	PEAKING COIL	1	
L6011-13	G0AR60MA0003	CHOKE COIL	3	
L6014	G0A1R0MA0003	CHOKE COIL	1	
L6015	G0A1R0MA0003	CHOKE COIL	1	42 INCH
L6016	G0A1R0MA0003	CHOKE COIL	1	37 INCH
L6017	J0JJC0000021	CHIP INDUCTOR	1	37 INCH
L6018	J0JJC0000021	CHIP INDUCTOR	1	
L6019	G0ZZ00002183	PEAKING COIL	1	
L6022	J0JJC0000021	CHIP INDUCTOR	1	
L6024-27	G0ZZ00002183	PEAKING COIL	4	
L6034-37	G0ZZ00002183	PEAKING COIL	4	
L6042,43	J0JJC0000021	CHIP INDUCTOR	2	
L6047	J0JJC0000021	CHIP INDUCTOR	1	
L6050	G0ZZ00002183	PEAKING COIL	1	
L6451	J0JJC0000021	CHIP INDUCTOR	1	
L6453	J0JJC0000021	CHIP INDUCTOR	1	
L6471	J0JJC0000021	CHIP INDUCTOR	1	
L6472	G0ZZ00002183	PEAKING COIL	1	
L6602	G0ZZ00002183	PEAKING COIL	1	
L6604	G0ZZ00002183	PEAKING COIL	1	
L6611-13	G0AR60MA0003	CHOKE COIL	3	
L6614	G0A1R0MA0003	CHOKE COIL	1	
L6615	G0A1R0MA0003	CHOKE COIL	1	42 INCH
L6616	G0A1R0MA0003	CHOKE COIL	1	37 INCH
L6618	J0JJC0000021	CHIP INDUCTOR	1	
L6624-27	G0ZZ00002183	PEAKING COIL	4	
L6634-37	G0ZZ00002183	PEAKING COIL	4	
L6647	J0JJC0000021	CHIP INDUCTOR	1	

Ref. No.	Part No.	Part Name & Description	Pcs	Remarks
L8004	J0JHC0000045	CHIP INDUCTOR	1	TH-37/42PE50B
L8008	J0JHC0000045	CHIP INDUCTOR	1	TH-37/42PE50B
L8026	J0JHC0000035	CHIP INDUCTOR	1	TH-37/42PE50B
L8029,30	ERJ3GEY0R00	M 0 OHM, 1/16W	2	TH-37/42PE50B
L8031-33	J0JHC0000045	CHIP INDUCTOR	3	TH-37/42PE50B
L8038	J0JHC0000045	CHIP INDUCTOR	1	TH-37/42PE50B
L8042	J0JHC0000045	CHIP INDUCTOR	1	TH-37/42PE50B
L8046	ELJPA1R0MB	INDUCTION COIL	1	TH-37/42PE50B
L8047,48	G1C220MA0167	COIL	2	TH-37/42PE50B PAVCCZ
L8049	J0JHC0000045	CHIP INDUCTOR	1	TH-37/42PE50B
L8051	J0JCC0000241	CHIP INDUCTOR	1	TH-37/42PE50B
L8055	G1C100MA0077	INDUCTION COIL	1	TH-37/42PE50B
L8059	J0JHC0000045	CHIP INDUCTOR	1	TH-37/42PE50B
L8106	ELJFA2R7JB	INDUCTION COIL	1	TH-37/42PE50B PAVCCZ
L8141,42	ERJ3GEY0R00	M 0 OHM, 1/16W	2	TH-37/42PE50B
L8145	J0JHC0000045	CHIP INDUCTOR	1	TH-37/42PE50B
L8501	ELJNA2R7JB	INDUCTION COIL	1	TH-37/42PE50B
L9200	G1C150KA0038	INDUCTION COIL	1	
L9500,01	J0JHC0000078	CHIP INDUCTOR	2	
L9700	G1C4R3M00003	CHIP INDUCTOR	1	
L9701	G1C6R8M00009	CHIP INDUCTOR	1	
PA7	K1KA08AA0192	8P CONNECTOR	1	
PA10	K1KA06A00452	6P CONNECTOR	1	
PA20	K1MN30A00068	30P CONNECTOR	1	
PA30	K1MN30A00068	30P CONNECTOR	1	
PA5601,02	K5H4022A0023	FUSE	2	
PB5	K1KA11AA0194	11P CONNECTOR	1	
PB7	K1KA08AA0192	8P CONNECTOR	1	
PC6458	B3PBA0000223	IC	1	
PC6467	B3PBA0000223	IC	1	
PC6469	B3PBA0000223	IC	1	
PC6474	B3PBA0000223	IC	1	
PC6480	B3PBA0000223	IC	1	
PC6503	B3PBA0000233	IC	1	
PC6505	B3PBA0000233	IC	1	
PC6507	B3PBA0000233	IC	1	
PC6509,10	B3PBA0000234	IC	2	
PC6517	B3PBA0000223	IC	1	
Q002,03	2SB709A	TRANSISTOR	2	
Q1150-54	2SD601A	TRANSISTOR	5	
Q1170	2SA207700L	TRANSISTOR	1	
Q1172	2SD601A	TRANSISTOR	1	
Q1174,75	2SD601A	TRANSISTOR	2	
Q1176	UN5211	TRANSISTOR	1	
Q1177	UN5111	TRANSISTOR	1	
Q1178-80	UN5211	TRANSISTOR	3	
Q1182	2SD601A	TRANSISTOR	1	
Q1184	2SD601A	TRANSISTOR	1	
Q1200	2SD601A	TRANSISTOR	1	
Q2001-04	2SD601A	TRANSISTOR	4	
Q2006,07	2SD601A	TRANSISTOR	2	
Q2009,10	2SD601A	TRANSISTOR	2	
Q2011	2SB709A	TRANSISTOR	1	
Q2012	2SD601A	TRANSISTOR	1	
Q2013	2SB709A	TRANSISTOR	1	
Q2102-05	2SB709A	TRANSISTOR	4	
Q2106	2SD601A	TRANSISTOR	1	

Ref. No.	Part No.	Part Name & Description	Pcs	Remarks
Q2107	2SD601A	TRANSISTOR	1	TH-37/42PA50E
Q2108	2SD601A	TRANSISTOR	1	
Q2109	2SD601A	TRANSISTOR	1	TH-37/42PA50E
Q2110,1	2SB709A	TRANSISTOR	2	TH-37/42PA50E
Q2300	2SC584500L	TRANSISTOR	1	
Q2301	2SD601A	TRANSISTOR	1	
Q2302	2SC584500L	TRANSISTOR	1	
Q2314-17	2SC584500L	TRANSISTOR	4	
Q2323	2SA207700L	TRANSISTOR	1	
Q2324	2SC584500L	TRANSISTOR	1	
Q2510,1	2SD601A	TRANSISTOR	2	
Q2518	2SD601A	TRANSISTOR	1	TH-37/42PE50B
Q2519	2SB709A	TRANSISTOR	1	
Q3001-06	2SD601A	TRANSISTOR	6	
Q3008	2SB709A	TRANSISTOR	1	
Q3009	2SD601A	TRANSISTOR	1	
Q3010,1	2SB709A	TRANSISTOR	2	
Q3014,1	2SB709A	TRANSISTOR	2	
Q3016	2SD601A	TRANSISTOR	1	
Q3017	2SB709A	TRANSISTOR	1	
Q3019-22	2SD601A	TRANSISTOR	4	
Q4006	2SD601A	TRANSISTOR	1	
Q4010-12	2SD601A	TRANSISTOR	3	
Q4013	2SA207700L	TRANSISTOR	1	
Q4015	2SB1218ARL	TRANSISTOR	1	
Q4016	2SA207700L	TRANSISTOR	1	
Q4068	2SD601A	TRANSISTOR	1	
Q4101	2SD601A	TRANSISTOR	1	
Q4103,0	2SD601A	TRANSISTOR	2	
Q4106,0	2SD601A	TRANSISTOR	2	
Q4109-12	2SD601A	TRANSISTOR	4	
Q4900	2SD601A	TRANSISTOR	1	
Q5601	B1DHDC000028	TRANSISTOR	1	
Q5602	2SC584500L	TRANSISTOR	1	
Q5603	B1DHDC000028	TRANSISTOR	1	
Q5604,0	2SC584500L	TRANSISTOR	2	
Q5606	B1DHDC000028	TRANSISTOR	1	
Q5607	2SC584500L	TRANSISTOR	1	
Q5613	2SC584500L	TRANSISTOR	1	
Q5614	2SK3065T100	FET	1	
Q5641-43	2SA207700L	TRANSISTOR	3	
Q5644	2SC584500L	TRANSISTOR	1	
Q6001-03	B1JADN000001	TRANSISTOR	3	
Q6006-08	B1JADN000001	TRANSISTOR	3	
Q6011	2SD2185	TRANSISTOR	1	
Q6012	2SB1073001TV	TRANSISTOR	1	
Q6013	2SD2185	TRANSISTOR	1	
Q6014	2SB1073001TV	TRANSISTOR	1	
Q6021	B1DEKM000001	TRANSISTOR	1	42 INCH
Q6021	2SK3996000VP	TRANSISTOR	1	37 INCH
Q6024	B1DEKM000001	TRANSISTOR	1	42 INCH
Q6024	2SK3996000VP	TRANSISTOR	1	37 INCH
Q6025	2SK620	FET	1	
Q6041,4	B1DFKM000002	TRANSISTOR	2	
Q6045	2SK326800L	FET	1	
Q6046	B1DFKM000002	TRANSISTOR	1	
Q6051	2SD1263A	TRANSISTOR	1	
Q6052	2SC1473A	TRANSISTOR	1	
Q6055	2SD601A	TRANSISTOR	1	42 INCH
Q6056	2SD601A	TRANSISTOR	1	

Ref. No.	Part No.	Part Name & Description	Pcs	Remarks
Q6451	2SD1263A	TRANSISTOR	1	
Q6454	2SC1473A	TRANSISTOR	1	
Q6461	B1BBCJ000004	TRANSISTOR	1	
Q6462	2SB0709A	TRANSISTOR	1	
Q6463	2SD601A	TRANSISTOR	1	
Q6471	B1BBCJ000004	TRANSISTOR	1	
Q6472	2SB0709A	TRANSISTOR	1	
Q6474	2SD814A	TRANSISTOR	1	
Q6476,7	2SD601A	TRANSISTOR	2	
Q6491	2SD1263A	TRANSISTOR	1	
Q6492	2SC1473A	TRANSISTOR	1	
Q6501-05	2SK620	FET	5	
Q6511,1	B1DFGL000008	TRANSISTOR	2	
Q6520	2SD601A	TRANSISTOR	1	
Q6521	B1DFES000001	TRANSISTOR	1	
Q6522-28	2SK400000L	FET	7	
Q6530	2SB1073001TV	TRANSISTOR	1	
Q6541	2SB1073001TV	TRANSISTOR	1	
Q6542	2SK399500L	FET	1	
Q6544-46	2SK399500L	FET	3	
Q6548	2SK399500L	FET	1	
Q6551	2SD601A	TRANSISTOR	1	
Q6552	B1DEET000002	TRANSISTOR	1	
Q6553	2SB1073001TV	TRANSISTOR	1	
Q6554	2SD2185	TRANSISTOR	1	
Q6555	B1DFES000001	TRANSISTOR	1	
Q6581	2SD601A	TRANSISTOR	1	
Q6583,8	2SK620	FET	2	
Q6601-03	B1JADN000001	TRANSISTOR	3	
Q6606-08	B1JADN000001	TRANSISTOR	3	
Q6611	2SD2185	TRANSISTOR	1	
Q6612	2SB1073001TV	TRANSISTOR	1	
Q6613	2SD2185	TRANSISTOR	1	
Q6614	2SB1073001TV	TRANSISTOR	1	
Q6621	B1DEKM000001	TRANSISTOR	1	42 INCH
Q6621	2SK3996000VP	TRANSISTOR	1	37 INCH
Q6624	B1DEKM000001	TRANSISTOR	1	42 INCH
Q6624	2SK3996000VP	TRANSISTOR	1	37 INCH
Q6901	2SK620	FET	1	
Q8101	2SA207700L	TRANSISTOR	1	TH-37/42PE50B
Q9000,0	2SD601A	TRANSISTOR	2	
Q9003	B1DHCC0000034	TRANSISTOR	1	
Q9004	2SB709A	TRANSISTOR	1	
Q9008,0	2SK2731T146	TRANSISTOR	2	
Q9010,1	2SD601A	TRANSISTOR	2	
Q9012,1	2SK2731T146	TRANSISTOR	2	
Q9020-23	2SD601A	TRANSISTOR	4	
Q9500	2SK2731T146	TRANSISTOR	1	
Q9700	2SD601A	TRANSISTOR	1	
Q9701,0	B1MBCDA000002	TRANSISTOR	2	
Q9703,0	2SD601A	TRANSISTOR	2	
Q9900,0	2SD601A	TRANSISTOR	2	
R002	ERJ3GEYJ221	M 220 OHM, J, 1/16W	1	
R003	ERJ3GEY0R00	M 0 OHM, 1/16W	1	
R005	ERJ6GEYJ561	M 560 OHM, J, 1/10W	1	
R006	ERJ3GEYJ472	M 4.7KOHM, J, 1/16W	1	
R007	ERJ6GEY0R00	M 0 OHM, 1/10W	1	
R008,09	ERJ3GEY0R00	M 0 OHM, 1/16W	2	

Ref. No.	Part No.	Part Name & Description	Pcs	Remarks
R1110,11	ERJ3GEY0R00	M 0 OHM, 1/16W	2	
R1115	ERJ3GEYJ103	M 10KOHM, J, 1/16W	1	
R1123	ERJ3GEYJ560	M 56 OHM, J, 1/16W	1	
R1125	ERJ3GEYJ560	M 56 OHM, J, 1/16W	1	
R1127	ERJ3GEYJ560	M 56 OHM, J, 1/16W	1	
R1134	ERJ3GEYJ560	M 56 OHM, J, 1/16W	1	
R1146	ERJ3GEY0R00	M 0 OHM, 1/16W	1	
R1149	ERJ3GEYJ220	M 22 OHM, J, 1/16W	1	
R1150	TAJAAH0101JV	M 100 OHM, J, 1/16W	1	
R1151	ERJ3GEYJ225	M 2.2MOHM, J, 1/16W	1	
R1152	ERJ3GEYJ472	M 4.7KOHM, J, 1/16W	1	
R1153	ERJ3GEYJ473	M 47KOHM, J, 1/16W	1	
R1155	TAJAAH0101JV	M 100 OHM, J, 1/16W	1	
R1157	ERJ3GEYJ223	M 22KOHM, J, 1/16W	1	
R1158,59	ERJ3GEYJ104	M 100KOHM, J, 1/16W	2	
R1160	ERJ3GEYJ224	M 220KOHM, J, 1/16W	1	
R1161	ERJ3GEYJ221	M 220 OHM, J, 1/16W	1	
R1162	ERJ3GEY0R00	M 0 OHM, 1/16W	1	
R1164	ERJ3GEYJ273	M 27KOHM, J, 1/16W	1	
R1165	ERJ3GEYJ821	M 820 OHM, J, 1/16W	1	
R1166	ERJ3GEYJ222	M 2.2KOHM, J, 1/16W	1	
R1168	ERJ3GEY0R00	M 0 OHM, 1/16W	1	
R1170	TAJAAH0101JV	M 100 OHM, J, 1/16W	1	
R1171	ERJ6GEYJ222	M 2.2KOHM, J, 1/10W	1	
R1172	ERJ6GEY0R00	M 0 OHM, 1/10W	1	
R1173	ERJ3GEY0R00	M 0 OHM, 1/16W	1	
R1175	ERJ3GEYJ392	M 3.9KOHM, J, 1/16W	1	
R1177	ERJ3GEYJ473	M 47KOHM, J, 1/16W	1	
R1178	ERJ3GEYJ223	M 22KOHM, J, 1/16W	1	
R1180	ERJ3GEY0R00	M 0 OHM, 1/16W	1	
R1185	TAJAAH0101JV	M 100 OHM, J, 1/16W	1	
R1186	ERJ3GEYJ331	M 330 OHM, J, 1/16W	1	
R1187	ERJ3GEY0R00	M 0 OHM, 1/16W	1	
R1188	ERJ3GEYJ471	M 470 OHM, J, 1/16W	1	
R1189	ERJ3GEYJ103	M 10KOHM, J, 1/16W	1	
R1190-97	ERJ3GEY0R00	M 0 OHM, 1/16W	8	
R1199	ERJ3GEY0R00	M 0 OHM, 1/16W	1	
R1200	TAJAAH0101JV	M 100 OHM, J, 1/16W	1	
R1201	ERJ3GEY0R00	M 0 OHM, 1/16W	1	
R1202-04	ERJ3GEYJ220	M 22 OHM, J, 1/16W	3	
R1206	ERJ3GEY0R00	M 0 OHM, 1/16W	1	
R1208,09	ERJ3GEY0R00	M 0 OHM, 1/16W	2	
R1212	ERJ3GEY0R00	M 0 OHM, 1/16W	1	
R1213	ERJ3GEYJ473	M 47KOHM, J, 1/16W	1	
R1214	ERJ3GEYJ102	M 1KOHM, J, 1/16W	1	
R1215	ERJ3GEYJ472	M 4.7KOHM, J, 1/16W	1	
R1216	ERJ3GEYJ103	M 10KOHM, J, 1/16W	1	
R1219	ERJ3GEY0R00	M 0 OHM, 1/16W	1	
R1221	ERJ3GEY0R00	M 0 OHM, 1/16W	1	
R1222	ERJ3GEYJ103	M 10KOHM, J, 1/16W	1	
R1224	ERJ3GEYJ683	M 68KOHM, J, 1/16W	1	
R1227	ERJ3GEYJ103	M 10KOHM, J, 1/16W	1	
R1228	ERJ3GEYJ562	M 5.6KOHM, J, 1/16W	1	
R1229	ERJ3GEY0R00	M 0 OHM, 1/16W	1	
R1231	ERJ3GEYJ104	M 100KOHM, J, 1/16W	1	
R1232	ERJ3GEYJ683	M 68KOHM, J, 1/16W	1	
R1233	ERJ3GEYJ333	M 33KOHM, J, 1/16W	1	
R1234	ERJ3GEYJ102	M 1KOHM, J, 1/16W	1	
R1235	ERJ3GEYJ563	M 56KOHM, J, 1/16W	1	
R1237	ERJ3GEYJ102	M 1KOHM, J, 1/16W	1	
R1238	ERJ3GEY0R00	M 0 OHM, 1/16W	1	
R1239	ERJ3GEYJ102	M 1KOHM, J, 1/16W	1	TH-37/42PE50B
R1240	EXB2HV680J	RESISTOR ARRAY	1	
R1241	ERJ3GEYJ182	M 1.8KOHM, J, 1/16W	1	
R1242,43	ERJ3GEYJ103	M 10KOHM, J, 1/16W	2	
R1244	EXB38V680J	RESISTOR ARRAY	1	
R1246	ERJ3GEYJ102	M 1KOHM, J, 1/16W	1	
R1248	ERJ3GEYJ104	M 100KOHM, J, 1/16W	1	

Ref. No.	Part No.	Part Name & Description	Pcs	Remarks
R1249	ERJ3GEYJ223	M 22KOHM, J, 1/16W	1	
R1250	ERJ3GEYJ472	M 4.7KOHM, J, 1/16W	1	
R1251	ERJ3GEYJ103	M 10KOHM, J, 1/16W	1	
R1253	ERJ3GEY0R00	M 0 OHM, 1/16W	1	
R1255	ERJ3GEYJ223	M 22KOHM, J, 1/16W	1	
R1258	ERJ3GEYJ472	M 4.7KOHM, J, 1/16W	1	
R1259	ERJ3GEY0R00	M 0 OHM, 1/16W	1	
R1260	TAJAAH0101JV	M 100 OHM, J, 1/16W	1	
R1261	ERJ3GEY0R00	M 0 OHM, 1/16W	1	
R1263	ERJ3GEYJ103	M 10KOHM, J, 1/16W	1	
R1266	EXB2HV680J	RESISTOR ARRAY	1	
R1267	ERJ3EKF2702V	M27.0KOHM, 1/16W	1	
R1268	TAJAAH0101JV	M 100 OHM, J, 1/16W	1	
R1269	EXB2HV680J	RESISTOR ARRAY	1	
R1270	ERJ3GEYJ820	M 82 OHM, J, 1/16W	1	
R1271	ERJ3GEY0R00	M 0 OHM, 1/16W	1	
R1272,73	DIHG5608A002	NETWORK RESISTER	2	
R1274	ERJ3GEY0R00	M 0 OHM, 1/16W	1	
R1275	TAJAAH0101JV	M 100 OHM, J, 1/16W	1	
R1277	TAJAAH0101JV	M 100 OHM, J, 1/16W	1	
R1280,81	ERJ3GEY0R00	M 0 OHM, 1/16W	2	
R1283	TAJAAH0680JV	M 68 OHM, J, 1/16W	1	
R1284	TAJAAH0101JV	M 100 OHM, J, 1/16W	1	
R1285,86	TAJAAH0680JV	M 68 OHM, J, 1/16W	2	
R1287	TAJAAH0101JV	M 100 OHM, J, 1/16W	1	
R1288	TAJAAH0680JV	M 68 OHM, J, 1/16W	1	
R1289	ERJ3GEYJ103	M 10KOHM, J, 1/16W	1	
R1290	ERJ3GEYJ103	M 10KOHM, J, 1/16W	1	TH-37/42PA50E
R1291-94	TAJAAH0101JV	M 100 OHM, J, 1/16W	4	
R1295	ERJ3GEYJ103	M 10KOHM, J, 1/16W	1	
R1297	ERJ3GEYJ562	M 5.6KOHM, J, 1/16W	1	
R1298,99	TAJAAH0101JV	M 100 OHM, J, 1/16W	2	TH-37/42PE50B
R1300	ERJ3GEYJ560	M 56 OHM, J, 1/16W	1	TH-37/42PE50B
R1301	TAJAAH0101JV	M 100 OHM, J, 1/16W	1	
R1302	ERJ3GEYJ562	M 5.6KOHM, J, 1/16W	1	
R1303	TAJAAH0101JV	M 100 OHM, J, 1/16W	1	
R1305	ERJ3GEYJ103	M 10KOHM, J, 1/16W	1	
R1306	ERJ3GEYJ472	M 4.7KOHM, J, 1/16W	1	
R1307	ERJ3GEYJ102	M 1KOHM, J, 1/16W	1	
R1308,09	TAJAAH0680JV	M 68 OHM, J, 1/16W	2	
R1311	ERJ3GEYJ201	M 200 OHM, J, 1/16W	1	
R1313	TAJAAH0101JV	M 100 OHM, J, 1/16W	1	
R1316,17	ERJ3GEYJ103	M 10KOHM, J, 1/16W	2	
R1320	ERJ3GEYJ103	M 10KOHM, J, 1/16W	1	
R1321	TAJAAH0101JV	M 100 OHM, J, 1/16W	1	
R1322	ERJ3GEY0R00	M 0 OHM, 1/16W	1	
R1323,24	ERJ3GEYJ332	M 3.3KOHM, J, 1/16W	2	
R1326,27	ERJ3GEY0R00	M 0 OHM, 1/16W	2	
R1329	ERJ3GEY0R00	M 0 OHM, 1/16W	1	
R1330,31	TAJAAH0101JV	M 100 OHM, J, 1/16W	2	
R1332,33	ERJ3GEY0R00	M 0 OHM, 1/16W	2	
R1334	ERJ3GEYJ473	M 47KOHM, J, 1/16W	1	
R1336,37	ERJ3GEY0R00	M 0 OHM, 1/16W	2	
R1338	ERJ3GEYJ102	M 1KOHM, J, 1/16W	1	
R1339-41	ERJ3GEY0R00	M 0 OHM, 1/16W	3	
R1342	ERJ3GEYJ562	M 5.6KOHM, J, 1/16W	1	
R1343,44	ERJ3GEYJ332	M 3.3KOHM, J, 1/16W	2	
R1345,46	ERJ3GEYJ103	M 10KOHM, J, 1/16W	2	
R1347,48	ERJ3GEYJ562	M 5.6KOHM, J, 1/16W	2	
R1351	ERJ3GEYJ102	M 1KOHM, J, 1/16W	1	

Ref. No.	Part No.	Part Name & Description	Pcs	Remarks
R1355	ERJ3GEYJ562	M 5.6KOHM,J,1/16W	1	
R1359,60	ERJ3GEYJ562	M 5.6KOHM,J,1/16W	2	
R1361	ERJ3GEYJ103	M 10KOHM,J,1/16W	1	
R1365,66	EXB2HV680J	RESISTOR ARRAY	2	
R1372-74	ERJ3GEYJ103	M 10KOHM,J,1/16W	3	
R1380,81	ERJ3GEYJ220	M 22 OHM,J,1/16W	2	
R1384	ERJ3GEY0R00	M 0 OHM, 1/16W	1	
R1389	ERJ3GEYJ153	M 15KOHM,J,1/16W	1	
R1390	ERJ3GEYJ102	M 1KOHM,J,1/16W	1	
R2005	ERJ3GEYJ104	M 100KOHM,J,1/16W	1	
R2006-11	ERJ6GEYJ223	M 22KOHM,J,1/10W	6	
R2012	ERJ3GEYJ104	M 100KOHM,J,1/16W	1	
R2013,14	TAJAAH0101JV	M 100 OHM,J,1/16W	2	
R2015,16	ERJ3GEYJ331	M 330 OHM,J,1/16W	2	
R2018,19	ERJ3GEYJ104	M 100KOHM,J,1/16W	2	
R2021,22	ERJ3GEY0R00	M 0 OHM, 1/16W	2	
R2023,24	TAJAAH0101JV	M 100 OHM,J,1/16W	2	
R2025	ERJ3GEYJ222	M 2.2KOHM,J,1/16W	1	
R2027,28	ERJ3GEYJ104	M 100KOHM,J,1/16W	2	
R2030	ERJ3GEY0R00	M 0 OHM, 1/16W	1	
R2031	TAJAAH0101JV	M 100 OHM,J,1/16W	1	
R2032	ERJ3GEY0R00	M 0 OHM, 1/16W	1	
R2033	TAJAAH0101JV	M 100 OHM,J,1/16W	1	
R2034	ERJ3GEYJ222	M 2.2KOHM,J,1/16W	1	
R2035,36	ERJ3GEYJ104	M 100KOHM,J,1/16W	2	
R2037	ERJ3GEY0R00	M 0 OHM, 1/16W	1	
R2038	TAJAAH0101JV	M 100 OHM,J,1/16W	1	
R2039	ERJ3GEY0R00	M 0 OHM, 1/16W	1	
R2040	TAJAAH0101JV	M 100 OHM,J,1/16W	1	
R2041	ERJ3GEYJ222	M 2.2KOHM,J,1/16W	1	
R2042	ERJ3GEYJ105	M 1MOHM,J,1/16W	1	
R2043	ERJ3GEYJ473	M 47KOHM,J,1/16W	1	
R2044	ERJ3GEYJ102	M 1KOHM,J,1/16W	1	
R2045,46	ERJ3GEYJ103	M 10KOHM,J,1/16W	2	
R2047	ERJ3GEYJ222	M 2.2KOHM,J,1/16W	1	
R2048	ERJ6GEYJ471	M 470 OHM,J,1/10W	1	
R2049,50	ERJ3GEYJ103	M 10KOHM,J,1/16W	2	
R2051,52	ERJ6GEYJ184	M 180KOHM,J,1/10W	2	
R2053	ERJ6GEYJ471	M 470 OHM,J,1/10W	1	
R2054	ERJ3GEYJ103	M 10KOHM,J,1/16W	1	
R2100	ERJ3GEYJ221	M 220 OHM,J,1/16W	1	TH-37/42PA50E
R2101,02	ERJ3GEYJ331	M 330 OHM,J,1/16W	2	
R2103-06	ERJ3GEYJ221	M 220 OHM,J,1/16W	4	TH-37/42PE50B
R2107	ERJ3GEYJ221	M 220 OHM,J,1/16W	1	TH-37/42PA50E
R2108,09	ERJ3GEYJ472	M 4.7KOHM,J,1/16W	2	TH-37/42PA50E
R2113	ERJ3GEY0R00	M 0 OHM, 1/16W	1	
R2120-23	ERJ3GEY0R00	M 0 OHM, 1/16W	4	TH-37/42PE50B
R2124,25	TAJAAH0101JV	M 100 OHM,J,1/16W	2	
R2126,27	ERJ3GEYJ472	M 4.7KOHM,J,1/16W	2	
R2128,29	TAJAAH0101JV	M 100 OHM,J,1/16W	2	
R2130,31	ERJ3GEYJ103	M 10KOHM,J,1/16W	2	
R2132	ERJ3GEYJ333	M 33KOHM,J,1/16W	1	
R2133	ERJ3GEY0R00	M 0 OHM, 1/16W	1	
R2135,36	ERJ3GEYJ331	M 330 OHM,J,1/16W	2	

Ref. No.	Part No.	Part Name & Description	Pcs	Remarks
R2137	ERJ3GEYJ333	M 33KOHM,J,1/16W	1	
R2138	ERJ3GEYJ473	M 47KOHM,J,1/16W	1	
R2147	ERJ3GEYJ473	M 47KOHM,J,1/16W	1	
R2148,49	ERJ3GEYJ273	M 27KOHM,J,1/16W	2	
R2151	ERJ3GEY0R00	M 0 OHM, 1/16W	1	
R2152	TAJAAH0470JV	M 47 OHM,J,1/16W	1	
R2153	ERJ3GEYJ221	M 220 OHM,J,1/16W	1	
R2154	TAJAAH0470JV	M 47 OHM,J,1/16W	1	
R2155,56	ERJ3GEYJ221	M 220 OHM,J,1/16W	2	
R2158	ERJ3GEYJ221	M 220 OHM,J,1/16W	1	
R2161	ERJ3GEYJ331	M 330 OHM,J,1/16W	1	
R2163	ERJ3GEYJ331	M 330 OHM,J,1/16W	1	
R2164	ERJ3GEYJ221	M 220 OHM,J,1/16W	1	
R2165,66	TAJAAH0101JV	M 100 OHM,J,1/16W	2	
R2167	ERJ3GEYJ221	M 220 OHM,J,1/16W	1	
R2168,69	ERJ3GEYJ472	M 4.7KOHM,J,1/16W	2	
R2170-73	ERJ3GEYJ221	M 220 OHM,J,1/16W	4	
R2174-75	ERJ3GEYJ221	M 220 OHM,J,1/16W	2	TH-37/42PE50B
R2180	ERJ8GEY0R00	M 0 OHM, 1/8W	1	
R2182,83	TAJAAH0101JV	M 100 OHM,J,1/16W	2	
R2184-87	ERJ3GEYJ221	M 220 OHM,J,1/16W	4	
R2190	ERJ3GEYJ221	M 220 OHM,J,1/16W	1	TH-37/42PA50E
R2192,93	ERJ3GEYJ221	M 220 OHM,J,1/16W	2	
R2195,96	ERJ3GEY0R00	M 0 OHM, 1/16W	2	
R2197	ERJ3GEYJ471	M 470 OHM,J,1/16W	1	
R2198	ERJ6ENF1781	M1.78KOHM, 1/10W	1	
R2199,00	ERJ3GEYJ221	M 220 OHM,J,1/16W	2	TH-37/42PA50E
R2201	ERJ6ENF1601	M 1.6KOHM, 1/10W	1	
R2202	TAJAAH0101JV	M 100 OHM,J,1/16W	1	
R2204	ERJ6GEYJ561	M 560 OHM,J,1/10W	1	
R2205	ERJ3GEYJ102	M 1KOHM,J,1/16W	1	TH-37/42PA50E
R2208	ERJ6GEYJ471	M 470 OHM,J,1/10W	1	
R2209	ERJ3GEYJ332	M 3.3KOHM,J,1/16W	1	
R2210	ERJ6GEYJ681	M 680 OHM,J,1/10W	1	TH-37/42PA50E
R2210	ERJ6GEYJ122	M 1.2KOHM,J,1/10W	1	TH-37/42PE50B
R2211	ERJ3GEYJ561	M 560 OHM,J,1/16W	1	TH-37/42PA50E
R2211	ERJ3GEY0R00	M 0 OHM, 1/16W	1	TH-37/42PE50B
R2213	ERJ3GEYJ103	M 10KOHM,J,1/16W	1	
R2214	ERJ3GEYJ332	M 3.3KOHM,J,1/16W	1	
R2215	ERJ3GEYJ331	M 330 OHM,J,1/16W	1	TH-37/42PA50E
R2215	ERJ3GEY0R00	M 0 OHM, 1/16W	1	TH-37/42PE50B
R2216	ERJ3GEYJ102	M 1KOHM,J,1/16W	1	TH-37/42PA50E
R2217	ERJ3GEYJ472	M 4.7KOHM,J,1/16W	1	TH-37/42PA50E
R2224,25	ERJ3GEY0R00	M 0 OHM, 1/16W	2	
R2302	ERJ3GEYJ223	M 22KOHM,J,1/16W	1	
R2303	ERJ3GEYJ562	M 5.6KOHM,J,1/16W	1	
R2304	ERJ3GEYJ104	M 100KOHM,J,1/16W	1	
R2305	ERJ3GEYJ471	M 470 OHM,J,1/16W	1	
R2306	ERJ6GEYJ821	M 820 OHM,J,1/10W	1	
R2307	ERJ3GEYJ104	M 100KOHM,J,1/16W	1	
R2308,09	ERJ3GEYJ392	M 3.9KOHM,J,1/16W	2	
R2310	ERJ3GEYJ184	M 180KOHM,J,1/16W	1	
R2311	ERJ12YJ821	M 820 OHM,J, 1/2W	1	
R2312,13	ERJ3GEYJ103	M 10KOHM,J,1/16W	2	
R2314,15	ERJ3GEYJ220	M 22 OHM,J,1/16W	2	
R2320	ERJ3GEYJ222	M 2.2KOHM,J,1/16W	1	
R2321	ERJ3GEYJ393	M 39KOHM,J,1/16W	1	
R2322	ERJ3GEYJ103	M 10KOHM,J,1/16W	1	
R2323	ERJ3GEYJ472	M 4.7KOHM,J,1/16W	1	
R2324	ERJ3GEYJ103	M 10KOHM,J,1/16W	1	
R2325	ERJ3GEYJ913	M 91KOHM,J,1/16W	1	

Ref. No.	Part No.	Part Name & Description	Pcs	Remarks
R2326	TAJAAH0101JV	M 100 OHM, J, 1/16W	1	
R2328	ERJ3GEYJ104	M 100KOHM, J, 1/16W	1	
R2329	ERJ3GEYJ393	M 39KOHM, J, 1/16W	1	
R2330	ERJ3GEYJ563	M 56KOHM, J, 1/16W	1	
R2331	ERJ6GEYJ471	M 470 OHM, J, 1/10W	1	
R2332	ERJ3GEYJ913	M 91KOHM, J, 1/16W	1	
R2335	ERJ3GEYJ104	M 100KOHM, J, 1/16W	1	
R2336	ERJ3GEYJ393	M 39KOHM, J, 1/16W	1	
R2337	ERJ3GEYJ563	M 56KOHM, J, 1/16W	1	
R2338	ERJ3GEYOR00	M 0 OHM, 1/16W	1	
R2339	ERJ3GEYJ913	M 91KOHM, J, 1/16W	1	
R2342, 4 3	ERJ6GEYOR00	M 0 OHM, 1/10W	2	
R2344	ERJ3GEYJ913	M 91KOHM, J, 1/16W	1	
R2345, 4 6	ERJ3GEYJ563	M 56KOHM, J, 1/16W	2	
R2377, 7 8	ERJ3GEYOR00	M 0 OHM, 1/16W	2	
R2381, 8 2	ERJ3GEYOR00	M 0 OHM, 1/16W	2	
R2388, 8 9	ERJ6GEYJ102	M 1KOHM, J, 1/10W	2	
R2390	ERJ3GEYJ203	M 20KOHM, J, 1/16W	1	
R2391	ERJ3GEYJ103	M 10KOHM, J, 1/16W	1	
R2392	ERJ3GEYJ223	M 22KOHM, J, 1/16W	1	
R2393	ERJ3GEYJ103	M 10KOHM, J, 1/16W	1	
R2394	ERJ3GEYJ203	M 20KOHM, J, 1/16W	1	
R2395, 9 6	ERJ3GEYJ103	M 10KOHM, J, 1/16W	2	
R2397, 9 8	ERJ3GEYJ473	M 47KOHM, J, 1/16W	2	
R2412	ERJ6GEYOR00	M 0 OHM, 1/10W	1	
R2414	ERJ6GEYOR00	M 0 OHM, 1/10W	1	
R2444, 4 5	ERJ6GEYJ102	M 1KOHM, J, 1/10W	2	
R2448, 4 9	ERJ6GEYJ510	M 51 OHM, J, 1/10W	2	
R2450	ERJ6GEYJ101	M 100 OHM, J, 1/10W	1	
R2451, 5 2	ERJ6GEYJ510	M 51 OHM, J, 1/10W	2	
R2453	ERJ6GEYJ101	M 100 OHM, J, 1/10W	1	
R2460	ERJ6ENF1373	M 137KOHM, 1/10W	1	
R2461	ERJ6ENF1103	M 110KOHM, 1/10W	1	
R2464, 6 5	ERJ6GEYJ120	M 12 OHM, J, 1/10W	2	
R2468, 6 9	ERJ6GEYJ122	M 1.2KOHM, J, 1/10W	2	
R2488, 8 9	ERJ6GEYJ120	M 12 OHM, J, 1/10W	2	
R2499	ERJ3GEYJ472	M 4.7KOHM, J, 1/16W	1	
R2516	ERJ6GEYJ223	M 22KOHM, J, 1/10W	1	
R2517	ERJ6GEYJ470	M 47 OHM, J, 1/10W	1	
R2520	ERJ6GEYJ224	M 220KOHM, J, 1/10W	1	
R2521	ERJ6GEYJ473	M 47KOHM, J, 1/10W	1	TH-37/42PE50B
R2524	ERJ6GEYJ223	M 22KOHM, J, 1/10W	1	
R2525	ERJ6ENF1002	M 10KOHM, 1/10W	1	
R2526	ERJ6GEYJ562	M 5.6KOHM, J, 1/10W	1	
R2538	ERJ6ENF4301	M 4.3KOHM, 1/10W	1	TH-37/42PE50B
R2540	ERJ6GEYJ223	M 22KOHM, J, 1/10W	1	TH-37/42PE50B
R2542	ERJ6GEYJ101	M 100 OHM, J, 1/10W	1	
R2545	ERJ6GEYJ101	M 100 OHM, J, 1/10W	1	
R2550	ERJ6GEYOR00	M 0 OHM, 1/10W	1	
R2552	ERJ6GEYOR00	M 0 OHM, 1/10W	1	TH-37/42PE50B
R2553	ERJ6GEYJ223	M 22KOHM, J, 1/10W	1	
R2557	ERJ6ENF1501	M 1.5KOHM, 1/10W	1	
R3001-15	ERJ6ENF75R0	M 75 OHM, 1/10W	15	
R3016, 1 7	ERJ6GEYJ101	M 100 OHM, J, 1/10W	2	
R3018, 1 9	ERJ6GEYJ680	M 68 OHM, J, 1/10W	2	
R3020-22	ERJ6ENF2202	M 2.2KOHM, 1/10W	3	
R3023, 2 4	ERJ6ENF1202	M 12KOHM, 1/10W	2	
R3025	ERJ3GEYJ103	M 10KOHM, J, 1/16W	1	

Ref. No.	Part No.	Part Name & Description	Pcs	Remarks
R3026	ERJ3GEYJ473	M 47KOHM, J, 1/16W	1	
R3027, 2 8	ERJ6ENF75R0	M 75 OHM, 1/10W	2	
R3030	ERJ8GEYOR00	M 0 OHM, 1/8W	1	
R3031	ERJ6ENF75R0	M 75 OHM, 1/10W	1	
R3032, 3 3	ERJ8GEYOR00	M 0 OHM, 1/8W	2	
R3034	ERJ3GEYJ102	M 1KOHM, J, 1/16W	1	
R3036, 3 7	ERJ3GEYJ102	M 1KOHM, J, 1/16W	2	
R3038-40	ERJ3GEYJ221	M 220 OHM, J, 1/16W	3	
R3041, 4 2	ERJ3GEYJ182	M 1.8KOHM, J, 1/16W	2	
R3043	ERJ3GEYJ331	M 330 OHM, J, 1/16W	1	
R3044, 4 5	ERJ3GEYOR00	M 0 OHM, 1/16W	2	
R3047	ERJ3GEYOR00	M 0 OHM, 1/16W	1	
R3048	ERJ3GEYJ152	M 1.5KOHM, J, 1/16W	1	
R3049-51	ERJ3GEYJ103	M 10KOHM, J, 1/16W	3	
R3052	ERJ3GEYOR00	M 0 OHM, 1/16W	1	
R3053	ERJ3GEYJ221	M 220 OHM, J, 1/16W	1	
R3054, 5 5	ERJ3EKF5600	M 560 OHM, 1/16W	2	
R3056	ERJ3GEYJ103	M 10KOHM, J, 1/16W	1	
R3059-61	ERJ3GEYJ221	M 220 OHM, J, 1/16W	3	
R3064	ERJ3GEYJ221	M 220 OHM, J, 1/16W	1	
R3065	ERJ3GEYJ682	M 6.8KOHM, J, 1/16W	1	
R3066	ERJ3GEYOR00	M 0 OHM, 1/16W	1	
R3067	ERJ3GEYJ103	M 10KOHM, J, 1/16W	1	
R3069	ERJ3GEYJ103	M 10KOHM, J, 1/16W	1	
R3071	ERJ3GEYJ103	M 10KOHM, J, 1/16W	1	
R3074, 7 5	ERJ3GEYJ221	M 220 OHM, J, 1/16W	2	
R3077	ERJ3GEYJ221	M 220 OHM, J, 1/16W	1	
R3086	ERJ3GEYOR00	M 0 OHM, 1/16W	1	
R3087	ERJ3GEYJ221	M 220 OHM, J, 1/16W	1	
R3088	ERJ3GEYJ221	M 220 OHM, J, 1/16W	1	TH-37/42PE50B
R3089, 9 0	TAJAAH0470JV	M 47 OHM, J, 1/16W	2	
R3092	ERJ3GEYJ221	M 220 OHM, J, 1/16W	1	
R3094-01	ERJ3GEYJ221	M 220 OHM, J, 1/16W	8	
R3115	TAJAAH0101JV	M 100 OHM, J, 1/16W	1	
R3118	TAJAAH0101JV	M 100 OHM, J, 1/16W	1	
R3121	ERJ3EKF1000	M 100 OHM, 1/16W	1	
R3122	TAJAAH0101JV	M 100 OHM, J, 1/16W	1	
R3123	ERJ3EKF82R0	M 82 OHM, 1/16W	1	
R3125	ERJ6GEYJ102	M 1KOHM, J, 1/10W	1	
R3126	TAJAAH0101JV	M 100 OHM, J, 1/16W	1	
R3127	ERJ6GEYJ102	M 1KOHM, J, 1/10W	1	
R3130, 3 1	TAJAAH0101JV	M 100 OHM, J, 1/16W	2	
R3132, 3 3	ERJ3GEYJ103	M 10KOHM, J, 1/16W	2	
R3134	ERJ3GEYJ333	M 33KOHM, J, 1/16W	1	
R3136	ERJ3GEYJ333	M 33KOHM, J, 1/16W	1	
R3138	ERJ3EKF82R0	M 82 OHM, 1/16W	1	
R3139	ERJ6GEYJ102	M 1KOHM, J, 1/10W	1	
R3140	ERJ3EKF1000	M 100 OHM, 1/16W	1	
R3141	ERJ6GEYJ102	M 1KOHM, J, 1/10W	1	
R3143	ERJ3GEYJ222	M 2.2KOHM, J, 1/16W	1	
R3144	ERJ3GEYJ332	M 3.3KOHM, J, 1/16W	1	
R3145	ERJ3GEYJ103	M 10KOHM, J, 1/16W	1	
R3146	ERJ3GEYJ331	M 330 OHM, J, 1/16W	1	
R3152, 5 3	TAJAAH0470JV	M 47 OHM, J, 1/16W	2	
R3158	TAJAAH0101JV	M 100 OHM, J, 1/16W	1	
R3159	ERJ3GEYJ223	M 22KOHM, J, 1/16W	1	
R3161	ERJ3GEYOR00	M 0 OHM, 1/16W	1	
R3163	ERJ6ENF1202	M 12KOHM, 1/10W	1	
R3164	ERJ3GEYJ105	M 1MOHM, J, 1/16W	1	
R3206	TAJAAH0101JV	M 100 OHM, J, 1/16W	1	

Ref. No.	Part No.	Part Name & Description	Pcs	Remarks
R3213-22	ERJ3GEY0R00	M 0 OHM, 1/16W	10	
R3224-29	ERJ3GEY0R00	M 0 OHM, 1/16W	6	
R3320	ERJ6GEY0R00	M 0 OHM, 1/10W	1	
R3323, 24	ERJ6GEY0R00	M 0 OHM, 1/10W	2	
R3401-07	ERJ6GEY0R00	M 0 OHM, 1/10W	7	
R3750	ERJ6ENF6802	M 68KOHM, 1/10W	1	
R3751	ERJ6ENF2202	M 2.2KOHM, 1/10W	1	
R3752	ERJ6GEY0R00	M 0 OHM, 1/10W	1	
R3753	ERJ6ENF6801	M 6.8KOHM, 1/10W	1	
R3754	ERJ6ENF1202	M 12KOHM, 1/10W	1	
R4001	ERJ3GEY0R00	M 0 OHM, 1/16W	1	
R4009	ERJ3GEY0R00	M 0 OHM, 1/16W	1	
R4014	ERJ3EKF1500	M 150 OHM, 1/16W	1	
R4016, 17	ERJ3EKF5760	M 576 OHM, 1/16W	2	
R4027	ERJ3EKF1500	M 150 OHM, 1/16W	1	
R4029, 30	ERJ3EKF1581	M1.58KOHM, 1/10W	2	
R4031	ERJ3EKF4220	M 422 OHM, 1/10W	1	
R4033	ERJ3EKF2201	M 590 OHM, 1/10W	1	
R4035, 36	ERJ3EKF3001	M 3KOHM, 1/16W	2	
R4037	ERJ3EKF5600	M 560 OHM, 1/16W	1	
R4039	ERJ3EKF4220	M 422 OHM, 1/10W	1	
R4041	ERJ6GEYJ102	M 1KOHM, J, 1/10W	1	
R4043, 44	ERJ6GEYJ102	M 1KOHM, J, 1/10W	2	
R4045	ERJ3EKF2201	M 590 OHM, 1/10W	1	
R4046	ERJ6GEYJ102	M 1KOHM, J, 1/10W	1	
R4047	ERJ3EKF5600	M 560 OHM, 1/16W	1	
R4049	ERJ3GEY0R00	M 0 OHM, 1/16W	1	
R4050	ERJ6GEYJ102	M 1KOHM, J, 1/10W	1	
R4051, 52	ERJ3GEY0R00	M 0 OHM, 1/16W	2	
R4053	ERJ6GEYJ102	M 1KOHM, J, 1/10W	1	
R4054	ERJ3EKF1600	M 160 OHM, 1/16W	1	
R4055	ERJ3GEY0R00	M 0 OHM, 1/16W	1	
R4056, 57	ERJ6GEYJ102	M 1KOHM, J, 1/10W	2	
R4058	ERJ3GEY0R00	M 0 OHM, 1/16W	1	
R4059	ERJ3EKF2702V	M27.0KOHM, 1/16W	1	
R4060	ERJ3EKF4302	M 43KOHM, 1/16W	1	
R4062	ERJ3GEY0R00	M 0 OHM, 1/16W	1	
R4064	ERJ3EKF1371	M 13.7 OHM, 1/16W	1	
R4068	ERJ3EKF1691	M 17.4 OHM, 1/16W	1	
R4069-72	ERJ3GEYJ220	M 22 OHM, J, 1/16W	4	
R4075	ERJ3GEYJ220	M 22 OHM, J, 1/16W	1	
R4076, 77	EXB38V220J	RESISTOR ARRAY	2	
R4078	ERJ3GEYJ220	M 22 OHM, J, 1/16W	1	
R4079-81	EXB38V220J	RESISTOR ARRAY	3	
R4082-84	ERJ3GEYJ220	M 22 OHM, J, 1/16W	3	
R4085	ERJ3GEYJ103	M 10KOHM, J, 1/16W	1	
R4086-88	ERJ3GEY0R00	M 0 OHM, 1/16W	3	
R4091-94	ERJ3GEY0R00	M 0 OHM, 1/16W	4	
R4100	ERJ3GEYJ183	M 18KOHM, J, 1/16W	1	
R4101	ERJ3GEYJ822	M 8.2KOHM, J, 1/16W	1	
R4102	ERJ3GEYJ183	M 18KOHM, J, 1/16W	1	
R4103	ERJ3GEYJ822	M 8.2KOHM, J, 1/16W	1	
R4104	ERJ3GEYJ183	M 18KOHM, J, 1/16W	1	
R4106	ERJ3GEYJ822	M 8.2KOHM, J, 1/16W	1	
R4107-09	ERJ3GEYJ330	M 33 OHM, J, 1/16W	3	
R4110	ERJ3GEYJ751	M 750 OHM, J, 1/16W	1	
R4111	ERJ3EKF5601	M 5.6KOHM, 1/16W	1	
R4112	ERJ3GEYJ751	M 750 OHM, J, 1/16W	1	
R4113	ERJ3EKF5601	M 5.6KOHM, 1/16W	1	

Ref. No.	Part No.	Part Name & Description	Pcs	Remarks
R4114	ERJ3GEYJ751	M 750 OHM, J, 1/16W	1	
R4115	ERJ3EKF5601	M 5.6KOHM, 1/16W	1	
R4117	ERJ6ENF5600	M 560 OHM, 1/10W	1	
R4118	ERJ3GEY0R00	M 0 OHM, 1/16W	1	
R4120	ERJ6ENF5600	M 560 OHM, 1/10W	1	
R4123	ERJ6ENF5600	M 560 OHM, 1/10W	1	
R4125-27	ERJ6GEYJ471	M 470 OHM, J, 1/10W	3	
R4128	ERJ3GEY0R00	M 0 OHM, 1/16W	1	
R4130	ERJ3GEY0R00	M 0 OHM, 1/16W	1	
R4132	ERJ3GEY0R00	M 0 OHM, 1/16W	1	
R4134-36	TAJAAH0680JV	M 68 OHM, J, 1/16W	3	
R4137-39	ERJ3GEYJ330	M 33 OHM, J, 1/16W	3	
R4140	ERJ3GEYJ103	M 10KOHM, J, 1/16W	1	
R4143	ERJ3GEY0R00	M 0 OHM, 1/16W	1	
R4144-46	ERJ3GEYJ471	M 470 OHM, J, 1/16W	3	
R4147-49	ERJ3GEYJ153	M 15KOHM, J, 1/16W	3	
R4150	ERJ3GEY0R00	M 0 OHM, 1/16W	1	
R4151, 52	ERJ3EKF2200	M 220 OHM, 1/16W	2	
R4153	ERJ3EKF1020	M 102 OHM, 1/16W	1	
R4154	ERJ3GEYJ220	M 22 OHM, J, 1/16W	1	
R4155	ERJ3GEYJ103	M 10KOHM, J, 1/16W	1	
R4157, 58	ERJ3GEYJ220	M 22 OHM, J, 1/16W	2	
R4159	ERJ3EKF1200	M 120 OHM, 1/16W	1	
R4160	ERJ3EKF1020	M 102 OHM, 1/16W	1	
R4161	ERJ3EKF1200	M 120 OHM, 1/16W	1	
R4163	ERJ3GEY0R00	M 0 OHM, 1/16W	1	
R4165	TAJAAH0680JV	M 68 OHM, J, 1/16W	1	
R4167	ERJ3GEY0R00	M 0 OHM, 1/16W	1	
R4169	ERJ3GEY0R00	M 0 OHM, 1/16W	1	
R4173	ERJ3GEYJ271	M 270 OHM, J, 1/16W	1	
R4174, 75	ERJ3GEY0R00	M 0 OHM, 1/16W	2	
R4177	TAJAAH0680JV	M 68 OHM, J, 1/16W	1	
R4182	ERJ3GEY0R00	M 0 OHM, 1/16W	1	
R4184	TAJAAH0680JV	M 68 OHM, J, 1/16W	1	
R4186	ERJ3GEY0R00	M 0 OHM, 1/16W	1	
R4188	ERJ3GEY0R00	M 0 OHM, 1/16W	1	
R4194-97	TAJAAH0680JV	M 68 OHM, J, 1/16W	4	
R4199	ERJ3EKF1200	M 120 OHM, 1/16W	1	
R4203	ERJ3EKF1020	M 102 OHM, 1/16W	1	
R4204	ERJ3GEYJ510	M 51 OHM, J, 1/16W	1	
R4207	ERJ3EKF1500	M 150 OHM, 1/16W	1	
R4208	ERJ3GEYJ510	M 51 OHM, J, 1/16W	1	
R4209	ERJ3EKF2200	M 220 OHM, 1/16W	1	
R4210	TAJAAH0101JV	M 100 OHM, J, 1/16W	1	
R4211	ERJ3GEY0R00	M 0 OHM, 1/16W	1	
R4228	ERJ3GEY0R00	M 0 OHM, 1/16W	1	
R4236-38	ERJ3GEY0R00	M 0 OHM, 1/16W	3	
R4244	ERJ3GEYJ102	M 1KOHM, J, 1/16W	1	
R4249	EXB38V680J	RESISTOR ARRAY	1	
R4253	EXB38V680J	RESISTOR ARRAY	1	
R4255	ERJ3GEY0R00	M 0 OHM, 1/16W	1	
R4259	EXB38V680J	RESISTOR ARRAY	1	
R4379, 80	ERJ3GEYJ220	M 22 OHM, J, 1/16W	2	
R4381-83	ERJ3GEYJ221	M 220 OHM, J, 1/16W	3	
R4501	TAJAAH0470JV	M 47 OHM, J, 1/16W	1	
R4502	ERJ3GEYJ103	M 10KOHM, J, 1/16W	1	
R4503	ERJ3EKF1202	M 12KOHM, 1/16W	1	
R4504	ERJ3EKF1800	M 180 OHM, 1/16W	1	
R4505	ERJ3EKF2001	M 2KOHM, 1/16W	1	
R4506	ERJ3EKF4302	M 43KOHM, 1/16W	1	
R4508, 09	ERJ3GEYJ220	M 22 OHM, J, 1/16W	2	
R4510-14	ERJ3GEY0R00	M 0 OHM, 1/16W	5	

Ref. No.	Part No.	Part Name & Description	Pcs	Remarks
R4515,16	ERJ3EKF1741	M 17.4 OHM, 1/16W	2	
R4518,19	ERJ3GEY0R00	M 0 OHM, 1/16W	2	
R4520,21	ERJ3GEYJ103	M 10KOHM, J, 1/16W	2	
R4522	ERJ3GEYJ750	M 75 OHM, J, 1/16W	1	
R4523,24	ERJ3GEY0R00	M 0 OHM, 1/16W	2	
R4525	ERJ3GEYJ103	M 10KOHM, J, 1/16W	1	
R4526	TAJAAH0470JV	M 47 OHM, J, 1/16W	1	
R4527	ERJ3GEYJ393	M 39KOHM, J, 1/16W	1	
R4528	ERJ3EKF1001	M 1KOHM, 1/16W	1	
R4529,30	ERJ3GEYJ103	M 10KOHM, J, 1/16W	2	
R4531,32	TAJAAH0101JV	M 100 OHM, J, 1/16W	2	
R4533	ERJ3EKF9100	M 910 OHM, 1/16W	1	
R4534,35	ERJ3GEYJ220	M 22 OHM, J, 1/16W	2	
R4538,39	D1HG1038A002	NETWORK RESISTER	2	
R4540-46	ERJ3GEYJ103	M 10KOHM, J, 1/16W	7	
R4575,76	ERJ3GEY0R00	M 0 OHM, 1/16W	2	
R4577,78	TAJAAH0680JV	M 68 OHM, J, 1/16W	2	
R4583-03	TAJAAH0680JV	M 68 OHM, J, 1/16W	21	
R4604-06	EXB38V680J	RESISTOR ARRAY	3	
R4609	ERJ3GEY0R00	M 0 OHM, 1/16W	1	
R4610-13	TAJAAH0680JV	M 68 OHM, J, 1/16W	4	
R4614-17	EXB2HV680J	RESISTOR ARRAY	4	
R4618	EXB38V680J	RESISTOR ARRAY	1	
R4619	EXB2HV680J	RESISTOR ARRAY	1	
R4620	ERJ3GEY0R00	M 0 OHM, 1/16W	1	
R4659	TAJAAH0680JV	M 68 OHM, J, 1/16W	1	
R4661	TAJAAH0680JV	M 68 OHM, J, 1/16W	1	
R4662,63	ERJ3GEYJ220	M 22 OHM, J, 1/16W	2	
R4664	TAJAAH0101JV	M 100 OHM, J, 1/16W	1	
R4671	EXB38V680J	RESISTOR ARRAY	1	
R4672,73	ERJ3GEYJ103	M 10KOHM, J, 1/16W	2	
R4701,02	ERJ3EKF3002	M 30KOHM, 1/16W	2	
R4704,05	ERJ3EKF1741	M 17.4 OHM, 1/16W	2	
R4706-10	ERJ3GEY0R00	M 0 OHM, 1/16W	5	
R4756-58	ERJ3GEYJ330	M 33 OHM, J, 1/16W	3	
R4759	ERJ3GEYJ510	M 51 OHM, J, 1/16W	1	
R4760	ERJ3GEYJ103	M 10KOHM, J, 1/16W	1	
R4762	ERJ3GEYJ330	M 33 OHM, J, 1/16W	1	
R4763	ERJ3GEYJ103	M 10KOHM, J, 1/16W	1	
R4766	ERJ3GEY0R00	M 0 OHM, 1/16W	1	
R4768	ERJ3GEY0R00	M 0 OHM, 1/16W	1	
R4769	ERJ3GEYJ151	M 150 OHM, J, 1/16W	1	
R4802	ERJ3GEYJ103	M 10KOHM, J, 1/16W	1	
R4805	ERJ3GEYJ103	M 10KOHM, J, 1/16W	1	
R4807,08	ERJ3GEYJ223	M 22KOHM, J, 1/16W	2	
R4810	ERJ3GEYJ103	M 10KOHM, J, 1/16W	1	
R4821-23	EXB38VR000	RESISTOR ARRAY	3	
R4834	ERJ3GEYJ103	M 10KOHM, J, 1/16W	1	
R4841,42	EXB2HV220JV	RESISTOR ARRAY	2	TH-37/42PE50B
R4844	ERJ3GEYJ220	M 22 OHM, J, 1/16W	1	TH-37/42PE50B
R4845-47	ERJ3GEY0R00	M 0 OHM, 1/16W	3	TH-37/42PE50B
R4851	ERJ3GEYJ821	M 820 OHM, J, 1/16W	1	
R4884	ERJ3GEY0R00	M 0 OHM, 1/16W	1	

Ref. No.	Part No.	Part Name & Description	Pcs	Remarks
R4887,88	ERJ3GEY0R00	M 0 OHM, 1/16W	2	
R4897	ERJ3GEY0R00	M 0 OHM, 1/16W	1	
R4911	ERJ3GEY0R00	M 0 OHM, 1/16W	1	TH-37/42PE50B
R4914-16	ERJ3GEY0R00	M 0 OHM, 1/16W	3	TH-37/42PE50B
R4918,19	ERJ3GEY0R00	M 0 OHM, 1/16W	2	
R4920,21	J0JCC0000241	M 0 OHM, 1/16W	2	
R4922-26	ERJ3GEY0R00	M 0 OHM, 1/16W	5	
R4927	J0JCC0000241	M 0 OHM, 1/16W	1	
R4928-39	ERJ3GEY0R00	M 0 OHM, 1/16W	12	
R4943	ERJ6GEYJ102	M 1KOHM, J, 1/10W	1	
R4944,45	ERJ3GEYJ473	M 47KOHM, J, 1/16W	2	
R4946	TAJAAH0101JV	M 100 OHM, J, 1/16W	1	
R4947	ERJ3GEYJ223	M 22KOHM, J, 1/16W	1	
R4948,49	ERJ3EKF3002	M 30KOHM, 1/16W	2	
R4950	ERJ3GEYJ103	M 10KOHM, J, 1/16W	1	TH-37/42PA50E
R4951	ERJ3GEY0R00	M 0 OHM, 1/16W	1	
R4952	ERJ3GEYJ330	M 33 OHM, J, 1/16W	1	
R4953-55	ERJ3GEY0R00	M 0 OHM, 1/16W	3	
R5601	ERJ6ENF4532	M4.53KOHM, 1/10W	1	
R5603	ERJ6ENF2550	M 255 OHM, 1/10W	1	
R5605	ERJ6GEYJ223	M 22KOHM, J, 1/10W	1	
R5606	ERJ6GEYJ103	M 10KOHM, J, 1/10W	1	
R5607	ERJ6ENF1871	M1.87KOHM, 1/10W	1	
R5609	ERJ6ENF1871	M1.87KOHM, 1/10W	1	
R5610	ERJ6GEYJ103	M 10KOHM, J, 1/10W	1	
R5611	ERJ6ENF8202	M 82KOHM, 1/10W	1	
R5612	ERJ6ENF1652	M16.5KOHM, 1/10W	1	
R5615,16	ERJ6GEYJ223	M 22KOHM, J, 1/10W	2	
R5617,18	ERJ6GEYJ221	M 220 OHM, J, 1/10W	2	
R5621	ERJ6GEYJ103	M 10KOHM, J, 1/10W	1	
R5623,24	ERJ6GEY0R00	M 0 OHM, 1/10W	2	
R5625-27	ERJ6GEYJ472	M 4.7KOHM, J, 1/10W	3	
R5630	ERJ6GEY0R00	M 0 OHM, 1/10W	1	
R5632	ERJ6GEYJ471	M 470 OHM, J, 1/10W	1	
R5633	ERJ6GEYJ102	M 1KOHM, J, 1/10W	1	
R5634	ERJ6GEYJ471	M 470 OHM, J, 1/10W	1	
R5635	ERJ6GEYJ221	M 220 OHM, J, 1/10W	1	
R5636	ERJ6GEYJ471	M 470 OHM, J, 1/10W	1	
R5637,38	ERJ6GEYJ103	M 10KOHM, J, 1/10W	2	
R5639	ERJ6GEYJ222	M 2.2KOHM, J, 1/10W	1	
R5640	ERJ6GEYJ472	M 4.7KOHM, J, 1/10W	1	
R5641	ERJ6GEYJ222	M 2.2KOHM, J, 1/10W	1	
R5642	ERJ6GEYJ471	M 470 OHM, J, 1/10W	1	
R5643	ERJ6GEYJ681	M 680 OHM, J, 1/10W	1	
R5644	ERJ6GEYJ222	M 2.2KOHM, J, 1/10W	1	
R5645,46	ERJ6ENF2201	M 2.2KOHM, 1/10W	2	
R5647	ERJ6GEYJ221	M 220 OHM, J, 1/10W	1	
R5648	ERJ6GEYJ392	M 3.9KOHM, J, 1/10W	1	
R5649	ERJ6GEYJ104	M 100KOHM, J, 1/10W	1	
R5650	ERJ6GEYJ221	M 220 OHM, J, 1/10W	1	
R5652	ERJ6GEY0R00	M 0 OHM, 1/10W	1	
R5653-56	ERJ6GEYJ103	M 10KOHM, J, 1/10W	4	
R5657,58	ERJ6GEYJ472	M 4.7KOHM, J, 1/10W	2	
R5660	ERJ6GEY0R00	M 0 OHM, 1/10W	1	
R5662	ERJ6GEY0R00	M 0 OHM, 1/10W	1	
R5670	ERJ6GEYJ103	M 10KOHM, J, 1/10W	1	
R5672	ERJ6GEYJ103	M 10KOHM, J, 1/10W	1	
R5675	ERJ6GEYJ471	M 470 OHM, J, 1/10W	1	
R5680	ERJ6GEY0R00	M 0 OHM, 1/10W	1	



Ref. No.	Part No.	Part Name & Description	Pcs	Remarks
R5692	ERJ6GEYJ102	M 1KOHM, J, 1/10W	1	
R5693	ERJ6GEYJ333	M 33KOHM, J, 1/10W	1	
R5694, 95	ERJ6GEYJ103	M 10KOHM, J, 1/10W	2	
R5696	ERJ6GEYJ152	M 1.5KOHM, J, 1/10W	1	
R5815	ERJ6ENF3900	M 390 OHM, 1/10W	1	
R5819	ERJ6ENF2941	M2.94KOHM, 1/10W	1	
R5820	ERX3FJSR22D	M 2.2 OHM, J, 3W	1	
R6001	ERJ6GEYJ104	M 100KOHM, J, 1/10W	1	
R6002-05	ERJ6GEYJ151	M 150 OHM, J, 1/10W	4	
R6006, 07	ERJ6GEYJ101	M 100 OHM, J, 1/10W	2	
R6008, 09	ERJ6GEYJ104	M 100KOHM, J, 1/10W	2	
R6011-16	ERJ14YJ150U	M 15 OHM, J, 1/4W	6	
R6019-22	ERJ14YJ150U	M 15 OHM, J, 1/4W	4	
R6023	ERJ6GEYJ103	M 10KOHM, J, 1/10W	1	
R6024	ERJ6GEYJ100	M 10 OHM, J, 1/10W	1	
R6025	ERJ6GEYJ103	M 10KOHM, J, 1/10W	1	
R6026	ERJ6GEYJ100	M 10 OHM, J, 1/10W	1	
R6027, 28	TAJAAH0101JV	M 100 OHM, J, 1/16W	2	
R6029-31	ERJ6GEYJ103	M 10KOHM, J, 1/10W	3	
R6033	ERJ14YJ204	M 200KOHM, J, 1/4W	1	
R6034, 35	ERJ14YJ150U	M 15 OHM, J, 1/4W	2	
R6041, 42	ERJ14YJ5R6U	M 6.2OHM, 1/4W	2	
R6049, 50	ERJ14YJ5R6U	M 6.2OHM, 1/4W	2	
R6055	ERJ6GEYJ101	M 100 OHM, J, 1/10W	1	
R6056	ERJ6GEYJ104	M 100KOHM, J, 1/10W	1	
R6057	ERGLFJS470D	M 47 OHM, J, 1W	1	
R6059, 60	TAJAAH0101JV	M 100 OHM, J, 1/16W	2	
R6061	ERJ6ENF1001	M 1KOHM, 1/10W	1	
R6062, 63	ERJ6GEYJ224	M 220KOHM, J, 1/10W	2	
R6067	ERGLFJS472D	M 4.7KOHM, J, 1W	1	
R6068	ERG2FJS123D	M 12KOHM, J, 2W	1	
R6069	ERJ6ENF4992	M49.9KOHM, 1/10W	1	
R6070	ERJ6ENF4872	M48.7KOHM, 1/10W	1	
R6073	ERJ6ENF2551	M2.55KOHM, 1/10W	1	
R6074	ERJ6ENF4642	M46.4KOHM, 1/10W	1	
R6076	ERJ6GEY0R00	M 0 OHM, 1/10W	1	
R6077, 78	ERX3FJSR22D	M 2.2 OHM, J, 3W	2	
R6079, 80	ERJ6GEYJ101	M 100 OHM, J, 1/10W	2	
R6081	ERJ6GEYJ222	M 2.2KOHM, J, 1/10W	1	
R6082, 83	TAJAAH0101JV	M 100 OHM, J, 1/16W	2	
R6084	ERJ14YJ224	M 220KOHM, J, 1/4W	1	
R6085, 86	ERJ6GEYJ470	M 47 OHM, J, 1/10W	2	
R6087	ERJ6GEYJ101	M 100 OHM, J, 1/10W	1	
R6088	ERJ6GEYJ103	M 10KOHM, J, 1/10W	1	
R6089	ERJ6GEYJ102	M 1KOHM, J, 1/10W	1	
R6090	ERJ14YJ181U	M 181 OHM, J, 1/4W	1 42 INCH	
R6091	ERJ6GEYJ102	M 1KOHM, J, 1/10W	1 42 INCH	
R6092	ERJ6GEYJ151	M 150 OHM, J, 1/10W	1	
R6101	TAJAAH0470JV	M 47 OHM, J, 1/16W	1	
R6102	EXB38V470J	RESISTOR ARRAY	1	
R6104	ERJ3GEYJ472	M 4.7KOHM, J, 1/16W	1	
R6105	EXB38V472J	RESISTOR ARRAY	1	
R6107	TAJAAH0470JV	M 47 OHM, J, 1/16W	1	
R6110	ERJ3GEYJ472	M 4.7KOHM, J, 1/16W	1	
R6118, 19	ERJ6ENF3902	M 39KOHM, 1/10W	2	
R6120	ERJ6ENF7501	M 7.5KOHM, 1/10W	1	
R6121	ERJ6GEYJ103	M 10KOHM, J, 1/10W	1	
R6123	ERJ6GEYJ152	M 1.5KOHM, J, 1/10W	1	

Ref. No.	Part No.	Part Name & Description	Pcs	Remarks
R6124	ERJ6GEYJ103	M 10KOHM, J, 1/10W	1	
R6125	ERJ6GEYJ222	M 2.2KOHM, J, 1/10W	1	
R6126	ERJ6GEYJ152	M 1.5KOHM, J, 1/10W	1	
R6431	ERJ6GEY0R00	M 0 OHM, 1/10W	1	
R6433	ERJ6GEY0R00	M 0 OHM, 1/10W	1	
R6439, 40	ERJ6GEYJ103	M 10KOHM, J, 1/10W	2	
R6450	ERJ6GEYJ563	M 56KOHM, J, 1/10W	1	
R6451	ERJ6GEYJ103	M 10KOHM, J, 1/10W	1	
R6452	ERJ6GEYJ563	M 56KOHM, J, 1/10W	1	
R6453	ERJ6GEYJ472	M 4.7KOHM, J, 1/10W	1	
R6454, 55	ERJ14YJ103	M 10KOHM, J, 1/4W	2	
R6456	ERJ6ENF1183	M 118KOHM, 1/10W	1	
R6457, 58	ERJ6ENF2551	M2.55KOHM, 1/10W	2	
R6459	ERJ14YJ104	M 100KOHM, J, 1/4W	1	
R6460	ERJ14YJ203U	M 20KOHM, 1/2W	1	
R6461	ERGLFJS471D	M 470 OHM, J, 1W	1	
R6463	ERJ6GEYJ102	M 1KOHM, J, 1/10W	1	
R6464	ERJ6GEYJ222	M 2.2KOHM, J, 1/10W	1	
R6465	ERX3FJS8R2D	M 8.2 OHM, J, 3W	1	
R6466	ERJ6GEYJ102	M 1KOHM, J, 1/10W	1	
R6467	ERJ6GEYJ122	M 1.2KOHM, J, 1/10W	1	
R6468	ERJ6GEYJ472	M 4.7KOHM, J, 1/10W	1	
R6469	ERJ6ENF1602	M 16KOHM, 1/10W	1	
R6471	ERJ6ENF4701	M 4.7KOHM, 1/10W	1	
R6472	ERJ6GEYJ102	M 1KOHM, J, 1/10W	1	
R6473	ERJ6GEYJ822	M 8.2KOHM, J, 1/10W	1	
R6474	ERGLFJS121D	M 120 OHM, J, 1W	1	
R6475	ERJ6GEYJ332	M 3.3KOHM, J, 1/10W	1	
R6476	ERJ6ENF2743	M 274KOHM, 1/10W	1	
R6478	ERJ6ENF6981	M6.98KOHM, 1/10W	1	
R6479	ERJ6GEYJ104	M 100KOHM, J, 1/10W	1	
R6480	ERJ6GEYJ103	M 10KOHM, J, 1/10W	1	
R6481	ERJ6ENF1001	M 1KOHM, 1/10W	1	
R6482	ERJ6GEYJ472	M 4.7KOHM, J, 1/10W	1	
R6483	ERJ14YJ752	M 75KOHM, J, 1/4W	1	
R6484	ERJ6GEYJ472	M 4.7KOHM, J, 1/10W	1	
R6485, 86	ERJ6GEYJ103	M 10KOHM, J, 1/10W	2	
R6487	ERJ6GEYJ472	M 4.7KOHM, J, 1/10W	1	
R6488	ERJ6GEYJ103	M 10KOHM, J, 1/10W	1	
R6489	ERJ6GEYJ472	M 4.7KOHM, J, 1/10W	1	
R6491	ERJ14YJ104	M 100KOHM, J, 1/4W	1	
R6492	ERJ6ENF2003	M 200KOHM, 1/10W	1	
R6493	ERJ6ENF2703	M 270KOHM, 1/10W	1	
R6495, 96	ERJ6GEYJ154	M 150KOHM, J, 1/10W	2	
R6497	ERJ6GEYJ103	M 10KOHM, J, 1/10W	1	
R6498, 99	ERX1FJS8R2D	M 8.2 OHM, J, 1W	2	
R6500	ERJ6GEYJ122	M 1.2KOHM, J, 1/10W	1	
R6501-09	ERJ6GEYJ222	M 2.2KOHM, J, 1/10W	9	
R6510	ERX3FJS2R2D	M 2.2 OHM, J, 3W	1	
R6511	ERJ6GEYJ100	M 10 OHM, J, 1/10W	1	
R6512	ERJ6GEYJ471	M 470 OHM, J, 1/10W	1	
R6513	ERX3FJS2R2D	M 2.2 OHM, J, 3W	1	
R6514	ERJ6GEYJ104	M 100KOHM, J, 1/10W	1	
R6515	ERJ6GEYJ100	M 10 OHM, J, 1/10W	1	
R6516	ERJ6GEYJ471	M 470 OHM, J, 1/10W	1	
R6517	ERJ6GEYJ103	M 10KOHM, J, 1/10W	1	
R6518	TAJAAH0101JV	M 100 OHM, J, 1/16W	1	
R6519	ERJ6GEYJ102	M 1KOHM, J, 1/10W	1	
R6520	ERJ6GEYJ151	M 150 OHM, J, 1/10W	1	
R6521	ERJ6GEYJ104	M 100KOHM, J, 1/10W	1	
R6524	ERJ6ENF3001	M 3KOHM, 1/10W	1	
R6525	ERJ6GEYJ104	M 100KOHM, J, 1/10W	1	
R6526	ERJ6GEYJ470	M 47 OHM, J, 1/10W	1	
R6527	ERJ14YJ102	M 1KOHM, J, 1/4W	1	
R6528	ERJ6GEYJ102	M 1KOHM, J, 1/10W	1	
R6529-36	ERJ6GEYJ470	M 47 OHM, J, 1/10W	8	
R6538	ERJ6GEYJ102	M 1KOHM, J, 1/10W	1	

Ref. No.	Part No.	Part Name & Description	Pcs	Remarks
R6539	TAJAAH0101JV	M 100 OHM, J, 1/16W	1	
R6540	ERJ6GEYJ104	M 100KOHM, J, 1/10W	1	
R6541	ERJ6GEYJ470	M 47 OHM, J, 1/10W	1	
R6542	ERJ6GEYJ100	M 10 OHM, J, 1/10W	1	
R6544-46	ERJ6GEYJ100	M 10 OHM, J, 1/10W	3	
R6548	ERJ6GEYJ100	M 10 OHM, J, 1/10W	1	
R6550	ERJ6GEYJ223	M 22KOHM, J, 1/10W	1	
R6551	ERJ6GEYJ101	M 100 OHM, J, 1/10W	1	
R6552, 53	ERJ6ENF1003	M 100KOHM, 1/10W	2	
R6554	ERG1FJS101D	M 100 OHM, J, 1W	1	
R6555	ERJ6GEYJ104	M 100KOHM, J, 1/10W	1	
R6556	ERJ6GEYJ122	M 1.2KOHM, J, 1/10W	1	
R6558	ERJ6GEYJ103	M 10KOHM, J, 1/10W	1	
R6559	ERJ6GEYJ222	M 2.2KOHM, J, 1/10W	1	
R6560, 61	ERJ6GEYJ470	M 47 OHM, J, 1/10W	2	
R6562	ERJ6GEYJ102	M 1KOHM, J, 1/10W	1	
R6563	ERJ6GEYJ5R6	M 5.6 OHM, J, 1/10W	1	
R6565	ERJ6GEYJ103	M 10KOHM, J, 1/10W	1	
R6566	TAJAAH0101JV	M 100 OHM, J, 1/16W	1	
R6567, 68	ERJ6GEYJ472	M 4.7KOHM, J, 1/10W	2	
R6570	ERJ6GEYJ103	M 10KOHM, J, 1/10W	1	
R6571-78	ERJ6GEYJ471	M 470 OHM, J, 1/10W	8	
R6580	ERJ6GEYJ103	M 10KOHM, J, 1/10W	1	
R6581	TAJAAH0101JV	M 100 OHM, J, 1/16W	1	
R6582, 83	ERJ6ENF3902	M 39KOHM, 1/10W	2	
R6584	ERJ6ENF7501	M 7.5KOHM, 1/10W	1	
R6585	ERJ6GEYJ102	M 1KOHM, J, 1/10W	1	
R6586	ERJ6GEYJ103	M 10KOHM, J, 1/10W	1	
R6587	ERJ6GEYJ152	M 1.5KOHM, J, 1/10W	1	
R6588, 89	ERJ6GEYJ103	M 10KOHM, J, 1/10W	2	
R6590	ERJ6GEYJ222	M 2.2KOHM, J, 1/10W	1	
R6591	ERJ6GEYJ152	M 1.5KOHM, J, 1/10W	1	
R6592, 93	ERJ6GEYJ105	M 1MOHM, J, 1/10W	2	
R6594	ERJ14YJ104	M 100KOHM, J, 1/4W	1	
R6595	ERJ6ENF1432	M14.3KOHM, 1/10W	1	
R6596	ERJ6ENF5231	M5.23KOHM, 1/10W	1	
R6598	ERJ6GEYJ103	M 10KOHM, J, 1/10W	1	
R6599, 00	ERJ6GEYJ101	M 100 OHM, J, 1/10W	2	
R6604	ERJ6GEYJ101	M 100 OHM, J, 1/10W	1	
R6605-07	ERJ6GEYJ224	M 220KOHM, J, 1/10W	3	
R6608, 09	ERJ12YJ1R0	M 1 OHM, J, 1/2W	2	
R6610	ERJ6GEYJ104	M 100KOHM, J, 1/10W	1	
R6611-14	ERJ14YJ150U	M 15 OHM, J, 1/4W	4	
R6615	ERJ6GEYJ332	M 3.3KOHM, J, 1/10W	1	
R6616	ERDS1FJ221	C 220 OHM, J, 1/2W	1	
R6617, 18	ERJ6GEYJ222	M 2.2KOHM, J, 1/10W	2	
R6619, 20	ERJ14YJ150U	M 15 OHM, J, 1/4W	2	
R6621	ERJ6ENF1543	M 154KOHM, 1/10W	1	
R6622, 23	ERJ6GEYJ103	M 10KOHM, J, 1/10W	2	
R6624	ERJ6GEYJ100	M 10 OHM, J, 1/10W	1	
R6625	ERJ6GEYJ103	M 10KOHM, J, 1/10W	1	
R6626	ERJ6GEYJ100	M 10 OHM, J, 1/10W	1	
R6627, 28	TAJAAH0101JV	M 100 OHM, J, 1/16W	2	
R6629	ERJ6ENF2202	M 2.2KOHM, 1/10W	1	
R6630	ERJ14YJ204	M 200KOHM, J, 1/4W	1	
R6635-38	ERJ14YJ150U	M 15 OHM, J, 1/4W	4	
R6641, 42	ERJ14YJ5R6U	M 6.2OHM, 1/4W	2	
R6643, 44	ERJ14YJ150U	M 15 OHM, J, 1/4W	2	

Ref. No.	Part No.	Part Name & Description	Pcs	Remarks
R6645, 46	ERJ6GEYJ151	M 150 OHM, J, 1/10W	2	
R6647, 48	ERJ14YJ5R6U	M 6.2OHM, 1/4W	2	
R6649	EXB38V680J	RESISTOR ARRAY	1	
R6653	EXB38V680J	RESISTOR ARRAY	1	
R6655	ERJ6GEYJ101	M 100 OHM, J, 1/10W	1	
R6656	ERJ6GEYJ104	M 100KOHM, J, 1/10W	1	
R6659, 60	TAJAAH0101JV	M 100 OHM, J, 1/16W	2	
R6661, 62	ERJ6GEYJ151	M 150 OHM, J, 1/10W	2	
R6663	EXB38V472J	RESISTOR ARRAY	1	
R6664	EXB38V470J	RESISTOR ARRAY	1	
R6667, 68	ERJ6GEYJ151	M 150 OHM, J, 1/10W	2	
R6669	EXB38V472J	RESISTOR ARRAY	1	
R6670	EXB38V470J	RESISTOR ARRAY	1	
R6675	EXB38V472J	RESISTOR ARRAY	1	
R6676	EXB38V470J	RESISTOR ARRAY	1	
R6683	EXB38V470J	RESISTOR ARRAY	1	
R6686	EXB38V472J	RESISTOR ARRAY	1	
R6696	ERJ6GEYJ103	M 10KOHM, J, 1/10W	1	
R6699	ERJ6GEYJ103	M 10KOHM, J, 1/10W	1	
R6901	ERJ6GEYJ101	M 100 OHM, J, 1/10W	1	
R6902-04	ERJ6GEYJ221	M 220 OHM, J, 1/10W	3	
R6910, 11	ERJ6GEYJ104	M 100KOHM, J, 1/10W	2	
R6912	ERJ6GEYJ472	M 4.7KOHM, J, 1/10W	1	
R6913	ERJ6GEYJ224	M 220KOHM, J, 1/10W	1	
R6920-23	ERJ6GEYJ103	M 10KOHM, J, 1/10W	4	
R6924	ERJ6GEYJ224	M 220KOHM, J, 1/10W	1	
R6955	ERJ6GEYJ101	M 100 OHM, J, 1/10W	1	
R6956-58	ERJ6GEYJ221	M 220 OHM, J, 1/10W	3	
R6959	ERJ6GEYJ224	M 220KOHM, J, 1/10W	1	
R6975-78	ERJ6GEYJ103	M 10KOHM, J, 1/10W	4	
R6979	ERJ6GEYJ224	M 220KOHM, J, 1/10W	1	
R7102	ERJ14YJ220	M 22 OHM, J, 1/4W	1	
R7103	ERJ14YJ220	M 22 OHM, J, 1/4W	1	37 INCH
R7104	ERJ6GEYJ103	M 10KOHM, J, 1/10W	1	37 INCH
R7105	TAJAAH0470JV	M 47 OHM, J, 1/16W	1	37 INCH
R7105	ERJ6GEYJ103	M 10KOHM, J, 1/10W	1	42 INCH
R7106, 07	ERJ14YJ220	M 22 OHM, J, 1/4W	2	
R7108	TAJAAH0470JV	M 47 OHM, J, 1/16W	1	42 INCH
R7109	ERJ6GEYOR00	M 0 OHM, 1/10W	1	42 INCH
R7110, 11	ERJ14YJ220	M 22 OHM, J, 1/4W	2	
R7117	ERJ6GEYJ224	M 220KOHM, J, 1/10W	1	
R7119, 20	ERJ3GEYOR00	M 0 OHM, 1/16W	2	42 INCH
R7121	ERJ14YJ220	M 22 OHM, J, 1/4W	1	42 INCH
R7121-23	ERJ8GEYOR00	M 0 OHM, 1/8W	3	37 INCH
R7125	ERJ6GEYJ102	M 1KOHM, J, 1/10W	1	
R7126-28	TAJAAH0470JV	M 47 OHM, J, 1/16W	3	
R7130	ERJ3GEYOR00	M 0 OHM, 1/16W	1	
R7132-35	ERJ3GEYOR00	M 0 OHM, 1/16W	4	
R7136-41	ERJ14YJ220	M 22 OHM, J, 1/4W	6	
R7142, 43	EXB38V470J	RESISTOR ARRAY	2	
R7144-46	EXB38V470J	RESISTOR ARRAY	3	37 INCH
R7148	EXB38V470J	RESISTOR ARRAY	1	42 INCH
R7154	EXB38V470J	RESISTOR ARRAY	1	42 INCH
R7161	ERJ6GEYOR00	M 0 OHM, 1/10W	1	
R7162, 63	TAJAAH0470JV	M 47 OHM, J, 1/16W	2	
R7166, 67	TAJAAH0470JV	M 47 OHM, J, 1/16W	2	

Ref. No.	Part No.	Part Name & Description	Pcs	Remarks
R7170,71	TAJAAH0470JV	M 47 OHM, J, 1/16W	2	
R7172-74	ERJ8GEY0R00	M 0 OHM, 1/8W	3	42 INCH
R7175-77	ERJ6GEY0R00	M 0 OHM, 1/10W	3	
R7187	ERJ6GEYJ223	M 22KOHM, J, 1/10W	1	
R7188	ERJ6GEYJ104	M 100KOHM, J, 1/10W	1	
R7192	ERJ6GEY0R00	M 0 OHM, 1/10W	1	
R7194	ERJ6GEY0R00	M 0 OHM, 1/10W	1	
R7196,97	ERJ3GEY0R00	M 0 OHM, 1/16W	2	37 INCH
R7202,03	ERJ14YJ220	M 22 OHM, J, 1/4W	2	
R7204	ERJ3GEYJ560	M 56 OHM, J, 1/16W	1	37 INCH
R7204,05	ERJ8GEY0R00	M 0 OHM, 1/8W	2	42 INCH
R7206,07	ERJ14YJ220	M 22 OHM, J, 1/4W	2	
R7208,09	ERJ8GEY0R00	M 0 OHM, 1/8W	2	42 INCH
R7210,11	ERJ14YJ220	M 22 OHM, J, 1/4W	2	
R7212	ERJ6GEYJ103	M 10KOHM, J, 1/10W	1	42 INCH
R7213	ERJ6GEY0R00	M 0 OHM, 1/10W	1	42 INCH
R7214,15	ERJ14YJ220	M 22 OHM, J, 1/4W	2	
R7217	ERJ6GEYJ224	M 220KOHM, J, 1/10W	1	
R7218-21	ERJ8GEY0R00	M 0 OHM, 1/8W	4	37 INCH
R7218-21	ERJ3GEY0R00	M 0 OHM, 1/16W	4	42 INCH
R7222	ERJ3GEYJ560	M 56 OHM, J, 1/16W	1	42 INCH
R7223	TAJAAH0470JV	M 47 OHM, J, 1/16W	1	42 INCH
R7225	ERJ6GEYJ102	M 1KOHM, J, 1/10W	1	
R7226-29	TAJAAH0470JV	M 47 OHM, J, 1/16W	4	
R7230	ERJ3GEY0R00	M 0 OHM, 1/16W	1	
R7232	ERJ3GEY0R00	M 0 OHM, 1/16W	1	
R7233-40	ERJ14YJ220	M 22 OHM, J, 1/4W	8	
R7241,42	EXB38V470J	RESISTOR ARRAY	2	
R7243-45	ERJ6GEY0R00	M 0 OHM, 1/10W	3	42 INCH
R7243-46	ERJ3GEY0R00	M 0 OHM, 1/16W	4	37 INCH
R7247	ERJ6GEY0R00	M 0 OHM, 1/10W	1	37 INCH
R7247	ERJ6GEYJ104	M 100KOHM, J, 1/10W	1	42 INCH
R7248	ERJ6GEYJ103	M 10KOHM, J, 1/10W	1	37 INCH
R7248	ERJ6GEYJ223	M 22KOHM, J, 1/10W	1	42 INCH
R7249,50	EXB38V470J	RESISTOR ARRAY	2	
R7251-53	TAJAAH0470JV	M 47 OHM, J, 1/16W	3	37 INCH
R7251-53	ERJ6GEY0R00	M 0 OHM, 1/10W	3	42 INCH
R7254	ERJ6GEYJ223	M 22KOHM, J, 1/10W	1	37 INCH
R7255	ERJ6GEYJ104	M 100KOHM, J, 1/10W	1	37 INCH
R7254,55	TAJAAH0470JV	M 47 OHM, J, 1/16W	2	42 INCH
R7257,58	EXB38V470J	RESISTOR ARRAY	2	
R7259	ERJ6GEY0R00	M 0 OHM, 1/10W	1	
R7260-65	ERJ6GEY0R00	M 0 OHM, 1/10W	6	37 INCH
R7261,62	ERJ3GEY0R00	M 0 OHM, 1/16W	2	42 INCH
R7283	ERJ6GEY0R00	M 0 OHM, 1/10W	1	42 INCH
R7289,90	TAJAAH0470JV	M 47 OHM, J, 1/16W	2	
R7293	TAJAAH0470JV	M 47 OHM, J, 1/16W	1	
R7296	ERJ3GEYJ151	M 150 OHM, J, 1/16W	1	42 INCH
R7296	TAJAAH0470JV	M 47 OHM, J, 1/16W	1	37 INCH
R7297	TAJAAH0470JV	M 47 OHM, J, 1/16W	1	
R7298,99	ERJ3GEY0R00	M 0 OHM, 1/16W	2	37 INCH

Ref. No.	Part No.	Part Name & Description	Pcs	Remarks
R8003,04	ERJ2GEJ181	M 180 OHM, J, 0.063W	2	TH-37/42PE50B
R8006	ERJ2GE0R00	M 0.0 OHM, J, 0.063W	1	TH-37/42PE50B
R8008	ERJ2GEJ102	M 1KOHM, J, 0.063W	1	TH-37/42PE50B
R8010-12	ERJ2GEJ103	M 10KOHM, J, 0.063W	3	TH-37/42PE50B
R8014,15	ERJ2GEJ103	M 10KOHM, J, 0.063W	2	TH-37/42PE50B
R8016	ERJ2GE0R00	M 0.0 OHM, J, 0.063W	1	TH-37/42PE50B
R8020-22	ERJ2GEJ103	M 10KOHM, J, 0.063W	3	TH-37/42PE50B
R8023	ERJ2GE0R00	M 0.0 OHM, J, 0.063W	1	TH-37/42PE50B
R8024-26	ERJ2GEJ104	M 100KOHM, J, 0.063W	3	TH-37/42PE50B
R8027	D1HG5608A002	NETWORK RESISTER	1	TH-37/42PE50B
R8028-30	ERJ2GEJ560	M 56 OHM, J, 0.063W	3	TH-37/42PE50B
R8033	ERJ2GEJ472	M 4.7KOHM, J, 0.063W	1	TH-37/42PE50B
R8034,35	ERJ3GEY0R00	M 0 OHM, 1/16W	2	TH-37/42PE50B
R8036	ERJ3GEYJ163	M 16KOHM, J, 1/16W	1	TH-37/42PE50B
R8039,40	ERJ2GEJ472	M 4.7KOHM, J, 0.063W	2	TH-37/42PE50B
R8041	ERJ2GEJ154	M 150KOHM, J, 0.063W	1	TH-37/42PE50B
R8046	ERJ2GEJ330	M 33 OHM, J, 0.063W	1	TH-37/42PE50B
R8047-50	ERJ2GEJ101	M 100 OHM, J, 0.063W	4	TH-37/42PE50B
R8051	EXB38V330J	RESISTOR ARRAY	1	TH-37/42PE50B
R8052-55	ERJ2GEJ103	M 10KOHM, J, 0.063W	4	TH-37/42PE50B
R8056	ERJ2GEJ330	M 33 OHM, J, 0.063W	1	TH-37/42PE50B
R8057	ERJ2GEJ680	M 68 OHM, J, 0.063W	1	TH-37/42PE50B
R8058	EXB38V330J	RESISTOR ARRAY	1	TH-37/42PE50B
R8059	ERJ2GEJ103	M 10KOHM, J, 0.063W	1	TH-37/42PE50B
R8073	ERJ2GEJ105	M 1MOHM, J, 0.063W	1	TH-37/42PE50B
R8074,75	ERJ2GEJ181	M 180 OHM, J, 0.063W	2	TH-37/42PE50B
R8076	ERJ2GEJ103	M 10KOHM, J, 0.063W	1	TH-37/42PE50B
R8078	ERJ2GEJ222	M 2.2KOHM, J, 0.063W	1	TH-37/42PE50B
R8079	ERJ2GEJ103	M 10KOHM, J, 0.063W	1	TH-37/42PE50B
R8084,85	D1HG1218A002	NETWORK RESISTER	2	TH-37/42PE50B
R8086-88	ERJ2GEJ560	M 56 OHM, J, 0.063W	3	TH-37/42PE50B
R8101	ERJ3GEYF181	M 180 OHM, J, 1/16W	1	TH-37/42PE50B
R8104	ERJ2GEJ560	M 56 OHM, J, 0.063W	1	TH-37/42PE50B
R8106,07	ERJ2GEJ103	M 10KOHM, J, 0.063W	2	TH-37/42PE50B
R8108	ERJ3EKF2212	M 22KOHM, 1/16W	1	TH-37/42PE50B
R8109	ERJ3EKF2402	M 24KOHM, 1/16W	1	TH-37/42PE50B
R8110	ERJ2GE0R00	M 0.0 OHM, J, 0.063W	1	TH-37/42PE50B
R8112,13	ERJ3GEY0R00	M 0 OHM, 1/16W	2	TH-37/42PE50B
R8115	ERJ3GEYF272	M 2.7KOHM, 1/16W	1	TH-37/42PE50B
R8117	ERJ6GEYJ471	M 470 OHM, J, 1/10W	1	TH-37/42PE50B
R8124	ERJ2GEJ471	M 470 OHM, J, 0.063W	1	TH-37/42PE50B
R8127	ERJ2GE0R00	M 0.0 OHM, J, 0.063W	1	TH-37/42PE50B
R8131	ERJ2GE0R00	M 0.0 OHM, J, 0.063W	1	TH-37/42PE50B
R8132	ERJ2GEJ560	M 56 OHM, J, 0.063W	1	TH-37/42PE50B
R8133	ERJ3GEYJ560	M 56 OHM, J, 1/16W	1	TH-37/42PE50B
R8136	ERJ2GEJ103	M 10KOHM, J, 0.063W	1	TH-37/42PE50B
R8137	ERJ2GEJ121	M 120 OHM, J, 0.063W	1	TH-37/42PE50B
R8140,41	ERJ3EKF1001	M 1KOHM, 1/16W	2	TH-37/42PE50B
R8144,45	D1HG5608A002	NETWORK RESISTER	2	TH-37/42PE50B
R8148,49	D1HG3908A002	NETWORK RESISTER	2	TH-37/42PE50B

Ref. No.	Part No.	Part Name & Description	Pcs	Remarks
R8150-59	ERJ2GEJ390X	M 39 OHM, J,0.063W	10	TH-37/42PE50B
R8161,62	ERJ2GEJ390X	M 39 OHM, J,0.063W	2	TH-37/42PE50B
R8163	ERJ2GEJ560	M 56 OHM, J,0.063W	1	TH-37/42PE50B
R8165	ERJ2GEJ560	M 56 OHM, J,0.063W	1	TH-37/42PE50B
R8167-71	ERJ2GEJ103	M 10KOHM, J,0.063W	5	TH-37/42PE50B
R8172	ERJ2GEJ473	M 47KOHM, J,0.063W	1	TH-37/42PE50B
R8173	ERJ2GE0R00	M 0.0 OHM, J,0.063W	1	TH-37/42PE50B
R8175	ERJ3GEYJ103	M 10KOHM, J,1/16W	1	TH-37/42PE50B
R8176	ERJ2GEJ103	M 10KOHM, J,0.063W	1	TH-37/42PE50B
R8180-82	ERJ2GEJ560	M 56 OHM, J,0.063W	3	TH-37/42PE50B
R8183	ERJ2GE0R00	M 0.0 OHM, J,0.063W	1	TH-37/42PE50B
R8184	ERJ2GEJ223	M 22KOHM, J,0.063W	1	TH-37/42PE50B
R8185,86	ERJ2GEJ101	M 10.0 OHM, J,0.063W	2	TH-37/42PE50B
R8187	ERJ2GEJ103	M 10KOHM, J,0.063W	1	TH-37/42PE50B
R8193	ERJ2GEJ103	M 10KOHM, J,0.063W	1	TH-37/42PE50B
R8195	ERJ2GEJ103	M 10KOHM, J,0.063W	1	TH-37/42PE50B
R8196	ERJ3GEYJ103	M 10KOHM, J,1/16W	1	TH-37/42PE50B
R8201-04	ERJ2GEJ103	M 10KOHM, J,0.063W	4	TH-37/42PE50B
R8214	ERJ2GE0R00	M 0.0 OHM, J,0.063W	1	TH-37/42PE50B
R8215	ERJ2GEJ103	M 10KOHM, J,0.063W	1	TH-37/42PE50B
R8216,17	ERJ2GEJ560	M 56 OHM, J,0.063W	2	TH-37/42PE50B
R8218,19	D1HG33080001	NETWORK RESISTER	2	TH-37/42PE50B
R8220-22	D1HG5608A002	NETWORK RESISTER	3	TH-37/42PE50B
R8223	ERJ2GEJ560	M 56 OHM, J,0.063W	1	TH-37/42PE50B
R8225	ERJ2GEJ103	M 10KOHM, J,0.063W	1	TH-37/42PE50B
R8231	ERJ3GEYJ330	M 33 OHM, J,1/16W	1	TH-37/42PE50B
R8232,33	ERJ2GEJ330	M 33 OHM, J,0.063W	2	TH-37/42PE50B
R8235	ERJ2GEJ330	M 33 OHM, J,0.063W	1	TH-37/42PE50B
R8238-43	ERJ2GEJ330	M 33 OHM, J,0.063W	6	TH-37/42PE50B
R8245,46	ERJ2GEJ330	M 33 OHM, J,0.063W	2	TH-37/42PE50B
R8250	ERJ2GEJ103	M 10KOHM, J,0.063W	1	TH-37/42PE50B
R8252-54	ERJ2GEJ330	M 33 OHM, J,0.063W	3	TH-37/42PE50B
R8255-57	ERJ2GEJ103	M 10KOHM, J,0.063W	3	TH-37/42PE50B
R8259	ERJ3GEYJ103	M 10KOHM, J,1/16W	1	TH-37/42PE50B
R8260-63	ERJ2GEJ560	M 56 OHM, J,0.063W	4	TH-37/42PE50B
R8264-68	ERJ2GEJ103	M 10KOHM, J,0.063W	5	TH-37/42PE50B
R8269	ERJ2GEJ560	M 56 OHM, J,0.063W	1	TH-37/42PE50B
R8271	ERJ2GEJ560	M 56 OHM, J,0.063W	1	TH-37/42PE50B
R8272	EXB38V560J	RESISTOR ARRAY	1	TH-37/42PE50B
R8273	ERJ2GEJ560	M 56 OHM, J,0.063W	1	TH-37/42PE50B
R8275	ERJ2GEJ560	M 56 OHM, J,0.063W	1	TH-37/42PE50B
R8277	ERJ2GEJ560	M 56 OHM, J,0.063W	1	TH-37/42PE50B
R8279	ERJ2GE0R00	M 0.0 OHM, J,0.063W	1	TH-37/42PE50B
R8282	ERJ2GEJ560	M 56 OHM, J,0.063W	1	TH-37/42PE50B
R8284	ERJ8GEY0R00	M 0 OHM, 1/8W	1	TH-37/42PE50B
R8286,87	ERJ2GEJ560	M 56 OHM, J,0.063W	2	TH-37/42PE50B
R8290	EXB38V560J	RESISTOR ARRAY	1	TH-37/42PE50B
R8291,92	ERJ2GEJ560	M 56 OHM, J,0.063W	2	TH-37/42PE50B
R8308,09	ERJ2GE0R00	M 0.0 OHM, J,0.063W	2	TH-37/42PE50B
R8310-15	ERJ3EKF75R0	M 0.75HM, 1/16W	6	TH-37/42PE50B
R8319	ERJ3EKF2702V	M27.0KOHM, 1/16W	1	TH-37/42PE50B
R8320	ERJ3EKF1002	M 10KOHM, 1/16W	1	TH-37/42PE50B
R8321	ERJ3EKF8201	M 8.2KOHM, 1/16W	1	TH-37/42PE50B

Ref. No.	Part No.	Part Name & Description	Pcs	Remarks
R8349	ERJ2GEJ104	M 100KOHM, J,0.063W	1	TH-37/42PE50B
R8350	ERJ3EKF8201	M 8.2KOHM, 1/16W	1	TH-37/42PE50B
R8351	ERJ3EKF1002	M 10KOHM, 1/16W	1	TH-37/42PE50B
R8352	ERJ3EKF2702V	M27.0KOHM, 1/16W	1	TH-37/42PE50B
R8353	ERJ2GEJ332	M 3.3KOHM, J,0.063W	1	TH-37/42PE50B
R8354	ERJ2GEJ272	M 2.7KOHM, J,0.063W	1	TH-37/42PE50B
R8355,56	EXB2HV104JV	RESISTOR ARRAY	2	TH-37/42PE50B
R8366	ERJ2GEJ103	M 10KOHM, J,0.063W	1	TH-37/42PE50B
R8367,68	ERJ2GEJ560	M 56 OHM, J,0.063W	2	TH-37/42PE50B
R8372-76	ERJ2GEJ560	M 56 OHM, J,0.063W	5	TH-37/42PE50B
R8386	JOJCC0000078	CHIP INDUCTOR	1	TH-37/42PE50B
R8401	ERJ8GEY0R00	M 0 OHM, 1/8W	1	TH-37/42PE50B
R8402	ERJ6GEY0R00	M 0 OHM, 1/10W	1	TH-37/42PE50B
R8414	ERJ2GE0R00	M 0.0 OHM, J,0.063W	1	TH-37/42PE50B
R8415,16	ERJ2GEJ223	M 22KOHM, J,0.063W	2	TH-37/42PE50B
R8417,18	EXB38V473J	RESISTOR ARRAY	2	TH-37/42PE50B
R8419,20	EXB38V101J	RESISTOR ARRAY	2	TH-37/42PE50B
R8421	ERJ2GEJ103	M 10KOHM, J,0.063W	1	TH-37/42PE50B
R8422	ERJ3GEYF331	M 330 OHM, J,1/16W	1	TH-37/42PE50B PAVCCZ
R8424	ERJ8RSJR10	M 1 OHM, 1/8W	1	TH-37/42PE50B
R8425,26	EXB38V101J	RESISTOR ARRAY	2	TH-37/42PE50B
R8427-31	ERJ2GEJ560	M 56 OHM, J,0.063W	5	TH-37/42PE50B
R8433,34	EXB38V560J	RESISTOR ARRAY	2	TH-37/42PE50B
R8435	ERJ2GEJ101	M 100 OHM, J,0.063W	1	TH-37/42PE50B
R8443	EXB38V560J	RESISTOR ARRAY	1	TH-37/42PE50B
R8444	ERJ2GEJ101	M 100 OHM, J,0.063W	1	TH-37/42PE50B
R8445,46	ERJ2GEJ560	M 56 OHM, J,0.063W	2	TH-37/42PE50B
R8447	ERJ2GEJ223	M 22KOHM, J,0.063W	1	TH-37/42PE50B
R8448	ERJ2GEJ473	M 47KOHM, J,0.063W	1	TH-37/42PE50B
R8449,50	ERJ2GEJ103	M 10KOHM, J,0.063W	2	TH-37/42PE50B
R8451	EXB38V104J	RESISTOR ARRAY	1	TH-37/42PE50B
R8452	ERJ2GEJ104	M 100KOHM, J,0.063W	1	TH-37/42PE50B
R8453	EXB38V104J	RESISTOR ARRAY	1	TH-37/42PE50B
R8454	ERJ2GEJ104	M 100KOHM, J,0.063W	1	TH-37/42PE50B
R8456-59	EXB38V560J	RESISTOR ARRAY	4	TH-37/42PE50B
R8460	ERJ2GEJ104	M 100KOHM, J,0.063W	1	TH-37/42PE50B
R8461	ERJ2GEJ560	M 56 OHM, J,0.063W	1	TH-37/42PE50B
R8462,63	ERJ2GE0R00	M 0.0 OHM, J,0.063W	2	TH-37/42PE50B
R8464	ERJ2GEJ560	M 56 OHM, J,0.063W	1	TH-37/42PE50B
R8465	ERJ2GEJ103	M 10KOHM, J,0.063W	1	TH-37/42PE50B
R8466	EXB38V560J	RESISTOR ARRAY	1	TH-37/42PE50B
R8467,68	ERJ2GEJ560	M 56 OHM, J,0.063W	2	TH-37/42PE50B
R8469	EXB38V560J	RESISTOR ARRAY	1	TH-37/42PE50B
R8474	ERJ2GE0R00	M 0.0 OHM, J,0.063W	1	TH-37/42PE50B
R8475,76	ERJ2GEJ103	M 10KOHM, J,0.063W	2	TH-37/42PE50B
R8477,78	ERJ2GEJ560	M 56 OHM, J,0.063W	2	TH-37/42PE50B
R8479	ERJ2GEJ203	M 20KOHM, J,0.063W	1	TH-37/42PE50B
R8480-82	ERJ2GEJ560	M 56 OHM, J,0.063W	3	TH-37/42PE50B
R8483	ERJ2GEJ203	M 20KOHM, J,0.063W	1	TH-37/42PE50B
R8484	ERJ2GEJ223	M 22KOHM, J,0.063W	1	TH-37/42PE50B

Ref. No.	Part No.	Part Name & Description	Pcs	Remarks
R8485	ERJ2GEJ333	M 33KOHM, J,0.063W	1	TH-37/42PE50B
R8486	ERJ2GEJ223	M 22KOHM, J,0.063W	1	TH-37/42PE50B
R8487	ERJ2GEJ560	M 56 OHM, J,0.063W	1	TH-37/42PE50B
R8488	ERJ2GEOR00	M 0.0 OHM, J,0.063W	1	TH-37/42PE50B
R8489	ERJ2GEJ102	M 1KOHM, J,0.063W	1	TH-37/42PE50B
R8491	ERJ3EKF9102	M91.0KOHM, 1/16W	1	TH-37/42PE50B
R8492	ERJ3EKF9101	M 9.1KOHM, 1/16W	1	TH-37/42PE50B
R8493	ERJ3EKF9102	M91.0KOHM, 1/16W	1	TH-37/42PE50B
R8494	ERJ3EKF1202	M 12KOHM, 1/16W	1	TH-37/42PE50B
R8495,96	EXB38V560J	RESISTOR ARRAY	2	TH-37/42PE50B
R8497	ERJ3EKF7500	M 750 OHM, 1/16W	1	TH-37/42PE50B
R8498	ERJ3EKF6800	M 680 OHM, 1/16W	1	TH-37/42PE50B
R8499	ERA3YED243	M 24KOHM 1/16W	1	TH-37/42PE50B
R8500	ERJ3EKF1052	M10.5KOHM, 1/16W	1	TH-37/42PE50B
R8501	ERJ3EKF2322	M23.2KOHM, 1/16W	1	TH-37/42PE50B
R8502	ERJ3EKF1003	M 100KOHM, 1/16W	1	TH-37/42PE50B
R8503,04	ERJ2GEJ103	M 10KOHM, J,0.063W	2	TH-37/42PE50B
R8505	ERJ2GEJ101	M 100 OHM, J,0.063W	1	TH-37/42PE50B
R8538,39	ERJ2GEJ101	M 100 OHM, J,0.063W	2	TH-37/42PE50B
R8546	ERJ2GEJ333	M 33KOHM, J,0.063W	1	TH-37/42PE50B
R8547	ERJ2GEJ102	M 1KOHM, J,0.063W	1	TH-37/42PE50B
R8602-04	ERJ2GEJ101	M 100 OHM, J,0.063W	3	TH-37/42PE50B
R8605,06	ERJ2GEJ104	M 100KOHM, J,0.063W	2	TH-37/42PE50B
R8608	ERJ2GEJ105	M 1MOHM, J,0.063W	1	TH-37/42PE50B
R8610	ERJ2GEJ332	M 3.3KOHM, J,0.063W	1	TH-37/42PE50B
R8611	ERJ6GEY0R00	M 0 OHM, 1/10W	1	TH-37/42PE50B
R8614	ERJ2GEJ221	M 220 OHM, J,0.063W	1	TH-37/42PE50B
R8615	ERJ2GEOR00	M 0.0 OHM, J,0.063W	1	TH-37/42PE50B
R8706-09	ERJ2GEJ103	M 10KOHM, J,0.063W	4	TH-37/42PE50B
R8711	ERJ2GEJ560	M 56 OHM, J,0.063W	1	TH-37/42PE50B
R8712	EXB38V560J	RESISTOR ARRAY	1	TH-37/42PE50B
R8713	EXB38V103J	RESISTOR ARRAY	1	TH-37/42PE50B
R8714-16	ERJ2GEJ560	M 56 OHM, J,0.063W	3	TH-37/42PE50B
R8802	ERJ2GEOR00	M 0.0 OHM, J,0.063W	1	TH-37/42PE50B
R8821	ERJ2GEOR00	M 0.0 OHM, J,0.063W	1	TH-37/42PE50B
R8827,28	ERJ2GEJ392	M 3.9KOHM, J,0.063W	2	TH-37/42PE50B
R8830	ERJ2GEJ101	M 100 OHM, J,0.063W	1	TH-37/42PE50B
R8862-64	ERJ2GEOR00	M 0.0 OHM, J,0.063W	3	TH-37/42PE50B
R8899,00	ERJ2GEOR00	M 0.0 OHM, J,0.063W	2	TH-37/42PE50B
R8912	ERJ2GEOR00	M 0.0 OHM, J,0.063W	1	TH-37/42PE50B
R8927,28	ERJ2GEOR00	M 0.0 OHM, J,0.063W	2	TH-37/42PE50B
R8930	ERJ3GEY0R00	M 0 OHM, 1/16W	1	TH-37/42PE50B
R8931,32	ERJ2GEJ392	M 3.9KOHM, J,0.063W	2	TH-37/42PE50B
R8933	ERJ2GEOR00	M 0.0 OHM, J,0.063W	1	TH-37/42PE50B
R8954	ERJ2GEJ103	M 10KOHM, J,0.063W	1	TH-37/42PE50B
R8960	ERJ2GEOR00	M 0.0 OHM, J,0.063W	1	TH-37/42PE50B
R8962-64	ERJ2GEJ101	M 100 OHM, J,0.063W	3	TH-37/42PE50B
R8967,68	EXB2HV473JV	RESISTOR ARRAY	2	TH-37/42PE50B PAVCCZ
R8969-71	ERJ2GEJ473	M 47KOHM, J,0.063W	3	TH-37/42PE50B
R8980	ERJ2GEJ102	M 1KOHM, J,0.063W	1	TH-37/42PE50B
R8981-87	ERJ2GEOR00	M 0.0 OHM, J,0.063W	7	TH-37/42PE50B

Ref. No.	Part No.	Part Name & Description	Pcs	Remarks
R8989,90	ERJ2GEJ102	M 1KOHM, J,0.063W	2	TH-37/42PE50B
R9002	ERJ3GEYJ103	M 10KOHM, J,1/16W	1	
R9004-06	ERJ3GEYJ103	M 10KOHM, J,1/16W	3	
R9007	ERJ3GEYJ102	M 1KOHM, J,1/16W	1	
R9009	ERJ3GEYJ103	M 10KOHM, J,1/16W	1	
R9010	EXB2HV272JV	RESISTOR ARRAY	1	
R9012	EXB2HV272JV	RESISTOR ARRAY	1	
R9013	ERJ3GEYJ103	M 10KOHM, J,1/16W	1	
R9015-18	ERJ3GEYJ103	M 10KOHM, J,1/16W	4	
R9019	ERJ3GEY0R00	M 0 OHM, 1/16W	1	
R9020,21	ERJ3GEYJ102	M 1KOHM, J,1/16W	2	
R9022	ERJ6ENF1001	M 1KOHM, 1/10W	1	
R9023	ERJ6ENF1601	M 1.6KOHM, 1/10W	1	
R9024	ERJ6GEY0R00	M 0 OHM, 1/10W	1	
R9026	ERJ3GEYJ100	M 10 OHM, J,1/16W	1	
R9028	ERJ3GEYJ332	M 3.3KOHM, J,1/16W	1	
R9029,30	ERJ3GEYJ220	M 22 OHM, J,1/16W	2	
R9031,32	ERJ3GEYJ562	M 5.6KOHM, J,1/16W	2	
R9033,34	ERJ3GEYJ103	M 10KOHM, J,1/16W	2	
R9035,36	ERJ6GEY0R00	M 0 OHM, 1/10W	2	
R9039	TAJAAH0101JV	M 100 OHM, J,1/16W	1	
R9040	ERJ3GEYJ100	M 10 OHM, J,1/16W	1	
R9041	ERJ3GEYJ472	M 4.7KOHM, J,1/16W	1	
R9042	ERJ3GEYJ102	M 1KOHM, J,1/16W	1	
R9043,44	TAJAAH0101JV	M 100 OHM, J,1/16W	2	
R9045	ERJ3GEYJ102	M 1KOHM, J,1/16W	1	
R9046	ERJ3GEYJ123	M 12KOHM, J,1/16W	1	
R9047-50	TAJAAH0101JV	M 100 OHM, J,1/16W	4	
R9052	ERJ3GEYJ103	M 10KOHM, J,1/16W	1	
R9053	ERJ3GEYJ472	M 4.7KOHM, J,1/16W	1	
R9054,55	ERJ3GEYJ272	M 2.7KOHM, J,1/16W	2	
R9056,57	ERJ3GEYJ220	M 22 OHM, J,1/16W	2	
R9058,59	ERJ3GEYJ562	M 5.6KOHM, J,1/16W	2	
R9060-67	TAJAAH0101JV	M 100 OHM, J,1/16W	8	
R9068-72	ERJ3GEYJ103	M 10KOHM, J,1/16W	5	
R9073	EXB2HV470JV	RESISTOR ARRAY	1	
R9074	TAJAAH0101JV	M 100 OHM, J,1/16W	1	
R9075	EXB2HV470JV	RESISTOR ARRAY	1	
R9076	TAJAAH0101JV	M 100 OHM, J,1/16W	1	
R9077-79	ERJ3GEY0R00	M 0 OHM, 1/16W	3	
R9080	ERJ3GEYJ223	M 22KOHM, J,1/16W	1	
R9081	ERJ3GEYJ103	M 10KOHM, J,1/16W	1	
R9082-89	TAJAAH0101JV	M 100 OHM, J,1/16W	8	
R9090	ERJ3GEYJ562	M 5.6KOHM, J,1/16W	1	
R9091,92	ERJ3GEYJ103	M 10KOHM, J,1/16W	2	
R9093	ERJ3GEYJ473	M 47KOHM, J,1/16W	1	
R9094	ERJ6GEY0R00	M 0 OHM, 1/10W	1	
R9095-98	ERJ3GEYJ103	M 10KOHM, J,1/16W	4	
R9102-04	TAJAAH0101JV	M 100 OHM, J,1/16W	3	
R9105	ERJ3GEYJ103	M 10KOHM, J,1/16W	1	
R9107-09	ERJ3GEYJ393	M 39KOHM, J,1/16W	3	
R9110	ERJ3GEYJ103	M 10KOHM, J,1/16W	1	
R9111,12	ERJ3GEY0R00	M 0 OHM, 1/16W	2	
R9113	ERJ3GEYJ103	M 10KOHM, J,1/16W	1	

Ref. No.	Part No.	Part Name & Description	Pcs	Remarks
R9114-16	ERJ3GEY0R00	M 0 OHM, 1/16W	3	
R9117,18	EXB38VR000	RESISTOR ARRAY	2	
R9119	ERJ3GEY0R00	M 0 OHM, 1/16W	1	
R9120,21	TAJAAH0101JV	M 100 OHM, J, 1/16W	2	
R9122-24	ERJ3GEYJ103	M 10KOHM, J, 1/16W	3	
R9125,26	ERJ3GEYJ102	M 1KOHM, J, 1/16W	2	
R9127,28	ERJ3GEYJ103	M 10KOHM, J, 1/16W	2	
R9130	ERJ3GEYJ103	M 10KOHM, J, 1/16W	1	
R9131-33	ERJ3GEYJ472	M 4.7KOHM, J, 1/16W	3	
R9134-36	TAJAAH0101JV	M 100 OHM, J, 1/16W	3	
R9137	ERJ3GEYJ472	M 4.7KOHM, J, 1/16W	1	
R9140-42	ERJ3GEYJ103	M 10KOHM, J, 1/16W	3	
R9145-47	ERJ3GEYJ103	M 10KOHM, J, 1/16W	3	
R9160,61	ERJ3GEYJ220	M 22 OHM, J, 1/16W	2	
R9162,63	ERJ3GEYJ562	M 5.6KOHM, J, 1/16W	2	
R9164,65	TAJAAH0101JV	M 100 OHM, J, 1/16W	2	
R9200-02	TAJAAH0470JV	M 47 OHM, J, 1/16W	3	
R9204	TAJAAH0470JV	M 47 OHM, J, 1/16W	1	
R9205	ERJ3GEYJ103	M 10KOHM, J, 1/16W	1	
R9208	ERJ3GEYJ103	M 10KOHM, J, 1/16W	1	
R9210	ERJ3GEYJ103	M 10KOHM, J, 1/16W	1	
R9212	ERJ3GEY0R00	M 0 OHM, 1/16W	1	
R9300-04	D1HG33080001	NETWORK RESISTER	5	
R9305	ERJ3GEYJ103	M 10KOHM, J, 1/16W	1	
R9306,07	D1HG33080001	NETWORK RESISTER	2	
R9308	ERJ3GEYJ102	M 1KOHM, J, 1/16W	1	
R9309	ERJ3GEYJ472	M 4.7KOHM, J, 1/16W	1	
R9313-16	ERJ3GEY0R00	M 0 OHM, 1/16W	4	
R9318,19	ERJ3GEY0R00	M 0 OHM, 1/16W	2	
R9321	ERJ6GEY0R00	M 0 OHM, 1/10W	1	
R9322	ERJ3GEY0R00	M 0 OHM, 1/16W	1	
R9323	ERJ3GEYJ102	M 1KOHM, J, 1/16W	1	
R9324-28	ERJ3GEY0R00	M 0 OHM, 1/16W	5	
R9329	ERJ3GEYJ103	M 10KOHM, J, 1/16W	1	
R9330-33	ERJ3GEY0R00	M 0 OHM, 1/16W	4	
R9335,36	ERJ3GEYJ472	M 4.7KOHM, J, 1/16W	2	
R9337	ERJ6ENF1101	M 1.1KOHM, 1/10W	1	
R9338	ERJ6ENF1401	M 1.4KOHM, 1/10W	1	
R9339-42	ERJ6ENF1001	M 1KOHM, 1/10W	4	
R9500-03	ERJ3GEYJ103	M 10KOHM, J, 1/16W	4	
R9505-10	TAJAAH0101JV	M 100 OHM, J, 1/16W	6	
R9511	EXB2HV272JV	RESISTOR ARRAY	1	
R9512	ERJ3GEYJ103	M 10KOHM, J, 1/16W	1	
R9513	EXB2HV272JV	RESISTOR ARRAY	1	
R9515	EXB2HV272JV	RESISTOR ARRAY	1	
R9516,17	ERJ3GEYJ103	M 10KOHM, J, 1/16W	2	
R9518	EXB2HV470JV	RESISTOR ARRAY	1	
R9519-21	EXB38V470J	RESISTOR ARRAY	3	
R9522,23	EXB2HV470JV	RESISTOR ARRAY	2	
R9524-26	TAJAAH0470JV	M 47 OHM, J, 1/16W	3	

Ref. No.	Part No.	Part Name & Description	Pcs	Remarks
R9527	EXB38V470J	RESISTOR ARRAY	1	
R9528,29	TAJAAH0470JV	M 47 OHM, J, 1/16W	2	
R9531	ERJ3GEYJ103	M 10KOHM, J, 1/16W	1	
R9533,34	ERJ3GEYJ103	M 10KOHM, J, 1/16W	2	
R9536	TAJAAH0680JV	M 68 OHM, J, 1/16W	1	
R9537,38	ERJ3GEYJ103	M 10KOHM, J, 1/16W	2	
R9540	ERJ3GEYJ304V	M 300KOHM, J, 1/16W	1	
R9544	ERJ3GEYJ103	M 10KOHM, J, 1/16W	1	
R9547	ERJ3GEY0R00	M 0 OHM, 1/16W	1	
R9700	ERJ3GEY0R00	M 0 OHM, 1/16W	1	
R9702-04	ERJ3GEYJ103	M 10KOHM, J, 1/16W	3	
R9706,07	ERJ6ENF1001	M 1KOHM, 1/10W	2	
R9708	ERJ6GEY0R00	M 0 OHM, 1/10W	1	
R9709	TAJAAH0101JV	M 100 OHM, J, 1/16W	1	
R9714	ERJ3GEY0R00	M 0 OHM, 1/16W	1	
R9716,17	ERJL14KJ33M	M 33 OHM, J, 1/4W	2	
R9718	ERJ6ENF2002	M 20KOHM, 1/10W	1	
R9719	ERJ6ENF1742	M17.4KOHM, 1/10W	1	
R9720	ERJ6ENF6342	M6.34KOHM, 1/10W	1	
R9721	ERJ6ENF2002	M 20KOHM, 1/10W	1	
R9722,23	ERJ3GEYJ100	M 10 OHM, J, 1/16W	2	
R9724	TAJAAH0101JV	M 100 OHM, J, 1/16W	1	
R9725	ERJ3GEYJ104	M 100KOHM, J, 1/16W	1	
R9726,27	ERJ3GEYJ100	M 10 OHM, J, 1/16W	2	
R9728,29	ERJ6ENF2002	M 20KOHM, 1/10W	2	
R9738,39	ERJ3GEY0R00	M 0 OHM, 1/16W	2	
R9740-42	ERJ6GEY0R00	M 0 OHM, 1/10W	3	
R9824	ERJ3GEYJ103	M 10KOHM, J, 1/16W	1	
R9830	EXB2HV470JV	RESISTOR ARRAY	1	
R9900	ERJ3GEYJ472	M 4.7KOHM, J, 1/16W	1	
R9901	ERJ3GEYJ103	M 10KOHM, J, 1/16W	1	
R9902	ERJ3GEYJ104	M 100KOHM, J, 1/16W	1	
R9903	ERJ3GEYJ472	M 4.7KOHM, J, 1/16W	1	
R9904	ERJ3GEYJ103	M 10KOHM, J, 1/16W	1	
R9905	ERJ3GEYJ104	M 100KOHM, J, 1/16W	1	
R9906	EXB2HV470JV	RESISTOR ARRAY	1	
R9907	ERJ3GEYJ220	M 22 OHM, J, 1/16W	1	
R9908,09	EXB38V470J	RESISTOR ARRAY	2	
R9910,11	ERJ3GEYJ220	M 22 OHM, J, 1/16W	2	
R9912	EXB2HV470JV	RESISTOR ARRAY	1	
R9913	ERJ3GEYJ220	M 22 OHM, J, 1/16W	1	
R9914	EXB38V470J	RESISTOR ARRAY	1	
R9915,16	ERJ3GEYJ220	M 22 OHM, J, 1/16W	2	
R9917-19	EXB2HV470JV	RESISTOR ARRAY	3	
R9922	EXB2HV470JV	RESISTOR ARRAY	1	
R9923	ERJ3GEYJ103	M 10KOHM, J, 1/16W	1	
RM2510	PNA4601M05TV	REMOCO RECEIVER	1	
RTL	TNPA3519AB	CIRCUIT BOARD DG	1	TH-37/42PA50E PAVCCZ $\Delta$
RTL	TNPA3519AD	CIRCUIT BOARD DG	1	TH-37/42PE50B PAVCCZ $\Delta$
RTL	TNPA3520AC	CIRCUIT BOARD H	1	TH-37/42PA50E PAVCCZ $\Delta$
RTL	TNPA3520AD	CIRCUIT BOARD H	1	TH-37/42PE50B PAVCCZ $\Delta$
RTL	TNPA3620AB	CIRCUIT BOARD PA	1	PAVCCZ $\Delta$
RTL	TNPA3621AE	CIRCUIT BOARD Z	1	PAVCCZ $\Delta$
RTL	TNPA3521	CIRCUIT BOARD TA	1	TH-37/42PA50E PAVCCZ $\Delta$

Ref. No.	Part No.	Part Name & Description	Pcs	Remarks
RTL	TNPA3521AB	CIRCUIT BOARD TA	1	TH-37/42PE50B PAVCCZ $\Delta$
RTL	TNP0EXV01AC	CIRCUIT BOARD XV	1	TH-37/42PE50B PAVCCZ $\Delta$
RTL	TNPA3545	CIRCUIT BOARD C1	1	42 INCH $\Delta$
RTL	TNPA3541	CIRCUIT BOARD C1	1	37 INCH $\Delta$
RTL	TNPA3546	CIRCUIT BOARD C2	1	42 INCH $\Delta$
RTL	TNPA3542	CIRCUIT BOARD C2	1	37 INCH $\Delta$
RTL	TZTNP010YFS	CIRCUIT BOARD D	1	PAVCCZ $\Delta$
RTL	TNPA3570	CIRCUIT BOARD P	1	$\Delta$
RTL	TNPA3643AB	CIRCUIT BOARD PB	1	PAVCCZ $\Delta$
RTL	TNPA3543	CIRCUIT BOARD SC	1	42 INCH $\Delta$
RTL	TNPA3543AB	CIRCUIT BOARD SC	1	37 INCH $\Delta$
RTL	TNPA3243	CIRCUIT BOARD SD	1	42 INCH $\Delta$
RTL	TNPA3233	CIRCUIT BOARD SD	1	37 INCH $\Delta$
RTL	TNPA3544	CIRCUIT BOARD SS	1	42 INCH $\Delta$
RTL	TNPA3544AB	CIRCUIT BOARD SS	1	37 INCH $\Delta$
RTL	TNPA3242	CIRCUIT BOARD SU	1	42 INCH $\Delta$
RTL	TNPA3232	CIRCUIT BOARD SU	1	37 INCH $\Delta$
RTL	TNPA3603AB	CIRCUIT BOARD K	1	TH-37/42PE50B PAVCCZ $\Delta$
RTL	TNPA3603AC	CIRCUIT BOARD K	1	TH-37/42PA50E PAVCCZ $\Delta$
RTL	TNPA3604AB	CIRCUIT BOARD S	1	PAVCCZ $\Delta$
S1	K1KA03AA0193	3P CONNECTOR	1	
SC2	K1KA06AA0192	6P CONNECTOR	1	
SC20	K1KA20AA0008	20P CONNECTOR	1	
SC23	K1KA03AA0193	3P CONNECTOR	1	
SC30	K1KA03AA0193	3P CONNECTOR	1	
SC41, 42	K1ML80BA0001	80P CONNECTOR	2	
SC45, 46	K1KA10AA00431	10P CONNECTOR	2	
SD1-D3	K1MN80B00004	80P CONNECTOR	3	
SD46	K1KA10B00209	10P CONNECTOR	1	
SS11	K1KA07AA0192	7P CONNECTOR	1	
SS12	K1KA05AA0192	5P CONNECTOR	1	
SS23	K1KA12AA0194	12P CONNECTOR	1	
SS34	K1KA03AA0193	3P CONNECTOR	1	
SS41-44	K1MN13B00020	13P CONNECTOR	4	42 INCH
SS41A-44A	K1MN13B00020	13P CONNECTOR	4	37 INCH
SU1-U3	K1MN80B00004	80P CONNECTOR	3	
SU45	K1KA10B00209	10P CONNECTOR	1	
SW2500	K0F162B00002	SWITCH	1	
SW3751-55	EVQ11G05R	SWITCH	5	
SW8001	EVQPLHA15	SWITCH	1	
T6461	ETS13TB139AP	SWITCHING TRANS	1	
T6471	ETS19AA259AC	SWITCHING TRANS	1	
TA5	K1KB15B00013	15P CONNECTOR	1	
TA6	K1KB09B00019	9P CONNECTOR	1	
TU001	ENG37A12GF	TUNER	1	TH-37/42PA50E PAVCCZ $\Delta$
TU001	ENGF7301GF	TUNER	1	TH-37/42PE50B PAVCCZ $\Delta$
TU8001	ENV87H06D8F	TUNER	1	TH-37/42PE50B PAVCCZ $\Delta$
VR6074	EVMEASA00B14	CONTROL 10KOHMB 0.3W	1	
VR6477	EVMEASA00B23	CONTROL 2KOHMB 0.3W	1	
VR6557	EVMEASA00B14	CONTROL 10KOHMB 0.3W	1	
X1101	H0J600400006	CRYSTAL	1	
X2101	TSSA128	CRYSTAL	1	

Ref. No.	Part No.	Part Name & Description	Pcs	Remarks
X2102	EFCT6504BN	CRYSTAL	1	TH-37/42PA50E
X2103	EFCT7004BN	CRYSTAL	1	TH-37/42PA50E
X4002	H0J270500087	CRYSTAL	1	
X8003	H0J241500001	CRYSTAL	1	TH-37/42PE50B PAVCCZ
X8006	H0J270500090	CRYSTAL	1	TH-37/42PE50B PAVCCZ
X9000	H2D2705A0004	CRYSTAL	1	
X9200	H0J200500038	CRYSTAL	1	
XV01	K1KAB0A00010	110P CONNECTOR	1	TH-37/42PE50B
XV04	K1KA04BA00050	4P CONNECTOR	1	TH-37/42PE50B
Z2	K1KA05AA0192	5P CONNECTOR	1	
Z50	K1MN35A00013	35P CONNECTOR	1	
ZA5601-04	K9ZZ00000424	CONNECTOR	4	
ZA5801-04	K9ZZ00000424	CONNECTOR	4	
ZA6001	K4CD01000013	TERMINAL	1	42 INCH
ZA6002	K4CD01000013	TERMINAL	1	
ZA6003	K4CD01000013	TERMINAL	1	42 INCH
ZA6004	K4CD01000013	TERMINAL	1	
ZA6601-03	K4CD01000013	TERMINAL	3	
ZA7101	K4CD01000013	TERMINAL	1	
ZA7102	K4CD01000013	TERMINAL	1	42 INCH
ZA7203	K4CD01000013	TERMINAL	1	37 INCH
ZA7104	K4CD01000013	TERMINAL	1	42 INCH
ZA7201	K4CD01000013	TERMINAL	1	
ZA7203	K4CD01000013	TERMINAL	1	
ZA7204	K4CD01000013	TERMINAL	1	42 INCH
ZA9001	K4CD01000013	TERMINAL	1	
ZMM1	TMM25401	CLAMPER	1	
C402	ECJ2XC1H101J	C 100PF, J, 50V	1	
C403	ECKCNA222MEB	C 2200PF, M	1	$\Delta$
C404	F0CAF105A021	C 1UF, 250V	1	$\Delta$
C405	ECJ2XB1H103K	C 0.01UF, K, 50V	1	
C407	ECA2WHG220	E 22UF, 450V	1	
C409	F0CAF105A021	C 1UF, 250V	1	$\Delta$
C410	ECJ3YB1E105K	C 1UF, K, 25V	1	
C411-14	ECJ2XB1H103K	C 0.01UF, K, 50V	4	
C415,16	F1A3A102A040	C 1000PF, J, 1KV	2	
C417	ECJ2XB1H103K	C 0.01UF, K, 50V	1	
C418	F1J1C1050011	C 1UF, Z, 50V	1	
C419	F1A3A102A040	C 1000PF, J, 1KV	1	
C421,22	ECJ2XB1H103K	C 0.01UF, K, 50V	2	
C423	ECJ2XB1H472K	C 4700PF, K, 50V	1	
C424	F1A3A102A040	C 1000PF, J, 1KV	1	
C425	ECJ2XB1H103K	C 0.01UF, K, 50V	1	
C426	ECJ2XC1H471J	C 470PF, J, 50V	1	
C427	F1J1C1050011	C 1UF, Z, 50V	1	
C428	ECJ2XC1H221J	C 220PF, J, 50V	1	
C429,30	F1K2J1530002	C 0.15PF, J, 630V	2	
C431	ECJ2XB1H102K	C 1000PF, K, 50V	1	
C432-34	F1J1C1050011	C 1UF, Z, 50V	3	
C436	F1J1C1050011	C 1UF, Z, 50V	1	
C440	ECA1HM100	E 10UF, 50V	1	
C443,44	F1A3A102A040	C 1000PF, J, 1KV	2	
C445	F1J1C1050011	C 1UF, Z, 50V	1	
C446	F2B2W3910005	C 390UF, 450V	1	
C451	F1A3A101A040	C 100PF, J, 1KV	1	
C457	ECWH12333RHV	P 0.013UF, J, 1.2KV	1	
C459	F1K2J1530002	C 0.15PF, J, 630V	1	
C460,61	F1A3A331A039	E 330UF, 1KV	2	
C462	ECJ3YB1E105K	C 1UF, K, 25V	1	
C463	ECJ2XC1H220J	C 22UF, J, 50V	1	
C465	ECKCNA221KB7	C 220PF, M,	1	$\Delta$
C467	ECKCNA221KB7	C 220PF, M,	1	$\Delta$
C468	ECJ2XB1H103K	C 0.01UF, K, 50V	1	
C470	F0CAF105A021	C 1UF, 250V	1	$\Delta$

Ref. No.	Part No.	Part Name & Description	Pcs	Remarks
C471	FLJ1C1050011	C 1UF, Z, 50V	1	
C473	ECKCNA221KB7	C 220PF, M,	1	△
C476	ECKCNA221KB7	C 220PF, M,	1	△
C482	ECJ2XB1H104K	C 0.1UF, K, 50V	1	
C490	ECJ2XC1H331J	C 330PF, J, 50V	1	
C491	ECJ2XB1E104K	C 0.1UF, K, 25V	1	
C492	ECJ2XC1H271J	C 270PF, J, 50V	1	
C493	ECA1EM101	E 100UF, 25V	1	
C494,95	ECJ2XC1H101J	C 100PF, J, 50V	2	
C496	FLJ1C1050011	C 1UF, Z, 50V	1	
C497	ECA1EM221	E 220UF, 25V	1	
C498	ECJ2XB1H104K	C 0.1UF, K, 50V	1	
C501-03	ECJ2XB1H103K	C 0.01UF, K, 50V	3	
C504	FLJ1C1050011	C 1UF, Z, 50V	1	
C505	ECJ2XB1H102K	C 1000PF, K, 50V	1	
C506-08	ECJ2XB1H103K	C 0.01UF, K, 50V	3	
C509	ECA1EM101	E 100UF, 25V	1	
C510	ECJ2XB1H104K	C 0.1UF, K, 50V	1	
C511	ECA1EM331	E 330UF, 25V	1	
C512-14	ECJ2XC1H471J	C 470PF, J, 50V	3	
C515	ECA1CM222	E 2200UF, 16V	1	
C516	ECJ2XB1C474K	C 0.47UF, K, 16V	1	
C517	F2D1E1010001	E 10UF, 25V	1	
C518,19	FLJ1C1050011	C 1UF, Z, 50V	2	
C523	ECJ3YB1E105K	C 1UF, K, 25V	1	
C525	F2A1E8210012	E 820UF, 25V	1	
C526	ECJ2XB1H104K	C 0.1UF, K, 50V	1	
C527	ECJ3YB1E475K	C 4.7UF, K, 25V	1	
C528,29	FLJ1C1050011	C 1UF, Z, 50V	2	
C530	ECJ2VB1H333K	C 0.033UF, K, 50V	1	
C533	ECJ2XB1H103K	C 0.01UF, K, 50V	1	
C534	ECJ2XC1H471J	C 470PF, J, 50V	1	
C546,47	ECJ2VB1H333K	C 0.033UF, K, 50V	2	
C548	ECJ2XB1H104K	C 0.1UF, K, 50V	1	
C551-53	ECJ2XB1H104K	C 0.1UF, K, 50V	3	
C554	FLJ1C1050011	C 1UF, Z, 50V	1	
C555	ECA2AM101	E 100UF, 100V	1	
C556	F2A1C1520009	E 1500UF, 16V	1	
C557	F2A1E1520089	E 1500UF, 25V	1	
C562	ECJ2XB1H104K	C 0.1UF, K, 50V	1	
C572	ECJ2XB1H104K	C 0.1UF, K, 50V	1	
C574	ECJ2XB1H104K	C 0.1UF, K, 50V	1	
C577	ECA2AM330	E 33UF, 100V	1	
C581	ECJ2XB1H223K	C 0.022UF, K, 50V	1	
C583	ECJ2XB1H102K	C 1000PF, K, 50V	1	
C584	ECJ2XB1H223K	C 0.022UF, K, 50V	1	
C587	ECJ2XB1H103K	C 0.01UF, K, 50V	1	
C591,92	FLK2J1530002	C 0.15PF, J, 630V	2	
C601	ECJ2XB1H103K	C 0.01UF, K, 50V	1	
C603	ECA1HM470	E 47UF, 50V	1	
C604,05	F2A2C1510004	E 150UF, 160V	2	
C606,07	FLJ1C1050011	C 1UF, Z, 50V	2	
C608,09	ECJ2XB1H103K	C 0.01UF, K, 50V	2	
C610	FLJ1C1050011	C 1UF, Z, 50V	1	
C611	F2B2D1720001	E 1700UF,@ 200V	1	
C612	ECJ2XB1H103K	C 0.01UF, K, 50V	1	
C615	F2B2D1720001	E 1700UF,@ 200V	1	
C616	FLA3A102A040	C 1000PF, J, 1KV	1	
C619	ECJ2XB1H104K	C 0.1UF, K, 50V	1	
C620	ECJ2XB1H103K	C 0.01UF, K, 50V	1	
C623	ECA1HM100	E 10UF, 50V	1	
C624	ECJ3YB1E105K	C 1UF, K, 25V	1	
C626	ECJ2XB1H103K	C 0.01UF, K, 50V	1	
C629	ECJ2XB1H103K	C 0.01UF, K, 50V	1	
C631	ECJ2XB1H103K	C 0.01UF, K, 50V	1	
C633	ECJ2XB1H103K	C 0.01UF, K, 50V	1	
C634	ECJ2XB1H102K	C 1000PF, K, 50V	1	
C635	ECJ2XB1H103K	C 0.01UF, K, 50V	1	
C636	FLJ1C1050011	C 1UF, Z, 50V	1	
C637	ECJ2XB1H104K	C 0.1UF, K, 50V	1	
C638,39	ECJ2XB1H103K	C 0.01UF, K, 50V	2	
C640	ECJ2XB1H104K	C 0.1UF, K, 50V	1	
C641	ECJ2XB1H102K	C 1000PF, K, 50V	1	

Ref. No.	Part No.	Part Name & Description	Pcs	Remarks
C643	ECA1HM470	E 47UF, 50V	1	
C646,47	ECJ2XC1H331J	C 330PF, J, 50V	2	
D401	BOFBAT000006	DIODE	1	
D402	MA4240MTA	ZENER DIODE	1	
D403	MA4051NM	ZENER DIODE	1	
D404	BOEBKT000007	DIODE	1	
D406	MA4200M	ZENER DIODE	1	
D407	MA188	DIODE	1	
D410	MA111	DIODE	1	
D411	BOBB17000010	DIODE	1	
D412-14	MA111	DIODE	3	
D415	BOJAME000081	DIODE	1	
D417	RU30A	DIODE	1	
D418	MA4082M	ZENER DIODE	1	
D419,20	RU30A	DIODE	2	
D423	MA188	DIODE	1	
D425	MA188	DIODE	1	
D427-29	ERA15-10	DIODE	3	
D431	BOJCD000002	DIODE	1	
D433	MA4150M	ZENER DIODE	1	
D434	MA4082M	ZENER DIODE	1	
D435	ERA15-10	DIODE	1	
D436	MA188	DIODE	1	
D437	MA4082M	ZENER DIODE	1	
D438	MA4150M	ZENER DIODE	1	
D439	MA4130HTA	ZENER DIODE	1	
D440	MA4300M	ZENER DIODE	1	
D441	BOHAMM000122	DIODE	1	
D442	MA4075M	ZENER DIODE	1	
D443	MA4240MTA	ZENER DIODE	1	
D444	BOHAMM000122	DIODE	1	
D445	MA165	DIODE	1	
D459	MA188	DIODE	1	
D461	MA4082M	ZENER DIODE	1	
D462	MA142WKTX	ZENER DIODE	1	
D463-67	ERA15-10	DIODE	5	
D501	BOHANR000016	DIODE	1	
D503,04	MA165	DIODE	2	
D505	BOJAME000081	DIODE	1	
D506	MA4051NM	ZENER DIODE	1	
D507,08	MA4150M	ZENER DIODE	2	
D509,10	BOHANM000028	DIODE	2	
D511	BOHBSM000043	DIODE	1	
D514	MA4062M	ZENER DIODE	1	
D521	BOHAMP000067	DIODE	1	
D528,29	MA153	DIODE	2	
D530	MA4100M	ZENER DIODE	1	
D531,32	BOHAPR000012	DIODE	2	
D534	BOJBSG000026	DIODE	1	
D535	MA188	DIODE	1	
D536	BOJBSL000013	DIODE	1	
D538	MA3051M	ZENER DIODE	1	
D539	BOHRBP000007	DIODE	1	
D542	MA4180HTA	ZENER DIODE	1	
D543	MA4150M	ZENER DIODE	1	
D544,45	MA4180HTA	ZENER DIODE	2	
D549	MA4075M	ZENER DIODE	1	
D551	MA4130M	ZENER DIODE	1	
D552	MA4082M	ZENER DIODE	1	
D555	MA4075M	ZENER DIODE	1	
D559	MA4075M	ZENER DIODE	1	
D563	MA4062M	ZENER DIODE	1	
D564	MA7200ATA	ZENER DIODE	1	PAVCCZ
D565	MA4160M	ZENER DIODE	1	
D566	BOHAMM000122	DIODE	1	
D568	MA3J142D0L	DIODE	1	
D569-71	MA4300M	ZENER DIODE	3	
D572	MA188	DIODE	1	
D574	MA111	DIODE	1	
D575	MA188	DIODE	1	
D579	MA111	DIODE	1	
D582	MAZ705600F	ZENER DIODE	1	



Ref. No.	Part No.	Part Name & Description	Pcs	Remarks
D584	MA4075M	ZENER DIODE	1	
D586	B0HAMP000067	DIODE	1	
D587	MA188	DIODE	1	
IC401	CNC1S171R	IC	1	△
IC402	C0BBAA000038	IC	1	
IC403,04	CNC1S171R	IC	2	△
IC406	C0DAZZZ00021	IC	1	
IC407	C0DBAZZ00111	IC	1	
IC408,09	CNC1S171R	IC	2	△
IC411	C0BBAA000038	IC	1	
IC412	CNC1S171R	IC	1	△
IC501	C2ABDD000064	IC	1	
IC502	C0EBH0000190	IC	1	
IC503,04	C0DAEMB00004	IC	2	
IC505	CNC1S171R	IC	1	
IC506	C0ZBZ0000878	IC	1	
IC507	C0CBABE00023	IC	1	
IC509	C0DABZZ00010	IC	1	
IC512	C0DAEMB00004	IC	1	
IC520	C9ZB00000496	IC	1	
J501,02	LSJW0001	CABLE	2	
L402	EXCELSA24	BEAD CHOKE	1	
L403	EXCELSA35	BEAD CHOKE	1	
L404,05	G0B123K00003	INDUCTION COIL	2	△
L501	EXCELSA35	BEAD CHOKE	1	
L502	TALL08N102JA	INDUCTION COIL	1	
L506	EXCELDR25C	BEAD CHOKE	1	
L509	J0JBC0000032	CHIP INDUCTOR	1	
L510	EXCELDR25C	BEAD CHOKE	1	
P2	K1KA06AA0479	6P CONNECTOR	1	
P5	K1KA11AA0183	11P CONNECTOR	1	
P9	K1KA03AA00537	3P CONNECTOR	1	
P10	K1KA06AA0182	6P CONNECTOR	1	
P11	K1KA07AA0192	7P CONNECTOR	1	
P12	K1KA05AA0192	5P CONNECTOR	1	
P23	K1KA03AA0182	3P CONNECTOR	1	
P25	K1KA20AA0178	20P CONNECTOR	1	
P30	K1KA05AA0182	5P CONNECTOR	1	
PR401	K5Y502BA0001	FUSE	1	
PR402	K5G202B00015	FUSE	1	
PR501	K5H502Z00003	FUSE	1	
PR503	K5H502Z00003	FUSE	1	
PR509	K5H501Z00005	FUSE	1	
PR601	K5G312B00012	FUSE	1	
Q401	B1CHND000004	TRANSISTOR	1	
Q403	B1CBGD000001	TRANSISTOR	1	
Q404	B1BCCF000022	TRANSISTOR	1	
Q406	B1DEHQ000007	TRANSISTOR	1	
Q407	XN4601	TRANSISTOR	1	
Q408,09	B1CHND000004	TRANSISTOR	2	
Q412,13	B1DAGQ000013	TRANSISTOR	2	
Q414	B1ABCF000134	TRANSISTOR	1	
Q415	2SB1218ARL	TRANSISTOR	1	
Q417	B1CHND000004	TRANSISTOR	1	
Q418	2SD1819A	TRANSISTOR	1	
Q420-22	2SD1819A	TRANSISTOR	3	
Q423,24	B1CBGD000001	TRANSISTOR	2	
Q430	B1CEJQ000002	TRANSISTOR	1	
Q431	B1DEGS000001	TRANSISTOR	1	
Q432	B1CEJQ000002	TRANSISTOR	1	
Q433	B1CBGD000001	TRANSISTOR	1	
Q434	B1CEJQ000002	TRANSISTOR	1	
Q435	B1CBGD000001	TRANSISTOR	1	
Q436	B1CEJQ000002	TRANSISTOR	1	
Q438	B1CBGD000001	TRANSISTOR	1	

Ref. No.	Part No.	Part Name & Description	Pcs	Remarks
Q439	B1CHND000004	TRANSISTOR	1	
Q440,41	2SD1819A	TRANSISTOR	2	
Q501,02	2SD1820A	TRANSISTOR	2	
Q503	XN0440100L	TRANSISTOR	1	
Q505	B1CEJQ000002	TRANSISTOR	1	
Q506	B1CHND000004	TRANSISTOR	1	
Q507	B1DAGQ000013	TRANSISTOR	1	
Q508	XN0450100L	TRANSISTOR	1	
Q509	XN0440100L	TRANSISTOR	1	
Q510	B1DHBD000004	TRANSISTOR	1	
Q511	B1CFND000005	TRANSISTOR	1	
Q512	B1CBGD000001	TRANSISTOR	1	
Q516	B1DHBD000004	TRANSISTOR	1	
Q517	B1HFCFA00021	TRANSISTOR	1	
Q518	B1DEHL000018	TRANSISTOR	1	
Q519	B1DEHF000002	TRANSISTOR	1	
Q520	B1HFCFA00021	TRANSISTOR	1	
Q525	B1CBGD000001	TRANSISTOR	1	
Q527	B1DEHL000018	TRANSISTOR	1	
Q530	B1CBGD000001	TRANSISTOR	1	
Q535	2SD1819A	TRANSISTOR	1	
Q536-38	B1CFQD000001	TRANSISTOR	3	
Q541	B1CBGD000001	TRANSISTOR	1	
Q544	XN0440100L	TRANSISTOR	1	
Q550	B1CHGD000006	TRANSISTOR	1	
Q551,52	B1CBGD000001	TRANSISTOR	2	
Q553	2SD1819A	TRANSISTOR	1	
Q554	B1DHBD000004	TRANSISTOR	1	
Q557	2SD1819A	TRANSISTOR	1	
Q558	B1CHHG000002	TRANSISTOR	1	
Q559	2SD1819A	TRANSISTOR	1	
Q560	B1CHHG000002	TRANSISTOR	1	
Q561,62	2SD1819A	TRANSISTOR	2	
Q564,65	2SD1819A	TRANSISTOR	2	
Q567	B1CBGD000001	TRANSISTOR	1	
R401	ERJ6GEYJ472	M 4.7KOHM, J, 1/10W	1	
R402	ERJ6EKF6803	M 680KOHM, 1/10W	1	
R403	ERJ6ENF4702	M 47KOHM, 1/10W	1	
R404	ERJ6GEYJ104	M 100KOHM, J, 1/10W	1	
R405	ERJ6EKF6803	M 680KOHM, 1/10W	1	
R407	ERJ6GEYJ103	M 10KOHM, J, 1/10W	1	
R408	ERJ6GEYJ104	M 100KOHM, J, 1/10W	1	
R410,11	D1F5100E0002	F 3.3 OHM, 5W	2	△
R412	ERJ6GEYJ472	M 4.7KOHM, J, 1/10W	1	
R413	D1F5100E0002	F 3.3 OHM, 5W	1	△
R414	ERJ8GEYJ153	M 15KOHM, J, 1/8W	1	
R415	ERJ6GEYJ103	M 10KOHM, J, 1/10W	1	
R416	ERJ6GEYJ332	M 3.3KOHM, J, 1/10W	1	
R417	ERJ6ENF4303	M 430KOHM, 1/10W	1	
R418	ERJ6GEYJ473	M 47KOHM, J, 1/10W	1	
R419	ERJ6GEYJ104	M 100KOHM, J, 1/10W	1	
R420	ERJ6GEYJ474	M 470KOHM, J, 1/10W	1	
R421	ERJ6GEYJ333	M 33KOHM, J, 1/10W	1	
R422	ERJ8GEYJ181	M 180 OHM, J, 1/8W	1	
R423	ERJ6GEYJ154	M 150KOHM, J, 1/10W	1	
R424	ERJ6GEYJ223	M 22KOHM, J, 1/10W	1	
R425	ERJ6GEYJ332	M 3.3KOHM, J, 1/10W	1	
R426	ERJ6GEYJ103	M 10KOHM, J, 1/10W	1	
R427	ERJ6GEYJ334	M 330KOHM, J, 1/10W	1	
R428	ERJ6GEYJ103	M 10KOHM, J, 1/10W	1	
R429	ERJ8GEYJ103	M 10KOHM, J, 1/8W	1	
R430	ERJ6ENF4303	M 430KOHM, 1/10W	1	
R431	ERJ6GEYJ103	M 10KOHM, J, 1/10W	1	
R432	ERJ8GEYJ103	M 10KOHM, J, 1/8W	1	
R433	ERJ6ENF1202	M 12KOHM, 1/10W	1	
R435	ERJ6GEYJ103	M 10KOHM, J, 1/10W	1	
R436	ERJ8GEYJ153	M 15KOHM, J, 1/8W	1	
R437	ERJ6GEYJ183	M 18KOHM, J, 1/10W	1	
R438	ERJ6GEYJ331	M 330 OHM, J, 1/10W	1	
R439	ERG12SJ120	M 12 OHM, J, 1/2W	1	
R440	ERJ8GEYJ474	M 470KOHM, J, 1/8W	1	
R441,42	ERJ6EKF6803	M 680KOHM, 1/10W	2	



Ref. No.	Part No.	Part Name & Description	Pcs	Remarks
R628	EVMAASA00B33	CONTROL 3KOHMB	1	
R629	ERJ6GEYJ104	M 100KOHM, J, 1/10W	1	
R630	ERJ6GEYJ473	M 47KOHM, J, 1/10W	1	
R631	ERJ8GEYJ333	M 33KOHM, J, 1/8W	1	
R632	ERJ6GEYJ221	M 220 OHM, J, 1/10W	1	
R633	ERJ6GEYJ334	M 330KOHM, J, 1/10W	1	
R634	ERJ8RQFR68	M 0.68OHM, J, 1/8W	1	
R636	ERJ8ENF1503	M 15KOHM, 1/8W	1	
R637	ERJ8RQFR68	M 0.68OHM, J, 1/8W	1	
R640	ERJ6GEYJ103	M 10KOHM, J, 1/10W	1	
R641	ERJ6GEYJ473	M 47KOHM, J, 1/10W	1	
R642-44	ERJ8RQFR68	M 0.68OHM, J, 1/8W	3	
R645	ERJ6GEYJ473	M 47KOHM, J, 1/10W	1	
R646, 47	ERJ6GEYJ223	M 22KOHM, J, 1/10W	2	
R648	ERJ8ENF1503	M 15KOHM, 1/8W	1	
R649	ERJ6GEYJ223	M 22KOHM, J, 1/10W	1	
R650	ERJ6GEYJ103	M 10KOHM, J, 1/10W	1	
R651	ERJ6GEYJ473	M 47KOHM, J, 1/10W	1	
R652	ERJ6ENF9101	M 9.1KOHM, 1/10W	1	
R653	ERJ6GEYJ103	M 10KOHM, J, 1/10W	1	
R654	ERJ8GEYJ101	M 100 OHM, J, 1/8W	1	
R655	ERJ8RQJR39	M0.39 OHM, 1/8W	1	
R656	ERJ6ENF4702	M 47KOHM, 1/10W	1	
R657	ERJ6GEYJ102	M 1KOHM, J, 1/10W	1	
R658	ERJ6GEYJ105	M 1MOHM, J, 1/10W	1	
R659	ERJ6ENF3002	M 30KOHM, 1/10W	1	
R660	ERJ6ENF1202	M 12KOHM, 1/10W	1	
R661	EVMAASA00B53	CONTROL 5KOHMB	1	
R662	ERJ6ENF1303	M 130KOHM, 1/10W	1	
R663	ERJ3GEYJ2R2	M 2.2 OHM, J, 1/16W	1	
R664	ERJ6ENF9101	M 9.1KOHM, 1/10W	1	
R665	EVMAASA00B23	CONTROL 2KOHMB	1	
R666	ERJ6GEYJ102	M 1KOHM, J, 1/10W	1	
R667, 68	ERJ8GEY0R00	M 0 OHM, 1/8W	2	
R669	ERJ6ENF1303	M 130KOHM, 1/10W	1	
R670	ERJ6GEYJ102	M 1KOHM, J, 1/10W	1	
R671	EVMAASA00B14	CONTROL 10KOHMB	1	
R674	ERJ8GEYJ333	M 33KOHM, J, 1/8W	1	
R675	ERJ3GEYJ2R2	M 2.2 OHM, J, 1/16W	1	
R676	ERJ8GEYJ333	M 33KOHM, J, 1/8W	1	
R677	ERJ6GEYJ224	M 220KOHM, J, 1/10W	1	
R678	ERJ6GEYJ223	M 22KOHM, J, 1/10W	1	
R679, 80	ERJ8RQJR39	M0.39 OHM, 1/8W	2	
R681	ERJ6ENF1500	M 150 OHM, 1/10W	1	
R682	ERJ6GEYJ222	M 2.2KOHM, J, 1/10W	1	
R683	ERJ6ENF1500	M 150 OHM, 1/10W	1	
R684	ERJ6GEYJ223	M 22KOHM, J, 1/10W	1	
R685	ERJ6GEYJ104	M 100KOHM, J, 1/10W	1	
R686	ERJ6GEYJ102	M 1KOHM, J, 1/10W	1	
R687	ERJ6GEYJ103	M 10KOHM, J, 1/10W	1	
R688	ERJ6GEYJ223	M 22KOHM, J, 1/10W	1	
R689	ERJ6GEYJ102	M 1KOHM, J, 1/10W	1	
R690	ERJ6GEYJ103	M 10KOHM, J, 1/10W	1	
R691	ERJ6GEYJ104	M 100KOHM, J, 1/10W	1	
R692, 93	ERJ6GEYJ472	M 4.7KOHM, J, 1/10W	2	
R694	ERJ6GEYJ104	M 100KOHM, J, 1/10W	1	
R695	ERJ6ENF1602	M 16KOHM, 1/10W	1	
R696	ERJ8GEYJ100	M 10 OHM, J, 1/8W	1	
R697	ERJ6GEYJ104	M 100KOHM, J, 1/10W	1	
R698	ERJ8RQJR39	M0.39 OHM, 1/8W	1	
R702	ERJ6GEYJ101	M 100 OHM, J, 1/10W	1	
R703, 04	ERG2SJ101	M 100 OHM, J, 2W	2	
R706	ERJ6GEYJ103	M 10KOHM, J, 1/10W	1	
R707	ERJ6GEYJ102	M 1KOHM, J, 1/10W	1	
R708	ERJ6GEYJ104	M 100KOHM, J, 1/10W	1	
R712	ERJ6GEY0R00	M 0 OHM, 1/10W	1	
R713	ERJ8GEYJ472	M 4.7KOHM, J, 1/8W	1	
R901	ERJ6ENF2702	M 27KOHM, 1/10W	1	
R903-06	ERJ8ENF1203	M 12KOHM, 1/8W	4	
R907	ERJ6ENF2702	M 27KOHM, 1/10W	1	
R908	ERJ6GEYJ335	M 3.3MOHM, J, 1/10W	1	
R909-11	ERJ6GEYJ106	M 10MOHM, J, 1/10W	3	
R912	ERJ6GEYJ103	M 10KOHM, J, 1/10W	1	

Ref. No.	Part No.	Part Name & Description	Pcs	Remarks
R913, 14	ERJ6GEYJ102	M 1KOHM, J, 1/10W	2	
R915	ERJ6GEYJ103	M 10KOHM, J, 1/10W	1	
R916	ERJ6GEY0R00	M 0 OHM, 1/10W	1	
R917	ERJ6GEYJ334	M 330KOHM, J, 1/10W	1	
R918	ERJ6GEYJ103	M 10KOHM, J, 1/10W	1	
R920	ERJ6GEYJ104	M 100KOHM, J, 1/10W	1	
R921	ERJ6RBD3092	M30.9KOHM, F, 1/10W	1	
R922	ERJ6GEYJ101	M 100 OHM, J, 1/10W	1	
R925	ERJ6GEYJ335	M 3.3MOHM, J, 1/10W	1	
R926, 27	ERG2DJW224E	M 220KOHM, J, 2W	2	
R928-31	ERJ8ENF1203	M 12KOHM, 1/8W	4	
R932	ERJ6GEYJ105	M 1MOHM, J, 1/10W	1	
RL402	TSEH8011	RELAY	1	△
RL403	TSE10801	RELAY	1	△
S401, 02	J0LT00000009	SWITCH	2	△
T401	G4D4A0000107	SWITCHING TRANSFORMER	1	
T402	G4D1A0000098	SWITCHING TRANSFORMER	1	△
T404	G4D4A0000109	SWITCHING TRANSFORMER	1	△
T407	ETQ11K5AZ	CHOKE TRANS	1	△
T410	G4D2A0000229	SWITCHING TRANSFORMER	1	△
T601	G4D2A0000227	SWITCHING TRANSFORMER	1	
W2	ERDS2TJ391	C 390 OHM, J, 1/4W	1	
X501	H2B400400021	CRYSTAL	1	
Z1, 22	K4ZZ01000206	TERMINAL	2	
Z410	TMM7464-2	CLAMPER	1	
Z411	TMME190	CLAMPER	1	
Z412	TMM7443-3	CLAMPER	1	
Z413	TMM7464-2	CLAMPER	1	
Z414	TMME190	CLAMPER	1	
Z420	TMM23417	CLAMPER	1	
Z450-53	EYF52BCY	FUSE HOLDER	4	
ZN401, 02	D4EAD6210001	VARISTOR	2	△
ZN403	D4EA8511A001	VARISTOR	1	△
ZN404	D4EAB681A011	VARISTOR	1	△