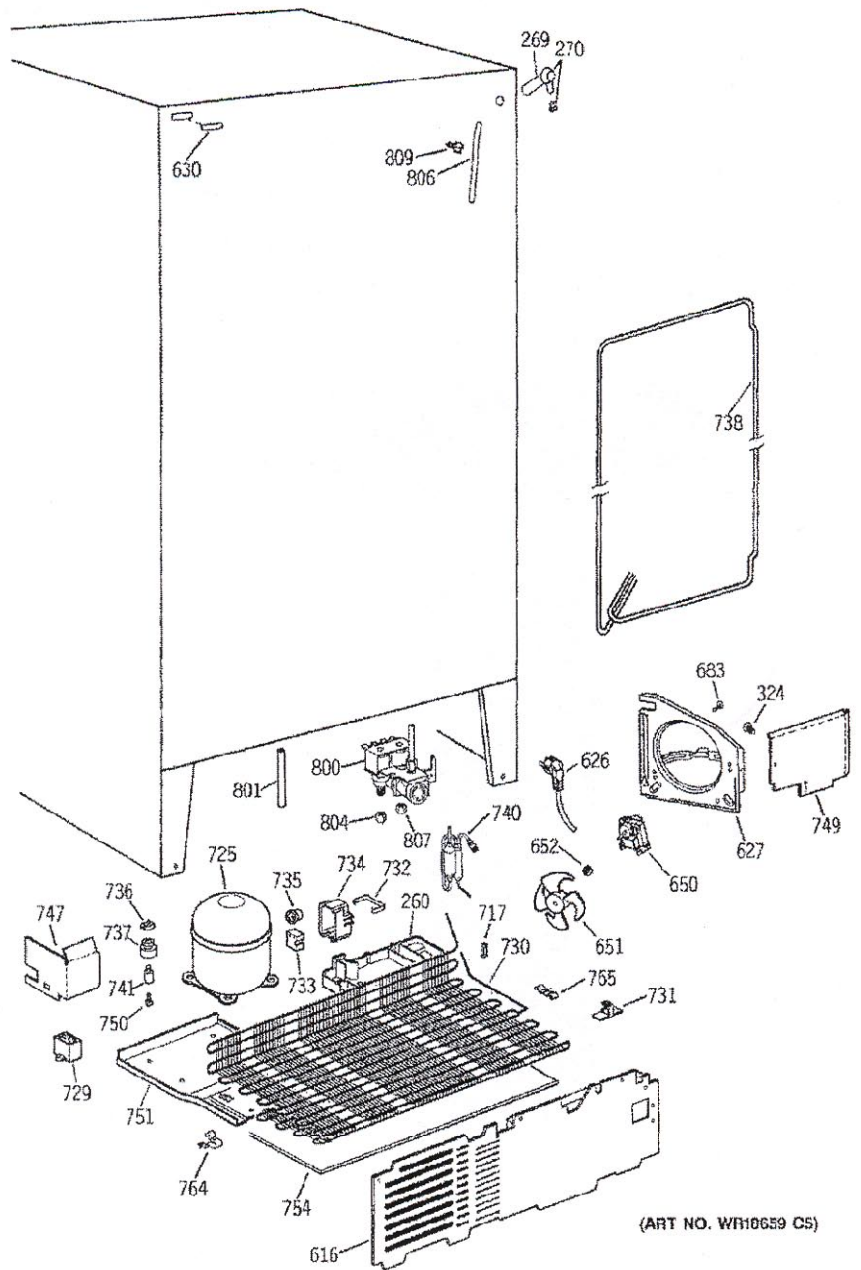


Réfrigérateur

TFZ20JRBKWW

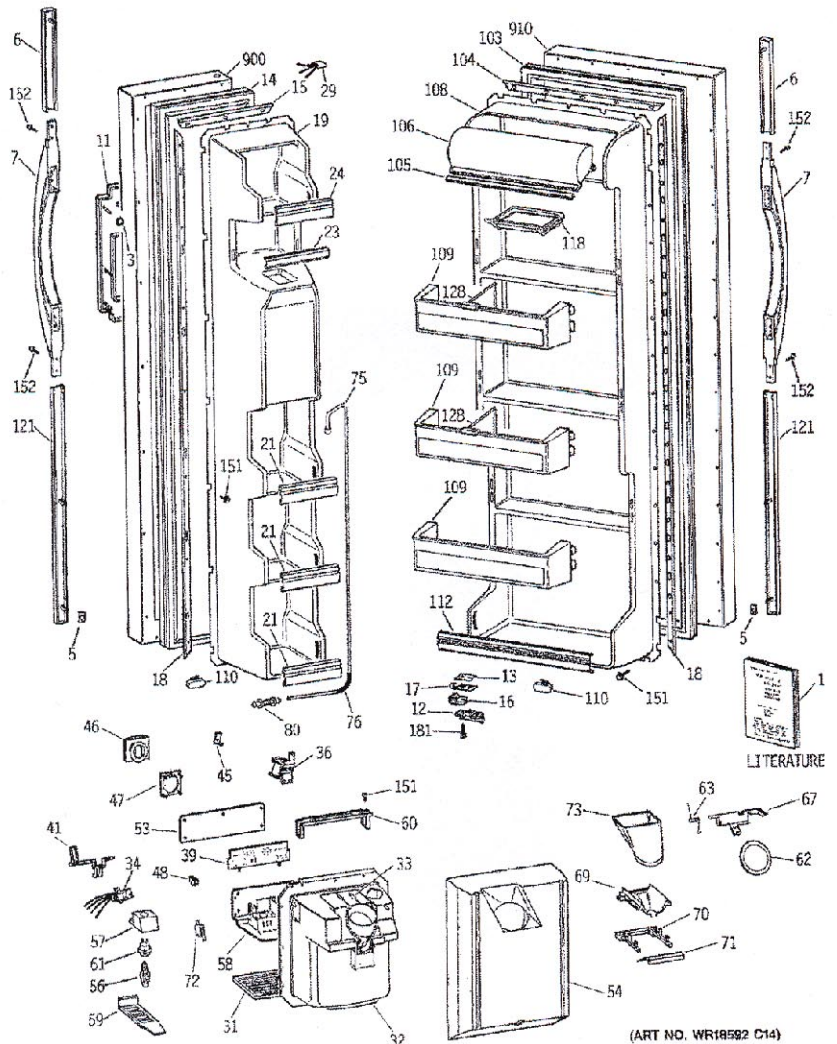


Item	Part No	Description
0260	WR32X1427	PAN WATER DISPOSAL
0269	WR02X7927	TUBE WATER FILL
0270	WR02X4754	CLAMP-FILL T
0270	WR02X8474	GROMMET WATER FILL
0324	WR02X7069	PLUG BUTTON LG WH
0616	WR82X10018	COVER ACCESS ASM
0626	WR23X0487	CORD POWER ASM
0627	WR17X10509	HOUSING COND FAN
0630	WR02X4097	PLUG BUTTON WH
0650	WR60X10025	MTR COND FAN 230V
0651	WR60X10034	BLADE COND FAN ASM
0652	WR02X10323	RING COMPRESSION
0683	WR01X10127	SCR 8-32 TT PT 5/8 NS
0717	WR02X10335	CLIP COND
0725	WR85X0506	COMP REPL KIT
0729	WR62X0102	CAPACITOR
0730	WR84X0188	CONDENSER ASM
0731	WR02X10069	CLIP CONDENSER
0732	WR02X7226	CLAMP-COVER
0733	WR07X0263	RELAY PTCR
0734	WR02X7834	COVER RELAY
0735	WR08X0198	OVERLOAD
0736	WR02X8203	CLIP COMPRESSOR MOUNT
0737	WR02X10099	GROMMET
0738	WR02X7064	CLIP COND LOOP
0738	WR84X0169	TUBE COND LOOP ASM
0740	WR86X0096	DRYER & FILTER ASS'Y
0741	WR01X1779	STUD MTG COMPR
0747	WR17X10427	BAFFLE SIDE ASM
0749	WR17X3988	BAFFLE SIDE DISCH ASM
0750	WR01X1786	SCREW 10-32 TR T 1/2
0751	WR17X10337	PLATE COMP MTG ASM
0754	WR82X10059	FLOOR
0764	WR02X9000	CLIP, CONDENSER MOUNT
0765	WR01X1972	CLIP COND
0800	WR57X0108	WATER VALVE ASM
0801	WR02X8931	SLEEVE WATER LINE
0804	WR57X0057	NUT SLEEVE 1/4
0806	WR17X3456	WATER LINE
0807	WR02X4046	INSERT 5/16
0807	WR02X8545	NUT & UNION ASM
0809	WR01X1936	FASTENER WATER TUBE

(ART NO. WR10659 C5)

Réfrigérateur

TFZ20JRBKWW



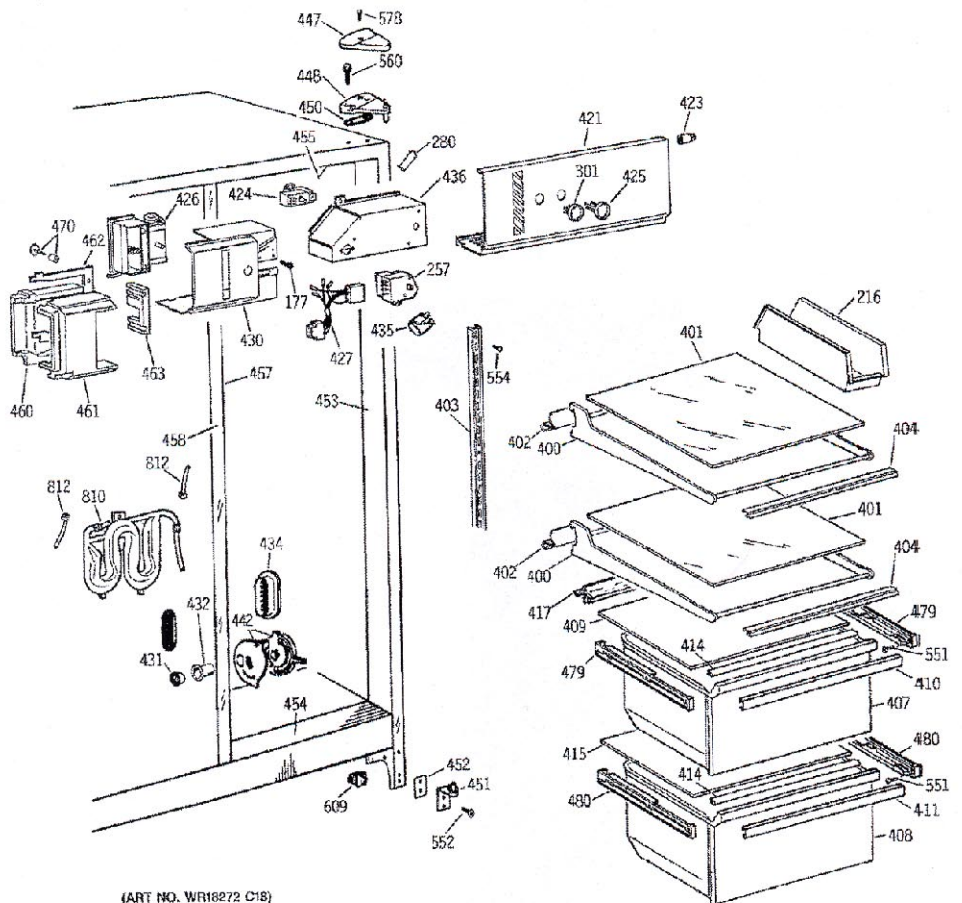
Item	Part No	Description
0001	49-60065	PM GUIDE OWNERS
0001	31-45907	PM MINI MANUAL WIRING
0003	WR02X8669	FASTENER TUBULAR
0005	WR02X10431	DART CLIP
0006	WR12X10104	TAIL HANDLE SXS WH
0007	WR12X10332	HANDLE SXS WH
0011	WR38X10109	TRIM RECESS DISP WH
0012	WR02X9300	STOP DOOR WH
0013	WR02X7490	SHIM CAM DOOR STOP
0014	WR24X0527	GASKET DOOR FZ WH
0015	WR17X3119	RETAINER STRIP
0016	WR02X10140	HINGE CAM RISER
0017	WR02X7491	SHIM RISER CAM .031
0017	WR02X9147	SHIM RISER CAM .093
0018	WR17X1169	RETAINER STRIP
0019	WR77X0600	DOOR INNER FZ
0021	WR17X4348	FRONT DOOR SHELF
0023	WR17X4349	FRONT DOOR SHELF
0024	WR17X4350	FRONT DOOR SHELF
0029	WR23X10122	HARNES DR HINGE FZ
0031	WR17X4153	GRILLE RECESS WH
0032	WR17X10205	RECESS DISP WH
0033	WR51X0474	HEATER RECESS
0034	WR23X0458	HARNES LIGHT SW.
0036	WR62X0093	SOLENOID ASM
0039	WR55X0078	MODULE TIME DELAY
0041	WR17X3493	CRADLE ACTUATOR
0045	WR02X8818	RETAINER RECESS DOOR
0046	WR02X8704	PAD ACTUATOR WH
0047	WR02X8681	SUPPORT ACTUATOR PAD BK
0048	WR02X8696	KNOB RECESS DISP WH
0053	WR17X10291	NAMEPLATE RECESS WH
0054	WR17X3927	INSULATION RECESS
0056	10S6/10BB	LAMP 10W 230V E12 BASE
0057	WR02X8725	REFLECTOR LAMP SOCKET
0058	WR17X3455	SHIELD RECESS DISP WH
0059	WR02X9132	COVER LAMP
0060	WR02X8674	COVER ELECT
0061	WR02X9561	SOCKET LAMP E12
0062	WR17X3093	DOOR RECESS ASM
0063	WR02X8663	SPRING RECESS DOOR
0065	WZ4X230D	SCREW-PKG 12
0067	WR17X3089	CRANK DOOR RECESS
0069	WR17X3095	FUNNEL RECESS SHIELD BK
0070	WR02X8954	SUPT. FUNNEL GUARD WH
0071	WR17X10282	DEFLECTOR ICE BK
0072	WR23X0366	SWITCH CRADLE ACTUATOR
0073	WR17X3125	CHUTE ICE
0075	WR17X3614	GROMMET TUBE ASM
0076	WR02X8933	SLEEVE WATER LINE
0080	WR02X8545	NUT & UNION ASM
0087	WZ4X241D	SCREW-PKG 12

0098	WR01K0001	SCREW 8-36 T IHW 3/8 SN
0103	WR24X0528	GASKET DOOR FF WH
0104	WR17X3120	RETAINER STRIP
0105	WR38X2171	TRIM DAIRY DOOR
0106	WR22X0438	DAIRY DOOR
0108	WR77X0598	DOOR INNER FF
0109	WR71X2373	DOOR MODULE
0109	WR71X2620	MODULE ASM
0110	WR02X8989	SUPPORT TWIST BUMPER
0112	WR17X10465	FRONT DOOR SHELF
0118	WR19X5003	BUTTER DISH
0121	WR12X10106	TAIL HANDLE SXS WH
0128	WR02X7971	SNUGGER MODULE
0134	WR01X10019	SCR 6-10 PL FLP 1/2 S
0151	WR01X1554	SCREW 8-18 AB IHXW S
0152	WR01X10038	SCR 8-18 AB FLTR.5/8 S
0153	WR1X1505D	SCREW-PKG 12
0175	WR01X10035	SCR 8-18 AB IHW 5/8 S
0180	WR01X5593	SCREW
0181	WR01X10161	SCR 10-32 GX IHXW 13/16S
0276	WR1X1328D	GROMMET 12 PK
0303	WD01X1440	HOUSING TERMINAL
0617	WR02X8349	GROMMET SCR CLOSED
0676	WD02X5166	SCR 10-16X1/2 AB HXW S
0690	WZ5X158D	SCREW-PKG 12
0758	WD2X323D	SCREW-PKG 12
0900	WR78X10191	DOOR FOAM ASM FZ WH
0910	WR78X10187	DOOR FOAM ASM FF WH
1458	WB17X5062	TERMINAL BLK ASM (12PIN)
1506	WB17X5059	HOUSING SOCKET PKG 9 PIN

(ART NO. WR18592 C14)

Réfrigérateur

TFZ20JRBKWW



(ART NO. WR16272 C18)

Item	Part No	Description
0177	WZ4X338D	SCREW-PKG 12
0216	WR32X1575	BUCKET UTILITY CLR
0257	WR09X10032	CONTROL DEFROST MODULE
0257	WR02X10159	FASTENER BOARD
0280	WR02X8518	CAP CORNER OC (WH)
0301	WR02X9215	KNOB DAMP CONT
0400	WR71X2290	SHELF CANT
0401	WR32X1515	SHELF CANT GLASS
0402	WR38X2170	REFLECTOR GLASS SHELF
0403	WR72X0255	TRACK CANT SHELF
0404	WR38X2172	TRIM SHELF GLASS
0407	WR32X1178	PAN UPPER
0408	WR32X1177	PAN LOWER
0409	WR32X1514	COVER PAN GLASS
0410	WR17X4068	HANDLE VEG PAN
0411	WR17X4067	HANDLE VEG PAN
0414	WR14X0451	GKT PN CV FF
0415	WR32X1105	COVER PAN GLASS
0417	WR14X10031	GASKET SHIELD LOWER
0421	WR17X4070	SHIELD LIGHT FF
0423	WR02X10050	GROMMET SUPPT LT SHIELD
0424	WR09X0530	CONTROL TEMP FRZ
0424	WR02X8914	SLEEVE VINYL
0425	WR02X9216	KNOB FRZ CONTROL
0426	WR09X0568	DAMPER CONTROL
0427	WR23X10083	HARNESS CONTROL MOD
0430	WR17X3416	HOUSING CONTROL
0431	WR02X9299	CAP MULLION DUCT
0432	WR02X8654	DUCT MULLION
0434	WR02X9431	DUCT AIR RETURN ASM FF
0435	WR23X0442	LAMP 40W 240 V
0435	WR02X9014	SOCKET & TERMINAL ASM
0436	WR02X10179	BRACKET CONTROL MOD
0442	WR02X10042	CONTROL MEAT PAN ASM
0447	WR02X8262	HINGE COVER WH
0448	WR13X10054	HINGE TOP ASM FF
0450	WR02X4194	SHIM HINGE TOP
0451	WR13X10020	HINGE BTM PIN & CAM ASM
0452	WR02X9443	SHIM HINGE
0453	WR40X1757	BREAKER STRIP R/S FF
0454	WR40X1758	BREAKER STRIP BTM FF
0455	WR40X1759	BREAKER STRIP TOP FF
0457	WR40X1748	BREAKER STRIP L/S FF
0458	WR02X9376	BRACKET MULLION TOP
0458	WR02X10334	CLIP MULLION BTM
0458	WR40X1749	MULLION WH
0460	WR02X8911	DUCT AIR REAR
0461	WR02X8910	DUCT AIR FRONT
0461	WZ06X0136	SCR 8-18 AB HXW 1/2 S
0462	WR14X0442	GASKET AIR DUCT
0463	WR82X0338	INSULATION BELLOWS
0470	WR01X1928	SCREW
0470	WR01X1929	SPACER SCREW
0479	WR72X10010	SLIDE PAN UPPER LH
0479	WR72X10009	SLIDE PAN UPPER RH
0480	WR72X10008	SLIDE PAN LOWER LH
0480	WR72X10007	SLIDE PAN LOWER RH
0551	WZ4X244D	SCREW-PKG 12
0552	WR01X10034	SCR 12-24 TT IH S
0554	WR01X2141	SCREW 10-24 TR HXW I S
0560	WR01X2140	SCREW
0578	WZ2X464D	SCREW-PKG 12
0609	WR23X0193	SWITCH LIGHT WH
0810	WR17X10428	WATER TANK DISP ASM
0812	WR17X2891	TUBE PLASTIC

Réfrigérateur

TFZ20JRBKWW

Item	Part No	Description			
0200	WR40X1741	BREAKER STRIP R/S FZ	0336	WR17X3739	BLADE STATIONARY DISP
0201	WR40X1742	BREAKER STRIP TOP FZ	0337	WR02X4138	SPACER
0202	WR40X1743	BREAKER STRIP BTM FZ	0338	WR02X4140	BLADE REST DISP
0206	WR71X1888	SHELF FZ	0339	WR02X4141	PIN SPIRAL
0207	WR02X4676	GROMMET SHELF	0340	WR17X3738	BLADE STATIONARY DISP
0208	WR02X4674	SUPPORT SHELF	0345	WR17X3728	PLATE FRONT DISP
0209	WR38X2151	TRIM SHELF WIRE	0346	WR17X4207	HELIX FRONT DISP
0211	WR21X0180	BASKET	0348	WR02X7783	BLADE IN DISP
0212	WR38X2149	TRIM HANDLE BASKET FZ	0349	WR02X4550	CUP DRIVE
0214	WR01X10064	CLIP EVAP COVER	0350	WR17X4341	AUGER HELIX DISP
0214	WR17X4066	COVER EVAP	0352	WR30X0257	BUCKET ICE DISP
0214	WR14X0456	GASKET COVER EVAP	0353	WR02X7905	BUCKET SEAL DISP
0224	WR02X8657	GROMMET DRAIN TUBE	0354	WR17X4345	BUCKET & AUGER ASM DISP
0225	WR01X5042	CLAMP HOSE	0359	WR71X10196	ICE BUCKET SHELF L/S
0225	WR02X10395	TUBE DRAIN	0359	WR71X10197	ICE BUCKET SHELF R/S
0228	WR85X0282	LOW SIDE ASM	0361	WR71X10195	COVER MOTOR & SOLENOID
0230	WR02X8671	BRACKET DEF HTR	0362	WR02X9166	BRACKET SHELF
0230	WR51X10021	HEATER HARNESS DEF ASM	0364	WR02X7310	SUPPORT TWIST
0231	WR17X3666	DEFLECTOR AIR	0365	WR02X4854	DRIVE AUGER DISPENSER
0231	WR01X2110	PLUG FASTENER	0366	WR1X1547D	J NUT-PKG 12
0231	WR01X1987	RIVET PLASTIC WH	0368	WR02X8459	BRACKET IM MTG
0236	WR02X4548	SUPPORT BASKET-REAR	0369	WR60X0201	MOTOR CRUSHER DISP
0237	WR02X7036	SUPPORT BASKET-FRONT	0375	WR23X0415	HARNESS MOTOR DISP
0240	WR50X0122	THERMOSTAT DEF	0377	WR02X7309	SADDLE SOLENOID
0247	WR17X3483	ORIFICE EVAP FAN	0378	WR62X0065	SOLENOID
0247	WR02X4845	SUPPORT ORIFICE	0379	WR17X1063	SHROUD SOLENOID
0248	WR02X3899	GASKET	0380	WR17X1064	PLUNGER SOLENOID
0251	WR02X2880	SUPPORT TWIST	0381	WR02X4257	PIN SPIRAL
0254	WR17X4275	EXTENSION SHIELD LIGHT	0382	WR02X4258	SPRING SOLENOID LINKAGE
0258	WR17X3484	SHIELD LIGHT FZ	0383	WR17X1065	COLLAR SOLENOID DISP
0264	WR02X3594	WHEEL ONLY MOBILITY	0384	WR17X1066	STIRRUP SOLENOID DISP
0265	WR02X3595	AXLE WHEEL FRONT	0385	WR02X4259	PIN SPIRAL
0268	WR23X0312	IM RECEPTACLE	0387	WR17X10333	COVER BUCKET ASM
0277	WR17X3117	RAIL MACH MTG FRT	0388	WR17X10273	DOOR ICE STORAGE DISP
0278	WR02X4858	WHEEL ASM FRT	0395	WR17X2904	SHIELD FAN
0279	WR17X10448	RAIL MACH MTG REAR	0435	WR23X0442	LAMP 40W 240 V
0288	WR74X0225	GRILLE BASE WH	0435	WR02X9014	SOCKET & TERMINAL ASM
0293	WR02X7080	CLIP-O. CASE-END CAP	0446	WR13X10065	HINGE TOP ASM FZ
0320	WR01X1585	NUT AUGER	0447	WR02X8262	HINGE COVER WH
0321	WR01X1990	RETAINER RING E	0450	WR02X4194	SHIM HINGE TOP
0325	WR17X2061	HOUSING CRUSHER DISP	0451	WR13X10020	HINGE BTM PIN & CAM ASM
0326	WR01X1991	WASHER	0452	WR02X9443	SHIM HINGE
0328	WR17X2059	DEFLECTOR ICE DISP	0456	WR40X1747	BREAKER STRIP L/S FZ
0328	WR02X9164	PIN DEFLECTOR DISP	0459	WR14X0479	BREAKER GASKET
0328	WR02X4561	SPRING ICE DEFLECTOR	0552	WR01X10034	SCR 12-24 TT IH S
0329	WR17X3737	WIRE ACTUATOR DISP	0560	WR01X2140	SCREW
0330	WR02X4145	SPRING	0564	WE2X186D	SCREW-PKG 12
0331	WR02X9165	RETAINER ACTUATOR WIRE	0578	WZ2X464D	SCREW-PKG 12
0332	WR17X3740	BLADES MOVING DISP	0608	WR23X0368	SWITCH LIGHT WH
0333	WR17X3741	BLADES MOVING DISP	0610	WR60X0199	FAN MOTOR
0334	WR17X3742	BLADES MOVING DISP	0612	WR02X9214	BRACKET EVAP FAN
0335	WR02X4139	SPACER	0613	WR60X0114	FAN BLADE EVAP MOTOR
			0613	WR02X3198	RING COMPRESSION
			0615	WR02X7391	GROMMET
			0820	WR30X0330	IM CRESCENT

Réfrigérateur

TFZ20JRBKWW

