

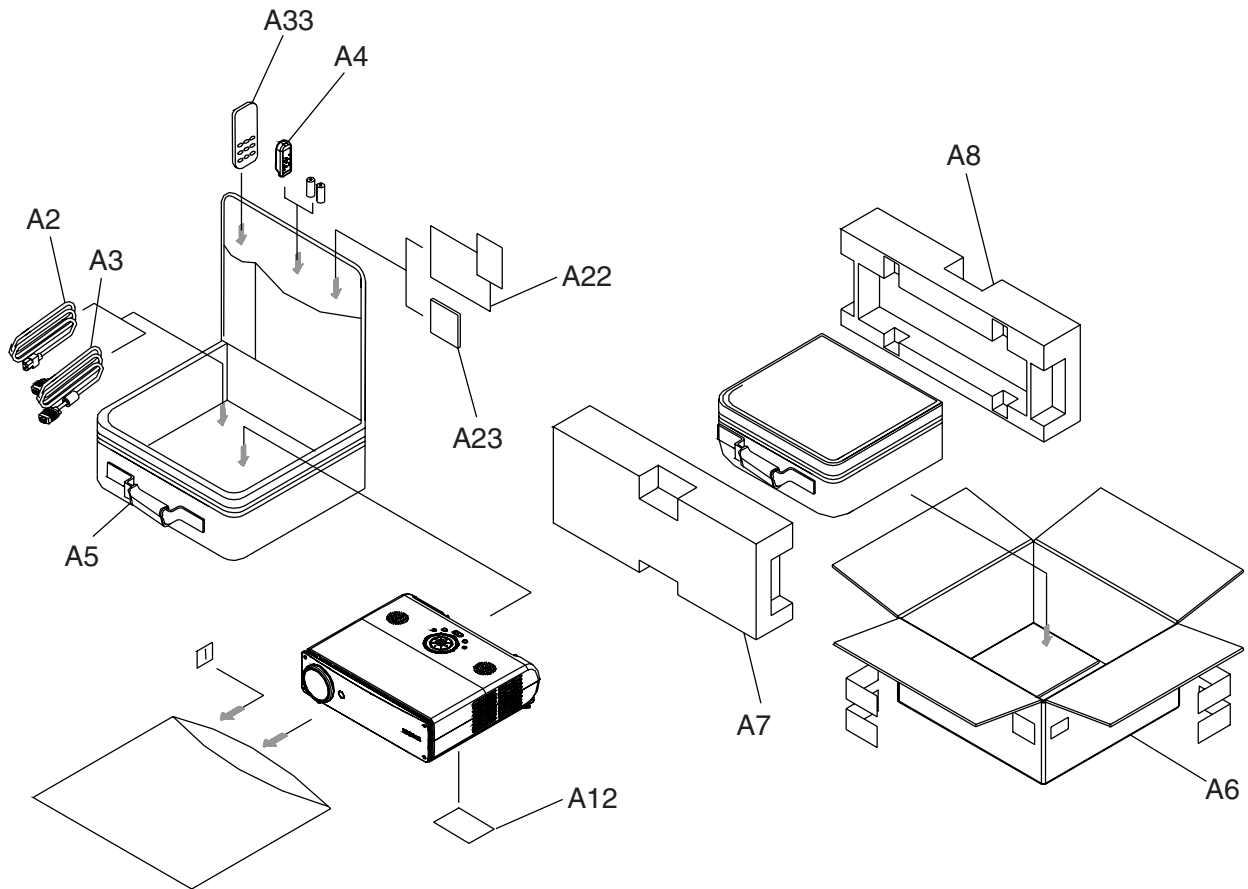
---

# Exploded View and Replacement Parts List


---

## Packing Assembly

TDP-T80/T90/T91/TW90












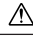

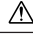
**CAUTION:**

The international hazard symbols “” in the schematic diagram and the parts list designate components which have special characteristics important for safety and should be replaced only with types identical to those in the original circuit or specified in the parts list. The mounting position of replacements is to be identical with originals. Before replacing any of these components, read carefully the PRODUCT SAFETY NOTICE.

Do not degrade the safety of the receiver through improper servicing

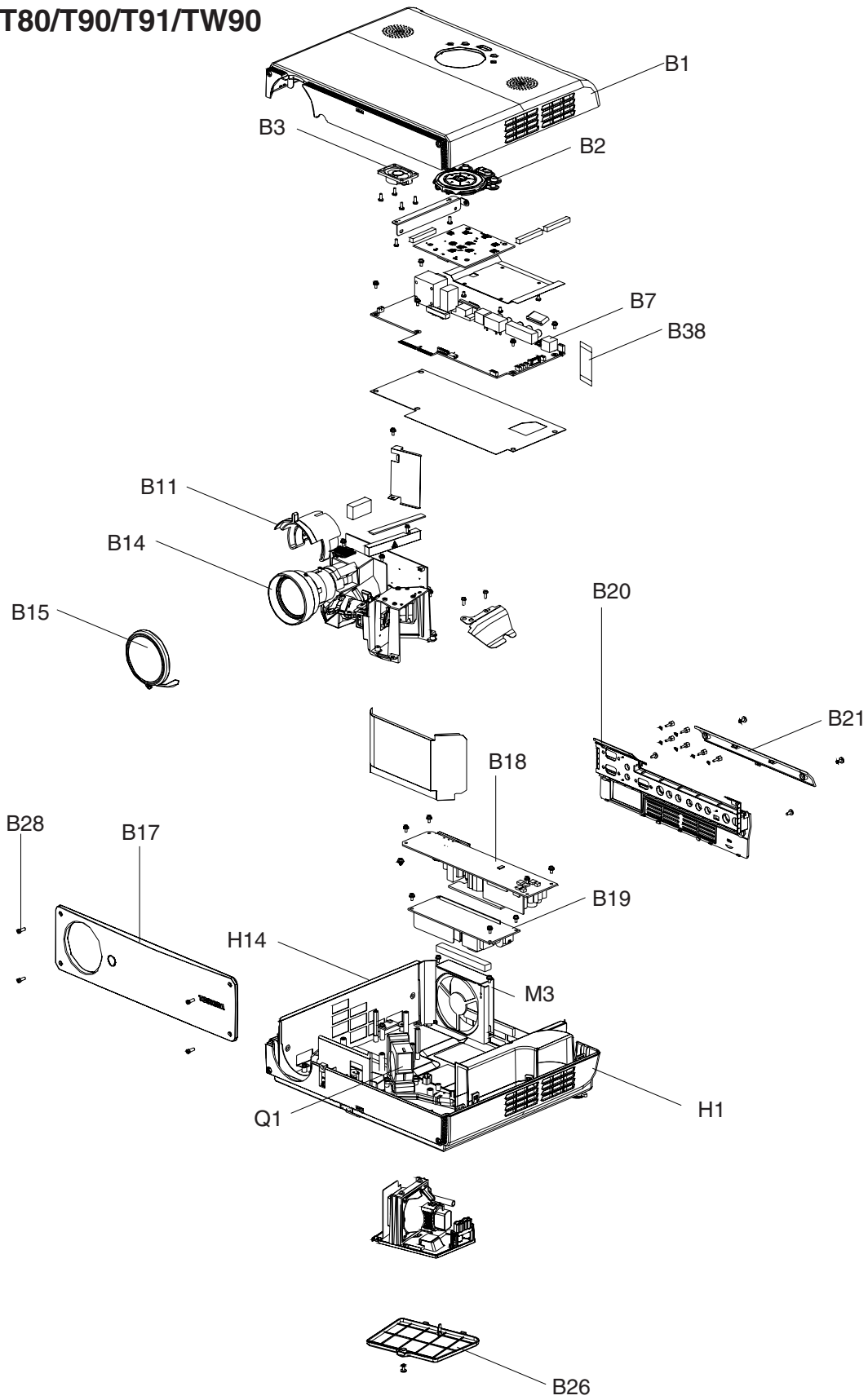
**NOTICE:**

- The parts number must be used when ordering parts, in order to assist in processing, be sure to include the Model number and Description.
- The P.C. board assembly with \* mark is no longer available after the end of the production.

	LOCA. NO.	PARTS NO.	DISCRIPTION	T90	T91	TW90	T80
	A2	23587322	POWER CORD AC 3M CH	√	√	√	√
	A2	23587319	POWER CORD AC 3M EU	√	√	√	√
	A2	23587320	POWER CORD AC 3M UK	√	√	√	√
	A2	23587253	POWER CORD AC 3M US	√	√	√	√
	A3	23587252	CABLE VGA 15P	√	√	√	√
	A4	23306561	REMOTE CONTROLLER	√	√		√
	A4	23306559	REMOTE CONTROLLER (WIRELESS LAN MODEL)			√	
	A5	23587341	HARD CASE (WITH A DOCUMENT CAMERA)		√		
	A5	23587285	HARD CASE (WITH NO DOCUMENT CAMERA)	√		√	√
	A6	23587286	CARTON	√		√	√
	A6	23587342	CARTON		√		
	A7	23587344	PAPER CUSHION F		√		
	A7	23587287	PAPRE CUSHION F	√		√	√
	A8	23587288	PAPER CUSHION R	√		√	√
	A8	23587343	PAPER SUPPORT FOR CABLE ARRANGEMENT		√		
	A12	23587323	LABEL SPEC T91		√		
	A12	23587430	LABEL SPEC TDP-T80				√
	A12	23587250	LABEL SPEC TDP-T90	√			
	A12	23587324	LABEL SPEC TW90			√	
	A22	23587329	CD-ROM MANUAL (T90/T91)	√	√		
	A22	23587393	CD-ROM MANUAL(T80)				√
	A22	23587330	CD-ROM MANUAL(TW90)			√	
	A23	23587332	USER'S MANUAL 4 LANGUAGE (T90/91)	√	√		
	A23	23587335	USER'S MANUAL CHINA (T90/91)	√	√		
	A23	23587331	USER'S MANUAL JAPAN (T90/91)	√	√		
	A23	23587394	USER'S MANUAL USA+EUR Booklet (T80)				√
	A23	23587334	USER'S MANUAL USA+EUR Booklet (TW90)			√	
	A23	23587392	USER'S MANUAL, China (T80)				√
	A23	23587438	USER'S MANUAL, China (TW90)			√	
	A23	23587437	USER'S MANUAL, Japan (TW90)			√	
	A33	23587381	MOUSE REMOTO CONTROLLER	√	√	√	

# Chassis Assembly

## TDP-T80/T90/T91/TW90

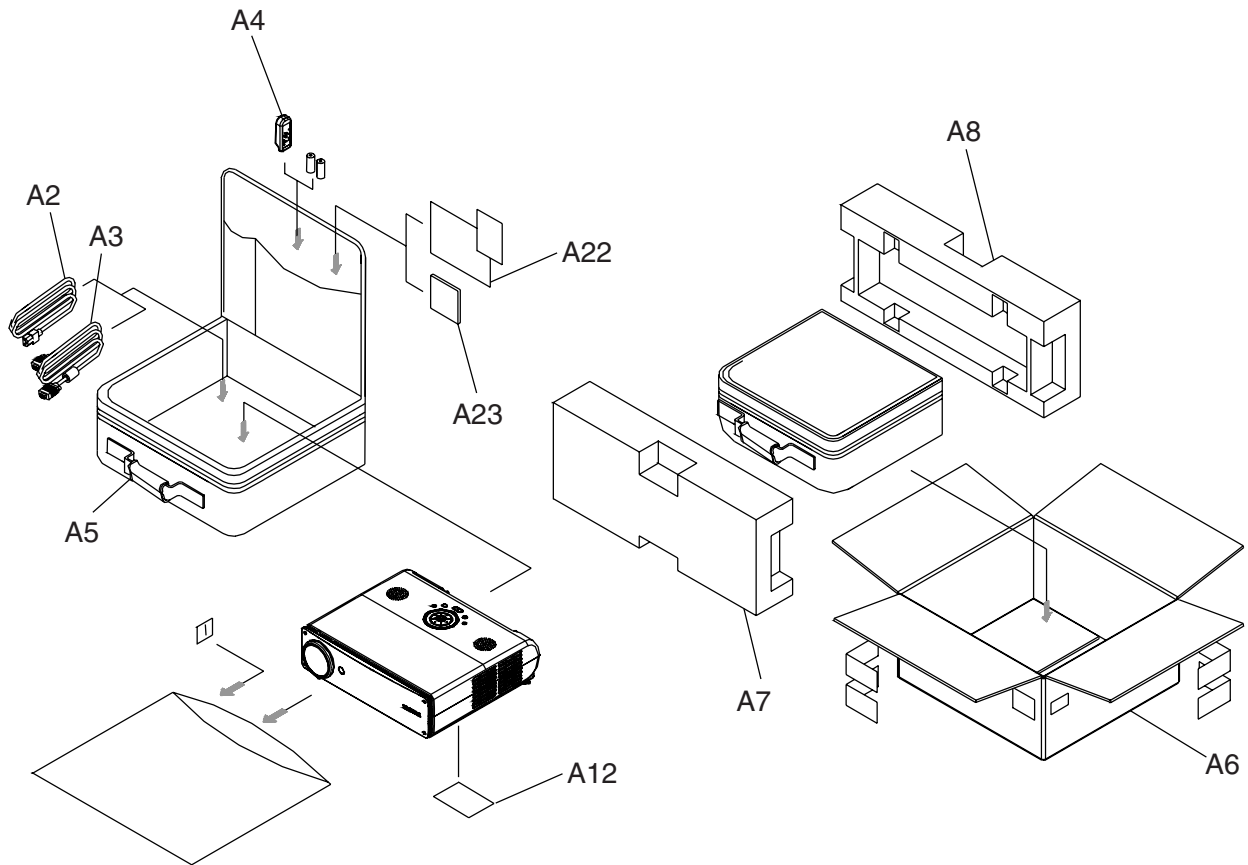


	LOCA. NO.	PARTS NO.	DISCRIPTION	T90	T91	TW90	T80
	B1	23587395	ASSY TOP COVER & SHIELDING T80				√
	B1	23587308	ASSY TOP COVER & SHIELDING T90	√			
	B1	23587338	ASSY TOP COVER & SHIELDING T91		√		
	B1	23587339	ASSY TOP COVER & SHIELDING TW90			√	
	B2	23587373	ASSY SELECT BUTTON MODULE	√	√	√	√
	B3	23587259	SPEAKER	√	√	√	√
	B4	23587374	ASSY KEY PAD MODULE	√	√	√	√
	B7	23587396	PCBA MAIN BOARD (T80)				√
	B7	23587327	PCBA MAIN BOARD (T90/T91)	√	√		
	B7	23587328	PCBA MAIN BOARD (TW90)			√	
	B11	23587261	ZOOM RING (TDP-T90/T80)	√	√	√	√
	B14	23587354	OPTICAL ENGINE T90 T91 T80	√	√		√
	B14	23587446	OPTICAL ENGINE TW90			√	
	B15	23587453	LENS CAP MODULE S80 T90	√	√	√	√
	B17	23587306	ASSY FRONT COVER	√	√	√	√
△	B18	23587304	ASSY LVPS QUASAR	√	√	√	√
△	B19	23587305	ASSY LAMP DRIVER TDP-T90/80	√	√	√	√
	B20	23587309	ASSY REAR COVER & SHIELDING T90 S80	√			√
	B20	23587340	ASSY REAR COVER & SHIELDING T91 S81		√		
	B20	23587326	ASSY REAR COVER & SHIELDING TW90 SW80			√	
	B21	23587270	OPTION COVER	√	√		√
	B21	23587325	OPTION COVER (WIRELESS LAN MODEL)			√	
△	B26	23587445	LAMP COVER PC+ABS-CA01A	√	√	√	√
	B28	23587317	SCREW PAN INNER	√	√	√	√
	B38	23587251	FFC CABLE 24P	√	√	√	√
	D13	23587310	ASSY AIR FLOW	√	√	√	√
	F1	23587266	ELEVATOR PUSH BUTTON TDP-T90/80/S80	√	√	√	√
	F2	23587272	ELEVATOR GEAR BAR	√	√	√	√
	F2	23587283	RUBBER FOOT REAR	√	√	√	√
	F3	23587294	SPRING	√	√	√	√
	F4	23587293	ELEVATOR SPRING	√	√	√	√
	F5	23587271	ELEVATOR BASE HOLDER	√	√	√	√
	F7	23587276	ADJUST FOOT SPACER	√	√	√	√
	F9	23587275	ELEVATOR RUBBER	√	√	√	√
	G1	23587376	ASSY COLOR WHEEL TDP-T90/80	√	√	√	√
	G3	23587377	UV/IR FILTER OF DP739 SERIES	√	√	√	√
	G5	23587262	FOCUS RING	√	√	√	√
	G6	23587248	ZOOM PROJECTION LENS (TDP-T90/T80)	√	√	√	√
△	G10	23587466	KLIXON YS11 THERMAL SWITCH WIRE LENGTH				√
△	G10	23587254	KLIXON YS11 THERMAL SWITCH WIRE LENGTH	√	√	√	
	G14	23587378	DMD ANTIDUST RUBBER	√	√	√	√
	G15	23587255	DMD 1024*768 PIXEL DDR FTP 0.7"XGA	√	√	√	√
	G16	23587256	DMD SOCKET	√	√	√	√


	LOCA. NO.	PARTS NO.	DISCRIPTION	T90	T91	TW90	T80	
	G17	23587337	PCBA DMD BOARD			√		
	G17	23587313	PCBA DMD BOARD	√	√		√	
	G21	23587299	DMD SCREW	√	√	√	√	
	G35	23587284	DMD THERMAL PAD	√	√	√	√	
	H1	23587260	BOTTOM COVER	√	√	√	√	
	H3	LENS DUCT	23587268	√	√	√	√	
	H7	23587379	ASSY ADJUST FOOT MODULE	√	√	√	√	
	H9	23587277	ENGINE PAD	√	√	√	√	
	H14	23587290	BOTTOM BRKT	√	√	√	√	
	H15	23587316	PCBA IR SENSOR BD	√	√	√	√	
	H22	23587267	ELEVATOR FOOT TDP-T90/80/S80	√	√	√	√	
	△	H25	23587303	ASSY INTERRUPTER SWITCH	√	√	√	√
	△	M3	AXIAL FAN	23587257	√	√	√	√
	△	Q1	23587258	BLOEWER,GB1205PKV3-8AY	√	√	√	√
	—	23771423	2.4Ghzs DSSS WIRELESS PCMCIA CARD			√		
	—	23587274	ENTER KEY SPRING	√	√	√	√	
	—	23587380	MOUSE REMOCON RECEIVER	√	√	√		
	—	23587318	NUT HEX	√	√	√	√	
	—	23587314	PCBA KEYPAD BOARD	√	√	√	√	
	—	23587353	PCBA PHOTO SENSOR BD	√	√	√	√	
	△	—	23587315	PCBA THERMAL SENSOR	√	√	√	√
	—	23587345	WIRELESS PC BOARD TDP-TW90/SW80			√		
	D.C.	23532806	COVER, ASSY-BASE BOTTOM		√			
	D.C.	23532807	COVER, CAMERA COVER TOP		√			
	D.C.	23940106	PIECE, BUSH CODE		√			
	D.C.	23532213	FOCUS RING		√			
	D.C.	23940115	PIECE, SCREW COVER		√			
	D.C.	23532803	TOP COVER S21		√			
	D.C.	23771366	PRODUCTS, IKK66LC		√			
	D.C.	23507337	WIRE HARNESS, S21CAMERA		√			
	D.C.	75000867	PCB FS2RL2		√			

# Packing Assembly

## TDP-S80/S81/SW80











**CAUTION:**

The international hazard symbols “” in the schematic diagram and the parts list designate components which have special characteristics important for safety and should be replaced only with types identical to those in the original circuit or specified in the parts list. The mounting position of replacements is to be identical with originals. Before replacing any of these components, read carefully the PRODUCT SAFETY NOTICE.

Do not degrade the safety of the receiver through improper servicing

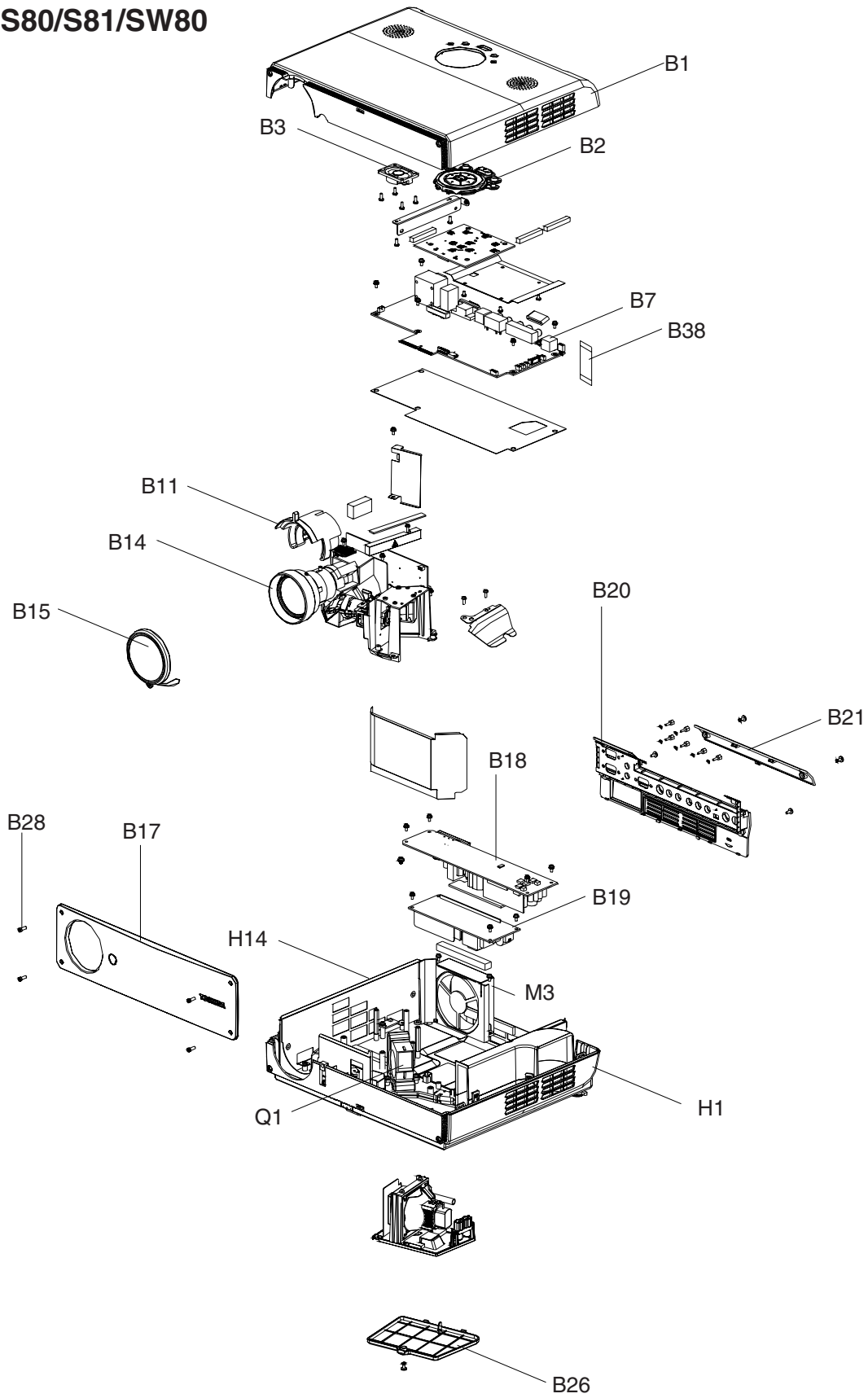
**NOTICE:**

- The parts number must be used when ordering parts, in order to assist in processing, be sure to include the Model number and Description.
- The P.C. board assembly with \* mark is no longer available after the end of the production.

	LOCA. NO.	PARTS NO.	DISCRIPTION	S80	S81	SW80
	A2	23587322	POWER CORD AC 3M CH	√	√	√
	A2	23587319	POWER CORD AC 3M EU	√	√	√
	A2	23587320	POWER CORD AC 3M UK	√	√	√
	A2	23587253	POWER CORD AC 3M US	√	√	√
	A3	23587252	CABLE VGA 15P	√	√	√
	A4	23306561	REMOTE CONTROLLER	√	√	
	A4	23306559	REMOTE CONTROLLER (WIRELESS LAN MODEL)			√
	A5	23587341	HARD CASE (WITH A DOCUMENT CAMERA)		√	
	A5	23587285	HARD CASE (WITH NO DOCUMENT CAMERA)	√		√
	A6	23587286	CARTON	√		√
	A6	23587342	CARTON		√	
	A7	23587344	PAPER CUSHION F		√	
	A7	23587287	PAPRE CUSHION F	√		√
	A8	23587288	PAPER CUSHION R	√		√
	A8	23587343	PAPER SUPPORT FOR CABLE ARRANGEMENT		√	
	A12	23587431	LABEL SPEC TDP-S80	√		
	A12	23587432	LABEL SPEC TDP-S81		√	
	A12	23587433	LABEL SPEC TDP-SW80			√
	A22	23587439	CD-ROM MANUAL(S80/81)	√	√	
	A22	23587441	CD-ROM MANUAL(SW80)			√
	A23	23587440	USER'S MANUAL (S80/81) Booklet	√	√	
	A23	23587465	USER'S MANUAL (SW80) Booklet			√
	A23	23587443	USER'S MANUAL, China (SW80)			√
	A23	23587442	USER'S MANUAL, Japan (SW80)			√

# Chassis Assembly

## TDP-S80/S81/SW80



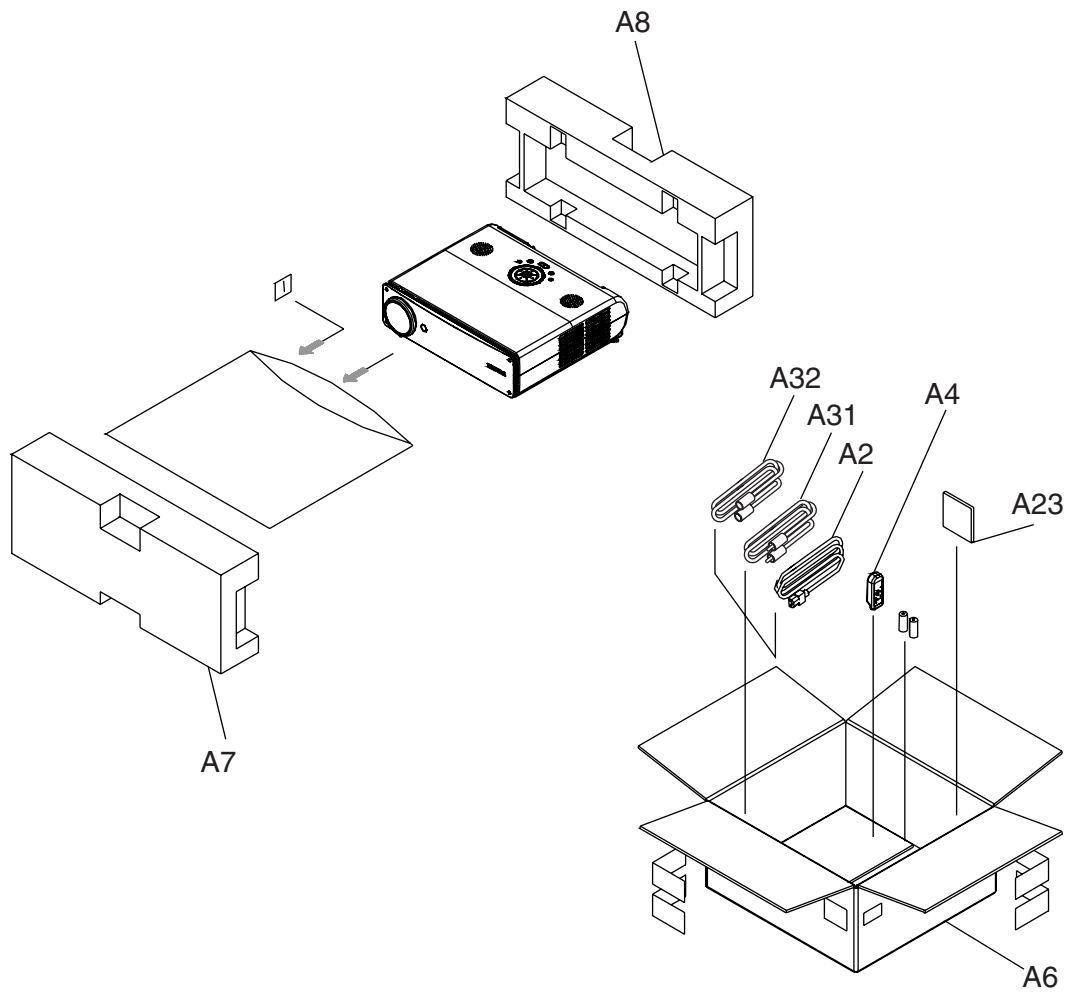


	LOCA. NO.	PARTS NO.	DISCRIPTION	S80	S81	SW80
	B1	23587455	ASSY TOP COVER & SHIELDING S80	√		
	B1	23587456	ASSY TOP COVER & SHIELDING S81		√	
	B1	23587457	ASSY TOP COVER & SHIELDING SW80			√
	B2	23587373	ASSY SELECT BUTTON MODULE	√	√	√
	B3	23587259	SPEAKER	√	√	√
	B4	23587374	ASSY KEY PAD MODULE	√	√	√
	B7	23587459	PCBA MAIN BOARD S80	√		
	B7	23587460	PCBA MAIN BOARD S81		√	
	B7	23587461	PCBA MAIN BOARD SW80			√
	B11	23587404	ZOOM RING (TDP-MT200/S80)	√	√	√
	B14	23587449	OPTICAL ENGINE S80 S81	√	√	
	B14	23587450	OPTICAL ENGINE SW80			√
	B15	23587453	LENS CAP MODULE S80 T90	√	√	√
	B17	23587306	ASSY FRONT COVER	√	√	√
△	B18	23587304	ASSY LVPS QUASAR	√	√	√
△	B19	23587458	ASSY LAMP DRIVER TDP-S80	√	√	√
	B20	23587309	ASSY REAR COVER & SHIELDING T90 S80	√		
	B20	23587340	ASSY REAR COVER & SHIELDING T91 S81		√	
	B20	23587326	ASSY REAR COVER & SHIELDING TW90 SW80			√
	B21	23587270	OPTION COVER	√	√	
	B21	23587325	OPTION COVER (WIRELESS LAN MODEL)			√
△	B26	23587445	LAMP COVER PC+ABS-CA01A	√	√	√
	B28	23587317	SCREW PAN INNER	√	√	√
	B38	23587251	FFC CABLE 24P	√	√	√
	D13	23587310	ASSY AIR FLOW	√	√	√
	F1	23587266	ELEVATOR PUSH BUTTON TDP-T90/80/S80	√	√	√
	F2	23587283	RUBBER FOOT REAR	√	√	√
	F3	23587294	SPRING	√	√	√
	F4	23587293	ELEVATOR SPRING	√	√	√
	F5	23587271	ELEVATOR BASE HOLDER	√	√	√
	F7	23587276	ADJUST FOOT SPACER	√	√	√
	F7	23587267	ELEVATOR FOOT TDP-T90/80/S80	√	√	√
	F9	23587275	ELEVATOR RUBBER	√	√	√
	G1	23587451	ASSY COLOR WHEEL TDP-S80	√	√	√
	G3	23587377	UV/IR FILTER OF DP739 SERIES	√	√	√
	G5	23587262	FOCUS RING	√	√	√
	G6	23587429	ZOOM PROJECTION LENS (TDP-MT200/S80)	√	√	√
△	G10	23587466	KLIXON YS11 THERMAL SWITCH WIRE LENGTH	√	√	√
	G14	23587378	DMD ANTIDUST RUBBER	√	√	√
	G15	23587444	DMD 800*600 PIXEL DDR FTP 0.55" SVGA	√	√	√
	G16	23587256	DMD SOCKET	√	√	√
	G17	23587337	PCBA DMD BOARD			√
	G17	23587313	PCBA DMD BOARD	√	√	


	LOCA. NO.	PARTS NO.	DISCRIPTION	S80	S81	SW80
	G21	23587299	DMD SCREW	√	√	√
	G35	23587284	DMD THERMAL PAD	√	√	√
	H1	23587260	BOTTOM COVER	√	√	√
	H3	23587268	LENS DUCT	√	√	√
	H7	23587379	ASSY ADJUST FOOT MODULE	√	√	√
	H9	23587277	ENGINE PAD	√	√	√
	H14	23587290	BOTTOM BRKT	√	√	√
	H15	23587316	PCBA IR SENSOR BD	√	√	√
	H22	23587272	ELEVATOR GEAR BAR	√	√	√
△	H25	23587303	ASSY INTERRUPTER SWITCH	√	√	√
△	M3	23587257	AXIAL FAN	√	√	√
△	Q1	23587258	BLOEWER,GB1205PKV3-8AY	√	√	√
	—	23771423	2.4Ghzs DSSS WIRELESS PCMCIA CARD			√
	—	23587274	ENTER KEY SPRING	√	√	√
	—	23587318	NUT HEX	√	√	√
	—	23587314	PCBA KEYPAD BOARD	√	√	√
	—	23587353	PCBA PHOTO SENSOR BD	√	√	√
△	—	23587315	PCBA THERMAL SENSOR	√	√	√
	—	23587345	WIRELESS PC BOARD TDP-TW90/SW80			√
	D.C.	23532806	COVER, ASSY-BASE BOTTOM		√	
	D.C.	23532807	COVER, CAMERA COVER TOP		√	
	D.C.	23940106	PIECE, BUSH CODE		√	
	D.C.	23532213	FOCUS RING		√	
	D.C.	23940115	PIECE, SCREW COVER		√	
	D.C.	23532803	TOP COVER S21		√	
	D.C.	23771366	PRODUCTS, IKK66LC		√	
	D.C.	23507337	WIRE HARNESS, S21CAMERA		√	
	D.C.	75000867	PCB FS2RL2		√	

# Packing Assembly

## TDP-MT200







**CAUTION:**


The international hazard symbols “” in the schematic diagram and the parts list designate components which have special characteristics important for safety and should be replaced only with types identical to those in the original circuit or specified in the parts list. The mounting position of replacements is to be identical with originals. Before replacing any of these components, read carefully the PRODUCT SAFETY NOTICE.

Do not degrade the safety of the receiver through improper servicing

**NOTICE:**

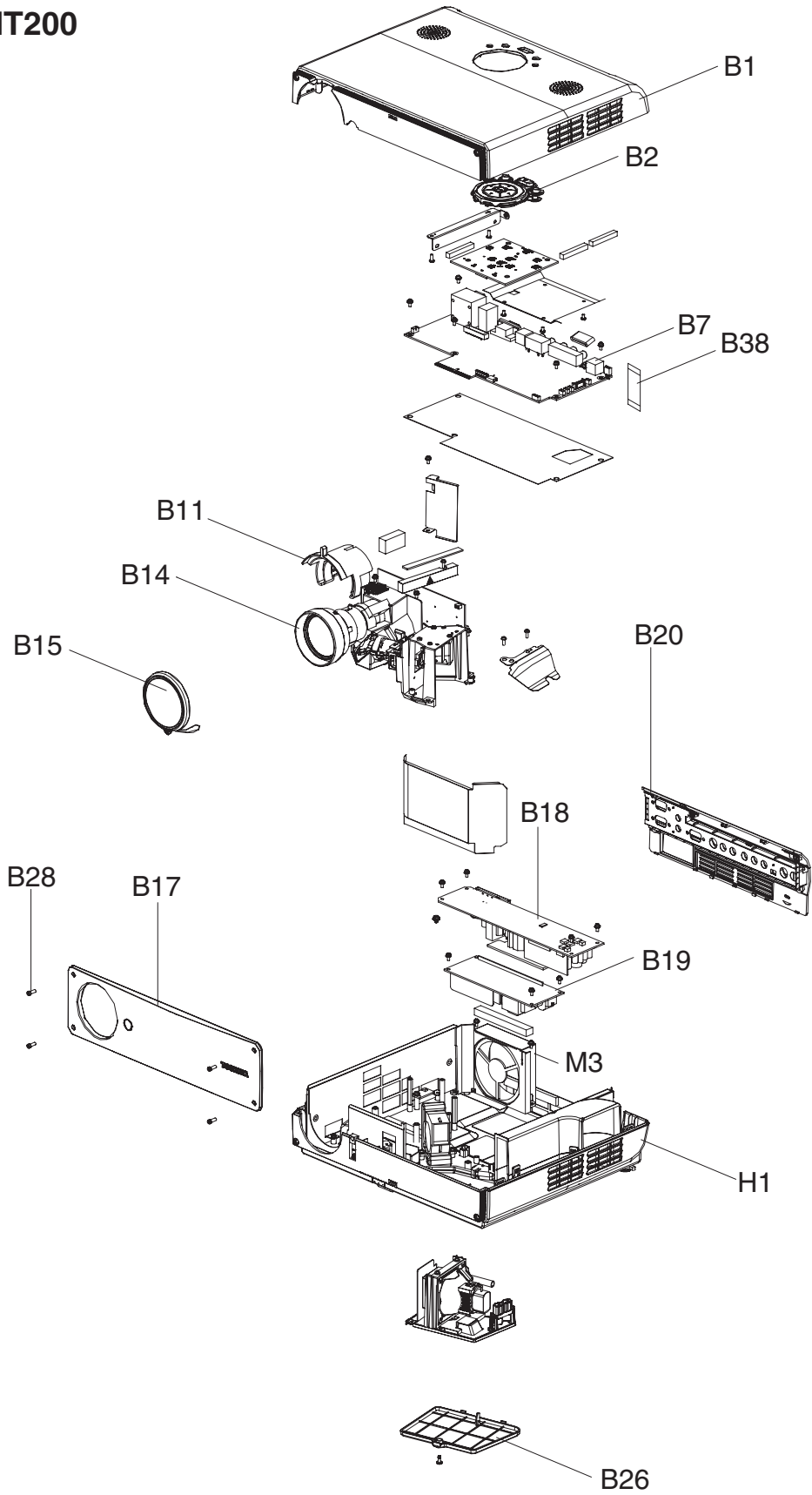
- *The parts number must be used when ordering parts, in order to assist in processing, be sure to include the Model number and Description.*
- *The P.C. board assembly with \* mark is no longer available after the end of the production.*

	LOCA. NO.	PARTS NO.	DISCRIPTION
	A2	23587322	POWER CORD AC 3M CH
	A2	23587319	POWER CORD AC 3M EU
	A2	23587320	POWER CORD AC 3M UK
	A2	23587253	POWER CORD AC 3M US
	A4	23587412	REMOTE CONTROLLER CT-90221
	A6	23587286	CARTON

	LOCA. NO.	PARTS NO.	DISCRIPTION
	A7	23587287	PAPRE CUSHION F
	A8	23587288	PAPER CUSHION R
	A23	23587397	USER'S MANUAL 7 LANGUAGE (MT200)
	A31	23368800	VIDEO CABLE PIN-PIN 3M
	A32	23587509	S-CABLE 3M

# Chassis Assembly

## TDP-MT200



	LOCA. NO.	PARTS NO.	DISCRIPTION
	B1	23587409	ASSY TOP COVER & SHIELDING MT200
	B2	23587448	ASSY SELECT BUTTON MODULE MT200
	B4	23587447	ASSY KEY PAD MODULE TDP-M200
	B7	23587411	PCBA MAIN BOARD MT200
	B11	23587404	ZOOM RING (TDP-MT200/S80)
	B14	23587407	OPTICAL ENGINE MT200
	B15	23587307	LENS CAP MODULE MT200
	B17	23587306	ASSY FRONT COVER
⚠	B18	23587304	ASSY LVPS QUASAR
⚠	B19	23587408	ASSY LAMP DRIVER TDP-MT200
	B20	23587410	ASSY REAR COVER MT200
⚠	B26	23587403	LAMP COVER PC+ABS-CA01A TDP-MT200
	B28	23587317	SCREW PAN INNER
	B38	23587251	FFC CABLE 24P
	D13	23587310	ASSY AIR FLOW
	F1	23587401	ELEVATOR PUSH BUTTON TDP-MT200
	F2	23587272	ELEVATOR GEAR BAR
	F2	23587283	RUBBER FOOT REAR
	F3	SPRING	23587294
	F4	23587293	ELEVATOR SPRING
	F5	23587271	ELEVATOR BASE HOLDER
	F7	23587276	ADJUST FOOT SPACER
	F9	23587275	ELEVATOR RUBBER
	G1	23587406	ASSY COLOR WHEEL TPD-MT200

	LOCA. NO.	PARTS NO.	DISCRIPTION
	G3	23587377	UV/IR FILTER OF DP739 SERIES
	G5	23587262	FOCUS RING
	G6	23587429	ZOOM PROJECTION LENS (TDP-MT200/S80)
⚠	G10	23587466	KLIXON YS11 THERMAL SWITCH WIRE LENGTH
	G14	23587378	DMD ANTIDUST RUBBER
	G15	23587398	DMD 854*480 PIXEL 0.5" 480P DDR WITH
	G16	23587256	DMD SOCKET
	G17	23587313	PCBA DMD BOARD
	G21	23587299	DMD SCREW
	G35	23587284	DMD THERMAL PAD
	H1	23587400	BOTTOM COVER TDP-MT200
	H3	23587268	LENS DUCT
	H7	23587379	ASSY ADJUST FOOT MODULE
	H9	23587277	ENGINE PAD
	H14	23587290	BOTTOM BRKT
	H15	23587316	PCBA IR SENSOR BD
	H22	23587402	ELEVATOR FOOT TDP-MT200
⚠	H25	23587303	ASSY INTERRUPTER SWITCH
	M3	23587257	AXIAL FAN
	Q1	23587258	BLOEWER,GB1205PKV3-8AY
	—	23587274	ENTER KEY SPRING
	—	23587318	NUT HEX
	—	23587314	PCBA KEYPAD BOARD
	—	23587353	PCBA PHOTO SENSOR BD
⚠	—	23587315	PCBA THERMAL SENSOR
	—	23587405	RUBBER PAD WHITE