



LG

CONDENSING DRYER SERVICE MANUAL

CAUTION

READ THIS MANUAL CAREFULLY TO DIAGNOSE TROUBLE
CORRECTLY BEFORE OFFERING SERVICE.

MODEL : TD-C7021*E Series

PROGRAM CYCLE

■ TD-C70210E/215E



■ TD-C70212E/216E



● Gentle

This is used to lengthen the cycle time by decreasing temperature.

● Buzzer Off

This is about buzzer sound on/off. After power is on and you select cycle, buzzer will sound when you press a certain button on the panel. If you don't like to hear that sound, just press Buzzer Off button. The Buzzer is then turned -off.

● Anti-Crease

Anti-Crease is functioning to prevent creases and rumples that are formed when the laundry is not unloaded promptly at the end of drying cycle. In this function, the dryer repeatedly runs and pauses to the cycle end.

If the door is open during Anti-Crease process, this function is cancelled.

Note

You can see "Ant" sign on LED window at the end of drying cycle. It is not error.

● Time Delay

You can use the Time Delay function to delay the finishing time of drying cycle. Maximum Time Delay is 19 hours. Minimum Time Delay is 3 hours.

1. Turn the dryer on
2. Select cycle
3. Set time delay hour
4. Press Start/Pause button

● More Time/Less Time

Press More Time or Less Time until the desired drying time is set.

1. Every time you push "More Time" button, operation time increase 5 minute. (Maximum=100min.)
2. Every time you push "Less Time" button, operation time decrease 5 minute. (Minimum=15min.)

Note

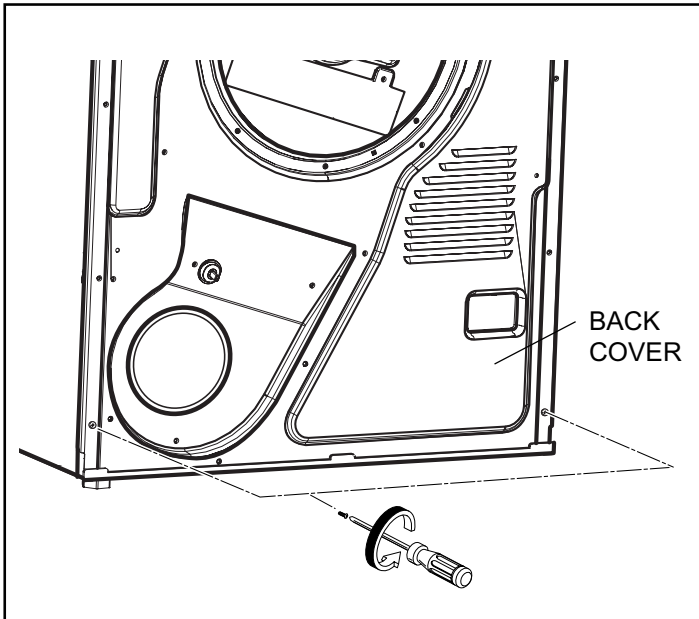
These buttons are available only with Timed Drying, before you push Start/Pause button.

● Child Lock

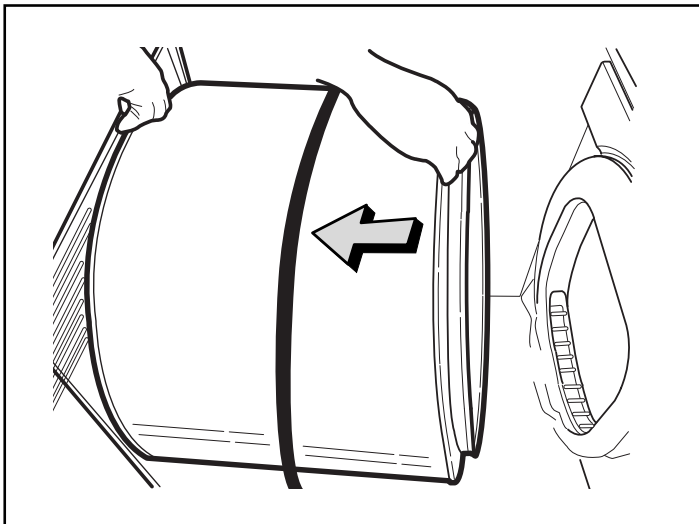
For the safety of your children, press Gentle and Buzzer off buttons at the same time for about 3 seconds. You can see "Child Lock" sign on LED window.

Note

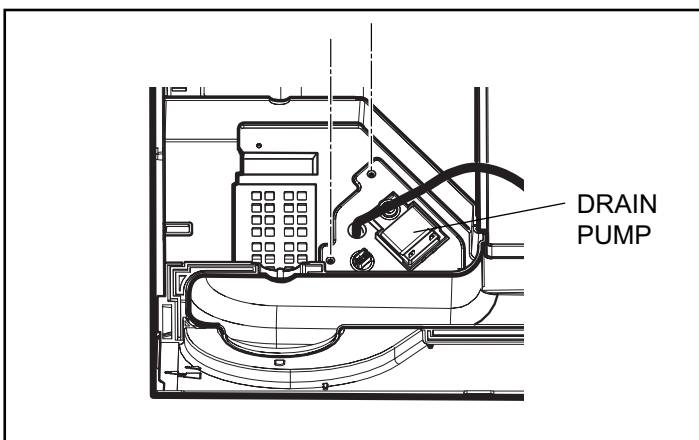
For "Child Lock" off, press Gentle and Buzzer off buttons at the same time for about 3 seconds.



1. Disassemble Back cover from the Base by unscrewing 2 screws.



2. Disassemble Drum

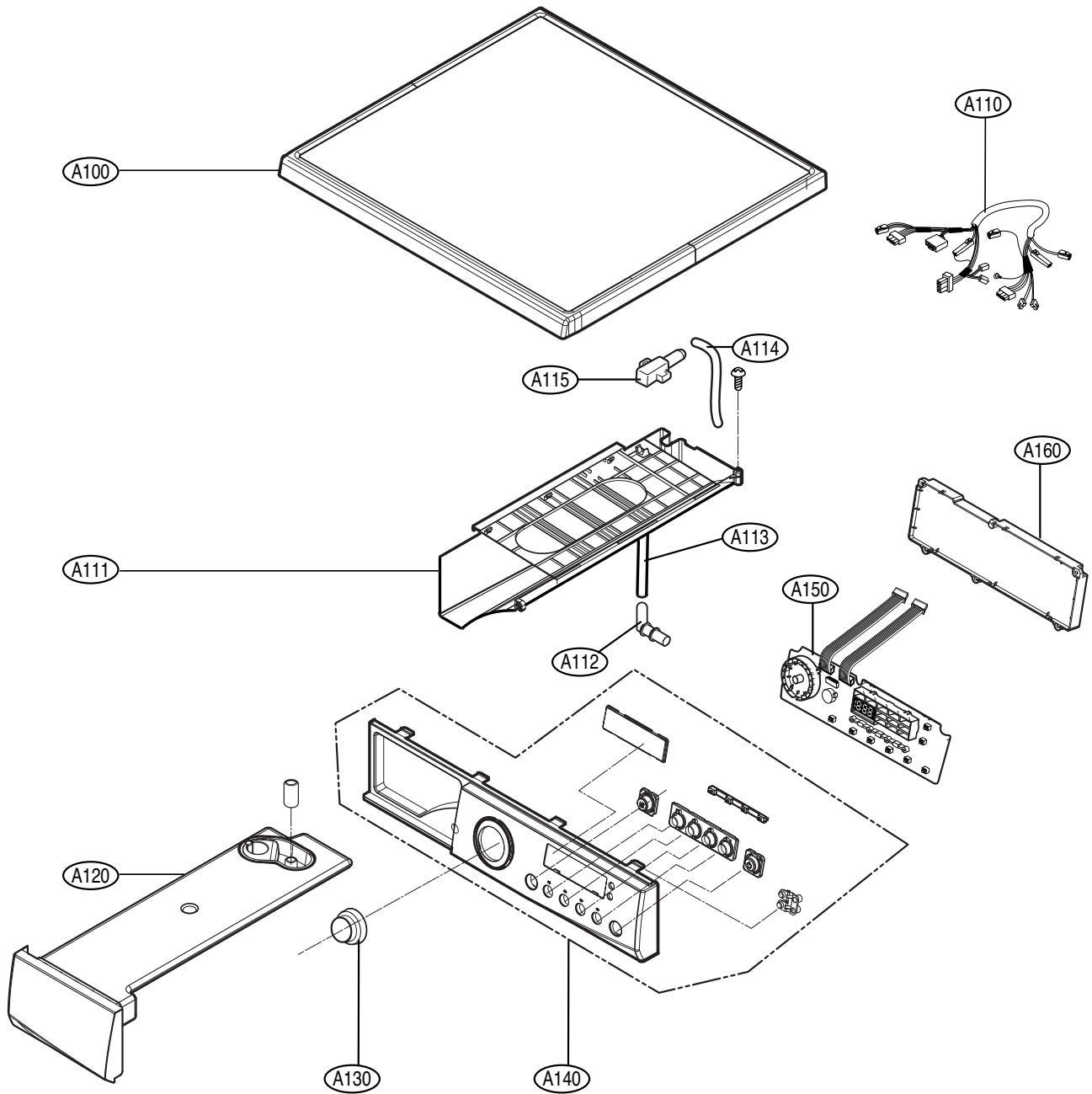


3. Disassemble Drain Pump by unscrewing 2 screws.

● Control Panel & Top plate Assembly

○ : NON SVC Parts

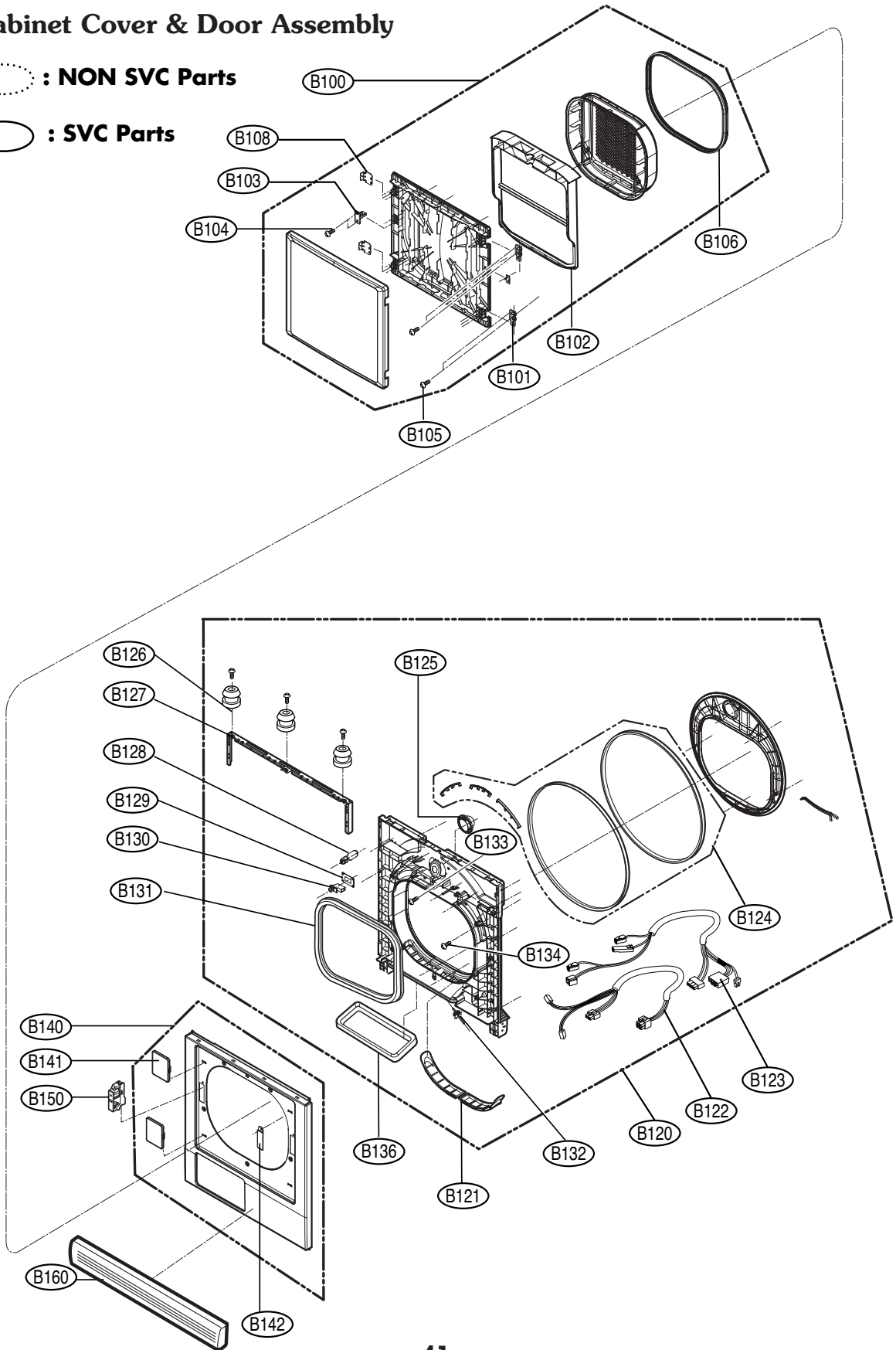
○ : SVC Parts



● Cabinet Cover & Door Assembly

○ : NON SVC Parts

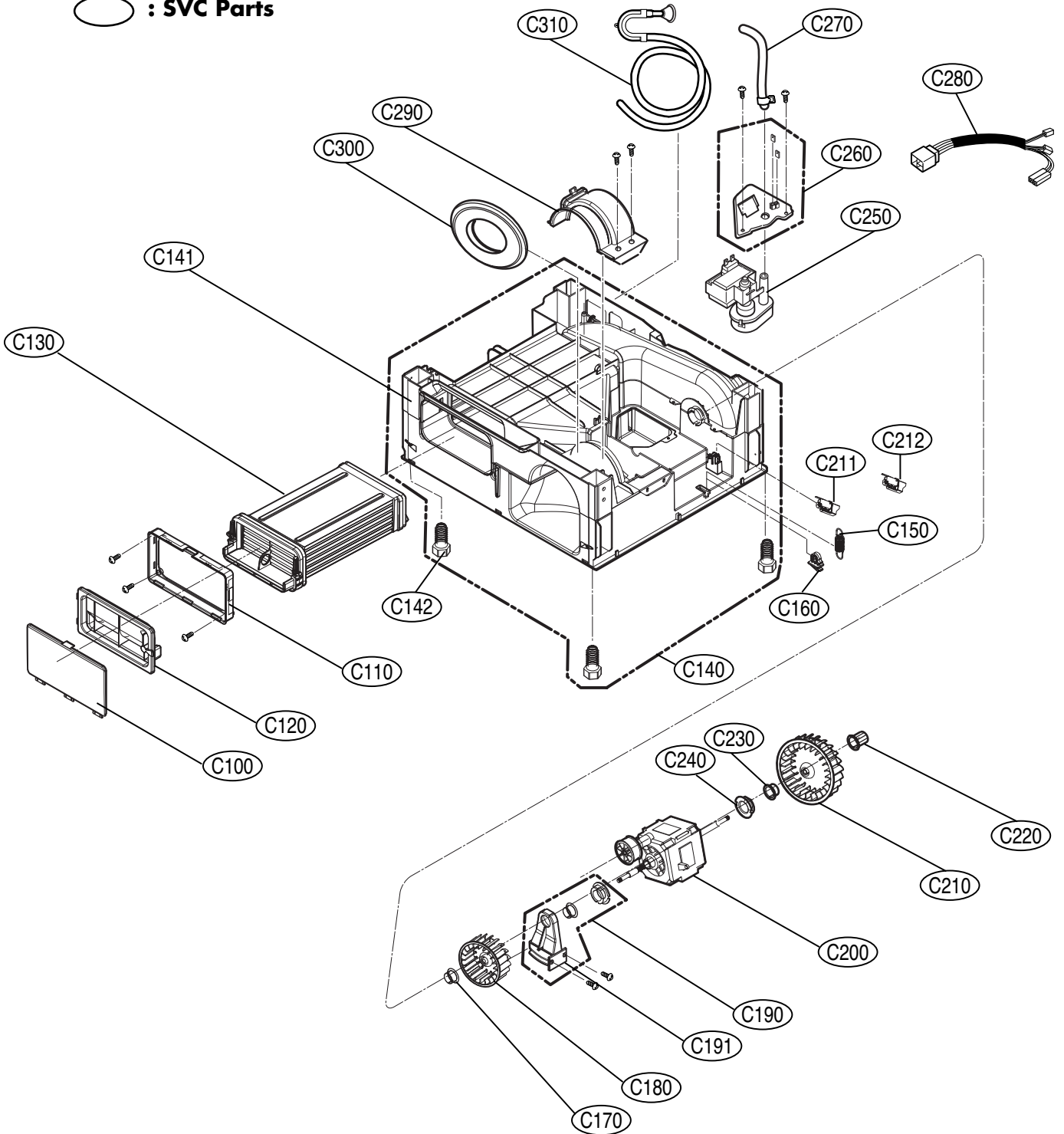
○ : SVC Parts



● Base & Motor Assembly

⋯ : NON SVC Parts

○ : SVC Parts



● Back Cover & Drum Assembly

○ : NON SVC Parts

○ : SVC Parts

