



CONDENSING DRYER SERVICE MANUAL

CAUTION

READ THIS MANUAL CAREFULLY TO DIAGNOSE TROUBLE
CORRECTLY BEFORE OFFERING SERVICE.

MODEL : TD-C7014 Series**

IMPORTANT SAFETY NOTICE

The information in this service guide is intended for use by individuals possessing adequate backgrounds of electrical, electronic, and mechanical experience. Any attempt to repair a major appliance may result in personal injury and property damage. The manufacturer or seller cannot be responsible for the interpretation of this information, nor can it assume any liability in connection with its use.



WARNING !

To avoid personal injury, disconnect power before servicing this product. If electrical power is required for diagnosis or test purposes, disconnect the power immediately after performing the necessary checks.

RECONNECT ALL GROUNDING DEVICES

If grounding wires, screws, straps, clips, nuts, or washers used to complete a path to ground are removed for service, they must be returned to their original position and properly fastened.

IMPORTANT

Electrostatic Discharge (ESD)

Sensitive Electronics

ESD problems are present everywhere. ESD may damage or weaken the electronic control assembly. The new control assembly may appear to work well after repair is finished, but failure may occur at a later date due to ESD stress.

- Use an anti-static wrist strap. Connect wrist strap to green ground connection point or unpainted metal in the appliance.

-OR -

Touch your finger repeatedly to a green ground connection point or unpainted metal in the appliance.

- Before removing the part from its package, touch the anti-static bag to a green ground connection point or unpainted metal in the appliance.
- Avoid touching electronic parts or terminal contacts; handle electronic control assembly by edges only.
- When repackaging failed electronic control assembly in anti-static bag, observe above instructions.

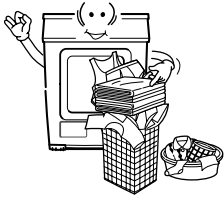
CONTENTS

1. SPECIFICATIONS	4
2. FEATURES AND LOOK	5
3. PART IDENTIFICATION	6
4. PROGRAM CYCLE	7
5. INSTALLATION INSTRUCTIONS	10
6. MAINTENANCE INSTRUCTIONS	12
7. COMPONENT TESTING TIPS	15
8. CONTROL LAY-OUT	17
9. WIRING DIAGRAM	18
10. TROUBLESHOOTING.....	19
11. DIAGOSTIC TEST.....	21
12. DISASSEMBLY INSTRUCTIONS.....	28
13. EXPLODED VIEW	38

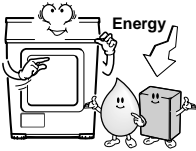
1

SPECIFICATIONS

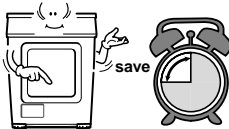
ITEMS	TD-C70140E	REMARK
MATERIAL & FINISHES		
DRYING TYPE	Condensation	
WEIGHT	40 kg (Gross : 46 kg)	
DIMENSION	595(W) x 850(H) x 600(D)	
STANDARD DRYING CAPACITY	7.0 kg	
CONTROL TYPE	Electronic Control	
POWER SUPPLY	AC 220~230V, 50Hz (16A)	LGEUK : 13A, LGEAP : 10A
MOTOR	250W	
HEATER	2500W(22.5)	LGEUK : 2350W, LGEAP : 1900W
LAMP	15W(125mA)	
DOOR SWITCH	250V(10A)	
THERMOSTAT	240V(25A)	
CONTROL TYPE	Electronic	
DRUM CAPACITY	116 Liter	
SAFETY DEVICES	Thermal Fuse (Motor)	
	Over current protect (Motor)	
	Thermostat	
SENSING TYPE	Micom electronic Control	
	1. Temperature : 2 thermistors	
	2. Humidity : Electrode Sensor	
FILTER	Removable (Double screen)	
DRUM SPEED	56~57 rpm	
REVERSIBLE DOOR	Available	
DRUM	Stainless steel	
DRYER RACK	Available	
CHILD LOCK	Available	
TEMPERTURE CONTROL	Available (Quick/Gentle buttons)	Default : ON
IRON-DRY BUZZER	Available	Default : OFF
ANTI-CREASE COURSE	Available	
TIME-ADDING	Available	3~19 hours
TIME DELAY	Available	
DRUM INTERIOR LIGHT	Available	
LED DISPLAY	TIME DISPLAY	
	RUNNING STATUS INDICATOR	
	EMPTY WATER	
	CLEAN FILTER	
	CHILD LOCK	



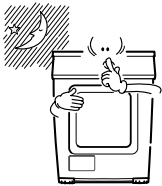
Ultra big Capacity Drum
 LG Dryer has 7.0kg capacity which is the ultra big capacity.



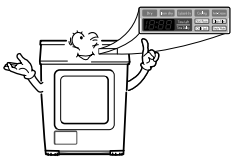
Lower Energy Consumption
 Energy is saved by Sirocco fan.



Reduced drying time
 Drying time is shortened by efficient air flow mechanism and optimized heater.



Innovative noise performance
 Noise gets reduced by Noise-absorption & screening technology.

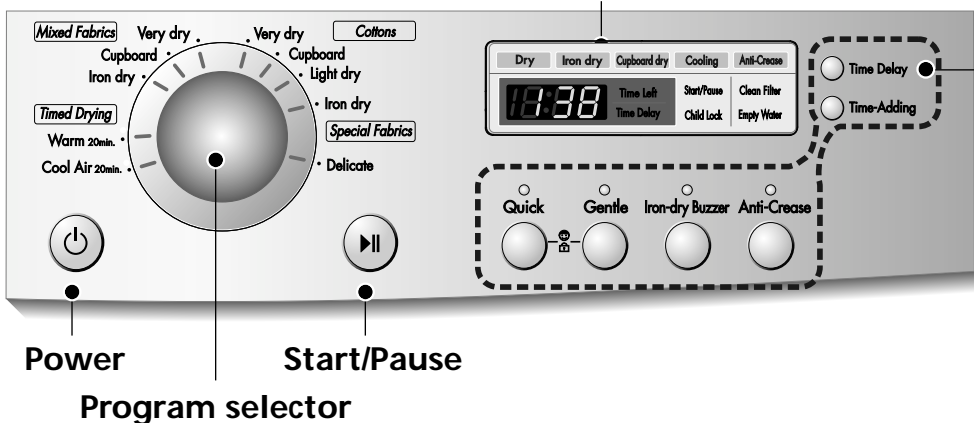


Easy of Use
 Wide LED display using electric control.

Control Panel

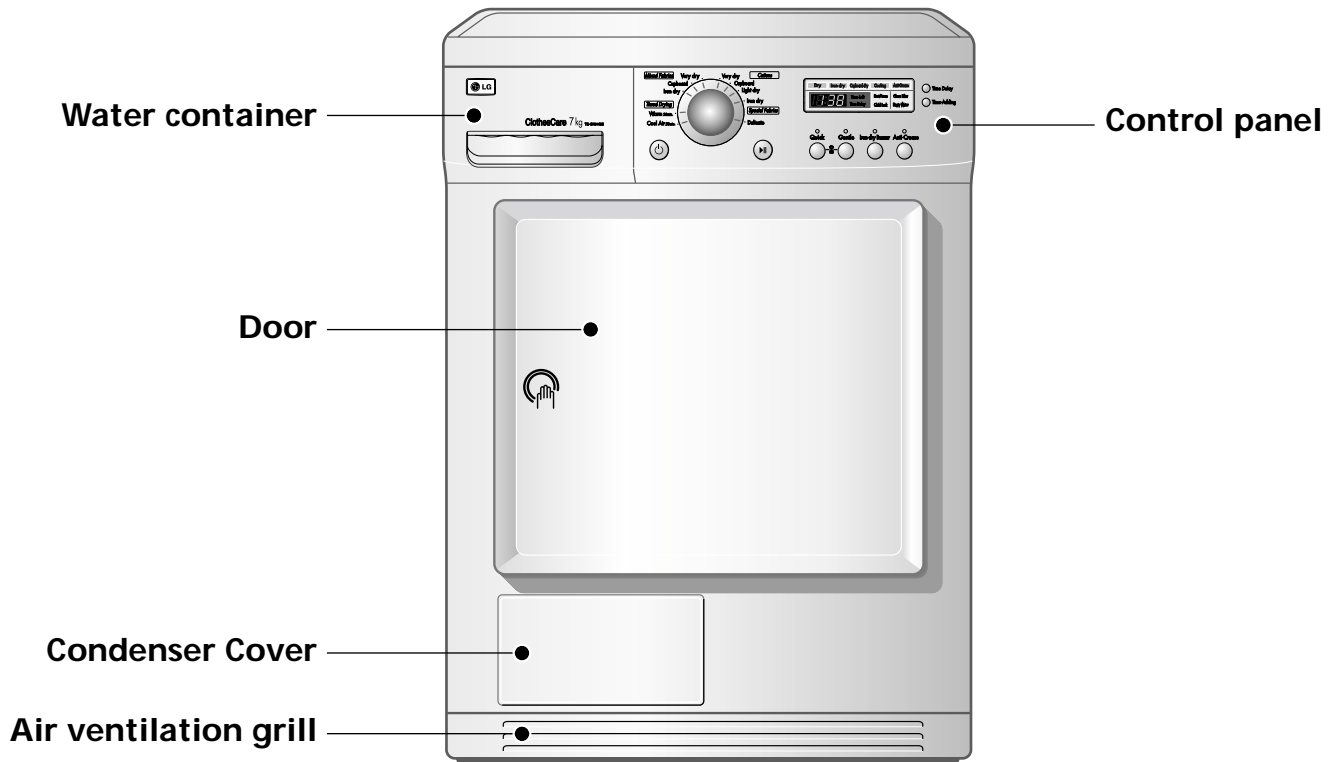
■ TD-C70140E/145E

LED Display
 • Time Display
 • Indicator lamps



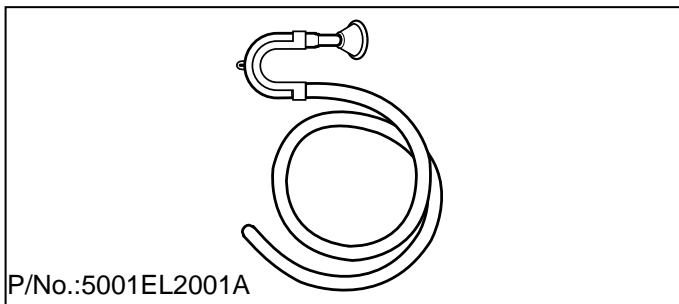
Additional function buttons

- Quick/Gentle
- Iron-dry Buzzer
- Anti-Crease
- Time Delay
- Time-Adding

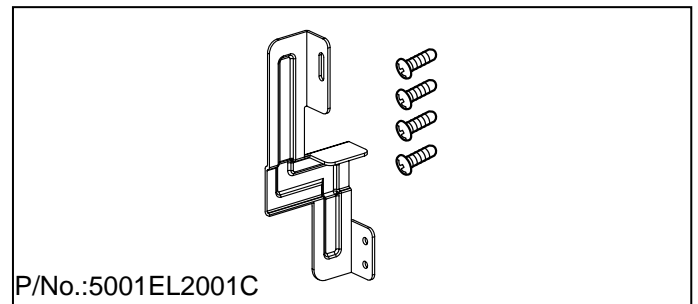


● Accessories

1. Drain Hose Assembly (Purchased Separately)



2. Stacking kit Assembly (Purchased Separately)



■ TD-C70140E/145E



- **Quick / Gentle**
These are functioning to shorten or lengthen the cycle time by increasing or decreasing temperature.

- **Iron-dry Buzzer**
Select Iron-dry Buzzer to alert you that your clothes are approximately 80% dry. This is useful when you want to remove lightweight items in a mixed load to prevent overdrying or remove partially dry items that may need ironing.

NOTE : The Iron-dry Buzzer is only available with the Cottons, Mixed Fabrics.

- **Anti-Crease**
Anti-Crease is functioning to prevent creases and rumples that are formed when the laundry is not unloaded promptly at the end of drying cycle. In this function, the dryer repeatedly runs and pauses to the cycle end. If the door is open during Anti-Crease process, this function is cancelled. But in case of door open during normal operation without selecting Anti-Crease, this function will be remembered and processed.

- **Time-Adding**
Press Time-Adding until the desired drying time is displayed. Tap Time-Adding and the time will change by 20 minute intervals.

NOTE : The Time-Adding function can be used with Timed Drying.

- **Time Delay**
You can use the Time Delay function to delay the finishing time of drying cycle. Maximum Time Delay is 19 hours.
 1. Turn the dryer on
 2. Select cycle
 3. Set time delay hour
 4. Press Start/Pause button

- **Child-Lock**
For the safety of your children, press “Quick” and “Gentle” Buttons at the same time for about 3 seconds. You can see the “child lock” lamp is on, which means this function is activated.

● Cycle Selection Table

Electronic Auto Dry Cycles		Standard Program
Mixed-Fabric cycles (Note) press the "Gentle" button for heat-sensitive items		
Bed linen and table linen, tracksuits, anorak, blankets	For thick and quilted fabrics which do not need to be ironed.	Very Dry
shirts, blouses and sportswear	For fabrics which do not need to be ironed.	Cupboard dry
Trousers, dressers, skirts, blouses	For fabrics which do need to be ironed.	Iron Dry
Cotton (Whites and coloreds) (Note) press the "Gentle" button for heat-sensitive items		
Terry toweling, tea towels, towel, bed linen	For thick and quilted fabrics which do not need to be ironed.	Very Dry
Bath towels, tea towels, underwear, cotton socks	For fabrics which do not need to be ironed.	Cupboard dry
T-shirts, trousers, underwear, work clothes	For fabrics which do need to be ironed lightly, not completely.	light Dry
Bed linen, table linen, towels, T-shirts Polo shirts and work clothes	For fabrics which do need to be ironed.	Iron Dry
Time Cycles for selected length of time		
Bath towels, bath robes, dishcloths, Quilted fabrics made of acrylic	Small clothes & pre-dried laundry Normal Normal fabrics using hot temperature for 20minutes	Warm (20min.)
All fabrics needing freshing, tumbles without heat		Cool Air (20min.)
Special Fabrics		
Silk, Women's thin clothes, lingerie	For fabrics which are heat-sensitive like synthetic fabrics.	Delicates

CAUTION!

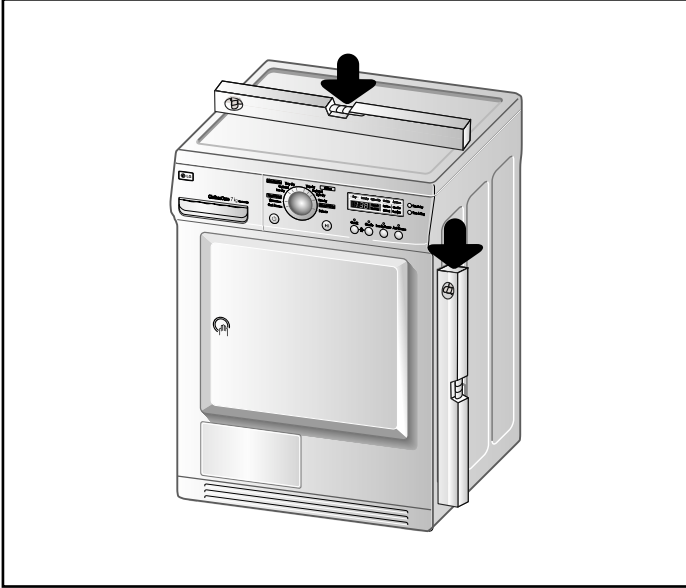
If the load is less than 1kg, please use "Timed Drying Course"
Heat-sensitive fabrics including silk, underwears, lingerie should be used in delicates courses.
Otherwise, these clothes can cause undesirable drying results.

4

PROGRAM CYCLE

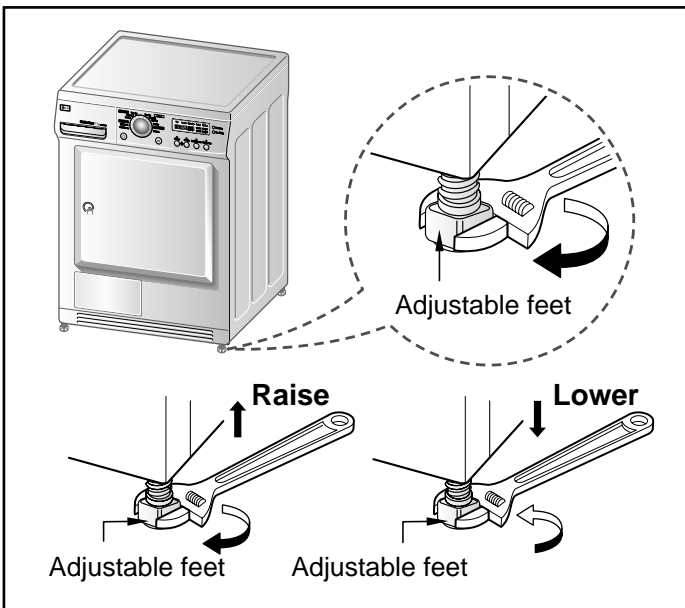
Course		Quick	Gentle	Iron-dry Buzzer	Anti-Crease	Time left
Cottons	Very dry	O	O	O	O	120
	Cupboard dry	O	O	O	O	115
	Light dry	O	O	O	O	103
	Iron dry	O	O	O	O	97
Mixed Fabric	Very dry	O	O	O	O	53
	Cupboard dry	O	O	O	O	48
	Iron dry	O	O	O	O	41
Timed Drying	Warm 20min.	O	O	X	O	20
	Cool Air 20min.	X	X	X	O	20
Special Fabric	Delicate	X	X	O	O	69

● Level the dryer



1. Leveling the dryer is to prevent undesirable noise and vibration.

When placing your dryer in a solid and level area where water is not dripping and freezing, flammable materials are not stored.



2. If the dryer is not properly level, adjust the front leveling legs up and down as necessary.

Turn them clockwise to raise and counterclockwise to lower until the dryer is not wobbling both front-to-back and side-to-side.



* Diagonal Check

*When pushing down the edges of the washing machine, the machine should not move up and down at all. (Please, check both of two directions)
If machine rocks when pushing the machine top plate diagonally, adjust the feet again.*

GROUNDING INSTRUCTION

This appliance must be grounded. In the event of malfunction or breakdown, grounding will reduce the risk of electric shock by providing a path of least resistance for the electric current.

This appliance is equipped with a cord having an equipment grounding conductor and a grounding plug. The plug must be plugged into an appropriate outlet that is properly installed and grounded in accordance with all local codes and ordinances.

WARNING !

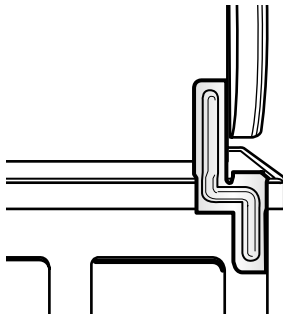
Improper connection of the equipment grounding conductor can result in a risk of electric shock. Check with a qualified electrician or a service person if you are in doubt as to whether the dryer is properly grounded.

Additional Grounding Procedure

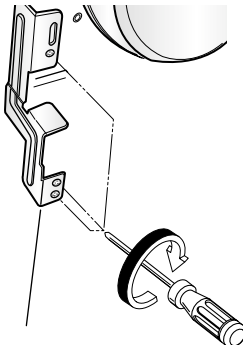
Some local codes may require a separate ground. In such cases, the required accessory ground wire, clamp and screw must be purchased separately.

Condensate Drain

The dryer can drain water without delivering to water container. Water is directly pumped out of the dryer.



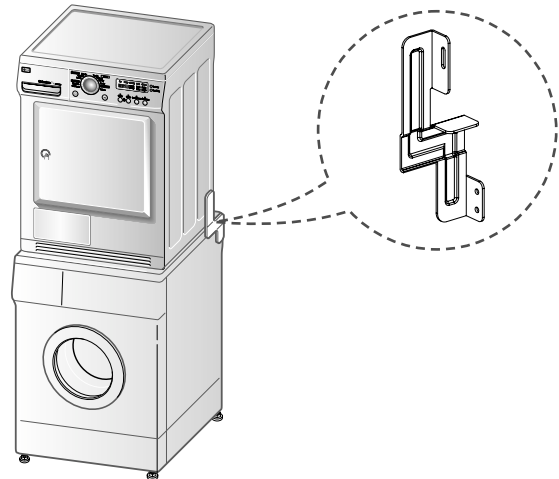
Installed Stacking kit - side view



Installed Stacking kit - rear view

Stacking Kit

In order to stack this dryer on a LG washing machine, a stacking kit is needed.

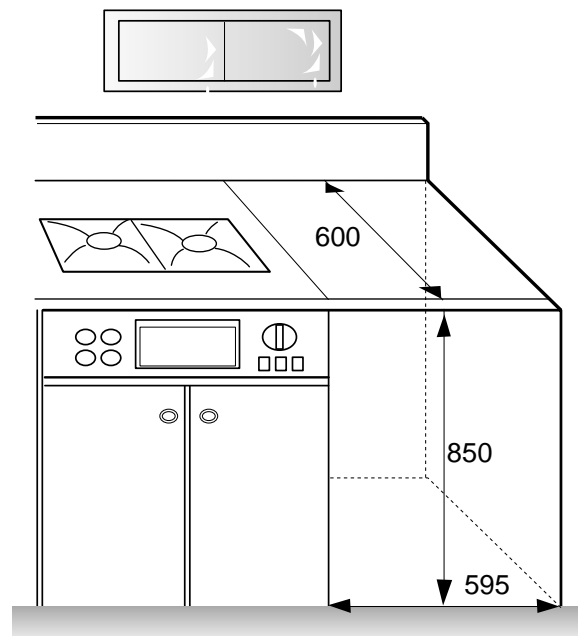


Built-in Installation

Your dryer can be built-in. You can fit the dryer under-counter in a kitchen cabinet opening. Opening dimensions are shown as follows.

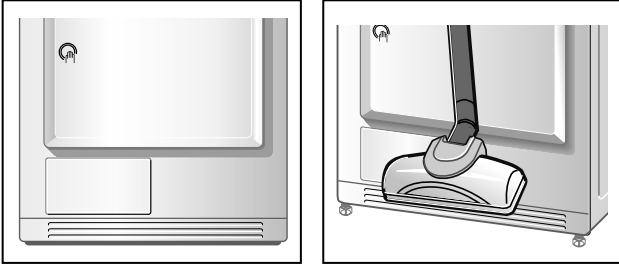
For your safety, metal cover must be tightly fitted.

This must be placed by an experienced service person and installed under a continuous worktop.



Front Ventilation Grille

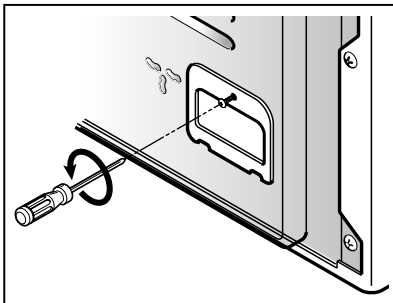
Vacuum the front ventilation grill 3~4 time a year to make sure there must be no build-up of lints or dirt which cause improper intake air flow.



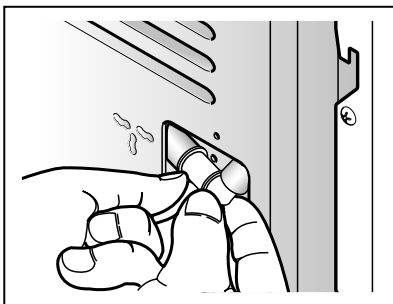
Condensed water Drain-out

Normally, condensed water is pumped up to water container where water is collected until emptied. Not only using water container, but water can be drained out directly to drain hose especially when dryer is stacked on top of washing machine. With connecting kit for drain hose, you can simply change water path and water reroute to the drainage facility. Please follow the below steps.

1. Unscrew cover.

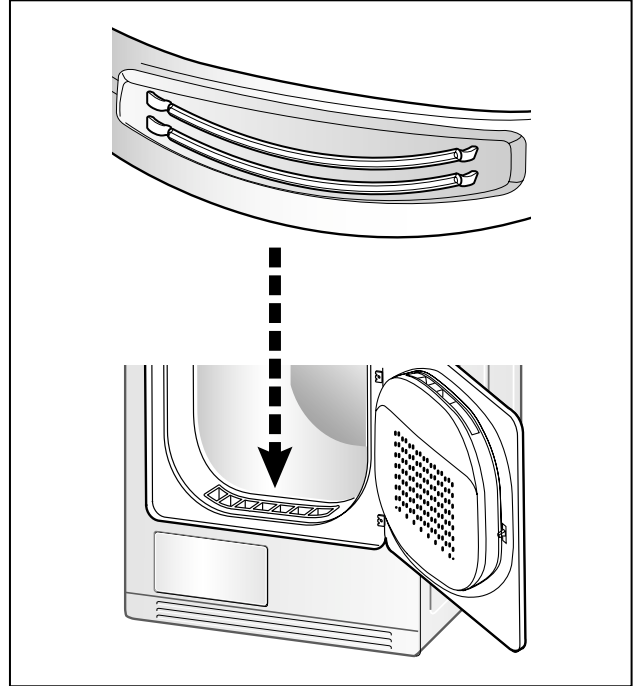


2. Take connecting kit out.

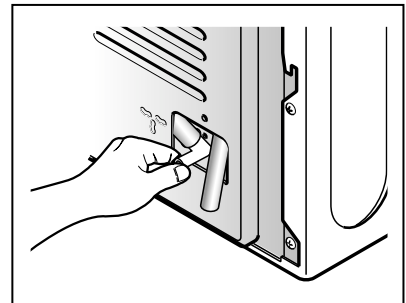


Moisture Sensor?

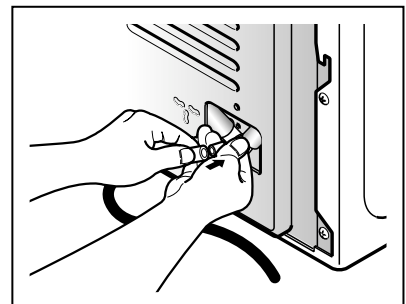
This device functions to sense the moisture remaining contents of the laundry during operation which means it must be cleaned all the time. The main reason of cleaning this part is to remove the build-up of lime scale on the surface of sensor. Wipe the sensors inside drum (Shown in the picture).



3. Separate water container hose from the kit.



4. Connect drain hose to the kit.



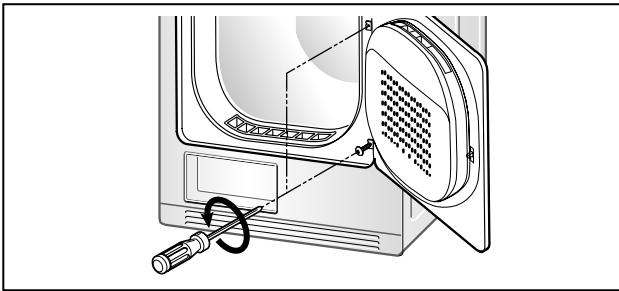
Reverse the door

The door can be reversed to fit to your own installation conditions. From the factory, the door hinge is located on the right side.

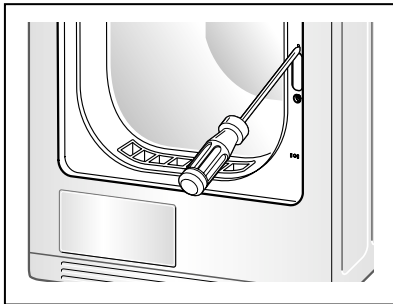
Caution !

1. This work may cause the injury of your hands so you must be careful to handle some sharp devices like torque screwdriver or slotted screwdriver.
2. When the door is reversed, the hand sticker on the door also must be replaced. Do not use a machine screwdriver.

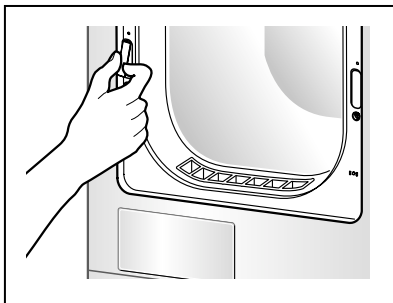
1. Unscrew the bottom hinge of the door first and top hinge. And then place on the blanket to prevent scratches.



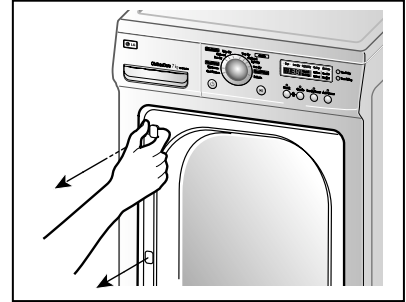
2. Remove the door lock cover.



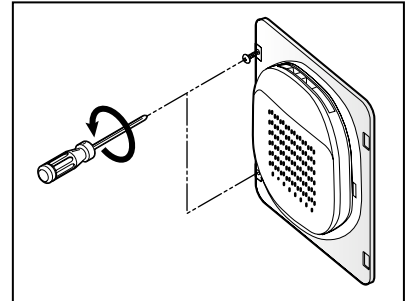
3. Remove the door lock and replace where door lock cover is



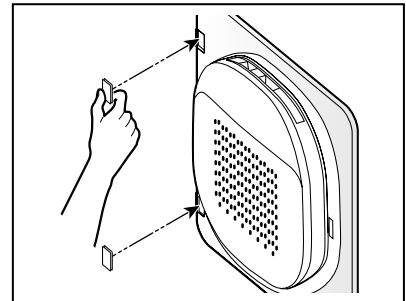
4. Detach both hinge point covers.



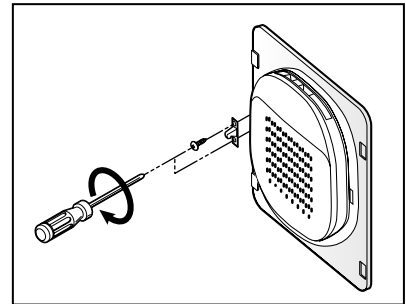
5. Unscrew two door hinges.



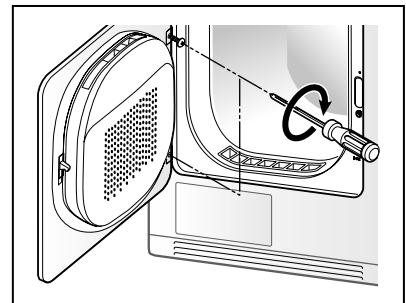
6. Replace both hinge point covers where door hinge is located.



7. Replace the door catch to the reverse location.



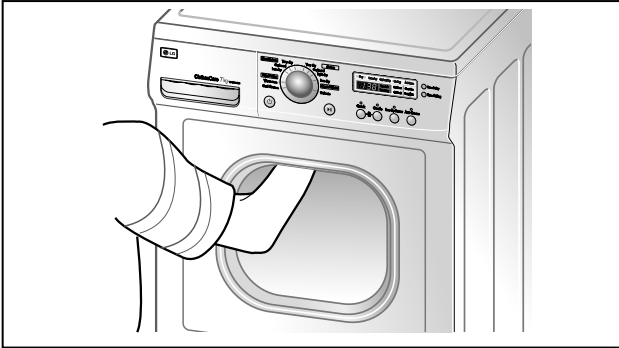
8. Screw the door hinges.



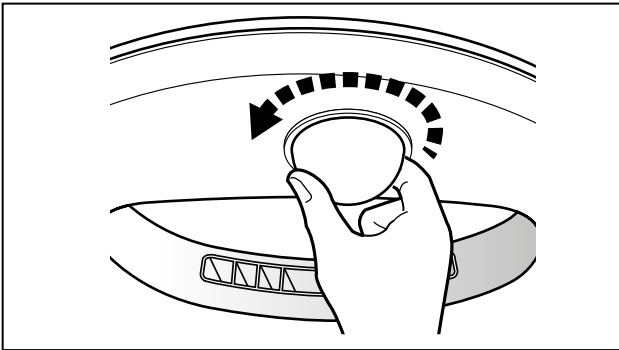
Change the Bulb

The bulb itself could be very hot when the dryer just finishes its operation. So before changing the bulb, be sure that the inside of the drum is cool down.

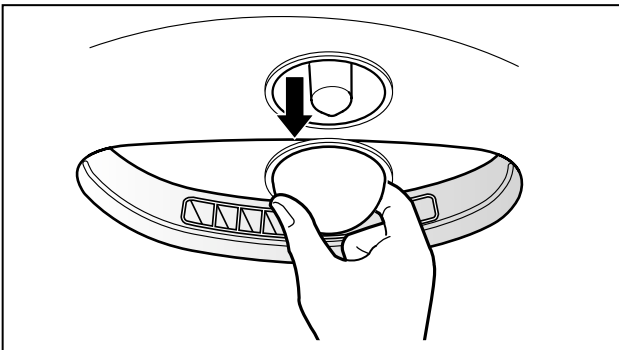
1. Open the door, put a hand into the drum and grasp a bulb cover.



2. With bulb held by a hand, turn the bulb to the clockwise direction with a certain amount of force.



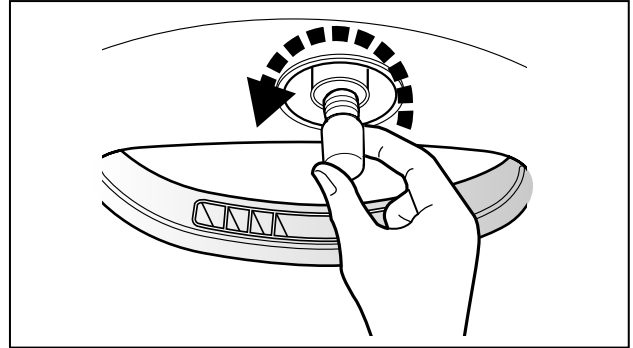
3. Separate bulb cover from the socket housing.



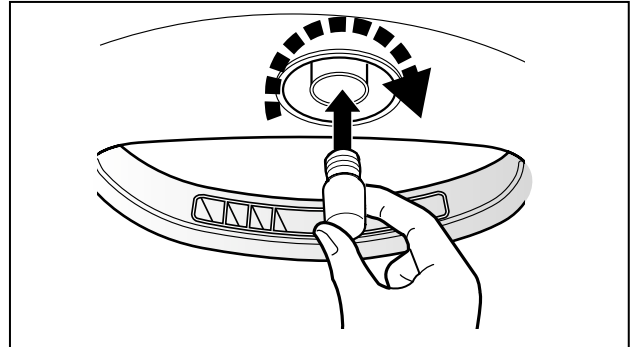
Caution !

Power cord must be unplugged before this work to avoid danger of electric shock.



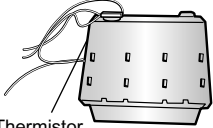


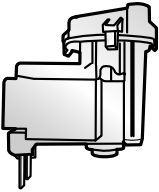
4. Remove the current bulb turning it to Counter clockwise direction.
Be careful that it does not fall off.

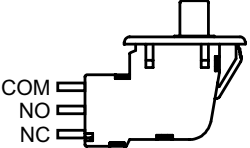
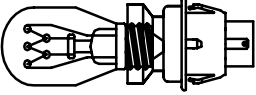


5. Screw in the new bulb in the reverse unscrewing direction.

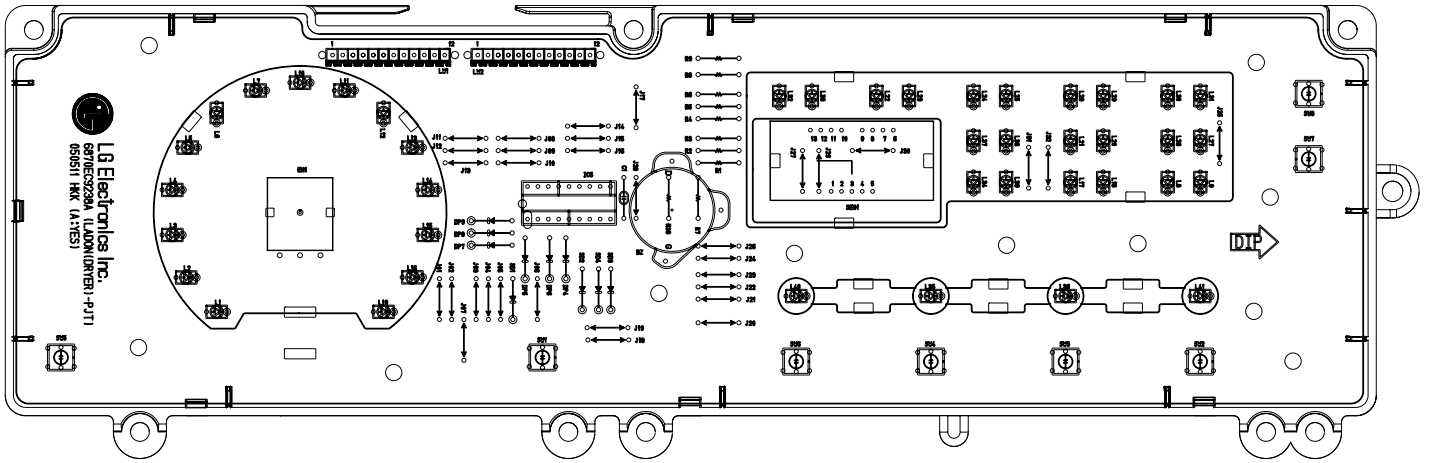


**Do not need any special tool for this work.
All steps can be done manually.**

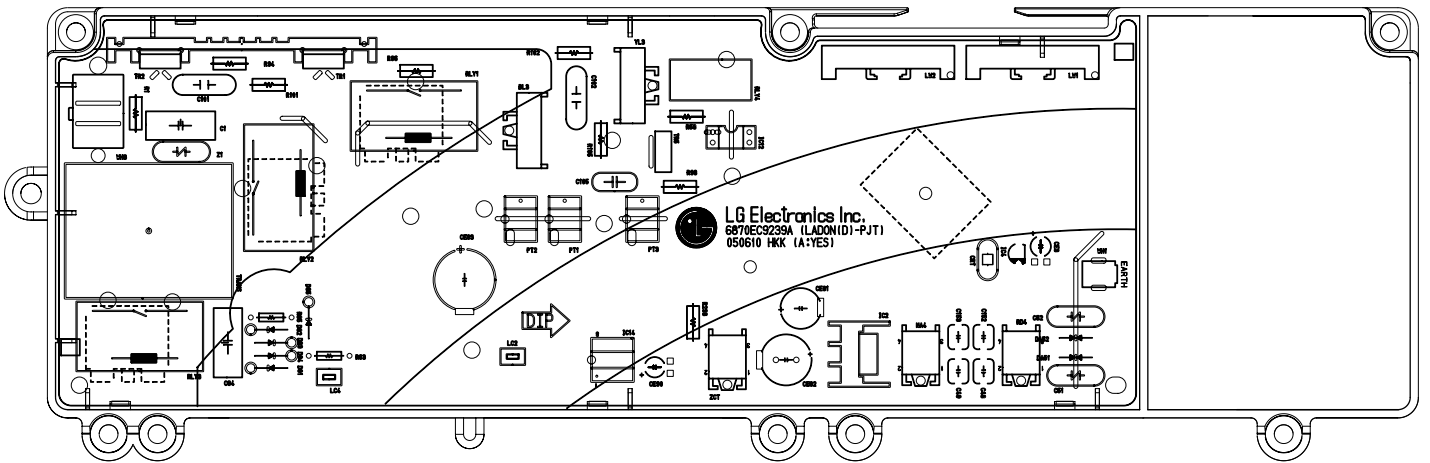
Component	Test procedure	Check result	Remark
1. Thermostat (Manual type) 	Measure resistance of Terminal to terminal 1) Open at 170°C (-10/+5°C)	Measure resistance by pressing button When resistance becomes ∞ Resistance value < 5 Ω	Safety Thermostat
2. Thermistor (Low temp.) 	Measure resistance of Terminal to terminal	Resistance value : 10K $\Omega \pm 5\%$ (at 25°C)	Cover, Front
3. Heater, Thermistor  Thermistor	Measure resistance of Terminal to terminal	Resistance value : Yellow/White : 28.96 $\pm 1 \Omega$ Blue/White : 56.29 $\pm 2 \Omega$	
	Measure resistance of Terminal to terminal	Resistance value : 200K $\Omega \pm 5\%$ (at 25°C)	Heater
4. Motor 	Measure resistance of Terminal to terminal	Resistance value : White/Blue : 24.8 $\pm 2.5 \Omega$ Blue/Red : 21.5 $\pm 2.0 \Omega$	
5. Capacitor 	Measure capacitance of Terminal to terminal	Capacitance value : 10 $\pm 0.2 \mu\text{F}$	
6. Pump 	Measure resistance of Terminal to terminal	Resistance value : 205 $\pm 10 \Omega$	

Component	Test procedure	Check result	Remark
7.Door S/W 	Measure resistance of the Following terminal 1) Door switch knob :open ① Terminal : "COM "- "NC " (1-3) ② Terminal : "COM "- "NO " (1-2) 2) Door switch push :Push ① Terminal : "COM "- "NC " (1-3) ② Terminal : "COM "- "NO " (1-2)	① Resistance value <math>< 1 \Omega</math> ② Resistance value $\div \infty$ ① Resistance value $\div \infty$ ② Resistance value <math>< 1 \Omega</math>	The state that knob is Pressed is opposite to open condition
8.Lamp holder 	Measure resistance of terminal to terminal	Resistance value : 80 Ω ~100 Ω AC 230V,15W	

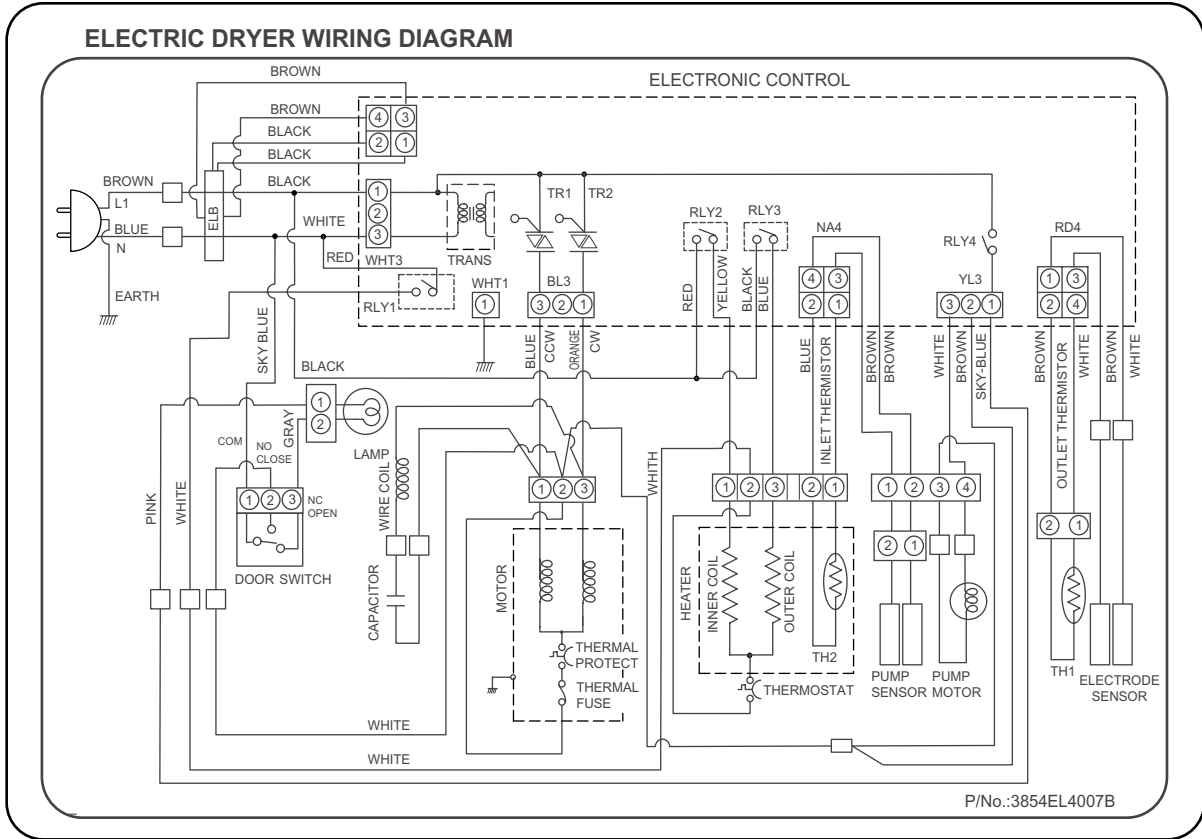
PWB ASSEMBLY DISPLAY LAY-OUT



PWB ASSEMBLY LAY-OUT



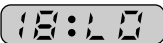
With ELB model



1. This TEST should be used for Factory test/Service test. Do not use this DIAGNOSTICTEST other than specified.
2. Activating the Heater manually with Door open may trip the Thermostat attached to the Heater, therefore do not activate it manually, (Do not press the door switch to operate the heater while the door is open)

Activating the diagnostic test mode

1. Unit must be in Standby (unit plugged in, display off)
2. Press “POWER” while pressing “Iron-dry Buzzer” and “Anti-crease” simultaneously .

Pressing the “START/PAUSE” button	CHECKING ACTION	DISPLAY	CHECKING POINTS	REMARK
None	Electric control		Check all LEDs for operation.	
Once	Motor	70~245 Measured Moisture Value	Motor run counterclockwise. Displays Moisture Sensor Operation:If moisture sensor is contacted with damp cloth. The display number is below 180, in normal condition.	
Twice	Motor	70~245 Measured Moisture Value	Motor run clockwise. Displays Moisture Sensor Operation:If moisture sensor is contacted with damp cloth. The display number is below 180, in normal condition.	
3 times	Motor + Heater 1	Current temperature	Motor run clockwise. Heater run(Display the temperature of low temperature thermistor located under door.)	
4 times	Motor+Heater 1 +Heater 2	Current temperature	Motor run clockwise. Heater run(Display the temperature of high temperature thermistor located in heater assembly.)	
5 times	Motor off + Pump on	Water level in sump	Pump run	
6 times	Motor	70~237 Measured Moisture Value	Motor runs Displays Moisture Sensor Operation:If moisture sensor is contacted with damp cloth.The display number is below 180, in normal condition.	
7 times	Motor & Heater off Buzzer On	ELE	ELB Sensor If ELB Sensor is in normal condition, “ELE” is displayed.	
8 times	Control Off		Auto Off	

Data Display

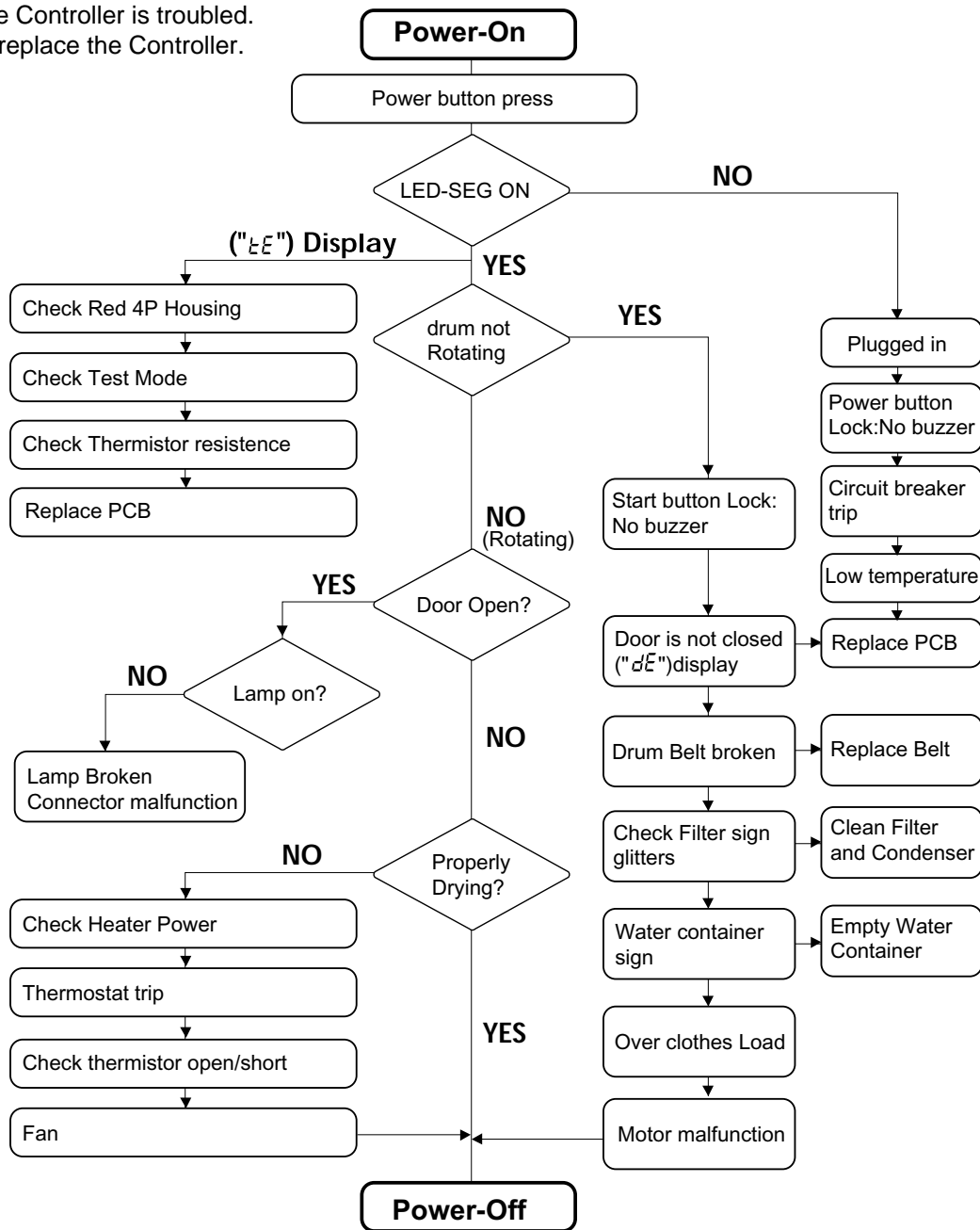
- Tested under normal operation mode.

- Press the “Quick” and “Anti-Crease” button as follows.

No.of Button pressing	Display
1 time	Moisture data
2 times	Temperature sensed by low temperature thermistor (located under door)
3 times	Temperature sensed by High temperature thermistor (located in heater assembly)
4 times	Remaining water data by water level sensor

Error Mode

- **dE** : LED displays “ dE ” in case of the door open. The door must be closed and start Button must be pressed for re-operation. (See the 22page)
- **EHE (ELE)**
 - Case 1. When black out or irregular current occurs.
 - After removing ELB Connector, operate full time 1Cycle.
 - Case 2. EHE (ELE) message expresses continuously because of aging items.
 - Change the old items.
- **EE** : The resistance of thermistor not normally out put.
 - Case 1. The Circuit of thermistor is troubled.
 - Repair the Circuit of thermistor.
 - Case 2. Thermistor is troubled.
 - Replace the Thermistor.
 - Case 3. The Controller is troubled.
 - Repair or replace the Controller.

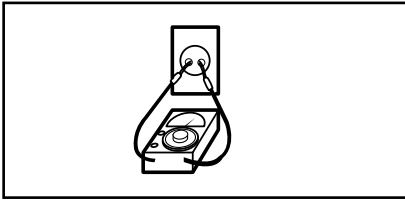


Test 1 : ELECTRIC SUPPLY & CONTROL CHECK

Trouble Symptom : No power to the dryer or the controller

Measurement condition : Power is on.

[Caution] Electric shock. Please test after grounding check.

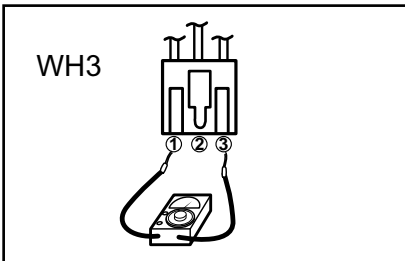


Power voltage is within standard range (AC 215V~245V)?

NO

- Check the - Circuit breaker

YES



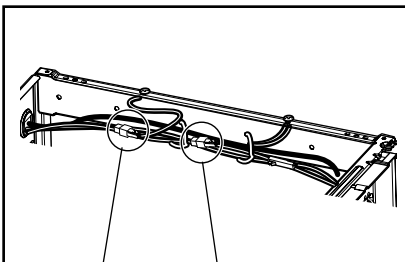
WH3

- Check after pulling white 3 pin connector out from controller.
- Check the range of white pin ①~③ is within AC 215~245V?

YES

- Check or replace the controller

NO

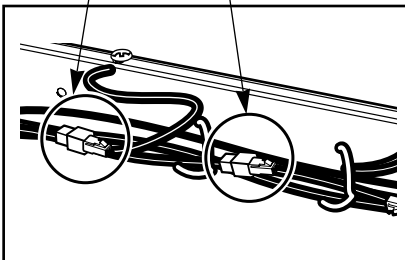


- Check connection of power cord and harness assembly.
- Check white 1pin-black 1pin of connector and secure that range is between AC 215~245V?

NO

- Check or replace the power cord

YES



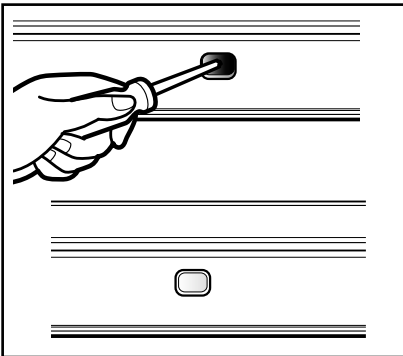
Check the short of harness assembly(white and white wire) and the connection(WH3)

※ In the case that the dryer is not working, when controller is powered and display button is properly working, Check RLY1 in the controller.

Test 2 DOOR SWITCH / LAMP CHECK

Trouble Symptom : Malfunction of lamp operation and door switch
 No operation of pump motor
 Displays “ dE ” in case of the door closed.
 The door must be closed and start.

Measurement condition : Check if they are working while being connected to power supply.



When door is opened, lamp turns on?
 (Tumbling stops)

NO

Check door switch movement.
 - See the left picture.
 Check and replace lamp.
 - See the x page

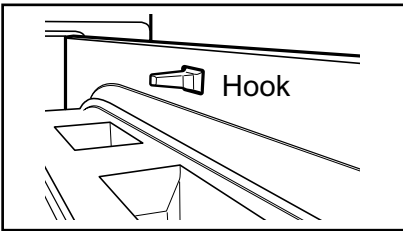
YES

When door is closed, lamp turns off?
 When "Start" button is on, the dryer is working?

YES

• Door switch is working normally.

NO

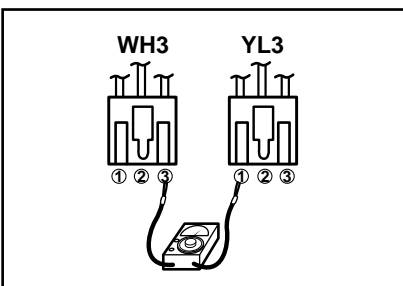


When door is opened or closed, door switch hook is not broken?

YES

• Replace door hook and close the door.

NO



• With door closed, check voltage of connector WH3 ③ and YL3 ① which are pulled out from controller in advance. The voltage range is between AC 215~245V?

NO

• Door frame is distorted
 • Check door switch
 - See x page

YES

Check or replace Controller Assembly
 Replace Harness and connector

Check the short of harness assembly(white and white wire) and the connection(WH3)

• With door closed, check voltage of connector WH3 ③ and YL3 ① which are pulled out from controller in advance. The voltage range is between AC 215~245V?

NO

• Check Harness

YES

• Check and replace Controller

Test 3 Motor check

Trouble Symptom : Motor malfunction, ventilation error

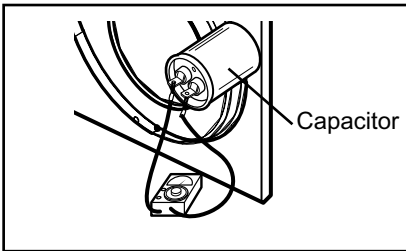
Measurement condition : • Power cord is unplugged.
 • Door is closed.
 • Pre-Check door switch
 (If door switch has contact problem, pump motor is not working.)

• When power is on, motor is rotating.

YES

• Check or replace Controller
 - TR1, TR2 broken

NO



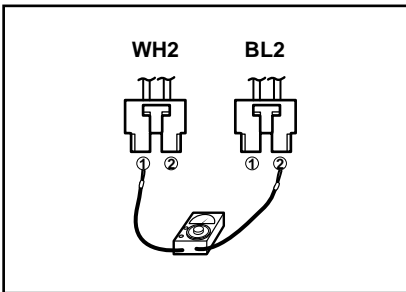
Capacitor

• During operation, motor noise is generated. And drum and blower are not working.

YES

• Check Capacitor volume.
 - See component test page.
 - See the left picture.
 • Check belt is burst.
 • Check structural restriction.

NO



With WH2, BL2 being unplugged from Controller,
 ①WH2 ①- BL2 ① resistance
 ②WH2 ①- BL 2 ② resistance
 measurement ranges 18 Ω~26 Ω ??

NO

• Check or replace Motor
 - Check Motor TP
 • Check Harness connection

YES

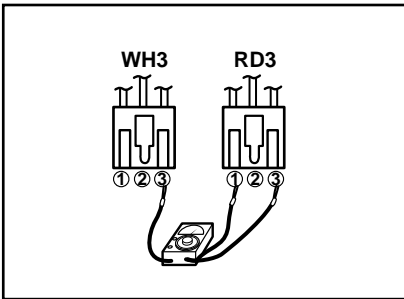
• Check controller
 - See page 15
 (PCB Assembly Lay-out)

Test 4 Heater check

Trouble Symptom : Motor malfunction, ventilation error

Trouble Symptom : Heater is not working. Drying failure. The designated temperature is not reached.

Measurement condition : ① Power cord is unplugged.

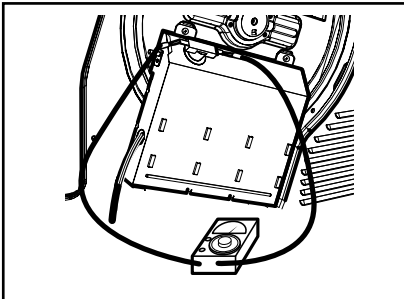


With WH3, RD3 disconnected from Controller,
 ① WH3 ③ - RD3 ① resistance ranges 26 Ω~32 Ω ?
 ② WH3 ③ - RD3 ③ resistance ranges 53 Ω~59 Ω ?

YES

- Check and replace controller.
- Relay RTY2, RTY3
- See page 15, PCB assembly lay-out.

NO



When check thermostat to Heater,
 it is less than 1 Ω?

YES

- Replace Heater
- Check Harness connection

NO

Manually get Thermostat back (Press button)

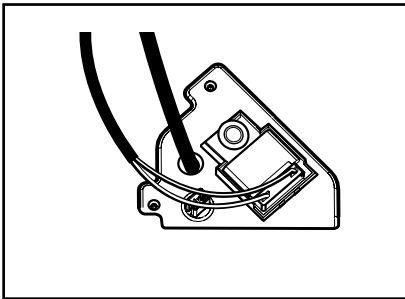
Heater On/Off occurs frequently

1. Clean Condensing unit :
2. Check if Lint filter is damaged or clogged

Test 5 Pump check

Trouble Symptom : Check if pump is out of order. "Empty water" Error signals.

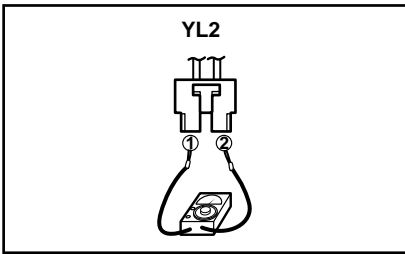
Measurement condition : Power cord is unplugged.



(Measure with power on)
On QC test mode, when Pump is on,
Electric noise doesn't occur
Electric noise doesn't occur while pumping?



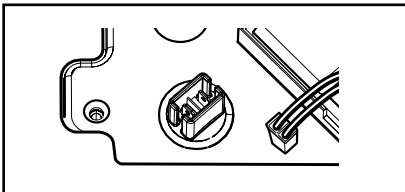
- Disassemble Pump
- Check foreign objects
- Check impeller restriction
- Check connection hose clogged



(Measure after power is off.)
With YL2 disconnected from Controller,
YL 2 ① -YL 2 ② resistance ranges $205 \pm 10 \Omega$?



- Check or replace pump
- Check Harness connection

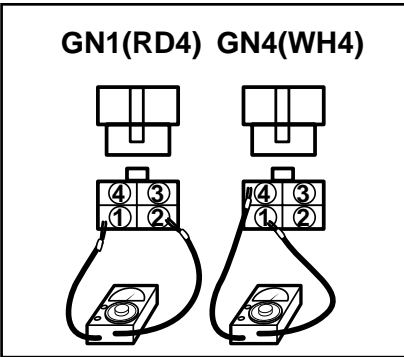


- Check Pump sensor
- Check and replace Controller -TR3

Test 6 Thermistor check

Trouble Symptom : Poor drying performance (over-drying or no drying). Abnormal thermistor operation.

Measurement condition : Power cord is unplugged.



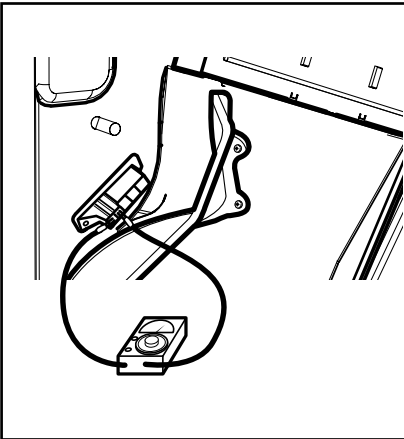
With CN1(RED4), CN4(WH4) disconnected from Controller, check

- ① TH-Heater
CN4 ② - CN4 ① resistance ranges table data according to surrounding temperature?
- ② TH-Drum
CN1 ① - CN1 ④ resistance ranges table data according to surrounding temperature?

YES →

- Check and replace Controller

NO ↓



- When measuring "TH-Heater" Thermistor, they range Table data ?

NO →

- Replace "TH-Heater" Thermistor

YES ↓

- When measuring "TH-Drum" Thermistor, they range Table data ?

NO →

- Replace "TH-Drum" Thermistor

YES ↓

- Check Harness

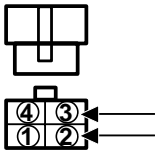
Dryer Temperature	Resistance		Dryer Temperature	Resistance		Remark
	TH-Heater	TH-Drum		TH1	TH2	
10°C		19~111kΩ	40~50°C	113~75kΩ	5~4kΩ	
20~30°C	250~180kΩ	11~8kΩ	50~60°C	75~50kΩ	4~2.5kΩ	
30~40°C	180~113kΩ	8~5kΩ	60°C	50kΩ	2.5kΩ	

Test 6 Thermistor check

Trouble Symptom : Drying Failure

Measurement condition : Power cord is unplugged.

GN1(RD4)

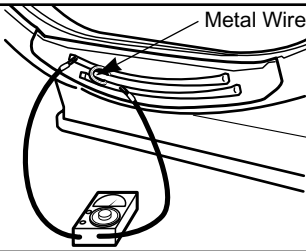


With CN1(RED4) disconnected from Controller, CN1 ③ -CN1 ② resistance is unlimited?

NO

- Check Harness
- Check if Sensor tips have foreign objects
- Refer to the left picture

YES

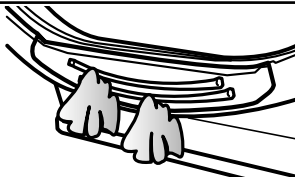


With metal tape attached to Sensor tips, CN1 ③ -CN1 ② resistance is less than 10 Ω?

NO

- Check Harness
- Open, Connector is disconnected

YES



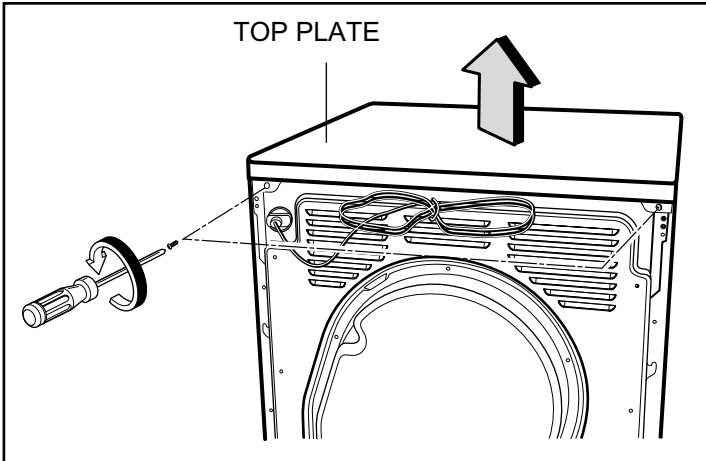
After damp clothes touch Sensor tips, the range are within the below table when QA-test?

NO

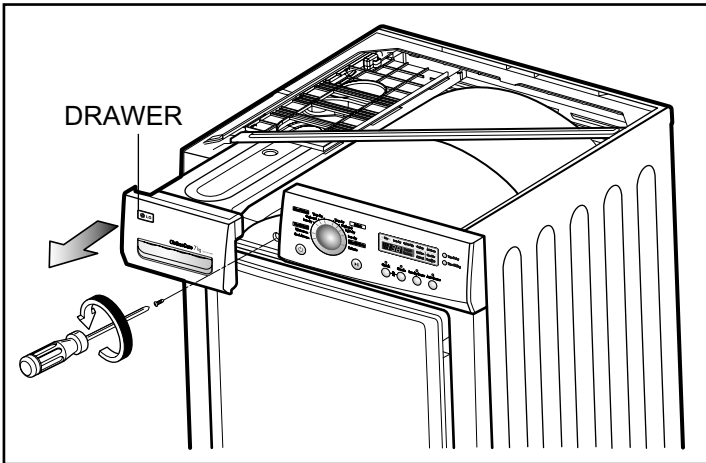
- Check and replace Controller

* IMC	DISPLAY	NOTE
40% ~ 60%	50 ~ 130	After Spinning
5% ~ 20%	100 ~ 200	Iron dry
-3 ~ +5 %	205 ~ 240	After normal dry

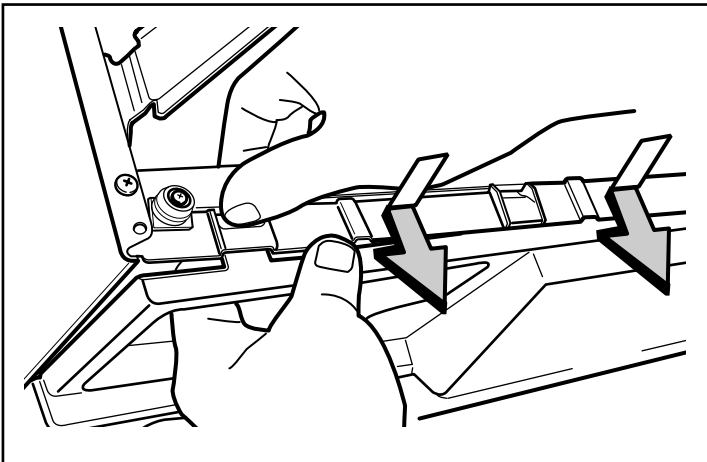
* IMC : Initial Moisture Contents.



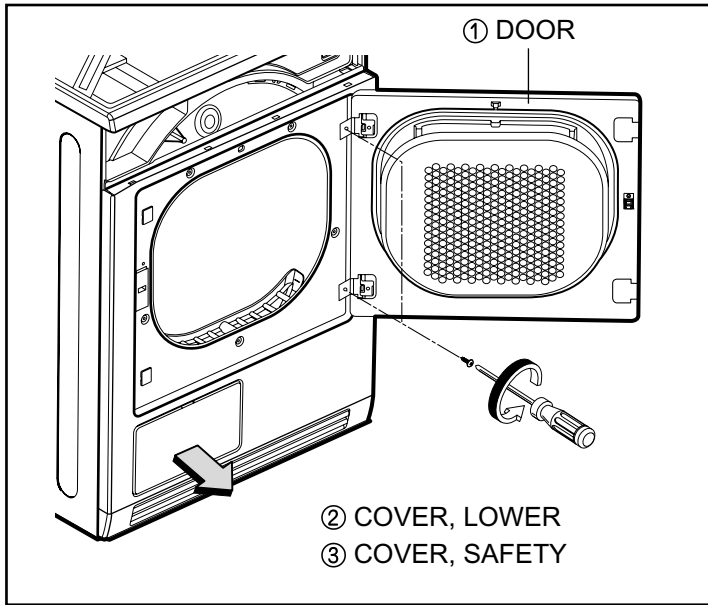
1. Disassemble top plate by unscrewing 2 screws on the rear of the dryer.



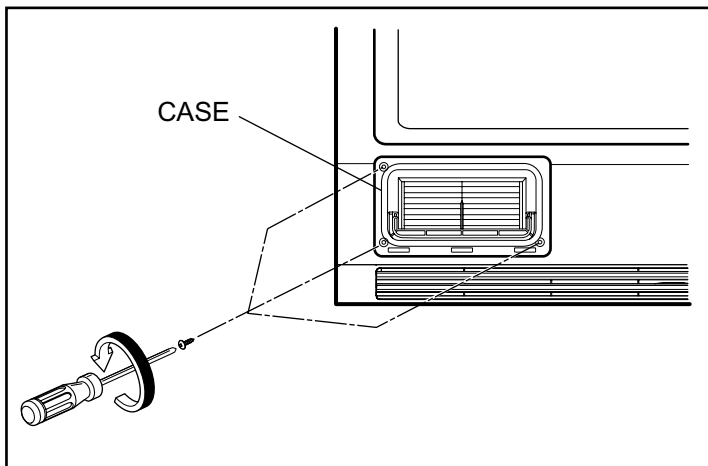
2. After pulling drawer assembly out, unscrew 1 screw.



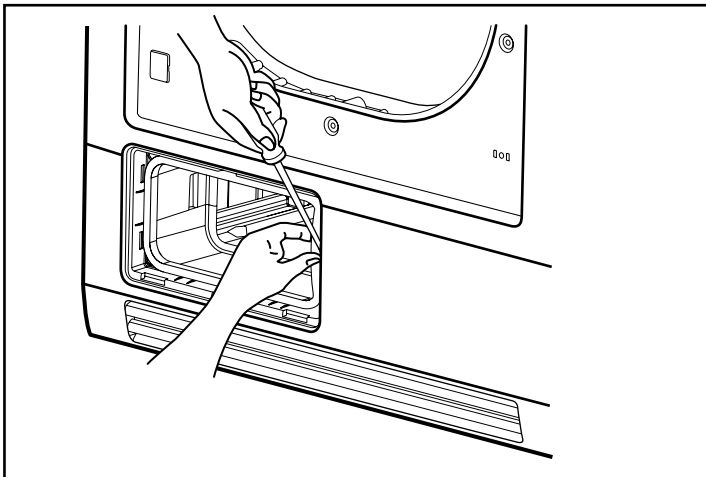
3. After releasing 4 hooks of control panel assembly, separate connectors from PWB assembly for disassembling control panel assembly.



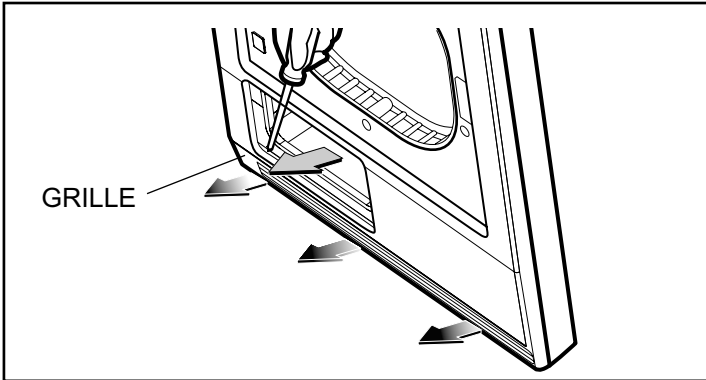
- 1-1. Disassemble door assembly by unscrewing 2 screws.
- 1-2. Disassemble lower cover by releasing hook.
- 1-3. After releasing 2 levers, disassemble safety cover.



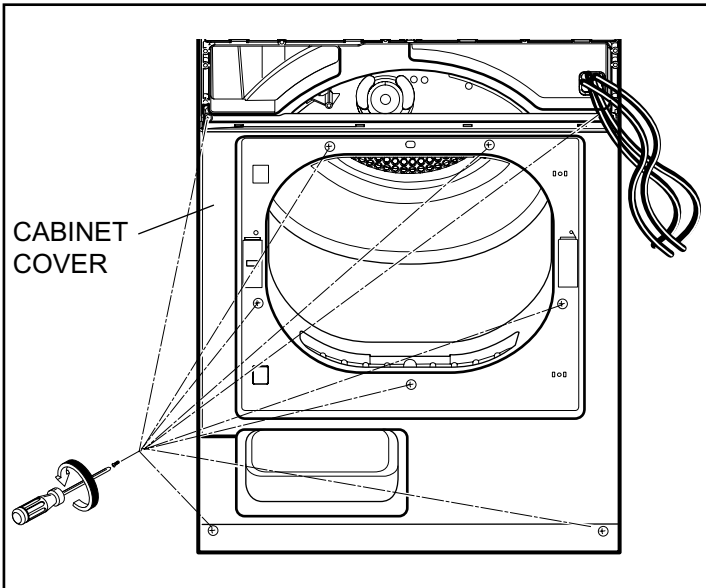
2. Disassemble 3 screws.



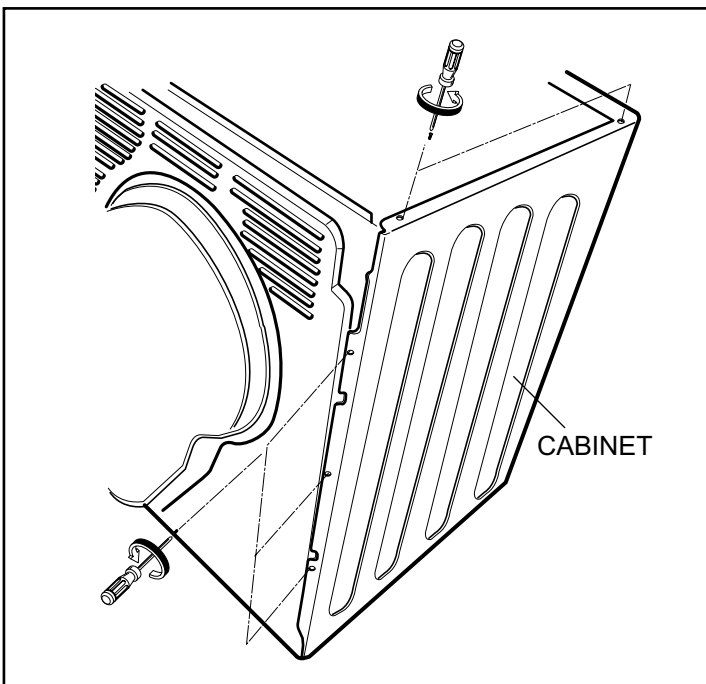
3. Disassemble the case with a Philips driver by releasing hook.



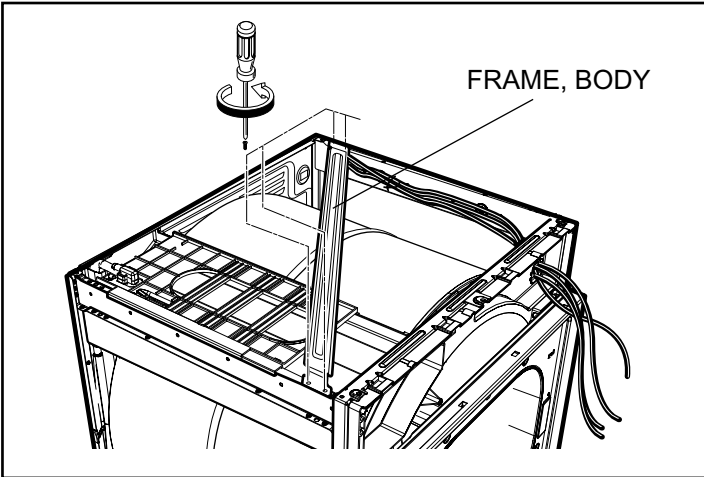
1. Disassemble grille by releasing 3 hooks.



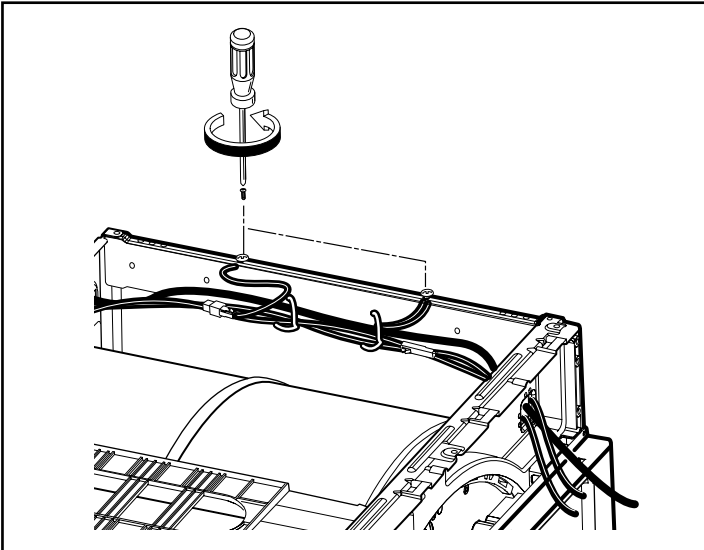
2. Disassemble cabinet cover by releasing 9 screws.



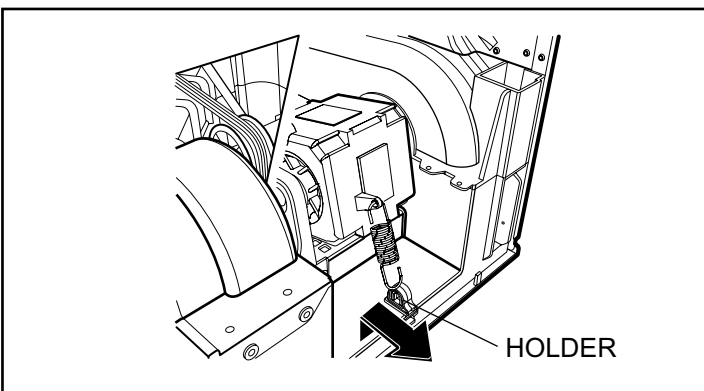
3. Disassemble cabinet by unscrewing 2 at the top and 3 at the rear (left and right are the same)



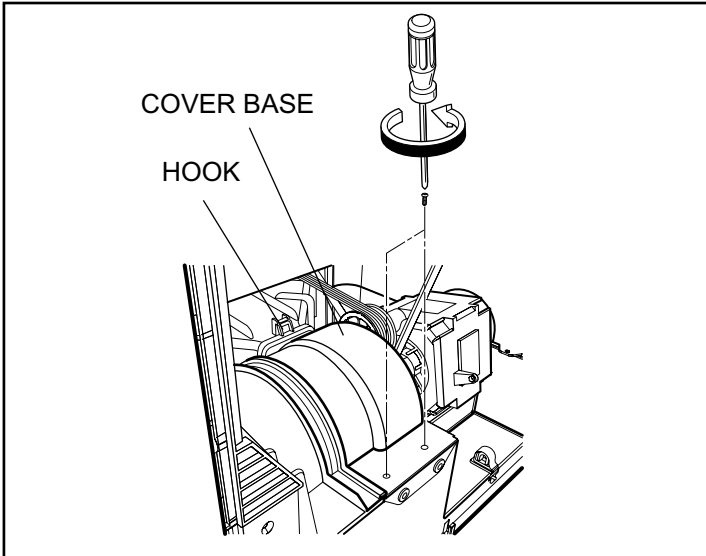
1. Disassemble Body frame by unscrewing 4 screws.



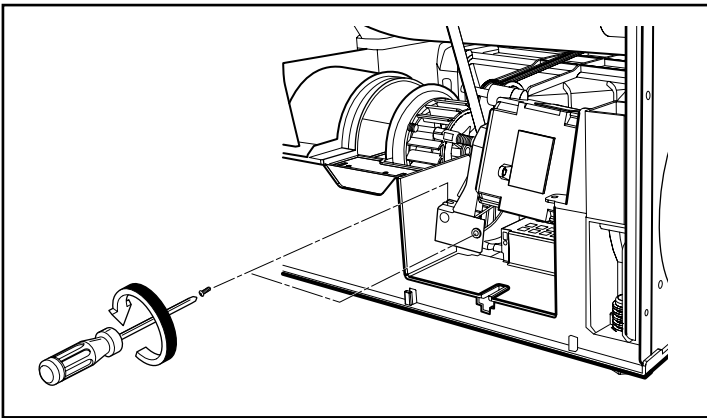
2. Disassemble Harness by unscrewing 2 Earth screws and disassemble connectors.



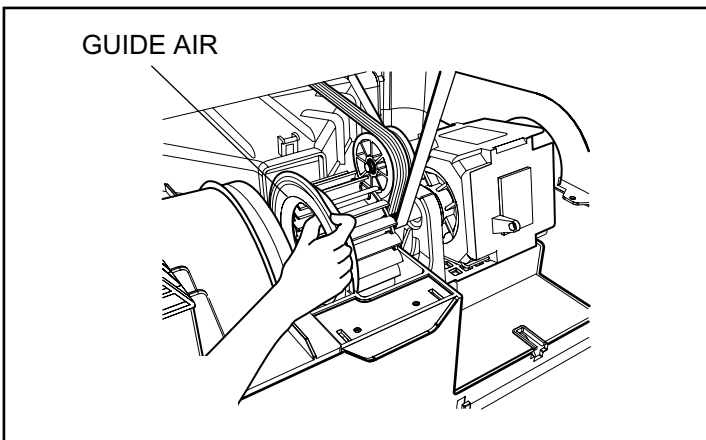
3. Disassemble Holder and Spring by pressing down and pulling the low hook of holder.



1. Disassemble Blower cover by unscrewing 2 screws.
(Note : Make sure that hook is properly fit after assembling Cover Base Wrong assembly will cause abnormal noise.)



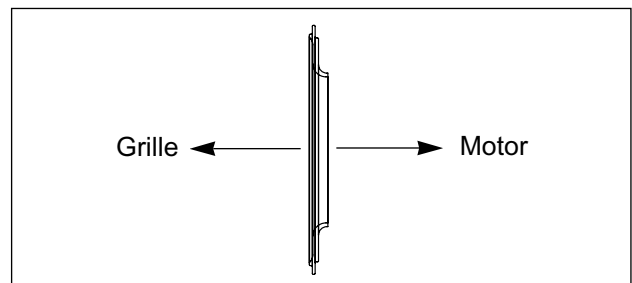
2. Disassemble Motor Supporter from Base by rotating after unscrewing 2 screws.

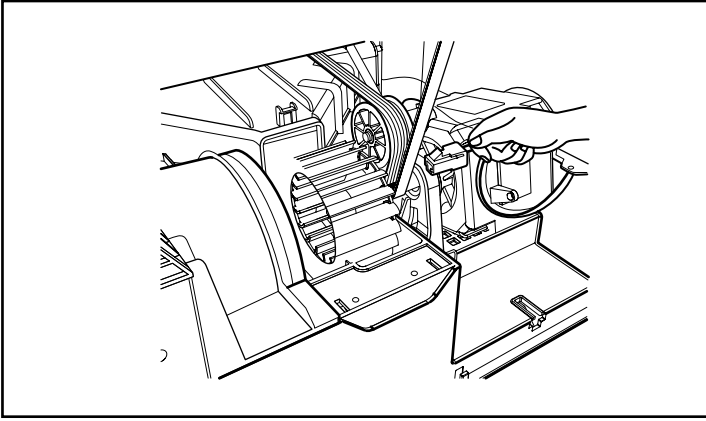


- 3-1. Disassemble Air Guide.

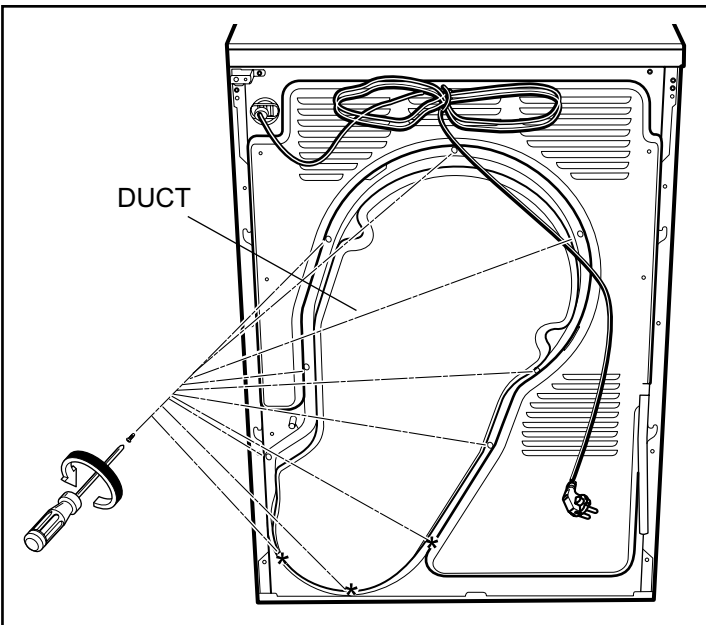
Note !

Assembly direction of Air Guide should be same as belows.
Wrong assembly will cause abnormal noise.





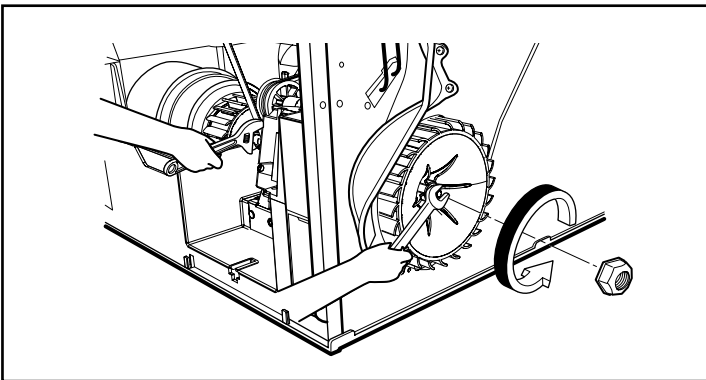
1. Disassemble Harness of Motor



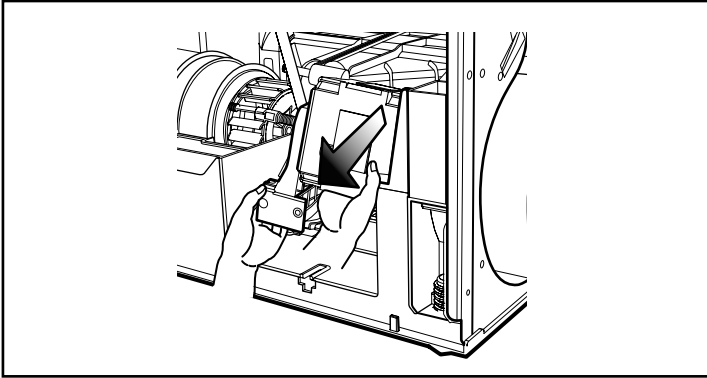
2. Disassemble Duct by unscrewing.

Note !

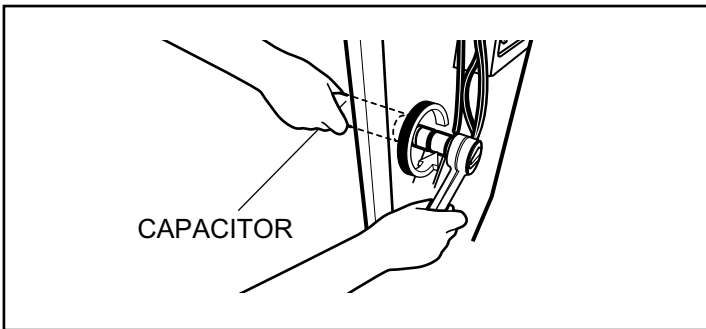
"*"marked 3 screws on the lower position of Duct are only used for molding parts. Be careful of not using them for other holes. Otherwise, the holes will be exposed to water leak.



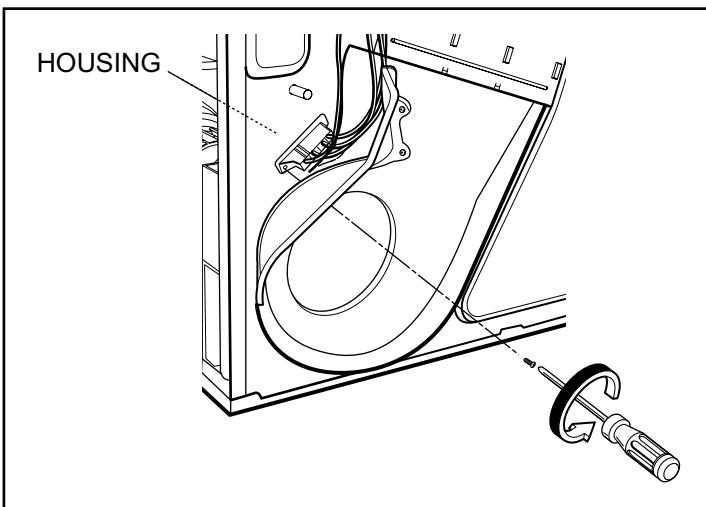
3. Disassemble Nut by grasping the edge of left motor shaft at the same time.



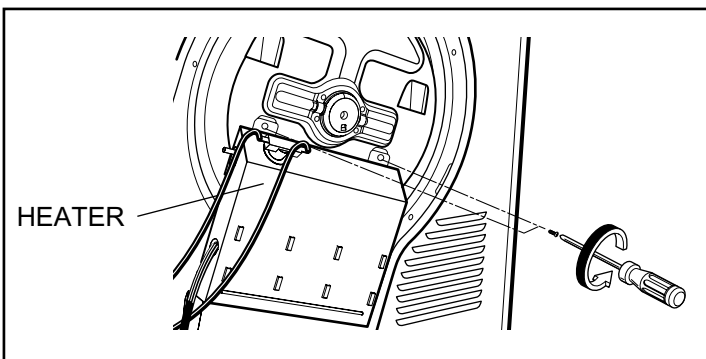
1. Disassemble Motor.



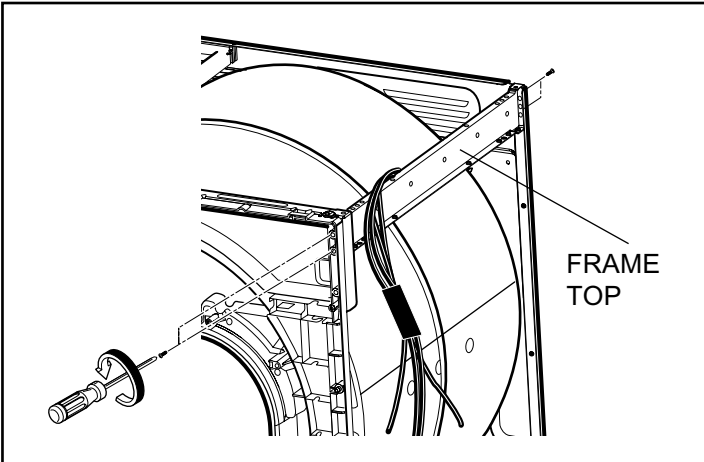
2. Disassemble Capacitor by unscrewing Nut.



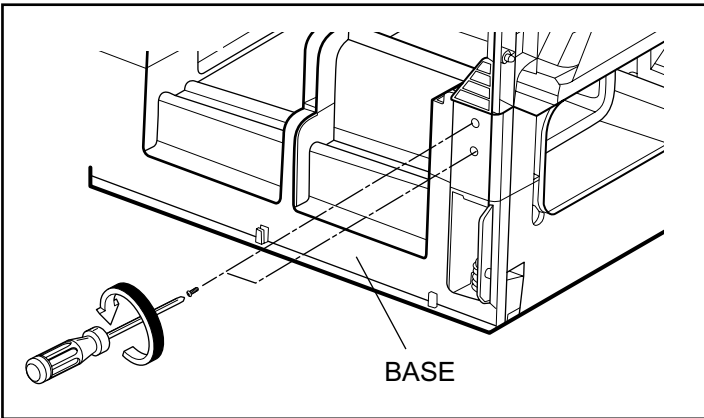
3. Disassemble Heater Housing by detaching inner Connector harness and unscrewing.



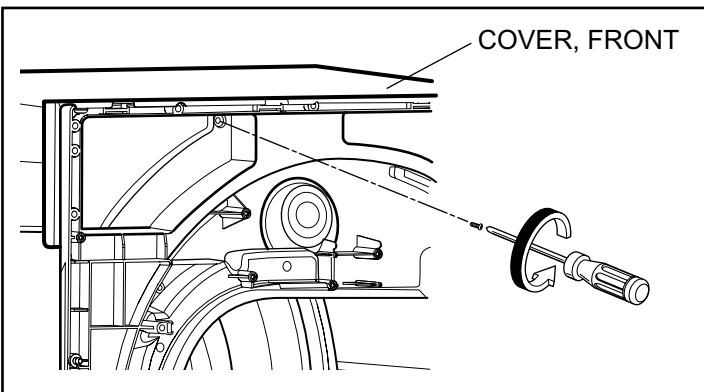
4. Disassemble Heater by unscrewing 2 screws.



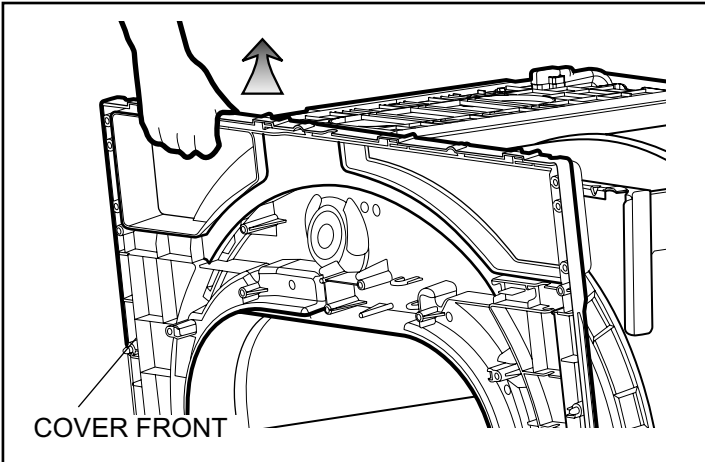
1. Disassemble Frame Top by unscrewing 4 screws. (Left and right are same)



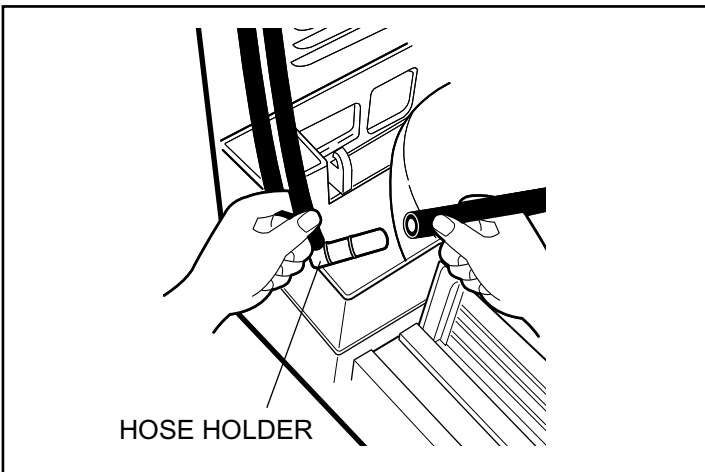
2. Unscrew 4 screws at the left and right.



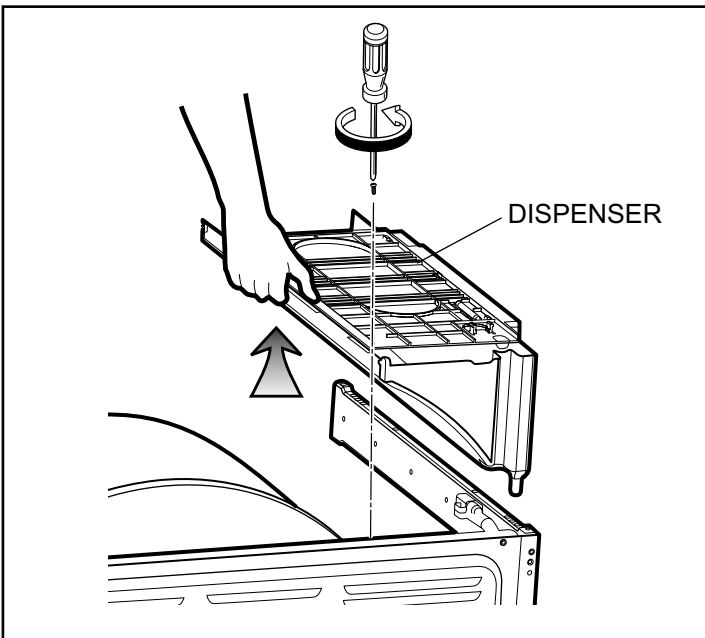
3. Unscrew 1 screw at the front.



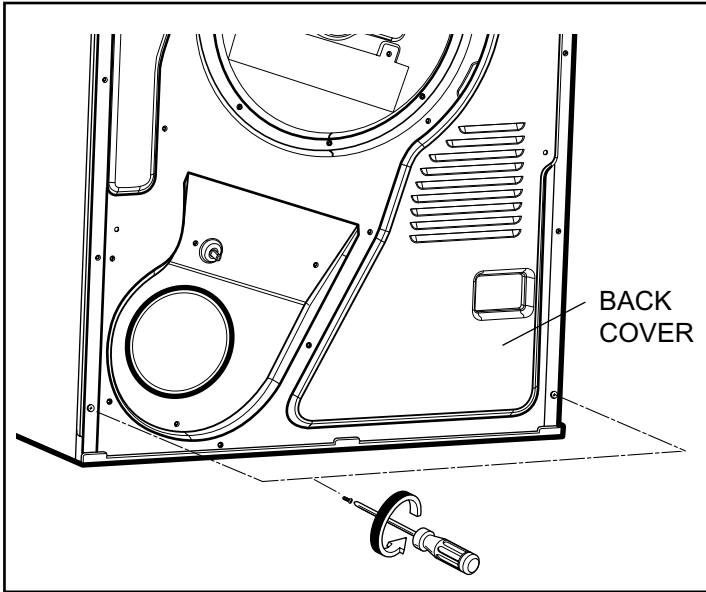
1. Disassemble Cover Front by pulling the top area out.



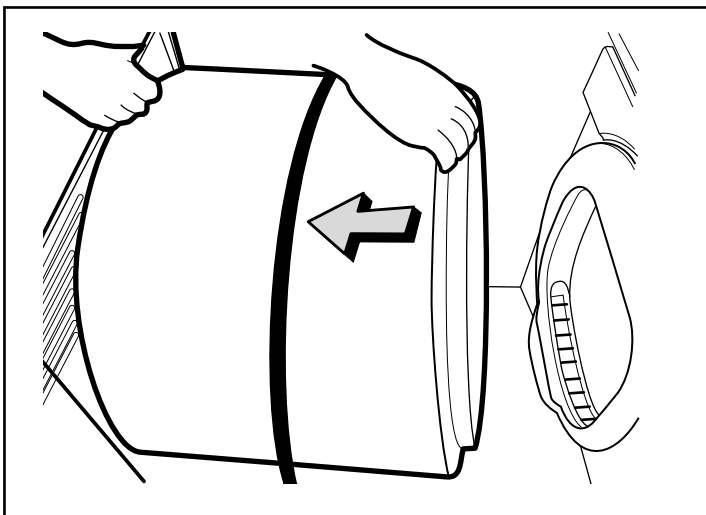
2. Disassemble Hose from hose holder at the base.



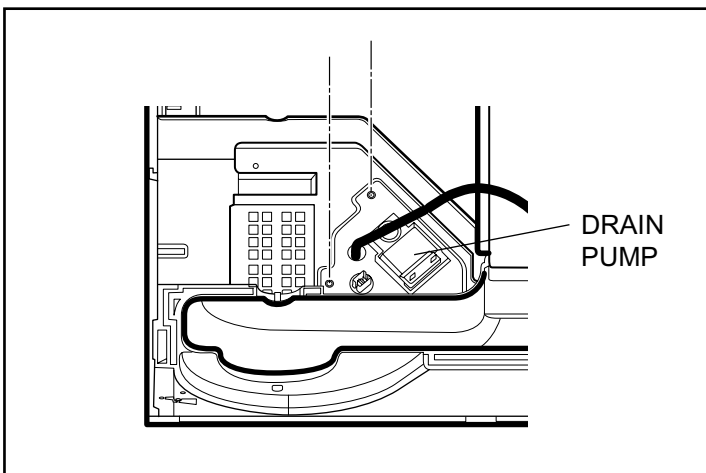
3. Disassemble Dispenser by unscrewing.



1. Disassemble Back cover from the Base by unscrewing 2 screws.



2. Disassemble Drum

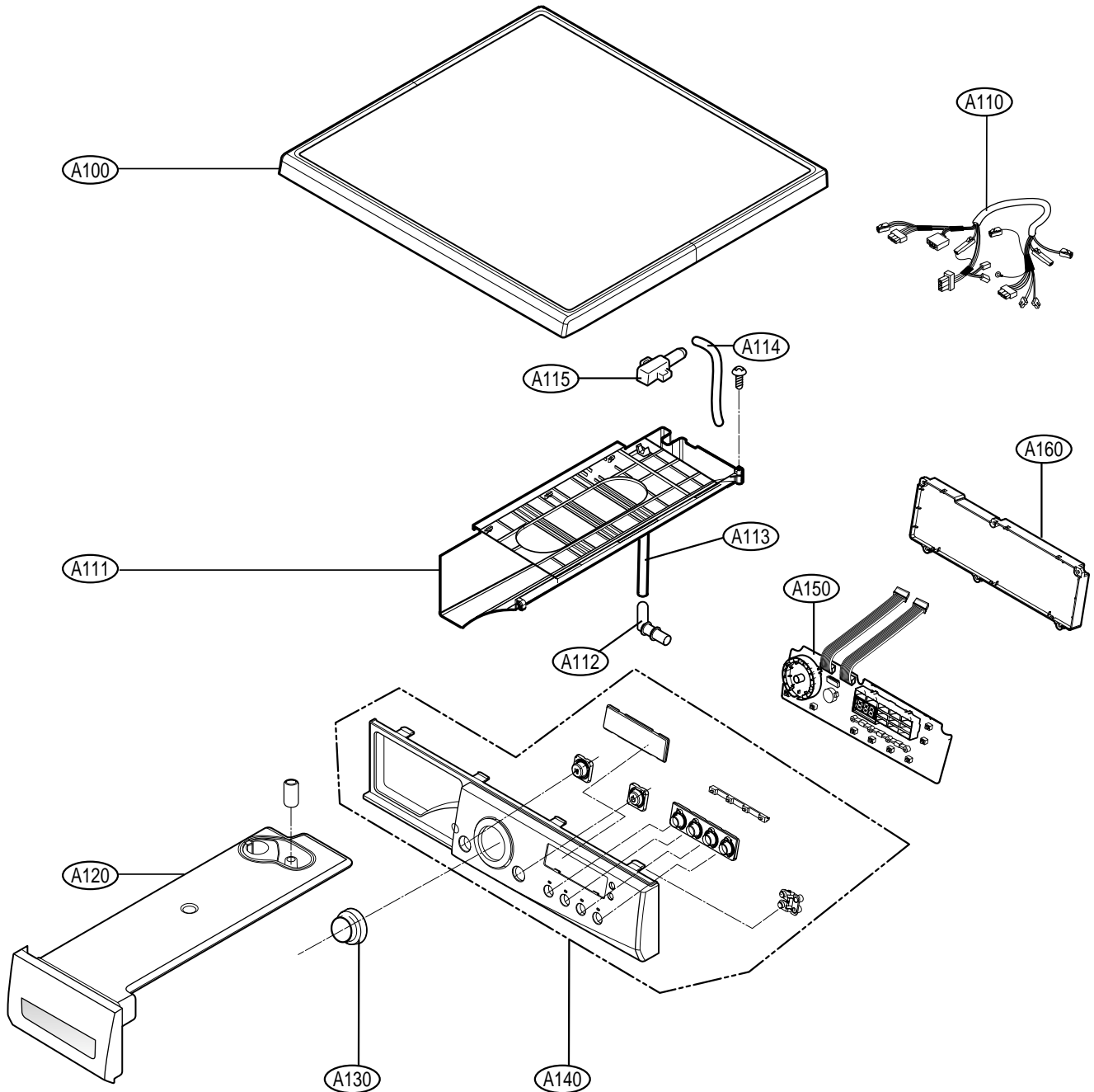


3. Disassemble Drain Pump by unscrewing 2 screws.

● Control Panel & Top plate Assembly

○ : NON SVC Parts

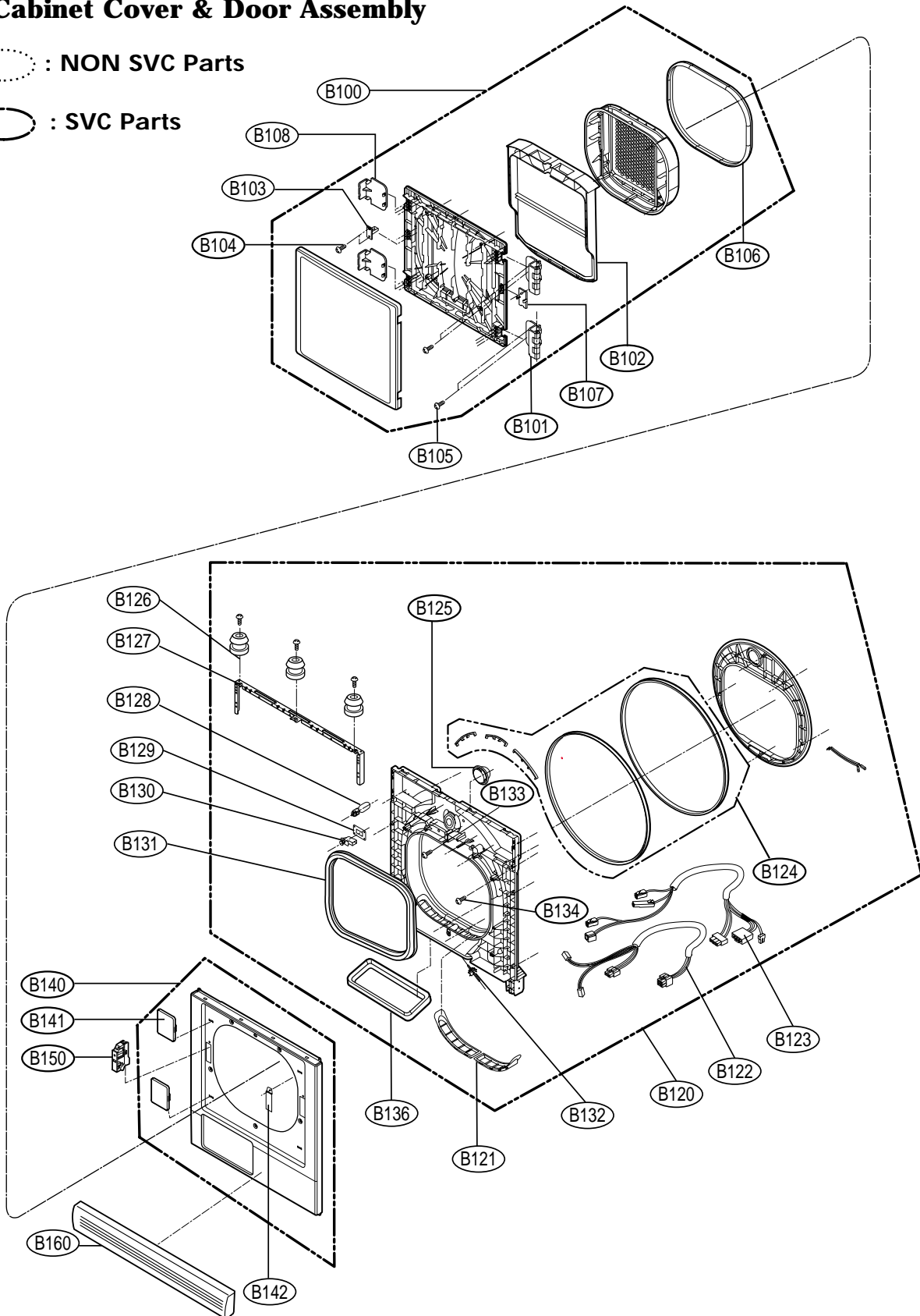
○ : SVC Parts



Cabinet Cover & Door Assembly

○ : NON SVC Parts

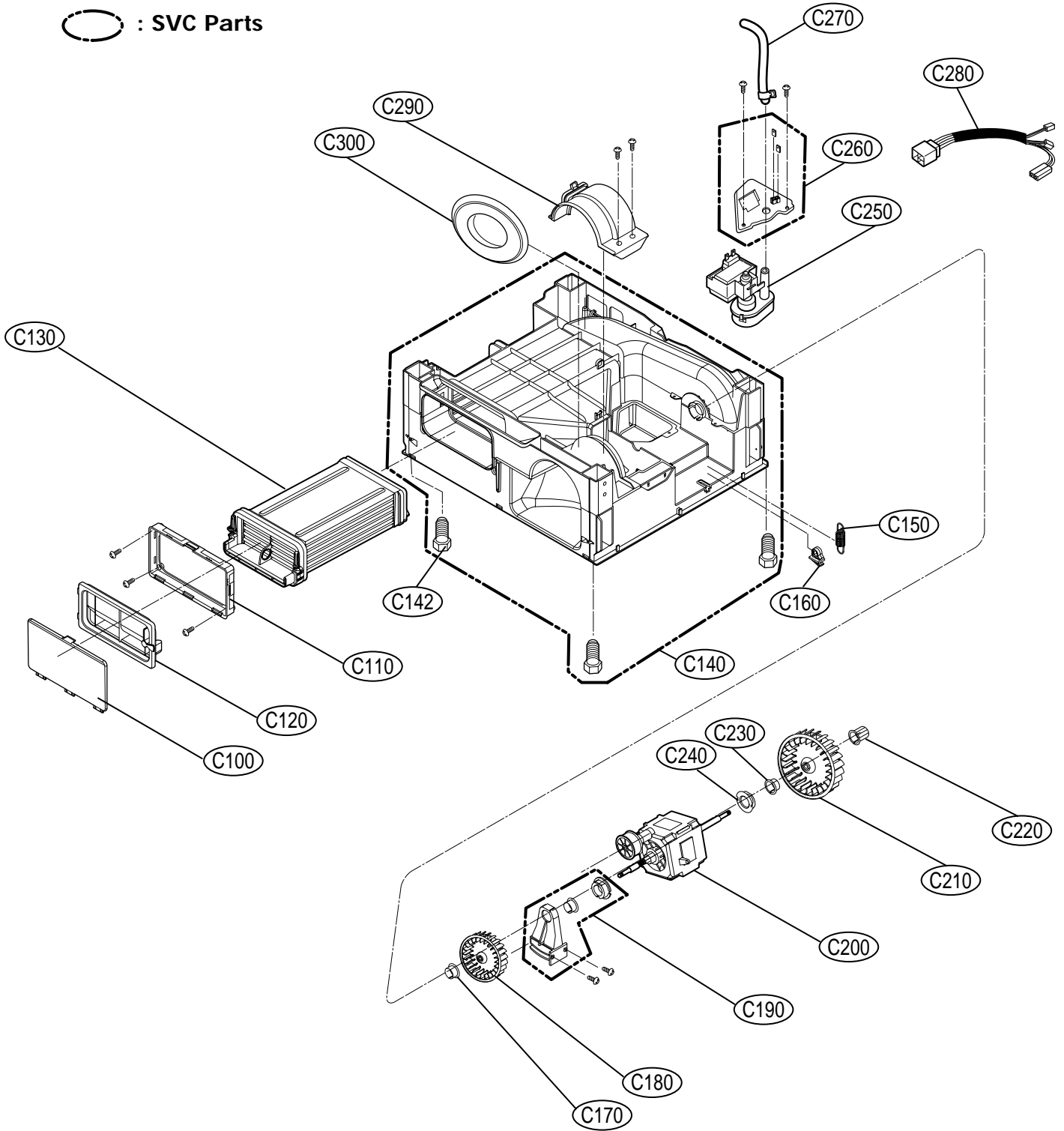
○ : SVC Parts



● **Base & Motor Assembly**

○ : NON SVC Parts

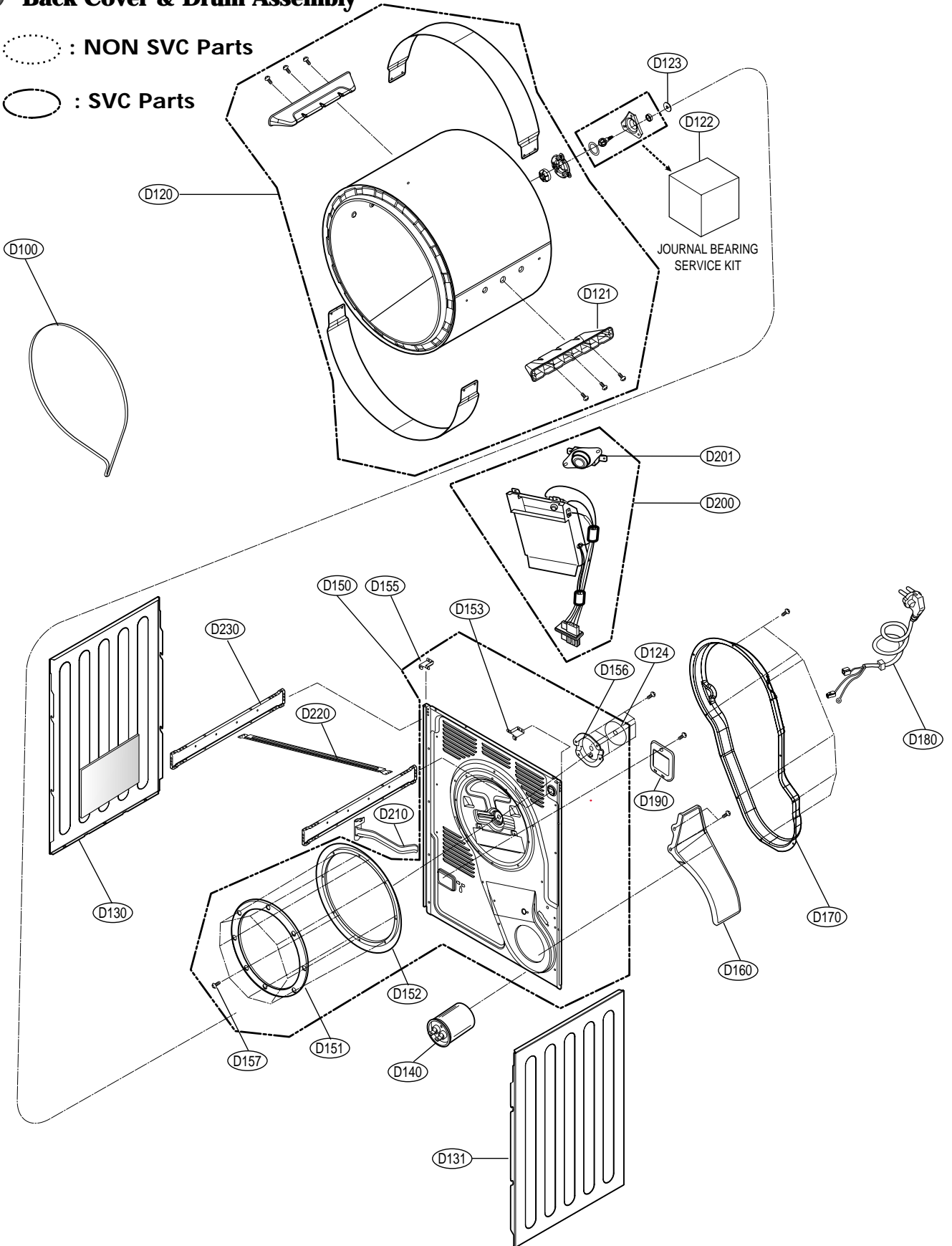
○ : SVC Parts



● Back Cover & Drum Assembly

○ : NON SVC Parts

○ : SVC Parts



REPLACEMENT PARTS LIST

CAUTION : Before replacing any part of these components read carefully the safety precautions in this manual

- Nate : S (Safety Parts), AL (Alternative Parts)
- LG MODEL : TD-C70140E

LOC	DESC	TD-C70140E	QTY	REMARKS
A100	TOP PLATE ASSEMBLY	3301ER1001F	1	
A110	HARNESS, PWB	6877EL1016A	1	
A111	DISPENSER	4924EL1001A	1	
A112	CONNECTOR (MECH), HOSE	4932EL3001A	1	BASE
A113	HOSE, PUMP	5214EL3001C	1	OVER FLOW
A114	HOSE, PUMP	5214EL3001B	1	DRAIN
A115	CONNECTOR (MECH), HOSE	4932EL3002A	1	DISPENSER
A120	PANEL ASSEMBLY, DRAWER	3721EL1016A	1	
A130	KNOB, ROTARY	4940ER3015B	1	
A140	PANEL ASSEMBLY, CONTROL	3721EL1015B	1	PANEL+BUTTONS
A150	PWB(PCB) ASSEMBLY, DISPLAY	6871EL1005A	1	
A160	PWB(PCB) ASSEMBLY, MAIN	6871EL1006A	1	
B100	DOOR ASSEMBLY	3581EL1002A	1	
B101	HINGE ASSEMBLY	4775EL2001A	2	
B102	BODY	3070EL1001A	1	
B103	LATCH, HOOK	4026EL3008A	1	
B104	SCREW TAPPING, COUNTER SUNK HEAD	1TCL0403132	2	LATCH HOOK
B105	SCREW, DRAWING	1SZZEL4001A	2	HINGE
B106	GASKET	4986EL1002A	1	
B107	CAP, HOLE	5006EL3008A	1	
B108	CAP, HOLE	5006EL3006A	2	
B120	COVER ASSEMBLY, FRONT	3551EL1001A	1	
B121	BODY	3070EL2001A	1	
B122	CONNECTOR ASSEMBLY	6631EL2003B	1	THERMISTOR
B123	CONNECTOR ASSEMBLY	6631EL1003B	1	
B124	SERVICE PARTS	383EEL3001A	1	SLIDE+FELT+SEAL
B125	COVER, LAMP	3550EL3005A	1	
B126	HOLDER	4930ER4001A	3	
B127	FRAME, FRONT COVER	3210EL1002A	1	
B128	LAMP ASSEMBLY	6913EL3001B	1	
B129	HOLDER	4930EL3017A	1	
B130	SWITCH ASSEMBLY, SAFETY	6601EL3001B	1	
B131	GASKET	4986EL1003A	1	
B132	THERMISTOR ASSEMBLY	6323EL2001C	1	
B133	SCREW, DRAWING	1SZZEL3002C	2	
B134	SCREW, DRAWING	1SZZEL3002B	3	
B136	GASKET	4986EL2003A	1	
B140	COVER ASSEMBLY, CABINET	3551EL1002A	1	
B141	CAP, HOLE	5006EL3007A	2	
B142	CAP, COVER	5006EL3005A	1	
B150	LATCH ASSEMBLY	4027EL3001A	1	
B160	GRILLE	3530EL1001A	1	
C100	COVER, LOWER	3550EL2006A	1	
C110	CASE	3110EL2001A	1	
C120	COVER ASSEMBLY, SAFETY	3551EL2001A	1	
C130	CONDENSER ASSEMBLY	5403EL1001A	1	
C140	BASE ASSEMBLY, CABINET	3041EL1002A	1	
C142	LEG ASSEMBLY	4779EA3001B	4	
C150	SPRING, COIL	4970EL3003A	1	
C160	HOLDER	4930EL3015A	1	

REPLACEMENT PARTS LIST

CAUTION : Before replacing any part of these components read carefully the safety precautions in this manual

- Nate : S (Safety Parts), AL (Alternative Parts)
- LG MODEL : TD-C70140E

LOC	DESC	TD-C70140E	QTY	REMARKS
C170	NUT, DRAWING	1NZZEL4002B	1	LEFT TURN
C180	BLOWER, IMPELLER	5834EL2002A	1	COOLING
C190	SUPPORTER ASSEMBLY	4981EL1001A	1	
C200	MOTOR ASSEMBLY, WM	4681EL1003A	1	
C210	BLOWER, IMPELLER	5834EL2001A	1	DRYING
C220	NUT, DRAWING	1NZZEL4002A	1	RIGHT TURN
C230	SLIDE	4276EL3002A	1	
C240	CUSHION	4850EL3002A	1	
C250	PUMP ASSEMBLY, DRAIN	5859EL2001A	1	
C260	SENSOR ASSEMBLY	6501EL3003A	1	
C270	HOSE ASSEMBLY, CONNECTOR	5215EL3001A	1	WITH HOSE CLAMP
C280	CONNECTOR ASSEMBLY	6631EL2001A	1	
C290	COVER ASSEMBLY, BASE	3551EL2002A	1	
C300	GUIDE, AIR	4974EL3004A	1	
D100	BELT, POLY-V	4400EL1001A	1	
D120	TUB ASSEMBLY, DRUM	3045EL1003A	1	
D121	LIFTER	4432EL1003A	2	
D122	SERVICE PARTS	383EEL3003A	1	
D123	WASHER, DRAWING	1WZZEL3001A	1	
D124	WASHER, DRAWING	1WZZFR4148A	1	
D130	CABINET	3090EL1001B	1	SPONGE
D131	CABINET	3090EL1001A	1	
D140	CAPACITOR ASSEMBLY	6121EL2001B	1	
D150	COVER ASSEMBLY, BACK	3551EL1003A	1	
D151	HOLDER	4930EL1002A	1	
D152	PACKING ASSEMBLY	3921EL1001A	1	
D153	SUPPORTER, TOP TABLE	4980EL2005A	1	RIGHT TURN
D155	SUPPORTER, TOP TABLE	4980EL2005B	1	LEFT
D156	SUPPORTER, HOLDER	4980EL4001A	1	
D157	SCREW, DRAWING	1SZZEL3002A	8	
D160	GUIDE, AIR	4974EL3006A	1	
D170	DUCT ASSEMBLY	5209EL1005B	1	
D180	POWER CORD ASSEMBLY	6411ER1001K	1	
D190	CAP, COVER	5006EL3010A	1	
D200	HEATER ASSEMBLY	5301EL1002C	1	
D201	THERMOSTAT ASSEMBLY	6931EL3001D	1	
D210	HOLDER	4930EL3020A	1	
D220	FRAME, BODY	3210EL1001A	1	
D230	FRAME, TOP	3210EL1003A	2	



JUL. 2005 PRINTED IN KOREA

P/No.:3828EL9001C