

---

## 6. Exploded View and Parts List

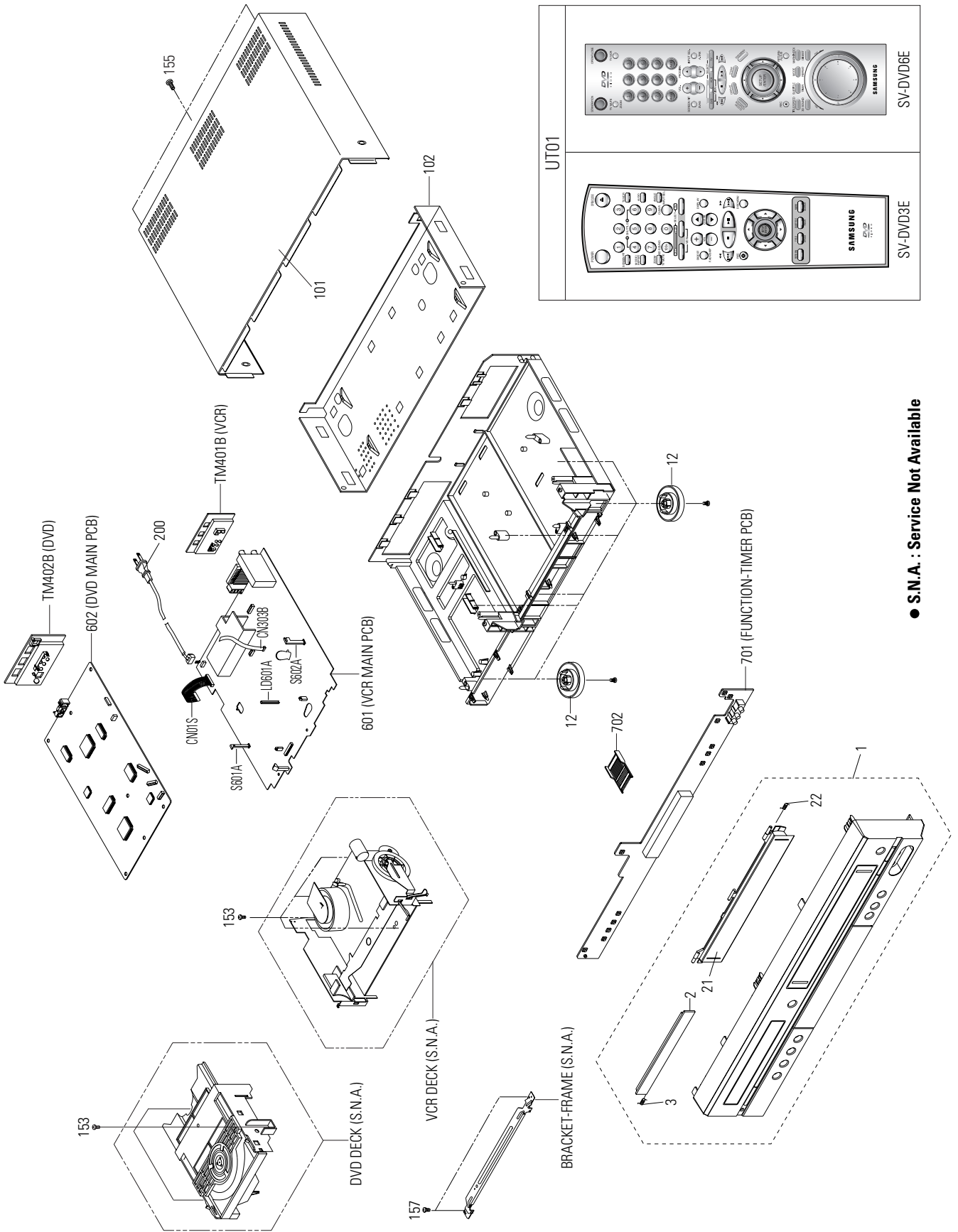
---

<b>6-1 Cabinet Assembly</b>	-----	<b>6-2</b>
<b>6-2 VCR Mechanical Parts (Top Side)</b>	-----	<b>6-4</b>
<b>6-3 VCR Mechanical Parts (Bottom Side)</b>	-----	<b>6-6</b>
<b>6-4 DVD Mechanical Parts</b>	-----	<b>6-8</b>

**Notice**

**You can search for the updated part code through ITSELF web site.  
URL; <http://itself.sec.samsung.co.kr>**

## 6-1 Cabinet Assembly

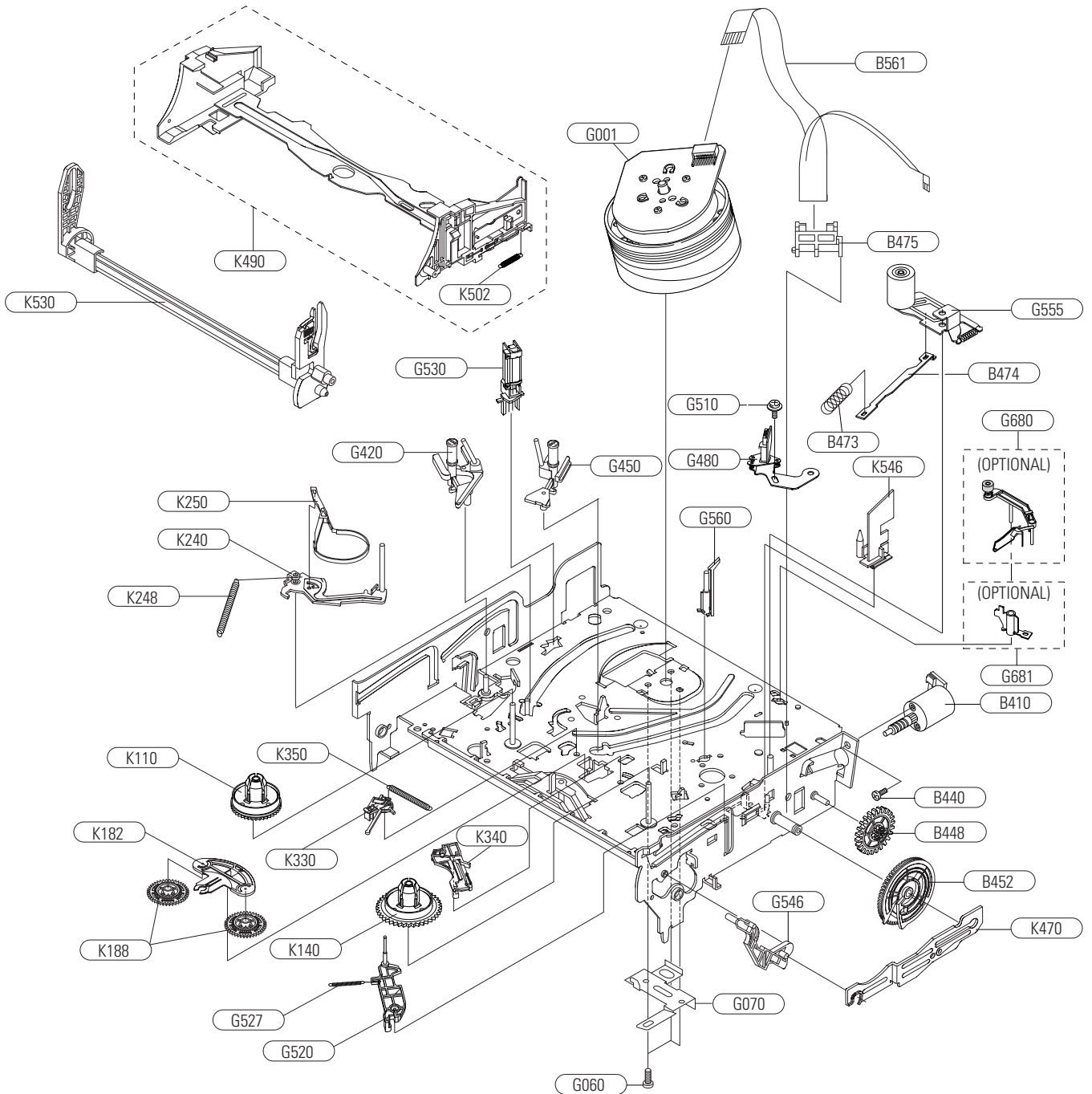


● S.N.A. : Service Not Available

Loc. No	Parts No.	Description ; Specification	Remark
1	<b>Refer to table below</b>	ASSY-PANEL FRONT;HIPS94HB,SV-DVD3E/XEF,S	
2	AK64-00010B	DOOR-TRAY;SV-DVD6EXEG,ABS 94HB,-,-,-,S	
3	AC61-00267A	SPRING ETC-DOOR TRAY;DVD-V5000K,SUS304,-	
12	AC64-42114A	DECORATION-LEG;-,-,HB,D/GRY,-,-,-,SV-900	
21	<b>Refer to table below</b>	DOOR-CASSETTE;SV-DVD3E/XEG,ABS 94HB,-,-,	
22	AK61-00014A	SPRING ETC;COMBO,SUS304,-,-,-,-,-,-,-,	
101	AC64-00992B	CABINET;SV-DVD3E,PCM T0.6,-,-,-,SV-3	
102	AC63-00077B	COVER-BOTTOM;SV-DVD3E,SECC,T0.5,-,430,-,	
153	AC60-12126A	SCREW-BH;-,-,FE,FZY,BH,-,-,4*12,-,-	
155	6003-000275	SCREW-TAPTITE;BH,+ ,B,M3,L10,BLK ,SWCH101	
157	AC60-10063A	SCREW-TAPTITE;-,-,L12,ZPC3,+,-,M3,-,SWRC	
200	AC39-10019A	POWER CORD;KKP-419C,H03VVH2-F,VDE/KEMA-K	
601	<b>Refer to table below</b>	ASSY PCB-MAIN(VCR);	
602	AH92-01454A	ASSY PCB-MAIN(DVD);DVD-V2000D,DVD,MAIN ,E	
	AK92-00068A	ASSY PCB-MAIN;SV-DVD3E/XEV,DVD,MAIN	CIS Only
701	AC92-01230A	ASSY OPT PCB-TIMER;SV-DVD3E ,TIMER	
702	3711-005008	CONNECTOR-HEADER;NOWALL,20P,1R,1.5MM,STR	
CN01S	3809-001316	CABLE-FLAT;30V,80C,80MM,33P,1.25MM,UL289	
LD601A	AC61-21009A	HOLDER-LED;X-9,POM(M90-44),-,-,-,BLK,-	
S601A	AC61-00229A	HOLDER-SENSOR;SCORPIO2,POM,-,-,-,BLACK,-	
S602A	AC61-00229A	HOLDER-SENSOR;SCORPIO2,POM,-,-,-,BLACK,-	
TM401B	AC61-00295A	CONNECTOR BOARD;COMBO3 PAL,HIPS,T2,-,61,	
TM402B	AK97-00146A	ASSY-CON BOARD;HIPS94HB,SV-DVD6E,BLACK	
UT01	AK59-00002A	REMOCON-ASSY;SV-DVD3E,-,-,-,44,-,-,-,S	SV-DVD3E
	AK59-00001B	REMOCON-ASSY;SV-DVD6E,-,-,-,47,-,-,-,M	SV-DVD6E

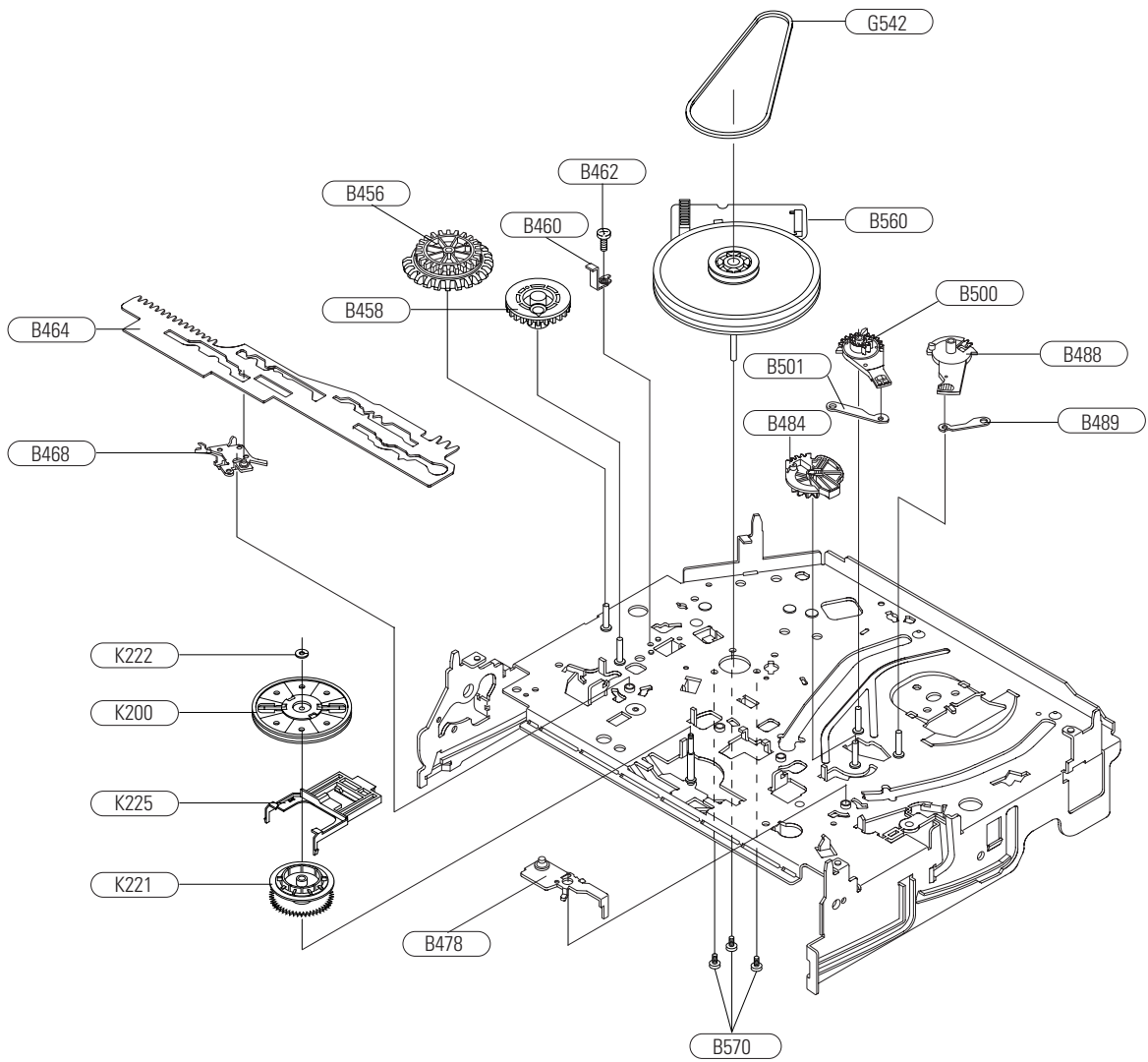
COUNTRY	MODEL	1	21	601
France	SV-DVD3E	AK97-00112B	AK64-00006E	AC92-01227A
	SV-DVD6E	AK97-00111B	AK64-00006D	AC92-01227A
U.K	SV-DVD3E	AK97-00112A	AK64-00006D	AC92-01227C
	SV-DVD6E	AK97-00111A	AK64-00006D	AC92-01227C
Germany	SV-DVD3E	AK97-00112A	AK64-00006D	AC92-01227B
	SV-DVD6E	AK97-00111A	AK64-00006D	AC92-01227B
Italy	SV-DVD3E	AK97-00112A	AK64-00006D	AC92-01227B
	SV-DVD6E	AK97-00111A	AK64-00006D	AC92-01227B
Spain	SV-DVD3E	AK97-00112A	AK64-00006D	AC92-01227B
	SV-DVD6E	AK97-00111A	AK64-00006D	AC92-01227B
Swiss	SV-DVD3E	AK97-00112B	AK64-00006E	AC92-01227A
	SV-DVD6E	AK97-00111B	AK64-00006E	AC92-01227A
CIS	SV-DVD3E	AK97-00112F	AK64-00006E	AC92-01227G
	SV-DVD6E	AK97-00111C	AK64-00006E	AC92-01227G
Austria	SV-DVD3E	AK97-00112A	AK64-00006D	AC92-01227B
	SV-DVD6E	AK97-00111A	AK64-00006D	AC92-01227B
Netherlans	SV-DVD3E	AK97-00112A	AK64-00006D	AC92-01227B
	SV-DVD6E	AK97-00111A	AK64-00006D	AC92-01227B
Portugal	SV-DVD3E	AK97-00112A	AK64-00006D	AC92-01227B
	SV-DVD6E	AK97-00111A	AK64-00006D	AC92-01227B
Pan-Scan	SV-DVD3E	AK97-00112A	AK64-00006D	AC92-01227B
	SV-DVD6E	AK97-00111A	AK64-00006D	AC92-01227B
Greece/Hungary/Czech	SV-DVD3E	AK97-00112A	AK64-00006D	AC92-01227F
Macedonia/Poland/Croatia	SV-DVD6E	AK97-00111A	AK64-00006D	AC92-01227F

## 6-2 VCR Mechanical Parts (Top Side)



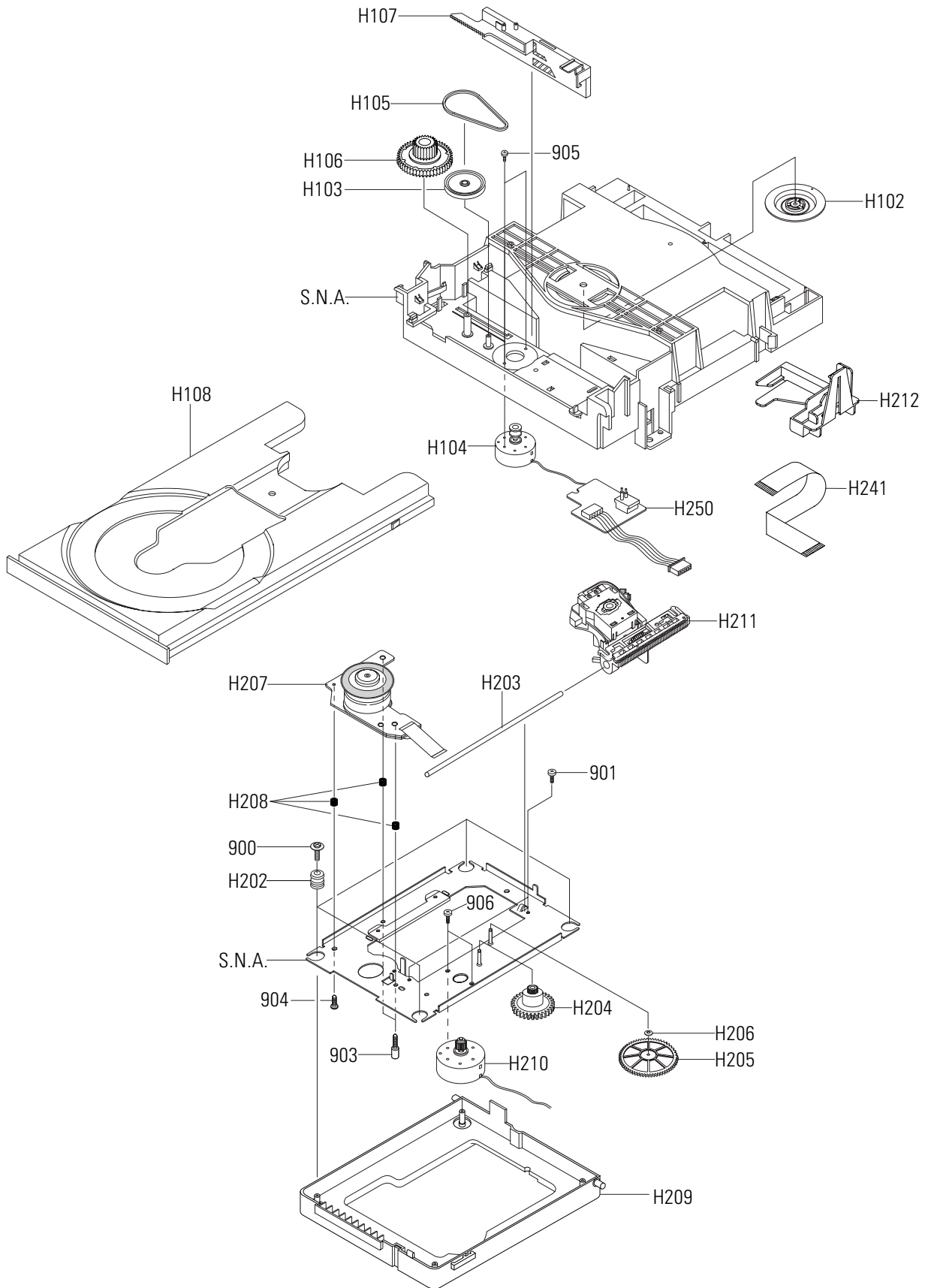
Loc. No	Parts No.	Description ; Specification	Remark
B410	AC31-00018A	MOTOR-LOADING ASSY;-;SCORPIO2(TS-10A);-;	
B440	AC60-10515A	SCREW-MACHINE;-;-;M3,L3,PH,+;-;-;ZPC;-	
B448	AC66-00008A	GEAR-WORM WHEEL;TS-10,POM,0.8,40,-;NAT,3	
B452	AC66-00011A	GEAR-FL CAM;TS-10,POM,0.8,59,-;BLK,48.48	
B473	AC61-00105A	SPRING ETC-PINCH DRIVE;TS-10,SUS304-WPB,	
B474	AC61-30180A	PLATE-JOINT;X-9,SECC20/20,T0.8;-;-;-;	
B475	AC47-00003A	DAMPER-CAPSTAN;SCORPIO2,POM, NATUAL;-;-;	
B561	3809-001270	CABLE-FLAT;30V,80C,140MM,10P,1.25MM,UL28	
G001	AC97-01756A	ASSY-CYLINDER;6S-SEM'S HEAD,CTS10A-SEM,P	Frace Model Only
	AC97-01754A	ASSY-CYLINDER;6P-SEM'S HEAD,CTS10A-SEM,P	Other Models
G060	6006-001092	SCREW-ASS'Y MACH;WS,PH,+;M3.0,L6.0,ZPC(Y	
G070	AC61-00161A	PLATE-GROUND DECK;TS-10,SPTE,T0.3;-;-;-;	
G420	AC66-80142A	SLIDER-SUPPLY ASSY;X-9,X-9(TS);-;-;-;-;	
G450	AC66-80141A	SLIDER-TAKE UP ASSY;X-9,X-9(TS);-;-;-;-;	
G480	AC97-01655A	ASSY-HEAD ACE;-;SCORPIO2(TS-10A),HVMXA11	
G510	6006-001075	SCREW-ASS'Y TAPT;WSP,PH,+;M2.6,L5.0,ZPC(	
G520	AC66-00033A	LEVER-#9 GUIDE ASS'Y;TS-10;-;-;-;-;-;	
G527	AC61-60553A	SPRING ETC-GUIDE 9;X-9,SUS304-WPB,0.25,-	
G530	AC33-00007A	HEAD-FE;-;-;HVFHPO043A;-;-;	
G546	AC66-00005A	LEVER-FL DOOR;TS-10,POM;-;-;-;-;NAT;-	
G555	AC66-00032A	LEVER-UNIT PINCH ASS'Y;TS-10;-;-;-;-;-;	
G680	AC66-00046A	LEVER-HEAD CLEANER ASS'Y;TS-10,POM+URETH	(OPTIONAL)
G681	AC61-50686A	SLEEVE-HEAD CLEANER;-;POM;-;-;-;-;-;TS	(OPTIONAL)
K110	AC66-10267A	REEL-DISK S;X-9,POM;-;-;-;-;-;	
K140	AC66-10268A	REEL-DISK T;X-9,POM;-;-;-;-;-;	
K182	AC66-30524A	LEVER-IDLER;-;POM;-;-;-;-;-;	
K188	AC66-00039A	GEAR-IDLE;TS-10,PET K3372,0.5;-;-;-;NTR,28	
K240	AC66-00035A	LEVER-TENSION ASS'Y;TS-10,SECC E20/20+SU	
K248	AC61-00107A	SPRING ETC-TENSION LEVER;TS-10,SUS304-WP	
K250	AC69-00104A	BAND-BRAKE ASS'Y;TS-10;-;-;-;-;-;	
K330	AC66-30550A	LEVER-S.BRAKE ASSY;-;POM+SUS;-;-;-;-;X-9	
K340	AC66-30549A	LEVER-T.BRAKE ASSY;-;POM+SUS;-;-;-;-;X-9	
K350	AC61-00106A	SPRING ETC-BRAKE;TS-10,SUS304-WPB;-;-;-;-;	
K470	AC66-00020A	SLIDER-FL DRIVE;TS-10,SECC E20/20,1.0;-;	
K490	AC61-00120A	HOLDER-FL CASS. ASS'Y;TS-10;-;-;-;-;-;	
K502	AC61-60561A	SPRING ETC-FL.LEVER-LR;X-9,SUS304 WPB,OD	
K530	AC66-00034A	LEVER-FL ARM ASS'Y;TS-10;-;-;-;-;-;	
K546	AC61-50658A	GUIDE-CASS. DOOR;X-9,POM;-;-;-;-;NTR	

### 6-3 VCR Mechanical Parts (Bottom Side)



Loc. No	Parts No.	Description ; Specification	Remark
B456	AC66-00009A	GEAR-JOINT 1;TS-10,POM,1.5,17.5(22),-,NA	
B458	AC66-00012A	GEAR-JOINT 2;TS-10,POM,1.0,23,-,BLK,24.6	
B460	AC61-00090A	BRACKET-GEAR;TS-10,SECC E20/20,0.8,-,-,-	
B462	AC60-10517A	SCREW-TAP TITE;-,-,M2.6,L5,PH,+,-,-,ZPC,	
B464	AC66-00019A	SLIDER-CAM;TS-10,SECC E20/20,1.2,-,-,-,-	
B468	AC66-00017A	LEVER-PINCH DRIVE;TS-10,SECC E20/20,1.0	
B478	AC66-00016A	LEVER-TENSION DRIVE;TS-10,SECC E20/20,1	
B484	AC66-00030A	GEAR-LOADING DR. ASS'Y;TS-10,POM+SWPB,-,	
B488	AC66-00023A	LEVER-S LOADING;TS-10,POM,-,-,-,-,NAT,-	
B489	AC66-00021A	LINK-LOADING S;TS-10,SECC E20/20,0.8,-,-	
B500	AC66-00024A	LEVER-T LOADING;TS-10,POM,-,-,-,-,NAT,-	
B501	AC66-00022A	LINK-LOADING T;TS-10,SECC E20/20,0.8,-,-	
B560	AC31-00016A	MOTOR-CAPSTAN;F2QVB05,SCORPIO2(TS-10A),-	
B570	AC60-10514A	SCREW-CAPSTAN;-,-,M2.6,L6,PH,+,-,-,-,-	
G542	AC66-60051A	BELT-PULLEY;-,-,5CM-70,2 * 2,-,-,71.3,-,X-9	
K200	AC61-21012A	HOLDER-CLUTCH ASSY;X-9,-,-,-,-,-,-	
K221	AC66-20581A	GEAR-CENTER ASSY;-,-,POM,M=0.5,-,HIGHT T.,	
K222	AC60-30306A	WASHER-SLIT;-,-,ID2.1,OD5.0,T0.5,-,POLYS	
K225	AC66-00006A	LEVER-UP DOWN;TS-10,POM,-,-,-,-,NAT,-	

## 6-4 DVD Mechanical Parts





Loc. No	Parts No.	Description ; Specification	Remark
900	6003-001157	SCREW-TAPTITE;PWH,+,B,M2,L6,ZPC(YEL),SWR	
901	6001-001522	SCREW-MACHINE;FH,+,M2.6,L7,ZPC(YEL),SWRC	
903	6009-001245	SCREW-SPECIAL;SWRCH18A,NYLOCK,SOCKET,HEX	
904	6001-001466	SCREW-MACHINE;BH,+,M2,L6,ZPC(BLK),SWRCH1	
905	6001-001257	SCREW-MACHINE;PWH,+,M1.7,L3,ZPC(YEL),SWR	
906	AH60-00010A	SCREW-MACHINE-MOTOR;-+,SWCH18AK,M1.7,L2	
H102	AH66-00111B	CLAMPER-ASSY;DP-5,POM+MAGNET,-,-,-,-,-	
H103	AH66-00123A	PULLEY-GEAR;DP-7,POM M90-44,-,-,-,-,-	
H104	AH31-00024A	MOTOR-LOAD ASSY;SM-2412L2,DP-7,-,-,-,-,-	
H105	6602-001076	BELT-RECTANGULAR;CR,T1.2,4.3%,1.2X25.1,B	
H106	AH66-00124A	GEAR-TRAY;DP-7,POM,M90-44,-,-,-,-,-	
H107	AH66-00125A	SLIDER-HOUSING;DP-7,POM,-,-,-,-,-	
H108	AH63-00422A	TRAY-DISC;-ABS,-,-,-,-,BLK,DP-7S	
H202	AH73-00023A	RUBBER-INSULATOR;BUTYL RUBBER,-,DP-3,i-? 4.000	
H203	AH61-50327A	SHAFT-P/U;DP-3,SUS420J2,L84.7,OD3,-,-,-	
H204	AH66-00075A	GEAR-FEED A;-POM M90-44,-,-,-,-,-	
H205	AH66-00170A	GEAR-FEED B;DP-7S,POM M90-44,0.5,14,-,-,	
H206	AC60-30306A	WASHER-SLIT;-,-,ID2.1,OD5.0,T0.5,-,POLYS	
H207	AH31-00032A	MOTOR-SPINDLE ASSY;RSM-2610F1,DP-7S,-,-,	
H208	AH61-00403A	SPRING ETC-SPINDLE;DP-5,SWPB,PI4.9,-,-,-	
H209	AH61-00513A	CHASSIS-SUB;DP-7,ABS(SR-0320),-,-,-,-,-	
H210	AH31-00016A	MOTOR-FEED ASSY;-DP-5,-,-	
H211	AH97-00900A	ASSY-PICK-UP;-SOH-DS2,ASSY-PICK-UP	
H212	AH61-00891A	HOLDER-FFC;DP-7S,PP1,-,-,-,NTR,-	
H241	3809-001303	CABLE-FLAT;30V,80C,230MM,24P,1MM,UL2896	
H250	AH92-00900A	ASSY-HOUSING PCB;DVD-M101,MILLENO DECK(B	

# MEMO