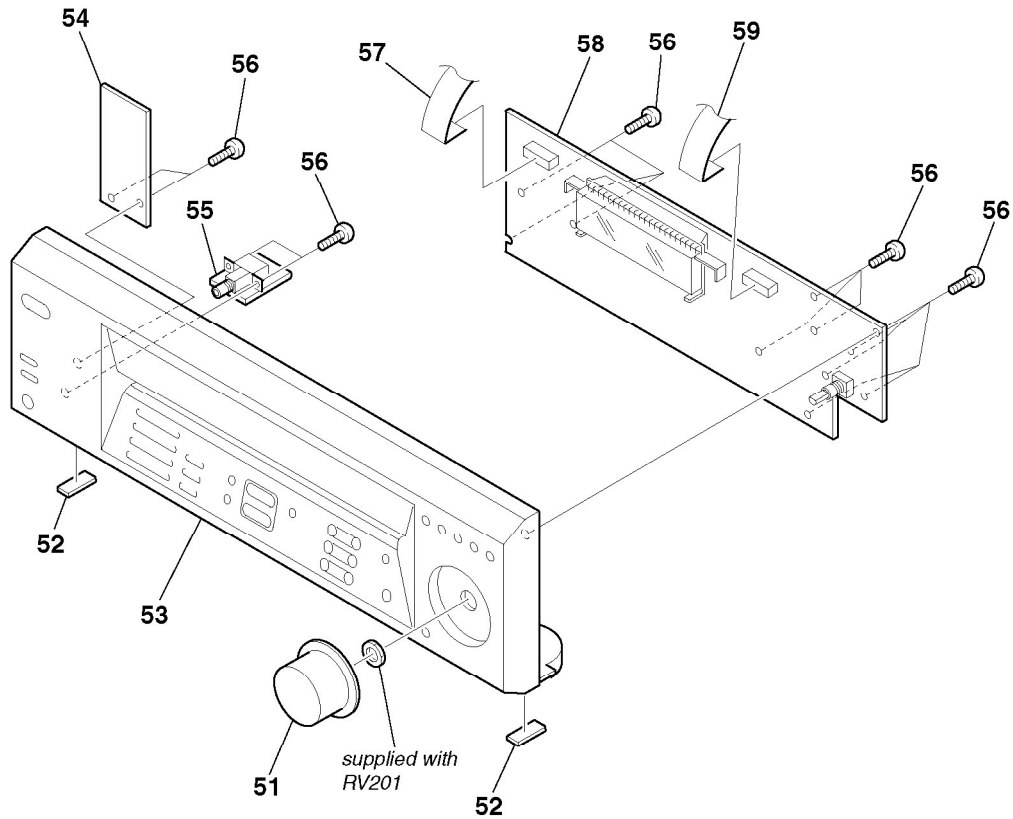


5-2. FRONT PANEL SECTION



Ref. No.	Part No.	Description	Remark	Ref. No.	Part No.	Description	Remark
51	4-232-113-01	KNOB (VOL)		56	4-951-620-01	SCREW (2.6X8), +BVTP	
52	4-921-941-01	CUSHION		57	1-765-332-11	WIRE (FLAT TYPE) (15 CORE)	
53	X-4954-453-1	PANEL ASSY, FRONT (US)		58	A-4727-878-A	DISPLAY BOARD, COMPLETE (US)	
53	X-4954-455-1	PANEL ASSY, FRONT (AEP,UK)		58	A-4727-882-A	DISPLAY BOARD, COMPLETE (AEP,UK)	
54	1-683-817-11	POWER SW BOARD		59	1-773-054-11	WIRE (FLAT TYPE) (17 CORE) (US)	
55	1-683-816-11	HP BOARD		59	1-773-125-11	WIRE (FLAT TYPE) (19 CORE) (AEP,UK)	