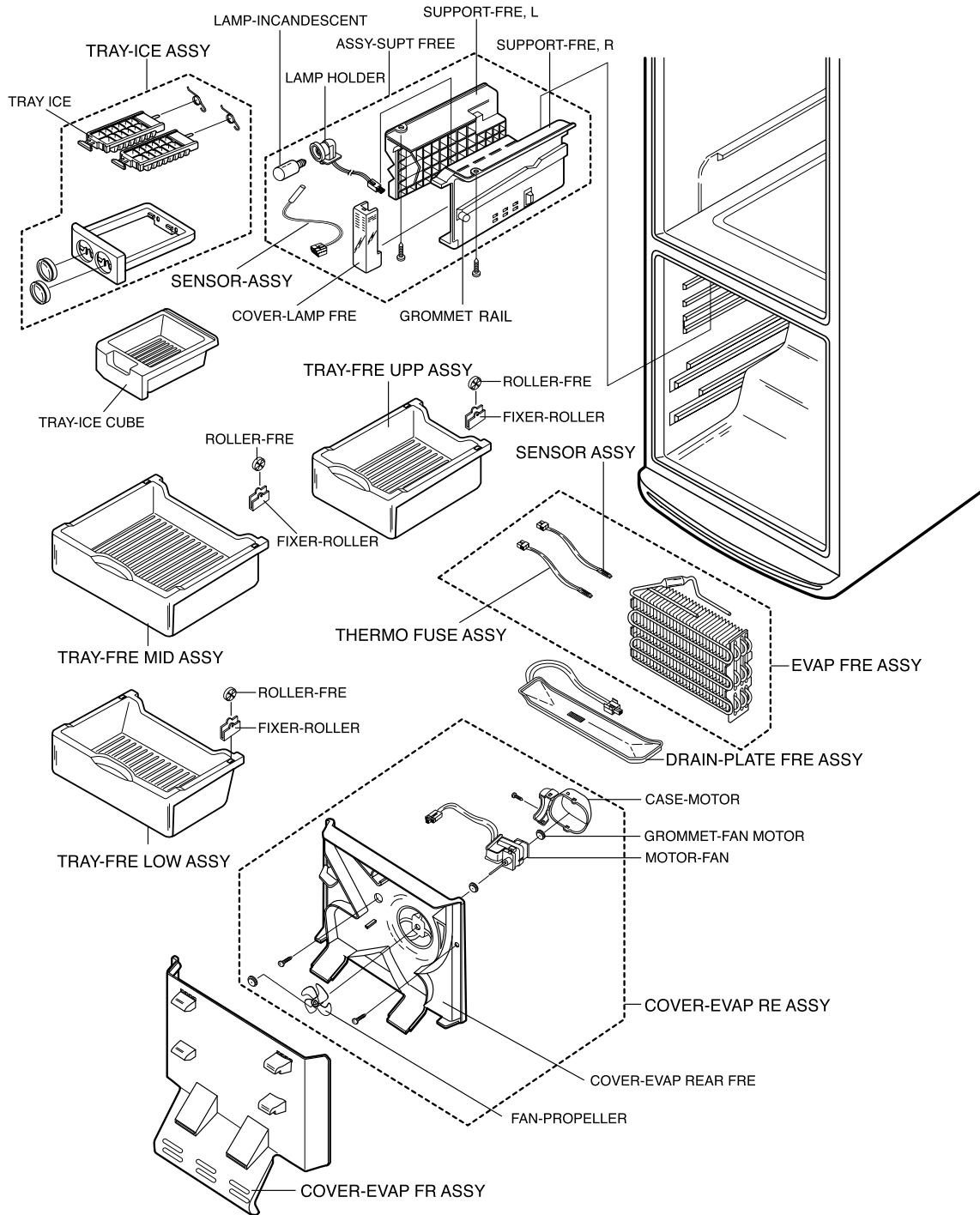
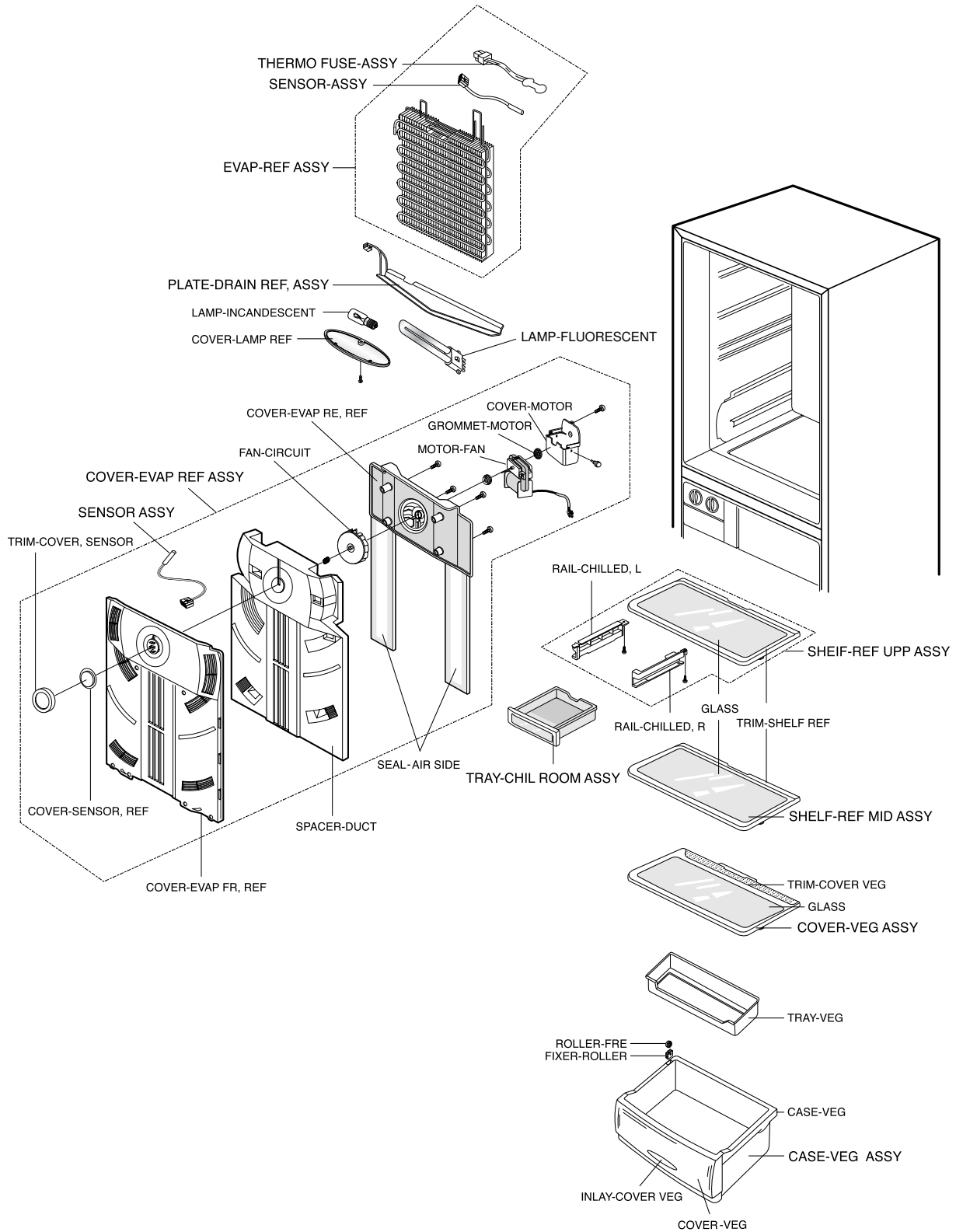


# 9. Exploded View

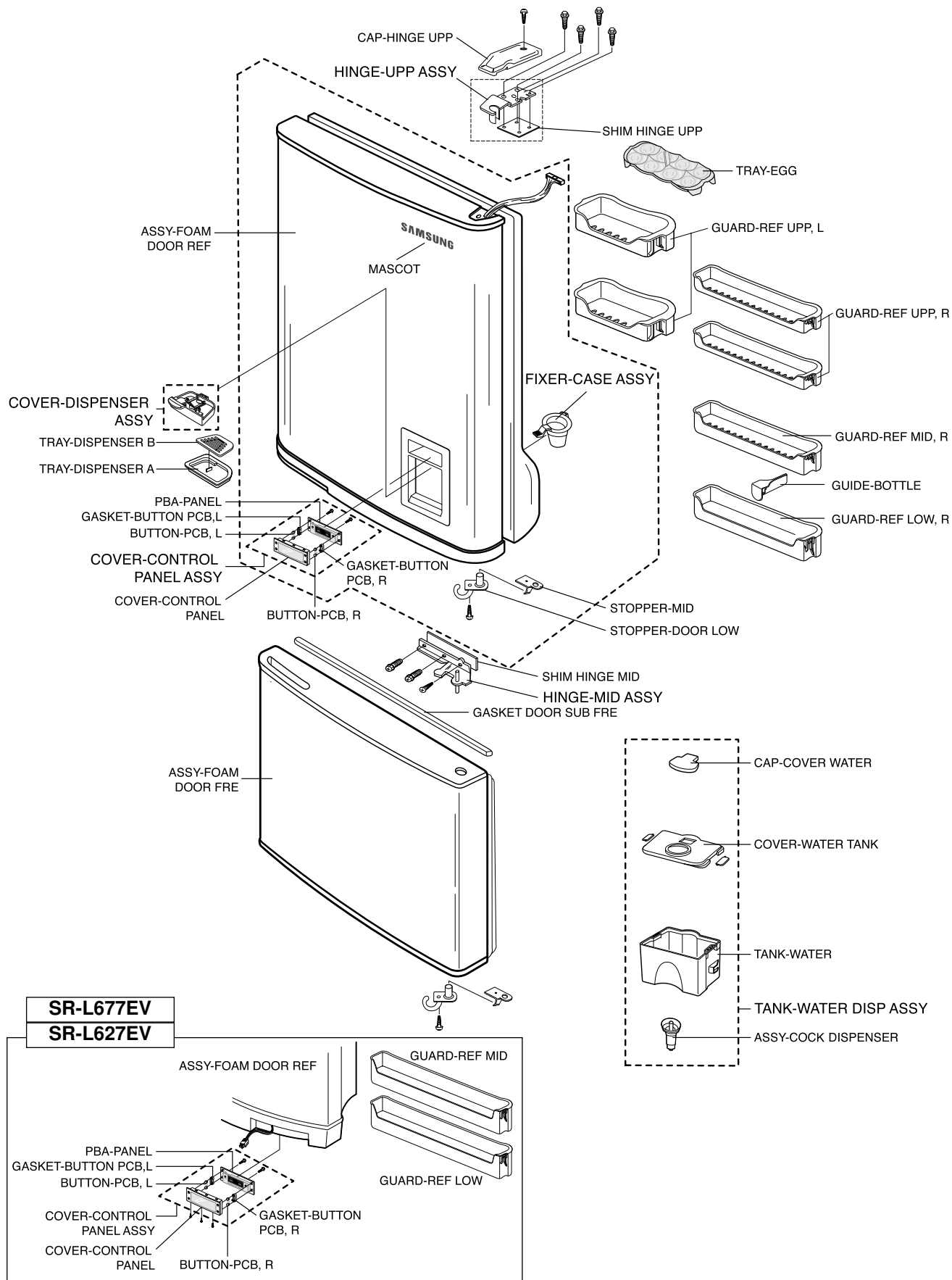
## 9-1. Freezer room



## 9-2. Refrigeration room



# 9-3. Door parts



# 9-4. Cabinet parts & unit

