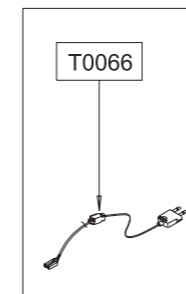
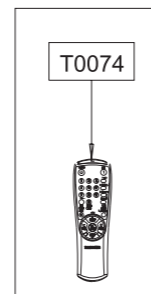
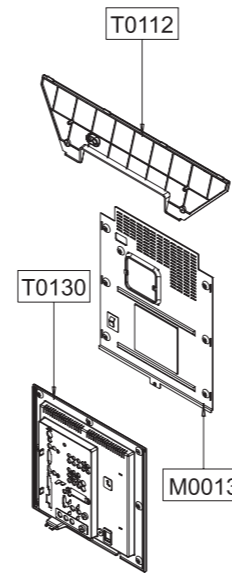
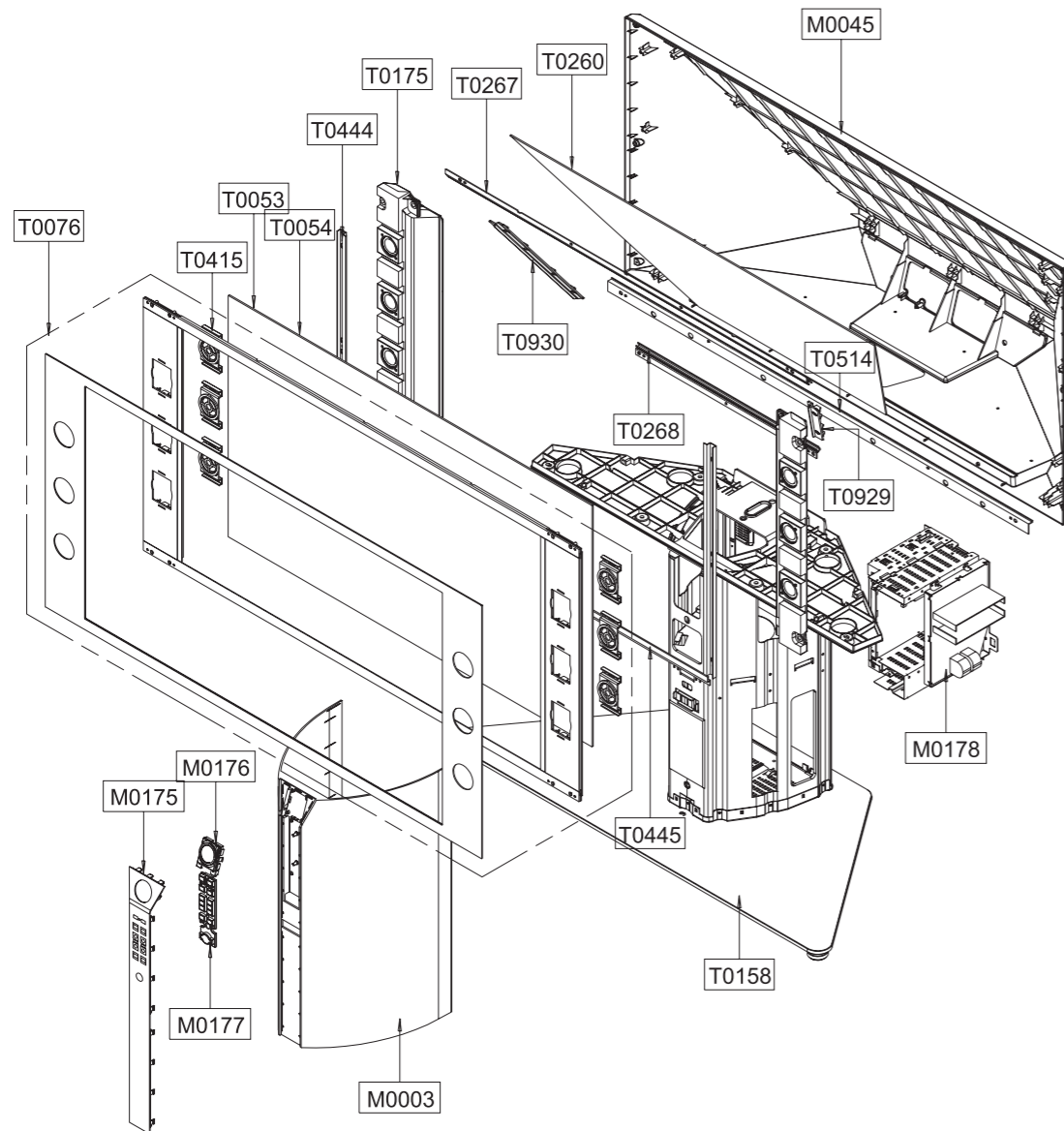


3. Exploded View & Parts List

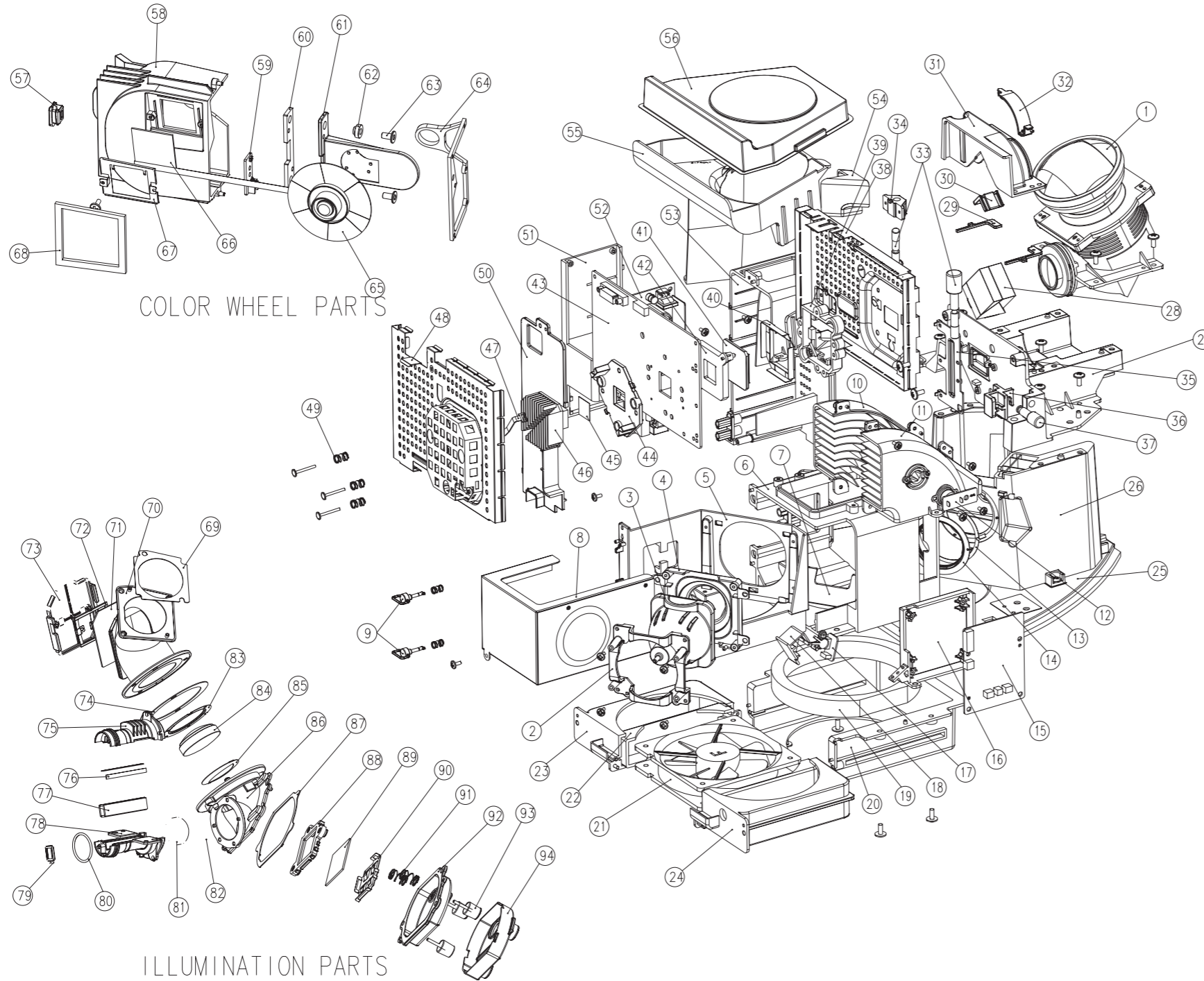
3-1 SP50L7HXX/XEC

You can search for the updated part code through ITSELF web site.
URL : <http://itself.sec.samsung.co.kr>



Loc.No.	Code No	Description;Specification	Q'ty	S.N.A
T0076	BP96-00620B	ASSY COVER P-FRONT MASK;50L7,ACRYL+MOLD,	1	
T0053	BP67-00109A	SCREEN FRESNEL;50W,1126*646,2T	1	
T0054	BP67-00153A	SCREEN LENTI;50W,MS,1126*646,2.1T	1	
T0415	BP96-00603A	ASSY COVER P-HOLDER DECO;50L7,HIPS,HB,GR	6	S.N.A
T0444	BP96-00622A	ASSY MISC P-BRKT SCREEN SIDE;50L7,AL,T2.	2	S.N.A
T0445	BP96-00667A	ASSY BRACKET P-SCREEN BOTTOM;50L7,AL,T2.	1	S.N.A
T0175	BP96-00545A	ASSY SPEAKER P;80HM,15W,SEM,L7 SPEAKER A	1	S.N.A
T0930	BP61-00635A	HOLDER-MIRROR L;L7,HIPS HB,BLACK	1	S.N.A
T0929	BP61-00636A	HOLDER-MIRROR R;L7,HIPS HB,BLACK	1	S.N.A
T0267	BP61-00640A	BRACKET-MIRROR TOP;50L7,AL,T2.0	1	S.N.A
T0260	BP67-00096A	MIRROR;MIRROR FRONT 50,GLASS,1100X580X5	1	
M0045	BP64-00431A	CABINET BACK-TOP;50L7,HIPS,HB,SV-012P	1	
M0175	BP96-00634B	ASSY BOARD P-TOUCHKEY;	1	S.N.A
M0176	BP96-00636A	ASSY BOARD P-INFORMATION LCD;HLP5085WX,L	1	S.N.A
M0177	BP96-00635A	ASSY BOARD P-RMC LED;HLP5085WX,RMC LED	1	S.N.A
M0003	BP96-00624A	ASSY COVER P-FRONT;50L7,ABS,V0,GR503,SVM	1	
T0158	BP96-00621A	ASSY COVER P-MAIN;50L7,SECC+MOLD	1	S.N.A
M0178	BP96-00625C	ASSY MISC P-BRKT CHASSIS;50L7,SECC,T1.0,	1	S.N.A
T0268	BP61-00641B	BRACKET-MIRROR BOT;50L7,AL,T2.0,BLK	1	S.N.A
T0514	BP61-00648A	BRACKET-SUPPORT BACK;50L7,AL EXTR,T 2.0,	1	S.N.A
T0130	BP96-00695A	ASSY COVER P-TERMINAL BOARD;L7,HIPS,V0,E	1	S.N.A
M0013	BP96-00669A	ASSY COVER P-REAR BOTTOM;50L7,AL,T2.0	1	
T0112	BP63-00271A	COVER-BACK REAR;50L7,HIPS,HB,GR503,SV012	1	S.N.A
T0074	BN59-00378C	REMOCON;ATLANTIS,TM77,55,EX	1	
T0066	AA96-20109C	ASSY POWER CORD;-;CP2/NO(4.0),H/C300,KKP	1	S.N.A

3-2 Exploded View of Engine



No.	PART-NAME	CODE-NUMBER	SPECIFICATION	QUANTITY
0	ASS' Y-ENGINE	BP96-00609A		1
1	LENS-PRJ-ASSY	BP67-00127A	MP12MM 1999g, 24.7, 10.8	1
2	HOLDER-LAMP(R)	BP61-00672A	PPS	1
3	LAMP-LHP	BP47-00018A	HPF 100W /120W 1.0 PH E22	1
4	HOLDER-LAMP(F)	BP61-00691A	AL	1
5	HOLDER-BASE-LAMP	BP61-00673A	PPS	1
6	HOLDER-HOUSING-LAMP	BP61-00674A	PPS	1
7	GUIDE DUCT	BP61-00828A	PC+GF20+	1
8	SHIELD-LAMP	BP63-00279A	AL T1.0	1
9	SHAFT-LAMP	BP66-00007A		2
10	DUCT-LAMP(R)	BP67-00159A	PC+GF20+	1
11	DUCT-LAMP(L)	BP67-00160A	PC+GF20+	1
12	ASS' Y PCB MISC-THERMOSTAT	BP91-00755A		1
13	SHEET-LAMP	BP63-00343A	SILICON	1
14	RUBBER-HOLDER-LAMP	BP73-00058A	SILICON	1
15	ASSY PCB S-DETECTOR	BP94-02160A		1
16	HOLDER-SUB PCB	BP61-00683A	ABS	1
17	ASS' Y MISC-DETECTOR S/W	BP91-00775A		1
18	COVER ASSY MISC-DETECTOR S/W		PE	1
19	SPONGE-ENGINE (FAN)	BP72-00038A	POLY URETHANE	1
20	HOUSING-HOLDER-FAN	BP61-00678A	PC	1
21	FAN-DC	BP31-00018A		1
22	RUBBER-FAN	BP73-00056A	SILICON	2
23	HOLDER-FAN (R)	BP61-00676A	PC	1
24	HOLDER-FAN (L)	BP61-00677A	PC	1
25	BRACKET-ENGINE-BASE	BP61-00697A	AL	1
26	BASE-ENGINE (BOT)	BP61-00696A	AL	1
27	BASE-ENGINE (TOP)	BP61-00695A	AL	1
28	GLASS-PRISM-ASSY-3P/E4	BP67-00133A	BP67-00133A, 10.41mm, 33.5, 10.1mm, 3.8mm, 14.8, 8.5, 8.2	1
29	RUBBER-FOCUS RING	BP73-00054A	SILICON	2
30	RUBBER-PRISM	BP73-00059A	SILICON	1
31	COVER-PRISM	BP63-00282A	AL	1
32	RUBBER-FOCUS DUST	BP73-00053A	SILICON	1
33	LEVER-SCREEN-DMD (A)	BP66-00008A	PC GF20+	2
34	GUIDE-LEVER-SCREW (B)	BP61-00699A	PC GF20+	1
35	BRACKET-DMD-BOARD	BP61-00688A	SECC T1.2	1
36	GUIDE-LEVER-SCREW (A)	BP61-00698A	PC GF20+	1
37	LEVER-SCREEN-DMD (B)	BP66-00009A	PC GF20+	1
38	SHIELD-CASE-DMD (R)	BP63-00281A	SPTF T0.5	1
39	HOLDER-CLAMP-DMD	BP61-00501A	BPT	1
40	BRACKET-EARTH DMD	BP61-00689A	SECC T0.5	1
41	DMD-PANEL (HD2+)	4719-001079	4719-001079, 10.41mm, 33.5, 10.1mm, 3.8mm, 14.8, 8.5, 8.2	1
42	HOLDER-SOCKET DMD	BP61-00502A	LCF	1
43	ASS' Y PCB S-DMD	BP94-02159A		1
44	BRACKET-PLATE	AA61-01167A	AL	1
45	SHEET-PAD, HV5-B3K, SHEET	AA63-00593A	SHEET	1
46	HEAT-SINK-DMD	BP62-00055A	AL ETR	1
47	SPRING ETC-HVS, DMD	AA61-01180A	SUS	1
48	SHIELD-CASE-DMD (F)	BP63-00280A	SPTF T0.5	1
49	SPRING ETC-COLL, DMD	AA61-01195A	SUS 304	3
50	COVER-GUIDE-BALLAST	BP63-00276A	PC	1
51	HOLDER-BALLAST	BP61-00675A	PC	1
52	LAMP-BALLAST	BP47-00016A	EUC 120W P/H11	1
53	GUIDE-BALLAST	BP61-00690A	PC	1
54	DUCT-GUIDE-BALLAST	BP67-00117A	PC	1
55	COVER-ENGINE	BP63-00278A	PC	1
56	CAP-ENGINE	BP67-00158A	PS	1
57	RUBBER-PCB C/W	BP73-00057A	SILICON	1
58	HOLDER-C/WHEEL	BP61-00692A	AL	1
59	ASS' Y-MISC-C/WHEEL SENSOR	BP91-01558A		1
60	RUBBER-GUIDE C/W	BP73-00062A	SILICON	1
61	GUIDE-C/WHEEL	BP61-00798A	AL	1
62	RUBBER-WHEEL TOP	BP73-00024A	SILICON	2
63	BUSH-SPACER RUBBER	BP61-00815A	BRASS	2
64	RUBBER-HOLDER C/W	BP73-00061A	SILICON	1
65	GLASS-COLOR WHEEL	BP64-00475A	66P1, AIR BEARING	1
66	GLASS-UV, FILTER	BP64-00094A	GLASS, 11.1mm, 25.5, 40, 11.3	1
67	BRACKET-UV FILTER	BP61-00684A	SUS 304 T0.3	1
68	SPONGE-HOLDER C/W	BP72-00029A	POLY URETHANE	2
69	SHEET-BARREL M2	BP63-00327A		1
70	HOLDER-BARREL-M2	BP61-00682A	PC+GF20+	1
71	MIRROR-ILL-M2	BP67-00129A	BP47, AA65, 10x4, 11.2, 7.5	1
72	BRACKET-MIRROR M2	BP61-00687A	SUS 304 T0.3	1
73	COVER-MIRROR M2	BP63-00283A	PE	1
74	SHEET-BARREL M1	BP63-00326A		1
75	HOLDER-L/T (TOP)	BP61-00693A	AL	1
76	SHEET-PAD L/T	BP63-00324A		1
77	MIRROR-LIGHT TUNNEL	BP67-00130A	BP67, 7.4mm, 11.1, 1.3, 8mm	1
78	HOLDER-L/T (BOT)	BP61-00694A	AL	1
79	CAP-L/TUNNEL	BP67-00118A	SUS304 T0.2	1
80	SPRING-L/T (A)	BP61-00400A	SUS 304	1
81	LENS-ILL-E1	BP67-00131A	BP67, 11.1mm, 27, 7.5mm, 11.3, 7.5	1
82	RUBBER-RING L/T (F)	BP73-00060A	SILICON	1
83	BRACKET-LENS E2/E3	BP61-00686A	SUS 304 T0.3	1
84	LENS-ILL-ASS' Y-E2/E3	BP67-00132A	BP47, BP67, 11.1mm, 27, 7.5mm, 11.3, 7.5	1
85	PLATE-APERTURE ILL	BP61-00816A	SUS 304 T0.3	1
86	HOLDER-BARREL M1	BP61-00681A	PC+GF20+	1
87	SHEET-CTRL MIRROR	BP63-00325A		1
88	HOLDER-CTRL MIRROR	BP61-00679A	PC+GF20+	1
89	MIRROR-ILL-M1	BP67-00128A	BP47, AA65, 10x4, 11.2, 7.5	1
90	BRACKET-CTRL MIRROR	BP61-00685A	SUS 304 T0.3	1
91	SPRING-ETC CTRL MIRROR	BP61-00814A	SUS 304 0.5	3
92	KNOB-CONTROL MIRROR	BP64-00462A		3
93	COVER-CTRL MIRROR	BP63-00277A	PC+GF20+	1
94	COVER-KNOB-CTRL	BP63-00340A	PE	1