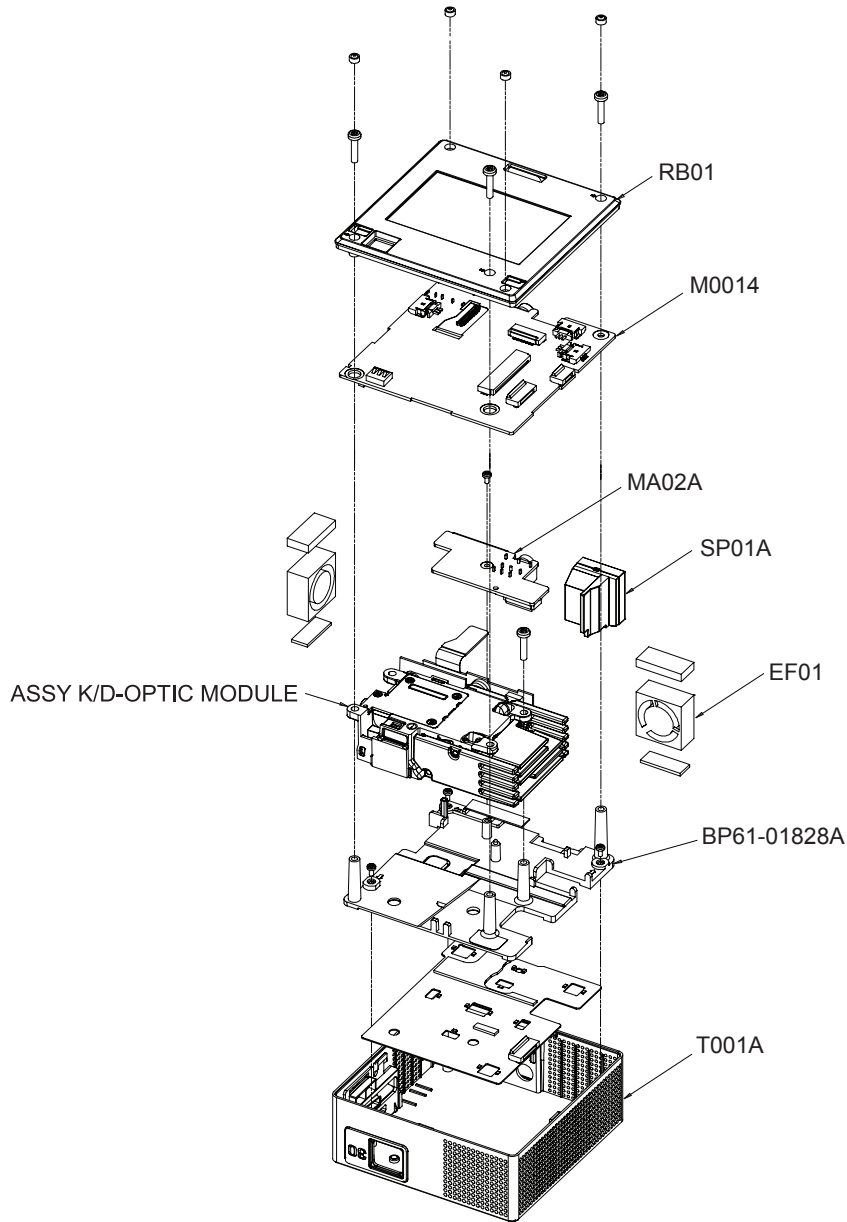


5. Exploded View & Part List

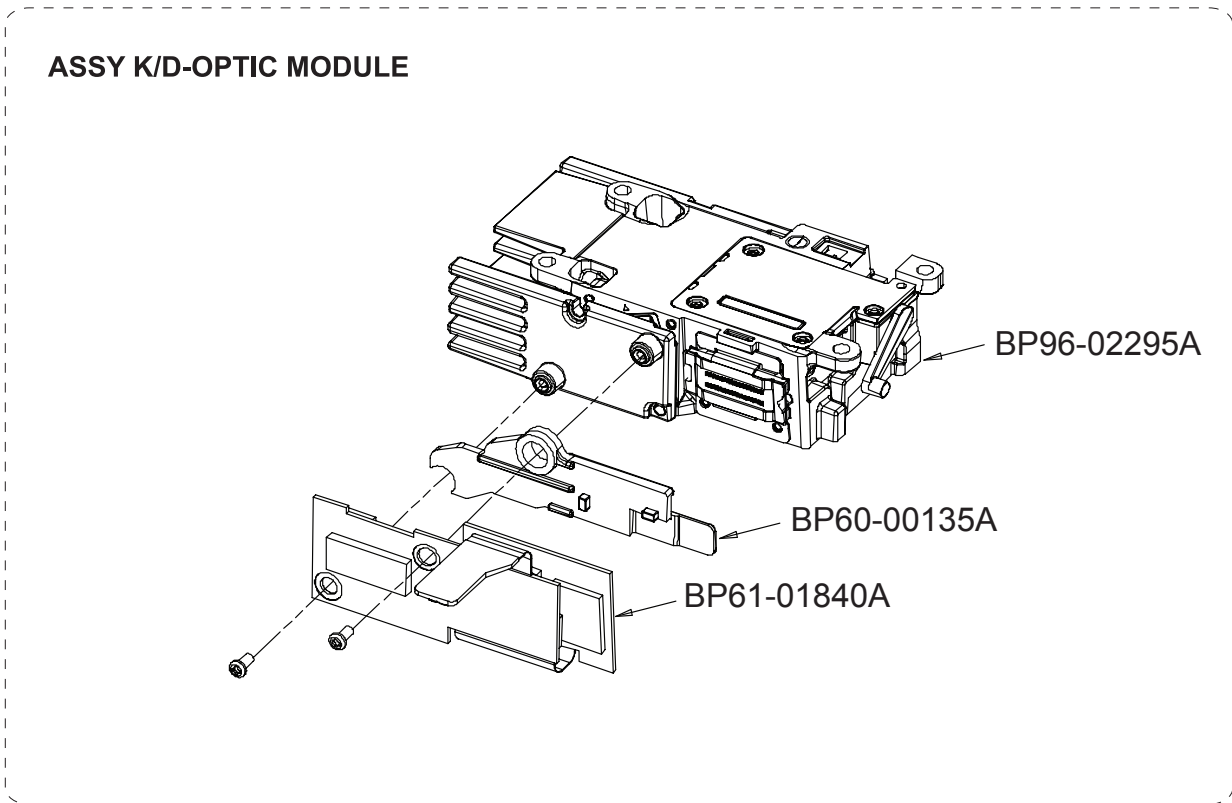
5-1. Exploded View



5-1-1. Parts List

Location No.	Code No.	Description & Specification	Q'ty	SA/SNA	Remark
EF01	BP31-00050A	FAN;H03,PLASTIC	2	SA	
M0014	BP94-02396A	ASSY PCB MISC-MAIN;SP0351VBX/EN	1	SA	
MA02A	BP94-02397A	ASSY PCB MISC-AV;SP0351VBX/EN	1	SA	
RB01	BP63-01349A	COVER-BOTTOM;SP-H03,Mg D/C,BLK Splay	1	SA	
SP01A	BN96-15061A	ASSY SPEAKER P;8ohm,2pin,1W,24.5mm	1	SA	
T001A	BP96-02342B	ASSY COVER P-TOP;H03(OBERON),ABS,BLK	1	SA	
	BP61-01828A	HOLDER-BOSS;H03,AL D/C,2	1	SA	
	BP98-00776A	ASSY K/D-OPTIC MODULE;SP0351VBX/EN	1	SNA	

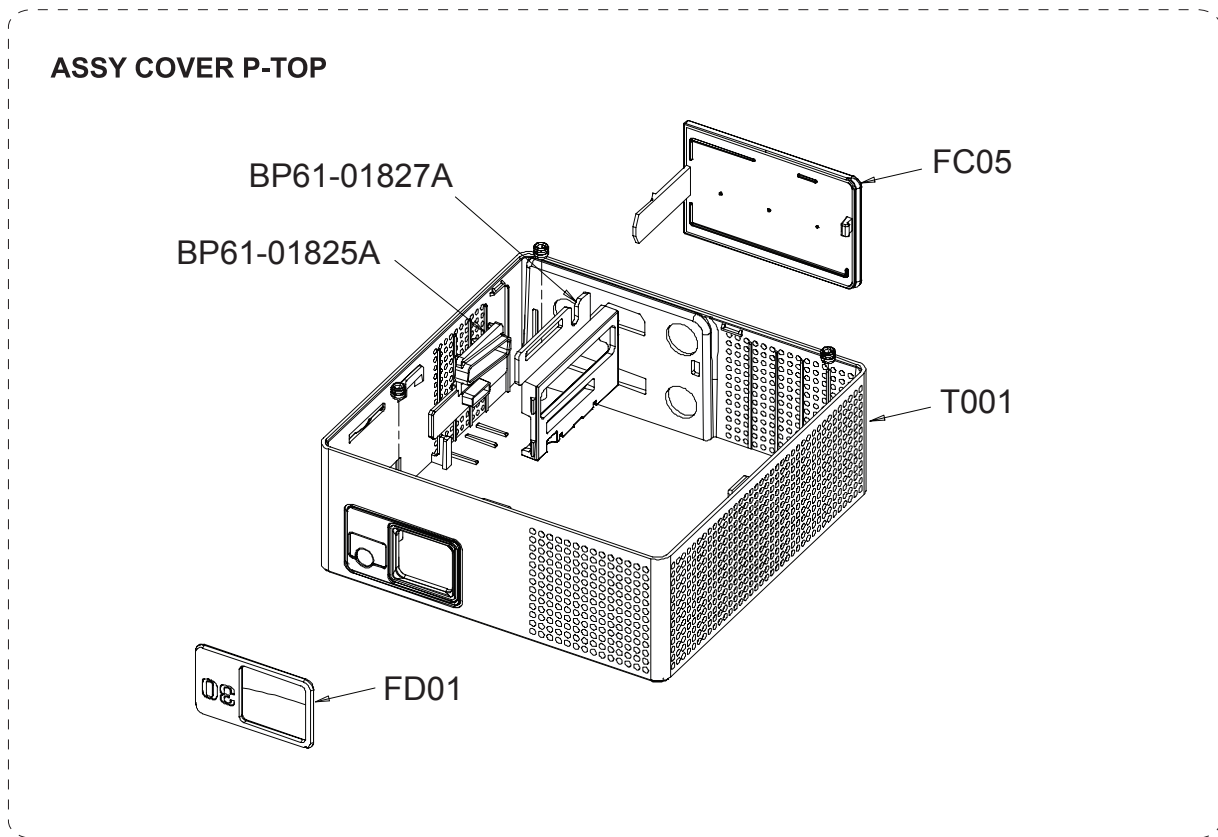
5-2. Assy Exploded View (ASSY K/D-OPTIC MODULE)



5-2-1. Parts List

Location No.	Code No.	Description & Specification	Q'ty	SA/SNA	Remark
	BP98-00776A	ASSY K/D-OPTIC MODULE;SP0351VBX/EN	1	SNA	
	BP96-02295A	ASSY LENS P-OPTIC MODULE;30lumen Pico pr	1	SNA	
	BP60-00135A	SPACER-WASHER;H03,PPS,2,V0	1	SA	
	BP61-01840A	HOLDER-LAMP-SCREW;H03(OBERON),STEEL,M1.6	2	SA	

5-3. Assy Exploded View (ASSY COVER P-TOP)



5-3-1. Parts List

Location No.	Code No.	Description & Specification	Q'ty	SA/SNA	Remark
T001A	BP96-02342B	ASSY COVER P-TOP;H03(OBERON),ABS,BLK	1	SA	
T001	BP63-01348A	COVER-TOP;SP-H03,ABS,Milky,Hotstamping,	1	SNA	
FC05	BP63-01350A	COVER-JACK;SP-H03,PC,BLK,PC/URETHAN	1	SNA	
FD01	BP63-01351A	COVER-DECORATION;SP-H03,Others,0.25T,Ni	1	SNA	
	BP61-01825A	HOLDER-FOCUS;SP-H03,PC,BLK	1	SNA	
	BP61-01827A	HOLDER-PLATE;SP-H03,POM,BLK	1	SNA	

5-4. Service Parts List

Description	Code No.	shape
MAIN BOARD	BP94-02396A	
DMD_LED DRIVER	BP94-02398A	
AV BOARD	BP94-02397A	
FAN	BP31-00050A	
SPEAKER	BN96-15061A	
ASSY LENS P-OPTIC MODULE	BP96-02295A	

5-5. Parts List

Service Bom (SA: SERVICE AVAILABLE, SNA: SERVICE NOT AVAILABLE)

Level	Location No.	Code No.	Description & Specification	Q'ty	SA/SNA	Remark
0.1		BP90-00485A	ASSY COVER TOP;SP0351VBX/EN	1	SNA	
..2		BP61-01838A	HOLDER-LAMP-SCREW;H03(OBERON),STEEL,M2,L	4	SNA	
..2		BP61-01839A	HOLDER-LAMP-SCREW;H03(OBERON),STEEL,M1.4	1	SA	
..2		BP63-01353A	SHEET-PAD H/S;H03,GP3000S30,0.5T,5,21.4	1	SNA	
..2		BP98-00776A	ASSY K/D-OPTIC MODULE;SP0351VBX/EN	1	SNA	
...3		BP60-00135A	SPACER-WASHER;H03,PPS,2,V0	1	SA	
...3		BP61-01840A	HOLDER-LAMP-SCREW;H03(OBERON),STEEL,M1.6	2	SA	
...3		BP96-02295A	ASSY LENS P-OPTIC MODULE;30lumen Pico pr	1	SNA	
....4	GD09	4719-002434	DLP;0.3" DMD,S220, DDR,854x480 WVGA	1	SA	
....4	GL09	BP07-00094A	LED DISPLAY;RED,PT16, RED, Type CX, G2.4	1	SA	
....4	GL09	BP07-00095A	LED DISPLAY;GREEN,PT16, GREEN, Type CX,	1	SA	
....4	GL09	BP07-00096A	LED DISPLAY;BLUE,PT16, BLUE, Type CX, G2	1	SA	
...3	GD01A	BP94-02398A	ASSY PCB MISC-DMD;SP0351VBX/EN	1	SA	
....4		0202-001463	SOLDER-WIRE;LFC2-W3.0,-,D3,99.79Sn/0.2Cu	0.383	SNA	
....4		0204-002420	SOLVENT;1M-1000,C3H70H,96	0.42	SNA	
....4		0204-002607	FLUX;DF-234U,13%,14KG,Gravity 0.82	0.273	SNA	
....4		0202-001608	SOLDER-WIRE FLUX;LFC7-107,D0.8,99.3Sn/0.	0.003	SNA	
....4		BP97-01456A	ASSY SMD;SP0351VBX/EN,301	1	SNA	
.....5		0202-001477	SOLDER-CREAM;LST309-M,D20~45um,96.5Sn/3A	0.443	SNA	
.....5	D0254	0404-001373	DIODE-SCHOTTKY;PD3S160,60V,1000mA,PowerD	1	SNA	
.....5		0505-002707	FET-SILICON;ZXMN2F34MATA,N,20V,8.5A,0.12	3	SA	
.....5	ND51C2	1001-001155	IC-ANALOG MULTIPLEX;NC7SB3157P6X,CMOS,SC	3	SA	
.....5		1105-002105	IC-MOBILE SDRAM;K4X56163PI-FGC6,Mobile D	1	SNA	
.....5		1203-003505	IC-DC/DC CONVERTER;TPS65120,QFN,16P,3x3m	1	SA	
.....5		1203-005673	IC-POSI.ADJUST REG.;TPS71501DCKR,SC-70,5	1	SA	
.....5		1203-006287	IC-POSI.ADJUST REG.;MP2002DD,QFN,8P,3x2m	2	SA	
.....5		1203-006341	IC-DC/DC CONVERTER;TPS63020DSJ,SON-14,14	1	SA	
.....5		1204-003147	IC-VIDEO PROCESS;DPP2605,CTBGA,233P,10x1	1	SA	
.....5	R105	2007-000138	R-CHIP;100ohm,5%,1/16W,TP,1005	4	SA	
.....5	AR49	2007-000140	R-CHIP;1Kohm,5%,1/16W,TP,1005	4	SNA	
.....5	R104	2007-000148	R-CHIP;10Kohm,5%,1/16W,TP,1005	3	SA	
.....5	MR13	2007-000157	R-CHIP;47Kohm,5%,1/16W,TP,1005	1	SNA	
.....5	DR39	2007-000162	R-CHIP;100Kohm,5%,1/16W,TP,1005	4	SNA	
.....5		2007-000167	R-CHIP;390Kohm,5%,1/16W,TP,1005	1	SNA	
.....5	R509	2007-000170	R-CHIP;1Mohm,5%,1/16W,TP,1005	2	SNA	
.....5	R111	2007-000171	R-CHIP;0ohm,5%,1/16W,TP,1005	6	SNA	
.....5	PR4	2007-000265	R-CHIP;1.8Kohm,1%,1/10W,TP,1608	3	SA	
.....5		2007-000336	R-CHIP;120Kohm,1%,1/10W,TP,1608	1	SA	
.....5	R124	2007-000775	R-CHIP;33Kohm,5%,1/16W,TP,1005	1	SNA	
.....5		2007-001113	R-CHIP;680Kohm,5%,1/8W,TP,2012	1	SA	
.....5		2007-001295	R-CHIP;39ohm,5%,1/16W,TP,1005	2	SA	
.....5	R326	2007-001325	R-CHIP;3.3Kohm,5%,1/16W,TP,1005	4	SNA	
.....5		2007-003016	R-CHIP;3Mohm,5%,1/16W,TP,1005	1	SC	

5. Exploded View & Part List

Level	Location No.	Code No.	Description & Specification	Q'ty	SA/SNA	Remark
.....5	R365	2007-007107	R-CHIP;100Kohm,1%,1/16W,TP,1005	6	SNA	
.....5		2007-007132	R-CHIP;15Kohm,1%,1/16W,TP,1005	1	SA	
.....5	DR4	2007-007142	R-CHIP;10Kohm,1%,1/16W,TP,1005	2	SNA	
.....5		2007-007306	R-CHIP;100ohm,1%,1/16W,TP,1005	1	SNA	
.....5		2007-007312	R-CHIP;20Kohm,1%,1/16W,TP,1005	1	SA	
.....5		2007-007318	R-CHIP;1Kohm,1%,1/16W,TP,1005	4	SNA	
.....5		2007-008121	R-CHIP;0.33ohm,5%,1/4W,TP,3216	2	SA	
.....5		2007-008275	R-CHIP;30Kohm,1%,1/16W,TP,1005	3	SNA	
.....5		2007-008294	R-CHIP;33ohm,1%,1/16W,TP,1005	1	SA	
.....5		2007-008502	R-CHIP;499Kohm,1%,1/16W,TP,1005	1	SC	
.....5		2007-010412	R-CHIP;365Kohm,1%,1/16W,TP,1005	1	SA	
.....5		2007-010413	R-CHIP;22.6Kohm,1%,1/16W,TP,1005	3	SA	
.....5	C409	2203-000292	C-CER,CHIP;0.01nF,5%,50V,C0G,1608	2	SA	
.....5	AC139	2203-000491	C-CER,CHIP;2.2nF,10%,50V,X7R,1608	18	SA	
.....5	AD480	2203-000761	C-CER,CHIP;330nF,10%,16V,X7R,TP,2012,-	3	SNA	
.....5	AD480	2203-002285	C-CER,CHIP;10nF,10%,50V,X7R,1005	3	SNA	
.....5	AC2	2203-002711	C-CER,CHIP;100nF,10%,25V,X7R,1608	1	SA	
.....5	AD480	2203-005393	C-CER,CHIP;0.005nF,0.1pF,50V,NP0,TP,1005	1	SNA	
.....5	VC37	2203-006048	C-CER,CHIP;100nF,10%,10V,X7R,TP,1005	18	SA	
.....5	PC11	2203-006141	C-CER,CHIP;1000nF,10%,16V,X5R,1608	1	SNA	
.....5	JC10	2203-006324	C-CER,CHIP;2200nF,10%,10V,X5R,1608	2	SA	
.....5	C125	2203-006361	C-CER,CHIP;10000nF,10%,10V,X5R,TP,2012	3	SC	
.....5	AD480	2203-006427	C-CER,CHIP;4700nF,10%,16V,X5R,TP,2012	1	SA	
.....5	AD480	2203-006460	C-CER,CHIP;2200nF,10%,16V,X5R,1608	1	SA	
.....5	HE4	2203-006474	C-CER,CHIP;22000nF,20%,6.3V,X5R,2012	5	SA	
.....5	AD480	2203-006636	C-CER,CHIP;220nF,10%,25V,X7R,1608	3	SA	
.....5	AD480	2203-006681	C-CER,CHIP;100nF,+80-20%,25V,Y5V,1005	1	SNA	
.....5	AD480	2203-006841	C-CER,CHIP;1000nF,10%,16V,X5R,1005	1	SNA	
.....5	AD480	2203-006992	C-CER,CHIP;0.33nF,5%,50V,C0G,TP,1005	8	SNA	
.....5	AD480	2203-007270	C-CER,CHIP;10000nF,10%,10V,X5R,TP,1608	9	SNA	
.....5	T0052	2703-000125	INDUCTOR-SMD;10uH,10%,2012	1	SA	
.....5	T0052	2703-003252	INDUCTOR-SMD;1.2uH,20%,5050	1	SA	
.....5		2804-001906	OSCILLATOR-CLOCK;33.333300MHz,50ppm,15pF	1	SA	
.....5	T0568	3301-001236	BEAD-SMD;60ohm,1608	1	SNA	
.....5	T0568	3301-002039	BEAD-SMD;26ohm,1608,TP	17	SA	
.....5		3708-002848	CONNECTOR-FPC/FFC/PIC;18P,0.5mm,SMD-A,AU	1	SA	
.....5		BP41-00399A	PCB SUB-DMD;SP-H03,FR-4,8,MP1.0,0.7,63X4	1	SNA	
.....5		BP97-01460A	ASSY MICOM-DMD;SP-H03,PROJECT	1	SNA	
.....6		1107-001916	IC-NOR FLASH;W25Q16BVSSIG,16Mbit,2Mbitx8	1	SNA	
.....5		3710-002957	SOCKET-BOARD TO BOARD;50P,2R,0.4mm,SMD-S	2	SNA	
..2		BP98-00789A	ASSY K/D-FAN;SP0351VBX/EN	1	SNA	
...3	EF01	BP31-00050A	FAN;H03,PLASTIC	2	SA	
...3		BP72-00127A	SPONGE;H03,URETHANE,3,FAN	2	SA	
...3		BP74-01002A	TAPE-ETC;H03,T1.0,V0	2	SA	
...3		BP74-01005A	TAPE-ETC;H03,T0.08,33x33,BLACK	2	SA	
..2	T001A	BP96-02342B	ASSY COVER P-TOP;H03(OBERON),ABS,BLK	1	SA	
...3	CCM1	BN63-02183C	COVER-SHEET;RhcM,PE Vinyl,T0.04,200mm,20	0.2	SNA	
...3		BP61-01825A	HOLDER-FOCUS;SP-H03,PC,BLK	1	SNA	
...3		BP61-01827A	HOLDER-PLATE;SP-H03,POM,BLK	1	SNA	

5. Exploded View & Part List

Level	Location No.	Code No.	Description & Specification	Q'ty	SA/SNA	Remark
...3		BP61-01828A	HOLDER-BOSS;H03,AL D/C,2	1	SA	
...3	T001	BP63-01348A	COVER-TOP;SP-H03,ABS,Milky,Hotstamping,	1	SNA	
....4	T0254	BN60-00113A	FASTENER-PEM NUT;PAPYRUS,SUM24L,M1.4,10.	2	SNA	
...3		BP63-01382A	GASKET;SP-H03,FOIL,1,11.5,18.8,SILVER	1	SNA	
...3		BP96-02365A	ASSY BOARD P-TOUCH PAD;Oberon,CT5000-806	1	SNA	
...3	FL06	BP96-02376A	ASSY CABLE P-FFC;SP-H03,FFC CABLE,40MM,1	1	SNA	
...3		BP61-01839A	HOLDER-LAMP-SCREW;H03(OBERON),STEEL,M1.4	1	SA	
...3	FC05	BP63-01350A	COVER-JACK;SP-H03,PC,BLK,PC/URETHAN	1	SNA	
...3	FD01	BP63-01351A	COVER-DECORATION;SP-H03,Others,0.25T,Ni	1	SNA	
0.1		BP90-00486A	ASSY COVER BOTTOM;SP0351VBX/EN	1	SNA	
..2	RB01	BP63-01349A	COVER-BOTTOM;SP-H03,Mg D/C,BLK Splay	1	SA	
..2		BP73-00161A	RUBBER-FOOT;SP-H03,SILICON,BLK	4	SNA	
0.1		BP91-02189A	ASSY MISC-CHASSIS;SP0351VBX/EN	1	SNA	
..2	M0014	BP94-02396A	ASSY PCB MISC-MAIN;SP0351VBX/EN	1	SA	
...3		0202-001463	SOLDER-WIRE;LFC2-W3.0,-,D3,99.79Sn/0.2Cu	0.967	SNA	
...3		0204-002420	SOLVENT;1M-1000,C3H7OH,96	3.91	SNA	
...3		0204-002607	FLUX;DF-234U,13%,14KG,Gravity 0.82	2.546	SNA	
...3		0202-001608	SOLDER-WIRE FLUX;LFC7-107,D0.8,99.3Sn/0.	0.025	SNA	
...3		BP97-01454A	ASSY SMD;SP0351VBX/EN,301	1	SNA	
....4		0202-001477	SOLDER-CREAM;LST309-M,D20~45um,96.5Sn/3A	1.416	SNA	
....4	MZD1	0403-001411	DIODE-ZENER;5.49-5.73V,200mW,SOD-323,TP	3	SA	
....4	D0254	0404-001404	DIODE-SCHOTTKY;BAT721C,40V,200mA,SOT-23,	1	SA	
....4		0501-000434	TR-SMALL SIGNAL;KTC3875S-GR,NPN,150mW,SO	4	SA	
....4	Q409	0505-001905	FET-SILICON;2N7002,N,60V,115mA,7.5ohm,0.	19	SA	
....4	Q409	0505-002386	FET-SILICON;AO3415AL,P,-20V,-4A,0.045ohm	7	SA	
....4		0902-002562	IC-MICROPROCESSOR;TCC9101G-0BX,120Mhz,FP	1	SA	
....4	ND51C2	1001-001155	IC-ANALOG MULTIPLEX;NC7SB3157P6X,CMOS,SC	1	SA	
....4		1002-001556	IC-A/D&D/A CONVERTER;CS42L52CNZR,8,QFN,4	1	SNA	
....4		1105-001859	IC-DDR2 SDRAM;K4T1G164QD-ZCE7,DDR2,1Gbit	1	SA	
....4		1203-004363	IC-VOL. DETECTOR;RT9818C-29PV,SOT-23,3P,	1	SA	
....4	IC150	1203-004618	IC-SWITCH REG.;MP3213DH,MSOP,8P,3x3mm,PL	1	SA	
....4		1203-005923	IC-DC/DC CONVERTER;TPS63031DSKR,QFN,10P,	1	SA	
....4		1203-006127	IC-DC/DC CONVERTER;MP28253EL,QFN,14P,3x4	1	SA	
....4		1203-006196	IC-BATTERY;MAX8903AETI+T,TQFN,28P,4x4mm,	1	SA	
....4		1203-006287	IC-POSI.ADJUST REG.;MP2002DD,QFN,8P,3x2m	1	SA	
....4		1203-006347	IC-DC/DC CONVERTER;MP2125DL,QFN,14P,3x4m	1	SA	
....4		1204-003174	IC-VIDEO PROCESS;TW8816-BB3-GR,TFBGA,144	1	SNA	
....4		1405-001233	VARISTOR;30Vdc,5A,1.6x0.8x0.8mm,TP	11	SA	
....4	ND51C2	2007-000066	R-CHIP;20Kohm,1%,1/10W,TP,1608	1	SNA	
....4	R512	2007-000107	R-CHIP;470Kohm,5%,1/10W,TP,1608	1	SA	
....4	MR604	2007-000137	R-CHIP;2Kohm,5%,1/16W,TP,1005	5	SNA	
....4	R105	2007-000138	R-CHIP;100ohm,5%,1/16W,TP,1005	5	SA	
....4	AR49	2007-000140	R-CHIP;1Kohm,5%,1/16W,TP,1005	4	SNA	
....4	R319	2007-000143	R-CHIP;4.7Kohm,5%,1/16W,TP,1005	11	SNA	
....4	RR33	2007-000154	R-CHIP;24Kohm,5%,1/16W,TP,1005	1	SA	
....4	AR43	2007-000155	R-CHIP;27Kohm,5%,1/16W,TP,1005	1	SNA	
....4	MR13	2007-000157	R-CHIP;47Kohm,5%,1/16W,TP,1005	5	SNA	

5. Exploded View & Part List

Level	Location No.	Code No.	Description & Specification	Q'ty	SA/SNA	Remark
....4	DR39	2007-000162	R-CHIP;100Kohm,5%,1/16W,TP,1005	5	SNA	
....4	VR9	2007-000164	R-CHIP;150Kohm,5%,1/16W,TP,1005	1	SA	
....4	R111	2007-000171	R-CHIP;0ohm,5%,1/16W,TP,1005	72	SNA	
....4	UR23	2007-000174	R-CHIP;47ohm,5%,1/16W,TP,1005	1	SNA	
....4	ER13	2007-000669	R-CHIP;2Kohm,1%,1/10W,TP,1608	6	SNA	
....4	R945	2007-000726	R-CHIP;300ohm,1%,1/10W,TP,1608	1	SA	
....4	V8932	2007-000857	R-CHIP;4.3Kohm,1%,1/10W,TP,1608	1	SNA	
....4	OTR1	2007-001292	R-CHIP;33ohm,5%,1/16W,TP,1005	5	SNA	
....4		2007-001295	R-CHIP;39ohm,5%,1/16W,TP,1005	8	SA	
....4	MR31	2007-001305	R-CHIP;120ohm,5%,1/16W,TP,1005	1	SNA	
....4	CER07	2007-001308	R-CHIP;200ohm,5%,1/16W,TP,1005	2	SNA	
....4		2007-007008	R-CHIP;300ohm,5%,1/16W,TP,1005	2	SNA	
....4	R365	2007-007107	R-CHIP;100Kohm,1%,1/16W,TP,1005	8	SNA	
....4		2007-007132	R-CHIP;15Kohm,1%,1/16W,TP,1005	1	SA	
....4		2007-007134	R-CHIP;39Kohm,1%,1/16W,TP,1005	1	SA	
....4		2007-007136	R-CHIP;4.7Kohm,1%,1/16W,TP,1005	9	SNA	
....4	DR4	2007-007142	R-CHIP;10Kohm,1%,1/16W,TP,1005	40	SNA	
....4	MR601	2007-007307	R-CHIP;150ohm,1%,1/16W,TP,1005	1	SNA	
....4		2007-007309	R-CHIP;12Kohm,1%,1/16W,TP,1005	2	SA	
....4		2007-007318	R-CHIP;1Kohm,1%,1/16W,TP,1005	7	SNA	
....4		2007-007573	R-CHIP;330Kohm,1%,1/16W,TP,1005	1	SC	
....4	R133	2007-007651	R-CHIP;9.1Kohm,1%,1/10W,TP,1608	1	SA	
....4		2007-007733	R-CHIP;51ohm,1%,1/10W,TP,1608	2	SA	
....4		2007-007797	R-CHIP;44.2ohm,1%,1/10W,TP,1608	1	SA	
....4		2007-007942	R-CHIP;1Mohm,1%,1/16W,TP,1005	2	SA	
....4		2007-008035	R-CHIP;160Kohm,1%,1/10W,TP,1608	1	SA	
....4		2007-008263	R-CHIP;3Kohm,1%,1/16W,TP,1005	2	SNA	
....4		2007-008275	R-CHIP;30Kohm,1%,1/16W,TP,1005	1	SNA	
....4		2007-008296	R-CHIP;680Kohm,1%,1/16W,TP,1005	1	SNA	
....4		2007-010406	R-CHIP;412Kohm,1%,1/16W,TP,1005	1	SA	
....4		2007-010412	R-CHIP;365Kohm,1%,1/16W,TP,1005	1	SA	
....4	ZRN10	2011-001261	R-NETWORK;33ohm,5%,1/16W,L,CHIP,8P,TP,2.	6	SA	
....4		2011-001427	R-NETWORK;0ohm,5%,1/16W,L,CHIP,8P,TP,2.0	7	SA	
....4	MC2	2203-000254	C-CER,CHIP;10nF,10%,16V,X7R,TP,1005	2	SA	
....4	C409	2203-000292	C-CER,CHIP;0.01nF,5%,50V,C0G,1608	1	SA	
....4	VC4	2203-000357	C-CER,CHIP;0.15nF,5%,50V,C0G,1608	4	SNA	
....4	DC1	2203-000386	C-CER,CHIP;.015nF,5%,50V,C0G,TP,1005	2	SA	
....4	C137	2203-000604	C-CER,CHIP;22nF,10%,25V,X7R,TP,1608	2	SNA	
....4	AD480	2203-001391	C-CER,CHIP;150nF,10%,25V,X7R,TP,2012	1	SA	
....4	AC28	2203-001607	C-CER,CHIP;0.22nF,5%,50V,NP0,1608	2	SA	
....4	AD480	2203-002285	C-CER,CHIP;10nF,10%,50V,X7R,1005	4	SNA	
....4	AC2	2203-002711	C-CER,CHIP;100nF,10%,25V,X7R,1608	2	SA	
....4	C155	2203-002834	C-CER,CHIP;0.022nF,5%,50V,CH,BK,1005	2	SNA	
....4	AD480	2203-006126	C-CER,CHIP;47nF,10%,16V,X7R,1005	1	SNA	
....4	C102	2203-006158	C-CER,CHIP;100nF,10%,16V,X7R,1005	109	SNA	
....4	JC10	2203-006324	C-CER,CHIP;2200nF,10%,10V,X5R,1608	1	SA	
....4	AD480	2203-006336	C-CER,CHIP;10000nF,10%,25V,X5R,3216	2	SA	
....4	C125	2203-006361	C-CER,CHIP;10000nF,10%,10V,X5R,TP,2012	45	SC	
....4	AD480	2203-006377	C-CER,CHIP;4700NF,10%,25V,X5R,-,2012	1	SNA	
....4	HDC11	2203-006562	C-CER,CHIP;1000nF,10%,10V,X5R,TP,1005	13	SNA	

5. Exploded View & Part List

Level	Location No.	Code No.	Description & Specification	Q'ty	SA/SNA	Remark
....4	AD480	2203-006824	C-CER,CHIP;4700nF,10%,10V,X5R,1608	3	SNA	
....4	AD480	2203-007270	C-CER,CHIP;10000nF,10%,10V,X5R,TP,1608	1	SNA	
....4	S1Q0552	2703-000371	INDUCTOR-SMD;4.7uH,5%,2520	2	SA	
....4	T0052	2703-003150	INDUCTOR-SMD;4.7uH,20%,5050	2	SNA	
....4	T0052	2703-003252	INDUCTOR-SMD;1.2uH,20%,5050	3	SA	
....4	T0052	2703-003718	INDUCTOR-SMD;2.2uH,20%,3.8x3.8x2.0mm	1	SA	
....4	X202	2801-004868	CRYSTAL-SMD;12MHz,50ppm,8pF,100ohm,TP	1	SA	
....4	X202	2801-004885	CRYSTAL-SMD;27MHz,50ppm,BMC-30,18pF,100o	1	SA	
....4	T0568	3301-001594	BEAD-SMD;90ohm,2.0*1.2*1.3mm,TP,-,-	1	SNA	
....4	T0568	3301-002039	BEAD-SMD;26ohm,1608,TP	34	SA	
....4	AC510	3708-002624	CONNECTOR-FPC/FFC/PIC;8P,0.5mm,SMD-A,AU,	1	SA	
....4		3708-002849	CONNECTOR-FPC/FFC/PIC;14P,0.5mm,SMD-A,AU	2	SA	
....4		3709-001527	CONNECTOR-CARD EDGE;10P,8mm,AU,MICRO SD	1	SNA	
....4		3711-005980	HEADER-BATTERY;NOWALL,3P,1R,2mm,BATTERY,	1	SNA	
....4		3711-007476	HEADER-BOARD TO BOARD;BOX,50P,2R,0.4mm,S	1	SA	
....4		3722-002528	JACK-USB;5P,AU30U,BLK,SMD-A,MINI USB B	1	SA	
....4		BP41-00398A	PCB MAIN;SP-H03,FR-4,8,MP1.0,1,66x66mm,O	1	SNA	
....4	IS01	1209-001880	IC-SENSOR;BDE0900G,SSOP5,5P,2.9x1.6x1.25	1	SNA	
....4		1405-001232	VARISTOR;5.6Vdc,30A,1.6x0.8x0.8mm,TP	2	SNA	
....4	HR10	2007-001320	R-CHIP;1.8Kohm,5%,1/16W,TP,1005	1	SA	
....4		2007-007315	R-CHIP;3.9Kohm,1%,1/16W,TP,1005	1	SNA	
....4		2007-007791	R-CHIP;9.1Kohm,1%,1/16W,TP,1005	1	SNA	
....4		BP97-01465A	ASSY MICOM-MAIN;H03	1	SNA	
....5	NAND2	1107-001774	IC-NAND FLASH;K9G8G08U0A-PCB0,1GByte,1Gx	1	SNA	
....4		BP97-01466A	ASSY MICOM-SUB;H03	1	SNA	
....5	IC115	1107-001614	IC-FLASH MEMORY;MX25L1005,1Mbit,1Mx1,SOP	1	SNA	
....4	CER04	2007-000084	R-CHIP;4.7Kohm,5%,1/10W,TP,1608	1	SA	
....4	D2507	0402-001075	DIODE-RECTIFIER;MBR0520L,20V,.5A,SOD-123	1	SNA	
....4	EH01	3711-006941	HEADER-BOARD TO CABLE;BOX,3P,1R,1.25mm,S	3	SNA	
....4		3722-003056	JACK-PHONE;1P/6C,AU,BLK,SMD-A	1	SA	
....4		3722-003108	JACK-DC POWER;1P,1.65PI,SN,BLK	1	SA	
....4		0406-001181	DIODE-TVS;NUP4201MR6,6/-V,500W,TSOP-6	1	SA	
..2	MA02A	BP94-02397A	ASSY PCB MISC-AV;SP0351VBX/EN	1	SA	
...3		0202-001463	SOLDER-WIRE;LFC2-W3.0,-,D3,99.79Sn/0.2Cu	0.285	SNA	
...3		0204-002420	SOLVENT;1M-1000,C3H7OH,96	2.62	SNA	
...3		0204-002607	FLUX;DF-234U,13%,14KG,Gravity 0.82	1.707	SNA	
...3		BP97-01455A	ASSY SMD;SP0351VBX/EN,301	1	SNA	
....4		0202-001477	SOLDER-CREAM;LST309-M,D20~45um,96.5Sn/3A	0.154	SNA	
....4		0403-001180	DIODE-ZENER;BZX84C6V2,5.8-6.6V,350mW,SOT	2	SA	
....4	D0254	0404-001404	DIODE-SCHOTTKY;BAT721C,40V,200mA,SOT-23,	2	SA	
....4	Q101	0501-000445	TR-SMALL SIGNAL;KTC3875S-Y,NPN,150mW,SOT	1	SA	
....4		1405-001233	VARISTOR;30Vdc,5A,1.6x0.8x0.8mm,TP	12	SA	
....4	R105	2007-000138	R-CHIP;100ohm,5%,1/16W,TP,1005	10	SA	
....4	MR13	2007-000157	R-CHIP;47Kohm,5%,1/16W,TP,1005	4	SNA	
....4	R111	2007-000171	R-CHIP;0ohm,5%,1/16W,TP,1005	1	SNA	
....4	R124	2007-000775	R-CHIP;33Kohm,5%,1/16W,TP,1005	2	SNA	
....4	DR4	2007-007142	R-CHIP;10Kohm,1%,1/16W,TP,1005	3	SNA	

5. Exploded View & Part List

Level	Location No.	Code No.	Description & Specification	Q'ty	SA/SNA	Remark
....4	MR11	2007-008015	R-CHIP;75ohm,1%,1/16W,TP,1005	4	SNA	
....4	C258	2203-000236	C-CER,CHIP;0.1nF,5%,50V,C0G,1608	4	SA	
....4	AD480	2203-000550	C-CER,CHIP;0.02nF,5%,50V,C0G,1005	4	SNA	
....4	C125	2203-006361	C-CER,CHIP;10000nF,10%,10V,X5R,TP,2012	1	SC	
....4	T0052	2703-000125	INDUCTOR-SMD;10uH,10%,2012	2	SA	
....4	BD401	3301-001569	BEAD-SMD;600ohm,2012,1000mA,TP,520ohm/90	1	SNA	
....4		3708-002849	CONNECTOR-FPC/FFC/PIC;14P,0.5mm,SMD-A,AU	1	SA	
....4	CN906	3711-007346	CONNECTOR- HEADER;BOX,18P,1R,0.6mm,SMD-A,	1	SA	
....4		BP41-00400A	PCB SUB-AV;SP-H03,FR-4,2,MP1.0,1,23x20mm	1	SNA	
....4		BP97-01459A	ASSY MICOM-AV;SP-H03,PROJECT	1	SNA	
.....5	IC112	1103-001310	IC-EEPROM;24LC02B,256X8BIT,SOIC,8P,3.91X	1	SNA	
....4	JA330	3722-002845	JACK-PHONE;1/7P,NI,YELLOW,ANGLE	1	SA	
...3		0202-001608	SOLDER-WIRE FLUX;LFC7-107,D0.8,99.3Sn/0.	0.003	SNA	
0.1		BP91-02190A	ASSY FIXING;SP0351VBX/EN	1	SNA	
..2	SP01A	BN96-15061A	ASSY SPEAKER P;8ohm,2pin,1W,24.5mm	1	SA	
..2		BP43-01001A	BATTERY;1102-01960D,SP-H03,Li-ion,2,1480	1	SA	
..2		BP63-01380A	GASKET;SP-H03,FOIL,9,5,20,SILVER	1	SNA	
..2		BP63-01381A	GASKET;SP-H03,FOIL,3,5,15,SILVER	1	SNA	
..2	FL06	BP96-02376A	ASSY CABLE P-FFC;SP-H03,FFC CABLE,40MM,1	1	SNA	
0.1	ACCE1	BP92-02192A	ASSY ACCESSORY;SP0351VBX/EN	1	SNA	
..2	ACCE1	BP96-02341A	ASSY ACCESSORY;SP0351VBX/EN	1	SNA	
...3		BN69-05326A	BOX-IB;PICO(SP-H03),PAPER,NON-STANDARD M	1	SNA	
...3		BP59-00143A	S/W DRIVER-00,IB;SP-H03,24Lang,W/W,Obero	1	SNA	
...3		BP68-00697A	MANUAL FLYER-QSG;SP-H03,Samsung,16Lang,E	1	SNA	
...3	T0527	BN68-00513A	LABEL-E,PASS;ALL MODEL,YUPO(110G),50X15,	1	SNA	
...3		BN68-01925N	MANUAL FLYER-WARRANTY CARD;comm,Samsung,	1	SNA	
...3		BP68-00683B	MANUAL FLYER-WARRANTY CARD;comm,Samsung,	1	SNA	
...3		BP68-00655B	MANUAL FLYER-CAUTION;SP-H03,Samsung,19La	1	SNA	
...3		BP68-00697C	MANUAL FLYER-FERRITE CORE;SP- H03,Samsung	1	SNA	
..2	ACCE1	BP96-02354A	ASSY ACCESSORY;PROJECT	1	SNA	
...3	T0268	3903-000382	CBF-POWER CORD;DT,EU,LP-21,250/250V,2.5/	1	SA	
...3	M0158	BN44-00133C	DC VSS(A);SAD1212,IPANEMA/SWAN,110/230V,	1	SA	
...3		BN69-05325A	BOX-ACCESSORY;PICO(SP-H03),PAPER,NON- STA	1	SNA	
...3	ACCE1	BP96-02388A	ASSY ACCESSORY;PICO EN	1	SNA	
....4		6902-001266	BAG ZIPPER;LDPE,T0.05,W100,L150,TRP,SUF	1	SNA	
....4	M0114	BN39-01154E	CBF SIGNAL;Chelsea Slim, STEREO Plug to	1	SA	
....4		BN39-01154K	CBF SIGNAL-D SUB GENDER;UE40C7700WSXZG,1	1	SA	
....4	T0725	GK39-00013C	CBF INTERFACE-USB;MYGENIE(DMB 10"),4P/5P	1	SA	
0.1		BP92-02202A	ASSY BOX;SP0351VBX/EN	1	SNA	
..2		BN69-05235A	BOX-SET;PICO,PAPER,NON-STANDARD MANILA,W	1	SNA	
..2		BN69-05251A	BOX-01,MASTER;PICO,CB,A-01,SW2, YEL,W477	1	SNA	
..2	T0527	AA68-02789A	LABEL-00,BAR,SERIAL;MOJO,80,50,WHT,BARCO	1	SNA	
..2		BN68-02398A	LABEL-01,SEALING;E5(E-BOOK),art paper,w5	2	SNA	
..2	T0527	BN68-00134L	LABEL-BOX,01;ALL MODEL,MOJO 90G,120X90,W	1	SNA	
0.1		BP92-02203A	ASSY P/MATERIAL;SP0351VBX/EN	1	SNA	

5. Exploded View & Part List

Level	Location No.	Code No.	Description & Specification	Q'ty	SA/SNA	Remark
..2		6902-000061	BAG AIR;LDPE,T0.2,W500,L1000,TRP,370.000	1	SNA	
..2		6902-000379	BAG AIR;LDPE,T0.2,W1000,L1800,TRP,1260.0	1	SNA	
..2		6902-000604	BAG WRAPPING;LDPE,T0.02,W500,L10000,TRP,	0.7	SNA	
..2		6902-000609	BAG ROLL;LDPE,T0.05,W2400,L1000,TRP,30.0	0.02	SNA	
..2		BH69-00457B	PACKING INNER-00,PAD;COMM,OTHER,T3.0,930	1	SNA	
..2		BH69-40383M	PACKING INNER-00,PAD;COMM,CB,1000,800,YE	1	SNA	
..2		BN69-00391Y	PAD-ANGLE;CB,T5,W2100,L50,YEL,403g	1	SNA	
..2		BN69-00617M	PALLET-PACKING;RL17PS,WOOD,1280,970,120	1	SNA	
..2		6902-000457	BAG PE;LDPE,T0.05,W140,L210,CLR	1	SNA	
..2		BP63-01370A	COVER-BAG;SP-H03,Textile,PAUCH	1	SA	
..2		6902-000704	BAG PE;HDPE/NITRON/HDPE,T0.015/T0.5/T0.0	1	SNA	
..2	T0214	0203-001269	TAPE-OPP MASKING;#301,T0.06,W75,L50000,N	0.13	SNA	
0.1		BP92-02243A	ASSY LABEL;OBERON	1	SNA	
..2		BN68-02132A	LABEL-RATING;PET,T0.05,50,32,W/W	1	SNA	