

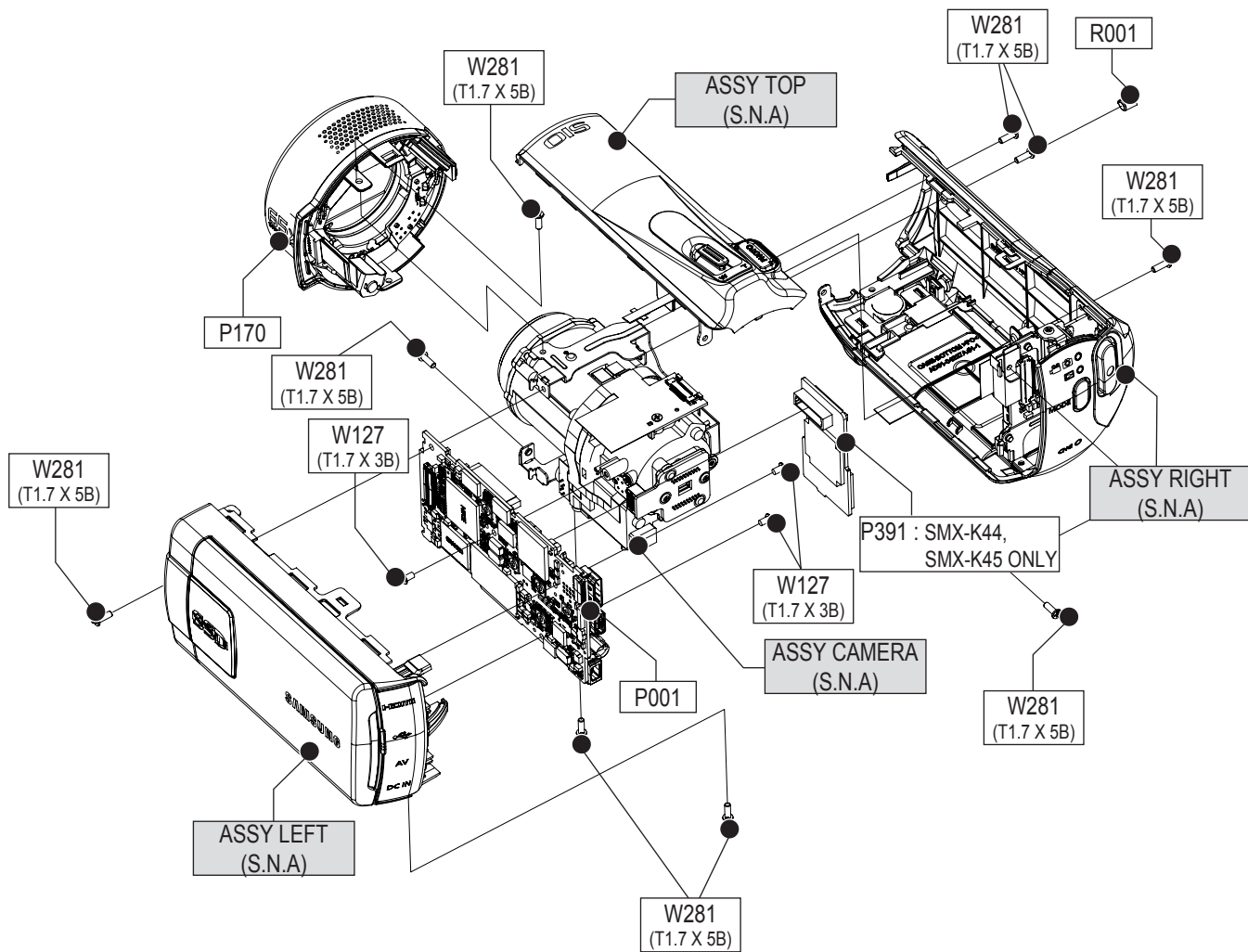
---

## 5. Exploded View and Parts List

---

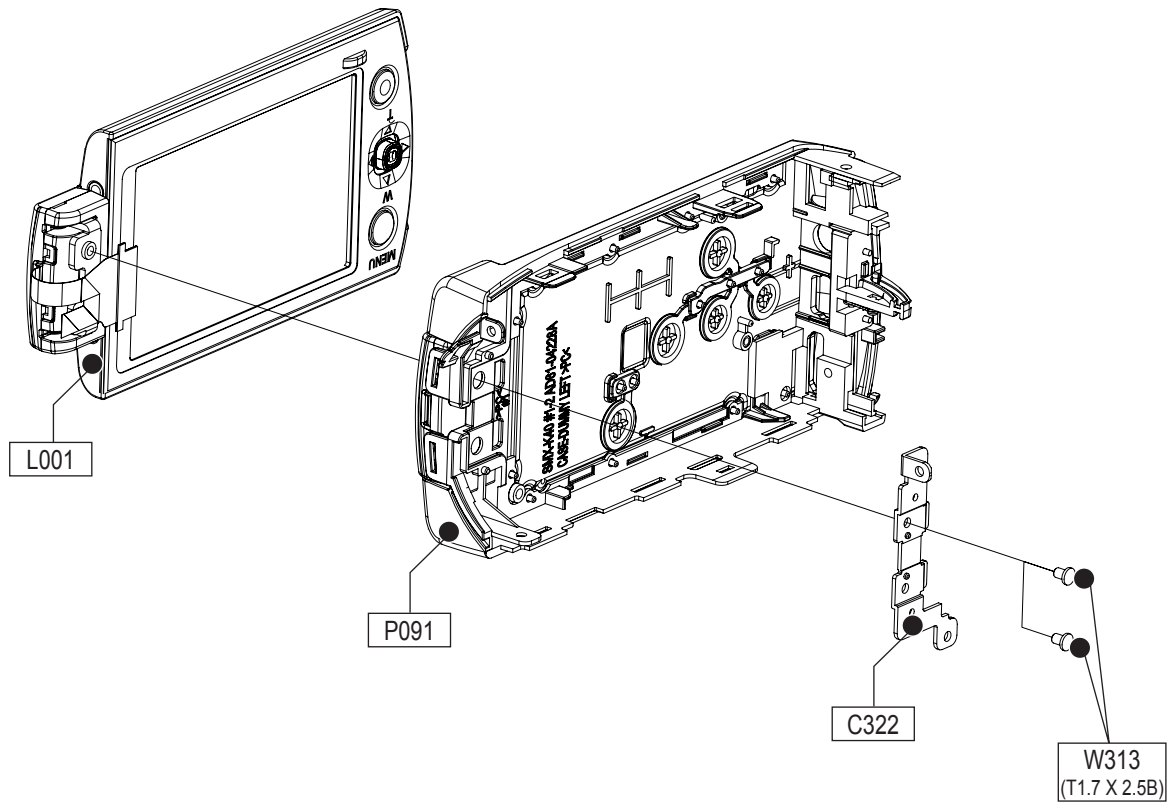
<b>5-1 Ass'y Chassis</b>	<b>5-2</b>
<b>5-2 Ass'y Left</b>	<b>5-4</b>
<b>5-3 Ass'y Right</b>	<b>5-5</b>
<b>5-4 Ass'y LCD</b>	<b>5-6</b>
<b>5-5 Ass'y Top</b>	<b>5-8</b>
<b>5-6 Ass'y Rear</b>	<b>5-10</b>
<b>5-7 Ass'y Bottom</b>	<b>5-11</b>
<b>5-8 Ass'y Camera</b>	<b>5-12</b>
<b>5-9 Ass'y Front</b>	<b>5-13</b>
<b>5-10 Electrical Parts List</b>	<b>5-14</b>

### 5-1 Ass'y Chassis



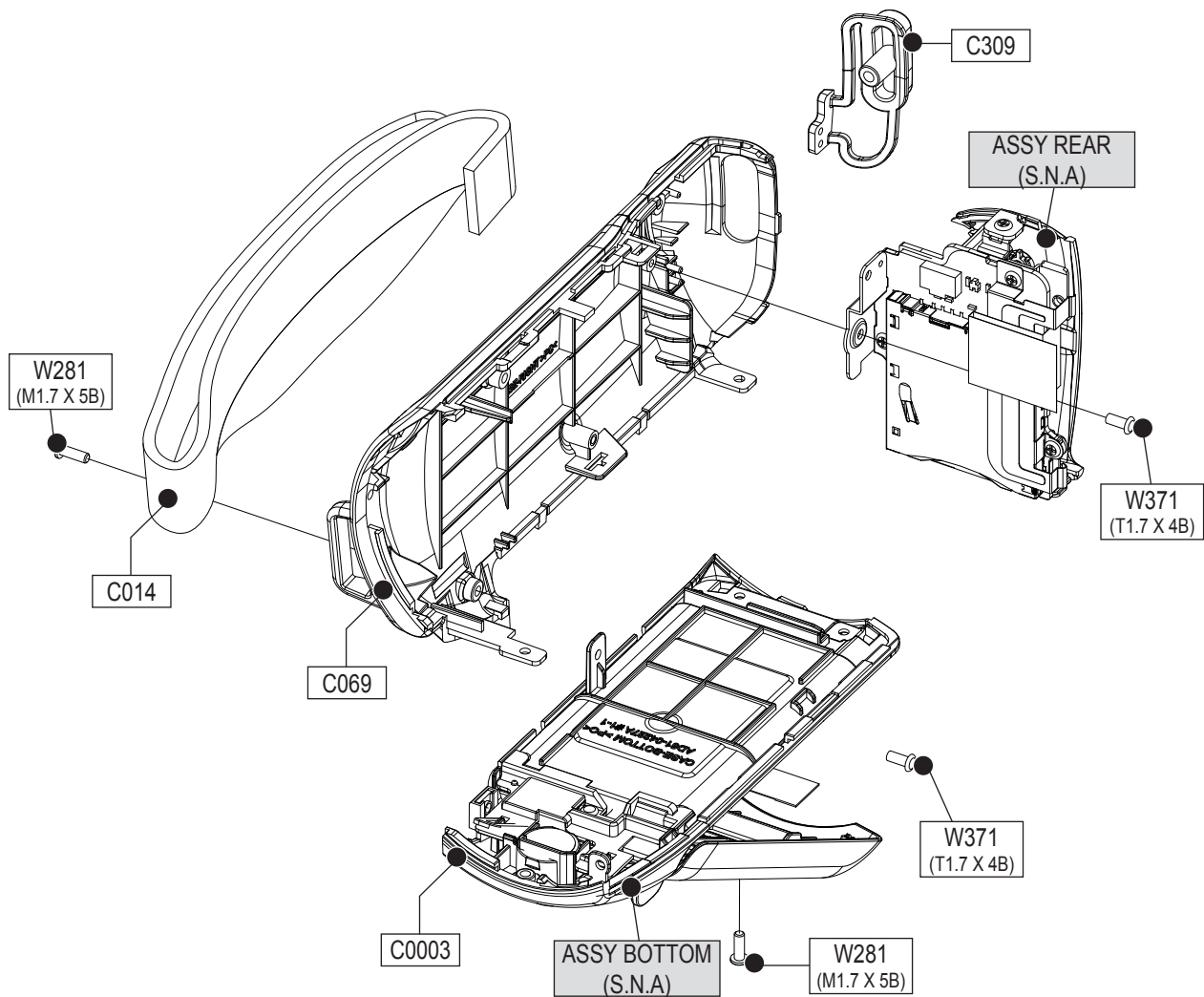
Loc. No	Parts No.	Description ; Specification	Q ty	SNA	Remark
P001	AD92-00845C	ASSY PCB MAIN;K40-PJ,SMX-K40BP/E	1	SA	
P170	AD97-17559B	ASSY FRONT;K40-PJ,SMX-K40,SIL	1	SA	
R001	AD73-00342A	RUBBER-RIGHT;SMX-K40,URETHAN,70',RIGHT S	1	SA	
W127	6003-001292	SCREW-TAPTYPE;CH(0.3),+,B,M1.7,L3,ZPC(BL	3	SA	
W281	6001-001508	SCREW-MACHINE;CH(0.5),+,M1.7,L5,ZPC(BLK)	9	SA	

## 5-2 Ass'y Left



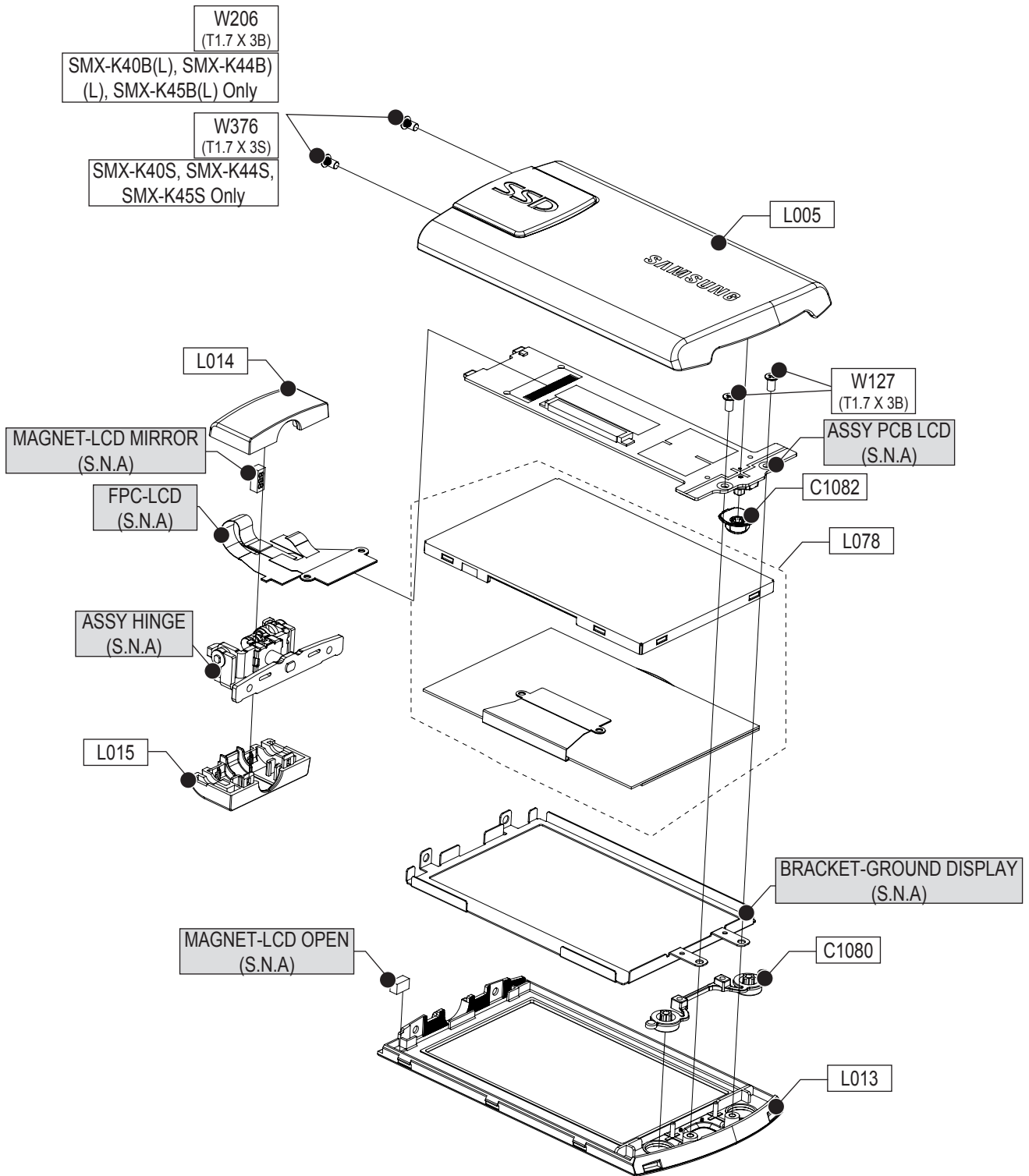
Loc. No	Parts No.	Description ; Specification	Q ty	SNA	Remark
C322	AD61-04221A	BRACKET-LEFT;SMX-K40,SUS,T0.7,W10,L30	1	SA	
L001	AD97-17554C	ASSY LCD;K40-PJ,SMX-K40,SIL	1	SA	
P091	AD97-17553B	ASSY CASE-LEFT;K40-PJ,SMX-K40,SIL	1	SA	
W313	6001-001510	SCREW-MACHINE;CH,+,M1.7,L2.5,NI PLT,SWRC	2	SA	

## 5-3 Ass'y Right



Loc. No	Parts No.	Description ; Specification	Q ty	SNA	Remark
C069	AD61-04225A	CASE-RIGHT;K40,PC,T1.5,W75,L50,BLK	1	SA	
C014	AD97-17545A	ASSY BELT-GRIP;Memory CAM,SMX-K40	1	SA	
C309	AD64-02670A	BUTTON-RECORD;SMX-K40,ABS,BLK	1	SA	
W371	6003-001453	SCREW-TAPTYPE;BH,+,B,M1.7,L4,ZPC(BLK)	2	SA	
W281	6001-001508	SCREW-MACHINE;CH(0.5),+,M1.7,L5,ZPC(BLK)	2	SA	

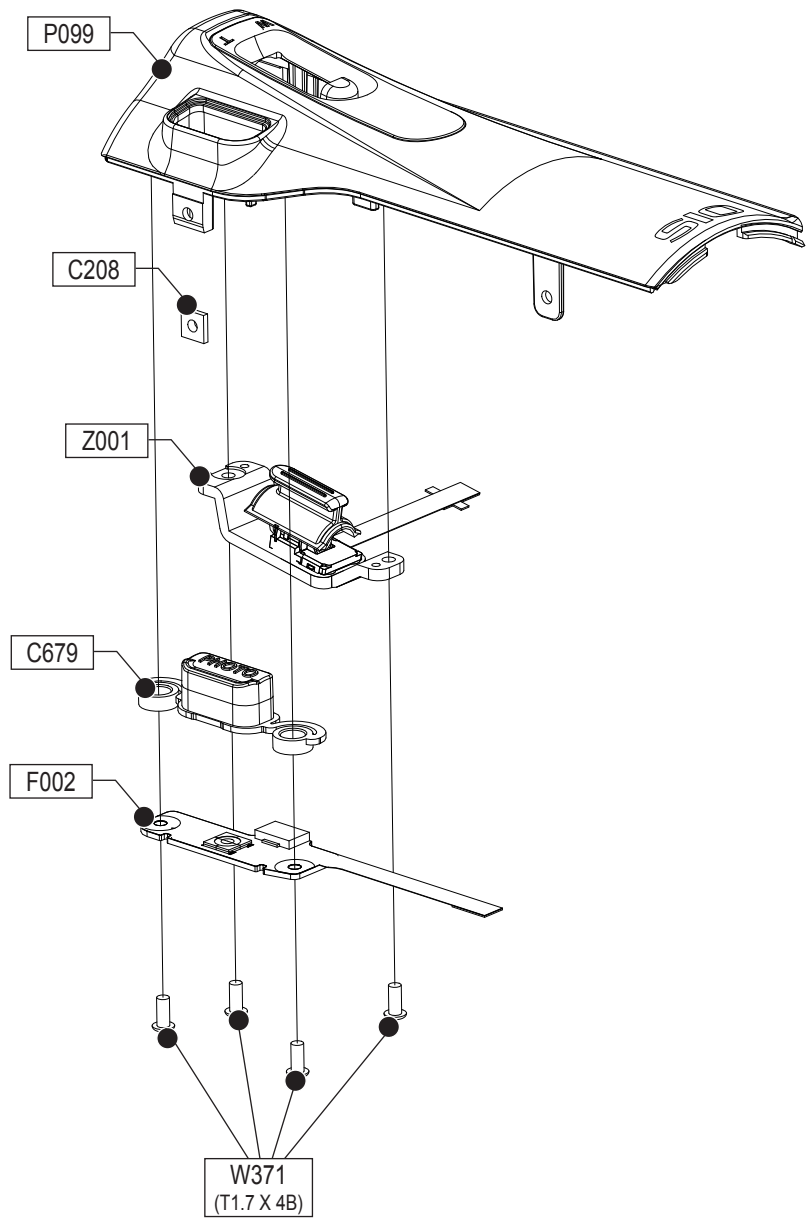
### 5-4 Ass'y LCD



Loc. No	Parts No.	Description ; Specification	Q ty	SNA	Remark
C1080	AD64-02671A	BUTTON-LCD MENU;SMX-K40,ABS,BLK	1	SA	
C1082	AD64-02461A	KNOB-JOY LCD;DX210,PC,T2.0,W7.7,L7.4,BLA	1	SA	
L005	AD97-18007B	ASSY CASE-LCD TOP;K40,SMX-K40,SIL	1	SA	
L013	AD61-04226A	CASE-LCD BOTTOM;SMX-K40,PC,T1.2,W45,L80,	1	SA	
L014	AD63-04234A	COVER-HINGE TOP;SMX-K40,ABS,T1.2,W12,L25	1	SA	
L015	AD63-04235A	COVER-HINGE BOTTOM;SMX-K40,ABS,T1.2,W12,	1	SA	
L078	AD97-18017A	ASSY LCD-PANEL;K40-PJ,K40,PANEL_BACKLIGH	1	SA	
W127	6003-001292	SCREW-TAPTYPE;CH(0.3),+,B,M1.7,L3,ZPC(BL	2	SA	
W376	6001-000805	SCREW-MACHINE;CH,+,-,M1.7,L3,NI PLT,SWRC	2	SA	

### 5-5 Ass'y Top

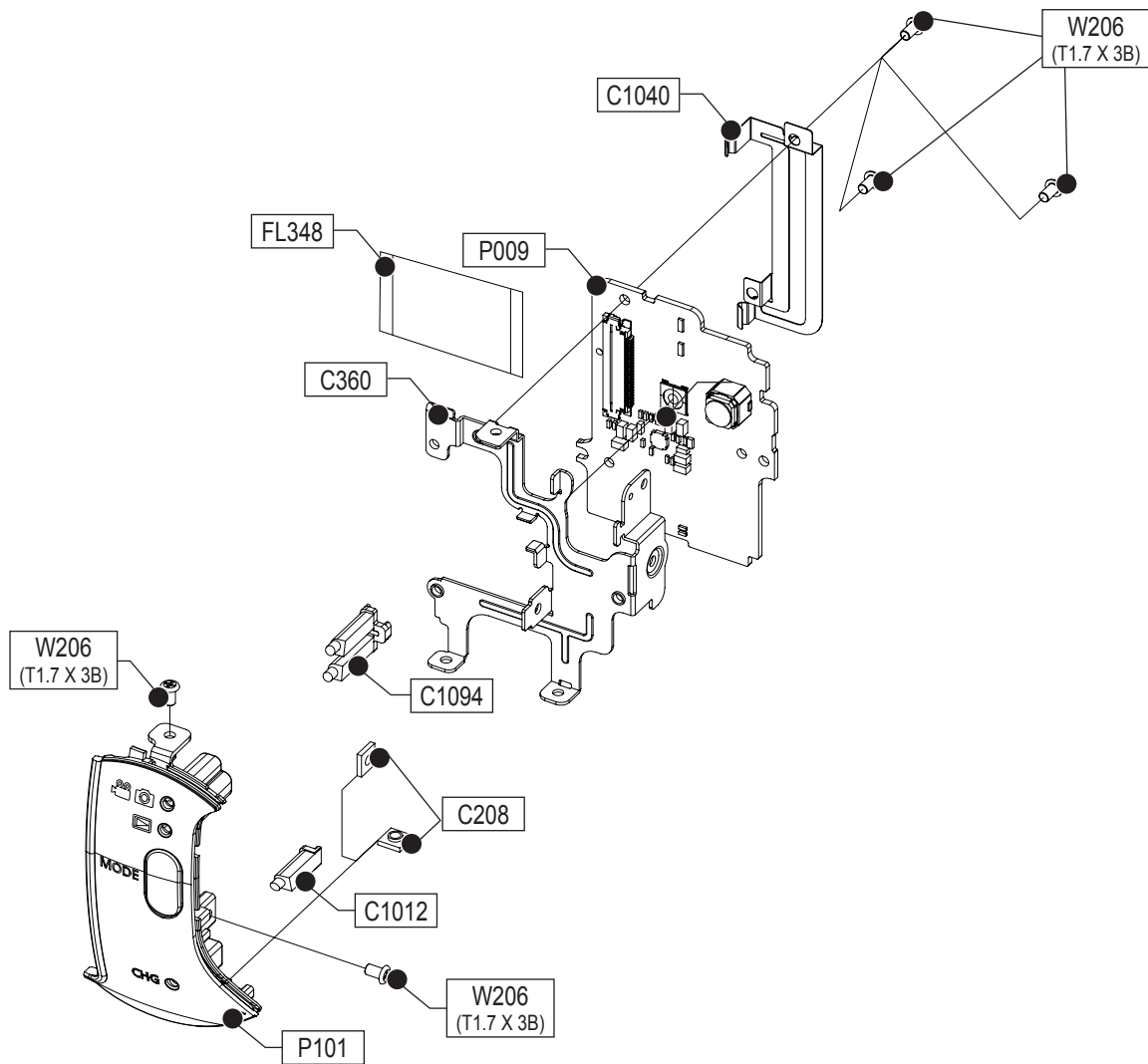
---





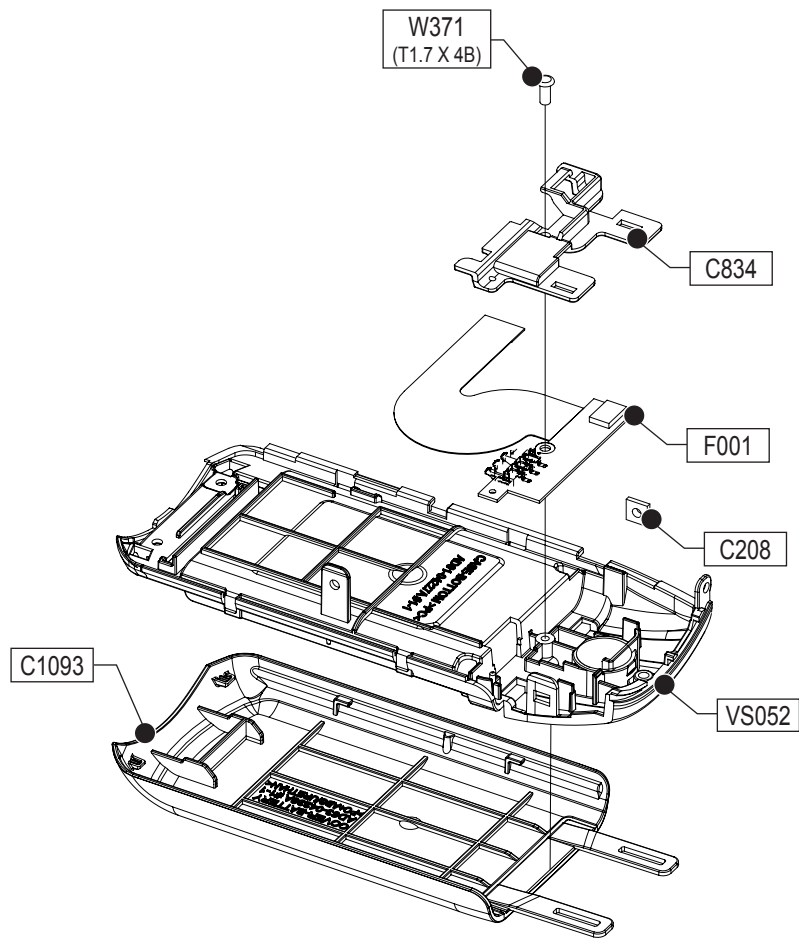
Loc. No	Parts No.	Description ; Specification	Q ty	SNA	Remark
C208	AD61-12033A	BRACKET-NUT;SV-D10,SECC,T0.8	1	SA	
C679	AD64-02665A	BUTTON-PHOTO;SMX-K40,ABS, MP-0160R,NATUR	1	SA	
F002	AD97-17519A	ASSY FPC-PHOTO;K40-PJ,SMX-K40,PHOTO FPC	1	SA	
P099	AD97-18008B	ASSY CASE-TOP;K40,SMX-K40,SIL	1	SA	
W371	6003-001453	SCREW-TAPTYPE;BH,+,B,M1.7,L4,ZPC(BLK)	4	SA	
Z001	AD97-17600A	ASSY ZOOM-VR;ABS,PET,IB-VC-Y0864/V,Membr	1	SA	

### 5-6 Ass'y Rear



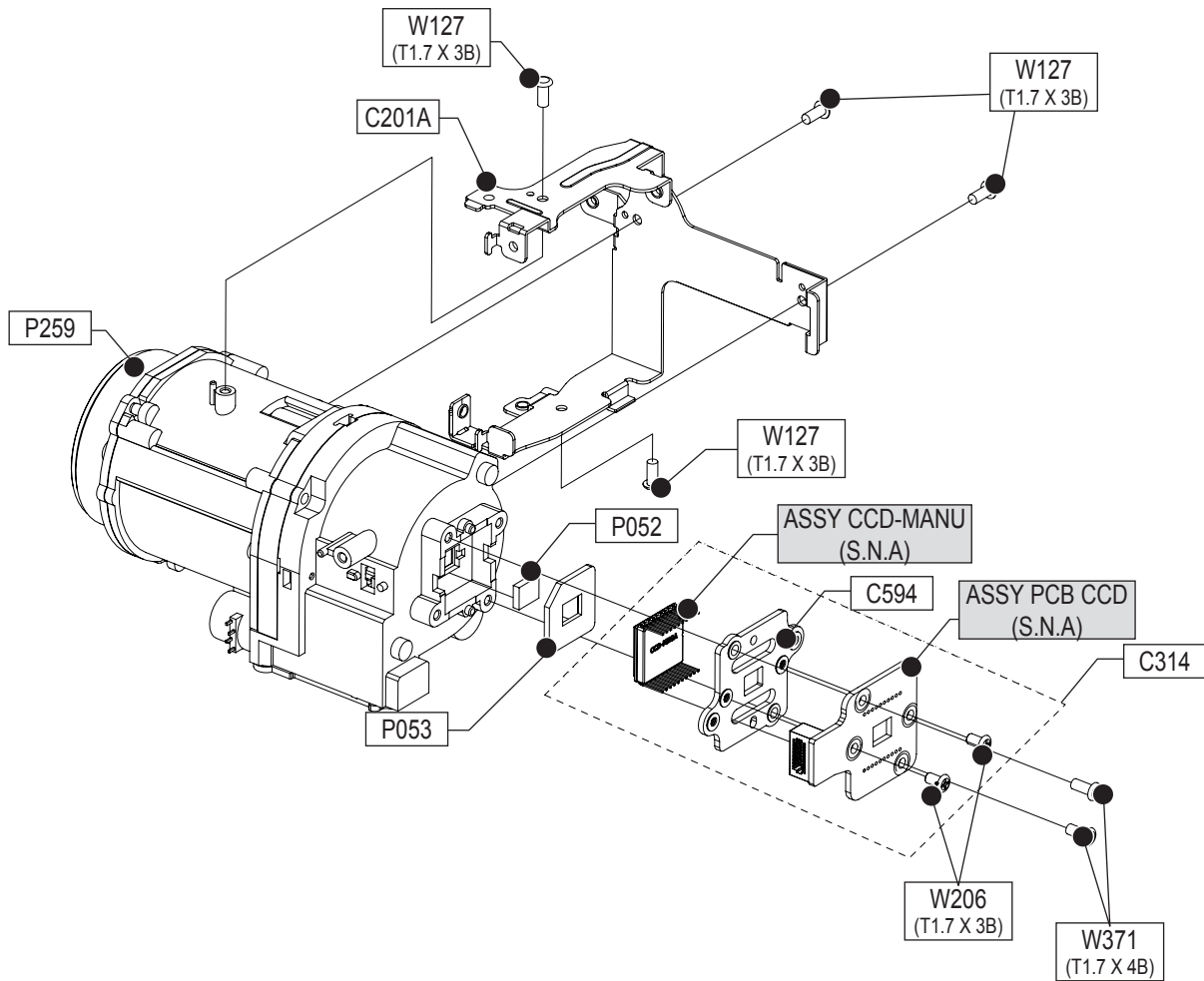
Loc. No	Parts No.	Description ; Specification	Q ty	SNA	Remark
C1012	AD64-02673A	INDICATOR-CHARGE;SMX-K40,PMMA,T2.5,MILK-	1	SA	
C1040	AD61-04308A	BRACKET-GROUND REAR;SMX-K40,STS,T0.15,W1	1	SA	
C1094	AD64-02674A	INDICATOR-MODE LED;SMX-K40,PMMA,T2.5,MIL	1	SA	
C208	AD61-12033A	BRACKET-NUT;SV-D10,SECC,T0.8	2	SA	
C360	AD61-04232A	BRACKET-REAR;SMX-K40,STS304,T0.5,W37,L45	1	SA	
FL348	3809-002364	FFC CABLE-FLAT;30V,80C,30mm,26P,0.5mm,AW	1	SA	
P009	AD92-00847A	ASSY PCB REAR;K40-PJ,SMX-K40N/XAA,NTSC,E	1	SA	
P101	AD97-18009B	ASSY CASE-REAR;K40,SMX-K40,SIL	1	SA	
W206	6001-001373	SCREW-MACHINE;PH,T0.5,+,M1.7,L3.0,ZPC(BL	5	SA	

## 5-7 Ass'y Bottom



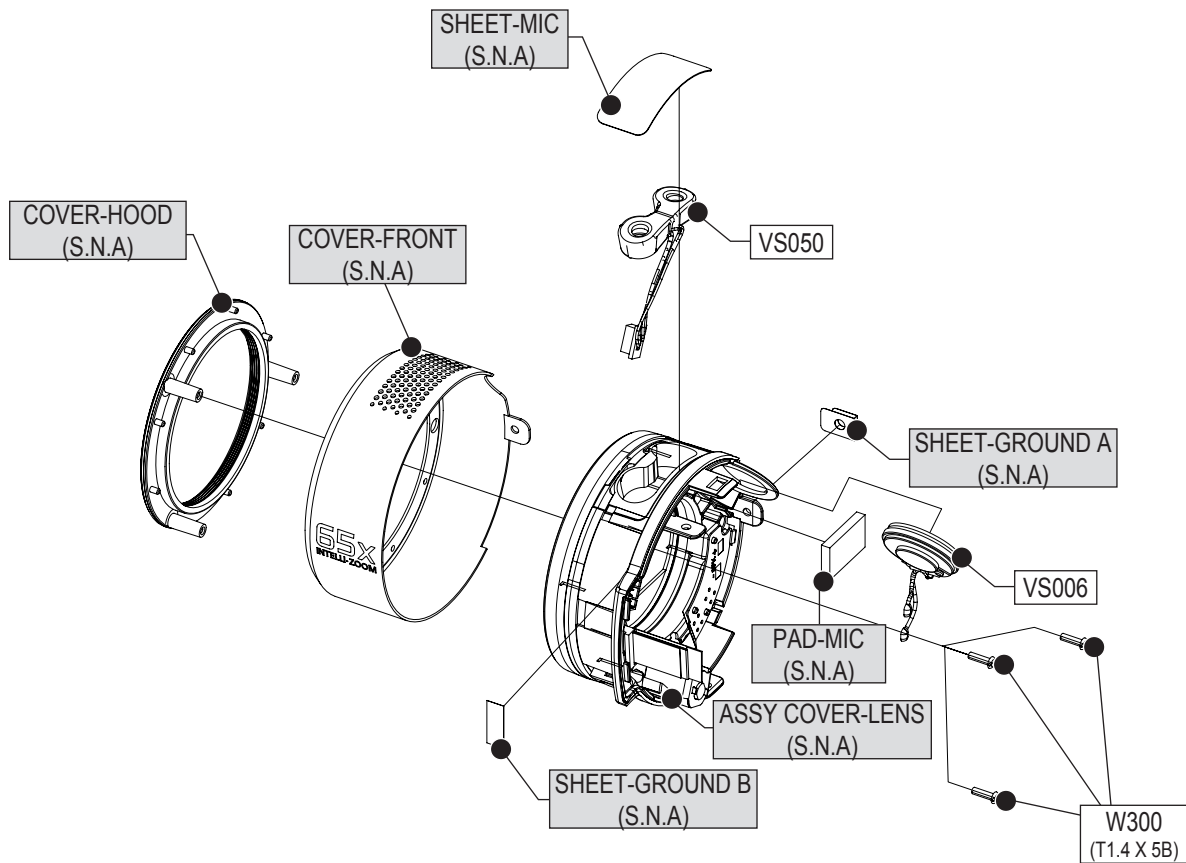
Loc. No	Parts No.	Description ; Specification	Q ty	SNA	Remark
C1093	AD63-04236A	COVER-BATTERY;SMX-K40,PC,T1.5,W40,L73,BL	1	SA	
C208	AD61-12033A	BRACKET-NUT;SV-D10,SECC,T0.8	1	SA	
C834	AD61-04230A	HOLDER-BATTERY;SMX-K40,ABS,T1,W13,L25,NT	1	SA	
F001	AD97-17518A	ASSY FPC-TERMINAL;K40-PJ,SMX-K40,TERMINA	1	SA	
VS052	AD61-04227A	CASE-BOTTOM;SMX-K40,PC,T1.5,W40,L93,BLK	1	SA	
W371	6003-001453	SCREW-TAPTYPE;BH,+,B,M1.7,L4,ZPC(BLK)	1	SA	

### 5-8 Ass'y Camera



Loc. No	Parts No.	Description ; Specification	Q ty	SNA	Remark
C201A	AD61-04217A	BRACKET-LENS A;SMX-K40,SUS,T0.5,W40,L50	1	SA	
C314	AD97-17569A	ASSY CCD;K40-PJ,SMX-K40BP/EDC,PA	1	SA	
C594	AD61-02368A	PLATE-CCD;DRAGON2-PJ,AL,T1,W21,L25,X26	1	SA	
P052	AD67-00403A	LENS FILTER-OLPF LERM1;LERM1,IR CUT/CRYS	1	SA	
P053	AD60-00073A	SPACER-CCD;CP-DX210,TPS,L11.5,BLK,T1.02,	1	SA	
P259	AD97-17435A	ASSY LENS-ZOOM;K40,HSKY-PJ,52X SD,-	1	SA	
W127	6003-001292	SCREW-TAPTYPE;CH(0.3),+,B,M1.7,L3,ZPC(BL	4	SA	
W206	6001-001373	SCREW-MACHINE;PH,T0.5,+,M1.7,L3.0,ZPC(BL	2	SA	
W371	6003-001453	SCREW-TAPTYPE;BH,+,B,M1.7,L4,ZPC(BLK)	2	SA	

## 5-9 Ass'y Front



Loc. No	Parts No.	Description ; Specification	Q ty	SNA	Remark
VS006	AD97-17635A	ASSY SPEAKER;ASSY SPEAKER,K40-PJ,ISSR-17	1	SA	
VS050	AD97-17634A	ASSY MIC;K40,SMX-K40,STEREO MIC,35mm	1	SA	
W300	6003-001503	SCREW-TAPTYPE;PH,+,B,M1.4,L5,ZPC(BLK),SW	3	SA	

### 5-10 Electrical Parts List

Loc.No	Part No	Description : Specification	Q'ty (S.N.A)	Remark	Loc.No	Part No	Description : Specification	Q'ty (S.N.A)	Remark
<b>ASSY PCB MAIN</b>					C217	2203-005055	C-CER,CHIP;0.0056nF,0.25pF,50V,N	1	SA
<b>P001 AD92-00845C</b>	<b>ASSY PCB MAIN;K40-PJ,SMX-K40BP/E</b>		<b>1</b>	<b>SA</b>	C218	2203-005055	C-CER,CHIP;0.0056nF,0.25pF,50V,N	1	SA
B401	3301-001649	BEAD-SMD;180ohm,1608,TP,226ohm/3	1	SA	C219	2203-005055	C-CER,CHIP;0.0056nF,0.25pF,50V,N	1	SA
B402	3301-001649	BEAD-SMD;180ohm,1608,TP,226ohm/3	1	SA	C301	2203-000254	C-CER,CHIP;10nF,10%,16V,X7R,TP,1	1	SA
B404	3301-001649	BEAD-SMD;180ohm,1608,TP,226ohm/3	1	SA	C302	2203-000254	C-CER,CHIP;10nF,10%,16V,X7R,TP,1	1	SA
B405	3301-001810	BEAD-SMD;240ohm,1005,TP,175ohm/1	1	SA	C303	2203-000254	C-CER,CHIP;10nF,10%,16V,X7R,TP,1	1	SA
B406	3301-001810	BEAD-SMD;240ohm,1005,TP,175ohm/1	1	SA	C304	2203-000254	C-CER,CHIP;10nF,10%,16V,X7R,TP,1	1	SA
B407	3301-001810	BEAD-SMD;240ohm,1005,TP,175ohm/1	1	SA	C305	2203-006361	C-CER,CHIP;1000nF,10%,10V,X5R,T	1	SC
B408	3301-001810	BEAD-SMD;240ohm,1005,TP,175ohm/1	1	SA	C306	2203-000254	C-CER,CHIP;10nF,10%,16V,X7R,TP,1	1	SA
B409	3301-001810	BEAD-SMD;240ohm,1005,TP,175ohm/1	1	SA	C307	2203-000254	C-CER,CHIP;10nF,10%,16V,X7R,TP,1	1	SA
B410	3301-001810	BEAD-SMD;240ohm,1005,TP,175ohm/1	1	SA	C308	2203-006048	C-CER,CHIP;100nF,10%,10V,X7R,TP,1	1	SA
B411	3301-001810	BEAD-SMD;240ohm,1005,TP,175ohm/1	1	SA	C309	2203-006361	C-CER,CHIP;1000nF,10%,10V,X5R,T	1	SC
B412	3301-001810	BEAD-SMD;240ohm,1005,TP,175ohm/1	1	SA	C310	2203-000254	C-CER,CHIP;10nF,10%,16V,X7R,TP,1	1	SA
B413	3301-001810	BEAD-SMD;240ohm,1005,TP,175ohm/1	1	SA	C311	2203-006427	C-CER,CHIP;4700nF,10%,16V,X5R,TP	1	SA
B414	3301-001810	BEAD-SMD;240ohm,1005,TP,175ohm/1	1	SA	C312	2203-000189	C-CER,CHIP;100nF,+80-20%,25V,Y5V	1	SA
B415	3301-001810	BEAD-SMD;240ohm,1005,TP,175ohm/1	1	SA	C313	2203-000189	C-CER,CHIP;100nF,+80-20%,25V,Y5V	1	SA
B602	3301-001649	BEAD-SMD;180ohm,1608,TP,226ohm/3	1	SA	C314	2203-000254	C-CER,CHIP;10nF,10%,16V,X7R,TP,1	1	SA
B603	3301-001649	BEAD-SMD;180ohm,1608,TP,226ohm/3	1	SA	C315	2203-000254	C-CER,CHIP;10nF,10%,16V,X7R,TP,1	1	SA
B604	3301-001649	BEAD-SMD;180ohm,1608,TP,226ohm/3	1	SA	C316	2203-000330	C-CER,CHIP;.012nF,5%,50V,COG,TP,	1	SA
B605	3301-001649	BEAD-SMD;180ohm,1608,TP,226ohm/3	1	SA	C317	2203-000330	C-CER,CHIP;.012nF,5%,50V,COG,TP,	1	SA
B606	3301-001649	BEAD-SMD;180ohm,1608,TP,226ohm/3	1	SA	C402	2203-005055	C-CER,CHIP;0.0056nF,0.25pF,50V,N	1	SA
BAT301	4302-001220	BATTERY-POLYMER;3,1.0MAH,ML414,0	1	SA	C403	2203-005055	C-CER,CHIP;0.0056nF,0.25pF,50V,N	1	SA
C101	2203-006348	C-CER,CHIP;1000nF,10%,25V,X5R,TP	1	SA	C404	2203-000233	C-CER,CHIP;0.1nF,5%,50V,COG,TP,1	1	SA
C102	2203-000233	C-CER,CHIP;0.1nF,5%,50V,COG,TP,1	1	SA	C405	2203-000233	C-CER,CHIP;0.1nF,5%,50V,COG,TP,1	1	SA
C103	2203-006348	C-CER,CHIP;1000nF,10%,25V,X5R,TP	1	SA	C406	2203-000233	C-CER,CHIP;0.1nF,5%,50V,COG,TP,1	1	SA
C104	2203-006348	C-CER,CHIP;1000nF,10%,25V,X5R,TP	1	SA	C407	2203-000233	C-CER,CHIP;0.1nF,5%,50V,COG,TP,1	1	SA
C105	2203-006361	C-CER,CHIP;1000nF,10%,10V,X5R,T	1	SC	C408	2203-000233	C-CER,CHIP;0.1nF,5%,50V,COG,TP,1	1	SA
C106	2203-006361	C-CER,CHIP;1000nF,10%,10V,X5R,T	1	SC	C409	2203-006048	C-CER,CHIP;100nF,10%,10V,X7R,TP,	1	SA
C107	2203-006474	C-CER,CHIP;2200nF,20%,6.3V,X5R,	1	SA	C410	2203-005055	C-CER,CHIP;0.0056nF,0.25pF,50V,N	1	SA
C108	2203-006361	C-CER,CHIP;1000nF,10%,10V,X5R,T	1	SC	C411	2203-005055	C-CER,CHIP;0.0056nF,0.25pF,50V,N	1	SA
C109	2203-006474	C-CER,CHIP;2200nF,20%,6.3V,X5R,	1	SA	C412	2203-005055	C-CER,CHIP;0.0056nF,0.25pF,50V,N	1	SA
C110	2203-007133	C-CER,CHIP;1000nF,10%,16V,X5R,T	1	SA	C413	2203-006474	C-CER,CHIP;2200nF,20%,6.3V,X5R,	1	SA
C111	2203-006361	C-CER,CHIP;1000nF,10%,10V,X5R,T	1	SC	C414	2203-000233	C-CER,CHIP;0.1nF,5%,50V,COG,TP,1	1	SA
C112	2203-006361	C-CER,CHIP;1000nF,10%,10V,X5R,T	1	SC	C415	2203-005055	C-CER,CHIP;0.0056nF,0.25pF,50V,N	1	SA
C113	2203-007133	C-CER,CHIP;1000nF,10%,16V,X5R,T	1	SA	C416	2203-006048	C-CER,CHIP;100nF,10%,10V,X7R,TP,	1	SA
C114	2203-007133	C-CER,CHIP;1000nF,10%,16V,X5R,T	1	SA	C417	2203-005055	C-CER,CHIP;0.0056nF,0.25pF,50V,N	1	SA
C115	2203-006474	C-CER,CHIP;2200nF,20%,6.3V,X5R,	1	SA	C418	2203-006474	C-CER,CHIP;2200nF,20%,6.3V,X5R,	1	SA
C116	2203-006474	C-CER,CHIP;2200nF,20%,6.3V,X5R,	1	SA	C419	2203-000233	C-CER,CHIP;0.1nF,5%,50V,COG,TP,1	1	SA
C117	2203-006474	C-CER,CHIP;2200nF,20%,6.3V,X5R,	1	SA	C420	2203-000233	C-CER,CHIP;0.1nF,5%,50V,COG,TP,1	1	SA
C118	2203-006361	C-CER,CHIP;1000nF,10%,10V,X5R,T	1	SC	C421	2203-000233	C-CER,CHIP;0.1nF,5%,50V,COG,TP,1	1	SA
C119	2203-006348	C-CER,CHIP;1000nF,10%,25V,X5R,TP	1	SA	C422	2203-000233	C-CER,CHIP;0.1nF,5%,50V,COG,TP,1	1	SA
C120	2203-006048	C-CER,CHIP;100nF,10%,10V,X7R,TP,	1	SA	C423	2203-000233	C-CER,CHIP;0.1nF,5%,50V,COG,TP,1	1	SA
C121	2203-006348	C-CER,CHIP;100nF,10%,25V,X5R,TP	1	SA	C424	2203-006048	C-CER,CHIP;100nF,10%,10V,X7R,TP,	1	SA
C122	2203-006348	C-CER,CHIP;1000nF,10%,25V,X5R,TP	1	SA	C425	2203-006361	C-CER,CHIP;1000nF,10%,10V,X5R,T	1	SC
C123	2203-006348	C-CER,CHIP;1000nF,10%,25V,X5R,TP	1	SA	C426	2203-006048	C-CER,CHIP;100nF,10%,10V,X7R,TP,	1	SA
C202	2203-006361	C-CER,CHIP;1000nF,10%,10V,X5R,T	1	SC	C427	2203-006361	C-CER,CHIP;1000nF,10%,10V,X5R,T	1	SC
C203	2203-006427	C-CER,CHIP;4700nF,10%,16V,X5R,TP	1	SA	C428	2203-006474	C-CER,CHIP;2200nF,20%,6.3V,X5R,	1	SA
C204	2203-006361	C-CER,CHIP;1000nF,10%,10V,X5R,T	1	SC	C429	2203-006048	C-CER,CHIP;100nF,10%,10V,X7R,TP,	1	SA
C205	2203-006361	C-CER,CHIP;1000nF,10%,10V,X5R,T	1	SC	C430	2203-006048	C-CER,CHIP;100nF,10%,10V,X7R,TP,	1	SA
C206	2203-006348	C-CER,CHIP;1000nF,10%,25V,X5R,TP	1	SA	C431	2203-006048	C-CER,CHIP;100nF,10%,10V,X7R,TP,	1	SA
C208	2203-000425	C-CER,CHIP;.018nF,5%,50V,COG,TP,	1	SA	C432	2203-006048	C-CER,CHIP;100nF,10%,10V,X7R,TP,	1	SA
C209	2203-005055	C-CER,CHIP;0.0056nF,0.25pF,50V,N	1	SA	C433	2203-006048	C-CER,CHIP;100nF,10%,10V,X7R,TP,	1	SA
C211	2203-005344	C-CER,CHIP;22nF,10%,25V,X7R,TP,1	1	SA	C434	2203-006048	C-CER,CHIP;100nF,10%,10V,X7R,TP,	1	SA
C212	2203-006348	C-CER,CHIP;1000nF,10%,25V,X5R,TP	1	SA	C435	2203-006048	C-CER,CHIP;100nF,10%,10V,X7R,TP,	1	SA
C213	2203-006048	C-CER,CHIP;100nF,10%,10V,X7R,TP,	1	SA	C436	2203-006048	C-CER,CHIP;100nF,10%,10V,X7R,TP,	1	SA
C214	2203-000425	C-CER,CHIP;.018nF,5%,50V,COG,TP,	1	SA	C437	2203-006048	C-CER,CHIP;100nF,10%,10V,X7R,TP,	1	SA
C215	2203-000425	C-CER,CHIP;.018nF,5%,50V,COG,TP,	1	SA	C438	2203-006048	C-CER,CHIP;100nF,10%,10V,X7R,TP,	1	SA
C216	2203-005055	C-CER,CHIP;0.0056nF,0.25pF,50V,N	1	SA	C439	2203-006048	C-CER,CHIP;100nF,10%,10V,X7R,TP,	1	SA
					C440	2203-006048	C-CER,CHIP;100nF,10%,10V,X7R,TP,	1	SA

Loc.No	Part No	Description : Specification	Q'ty	S.N.A	Remark	Loc.No	Part No	Description : Specification	Q'ty	S.N.A	Remark
C441	2203-006048	C-CER,CHIP;100nF,10%,10V,X7R,TP,	1	SA		C632	2203-006048	C-CER,CHIP;100nF,10%,10V,X7R,TP,	1	SA	
C442	2203-006048	C-CER,CHIP;100nF,10%,10V,X7R,TP,	1	SA		C633	2203-006048	C-CER,CHIP;100nF,10%,10V,X7R,TP,	1	SA	
C443	2203-006048	C-CER,CHIP;100nF,10%,10V,X7R,TP,	1	SA		C634	2203-006048	C-CER,CHIP;100nF,10%,10V,X7R,TP,	1	SA	
C444	2203-006048	C-CER,CHIP;100nF,10%,10V,X7R,TP,	1	SA		C635	2203-006048	C-CER,CHIP;100nF,10%,10V,X7R,TP,	1	SA	
C445	2203-006048	C-CER,CHIP;100nF,10%,10V,X7R,TP,	1	SA		C637	2203-006048	C-CER,CHIP;100nF,10%,10V,X7R,TP,	1	SA	
C446	2203-006048	C-CER,CHIP;100nF,10%,10V,X7R,TP,	1	SA		C638	2203-006361	C-CER,CHIP;1000nF,10%,10V,X5R,T	1	SC	
C447	2203-006048	C-CER,CHIP;100nF,10%,10V,X7R,TP,	1	SA		C639	2203-006048	C-CER,CHIP;100nF,10%,10V,X7R,TP,	1	SA	
C448	2203-006048	C-CER,CHIP;100nF,10%,10V,X7R,TP,	1	SA		C640	2203-002254	C-CER,CHIP;10nF,10%,16V,X7R,TP,1	1	SA	
C449	2203-006048	C-CER,CHIP;100nF,10%,10V,X7R,TP,	1	SA		C641	2203-006048	C-CER,CHIP;100nF,10%,10V,X7R,TP,	1	SA	
C450	2203-006048	C-CER,CHIP;100nF,10%,10V,X7R,TP,	1	SA		C642	2203-002254	C-CER,CHIP;10nF,10%,16V,X7R,TP,1	1	SA	
C451	2203-006048	C-CER,CHIP;100nF,10%,10V,X7R,TP,	1	SA		C643	2203-006048	C-CER,CHIP;100nF,10%,10V,X7R,TP,	1	SA	
C452	2203-006048	C-CER,CHIP;100nF,10%,10V,X7R,TP,	1	SA		C644	2203-002254	C-CER,CHIP;10nF,10%,16V,X7R,TP,1	1	SA	
C453	2203-005055	C-CER,CHIP;0.0056nF,0.25pF,50V,N	1	SA		C645	2203-006048	C-CER,CHIP;100nF,10%,10V,X7R,TP,	1	SA	
C454	2203-006048	C-CER,CHIP;100nF,10%,10V,X7R,TP,	1	SA		C646	2203-006361	C-CER,CHIP;1000nF,10%,10V,X5R,T	1	SC	
C455	2203-006048	C-CER,CHIP;100nF,10%,10V,X7R,TP,	1	SA		C647	2203-002254	C-CER,CHIP;10nF,10%,16V,X7R,TP,1	1	SA	
C456	2203-005055	C-CER,CHIP;0.0056nF,0.25pF,50V,N	1	SA		C648	2203-006361	C-CER,CHIP;1000nF,10%,10V,X5R,T	1	SC	
C457	2203-006048	C-CER,CHIP;100nF,10%,10V,X7R,TP,	1	SA		C649	2203-006048	C-CER,CHIP;100nF,10%,10V,X7R,TP,	1	SA	
C458	2203-000330	C-CER,CHIP;.012nF,5%,50V,C0G,TP,	1	SA		C701	2203-006361	C-CER,CHIP;1000nF,10%,10V,X5R,T	1	SC	
C459	2203-006048	C-CER,CHIP;100nF,10%,10V,X7R,TP,	1	SA		C702	2203-006361	C-CER,CHIP;1000nF,10%,10V,X5R,T	1	SC	
C460	2203-006048	C-CER,CHIP;100nF,10%,10V,X7R,TP,	1	SA		C703	2203-006361	C-CER,CHIP;1000nF,10%,10V,X5R,T	1	SC	
C461	2203-000330	C-CER,CHIP;.012nF,5%,50V,C0G,TP,	1	SA		C705	2203-002709	C-CER,CHIP;100nF,+80-20%,16V,Y5V	1	SA	
C462	2203-006048	C-CER,CHIP;100nF,10%,10V,X7R,TP,	1	SA		C711	2203-002254	C-CER,CHIP;10nF,10%,16V,X7R,TP,1	1	SA	
C463	2203-006048	C-CER,CHIP;100nF,10%,10V,X7R,TP,	1	SA		C712	2203-006320	C-CER,CHIP;220nF,10%,16V,X7R,TP	1	SA	
C464	2203-002254	C-CER,CHIP;10nF,10%,16V,X7R,TP,1	1	SA		C713	2203-002709	C-CER,CHIP;100nF,+80-20%,16V,Y5V	1	SA	
C465	2203-006048	C-CER,CHIP;100nF,10%,10V,X7R,TP,	1	SA		C721	2203-002709	C-CER,CHIP;100nF,+80-20%,16V,Y5V	1	SA	
C501	2203-006361	C-CER,CHIP;1000nF,10%,10V,X5R,T	1	SC		C731	2203-005065	C-CER,CHIP;1000nF,+80-20%,10V,Y5	1	SA	
C502	2203-006048	C-CER,CHIP;100nF,10%,10V,X7R,TP,	1	SA		C732	2203-005065	C-CER,CHIP;1000nF,+80-20%,10V,Y5	1	SA	
C503	2203-006048	C-CER,CHIP;100nF,10%,10V,X7R,TP,	1	SA		C733	2203-005065	C-CER,CHIP;1000nF,+80-20%,10V,Y5	1	SA	
C504	2203-006361	C-CER,CHIP;1000nF,10%,10V,X5R,T	1	SC		C734	2203-005065	C-CER,CHIP;1000nF,+80-20%,10V,Y5	1	SA	
C505	2203-006048	C-CER,CHIP;100nF,10%,10V,X7R,TP,	1	SA		C735	2203-002709	C-CER,CHIP;100nF,+80-20%,16V,Y5V	1	SA	
C506	2203-006048	C-CER,CHIP;100nF,10%,10V,X7R,TP,	1	SA		C736	2203-005065	C-CER,CHIP;1000nF,+80-20%,10V,Y5	1	SA	
C507	2203-006048	C-CER,CHIP;100nF,10%,10V,X7R,TP,	1	SA		C737	2203-005065	C-CER,CHIP;1000nF,+80-20%,10V,Y5	1	SA	
C508	2203-006048	C-CER,CHIP;100nF,10%,10V,X7R,TP,	1	SA		C738	2203-006427	C-CER,CHIP;4700nF,10%,16V,X5R,TP	1	SA	
C509	2203-006048	C-CER,CHIP;100nF,10%,10V,X7R,TP,	1	SA		C739	2203-005344	C-CER,CHIP;22nF,10%,25V,X7R,TP,1	1	SA	
C510	2203-006048	C-CER,CHIP;100nF,10%,10V,X7R,TP,	1	SA		C740	2203-005344	C-CER,CHIP;22nF,10%,25V,X7R,TP,1	1	SA	
C511	2203-006048	C-CER,CHIP;100nF,10%,10V,X7R,TP,	1	SA		C743	2203-002709	C-CER,CHIP;100nF,+80-20%,16V,Y5V	1	SA	
C601	2203-006562	C-CER,CHIP;1000nF,10%,10V,X5R,TP	1	SA		C745	2203-006348	C-CER,CHIP;1000nF,10%,25V,X5R,TP	1	SA	
C603	2203-006361	C-CER,CHIP;1000nF,10%,10V,X5R,T	1	SC		C801	2203-007133	C-CER,CHIP;1000nF,10%,16V,X5R,T	1	SA	
C604	2203-006048	C-CER,CHIP;100nF,10%,10V,X7R,TP,	1	SA		C802	2203-007133	C-CER,CHIP;1000nF,10%,16V,X5R,T	1	SA	
C605	2203-006562	C-CER,CHIP;1000nF,10%,10V,X5R,TP	1	SA		C803	2203-006361	C-CER,CHIP;1000nF,10%,10V,X5R,T	1	SC	
C607	2203-005055	C-CER,CHIP;0.0056nF,0.25pF,50V,N	1	SA		C804	2203-000815	C-CER,CHIP;0.033nF,5%,50V,C0G,16	1	SA	
C608	2203-002254	C-CER,CHIP;10nF,10%,16V,X7R,TP,1	1	SA		C805	2203-006048	C-CER,CHIP;100nF,10%,10V,X7R,TP,	1	SA	
C609	2203-006048	C-CER,CHIP;100nF,10%,10V,X7R,TP,	1	SA		C806	2203-006048	C-CER,CHIP;100nF,10%,10V,X7R,TP,	1	SA	
C610	2203-001652	C-CER,CHIP;470nF,+80-20%,16V,Y5V	1	SA		C807	2203-006048	C-CER,CHIP;100nF,10%,10V,X7R,TP,	1	SA	
C611	2203-001034	C-CER,CHIP;5.6nF,10%,50V,X7R,160	1	SA		C808	2203-005627	C-CER,CHIP;470nF,10%,10V,X5R,160	1	SA	
C614	2203-006361	C-CER,CHIP;1000nF,10%,10V,X5R,T	1	SC		C809	2203-002793	C-CER,CHIP;1000nF,+80-20%,25V,Y5	1	SA	
C615	2203-000254	C-CER,CHIP;10nF,10%,16V,X7R,TP,1	1	SA		C810	2203-006048	C-CER,CHIP;100nF,10%,10V,X7R,TP,	1	SA	
C616	2203-006048	C-CER,CHIP;100nF,10%,10V,X7R,TP,	1	SA		C811	2203-006048	C-CER,CHIP;100nF,10%,10V,X7R,TP,	1	SA	
C617	2203-006048	C-CER,CHIP;100nF,10%,10V,X7R,TP,	1	SA		C812	2203-006048	C-CER,CHIP;100nF,10%,10V,X7R,TP,	1	SA	
C618	2203-006048	C-CER,CHIP;100nF,10%,10V,X7R,TP,	1	SA		C813	2203-006048	C-CER,CHIP;100nF,10%,10V,X7R,TP,	1	SA	
C619	2203-006048	C-CER,CHIP;100nF,10%,10V,X7R,TP,	1	SA		C814	2203-006048	C-CER,CHIP;100nF,10%,10V,X7R,TP,	1	SA	
C620	2203-006048	C-CER,CHIP;100nF,10%,10V,X7R,TP,	1	SA		C815	2203-002793	C-CER,CHIP;1000nF,+80-20%,25V,Y5	1	SA	
C621	2203-006048	C-CER,CHIP;100nF,10%,10V,X7R,TP,	1	SA		C901	2203-006361	C-CER,CHIP;1000nF,10%,10V,X5R,T	1	SC	
C622	2203-006048	C-CER,CHIP;100nF,10%,10V,X7R,TP,	1	SA		C902	2203-006361	C-CER,CHIP;1000nF,10%,10V,X5R,T	1	SC	
C623	2203-006048	C-CER,CHIP;100nF,10%,10V,X7R,TP,	1	SA		C903	2203-006474	C-CER,CHIP;2200nF,20%,6.3V,X5R,	1	SA	
C624	2203-006048	C-CER,CHIP;100nF,10%,10V,X7R,TP,	1	SA		C904	2203-006048	C-CER,CHIP;100nF,10%,10V,X7R,TP,	1	SA	
C625	2203-006048	C-CER,CHIP;100nF,10%,10V,X7R,TP,	1	SA		C906	2203-006048	C-CER,CHIP;100nF,10%,10V,X7R,TP,	1	SA	
C626	2203-006048	C-CER,CHIP;100nF,10%,10V,X7R,TP,	1	SA		C907	2203-006048	C-CER,CHIP;100nF,10%,10V,X7R,TP,	1	SA	
C627	2203-006048	C-CER,CHIP;100nF,10%,10V,X7R,TP,	1	SA		C908	2203-005065	C-CER,CHIP;1000nF,+80-20%,10V,Y5	1	SA	
C628	2203-006048	C-CER,CHIP;100nF,10%,10V,X7R,TP,	1	SA		C909	2203-006048	C-CER,CHIP;100nF,10%,10V,X7R,TP,	1	SA	
C629	2203-006048	C-CER,CHIP;100nF,10%,10V,X7R,TP,	1	SA		C910	2203-006048	C-CER,CHIP;100nF,10%,10V,X7R,TP,	1	SA	
C630	2203-006048	C-CER,CHIP;100nF,10%,10V,X7R,TP,	1	SA		C911	2203-006048	C-CER,CHIP;100nF,10%,10V,X7R,TP,	1	SA	
C631	2203-006048	C-CER,CHIP;100nF,10%,10V,X7R,TP,	1	SA							



Exploded Views and Parts List

Loc.No	Part No	Description : Specification	Q'ty	S.N.A	Remark	Loc.No	Part No	Description : Specification	Q'ty	S.N.A	Remark
C912	2203-006048	C-CER,CHIP;100nF,10%,10V,X7R,TP,	1	SA		CB19	2203-006378	C-CER,CHIP;4700nF,10%,6.3V,X5R,1	1	SA	
C913	2203-000254	C-CER,CHIP;10nF,10%,16V,X7R,TP,1	1	SA		CN201	3722-002904	JACK-DC POWER;4P,Au,Ni,ORG	1	SA	
C914	2203-006048	C-CER,CHIP;100nF,10%,10V,X7R,TP,	1	SA		CN202	3722-002891	JACK-MINI USB;5P;C,Au Over Ni,BL	1	SA	
C915	2203-006048	C-CER,CHIP;100nF,10%,10V,X7R,TP,	1	SA		CN203	3708-002620	CONNECTOR-FPC/FFC/PIC;14P,0.5MM,	1	SA	
C916	2203-000714	C-CER,CHIP;3.3nF,10%,50V,X7R,TP,	1	SA		CN204	3708-002224	CONNECTOR-FPC/FFC/PIC;24P,0.5mm,	1	SA	
C917	2203-000438	C-CER,CHIP;1nF,10%,50V,X7R,TP,10	1	SA		CN205	3708-002714	CONNECTOR-FPC/FFC/PIC;26P,0.5MM,	1	SA	
C918	2203-000438	C-CER,CHIP;1nF,10%,50V,X7R,TP,10	1	SA		CN601	3710-002711	SOCKET-INTERFACE;19P,1R,0.4mm,4-	1	SA	
C919	2203-006048	C-CER,CHIP;100nF,10%,10V,X7R,TP,	1	SA		CN801	3711-006445	HEADER-BOARD TO BOARD;BOX,20P,2R	1	SA	
C920	2203-006048	C-CER,CHIP;100nF,10%,10V,X7R,TP,	1	SA		CN901	3708-002712	CONNECTOR-FPC/FFC/PIC;34P,0.5MM,	1	SA	
C921	2203-006047	C-CER,CHIP;33nF,10%,16V,X7R,1005	1	SA		CN901	3708-002739	CONNECTOR-FPC/FFC/PIC;14P,0.5MM,	1	SA	
C922	2203-006047	C-CER,CHIP;33nF,10%,16V,X7R,1005	1	SA		CN901	3708-002739	CONNECTOR-FPC/FFC/PIC;14P,0.5MM,	1	SA	
C923	2203-006048	C-CER,CHIP;100nF,10%,10V,X7R,TP,	1	SA		CON301	3708-002620	CONNECTOR-FPC/FFC/PIC;14P,0.5MM,	1	SA	
C924	2203-001432	C-CER,CHIP;47nF,+80-20%,16V,Y5V,	1	SA		D101	0402-001324	DIODE-RECTIFIER;RB491D,25V,1A,SO	1	SA	
C925	2203-006048	C-CER,CHIP;100nF,10%,10V,X7R,TP,	1	SA		D102	0404-001272	DIODE-SCHOTTKY;1SS416,30V,100mA,	1	SA	
C926	2203-005664	C-CER,CHIP;4700nF,10%,6.3V,X5R,2	1	SC		D103	0404-001272	DIODE-SCHOTTKY;1SS416,30V,100mA,	1	SA	
C927	2203-006348	C-CER,CHIP;1000nF,10%,25V,X5R,TP	1	SA		D201	0404-001096	DIODE-SCHOTTKY;1SS393,40V,100mA,	1	SA	
C928	2203-006348	C-CER,CHIP;1000nF,10%,25V,X5R,TP	1	SA		D301	0401-001110	DIODE-SWITCHING;1SS400,80V,100mA	1	SA	
C929	2203-006348	C-CER,CHIP;1000nF,10%,25V,X5R,TP	1	SA		D604	0404-001272	DIODE-SCHOTTKY;1SS416,30V,100mA,	1	SA	
CA02	2203-002487	C-CER,CHIP;4.7nF,10%,25V,X7R,TP,	1	SA		D901	0401-001110	DIODE-SWITCHING;1SS400,80V,100mA	1	SA	
CA04	2203-000995	C-CER,CHIP;.047nF,5%,50V,C0G,TP,	1	SA		F101	3601-001331	FUSE-SURFACE MOUNT;32V,1.25A,SLO	1	SA	
CA05	2203-000995	C-CER,CHIP;.047nF,5%,50V,C0G,TP,	1	SA		F102	3601-001331	FUSE-SURFACE MOUNT;32V,1.25A,SLO	1	SA	
CA09	2203-000254	C-CER,CHIP;10nF,10%,16V,X7R,TP,1	1	SA		FFC-FRONT3809-002365	FFC CABLE-FLAT;30V,80C,45mm,14P,	1	SA		
CA10	2203-000438	C-CER,CHIP;1nF,10%,50V,X7R,TP,10	1	SA		I901	1003-001988	IC-MOTOR DRIVER;uPD168104,WQFN,5	1	SA	
CA12	2203-005481	C-CER,CHIP;47nF,10%,10V,X7R,TP,1	1	SA		IC101	1203-005514	IC-PWM CONTROLLER;BD9757MWW,QFN,	1	SA	
CA13	2203-007276	C-CER,CHIP;56nF,10%,16V,X7R,TP,1	1	SA		IC102	1203-005705	IC-POSIFIXED REG.;RP103N181D,SO	1	SA	
CA14	2203-000940	C-CER,CHIP;47nF,10%,50V,X7R,TP,	1	SA		IC103	1203-005883	IC-POSIFIXED REG.;RP130N471D-TR	1	SA	
CA15	2203-000995	C-CER,CHIP;.047nF,5%,50V,C0G,TP,	1	SA		IC201	1203-004021	IC-BATTERY;BQ24035RHLR,PQFP,20P,	1	SA	
CA16	2203-000995	C-CER,CHIP;.047nF,5%,50V,C0G,TP,	1	SA		IC202	1209-001841	IC-SENSOR;MRMS501A,SOT223,3P,1.4	1	SA	
CA17	2203-000254	C-CER,CHIP;10nF,10%,16V,X7R,TP,1	1	SA		IC301	0903-001616	IC-MICROCOMPUTER;R5F64112NLG,100	1	SNA	
CA19	2203-000489	C-CER,CHIP;2.2nF,10%,50V,X7R,TP,	1	SA		IC302	1203-005845	IC-POSIFIXED REG.;RP103N311D-TR	1	SA	
CA20	2203-002487	C-CER,CHIP;4.7nF,10%,25V,X7R,TP,	1	SA		IC303	0909-001058	IC-REAL TIME CLOCK;R2051T01,TSSO	1	SA	
CA21	2203-000438	C-CER,CHIP;1nF,10%,50V,X7R,TP,10	1	SA		IC401	AD13-00049A	IC-DSP-NIKE;SSC7329X01,440Pin,15	1	SNA	
CA22	2203-000254	C-CER,CHIP;10nF,10%,16V,X7R,TP,1	1	SA		IC501	1105-002025	IC-DDR SDRAM;A3S12D40ETP-G5,DDR,	1	SNA	
CA24	2203-007276	C-CER,CHIP;56nF,10%,16V,X7R,TP,1	1	SA		IC502	1107-001699	IC-FLASH MEMORY;KF61216U2B,512Mb	1	SNA	
CA25	2203-005481	C-CER,CHIP;47nF,10%,10V,X7R,TP,1	1	SA		IC601	AD13-00052A	IC ASIC-HIGEN;MDIN230,144,1.2V 1	1	SNA	
CA26	2203-000940	C-CER,CHIP;47nF,10%,50V,X7R,TP,	1	SA		IC701	1205-002877	IC-CODEC;AK4642EN,QFN,32P,5x5mm,	1	SNA	
CA29	2203-006361	C-CER,CHIP;1000nF,10%,10V,X5R,T	1	SC		IC704	1201-002413	IC-VIDEO AMP;MAX9502GELT,uDFN,6P	1	SA	
CA30	2203-006361	C-CER,CHIP;1000nF,10%,10V,X5R,T	1	SC		IC801	1002-001449	IC-A/D CONVERTER;VSP2582RHN,12,Q	1	SA	
CA32	2203-006348	C-CER,CHIP;1000nF,10%,25V,X5R,TP	1	SA		IC802	1003-002142	IC-CLOCK DRIVER;NVD2014,TSSOP,16	1	SA	
CA33	2203-000254	C-CER,CHIP;10nF,10%,16V,X7R,TP,1	1	SA		ICA01	1204-003055	IC-FILTER;BH9992GU,TR,64P,4.33x4	1	SNA	
CA34	2203-000489	C-CER,CHIP;2.2nF,10%,50V,X7R,TP,	1	SA		ICA02	1201-002436	IC-OP AMP;NJM2734V,SSOP,TP,14P,5	1	SA	
CA35	2203-006348	C-CER,CHIP;1000nF,10%,25V,X5R,TP	1	SA		ICA03	1201-002436	IC-OP AMP;NJM2734V,SSOP,TP,14P,5	1	SA	
CA36	2203-006348	C-CER,CHIP;1000nF,10%,25V,X5R,TP	1	SA		ICA04	1001-001305	IC-ANALOG SWITCH;74HC4066PW,TSSO	1	SA	
CA37	2203-006348	C-CER,CHIP;1000nF,10%,25V,X5R,TP	1	SA		ICB01	AD32-00026A	SENSOR-GYRO;XV-3500CB,SPIDER,20	1	SNA	
CA41	2203-006048	C-CER,CHIP;100nF,10%,10V,X7R,TP,	1	SA		ICB02	1201-002787	IC-OP AMP;SM6661AB-G,QFN,TP,16P,	1	SA	
CA42	2203-006474	C-CER,CHIP;22000nF,20%,6.3V,X5R,	1	SA		J701	3722-002909	JACK-PHONE;5P,AU30U,BLK,SMD-A	1	SA	
CA51	2203-006348	C-CER,CHIP;1000nF,10%,25V,X5R,TP	1	SA		L101	2703-000403	INDUCTOR-SMD;22uH,10%,3225	1	SA	
CA52	2203-006348	C-CER,CHIP;1000nF,10%,25V,X5R,TP	1	SA		L102	2703-000403	INDUCTOR-SMD;22uH,10%,3225	1	SA	
CA53	2203-006348	C-CER,CHIP;1000nF,10%,25V,X5R,TP	1	SA		L103	2703-003375	INDUCTOR-SMD;4.7uH,0.2,3838	1	SA	
CA54	2203-006348	C-CER,CHIP;1000nF,10%,25V,X5R,TP	1	SA		L104	2703-000403	INDUCTOR-SMD;22uH,10%,3225	1	SA	
CB01	2203-006474	C-CER,CHIP;22000nF,20%,6.3V,X5R,	1	SA		L105	2703-003375	INDUCTOR-SMD;4.7uH,0.2,3838	1	SA	
CB02	2203-006158	C-CER,CHIP;100nF,10%,16V,X7R,100	1	SA		L106	2703-003376	INDUCTOR-SMD;10uH,0.2,3838	1	SA	
CB04	2203-006378	C-CER,CHIP;4700nF,10%,6.3V,X5R,1	1	SA		L107	2703-003375	INDUCTOR-SMD;4.7uH,0.2,3838	1	SA	
CB05	2203-006361	C-CER,CHIP;1000nF,10%,10V,X5R,T	1	SC		L108	2703-003375	INDUCTOR-SMD;4.7uH,0.2,3838	1	SA	
CB07	2203-006158	C-CER,CHIP;100nF,10%,16V,X7R,100	1	SA		L109	2703-002724	INDUCTOR-SMD;10uH,10%,2012	1	SA	
CB09	2203-007133	C-CER,CHIP;1000nF,10%,16V,X5R,T	1	SA		L701	2703-002723	INDUCTOR-SMD;22UH,10%,2012	1	SA	
CB10	2203-000233	C-CER,CHIP;0.1nF,5%,50V,C0G,TP,1	1	SA		L702	2703-002723	INDUCTOR-SMD;22UH,10%,2012	1	SA	
CB11	2203-000489	C-CER,CHIP;2.2nF,10%,50V,X7R,TP,	1	SA		L703	2703-002723	INDUCTOR-SMD;22UH,10%,2012	1	SA	
CB13	2203-006158	C-CER,CHIP;100nF,10%,16V,X7R,100	1	SA		L801	2703-002723	INDUCTOR-SMD;22UH,10%,2012	1	SA	
CB14	2203-006158	C-CER,CHIP;100nF,10%,16V,X7R,100	1	SA		L802	2703-002723	INDUCTOR-SMD;22UH,10%,2012	1	SA	
CB16	2203-000489	C-CER,CHIP;2.2nF,10%,50V,X7R,TP,	1	SA		L901	2703-002723	INDUCTOR-SMD;22UH,10%,2012	1	SA	
CB17	2203-006361	C-CER,CHIP;1000nF,10%,10V,X5R,T	1	SC		L902	2703-002723	INDUCTOR-SMD;22UH,10%,2012	1	SA	
CB18	2203-000233	C-CER,CHIP;0.1nF,5%,50V,C0G,TP,1	1	SA		L903	2703-002727	INDUCTOR-SMD;4.7uH,20%,2012	1	SA	



Loc.No	Part No	Description : Specification	Q'ty	S.N.A	Remark	Loc.No	Part No	Description : Specification	Q'ty	S.N.A	Remark
LA01	2703-002724	INDUCTOR-SMD;10uH,10%,2012	1	SA		R208	2007-007001	R-CHIP;3.9Kohm,5%,1/16W,TP,1005	1	SA	
LA02	2703-002724	INDUCTOR-SMD;10uH,10%,2012	1	SA		R209	2007-001320	R-CHIP;1.8Kohm,5%,1/16W,TP,1005	1	SA	
LA03	2703-002723	INDUCTOR-SMD;22UH,10%,2012	1	SA		R210	2007-001320	R-CHIP;1.8Kohm,5%,1/16W,TP,1005	1	SA	
LA04	2703-002724	INDUCTOR-SMD;10uH,10%,2012	1	SA		R211	2007-000162	R-CHIP;100Kohm,5%,1/16W,TP,1005	1	SA	
LA05	2703-002724	INDUCTOR-SMD;10uH,10%,2012	1	SA		R212	2007-000162	R-CHIP;100Kohm,5%,1/16W,TP,1005	1	SA	
LA06	2703-002724	INDUCTOR-SMD;10uH,10%,2012	1	SA		R213	2007-007946	R-CHIP;470Kohm,1%,1/16W,TP,1005	1	SA	
LA07	2703-002724	INDUCTOR-SMD;10uH,10%,2012	1	SA		R214	2007-007942	R-CHIP;1Mohm,1%,1/16W,TP,1005	1	SA	
LB01	2703-002723	INDUCTOR-SMD;22UH,10%,2012	1	SA		R215	2007-000162	R-CHIP;100Kohm,5%,1/16W,TP,1005	1	SA	
PCB	AD41-01319A	PCB-MAIN;K40,FR4,8LAYER,00,T1,0,	0.25	SNA		R217	2007-000162	R-CHIP;100Kohm,5%,1/16W,TP,1005	1	SA	
Q102	0506-001066	TR-ARRAY;UMF5,NPN/PNP,2,150mW,SC	1	SA		R218	2007-000162	R-CHIP;100Kohm,5%,1/16W,TP,1005	1	SA	
Q103	0505-002567	FET/SBD;SCH2830,P,-20V,-1A,1ohm,	1	SA		R219	2007-000157	R-CHIP;47Kohm,5%,1/16W,TP,1005	1	SA	
Q104	0506-001066	TR-ARRAY;UMF5,NPN/PNP,2,150mW,SC	1	SA		R220	2007-000157	R-CHIP;47Kohm,5%,1/16W,TP,1005	1	SA	
Q201	0504-001025	TR-DIGITAL;DTC143EE,NPN,150mW,4.	1	SA		R221	2007-000157	R-CHIP;47Kohm,5%,1/16W,TP,1005	1	SA	
Q202	0504-001025	TR-DIGITAL;DTC143EE,NPN,150mW,4.	1	SA		R222	2007-000157	R-CHIP;47Kohm,5%,1/16W,TP,1005	1	SA	
Q601	0501-000225	TR-SMALL SIGNAL;2SC4617,NPN,200m	1	SA		R223	2007-000148	R-CHIP;10Kohm,5%,1/16W,TP,1005	1	SA	
Q602	0506-001066	TR-ARRAY;UMF5,NPN/PNP,2,150mW,SC	1	SA		R224	2007-000173	R-CHIP;22ohm,5%,1/16W,TP,1005	1	SA	
Q901	0501-000225	TR-SMALL SIGNAL;2SC4617,NPN,200m	1	SA		R225	2007-000173	R-CHIP;22ohm,5%,1/16W,TP,1005	1	SA	
Q902	0504-001025	TR-DIGITAL;DTC143EE,NPN,150mW,4.	1	SA		R226	2007-000173	R-CHIP;22ohm,5%,1/16W,TP,1005	1	SA	
QA01	0501-000225	TR-SMALL SIGNAL;2SC4617,NPN,200m	1	SA		R227	2007-000173	R-CHIP;22ohm,5%,1/16W,TP,1005	1	SA	
QA02	0501-000225	TR-SMALL SIGNAL;2SC4617,NPN,200m	1	SA		R228	2007-000173	R-CHIP;22ohm,5%,1/16W,TP,1005	1	SA	
QA03	0506-001066	TR-ARRAY;UMF5,NPN/PNP,2,150mW,SC	1	SA		R229	2007-000173	R-CHIP;22ohm,5%,1/16W,TP,1005	1	SA	
QA05	0501-000552	TR-SMALL SIGNAL;2SA1774-Q,P,NP,15	1	SA		R230	2007-000152	R-CHIP;20Kohm,5%,1/16W,TP,1005	1	SA	
QA06	0501-000552	TR-SMALL SIGNAL;2SA1774-Q,P,NP,15	1	SA		R231	2007-001325	R-CHIP;3.3Kohm,5%,1/16W,TP,1005	1	SA	
QB01	0504-000168	TR-DIGITAL;RN1104,NPN,100mW,47K/	1	SA		R303	2007-000143	R-CHIP;4.7Kohm,5%,1/16W,TP,1005	1	SA	
QB02	0504-001100	TR-DIGITAL;EMH6,NPN,150mW,47K/E	1	SA		R307	2007-000162	R-CHIP;100Kohm,5%,1/16W,TP,1005	1	SA	
QB03	0502-001266	TR-POWER;KTA1532T,P,NP,900mW,TSM,	1	SA		R315	2007-000162	R-CHIP;100Kohm,5%,1/16W,TP,1005	1	SA	
QB04	0502-001221	TR-POWER;CPH3209,NPN,900mW,CPH3,	1	SA		R317	2007-000162	R-CHIP;100Kohm,5%,1/16W,TP,1005	1	SA	
QB05	0502-001266	TR-POWER;KTA1532T,P,NP,900mW,TSM,	1	SA		R319	2007-000162	R-CHIP;100Kohm,5%,1/16W,TP,1005	1	SA	
QB06	0502-001221	TR-POWER;CPH3209,NPN,900mW,CPH3,	1	SA		R323	2007-000168	R-CHIP;470Kohm,5%,1/16W,TP,1005	1	SA	
R101	2007-007107	R-CHIP;100Kohm,1%,1/16W,TP,1005	1	SA		R324	2007-000143	R-CHIP;4.7Kohm,5%,1/16W,TP,1005	1	SA	
R102	2007-008037	R-CHIP;57.6Kohm,1%,1/16W,TP,1005	1	SA		R336	2007-000143	R-CHIP;4.7Kohm,5%,1/16W,TP,1005	1	SA	
R103	2007-008354	R-CHIP;220Kohm,1%,1/16W,TP,1005	1	SA		R338	2007-000162	R-CHIP;100Kohm,5%,1/16W,TP,1005	1	SA	
R104	2007-007470	R-CHIP;7.5Kohm,1%,1/16W,TP,1005	1	SA		R340	2007-000143	R-CHIP;4.7Kohm,5%,1/16W,TP,1005	1	SA	
R105	2007-007107	R-CHIP;100Kohm,1%,1/16W,TP,1005	1	SA		R342	2007-000148	R-CHIP;10Kohm,5%,1/16W,TP,1005	1	SA	
R106	2007-000152	R-CHIP;20Kohm,5%,1/16W,TP,1005	1	SA		R343	2007-000162	R-CHIP;100Kohm,5%,1/16W,TP,1005	1	SA	
R107	2007-000164	R-CHIP;150Kohm,5%,1/16W,TP,1005	1	SA		R344	2007-000162	R-CHIP;100Kohm,5%,1/16W,TP,1005	1	SA	
R108	2007-008354	R-CHIP;220Kohm,1%,1/16W,TP,1005	1	SA		R345	2007-001323	R-CHIP;3Kohm,5%,1/16W,TP,1005	1	SA	
R109	2007-008354	R-CHIP;220Kohm,1%,1/16W,TP,1005	1	SA		R356	2007-000170	R-CHIP;1Mohm,5%,1/16W,TP,1005	1	SA	
R110	2007-008037	R-CHIP;57.6Kohm,1%,1/16W,TP,1005	1	SA		R357	2007-000148	R-CHIP;10Kohm,5%,1/16W,TP,1005	1	SA	
R111	2007-007107	R-CHIP;100Kohm,1%,1/16W,TP,1005	1	SA		R358	2007-000148	R-CHIP;10Kohm,5%,1/16W,TP,1005	1	SA	
R112	2007-008037	R-CHIP;57.6Kohm,1%,1/16W,TP,1005	1	SA		R359	2007-000148	R-CHIP;10Kohm,5%,1/16W,TP,1005	1	SA	
R113	2007-008417	R-CHIP;34Kohm,1%,1/16W,TP,1005	1	SA		R360	2007-000148	R-CHIP;10Kohm,5%,1/16W,TP,1005	1	SA	
R114	2007-008300	R-CHIP;5.11Kohm,1%,1/16W,TP,1005	1	SA		R361	2007-000148	R-CHIP;10Kohm,5%,1/16W,TP,1005	1	SA	
R115	2007-007107	R-CHIP;100Kohm,1%,1/16W,TP,1005	1	SA		R363	2007-000143	R-CHIP;4.7Kohm,5%,1/16W,TP,1005	1	SA	
R116	2007-008417	R-CHIP;34Kohm,1%,1/16W,TP,1005	1	SA		R364	2007-000143	R-CHIP;4.7Kohm,5%,1/16W,TP,1005	1	SA	
R117	2007-008354	R-CHIP;220Kohm,1%,1/16W,TP,1005	1	SA		R366	2007-000171	R-CHIP;0ohm,5%,1/16W,TP,1005	1	SA	
R118	2007-007942	R-CHIP;1Mohm,1%,1/16W,TP,1005	1	SA		R381	2007-000162	R-CHIP;100Kohm,5%,1/16W,TP,1005	1	SA	
R119	2007-008417	R-CHIP;34Kohm,1%,1/16W,TP,1005	1	SA		R382	2007-000162	R-CHIP;100Kohm,5%,1/16W,TP,1005	1	SA	
R120	2007-007942	R-CHIP;1Mohm,1%,1/16W,TP,1005	1	SA		R384	2007-000148	R-CHIP;10Kohm,5%,1/16W,TP,1005	1	SA	
R121	2007-007489	R-CHIP;150Kohm,1%,1/16W,TP,1005	1	SA		R385	2007-000143	R-CHIP;4.7Kohm,5%,1/16W,TP,1005	1	SA	
R122	2007-008354	R-CHIP;220Kohm,1%,1/16W,TP,1005	1	SA		R386	2007-000140	R-CHIP;1Kohm,5%,1/16W,TP,1005	1	SA	
R123	2007-007946	R-CHIP;470Kohm,1%,1/16W,TP,1005	1	SA		R387	2007-000140	R-CHIP;1Kohm,5%,1/16W,TP,1005	1	SA	
R125	2007-000153	R-CHIP;22Kohm,5%,1/16W,TP,1005	1	SA		R388	2007-007318	R-CHIP;1Kohm,1%,1/16W,TP,1005	1	SA	
R127	2007-001325	R-CHIP;3.3Kohm,5%,1/16W,TP,1005	1	SA		R389	2007-000140	R-CHIP;1Kohm,5%,1/16W,TP,1005	1	SA	
R128	2007-000153	R-CHIP;22Kohm,5%,1/16W,TP,1005	1	SA		R390	2007-000140	R-CHIP;1Kohm,5%,1/16W,TP,1005	1	SA	
R129	2007-001325	R-CHIP;3.3Kohm,5%,1/16W,TP,1005	1	SA		R403	2007-000162	R-CHIP;100Kohm,5%,1/16W,TP,1005	1	SA	
R201	2007-000162	R-CHIP;100Kohm,5%,1/16W,TP,1005	1	SA		R405	2007-000172	R-CHIP;10ohm,5%,1/16W,TP,1005	1	SA	
R202	2007-000067	R-CHIP;15Kohm,1%,1/10W,TP,1608	1	SA		R406	2007-000172	R-CHIP;10ohm,5%,1/16W,TP,1005	1	SA	
R203	2007-000583	R-CHIP;22Kohm,1%,1/10W,TP,1608	1	SA		R407	2007-000172	R-CHIP;10ohm,5%,1/16W,TP,1005	1	SA	
R204	2007-008213	R-CHIP;4.3Kohm,1%,1/16W,TP,1005	1	SA		R409	2007-000173	R-CHIP;22ohm,5%,1/16W,TP,1005	1	SA	
R205	2007-000772	R-CHIP;33Kohm,1%,1/10W,TP,1608	1	SA		R410	2007-000172	R-CHIP;10ohm,5%,1/16W,TP,1005	1	SA	
R206	2007-008417	R-CHIP;34Kohm,1%,1/16W,TP,1005	1	SA		R411	2007-000172	R-CHIP;10ohm,5%,1/16W,TP,1005	1	SA	
R207	2007-008037	R-CHIP;57.6Kohm,1%,1/16W,TP,1005	1	SA							

## Exploded Views and Parts List

Loc.No	Part No	Description : Specification	Q'ty	S.N.A	Remark	Loc.No	Part No	Description : Specification	Q'ty	S.N.A	Remark
R412	2007-000138	R-CHIP;100ohm,5%,1/16W,TP,1005	1	SA		R602	2007-000162	R-CHIP;100Kohm,5%,1/16W,TP,1005	1	SA	
R413	2007-000138	R-CHIP;100ohm,5%,1/16W,TP,1005	1	SA		R605	2007-000140	R-CHIP;1Kohm,5%,1/16W,TP,1005	1	SA	
R416	2007-000162	R-CHIP;100Kohm,5%,1/16W,TP,1005	1	SA		R606	2007-000142	R-CHIP;2.7Kohm,5%,1/16W,TP,1005	1	SA	
R417	2007-000162	R-CHIP;100Kohm,5%,1/16W,TP,1005	1	SA		R607	2007-000153	R-CHIP;22Kohm,5%,1/16W,TP,1005	1	SA	
R418	2007-000162	R-CHIP;100Kohm,5%,1/16W,TP,1005	1	SA		R608	2007-001325	R-CHIP;3.3Kohm,5%,1/16W,TP,1005	1	SA	
R419	2007-000142	R-CHIP;2.7Kohm,5%,1/16W,TP,1005	1	SA		R610	2007-000157	R-CHIP;47Kohm,5%,1/16W,TP,1005	1	SA	
R420	2007-000159	R-CHIP;56Kohm,5%,1/16W,TP,1005	1	SA		R616	2007-000140	R-CHIP;1Kohm,5%,1/16W,TP,1005	1	SA	
R421	2007-000775	R-CHIP;33Kohm,5%,1/16W,TP,1005	1	SA		R630	2007-000174	R-CHIP;47ohm,5%,1/16W,TP,1005	1	SA	
R422	2007-000142	R-CHIP;2.7Kohm,5%,1/16W,TP,1005	1	SA		R631	2007-000174	R-CHIP;47ohm,5%,1/16W,TP,1005	1	SA	
R423	2007-000159	R-CHIP;56Kohm,5%,1/16W,TP,1005	1	SA		R634	2007-007588	R-CHIP;1.8Kohm,1%,1/16W,TP,1005	1	SA	
R424	2007-000775	R-CHIP;33Kohm,5%,1/16W,TP,1005	1	SA		R635	2007-000143	R-CHIP;4.7Kohm,5%,1/16W,TP,1005	1	SA	
R425	2007-000142	R-CHIP;2.7Kohm,5%,1/16W,TP,1005	1	SA		R636	2007-000143	R-CHIP;4.7Kohm,5%,1/16W,TP,1005	1	SA	
R426	2007-000159	R-CHIP;56Kohm,5%,1/16W,TP,1005	1	SA		R637	2007-000174	R-CHIP;47ohm,5%,1/16W,TP,1005	1	SA	
R427	2007-000775	R-CHIP;33Kohm,5%,1/16W,TP,1005	1	SA		R638	2007-000174	R-CHIP;47ohm,5%,1/16W,TP,1005	1	SA	
R428	2007-007306	R-CHIP;100ohm,1%,1/16W,TP,1005	1	SA		R642	2007-000119	R-CHIP;560ohm,5%,1/10W,TP,1608	1	SA	
R429	2007-007306	R-CHIP;100ohm,1%,1/16W,TP,1005	1	SA		R644	2007-000143	R-CHIP;4.7Kohm,5%,1/16W,TP,1005	1	SA	
R430	2007-007306	R-CHIP;100ohm,1%,1/16W,TP,1005	1	SA		R645	2007-000151	R-CHIP;15Kohm,5%,1/16W,TP,1005	1	SA	
R431	2007-001119	R-CHIP;680ohm,5%,1/16W,TP,1005	1	SA		R647	2007-000148	R-CHIP;10Kohm,5%,1/16W,TP,1005	1	SA	
R432	2007-000170	R-CHIP;1Mohm,5%,1/16W,TP,1005	1	SA		R662	2007-000775	R-CHIP;33Kohm,5%,1/16W,TP,1005	1	SA	
R433	2007-000171	R-CHIP;0ohm,5%,1/16W,TP,1005	1	SA		R663	2007-007588	R-CHIP;1.8Kohm,1%,1/16W,TP,1005	1	SA	
R434	2007-000162	R-CHIP;100Kohm,5%,1/16W,TP,1005	1	SA		R711	2007-000162	R-CHIP;100Kohm,5%,1/16W,TP,1005	1	SA	
R435	2007-000148	R-CHIP;10Kohm,5%,1/16W,TP,1005	1	SA		R712	2007-000171	R-CHIP;0ohm,5%,1/16W,TP,1005	1	SA	
R436	2007-000162	R-CHIP;100Kohm,5%,1/16W,TP,1005	1	SA		R713	2007-000148	R-CHIP;10Kohm,5%,1/16W,TP,1005	1	SA	
R437	2007-000162	R-CHIP;100Kohm,5%,1/16W,TP,1005	1	SA		R721	2007-000141	R-CHIP;2.2Kohm,5%,1/16W,TP,1005	1	SA	
R439	2007-000162	R-CHIP;100Kohm,5%,1/16W,TP,1005	1	SA		R722	2007-000141	R-CHIP;2.2Kohm,5%,1/16W,TP,1005	1	SA	
R441	2007-000170	R-CHIP;1Mohm,5%,1/16W,TP,1005	1	SA		R725	2007-000171	R-CHIP;0ohm,5%,1/16W,TP,1005	1	SA	
R442	2007-000140	R-CHIP;1Kohm,5%,1/16W,TP,1005	1	SA		R733	2007-000148	R-CHIP;10Kohm,5%,1/16W,TP,1005	1	SA	
R443	2007-000173	R-CHIP;22ohm,5%,1/16W,TP,1005	1	SA		R734	2007-000148	R-CHIP;10Kohm,5%,1/16W,TP,1005	1	SA	
R446	2007-000162	R-CHIP;100Kohm,5%,1/16W,TP,1005	1	SA		R741	2007-000162	R-CHIP;100Kohm,5%,1/16W,TP,1005	1	SA	
R447	2007-000171	R-CHIP;0ohm,5%,1/16W,TP,1005	1	SA		R742	2007-008015	R-CHIP;75ohm,1%,1/16W,TP,1005	1	SA	
R448	2007-000148	R-CHIP;10Kohm,5%,1/16W,TP,1005	1	SA		R751	2007-000140	R-CHIP;1Kohm,5%,1/16W,TP,1005	1	SA	
R449	2007-000148	R-CHIP;10Kohm,5%,1/16W,TP,1005	1	SA		R753	2007-000140	R-CHIP;1Kohm,5%,1/16W,TP,1005	1	SA	
R450	2007-000138	R-CHIP;100ohm,5%,1/16W,TP,1005	1	SA		R756	2007-000140	R-CHIP;1Kohm,5%,1/16W,TP,1005	1	SA	
R451	2007-000138	R-CHIP;100ohm,5%,1/16W,TP,1005	1	SA		R758	2007-000140	R-CHIP;1Kohm,5%,1/16W,TP,1005	1	SA	
R455	2007-000162	R-CHIP;100Kohm,5%,1/16W,TP,1005	1	SA		R801	2007-000083	R-CHIP;3Kohm,5%,1/10W,TP,1608	1	SA	
R457	2007-000162	R-CHIP;100Kohm,5%,1/16W,TP,1005	1	SA		R901	2007-000143	R-CHIP;4.7Kohm,5%,1/16W,TP,1005	1	SA	
R458	2007-000148	R-CHIP;10Kohm,5%,1/16W,TP,1005	1	SA		R902	2007-000148	R-CHIP;10Kohm,5%,1/16W,TP,1005	1	SA	
R459	2007-000148	R-CHIP;10Kohm,5%,1/16W,TP,1005	1	SA		R903	2007-000162	R-CHIP;100Kohm,5%,1/16W,TP,1005	1	SA	
R461	2007-000140	R-CHIP;1Kohm,5%,1/16W,TP,1005	1	SA		R904	2007-000162	R-CHIP;100Kohm,5%,1/16W,TP,1005	1	SA	
R463	2007-000162	R-CHIP;100Kohm,5%,1/16W,TP,1005	1	SA		R905	2007-000148	R-CHIP;10Kohm,5%,1/16W,TP,1005	1	SA	
R464	2007-007107	R-CHIP;100Kohm,1%,1/16W,TP,1005	1	SA		R906	2007-001313	R-CHIP;330ohm,5%,1/16W,TP,1005	1	SA	
R467	2007-000148	R-CHIP;10Kohm,5%,1/16W,TP,1005	1	SA		R907	2007-007316	R-CHIP;3.3Kohm,1%,1/16W,TP,1005	1	SA	
R468	2007-000171	R-CHIP;0ohm,5%,1/16W,TP,1005	1	SA		R908	2007-000153	R-CHIP;22Kohm,5%,1/16W,TP,1005	1	SA	
R471	2007-000171	R-CHIP;0ohm,5%,1/16W,TP,1005	1	SA		R909	2007-000143	R-CHIP;4.7Kohm,5%,1/16W,TP,1005	1	SA	
R501	2007-000171	R-CHIP;0ohm,5%,1/16W,TP,1005	1	SA		R910	2007-007318	R-CHIP;1Kohm,1%,1/16W,TP,1005	1	SA	
R502	2007-000162	R-CHIP;100Kohm,5%,1/16W,TP,1005	1	SA		R911	2007-001311	R-CHIP;270ohm,5%,1/16W,TP,1005	1	SA	
R503	2007-000162	R-CHIP;100Kohm,5%,1/16W,TP,1005	1	SA		R912	2007-000162	R-CHIP;100Kohm,5%,1/16W,TP,1005	1	SA	
R504	2007-000140	R-CHIP;1Kohm,5%,1/16W,TP,1005	1	SA		R913	2007-000156	R-CHIP;30Kohm,5%,1/16W,TP,1005	1	SA	
R505	2007-000171	R-CHIP;0ohm,5%,1/16W,TP,1005	1	SA		R914	2007-000162	R-CHIP;100Kohm,5%,1/16W,TP,1005	1	SA	
R506	2007-000162	R-CHIP;100Kohm,5%,1/16W,TP,1005	1	SA		R915	2007-000162	R-CHIP;100Kohm,5%,1/16W,TP,1005	1	SA	
R507	2007-000171	R-CHIP;0ohm,5%,1/16W,TP,1005	1	SA		R916	2007-000164	R-CHIP;150Kohm,5%,1/16W,TP,1005	1	SA	
R508	2007-000171	R-CHIP;0ohm,5%,1/16W,TP,1005	1	SA		R917	2007-000157	R-CHIP;47Kohm,5%,1/16W,TP,1005	1	SA	
R509	2007-000171	R-CHIP;0ohm,5%,1/16W,TP,1005	1	SA		R918	2007-001325	R-CHIP;3.3Kohm,5%,1/16W,TP,1005	1	SA	
R510	2007-000171	R-CHIP;0ohm,5%,1/16W,TP,1005	1	SA		R919	2007-000143	R-CHIP;4.7Kohm,5%,1/16W,TP,1005	1	SA	
R511	2007-000162	R-CHIP;100Kohm,5%,1/16W,TP,1005	1	SA		R920	2007-000775	R-CHIP;33Kohm,5%,1/16W,TP,1005	1	SA	
R512	2007-000162	R-CHIP;100Kohm,5%,1/16W,TP,1005	1	SA		R921	2007-000162	R-CHIP;100Kohm,5%,1/16W,TP,1005	1	SA	
R514	2007-000162	R-CHIP;100Kohm,5%,1/16W,TP,1005	1	SA		R922	2007-000142	R-CHIP;2.7Kohm,5%,1/16W,TP,1005	1	SA	
R515	2007-000162	R-CHIP;100Kohm,5%,1/16W,TP,1005	1	SA		R923	2007-000636	R-CHIP;270Kohm,5%,1/16W,TP,1005	1	SA	
R516	2007-007142	R-CHIP;10Kohm,1%,1/16W,TP,1005	1	SA		R924	2007-000162	R-CHIP;100Kohm,5%,1/16W,TP,1005	1	SA	
R517	2007-007142	R-CHIP;10Kohm,1%,1/16W,TP,1005	1	SA		R925	2007-001307	R-CHIP;180ohm,5%,1/16W,TP,1005	1	SA	
R518	2007-000171	R-CHIP;0ohm,5%,1/16W,TP,1005	1	SA		R926	2007-001307	R-CHIP;180ohm,5%,1/16W,TP,1005	1	SA	
R519	2007-000171	R-CHIP;0ohm,5%,1/16W,TP,1005	1	SA		R927	2007-000159	R-CHIP;56Kohm,5%,1/16W,TP,1005	1	SA	
R601	2007-000143	R-CHIP;4.7Kohm,5%,1/16W,TP,1005	1	SA							

Loc.No	Part No	Description : Specification	Q'ty	S.N.A	Remark	Loc.No	Part No	Description : Specification	Q'ty	S.N.A	Remark
R928	2007-000159	R-CHIP;56Kohm,5%,1/16W,TP,1005	1	SA		RA75	2007-000155	R-CHIP;27Kohm,5%,1/16W,TP,1005	1	SA	
R929	2007-007312	R-CHIP;20Kohm,1%,1/16W,TP,1005	1	SA		RA76	2007-000155	R-CHIP;27Kohm,5%,1/16W,TP,1005	1	SA	
RA03	2007-007470	R-CHIP;7.5Kohm,1%,1/16W,TP,1005	1	SA		RA77	2007-000155	R-CHIP;27Kohm,5%,1/16W,TP,1005	1	SA	
RA04	2007-000758	R-CHIP;330Kohm,5%,1/16W,TP,1005	1	SA		RA80	2203-007276	C-CER,CHIP;56nF,10%,16V,X7R,TP,1	1	SA	
RA05	2007-007134	R-CHIP;39Kohm,1%,1/16W,TP,1005	1	SA		RA81	2203-005481	C-CER,CHIP;47nF,10%,10V,X7R,TP,1	1	SA	
RA06	2007-000154	R-CHIP;24Kohm,5%,1/16W,TP,1005	1	SA		RA82	2203-005481	C-CER,CHIP;47nF,10%,10V,X7R,TP,1	1	SA	
RA07	2007-001119	R-CHIP;680ohm,5%,1/16W,TP,1005	1	SA		RA83	2203-007276	C-CER,CHIP;56nF,10%,16V,X7R,TP,1	1	SA	
RA08	2007-000148	R-CHIP;10Kohm,5%,1/16W,TP,1005	1	SA		RA84	2007-000758	R-CHIP;330Kohm,5%,1/16W,TP,1005	1	SA	
RA09	2007-000148	R-CHIP;10Kohm,5%,1/16W,TP,1005	1	SA		RA85	2007-000758	R-CHIP;330Kohm,5%,1/16W,TP,1005	1	SA	
RA10	2007-000636	R-CHIP;270Kohm,5%,1/16W,TP,1005	1	SA		RA88	2007-007142	R-CHIP;10Kohm,1%,1/16W,TP,1005	1	SA	
RA11	2007-000636	R-CHIP;270Kohm,5%,1/16W,TP,1005	1	SA		RA89	2007-007142	R-CHIP;10Kohm,1%,1/16W,TP,1005	1	SA	
RA12	2007-000167	R-CHIP;390Kohm,5%,1/16W,TP,1005	1	SA		RA90	2007-001325	R-CHIP;3.3Kohm,5%,1/16W,TP,1005	1	SA	
RA13	2007-007590	R-CHIP;82Kohm,1%,1/16W,TP,1005	1	SA		RA91	2007-007142	R-CHIP;10Kohm,1%,1/16W,TP,1005	1	SA	
RA14	2007-000162	R-CHIP;100Kohm,5%,1/16W,TP,1005	1	SA		RA92	2007-007142	R-CHIP;10Kohm,1%,1/16W,TP,1005	1	SA	
RA15	2007-000758	R-CHIP;330Kohm,5%,1/16W,TP,1005	1	SA		RA93	2007-001325	R-CHIP;3.3Kohm,5%,1/16W,TP,1005	1	SA	
RA16	2007-000162	R-CHIP;100Kohm,5%,1/16W,TP,1005	1	SA		RA94	2007-000163	R-CHIP;120Kohm,5%,1/16W,TP,1005	1	SA	
RA17	2007-000162	R-CHIP;100Kohm,5%,1/16W,TP,1005	1	SA		RA95	2007-000163	R-CHIP;120Kohm,5%,1/16W,TP,1005	1	SA	
RA19	2007-000148	R-CHIP;10Kohm,5%,1/16W,TP,1005	1	SA		RA96	2007-000932	R-CHIP;470ohm,5%,1/16W,TP,1005	1	SA	
RA20	2007-000148	R-CHIP;10Kohm,5%,1/16W,TP,1005	1	SA		RA97	2007-000932	R-CHIP;470ohm,5%,1/16W,TP,1005	1	SA	
RA21	2007-000162	R-CHIP;100Kohm,5%,1/16W,TP,1005	1	SA		RA98	2007-000932	R-CHIP;470ohm,5%,1/16W,TP,1005	1	SA	
RA22	2007-000143	R-CHIP;4.7Kohm,5%,1/16W,TP,1005	1	SA		RA99	2007-000932	R-CHIP;470ohm,5%,1/16W,TP,1005	1	SA	
RA23	2007-000831	R-CHIP;39Kohm,5%,1/16W,TP,1005	1	SA		RB01	2007-000140	R-CHIP;1Kohm,5%,1/16W,TP,1005	1	SA	
RA24	2007-000170	R-CHIP;1Mohm,5%,1/16W,TP,1005	1	SA		RB02	2007-000140	R-CHIP;1Kohm,5%,1/16W,TP,1005	1	SA	
RA26	2007-007132	R-CHIP;15Kohm,1%,1/16W,TP,1005	1	SA		RB03	2007-000140	R-CHIP;1Kohm,5%,1/16W,TP,1005	1	SA	
RA28	2007-007132	R-CHIP;15Kohm,1%,1/16W,TP,1005	1	SA		RB04	2007-000140	R-CHIP;1Kohm,5%,1/16W,TP,1005	1	SA	
RA30	2007-000162	R-CHIP;100Kohm,5%,1/16W,TP,1005	1	SA		RB05	2007-000140	R-CHIP;1Kohm,5%,1/16W,TP,1005	1	SA	
RA31	2007-000831	R-CHIP;39Kohm,5%,1/16W,TP,1005	1	SA		RB06	2007-000171	R-CHIP;0ohm,5%,1/16W,TP,1005	1	SA	
RA32	2007-001119	R-CHIP;680ohm,5%,1/16W,TP,1005	1	SA		RB07	2007-000148	R-CHIP;10Kohm,5%,1/16W,TP,1005	1	SA	
RA33	2007-000148	R-CHIP;10Kohm,5%,1/16W,TP,1005	1	SA		RB08	2007-000148	R-CHIP;10Kohm,5%,1/16W,TP,1005	1	SA	
RA34	2007-000148	R-CHIP;10Kohm,5%,1/16W,TP,1005	1	SA		RB09	2007-000148	R-CHIP;10Kohm,5%,1/16W,TP,1005	1	SA	
RA35	2007-000636	R-CHIP;270Kohm,5%,1/16W,TP,1005	1	SA		RB10	2007-000148	R-CHIP;10Kohm,5%,1/16W,TP,1005	1	SA	
RA36	2007-000636	R-CHIP;270Kohm,5%,1/16W,TP,1005	1	SA		RB11	2007-000164	R-CHIP;150Kohm,5%,1/16W,TP,1005	1	SA	
RA37	2007-000162	R-CHIP;100Kohm,5%,1/16W,TP,1005	1	SA		RB12	2007-000758	R-CHIP;330Kohm,5%,1/16W,TP,1005	1	SA	
RA38	2007-000162	R-CHIP;100Kohm,5%,1/16W,TP,1005	1	SA		RB13	2007-000140	R-CHIP;1Kohm,5%,1/16W,TP,1005	1	SA	
RA39	2007-000758	R-CHIP;330Kohm,5%,1/16W,TP,1005	1	SA		RB14	2007-000758	R-CHIP;330Kohm,5%,1/16W,TP,1005	1	SA	
RA40	2007-000155	R-CHIP;27Kohm,5%,1/16W,TP,1005	1	SA		RB15	2007-000164	R-CHIP;150Kohm,5%,1/16W,TP,1005	1	SA	
RA41	2007-000155	R-CHIP;27Kohm,5%,1/16W,TP,1005	1	SA		RB16	2007-001307	R-CHIP;180ohm,5%,1/16W,TP,1005	1	SA	
RA42	2007-000155	R-CHIP;27Kohm,5%,1/16W,TP,1005	1	SA		RB17	2007-001307	R-CHIP;180ohm,5%,1/16W,TP,1005	1	SA	
RA43	2007-000148	R-CHIP;10Kohm,5%,1/16W,TP,1005	1	SA		RB18	2007-000157	R-CHIP;47Kohm,5%,1/16W,TP,1005	1	SA	
RA44	2007-000148	R-CHIP;10Kohm,5%,1/16W,TP,1005	1	SA		RB19	2007-000157	R-CHIP;47Kohm,5%,1/16W,TP,1005	1	SA	
RA45	2007-000162	R-CHIP;100Kohm,5%,1/16W,TP,1005	1	SA		SW201	3404-001216	SWITCH-TACT;12V DC,20mA,160gf.4.	1	SA	
RA46	2007-000162	R-CHIP;100Kohm,5%,1/16W,TP,1005	1	SA		SW202	3404-001216	SWITCH-TACT;12V DC,20mA,160gf.4.	1	SA	
RA47	2007-007470	R-CHIP;7.5Kohm,1%,1/16W,TP,1005	1	SA		SW203	3404-001216	SWITCH-TACT;12V DC,20mA,160gf.4.	1	SA	
RA48	2007-007090	R-CHIP;11Kohm,5%,1/16W,TP,1005	1	SA		SW204	3404-001216	SWITCH-TACT;12V DC,20mA,160gf.4.	1	SA	
RA50	2007-007090	R-CHIP;11Kohm,5%,1/16W,TP,1005	1	SA		SW205	3409-001184	SWITCH-DETECTOR;1mA,DC 5V,SPST,5	1	SA	
RA52	2007-000758	R-CHIP;330Kohm,5%,1/16W,TP,1005	1	SA		SW206	3404-001216	SWITCH-TACT;12V DC,20mA,160gf.4.	1	SA	
RA53	2007-000170	R-CHIP;1Mohm,5%,1/16W,TP,1005	1	SA		X301	2801-004730	CRYSTAL-SMD;12MHz,20ppm,TP	1	SA	
RA54	2007-000143	R-CHIP;4.7Kohm,5%,1/16W,TP,1005	1	SA		X302	2801-003856	CRYSTAL-SMD;0.032768MHz,20ppm,28	1	SA	
RA56	2007-000831	R-CHIP;39Kohm,5%,1/16W,TP,1005	1	SA		X401	2801-004730	CRYSTAL-SMD;12MHz,20ppm,TP	1	SA	
RA57	2007-007132	R-CHIP;15Kohm,1%,1/16W,TP,1005	1	SA		X402	2801-004784	CRYSTAL-SMD;48MHz,30ppm,7pF,50oh	1	SA	
RA59	2007-007132	R-CHIP;15Kohm,1%,1/16W,TP,1005	1	SA							
RA60	2007-000154	R-CHIP;24Kohm,5%,1/16W,TP,1005	1	SA							
RA61	2007-007134	R-CHIP;39Kohm,1%,1/16W,TP,1005	1	SA							
RA62	2007-000162	R-CHIP;100Kohm,5%,1/16W,TP,1005	1	SA							
RA63	2007-000167	R-CHIP;390Kohm,5%,1/16W,TP,1005	1	SA							
RA64	2007-007590	R-CHIP;82Kohm,1%,1/16W,TP,1005	1	SA							
RA65	2007-000831	R-CHIP;39Kohm,5%,1/16W,TP,1005	1	SA							
RA67	2007-000153	R-CHIP;22Kohm,5%,1/16W,TP,1005	1	SA							
RA68	2007-001325	R-CHIP;3.3Kohm,5%,1/16W,TP,1005	1	SA							
RA69	2007-000070	R-CHIP;0ohm,5%,1/10W,TP,1608	1	SA							
RA70	2007-000070	R-CHIP;0ohm,5%,1/10W,TP,1608	1	SA							
RA71	2007-000171	R-CHIP;0ohm,5%,1/16W,TP,1005	1	SA							
RA72	2007-000171	R-CHIP;0ohm,5%,1/16W,TP,1005	1	SA							

**ASSY LCD BOARD**

PO04	AD92-00851A	ASSY PCB LCD-K40-PJSMK-K40N/XAA	1	SNA
CL01	2203-000257	C-CER,CHIP;10nF,10%,50V,X7R,TP,1	1	SA
CL02	2203-002709	C-CER,CHIP;100nF,+80-20%,16V,Y5V	1	SA
CL03	2203-006361	C-CER,CHIP;10000nF,10%,10V,X5R,TP	1	SC
CL04	2203-006348	C-CER,CHIP;1000nF,10%,25V,X5R,TP	1	SA
CL05	2203-006348	C-CER,CHIP;1000nF,10%,25V,X5R,TP	1	SA
CL06	2203-006348	C-CER,CHIP;1000nF,10%,25V,X5R,TP	1	SA
CL07	2203-006320	C-CER,CHIP;2200nF,10%,16V,X7R,TP	1	SA
CL08	2203-006320	C-CER,CHIP;2200nF,10%,16V,X7R,TP	1	SA
CL09	2203-006320	C-CER,CHIP;2200nF,10%,16V,X7R,TP	1	SA

## Exploded Views and Parts List

Loc.No	Part No	Description : Specification	Q'ty	S.N.A	Remark
CL10	2203-006348	C-CER,CHIP;100nF,10%,25V,X5R,TP	1	SA	
CL11	2203-006348	C-CER,CHIP;100nF,10%,25V,X5R,TP	1	SA	
CL12	2203-006427	C-CER,CHIP;470nF,10%,16V,X5R,TP	1	SA	
CL13	2203-006320	C-CER,CHIP;220nF,10%,16V,X7R,TP	1	SA	
CL14	2203-006348	C-CER,CHIP;100nF,10%,25V,X5R,TP	1	SA	
CL15	2203-006348	C-CER,CHIP;100nF,10%,25V,X5R,TP	1	SA	
CL16	2203-006348	C-CER,CHIP;100nF,10%,25V,X5R,TP	1	SA	
CL17	2203-006348	C-CER,CHIP;100nF,10%,25V,X5R,TP	1	SA	
CL18	2203-006348	C-CER,CHIP;100nF,10%,25V,X5R,TP	1	SA	
CNL02	3708-002188	CONNECTOR-FPC/FFC/PIC;40P,0.5mm,	1	SA	
ICL01	1209-001841	IC-SENSOR;MRMS501A,SOT223,3P,1.4	1	SA	
RL01	2007-000067	R-CHIP;15Kohm,1%,1/10W,TP,1608	1	SA	
RL02	2007-000583	R-CHIP;22Kohm,1%,1/10W,TP,1608	1	SA	
RL03	2007-000772	R-CHIP;33Kohm,1%,1/10W,TP,1608	1	SA	
RL04	2007-000939	R-CHIP;47Kohm,1%,1/10W,TP,1608	1	SA	
RL05	2007-001206	R-CHIP;82Kohm,1%,1/10W,TP,1608	1	SA	
RL06	2007-000563	R-CHIP;220Kohm,1%,1/10W,TP,1608	1	SA	
RL07	2007-000309	R-CHIP;10ohm,5%,1/10W,TP,1608	1	SA	
SWL01	3404-001313	SWITCH-TACT;12V,50mA,160gf,7.6x7	1	SA	
SWL02	3404-001216	SWITCH-TACT;12V DC,20mA,160gf,4.	1	SA	
SWL03	3404-001216	SWITCH-TACT;12V DC,20mA,160gf,4.	1	SA	

### Assy CCD

Loc.No	Part No	Description : Specification	Q'ty	S.N.A	Remark
<b>C314</b>	<b>AD97-17569A</b>	<b>ASSY CCD-K40-PJ,SMX-K40BP/EDC,PA</b>	<b>1</b>	<b>SA</b>	
CC02	2203-002709	C-CER,CHIP;100nF,+80-20%,16V,Y5V	1	SA	
CC03	2203-000189	C-CER,CHIP;100nF,+80-20%,25V,Y5V	1	SA	
CC04	2203-000491	C-CER,CHIP;2.2nF,10%,50V,X7R,160	1	SA	
CC05	2203-000192	C-CER,CHIP;100nF,+80-20%,50V,Y5V	1	SA	
CC16	2203-006048	C-CER,CHIP;100nF,10%,10V,X7R,TP,	1	SA	
CN01	3710-002455	SOCKET-BOARD TO BOARD;20P,2R,0.5	1	SA	
DC01	0401-001054	DIODE-SWITCHING;KDS160,80V,100MA	1	SA	
QC01	0505-000180	FET-SILICON;2SK1070,N,50mA,.15W,	1	SA	
RC01	2007-000072	R-CHIP;47ohm,5%,1/10W,TP,1608	1	SA	
RC02	2007-000082	R-CHIP;3.3Kohm,5%,1/10W,TP,1608	1	SA	
RC03	2007-000102	R-CHIP;100Kohm,5%,1/10W,TP,1608	1	SA	
	6001-001527	SCREW-MACHINE;CH(0.3),+M1.7,L2.	2	SA	
	AD61-02368A	PLATE-CCD;DRAGON-2-PJ,AL,T1,W21,L	1	SA	
	0605-001146	CCD;CCD(PAL),DIP-14(Plastic),14P	1	SA	

### REAR PCB

Loc.No	Part No	Description : Specification	Q'ty	S.N.A	Remark
<b>P009</b>	<b>AD92-00847A</b>	<b>ASSY PCB REAR-K40-PJ,SMX-K40N/K</b>	<b>1</b>	<b>SA</b>	
CNR01	3708-002719	CONNECTOR-FPC/FFC/PIC;26P,0.5MM	1	SA	
CNR02	3709-001578	CONNECTOR-CARD SLOT;12P,2.5mm,S	1	SA	
CNR03	3708-002439	CONNECTOR-FPC/FFC/PIC;6P,0.5mm,	1	SA	
CR01	2203-002709	C-CER,CHIP;100nF,+80-20%,16V,Y5	1	SA	
CR02	2203-006474	C-CER,CHIP;2200nF,20%,6.3V,X5R	1	SA	
CR03	2203-006348	C-CER,CHIP;100nF,10%,25V,X5R,T	1	SA	
CR04	2203-002709	C-CER,CHIP;100nF,+80-20%,16V,Y5	1	SA	
CR05	2203-002709	C-CER,CHIP;100nF,+80-20%,16V,Y5	1	SA	
CR06	2203-002717	C-CER,CHIP;10nF,+80-20%,50V,Y5V	1	SA	
DR01	0601-002037	LED;SMD,BLUE,1.6x0.8x0.4mm,465/	1	SA	
DR02	0601-002037	LED;SMD,BLUE,1.6x0.8x0.4mm,465/	1	SA	
DR03	0601-002407	LED;SMD(TOP VIEW),orang/green,1	1	SA	
LR01	2703-002724	INDUCTOR-SMD;10uH,10%,2012	1	SA	
QR01	0504-001025	TR-DIGITAL;DTC143EE,NPN,150mW,4	1	SA	
QR02	0504-001025	TR-DIGITAL;DTC143EE,NPN,150mW,4	1	SA	
RR01	2007-001306	R-CHIP;150ohm,5%,1/16W,TP,1005	1	SA	
RR02	2007-001306	R-CHIP;150ohm,5%,1/16W,TP,1005	1	SA	
RR03	2007-001307	R-CHIP;180ohm,5%,1/16W,TP,1005	1	SA	
RR04	2007-000138	R-CHIP;100ohm,5%,1/16W,TP,1005	1	SA	
SWR01	3404-001362	SWITCH-TACT;16VDC,50mA,160gf,6.	1	SA	
SWR02	3404-001347	SWITCH-TACT;15,20mA,160gf,4.5x4	1	SA	

Loc.No	Part No	Description : Specification	Q'ty	S.N.A	Remark
<b>PHOTO FPC</b>					
<b>F002</b>	<b>AD97-17519A</b>	<b>ASSY FPC-PHOTO-K40-PJ,SMX-K40,P</b>	<b>1</b>	<b>SA</b>	
	3404-001216	SWITCH-TACT;12V DC,20mA,160gf,4	1	SA	
	3708-002439	CONNECTOR-FPC/FFC/PIC;6P,0.5mm,	1	SA	

Loc.No	Part No	Description : Specification	Q'ty	S.N.A	Remark
<b>TERMINAL FPC</b>					
<b>F001</b>	<b>AD97-17518A</b>	<b>ASSY FPC-TERMINAL-K40-PJ,SMX-K4</b>	<b>1</b>	<b>SA</b>	
	3711-006003	CONNECTOR-BATTERY;NOWALL,3P,1R,	1	SA	

Loc.No	Part No	Description : Specification	Q'ty	S.N.A	Remark
<b>Accessory</b>					
VS062	3301-001502	CORE-FERRITE;16.5x7x30mm	1	SA	
	AD39-00168A	AV OUT CABLE;C10,5p,av 3f cable,	1	SA	
	AD39-00169A	USB CABLE;SMX-C10,4P-5P,1200mm,0	1	SA	
	AD43-00190A	BATTERY-PACK;IA-BH130LB,ICP66345	1	SA	
	AD44-00150A	ADAPTOR-AA-MA9/EUR,EUROPE,CP2,AC	1	SA	
	AD46-00258A	SOFTWARE PACK-IB;IB,1,PAL,1,CD-R	1	SA	

Loc.No	Part No	Description : Specification	Q'ty	S.N.A	Remark
<b>Additional Part List</b>					
C1114	AD61-03704A	TRIPOD-INSERT;MX20,Brass+Ni,UNI	1	SA	
W127	6003-001292	SCREW-TAPTTYPE;CH(0.3),+B,M1.7,	3	SA	
W127	6003-001292	SCREW-TAPTTYPE;CH(0.3),+B,M1.7,	2	SA	
W127	6003-001292	SCREW-TAPTTYPE;CH(0.3),+B,M1.7,	4	SA	
W127	6003-001292	SCREW-TAPTTYPE;CH(0.3),+B,M1.7,	7	SA	
W206	6001-001373	SCREW-MACHINE;PH,T0.5,+M1.7,L3	2	SA	
W206	6001-001373	SCREW-MACHINE;PH,T0.5,+M1.7,L3	5	SA	
W281	6001-001508	SCREW-MACHINE;CH(0.5),+M1.7,L5	9	SA	
W281	6001-001508	SCREW-MACHINE;CH(0.5),+M1.7,L5	2	SA	
W298	6003-001508	SCREW-TAPTTYPE;PH,+B,M1.4,L3,NI	1	SA	
W300	6003-001503	SCREW-TAPTTYPE;PH,+B,M1.4,L5,ZP	3	SA	
W300	6003-001503	SCREW-TAPTTYPE;PH,+B,M1.4,L5,ZP	4	SA	
W313	6001-001510	SCREW-MACHINE;CH,+M1.7,L2.5,NI	2	SA	
W371	6003-001453	SCREW-TAPTTYPE;BH,+B,M1.7,L4,ZP	4	SA	
W371	6003-001453	SCREW-TAPTTYPE;BH,+B,M1.7,L4,ZP	2	SA	
W371	6003-001453	SCREW-TAPTTYPE;BH,+B,M1.7,L4,ZP	1	SA	
W371	6003-001453	SCREW-TAPTTYPE;BH,+B,M1.7,L4,ZP	2	SA	
W398	6003-001300	SCREW-TAPTTYPE;CH,+B,M1.7,L4,ZP	3	SA	
W421	6003-001434	SCREW-TAPTTYPE;CH,+B,M1.7,L9,ZP	2	SA	
W422	6003-001746	SCREW-TAPTTYPE;PH,+B,M1.7,L8,PA	1	SA	