

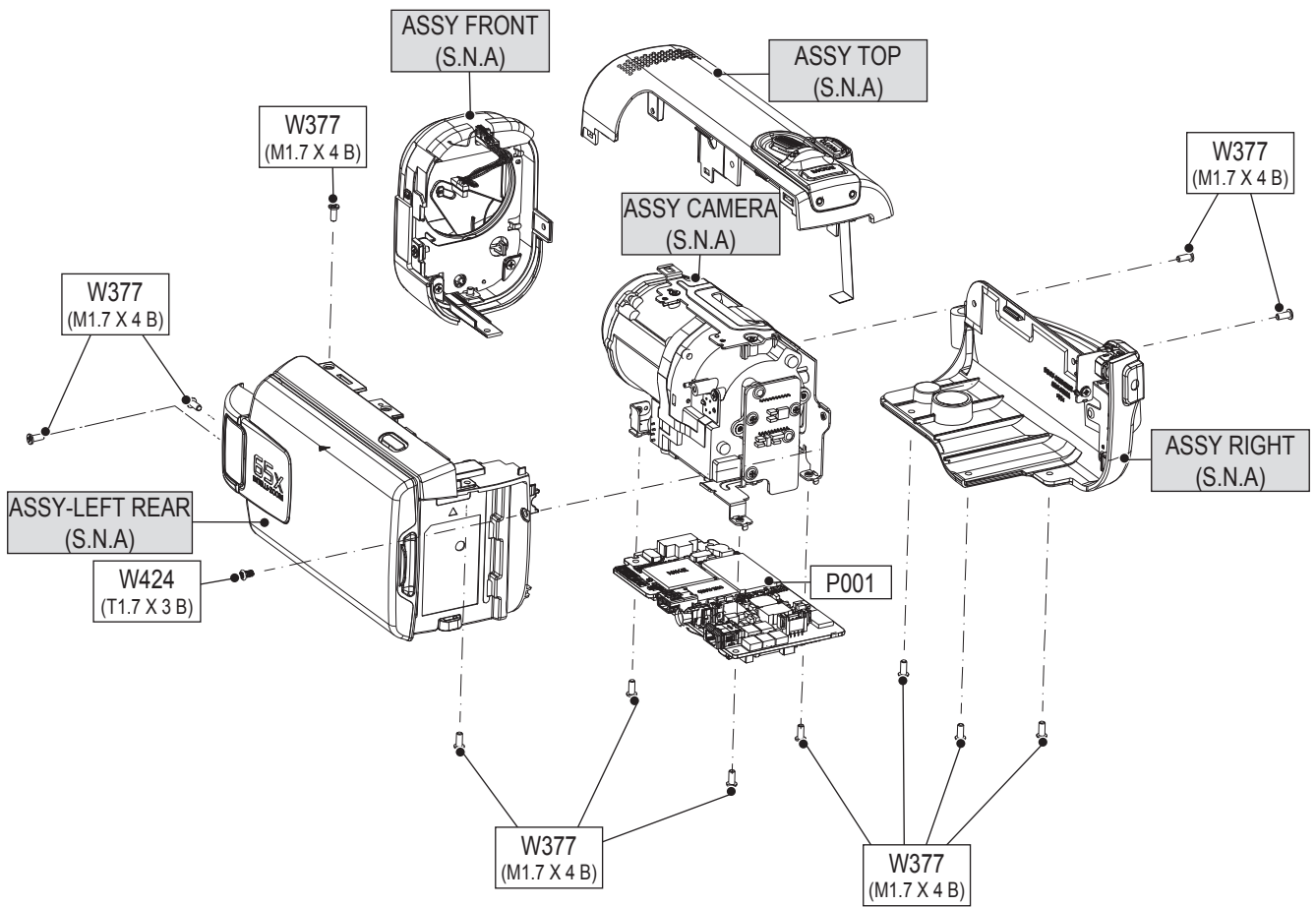
---

## 5. Exploded View and Parts List

---

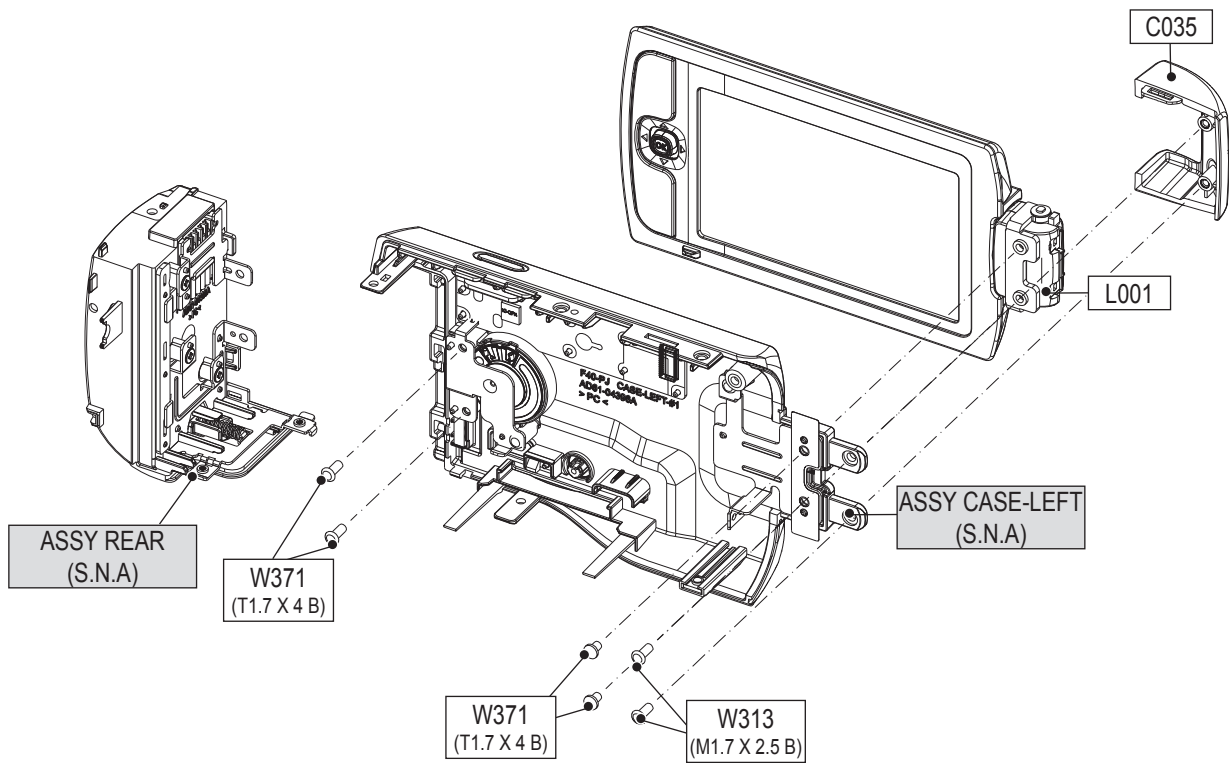
<b>5-1 Ass'y Chassis</b>	<b>5-2</b>
<b>5-2 Ass'y Left</b>	<b>5-4</b>
<b>5-3 Ass'y case left</b>	<b>5-5</b>
<b>5-4 Ass'y LCD</b>	<b>5-6</b>
<b>5-5 Ass'y Right</b>	<b>5-8</b>
<b>5-6 Ass'y Top</b>	<b>5-9</b>
<b>5-7 Ass'y Camera</b>	<b>5-10</b>
<b>5-8 Ass'y Rear</b>	<b>5-11</b>
<b>5-9 Ass'y Front</b>	<b>5-12</b>
<b>5-10 Electrical Parts List</b>	<b>5-13</b>

## 5-1 Ass'y Chassis



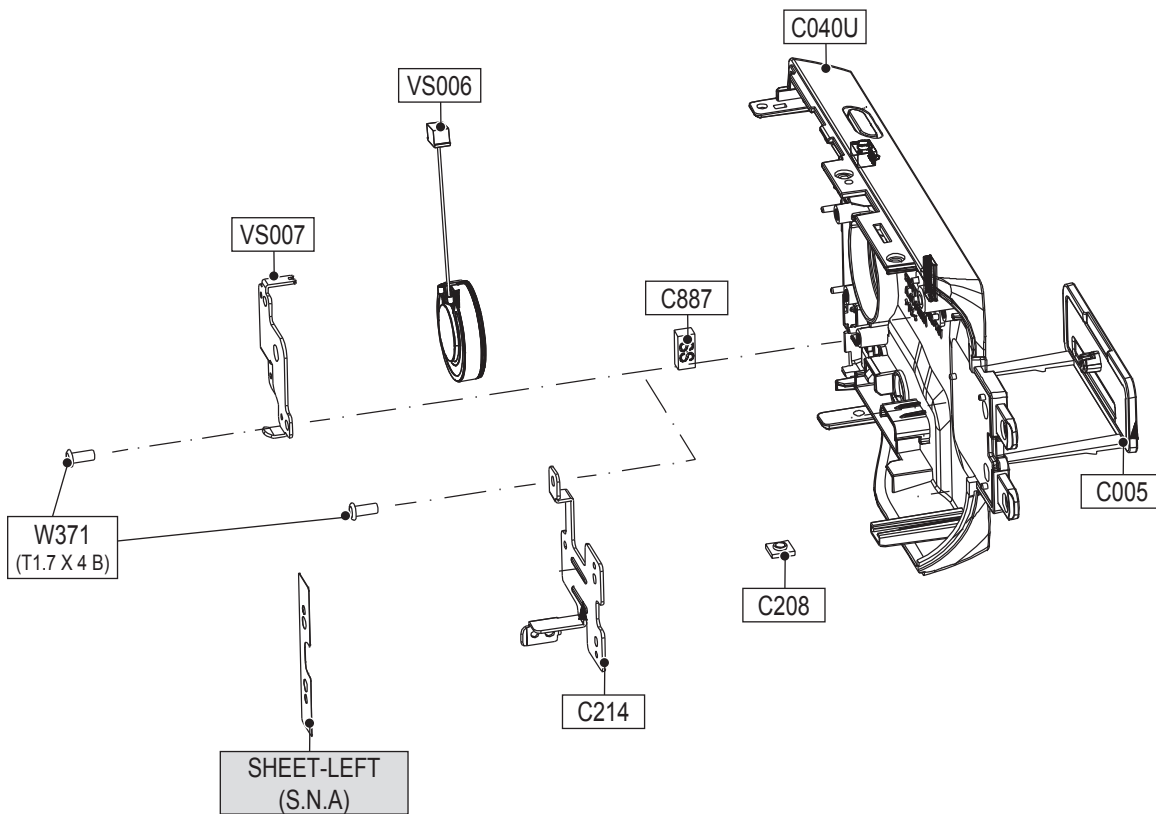
Loc. No	Parts No.	Description ; Specification	Q ty	SA	Remark
P001	AD92-00981C	ASSY PCB MAIN;F40,SMX-F40/XEU,PAL	1	SA	
W377	6001-001291	SCREW-MACHINE;CH(0.5),*,-,M1.7,L4	12	SA	
W424	6003-001637	SCREW-TAPTYPE;PH,M1.7,+,L3,B,ZPC(	1	SA	

## 5-2 Ass'y Left



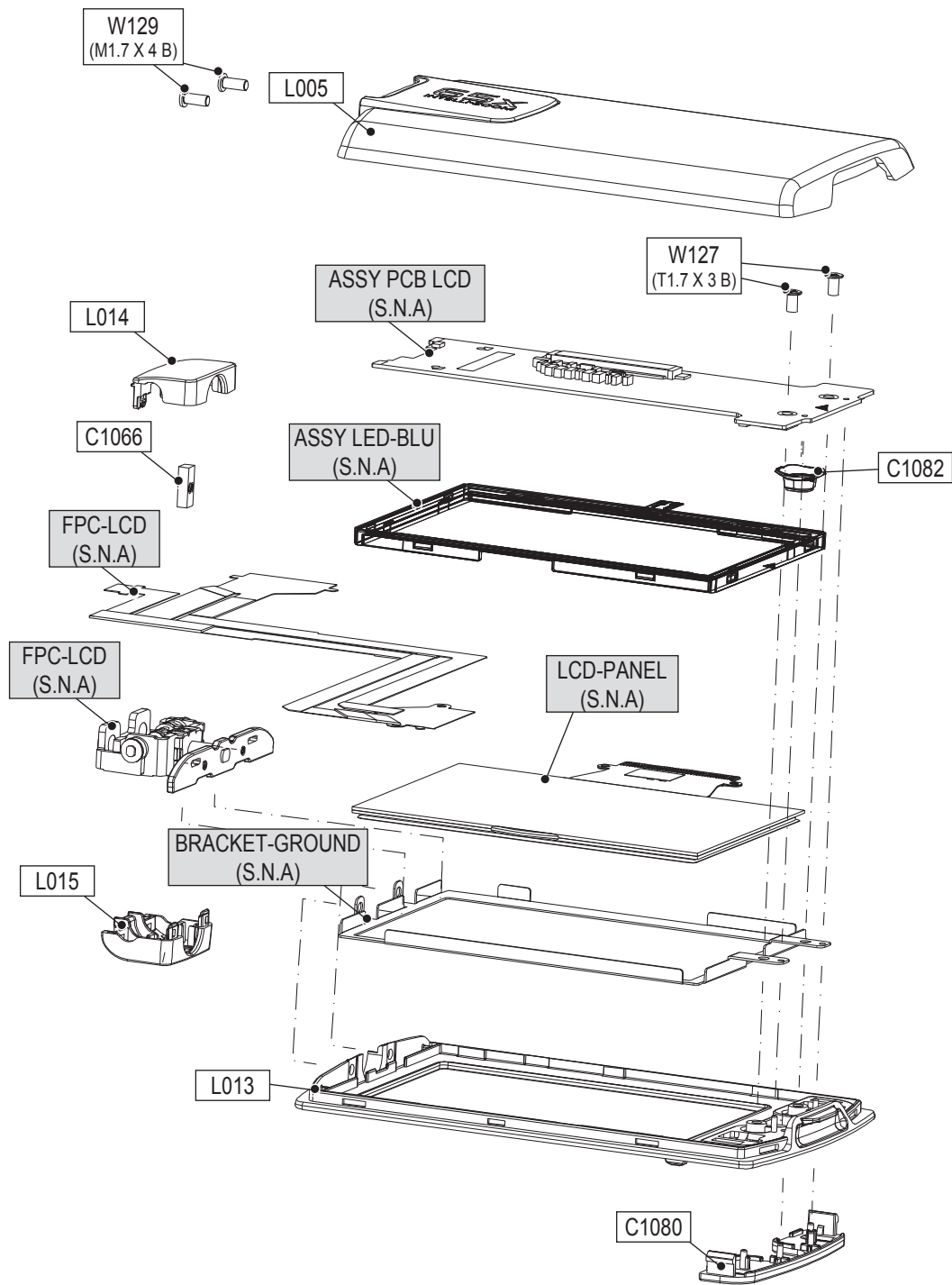
Loc. No	Parts No.	Description ; Specification	Q ty	SA	Remark
C035	AD63-04579A	COVER-LEFT;SMX-F40,ABS,12.9,20.2,	1	SA	
L001	AD97-18198A	ASSY LCD;F40,SMX-F40B,Midnight BI	1	SA	
W313	6001-001510	SCREW-MACHINE;CH,+,M1.7,L2.5,NI P	2	SA	
W371	6003-001453	SCREW-TAPTYPE;BH,+,B,M1.7,L4,ZPC(	4	SA	

## 5-3 Ass'y case left



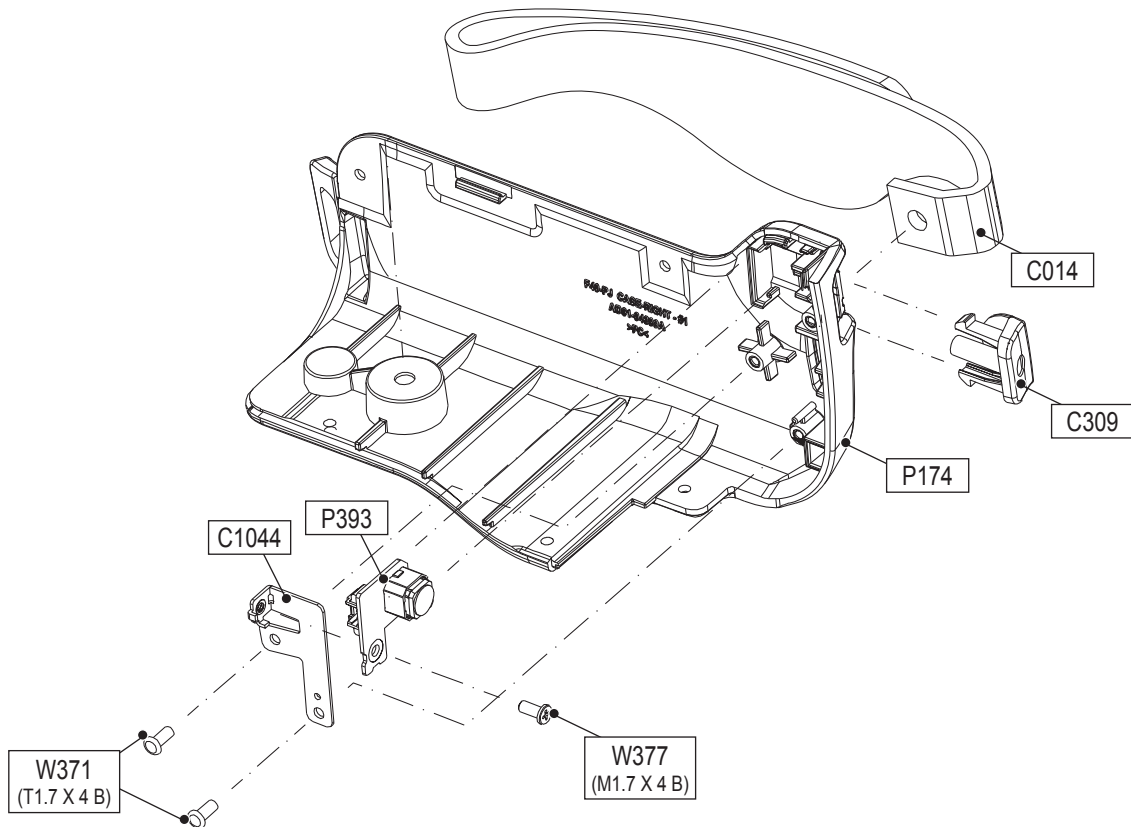
Loc. No	Parts No.	Description ; Specification	Q ty	SA	Remark
C005	AD63-05003A	COVER-DOOR;SMX-F40,PC,2,13.8,40	1	SA	
C040U	AD97-18880A	ASSY-UNIT CASE LEFT;ASSY,SMX-F40,-	1	SA	
C208	AD61-12033A	BRACKET-NUT;SV-D10,SECC,T0.8	1	SA	
C214	AD61-04401A	BRACKET-GROUND-LCD;SMX-F40,SUS304	1	SA	
C887	AD61-02519A	MAGNET-SENSOR;SPIDER X2-PJ,MAGNET	1	SA	
VS006	AD97-18175A	ASSY SPEAKER;ASSY SPEAKER,K30-PJ,	1	SA	
VS007	AD61-04681A	BRACKET-SPEAKER;SMX-F40,SUS 301,T0	1	SA	
W371	6003-001453	SCREW-TAPTYPE;BH,+,B,M1.7,L4,ZPC(	2	SA	

### 5-4 Ass'y LCD



Loc. No	Parts No.	Description ; Specification	Q ty	SA	Remark
C1066	AD61-04473A	MAGNET-LCD;H200,N45M,T1.8,W2.3,L6	1	SA	
C1080	AD64-02771A	BUTTON-LCD MENU;SMX-F40,PC,9.7*42	1	SA	
C1082	AD64-02461A	KNOB-JOY LCD;DX210,PC,T2.0,W7.7,L	1	SA	
L005	AD97-18878A	ASSY CASE-LCD TOP;ASSY,SMX-F40,-,-	1	SA	
L013	AD61-04397A	CASE-LCD BOTTOM;SMX-F40,PC,5.9,50	1	SA	
L014	AD63-04583A	COVER-HINGE TOP;SMX-F40,ABS,6.8,1	1	SA	
L015	AD63-04584A	COVER-HINGE BOTTOM;SMX-F40,ABS,6.	1	SA	
W127	6003-001292	SCREW-TAPTTYPE;CH(0.3),+,B,M1.7,L3	3	SA	
W129	6001-001719	SCREW-MACHINE;CH,+,M1.7,L4,NI PLT	2	SA	

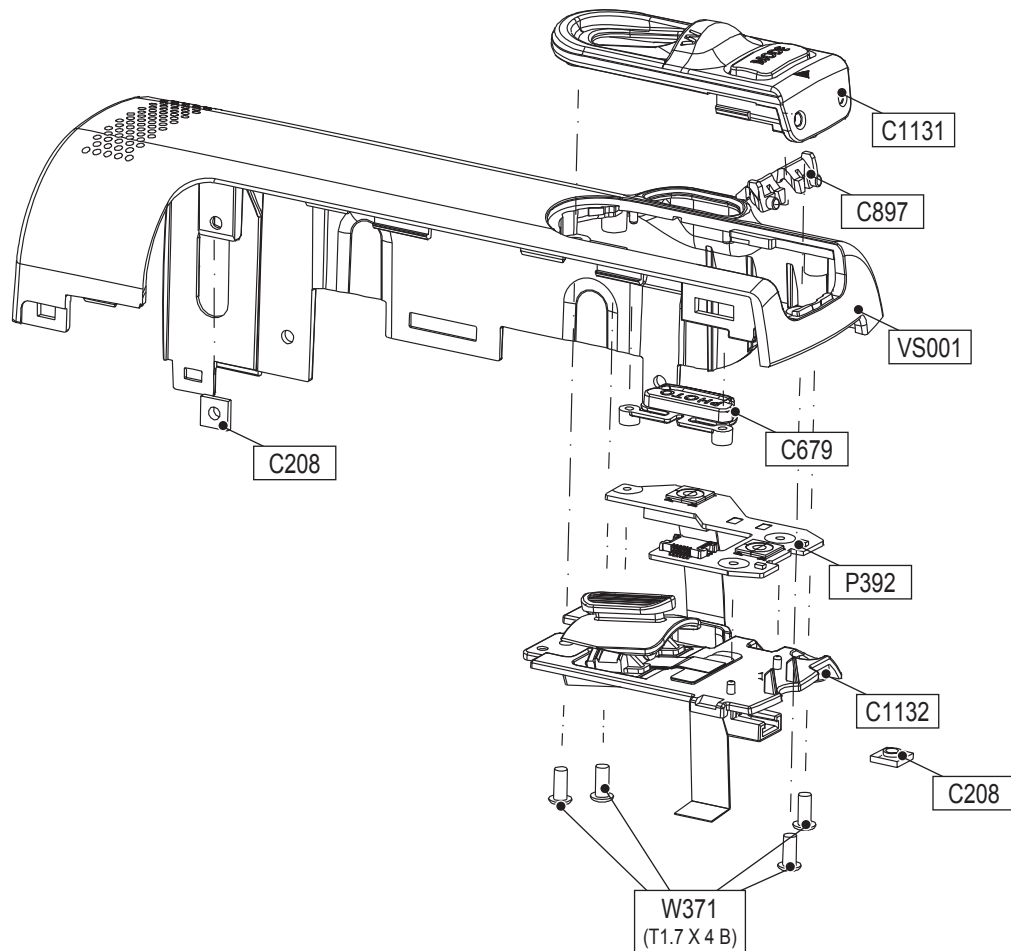
## 5-5 Ass'y Right



Loc. No	Parts No.	Description ; Specification	Q ty	SA	Remark
C014	AD97-18291A	ASSY BELT-GRIP;F40,SMX-F40,BLACK	1	SA	
C1044	AD61-04408A	BRACKET-RIGHT JOINT;SMX-F40,SUS30	1	SA	
C309	AD64-02772A	BUTTON-REC;SMX-F40,PC,11.3*11*7.1	1	SA	
P174	AD97-18992A	ASSY-UNIT CASE RIGHT;ASSY,SMX-F40	1	SA	
P393	AD92-00995A	ASSY PCB SUB-REC;F40,SMX-F40,NTSC	1	SA	
W371	6003-001453	SCREW-TAPTTYPE;BH,+,B,M1.7,L4,ZPC(	2	SA	
W377	6001-001291	SCREW-MACHINE;CH(0.5),*,-,M1.7,L4	1	SA	

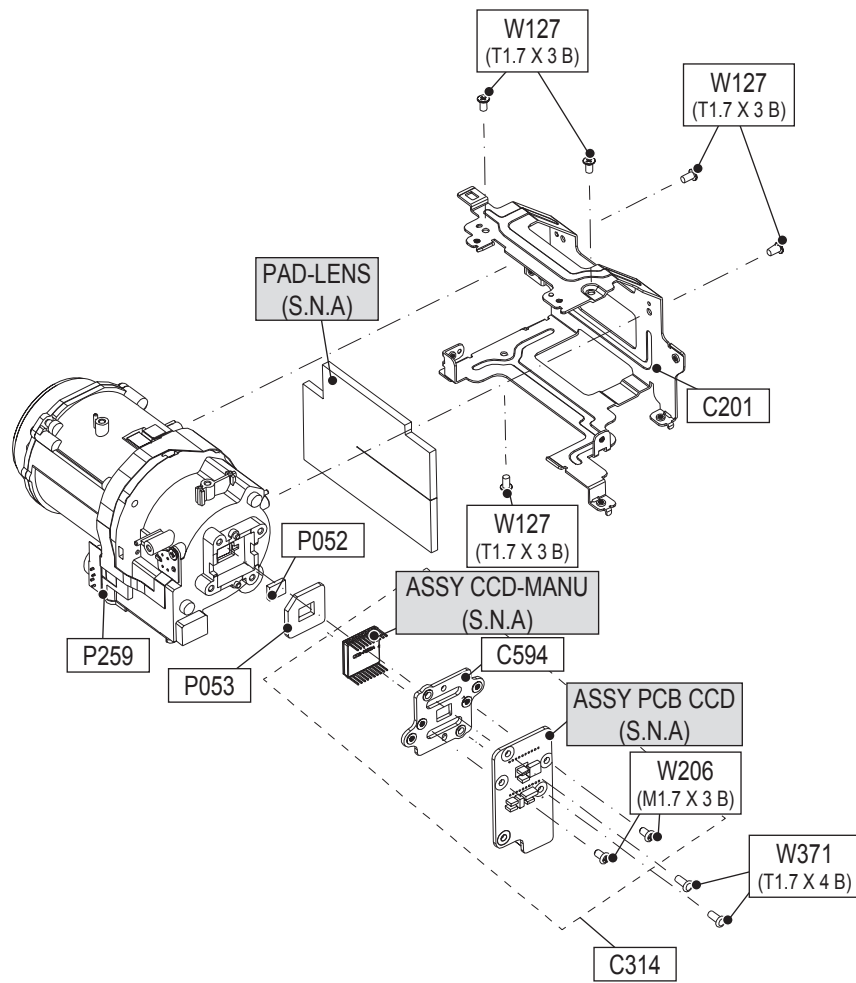


## 5-6 Ass'y Top



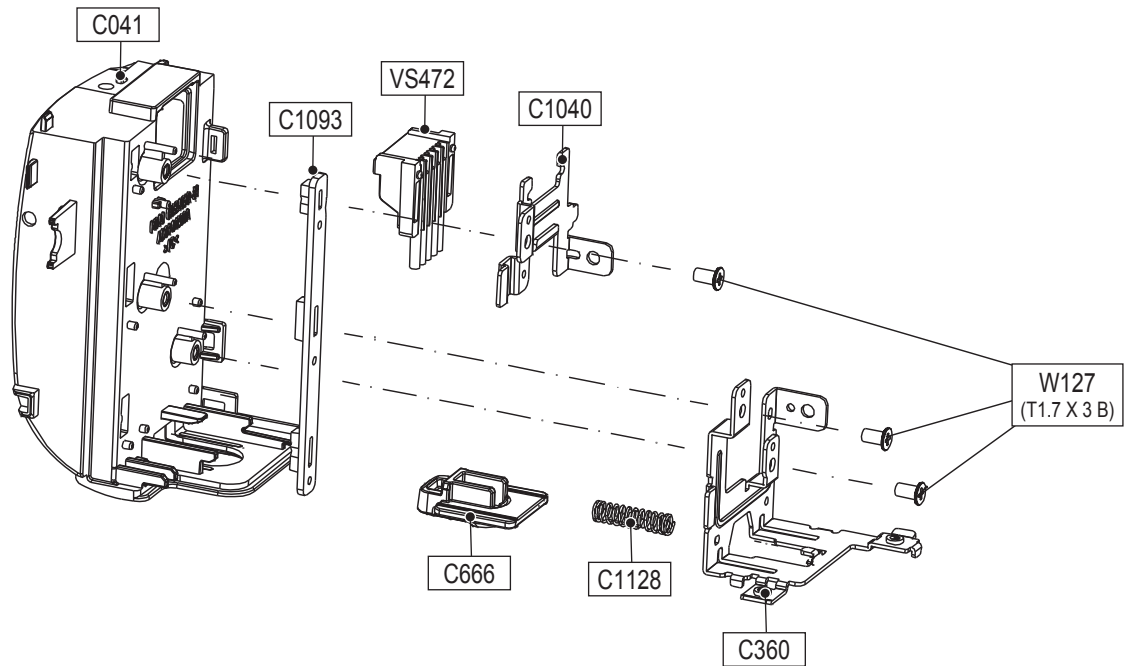
Loc. No	Parts No.	Description ; Specification	Q ty	SA	Remark
C1131	AD97-18879A	ASSY COVER-ZOOM TOP;ASSY,SMX-F40,-	1	SA	
C1132	AD97-18925A	ASSY-INNER TOP;ASSY,SMX-F40	1	SA	
C208	AD61-12033A	BRACKET-NUT;SV-D10,SECC,T0.8	1	SA	
C679	AD64-02769A	BUTTON-PHOTO;SMX-F40,ABS+PC,16.5*	1	SA	
C897	AD64-02776A	INDICATOR-MODE;SMX-F40,PMMA,T2.7,	1	SA	
P392	AD92-00994A	ASSY PCB SUB-TOP;F40,SMX-F40,NTSC	1	SA	
VS001	AD61-04370A	CASE-TOP;SMX-F40,PC,40.3,42.5,105,BLACK	1	SA	
W371	6003-001453	SCREW-TAPTYPE;BH,+,B,M1.7,L4,ZPC(	4	SA	

## 5-7 Ass'y Camera



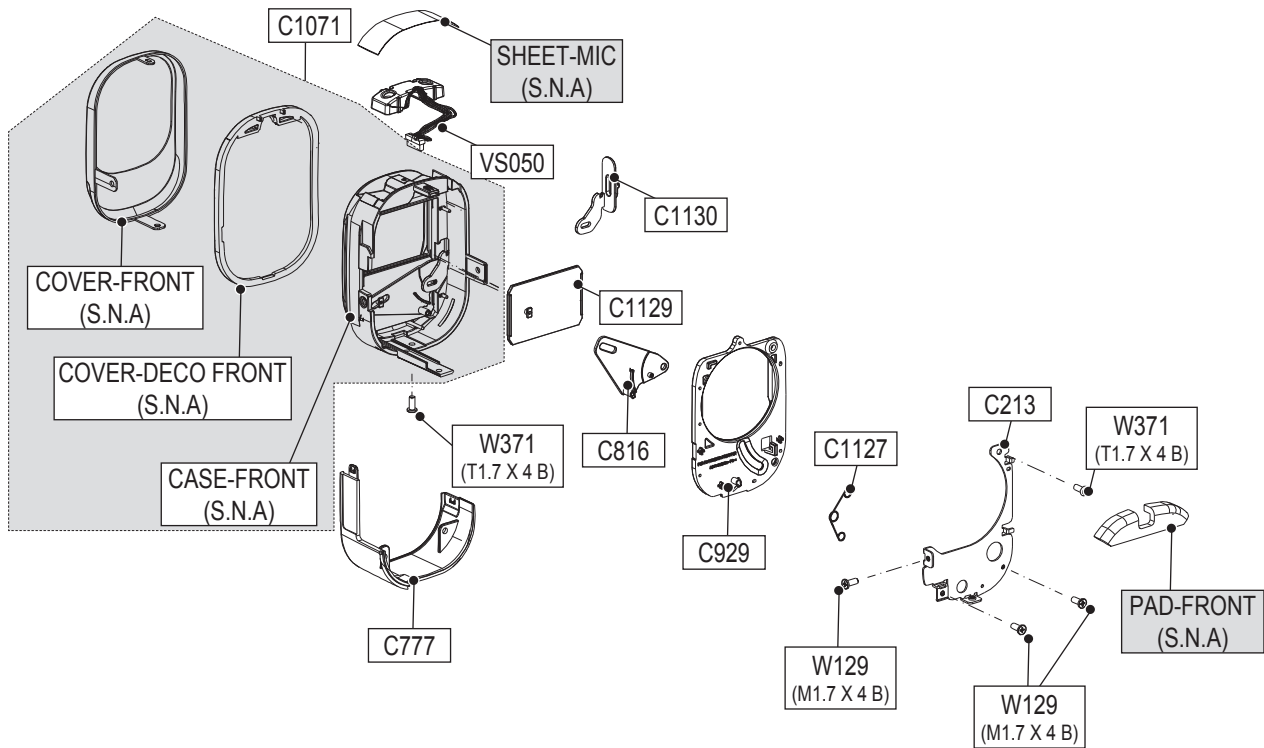
Loc. No	Parts No.	Description ; Specification	Q ty	SA	Remark
C201	AD61-04400A	BRACKET-LENS;SMX-F40,SUS 304,T0.5	1	SA	
C314	AD97-18204A	ASSY CCD;F40,SMX-F40,PAL	1	SA	
C594	AD61-02368A	PLATE-CCD;DRAGON2-PJ,AL,T1,W21,L2	1	SA	
P052	AD67-01651A	LENS FILTER-OLPF F40;F40,CD-5000,B	1	SA	
P053	AD60-00073A	SPACER-CCD;CP-DX210,TPS,L11.5,BLK,T1.02,	1	SA	
P259	AD97-18638A	ASSY LENS-F40;DVC,F40,52X ZOOM,IR	1	SA	
W127	6003-001292	SCREW-TAPTTYPE;CH(0.3),+,B,M1.7,L3	5	SA	
W206	6001-001373	SCREW-MACHINE;PH,T0.5,+,M1.7,L3.0	1	SA	
W371	6003-001453	SCREW-TAPTTYPE;BH,+,B,M1.7,L4,ZPC(	2	SA	

## 5-8 Ass'y Rear



Loc. No	Parts No.	Description ; Specification	Q ty	SA	Remark
C041	AD61-04398A	CASE-REAR;SMX-F40,PC,28.5,37.8,50	1	SA	
C1040	AD61-04407A	BRACKET-GROUND REAR;SMX-F40,SUS30	1	SA	
C1093	AD63-04585A	COVER-BATTERY;SMX-F40,PC,2.4,3.8,	1	SA	
C1128	AD61-04392A	SPRING ETC-BATT RELEASE;H200,STAI	1	SA	
C360	AD61-04406A	BRACKET-REAR;SMX-F40,SUS304,T0.5,	1	SA	
C666	AD64-02775A	KNOB-BATTERY RELEASE;SMX-F40,PC,T	1	SA	
VS472	AD39-00176A	WIRE HARNESS-BATTERY;F40-PJ,UL1571	1	SA	
W127	6003-001292	SCREW-TAPTYPE;CH(0.3),+,B,M1.7,L3	3	SA	

### 5-9 Ass'y Front



Loc. No	Parts No.	Description ; Specification	Q ty	SA	Remark
C1071	AD97-18961A	ASSY FRONT-DUMMY;ASSY,SMX-F40	1	SA	
C1127	AD61-02916A	SPRING ETC-BLADE;SC-DX10,SUS304,PI	1	SA	
C1129	AD63-04578A	COVER-LENS;SMX-F40,PC,1.2,18.9,28	1	SA	
C1130	AD64-02774A	KNOB-COVER LENS;SMX-F40,PC,T3.3,W1	1	SA	
C213	AD61-04409A	BRACKET-FRONT;SMX-F40,SUS301,T0.5,	1	SA	
C777	AD63-04580A	COVER-BOTTOM;SMX-F40B,PC,20.2,38.3,41.2,BLACK	1	SA	
C816	AD61-04411A	HOLDER-ROTATION;SMX-F40,PC,3.4,20.	1	SA	
C929	AD61-04410A	HOLDER-FRONT;SMX-F40,PC,5.7,34.6,5	1	SA	
VS050	AD97-18174A	ASSY MIC;F40,SMX_F40,STEREO MIC,35	1	SA	
W129	6001-001719	SCREW-MACHINE;CH,+,M1.7,L4,NI PLT,	1	SA	
W371	6003-001453	SCREW-TAPTYPE;BH,+,B,M1.7,L4,ZPC(B	4	SA	

### 5-10 Electrical Parts List

Loc.No	Part No	Description : Specification	Q'ty (S.N.A)	Remark	Loc.No	Part No	Description : Specification	Q'ty (S.N.A)	Remark
<b>ASSY PCB MAIN</b>					CD10	2203-000233	C-CER,CHIP;0.1nF,5%,50V,COG,TP,1	1	SA
<b>PO01 AD92-00981C</b>	<b>ASSY PCB MAIN-F40,SMX-F40/KEU.PAL</b>		<b>1</b>	<b>SA</b>	CD11	2203-000233	C-CER,CHIP;0.1nF,5%,50V,COG,TP,1	1	SA
BD10	3301-001810	BEAD-SMD;240ohm,1005,TP,175ohm/1	1	SA	CD12	2203-000233	C-CER,CHIP;0.1nF,5%,50V,COG,TP,1	1	SA
BD11	3301-001810	BEAD-SMD;240ohm,1005,TP,175ohm/1	1	SA	CD121	2203-006048	C-CER,CHIP;100nF,10%,10V,X7R,TP,	1	SA
BD12	3301-001810	BEAD-SMD;240ohm,1005,TP,175ohm/1	1	SA	CD124	2203-000254	C-CER,CHIP;10nF,10%,16V,X7R,TP,1	1	SA
BD13	3301-001810	BEAD-SMD;240ohm,1005,TP,175ohm/1	1	SA	CD13	2203-000233	C-CER,CHIP;0.1nF,5%,50V,COG,TP,1	1	SA
BD14	3301-001810	BEAD-SMD;240ohm,1005,TP,175ohm/1	1	SA	CD14	2203-000233	C-CER,CHIP;0.1nF,5%,50V,COG,TP,1	1	SA
BD15	3301-001810	BEAD-SMD;240ohm,1005,TP,175ohm/1	1	SA	CD15	2203-000233	C-CER,CHIP;0.1nF,5%,50V,COG,TP,1	1	SA
BD16	3301-001810	BEAD-SMD;240ohm,1005,TP,175ohm/1	1	SA	CD151	2203-006048	C-CER,CHIP;100nF,10%,10V,X7R,TP,	1	SA
BD17	3301-001810	BEAD-SMD;240ohm,1005,TP,175ohm/1	1	SA	CD16	2203-000233	C-CER,CHIP;0.1nF,5%,50V,COG,TP,1	1	SA
BD18	3301-001810	BEAD-SMD;240ohm,1005,TP,175ohm/1	1	SA	CD17	2203-000233	C-CER,CHIP;0.1nF,5%,50V,COG,TP,1	1	SA
BD19	3301-001810	BEAD-SMD;240ohm,1005,TP,175ohm/1	1	SA	CD18	2203-000233	C-CER,CHIP;0.1nF,5%,50V,COG,TP,1	1	SA
BD20	3301-001810	BEAD-SMD;240ohm,1005,TP,175ohm/1	1	SA	CD180	2203-006048	C-CER,CHIP;100nF,10%,10V,X7R,TP,	1	SA
CA01	2203-006048	C-CER,CHIP;100nF,10%,10V,X7R,TP,	1	SA	CD19	2203-006562	C-CER,CHIP;1000nF,10%,10V,X5R,TP	1	SA
CA02	2203-006048	C-CER,CHIP;100nF,10%,10V,X7R,TP,	1	SA	CD21	2203-006048	C-CER,CHIP;100nF,10%,10V,X7R,TP,	1	SA
CA03	2203-006361	C-CER,CHIP;1000nF,10%,10V,X5R,T	1	SC	CD22	2203-006474	C-CER,CHIP;2200nF,20%,6.3V,X5R,	1	SA
CA04	2203-006048	C-CER,CHIP;100nF,10%,10V,X7R,TP,	1	SA	CD25	2203-006048	C-CER,CHIP;100nF,10%,10V,X7R,TP,	1	SA
CA05	2203-006361	C-CER,CHIP;1000nF,10%,10V,X5R,T	1	SC	CD26	2203-006474	C-CER,CHIP;2200nF,20%,6.3V,X5R,	1	SA
CA06	2203-006048	C-CER,CHIP;100nF,10%,10V,X7R,TP,	1	SA	CD27	2203-006048	C-CER,CHIP;100nF,10%,10V,X7R,TP,	1	SA
CA07	2203-006048	C-CER,CHIP;100nF,10%,10V,X7R,TP,	1	SA	CD28	2203-006474	C-CER,CHIP;2200nF,20%,6.3V,X5R,	1	SA
CA08	2203-006048	C-CER,CHIP;100nF,10%,10V,X7R,TP,	1	SA	CD29	2203-006048	C-CER,CHIP;100nF,10%,10V,X7R,TP,	1	SA
CA10	2203-005065	C-CER,CHIP;1000nF,+80-20%,10V,Y5	1	SA	CD30	2203-006474	C-CER,CHIP;2200nF,20%,6.3V,X5R,	1	SA
CA11	2203-005065	C-CER,CHIP;1000nF,+80-20%,10V,Y5	1	SA	CD33	2203-006048	C-CER,CHIP;100nF,10%,10V,X7R,TP,	1	SA
CA12	2203-005065	C-CER,CHIP;1000nF,+80-20%,10V,Y5	1	SA	CD34	2203-006474	C-CER,CHIP;2200nF,20%,6.3V,X5R,	1	SA
CA13	2203-005065	C-CER,CHIP;1000nF,+80-20%,10V,Y5	1	SA	CD35	2203-002793	C-CER,CHIP;1000nF,+80-20%,25V,Y5	1	SA
CA14	2203-002487	C-CER,CHIP;4.7nF,10%,25V,X7R,TP,	1	SA	CD45	2203-006048	C-CER,CHIP;100nF,10%,10V,X7R,TP,	1	SA
CA15	2203-002487	C-CER,CHIP;4.7nF,10%,25V,X7R,TP,	1	SA	CD46	2203-006048	C-CER,CHIP;100nF,10%,10V,X7R,TP,	1	SA
CA16	2203-006361	C-CER,CHIP;1000nF,10%,10V,X5R,T	1	SC	CD47	2203-000254	C-CER,CHIP;10nF,10%,16V,X7R,TP,1	1	SA
CA17	2203-005065	C-CER,CHIP;1000nF,+80-20%,10V,Y5	1	SA	CD48	2203-000254	C-CER,CHIP;10nF,10%,16V,X7R,TP,1	1	SA
CA18	2203-005065	C-CER,CHIP;1000nF,+80-20%,10V,Y5	1	SA	CD49	2203-000254	C-CER,CHIP;10nF,10%,16V,X7R,TP,1	1	SA
CA19	2203-005065	C-CER,CHIP;1000nF,+80-20%,10V,Y5	1	SA	CD51	2203-000254	C-CER,CHIP;10nF,10%,16V,X7R,TP,1	1	SA
CA20	2203-005065	C-CER,CHIP;1000nF,+80-20%,10V,Y5	1	SA	CD53	2203-000254	C-CER,CHIP;10nF,10%,16V,X7R,TP,1	1	SA
CA21	2203-005065	C-CER,CHIP;1000nF,+80-20%,10V,Y5	1	SA	CD54	2203-000254	C-CER,CHIP;10nF,10%,16V,X7R,TP,1	1	SA
CA22	2203-000359	C-CER,CHIP;0.15nF,5%,50V,COG,TP,	1	SA	CD61	2203-000386	C-CER,CHIP;.015nF,5%,50V,COG,TP,	1	SA
CA23	2203-000359	C-CER,CHIP;0.15nF,5%,50V,COG,TP,	1	SA	CD62	2203-000386	C-CER,CHIP;.015nF,5%,50V,COG,TP,	1	SA
CA31	2203-006048	C-CER,CHIP;100nF,10%,10V,X7R,TP,	1	SA	CD63	2203-006048	C-CER,CHIP;100nF,10%,10V,X7R,TP,	1	SA
CCH01	2203-006361	C-CER,CHIP;1000nF,10%,10V,X5R,T	1	SC	CD64	2203-006048	C-CER,CHIP;100nF,10%,10V,X7R,TP,	1	SA
CCH02	2203-000254	C-CER,CHIP;10nF,10%,16V,X7R,TP,1	1	SA	CD65	2203-000386	C-CER,CHIP;.015nF,5%,50V,COG,TP,	1	SA
CCH03	2203-006048	C-CER,CHIP;100nF,10%,10V,X7R,TP,	1	SA	CD66	2203-005055	C-CER,CHIP;0.0056nF,0.25pF,50V,N	1	SA
CCH04	2203-006361	C-CER,CHIP;1000nF,10%,10V,X5R,T	1	SC	CD67	2203-006048	C-CER,CHIP;100nF,10%,10V,X7R,TP,	1	SA
CCH05	2203-006361	C-CER,CHIP;1000nF,10%,10V,X5R,T	1	SC	CD68	2203-006048	C-CER,CHIP;100nF,10%,10V,X7R,TP,	1	SA
CCH06	2203-006361	C-CER,CHIP;1000nF,10%,10V,X5R,T	1	SC	CD69	2203-006048	C-CER,CHIP;100nF,10%,10V,X7R,TP,	1	SA
CCH07	2203-006048	C-CER,CHIP;100nF,10%,10V,X7R,TP,	1	SA	CD70	2203-006048	C-CER,CHIP;100nF,10%,10V,X7R,TP,	1	SA
CCH10	2203-005065	C-CER,CHIP;1000nF,+80-20%,10V,Y5	1	SA	CD71	2203-006048	C-CER,CHIP;100nF,10%,10V,X7R,TP,	1	SA
CCH12	2203-005065	C-CER,CHIP;1000nF,+80-20%,10V,Y5	1	SA	CD72	2203-006048	C-CER,CHIP;100nF,10%,10V,X7R,TP,	1	SA
CCH15	2203-006048	C-CER,CHIP;100nF,10%,10V,X7R,TP,	1	SA	CD73	2203-006048	C-CER,CHIP;100nF,10%,10V,X7R,TP,	1	SA
CCH16	2203-006048	C-CER,CHIP;100nF,10%,10V,X7R,TP,	1	SA	CD74	2203-006048	C-CER,CHIP;100nF,10%,10V,X7R,TP,	1	SA
CCH17	2203-006048	C-CER,CHIP;100nF,10%,10V,X7R,TP,	1	SA	CD75	2203-006048	C-CER,CHIP;100nF,10%,10V,X7R,TP,	1	SA
CCH21	2203-002709	C-CER,CHIP;100nF,+80-20%,16V,Y5V	1	SA	CD76	2203-006048	C-CER,CHIP;100nF,10%,10V,X7R,TP,	1	SA
CD01	2203-005055	C-CER,CHIP;0.0056nF,0.25pF,50V,N	1	SA	CD77	2203-006048	C-CER,CHIP;100nF,10%,10V,X7R,TP,	1	SA
CD02	2203-005055	C-CER,CHIP;0.0056nF,0.25pF,50V,N	1	SA	CD78	2203-006048	C-CER,CHIP;100nF,10%,10V,X7R,TP,	1	SA
CD03	2203-005055	C-CER,CHIP;0.0056nF,0.25pF,50V,N	1	SA	CD79	2203-006048	C-CER,CHIP;100nF,10%,10V,X7R,TP,	1	SA
CD04	2203-005055	C-CER,CHIP;0.0056nF,0.25pF,50V,N	1	SA	CD80	2203-006048	C-CER,CHIP;100nF,10%,10V,X7R,TP,	1	SA
CD05	2203-005055	C-CER,CHIP;0.0056nF,0.25pF,50V,N	1	SA	CD81	2203-006048	C-CER,CHIP;100nF,10%,10V,X7R,TP,	1	SA
CD06	2203-005055	C-CER,CHIP;0.0056nF,0.25pF,50V,N	1	SA	CD82	2203-006048	C-CER,CHIP;100nF,10%,10V,X7R,TP,	1	SA
CD07	2203-005055	C-CER,CHIP;0.0056nF,0.25pF,50V,N	1	SA	CD83	2203-006048	C-CER,CHIP;100nF,10%,10V,X7R,TP,	1	SA
CD08	2203-000233	C-CER,CHIP;0.1nF,5%,50V,COG,TP,1	1	SA	CD84	2203-006048	C-CER,CHIP;100nF,10%,10V,X7R,TP,	1	SA
CD09	2203-000233	C-CER,CHIP;0.1nF,5%,50V,COG,TP,1	1	SA	CD85	2203-006048	C-CER,CHIP;100nF,10%,10V,X7R,TP,	1	SA
					CD86	2203-006048	C-CER,CHIP;100nF,10%,10V,X7R,TP,	1	SA

## Exploded Views and Parts List

Loc.No	Part No	Description : Specification	Q'ty	S.N.A	Remark	Loc.No	Part No	Description : Specification	Q'ty	S.N.A	Remark
CD87	2203-006048	C-CER,CHIP;100nF,10%,10V,X7R,TP,	1	SA		CZ04	2203-005065	C-CER,CHIP;1000nF,+80-20%,10V,Y5	1	SA	
CD88	2203-006048	C-CER,CHIP;100nF,10%,10V,X7R,TP,	1	SA		CZ05	2203-006048	C-CER,CHIP;100nF,10%,10V,X7R,TP,	1	SA	
CM01	2203-000254	C-CER,CHIP;10nF,10%,16V,X7R,TP,1	1	SA		CZ06	2203-006562	C-CER,CHIP;1000nF,10%,10V,X5R,TP	1	SA	
CM02	2203-006048	C-CER,CHIP;100nF,10%,10V,X7R,TP,	1	SA		CZ07	2203-006048	C-CER,CHIP;100nF,10%,10V,X7R,TP,	1	SA	
CM03	2203-006048	C-CER,CHIP;100nF,10%,10V,X7R,TP,	1	SA		CZ09	2203-000438	C-CER,CHIP;1nF,10%,50V,X7R,TP,10	1	SA	
CM21	2203-006361	C-CER,CHIP;10000nF,10%,10V,X5R,T	1	SC		CZ10	2203-001432	C-CER,CHIP;47nF,+80-20%,16V,Y5V,	1	SA	
CM22	2203-006048	C-CER,CHIP;100nF,10%,10V,X7R,TP,	1	SA		CZ11	2203-000438	C-CER,CHIP;1nF,10%,50V,X7R,TP,10	1	SA	
CM23	2203-006048	C-CER,CHIP;100nF,10%,10V,X7R,TP,	1	SA		CZ12	2203-006048	C-CER,CHIP;100nF,10%,10V,X7R,TP,	1	SA	
CM24	2203-006048	C-CER,CHIP;100nF,10%,10V,X7R,TP,	1	SA		CZ13	2203-006047	C-CER,CHIP;33nF,10%,16V,X7R,1005	1	SA	
CM25	2203-006048	C-CER,CHIP;100nF,10%,10V,X7R,TP,	1	SA		CZ14	2203-000714	C-CER,CHIP;3.3nF,10%,50V,X7R,TP,	1	SA	
CM26	2203-006048	C-CER,CHIP;100nF,10%,10V,X7R,TP,	1	SA		CZ15	2203-006048	C-CER,CHIP;100nF,10%,10V,X7R,TP,	1	SA	
CM27	2203-006048	C-CER,CHIP;100nF,10%,10V,X7R,TP,	1	SA		CZ16	2203-000254	C-CER,CHIP;10nF,10%,16V,X7R,TP,1	1	SA	
CN01	2203-006361	C-CER,CHIP;10000nF,10%,10V,X5R,T	1	SC		CZ17	2203-006048	C-CER,CHIP;100nF,10%,10V,X7R,TP,	1	SA	
CN02	2203-006048	C-CER,CHIP;100nF,10%,10V,X7R,TP,	1	SA		CZ18	2203-006048	C-CER,CHIP;100nF,10%,10V,X7R,TP,	1	SA	
CN03	2203-000425	C-CER,CHIP;.018nF,5%,50V,COG,TP,	1	SA		CZ21	2203-006361	C-CER,CHIP;10000nF,10%,10V,X5R,T	1	SC	
CNA01	3711-000922	HEADER-BOARD TO CABLE;BOX,4P,1R,	1	SA		CZ22	2203-006048	C-CER,CHIP;100nF,10%,10V,X7R,TP,	1	SA	
CNCH1	3708-002545	CONNECTOR-FPC/FFC/PIC;10P,0.5mm,	1	SA		CZ27	2203-006048	C-CER,CHIP;100nF,10%,10V,X7R,TP,	1	SA	
CNCH2	3711-007137	HEADER-BOARD TO CABLE;BOX,4P,1R,	1	SA		DCH01	0401-001110	DIODE-SWITCHING;1SS400,80V,100mA	1	SA	
CND01	3708-002790	CONNECTOR-FPC/FFC/PIC;30P,0.5MM,	1	SA		DCH02	0401-001110	DIODE-SWITCHING;1SS400,80V,100mA	1	SA	
CND02	3708-002620	CONNECTOR-FPC/FFC/PIC;14P,0.5MM,	1	SA		DCH03	0404-001096	DIODE-SCHOTTKY;1SS393,40V,100mA,	1	SA	
CNN01	3709-001553	CONNECTOR-CARD SLOT;12P,2.5mm,SM	1	SA		DCH05	0601-002407	LED;SMD(TOP VIEW),orang/green,1.	1	SA	
CNV01	3711-006445	HEADER-BOARD TO BOARD;BOX,20P,2R	1	SA		DP01	0402-001324	DIODE-RECTIFIER;RB491D,25V,1A,SO	1	SA	
CNZ01	3708-002785	CONNECTOR-FPC/FFC/PIC;22P,0.5MM,	1	SA		DP02	0404-001272	DIODE-SCHOTTKY;1SS416,30V,100mA,	1	SA	
CP02	2203-006474	C-CER,CHIP;22000nF,20%,6.3V,X5R,	1	SA		DP03	0404-001272	DIODE-SCHOTTKY;1SS416,30V,100mA,	1	SA	
CP04	2203-006474	C-CER,CHIP;22000nF,20%,6.3V,X5R,	1	SA		DZ01	0401-001110	DIODE-SWITCHING;1SS400,80V,100mA	1	SA	
CP05	2203-006474	C-CER,CHIP;22000nF,20%,6.3V,X5R,	1	SA		ICA01	1002-001556	IC-A/D&D/A CONVERTER;CS42L52CNZR	1	SA	
CP06	2203-006048	C-CER,CHIP;100nF,10%,10V,X7R,TP,	1	SA		ICA31	1201-002413	IC-VIDEO AMP;MAX9502GELT,uDNF,6P	1	SA	
CP08	2203-006048	C-CER,CHIP;100nF,10%,10V,X7R,TP,	1	SA		ICD01	AD13-00049A	IC-DSP-NIKE;S5C7329X01,440Pin,15	1	SNA	
CP11	2203-006361	C-CER,CHIP;10000nF,10%,10V,X5R,T	1	SC		ICH01	1203-004021	IC-BATTERY;BQ24035RHLR,PQFP,20P,	1	SA	
CP12	2203-006474	C-CER,CHIP;22000nF,20%,6.3V,X5R,	1	SA		ICH03	0909-001058	IC-REAL TIME CLOCK;R2051T01,TSSO	1	SA	
CP13	2203-006361	C-CER,CHIP;10000nF,10%,10V,X5R,T	1	SC		ICH04	1203-005845	IC-POSIFIXED REG.;RP103N311D-TR	1	SA	
CP14	2203-006474	C-CER,CHIP;22000nF,20%,6.3V,X5R,	1	SA		ICM01	1107-001699	IC-FLASH MEMORY;KFG1216U2B,512Mb	1	SNA	
CP15	2203-006361	C-CER,CHIP;10000nF,10%,10V,X5R,T	1	SC		ICM21	1105-002025	IC-DDR SDRAM;A3S12D40ETP-G5,DDR,	1	SNA	
CP16	2203-006361	C-CER,CHIP;10000nF,10%,10V,X5R,T	1	SC		ICP01	1203-005514	IC-PWM CONTROLLER;BD9757MWW,QFN,	1	SA	
CP17	2203-005065	C-CER,CHIP;1000nF,+80-20%,10V,Y5	1	SA		ICP31	1203-005705	IC-POSIFIXED REG.;RP103N181D,SO	1	SA	
CP18	2203-006361	C-CER,CHIP;10000nF,10%,10V,X5R,T	1	SC		ICP41	1203-005883	IC-POSIFIXED REG.;RP130N471D-TR	1	SA	
CP19	2203-005065	C-CER,CHIP;1000nF,+80-20%,10V,Y5	1	SA		ICV01	1002-001449	IC-A/D CONVERTER;VSP2582RHN,12,Q	1	SA	
CP20	2203-000233	C-CER,CHIP;0.1nF,5%,50V,COG,TP,1	1	SA		ICV21	1003-002142	IC-CLOCK DRIVER;NVD2014,TSSOP,16	1	SA	
CP21	2203-007133	C-CER,CHIP;10000nF,10%,16V,X5R,T	1	SA		ICZ01	1003-001988	IC-MOTOR DRIVER;uPD168104,WQFN,5	1	SA	
CP22	2203-007133	C-CER,CHIP;10000nF,10%,16V,X5R,T	1	SA		JA03	3722-002909	JACK-PHONE;5P,AU,30U,BLK,SMD-A	1	SA	
CP23	2203-007133	C-CER,CHIP;10000nF,10%,16V,X5R,T	1	SA		JCH02	3722-002891	JACK-MINI USB;5P1C,Au Over Ni,BL	1	SA	
CP24	2203-006361	C-CER,CHIP;10000nF,10%,10V,X5R,T	1	SC		JCH01	3722-002904	JACK-DC POWER;4P,Au,Ni,ORG	1	SA	
CP32	2203-006348	C-CER,CHIP;1000nF,10%,25V,X5R,TP	1	SA		LA02	3301-001649	BEAD-SMD;180ohm,1608,TP,226ohm/3	1	SA	
CP33	2203-006048	C-CER,CHIP;100nF,10%,10V,X7R,TP,	1	SA		LA03	2703-002723	INDUCTOR-SMD;22uH,10%,2012	1	SA	
CV01	2203-006361	C-CER,CHIP;10000nF,10%,10V,X5R,T	1	SC		LD23	3301-001649	BEAD-SMD;180ohm,1608,TP,226ohm/3	1	SA	
CV02	2203-006048	C-CER,CHIP;100nF,10%,10V,X7R,TP,	1	SA		LD27	3301-001649	BEAD-SMD;180ohm,1608,TP,226ohm/3	1	SA	
CV03	2203-006048	C-CER,CHIP;100nF,10%,10V,X7R,TP,	1	SA		LIBAT	4302-001225	BATTERY-LI(2ND);3.0V,1.0mAH,ML41	1	SA	
CV04	2203-006361	C-CER,CHIP;10000nF,10%,10V,X5R,T	1	SC		LP01	2703-003376	INDUCTOR-SMD;10uH,0.2,3838	1	SA	
CV05	2203-006048	C-CER,CHIP;100nF,10%,10V,X7R,TP,	1	SA		LP02	2703-003375	INDUCTOR-SMD;4.7uH,0.2,3838	1	SA	
CV06	2203-000815	C-CER,CHIP;0.033nF,5%,50V,COG,16	1	SA		LP04	2703-003375	INDUCTOR-SMD;4.7uH,0.2,3838	1	SA	
CV07	2203-002793	C-CER,CHIP;1000nF,+80-20%,25V,Y5	1	SA		LP05	2703-003375	INDUCTOR-SMD;4.7uH,0.2,3838	1	SA	
CV08	2203-006048	C-CER,CHIP;100nF,10%,10V,X7R,TP,	1	SA		LP06	2703-003375	INDUCTOR-SMD;4.7uH,0.2,3838	1	SA	
CV09	2203-006048	C-CER,CHIP;100nF,10%,10V,X7R,TP,	1	SA		LP07	2703-002723	INDUCTOR-SMD;22uH,10%,2012	1	SA	
CV10	2203-005627	C-CER,CHIP;470nF,10%,10V,X5R,160	1	SA		LP08	2703-000403	INDUCTOR-SMD;22uH,10%,3225	1	SA	
CV11	2203-006048	C-CER,CHIP;100nF,10%,10V,X7R,TP,	1	SA		LP09	2703-000403	INDUCTOR-SMD;22uH,10%,3225	1	SA	
CV12	2203-006048	C-CER,CHIP;100nF,10%,10V,X7R,TP,	1	SA		LP10	2703-000403	INDUCTOR-SMD;22uH,10%,3225	1	SA	
CV13	2203-006048	C-CER,CHIP;100nF,10%,10V,X7R,TP,	1	SA		LV01	2703-002727	INDUCTOR-SMD;4.7uH,20%,2012	1	SA	
CV21	2203-002793	C-CER,CHIP;1000nF,+80-20%,25V,Y5	1	SA		LV21	2703-002727	INDUCTOR-SMD;4.7uH,20%,2012	1	SA	
CV22	2203-006361	C-CER,CHIP;10000nF,10%,10V,X5R,T	1	SC		LV22	2703-002727	INDUCTOR-SMD;4.7uH,20%,2012	1	SA	
CV23	2203-007133	C-CER,CHIP;10000nF,10%,16V,X5R,T	1	SA		LZ21	2703-002723	INDUCTOR-SMD;22uH,10%,2012	1	SA	
CZ01	2203-006048	C-CER,CHIP;100nF,10%,10V,X7R,TP,	1	SA		QCH01	0504-000168	TR-DIGITAL;RN1104,NPN,100mW,47K/	1	SA	
CZ02	2203-005065	C-CER,CHIP;1000nF,+80-20%,10V,Y5	1	SA		QCH02	0504-000168	TR-DIGITAL;RN1104,NPN,100mW,47K/	1	SA	
CZ03	2203-006048	C-CER,CHIP;100nF,10%,10V,X7R,TP,	1	SA							



Loc.No	Part No	Description : Specification	Q'ty	S.N.A	Remark	Loc.No	Part No	Description : Specification	Q'ty	S.N.A	Remark
QCH05	0504-001025	TR-DIGITAL;DTC143EE,NPN,150mW,4.	1	SA		RD109	2007-000159	R-CHIP;56Kohm,5%,1/16W,TP,1005	1	SA	
QCH06	0504-001025	TR-DIGITAL;DTC143EE,NPN,150mW,4.	1	SA		RD11	2007-000162	R-CHIP;100Kohm,5%,1/16W,TP,1005	1	SA	
QD140	0504-001025	TR-DIGITAL;DTC143EE,NPN,150mW,4.	1	SA		RD110	2007-000775	R-CHIP;33Kohm,5%,1/16W,TP,1005	1	SA	
QP01	0506-001066	TR-ARRAY;UMF5,NPN/PNP,2,150mW,SC	1	SA		RD135	2007-000148	R-CHIP;10Kohm,5%,1/16W,TP,1005	1	SA	
QP04	0505-002567	FET/ISBD;SCH2830,P-,20V,-1A,1ohm,	1	SA		RD152	2007-000148	R-CHIP;10Kohm,5%,1/16W,TP,1005	1	SA	
QP52	0504-001101	TR-DIGITAL;EMD2,NPN/PNP,150mW,22	1	SA		RD153	2007-000148	R-CHIP;10Kohm,5%,1/16W,TP,1005	1	SA	
QZ07	0501-000225	TR-SMALL SIGNAL;2SC4617,NPN,200m	1	SA		RD154	2007-000148	R-CHIP;10Kohm,5%,1/16W,TP,1005	1	SA	
QZ21	0504-001025	TR-DIGITAL;DTC143EE,NPN,150mW,4.	1	SA		RD155	2007-000148	R-CHIP;10Kohm,5%,1/16W,TP,1005	1	SA	
RA01	2007-000137	R-CHIP;2Kohm,5%,1/16W,TP,1005	1	SA		RD156	2007-000148	R-CHIP;10Kohm,5%,1/16W,TP,1005	1	SA	
RA02	2007-000137	R-CHIP;2Kohm,5%,1/16W,TP,1005	1	SA		RD163	2007-000162	R-CHIP;100Kohm,5%,1/16W,TP,1005	1	SA	
RA03	2007-000140	R-CHIP;1Kohm,5%,1/16W,TP,1005	1	SA		RD164	2007-000162	R-CHIP;100Kohm,5%,1/16W,TP,1005	1	SA	
RA04	2007-000140	R-CHIP;1Kohm,5%,1/16W,TP,1005	1	SA		RD167	2007-000171	R-CHIP;0ohm,5%,1/16W,TP,1005	1	SA	
RA05	2007-000140	R-CHIP;1Kohm,5%,1/16W,TP,1005	1	SA		RD17	2007-000162	R-CHIP;100Kohm,5%,1/16W,TP,1005	1	SA	
RA06	2007-000162	R-CHIP;100Kohm,5%,1/16W,TP,1005	1	SA		RD18	2007-000162	R-CHIP;100Kohm,5%,1/16W,TP,1005	1	SA	
RA07	2007-000140	R-CHIP;1Kohm,5%,1/16W,TP,1005	1	SA		RD19	2007-000162	R-CHIP;100Kohm,5%,1/16W,TP,1005	1	SA	
RA08	2007-000162	R-CHIP;100Kohm,5%,1/16W,TP,1005	1	SA		RD20	2007-000162	R-CHIP;100Kohm,5%,1/16W,TP,1005	1	SA	
RA09	2007-000140	R-CHIP;1Kohm,5%,1/16W,TP,1005	1	SA		RD27	2007-000171	R-CHIP;0ohm,5%,1/16W,TP,1005	1	SA	
RA10	2007-000140	R-CHIP;1Kohm,5%,1/16W,TP,1005	1	SA		RD29	2007-000171	R-CHIP;0ohm,5%,1/16W,TP,1005	1	SA	
RA16	2007-000148	R-CHIP;10Kohm,5%,1/16W,TP,1005	1	SA		RD30	2007-000162	R-CHIP;100Kohm,5%,1/16W,TP,1005	1	SA	
RA17	2007-000140	R-CHIP;1Kohm,5%,1/16W,TP,1005	1	SA		RD34	2007-000162	R-CHIP;100Kohm,5%,1/16W,TP,1005	1	SA	
RA31	2007-000162	R-CHIP;100Kohm,5%,1/16W,TP,1005	1	SA		RD41	2007-000162	R-CHIP;100Kohm,5%,1/16W,TP,1005	1	SA	
RA32	2007-008015	R-CHIP;75ohm,1%,1/16W,TP,1005	1	SA		RD44	2007-000162	R-CHIP;100Kohm,5%,1/16W,TP,1005	1	SA	
RA33	2007-000157	R-CHIP;47Kohm,5%,1/16W,TP,1005	1	SA		RD53	2007-000148	R-CHIP;10Kohm,5%,1/16W,TP,1005	1	SA	
RA34	2007-000157	R-CHIP;47Kohm,5%,1/16W,TP,1005	1	SA		RD54	2007-003000	R-CHIP;110Kohm,5%,1/16W,TP,1005	1	SA	
RCH01	2007-001323	R-CHIP;3Kohm,5%,1/16W,TP,1005	1	SA		RD56	2007-000148	R-CHIP;10Kohm,5%,1/16W,TP,1005	1	SA	
RCH02	2007-008213	R-CHIP;4.3Kohm,1%,1/16W,TP,1005	1	SA		RD57	2007-000148	R-CHIP;10Kohm,5%,1/16W,TP,1005	1	SA	
RCH03	2007-007470	R-CHIP;7.5Kohm,1%,1/16W,TP,1005	1	SA		RD58	2007-000162	R-CHIP;100Kohm,5%,1/16W,TP,1005	1	SA	
RCH04	2007-000148	R-CHIP;10Kohm,5%,1/16W,TP,1005	1	SA		RD61	2007-000140	R-CHIP;1Kohm,5%,1/16W,TP,1005	1	SA	
RCH05	2007-000148	R-CHIP;10Kohm,5%,1/16W,TP,1005	1	SA		RD62	2007-000162	R-CHIP;100Kohm,5%,1/16W,TP,1005	1	SA	
RCH06	2007-000162	R-CHIP;100Kohm,5%,1/16W,TP,1005	1	SA		RD63	2007-000140	R-CHIP;1Kohm,5%,1/16W,TP,1005	1	SA	
RCH08	2007-000162	R-CHIP;100Kohm,5%,1/16W,TP,1005	1	SA		RD64	2007-000162	R-CHIP;100Kohm,5%,1/16W,TP,1005	1	SA	
RCH09	2007-000162	R-CHIP;100Kohm,5%,1/16W,TP,1005	1	SA		RD65	2007-000153	R-CHIP;22Kohm,5%,1/16W,TP,1005	1	SA	
RCH10	2007-000162	R-CHIP;100Kohm,5%,1/16W,TP,1005	1	SA		RD75	2007-000140	R-CHIP;1Kohm,5%,1/16W,TP,1005	1	SA	
RCH11	2007-000162	R-CHIP;100Kohm,5%,1/16W,TP,1005	1	SA		RD78	2007-000140	R-CHIP;1Kohm,5%,1/16W,TP,1005	1	SA	
RCH16	2007-007946	R-CHIP;470Kohm,1%,1/16W,TP,1005	1	SA		RD79	2007-000168	R-CHIP;470Kohm,5%,1/16W,TP,1005	1	SA	
RCH17	2007-007942	R-CHIP;1Mohm,1%,1/16W,TP,1005	1	SA		RD80	2007-000140	R-CHIP;1Kohm,5%,1/16W,TP,1005	1	SA	
RCH18	2007-003015	R-CHIP;2.2ohm,5%,1/16W,TP,1005	1	SA		RD81	2007-007107	R-CHIP;100Kohm,1%,1/16W,TP,1005	1	SA	
RCH19	2007-003015	R-CHIP;2.2ohm,5%,1/16W,TP,1005	1	SA		RD92	2007-009964	R-CHIP;44.2ohm,1%,1/16W,TP,1005	1	SA	
RCH22	2007-001320	R-CHIP;1.8Kohm,5%,1/16W,TP,1005	1	SA		RD93	2007-000140	R-CHIP;1Kohm,5%,1/16W,TP,1005	1	SA	
RCH23	2007-001320	R-CHIP;1.8Kohm,5%,1/16W,TP,1005	1	SA		RD94	2007-000170	R-CHIP;1Mohm,5%,1/16W,TP,1005	1	SA	
RCH26	2007-000162	R-CHIP;100Kohm,5%,1/16W,TP,1005	1	SA		RD95	2007-000162	R-CHIP;100Kohm,5%,1/16W,TP,1005	1	SA	
RCH27	2007-008417	R-CHIP;34Kohm,1%,1/16W,TP,1005	1	SA		RD96	2007-000162	R-CHIP;100Kohm,5%,1/16W,TP,1005	1	SA	
RCH31	2007-001307	R-CHIP;180ohm,5%,1/16W,TP,1005	1	SA		RD97	2007-000170	R-CHIP;1Mohm,5%,1/16W,TP,1005	1	SA	
RCH32	2007-000138	R-CHIP;100ohm,5%,1/16W,TP,1005	1	SA		RD98	2007-007318	R-CHIP;1Kohm,1%,1/16W,TP,1005	1	SA	
RCH35	2007-001306	R-CHIP;150ohm,5%,1/16W,TP,1005	1	SA		RD99	2007-007306	R-CHIP;100ohm,1%,1/16W,TP,1005	1	SA	
RCH36	2007-001306	R-CHIP;150ohm,5%,1/16W,TP,1005	1	SA		RM03	2007-000162	R-CHIP;100Kohm,5%,1/16W,TP,1005	1	SA	
RD01	2007-000139	R-CHIP;220ohm,5%,1/16W,TP,1005	1	SA		RM04	2007-000140	R-CHIP;1Kohm,5%,1/16W,TP,1005	1	SA	
RD02	2007-000172	R-CHIP;10ohm,5%,1/16W,TP,1005	1	SA		RM05	2007-000162	R-CHIP;100Kohm,5%,1/16W,TP,1005	1	SA	
RD03	2007-000172	R-CHIP;10ohm,5%,1/16W,TP,1005	1	SA		RM07	2007-000162	R-CHIP;100Kohm,5%,1/16W,TP,1005	1	SA	
RD04	2007-000172	R-CHIP;10ohm,5%,1/16W,TP,1005	1	SA		RM28	2007-000162	R-CHIP;100Kohm,5%,1/16W,TP,1005	1	SA	
RD05	2007-000172	R-CHIP;10ohm,5%,1/16W,TP,1005	1	SA		RM29	2007-000162	R-CHIP;100Kohm,5%,1/16W,TP,1005	1	SA	
RD06	2007-000172	R-CHIP;10ohm,5%,1/16W,TP,1005	1	SA		RM30	2007-000162	R-CHIP;100Kohm,5%,1/16W,TP,1005	1	SA	
RD08	22007-000162	R-CHIP;100Kohm,5%,1/16W,TP,1005	1	SA	SA	RM31	2007-000162	R-CHIP;100Kohm,5%,1/16W,TP,1005	1	SA	
RD09	2007-000138	R-CHIP;100ohm,5%,1/16W,TP,1005	1	SA		RM32	2007-007142	R-CHIP;10Kohm,1%,1/16W,TP,1005	1	SA	
RD100	2007-007306	R-CHIP;100ohm,1%,1/16W,TP,1005	1	SA		RM33	2007-007142	R-CHIP;10Kohm,1%,1/16W,TP,1005	1	SA	
RD101	2007-007306	R-CHIP;100ohm,1%,1/16W,TP,1005	1	SA		RN01	2007-000173	R-CHIP;22ohm,5%,1/16W,TP,1005	1	SA	
RD102	2007-000142	R-CHIP;2.7Kohm,5%,1/16W,TP,1005	1	SA		RN02	2007-000157	R-CHIP;47Kohm,5%,1/16W,TP,1005	1	SA	
RD103	2007-000142	R-CHIP;2.7Kohm,5%,1/16W,TP,1005	1	SA		RN03	2007-000173	R-CHIP;22ohm,5%,1/16W,TP,1005	1	SA	
RD104	2007-000142	R-CHIP;2.7Kohm,5%,1/16W,TP,1005	1	SA		RN04	2007-000157	R-CHIP;47Kohm,5%,1/16W,TP,1005	1	SA	
RD105	2007-000159	R-CHIP;56Kohm,5%,1/16W,TP,1005	1	SA		RN05	2007-000171	R-CHIP;0ohm,5%,1/16W,TP,1005	1	SA	
RD106	2007-000775	R-CHIP;33Kohm,5%,1/16W,TP,1005	1	SA		RN06	2007-000148	R-CHIP;10Kohm,5%,1/16W,TP,1005	1	SA	
RD107	2007-000159	R-CHIP;56Kohm,5%,1/16W,TP,1005	1	SA		RN07	2007-000173	R-CHIP;22ohm,5%,1/16W,TP,1005	1	SA	
RD108	2007-000775	R-CHIP;33Kohm,5%,1/16W,TP,1005	1	SA							

Exploded Views and Parts List

Loc.No	Part No	Description : Specification	Q'ty	S.N.A	Remark
RN08	2007-000173	R-CHIP;22ohm,5%,1/16W,TP,1005	1	SA	
RN09	2007-000157	R-CHIP;47Kohm,5%,1/16W,TP,1005	1	SA	
RN10	2007-000173	R-CHIP;22ohm,5%,1/16W,TP,1005	1	SA	
RN11	2007-000157	R-CHIP;47Kohm,5%,1/16W,TP,1005	1	SA	
RN12	2007-000162	R-CHIP;100Kohm,5%,1/16W,TP,1005	1	SA	
RN13	2007-000162	R-CHIP;100Kohm,5%,1/16W,TP,1005	1	SA	
RP01	2007-008354	R-CHIP;220Kohm,1%,1/16W,TP,1005	1	SA	
RP02	2007-008037	R-CHIP;57.6Kohm,1%,1/16W,TP,1005	1	SA	
RP03	2007-007107	R-CHIP;100Kohm,1%,1/16W,TP,1005	1	SA	
RP04	2007-000153	R-CHIP;22Kohm,5%,1/16W,TP,1005	1	SA	
RP05	2007-001325	R-CHIP;3.3Kohm,5%,1/16W,TP,1005	1	SA	
RP06	2007-000148	R-CHIP;10Kohm,5%,1/16W,TP,1005	1	SA	
RP10	2007-007942	R-CHIP;1Mohm,1%,1/16W,TP,1005	1	SA	
RP11	2007-000163	R-CHIP;120Kohm,5%,1/16W,TP,1005	1	SA	
RP12	2007-008354	R-CHIP;220Kohm,1%,1/16W,TP,1005	1	SA	
RP13	2007-007107	R-CHIP;100Kohm,1%,1/16W,TP,1005	1	SA	
RP14	2007-008417	R-CHIP;34Kohm,1%,1/16W,TP,1005	1	SA	
RP15	2007-008354	R-CHIP;220Kohm,1%,1/16W,TP,1005	1	SA	
RP16	2007-000566	R-CHIP;220Kohm,5%,1/16W,TP,1005	1	SA	
RP17	2007-008037	R-CHIP;57.6Kohm,1%,1/16W,TP,1005	1	SA	
RP18	2007-007107	R-CHIP;100Kohm,1%,1/16W,TP,1005	1	SA	
RP19	2007-000566	R-CHIP;220Kohm,5%,1/16W,TP,1005	1	SA	
RP20	2007-007470	R-CHIP;7.5Kohm,1%,1/16W,TP,1005	1	SA	
RP21	2007-007107	R-CHIP;100Kohm,1%,1/16W,TP,1005	1	SA	
RP22	2007-007312	R-CHIP;20Kohm,1%,1/16W,TP,1005	1	SA	
RP23	2007-007489	R-CHIP;150Kohm,1%,1/16W,TP,1005	1	SA	
RP24	2007-007101	R-CHIP;43Kohm,5%,1/16W,TP,1005	1	SA	
RP25	2007-007470	R-CHIP;7.5Kohm,1%,1/16W,TP,1005	1	SA	
RP26	2007-007946	R-CHIP;470Kohm,1%,1/16W,TP,1005	1	SA	
RP27	2007-007946	R-CHIP;470Kohm,1%,1/16W,TP,1005	1	SA	
RP28	2007-007488	R-CHIP;75Kohm,1%,1/16W,TP,1005	1	SA	
RP29	2007-008037	R-CHIP;57.6Kohm,1%,1/16W,TP,1005	1	SA	
RP51	2007-000162	R-CHIP;100Kohm,5%,1/16W,TP,1005	1	SA	
RP52	2007-000148	R-CHIP;10Kohm,5%,1/16W,TP,1005	1	SA	
RV01	2007-001323	R-CHIP;3Kohm,5%,1/16W,TP,1005	1	SA	
RZ01	2007-000143	R-CHIP;4.7Kohm,5%,1/16W,TP,1005	1	SA	
RZ02	2007-000148	R-CHIP;10Kohm,5%,1/16W,TP,1005	1	SA	
RZ03	2007-000162	R-CHIP;100Kohm,5%,1/16W,TP,1005	1	SA	
RZ04	2007-007316	R-CHIP;3.3Kohm,1%,1/16W,TP,1005	1	SA	
RZ07	2007-000156	R-CHIP;30Kohm,5%,1/16W,TP,1005	1	SA	
RZ08	2007-000162	R-CHIP;100Kohm,5%,1/16W,TP,1005	1	SA	
RZ09	2007-000775	R-CHIP;33Kohm,5%,1/16W,TP,1005	1	SA	
RZ10	2007-000157	R-CHIP;47Kohm,5%,1/16W,TP,1005	1	SA	
RZ11	2007-000164	R-CHIP;150Kohm,5%,1/16W,TP,1005	1	SA	
RZ12	2007-000142	R-CHIP;2.7Kohm,5%,1/16W,TP,1005	1	SA	
RZ13	2007-000162	R-CHIP;100Kohm,5%,1/16W,TP,1005	1	SA	
RZ14	2007-000143	R-CHIP;4.7Kohm,5%,1/16W,TP,1005	1	SA	
RZ15	2007-000162	R-CHIP;100Kohm,5%,1/16W,TP,1005	1	SA	
RZ16	2007-001325	R-CHIP;3.3Kohm,5%,1/16W,TP,1005	1	SA	
RZ17	2007-000162	R-CHIP;100Kohm,5%,1/16W,TP,1005	1	SA	
RZ18	2007-000162	R-CHIP;100Kohm,5%,1/16W,TP,1005	1	SA	
RZ19	2007-001313	R-CHIP;330ohm,5%,1/16W,TP,1005	1	SA	
RZ20	2007-000153	R-CHIP;22Kohm,5%,1/16W,TP,1005	1	SA	
RZ21	2007-000636	R-CHIP;270Kohm,5%,1/16W,TP,1005	1	SA	
RZ22	2007-000148	R-CHIP;10Kohm,5%,1/16W,TP,1005	1	SA	
RZ24	2007-000159	R-CHIP;56Kohm,5%,1/16W,TP,1005	1	SA	
RZ26	2007-000159	R-CHIP;56Kohm,5%,1/16W,TP,1005	1	SA	
RZ27	2007-000143	R-CHIP;4.7Kohm,5%,1/16W,TP,1005	1	SA	
RZ28	2007-007312	R-CHIP;20Kohm,1%,1/16W,TP,1005	1	SA	
RZ30	2007-001307	R-CHIP;180ohm,5%,1/16W,TP,1005	1	SA	
RZ31	2007-001307	R-CHIP;180ohm,5%,1/16W,TP,1005	1	SA	
RZ32	2007-000162	R-CHIP;100Kohm,5%,1/16W,TP,1005	1	SA	
RZ41	2007-001311	R-CHIP;270ohm,5%,1/16W,TP,1005	1	SA	

Loc.No	Part No	Description : Specification	Q'ty	S.N.A	Remark
RZ42	2007-007318	R-CHIP;1Kohm,1%,1/16W,TP,1005	1	SA	
XCH01	2801-003856	CRYSTAL-SMD;0.032768MHz,20ppm,28	1	SA	
XD01	2801-000102	CRYSTAL-SMD;12MHz,30ppm,12pF,100	1	SA	
XD02	2801-004908	CRYSTAL-SMD;48MHz,30ppm,SMD,7pF,	1	SA	

**ASSY LCD BOARD**

Part No	Description : Specification	Q'ty	S.N.A	Remark
<b>P004 AD92-00982A</b>	<b>ASSY PCB LCD;F40,SMX-F40,NTSC/PA</b>	<b>1</b>	<b>SNA</b>	
CL01	2203-000254	C-CER,CHIP;10nF,10%,16V,X7R,TP,1	1	SA
CL02	2203-006048	C-CER,CHIP;100nF,10%,10V,X7R,TP,	1	SA
CL03	2203-006361	C-CER,CHIP;10000nF,10%,10V,X5R,T	1	SC
CL04	2203-005171	C-CER,CHIP;1000nF,10%,16V,X7R,20	1	SA
CL05	2203-006348	C-CER,CHIP;1000nF,10%,25V,X5R,TP	1	SA
CL06	2203-006348	C-CER,CHIP;1000nF,10%,25V,X5R,TP	1	SA
CL07	2203-006320	C-CER,CHIP;2200nF,10%,16V,X7R,TP	1	SA
CL08	2203-006320	C-CER,CHIP;2200nF,10%,16V,X7R,TP	1	SA
CL09	2203-006320	C-CER,CHIP;2200nF,10%,16V,X7R,TP	1	SA
CL10	2203-005065	C-CER,CHIP;1000nF,+80-20%,10V,Y5	1	SA
CL11	2203-005065	C-CER,CHIP;1000nF,+80-20%,10V,Y5	1	SA
CL12	2203-006427	C-CER,CHIP;4700nF,10%,16V,X5R,TP	1	SA
CL13	2203-006320	C-CER,CHIP;2200nF,10%,16V,X7R,TP	1	SA
CL14	2203-005065	C-CER,CHIP;1000nF,+80-20%,10V,Y5	1	SA
CL15	2203-005065	C-CER,CHIP;1000nF,+80-20%,10V,Y5	1	SA
CL16	2203-005065	C-CER,CHIP;1000nF,+80-20%,10V,Y5	1	SA
CL17	2203-005065	C-CER,CHIP;1000nF,+80-20%,10V,Y5	1	SA
CL18	2203-005065	C-CER,CHIP;1000nF,+80-20%,10V,Y5	1	SA
CL19	2203-002709	C-CER,CHIP;100nF,+80-20%,16V,Y5V	1	SA
CNL02	3708-002188	CONNECTOR-FPC/FFC/PIC;40P,0.5mm,	1	SA
ICL01	1209-001841	IC-SENSOR;MRMS501A,SOT223,3P,1.4	1	SA
ICL02	1209-001841	IC-SENSOR;MRMS501A,SOT223,3P,1.4	1	SA
RL01	2007-000148	R-CHIP;10Kohm,5%,1/16W,TP,1005	1	SA
RL02	2007-007132	R-CHIP;15Kohm,1%,1/16W,TP,1005	1	SA
RL03	2007-007311	R-CHIP;22Kohm,1%,1/16W,TP,1005	1	SA
RL04	2007-007308	R-CHIP;33Kohm,1%,1/16W,TP,1005	1	SA
RL05	2007-007139	R-CHIP;47Kohm,1%,1/16W,TP,1005	1	SA
RL06	2007-007590	R-CHIP;82Kohm,1%,1/16W,TP,1005	1	SA
RL07	2007-008354	R-CHIP;220Kohm,1%,1/16W,TP,1005	1	SA
RL08	2007-008296	R-CHIP;680Kohm,1%,1/16W,TP,1005	1	SA
RL13	2007-000309	R-CHIP;10ohm,5%,1/10W,TP,1608	1	SA
SWL01	3404-001216	SWITCH-TACT;12V DC,20mA,160gf,4.	1	SA
SWL02	3404-001313	SWITCH-TACT;12V,50mA,160gf,7.6x7	1	SA
SWL03	3404-001216	SWITCH-TACT;12V DC,20mA,160gf,4.	1	SA

**ASSY CCD**

Part No	Description : Specification	Q'ty	S.N.A	Remark
<b>C314 AD97-18204A</b>	<b>ASSY CCD;F40,SMX-F40,PAL</b>	<b>1</b>	<b>SA</b>	
C594	AD61-02368A	PLATE-CCD;DRAGON2-P,J,AL,T1,W21,L	1	SA
CC02	2203-002709	C-CER,CHIP;100nF,+80-20%,16V,Y5V	1	SA
CC03	2203-000189	C-CER,CHIP;100nF,+80-20%,25V,Y5V	1	SA
CC04	2203-000491	C-CER,CHIP;2.2nF,10%,50V,X7R,160	1	SA
CC05	2203-000192	C-CER,CHIP;100nF,+80-20%,50V,Y5V	1	SA
CC06	2203-006048	C-CER,CHIP;100nF,10%,10V,X7R,TP,1005	1	SA
CN01	3710-002455	SOCKET-BOARD TO BOARD;20P,2R,0.5	1	SA
DC01	0401-001054	DIODE-SWITCHING;KDS160,80V,100MA	1	SA
P132	AD92-00984A	ASSY PCB CCD;F40,SMX-F40,PAL	1	SNA
QC01	0505-002551	FET-SILICON;KTK951S,N,-22V,50mA,	1	SA
RC01	2007-000072	R-CHIP;47ohm,5%,1/10W,TP,1608	1	SA
RC02	2007-000082	R-CHIP;3.3Kohm,5%,1/10W,TP,1608	1	SA
RC03	2007-000102	R-CHIP;100Kohm,5%,1/10W,TP,1608	1	SA
VS004	0605-001146	CCD;CCD(PAL),DIP-14(Plastic),14P,8.2x8.2x2	1	SA
W206	6001-001373	SCREW-MACHINE;PH,T0.5+,M1.7,L3.	2	SA

**ASSY PCB LEFT**

Part No	Description : Specification	Q'ty	S.N.A	Remark
<b>P006 AD92-00992A</b>	<b>ASSY PCB LEFT;F40,SMX-F40,NTSC/</b>	<b>1</b>	<b>SNA</b>	



Loc.No	Part No	Description : Specification	Q'ty	S.N.A	Remark
CK01	2203-005055	C-CER,CHIP;0.0056nF,0.25pF,50V,N	1	SA	
CK02	2203-006048	C-CER,CHIP;100nF,10%,10V,X7R,TP,	1	SA	
CK03	2203-005055	C-CER,CHIP;0.0056nF,0.25pF,50V,N	1	SA	
CK04	2203-006048	C-CER,CHIP;100nF,10%,10V,X7R,TP,	1	SA	
CK05	2203-005055	C-CER,CHIP;0.0056nF,0.25pF,50V,N	1	SA	
CK06	2203-006048	C-CER,CHIP;100nF,10%,10V,X7R,TP,	1	SA	
CK07	2203-005055	C-CER,CHIP;0.0056nF,0.25pF,50V,N	1	SA	
CK08	2203-006048	C-CER,CHIP;100nF,10%,10V,X7R,TP,	1	SA	
CK09	2203-006048	C-CER,CHIP;100nF,10%,10V,X7R,TP,	1	SA	
CNK01	3708-002545	CONNECTOR-FPC/FFC/PIC;10P,0.5mm,	1	SA	
DK01	0401-001110	DIODE-SWITCHING;1SS400,80V,100mA	1	SA	
DK02	0401-001110	DIODE-SWITCHING;1SS400,80V,100mA	1	SA	
DK03	0401-001110	DIODE-SWITCHING;1SS400,80V,100mA	1	SA	
DK04	0401-001110	DIODE-SWITCHING;1SS400,80V,100mA	1	SA	
IC1	1209-001899	IC-SENSOR;MST08S16Q,QFN,16P,4x4mm	1	SA	
RK01	2007-000831	R-CHIP;39Kohm,5%,1/16W,TP,1005	1	SA	
RK02	2007-003012	R-CHIP;2.2Mohm,5%,1/16W,TP,1005	1	SA	
RK03	2007-000831	R-CHIP;39Kohm,5%,1/16W,TP,1005	1	SA	
RK04	2007-003012	R-CHIP;2.2Mohm,5%,1/16W,TP,1005	1	SA	
RK05	2007-000831	R-CHIP;39Kohm,5%,1/16W,TP,1005	1	SA	
RK06	2007-003012	R-CHIP;2.2Mohm,5%,1/16W,TP,1005	1	SA	
RK07	2007-000831	R-CHIP;39Kohm,5%,1/16W,TP,1005	1	SA	
RK08	2007-003012	R-CHIP;2.2Mohm,5%,1/16W,TP,1005	1	SA	
RK09	2007-008300	R-CHIP;5.11Kohm,1%,1/16W,TP,1005	1	SA	
RK12	2007-000029	R-CHIP;0ohm,5%,1/8W,TP,2012	1	SC	
SWK01	3404-001287	SWITCH-TACT;12V,50mA,160gf,4.5x3	1	SA	

### ASSY PCB SUB

P392	AD92-00994A	ASSY PCB SUB-TOP;F40,SMX-F40,NTS	1	SA	
CNT01	3708-002439	CONNECTOR-FPC/FFC/PIC;6P,0.5mm,S	1	SA	
CNT02	3708-001235	CONNECTOR-FPC/FFC/PIC;10P,0.5MM,	1	SC	
DT01	0601-002037	LED;SMD(TOP VIEW);BLUE,1.6x0.8mm	1	SA	
DT02	0601-002037	LED;SMD(TOP VIEW);BLUE,1.6x0.8mm	1	SA	
RT01	2007-000162	R-CHIP;100Kohm,5%,1/16W,TP,1005	1	SA	
SWT01	3404-001216	SWITCH-TACT;12V DC,20mA,160gf,4.	1	SA	
SWT02	3404-001216	SWITCH-TACT;12V DC,20mA,160gf,4.	1	SA	

### ASSY PCB SUB REC

P393	AD92-00995A	ASSY PCB SUB-REC;F40,SMX-F40,NTS	1	SA	
CNR01	3711-000541	HEADER-BOARD TO CABLE;BOX,2P,1R,	1	SA	
SWR1	3404-001362	SWITCH-TACT;16VDC,50mA,160gf,6.6	1	SA	

### ACCESSORY

	AD39-00155A	CBF CABLE-A V;SKT-AU006,MX20,4,1	1	SA	
	AD39-00169A	USB CABLE;SMX-C10,4P-5P,1200mm,0	1	SA	
C108	AD43-00196A	BATTERY;IA-BP210E,H200,Li-ion,1S	1	SA	
	AD44-00150A	ADAPTOR;AA-MA9/EUR,EUROPE,CP2	1	SA	
	AD46-00293A	SOFTWARE PACK-IB;B,1,PAL,1,CD-R	1	SA	

### Additional Part List

FL692	3809-002503	FFC CABLE-FLAT;30V,80C,55mm,10P,	1	SA	
W127	6003-001292	SCREW-TAPTYPE;CH(0.3),+,B,M1.7,L	2	SA	
W129	6001-001719	SCREW-MACHINE;CH,+,M1.7,L4,NI PL	2	SA	
W206	6001-001373	SCREW-MACHINE;PH,T0.5,+,M1.7,L3.	1	SA	
W298	6003-001508	SCREW-TAPTYPE;PH,+,B,M1.4,L3,NI	2	SA	
W313	6001-001510	SCREW-MACHINE;CH,+,M1.7,L2.5,NI	2	SA	
W371	6003-001453	SCREW-TAPTYPE;BH,+,B,M1.7,L4,ZPC	4	SA	
W377	6001-001291	SCREW-MACHINE;CH(0.5),*,-,M1.7,L	1	SA	
W398	6003-001300	SCREW-TAPTYPE;CH,+,B,M1.7,L4,ZPC	3	SA	
W421	6003-001434	SCREW-TAPTYPE;CH,+,B,M1.7,L9,ZPC	3	SA	
W424	6003-001637	SCREW-TAPTYPE;PH,M1.7,+,L3,B,ZPC	1	SA	

# Memo