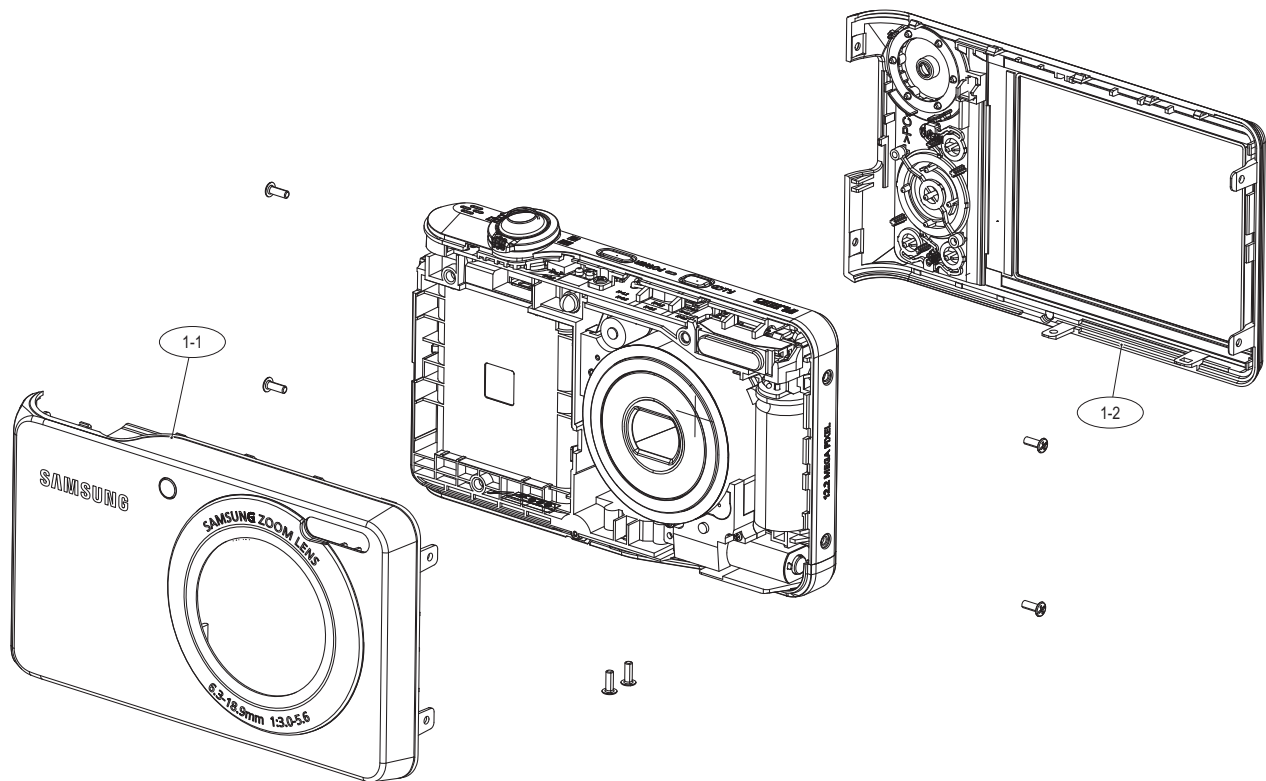


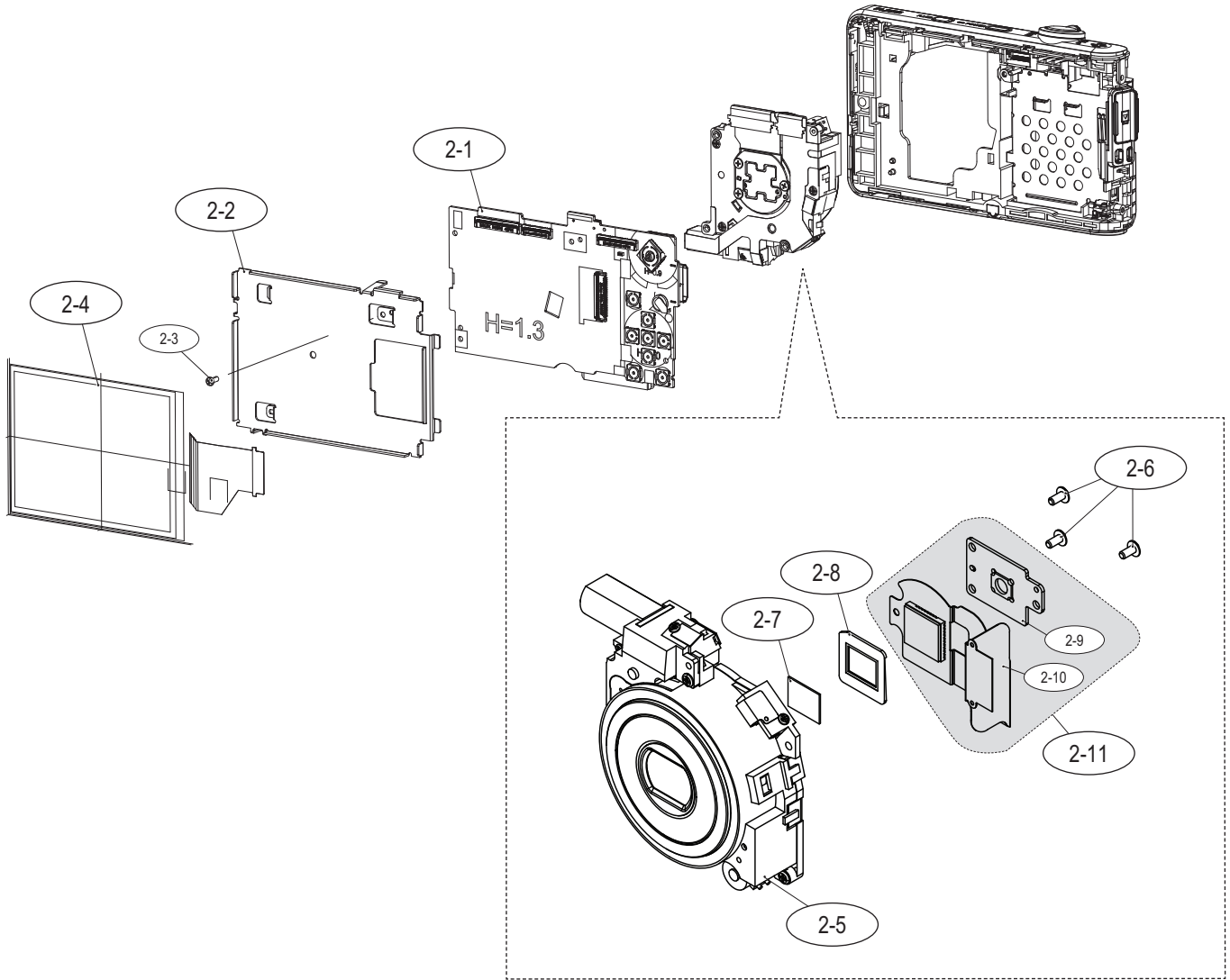
3. Exploded View and Parts List

3-1 BODY ASSEMBLY



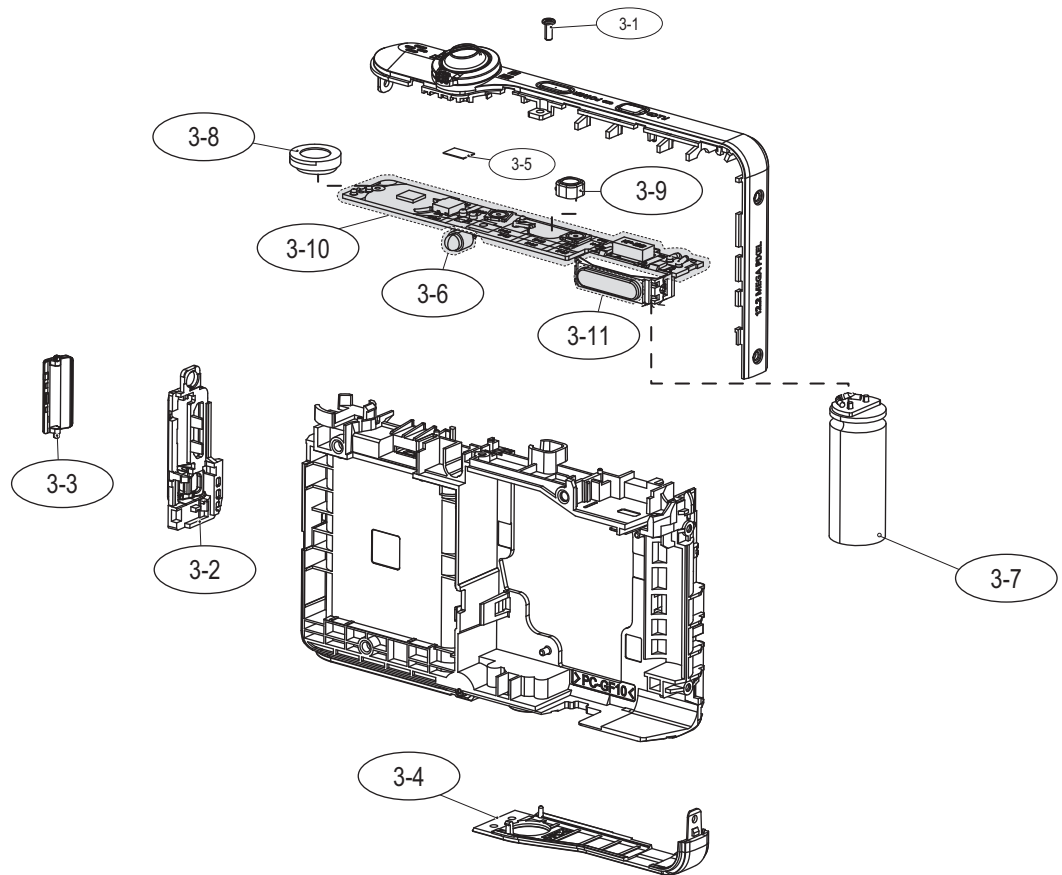
Loc. No	Parts No.	Description	Q ty	Available	Remark
1-1	6003-001503	SCREW 1450 (BLACK)	2	X	
1-2	6003-001779	SCREW 1450 (SILVER)	4	X	

3-2 MAIN ASSEMBLY



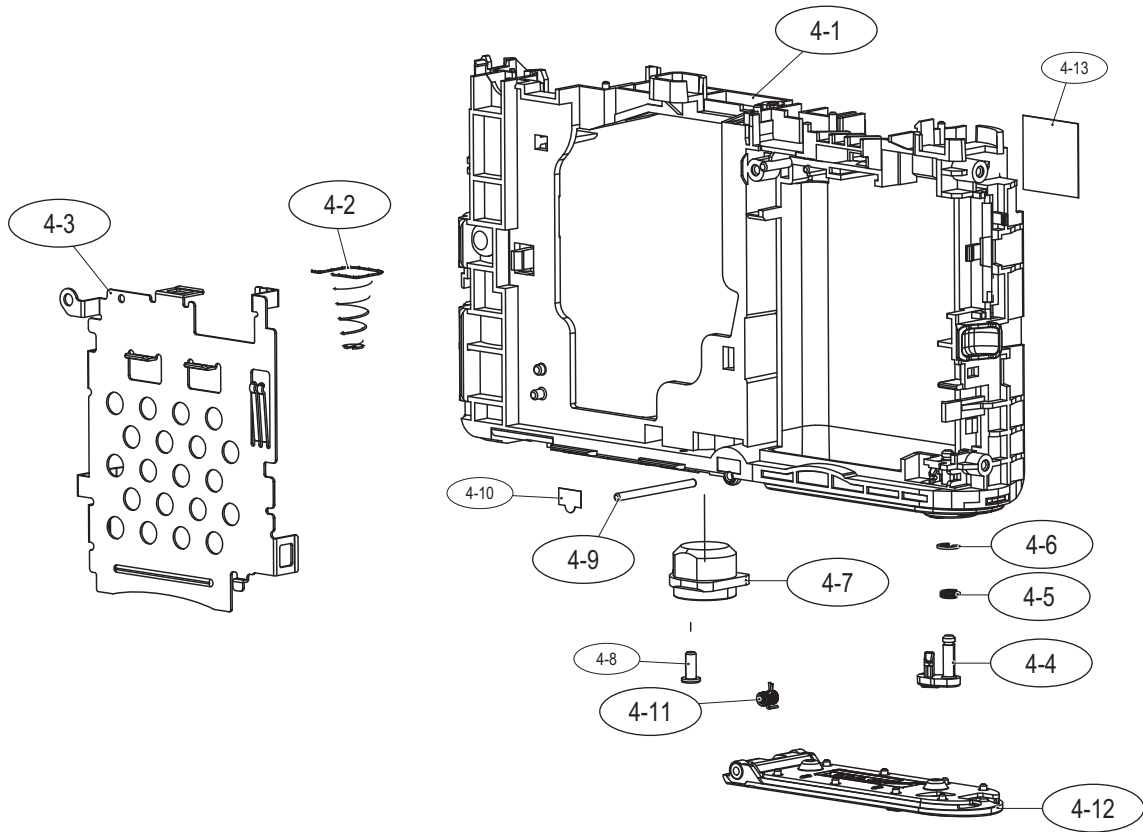
Loc. No	Parts No.	Description	Q ty	Available	Remark
2-1	AD92-01111A	MAIN PCB ASSY	1	O	
2-2	AD61-04551A	FRAME-MAIN	1	O	
2-3	6002-001415	SCREW1440	1	X	
2-4	AD07-00119A	LCD	1	O	
2-5	AD97-18377A	BARREL ASSY	1	O	
2-6	6003-001660	SCREW-TAPTYPE	3	O	
2-7	AD63-01246A	CUSHION-IR CUT FILTE	1	O	
2-8	AD63-04800A	CUSHION-IR	1	O	
2-9	AD61-04529A	PLATE-CCD FPCB	1	X	
2-10	AD92-01062A	SMD FPCB ASSY-CCD	1	X	
2-11	AD92-01090A	FPCB ASSY-CCD;EU2	1	O	

3-3 MAIN SUB ASSEMBLY



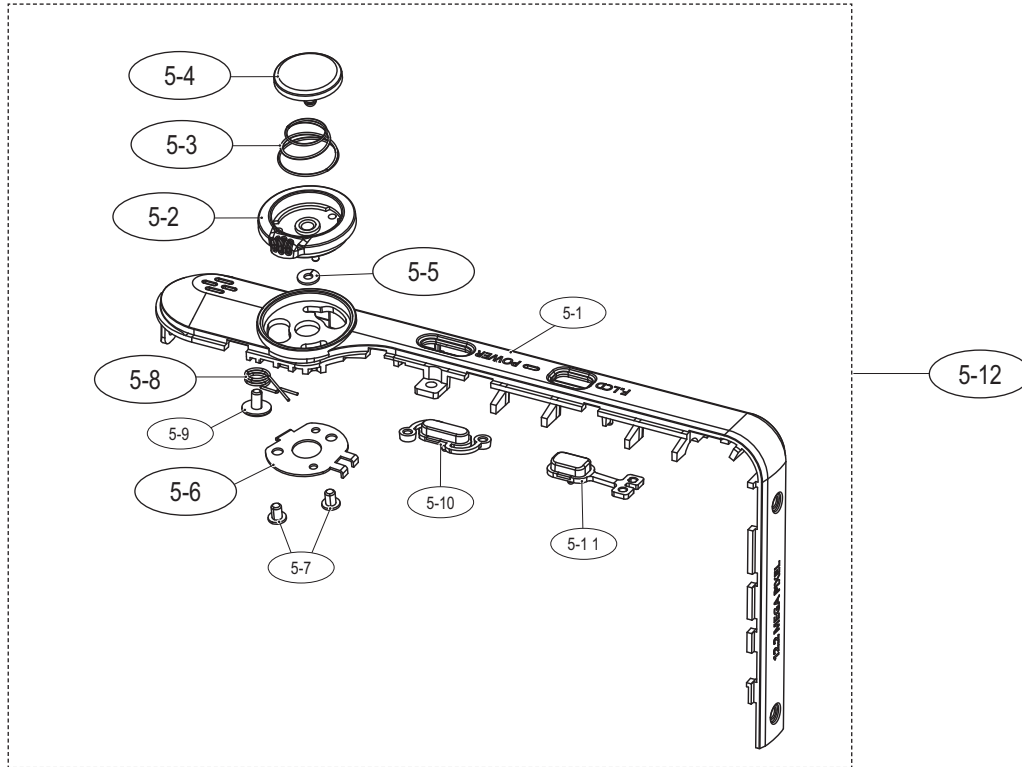
Loc. No	Parts No.	Description	Q ty	Available	Remark
3-1	6002-001415	SCREW1440	1	X	
3-2	AD61-04550A	HOLDER-STRAP	1	O	
3-3	AD63-04729A	COVER-CONNECTOR	1	O	
3-4	AD63-04728A	COVER-BOTTOM	1	O	
3-5	AD63-02630B	BARREL CUSHION A	1	X	
3-6	0601-002516	LED	1	O	
3-7	2401-004697	C-AL	1	O	
3-8	3001-002568	SPEAKER	1	O	
3-9	3003-001159	MIC-CONDENSOR	1	O	
3-10	AD92-01064A	SMD PCB ASSY-TOP	1	O	
3-11	AD97-18798A	ASSY-FLASH MODULE	1	O	

3-4 CHAMBER ASSEMBLY



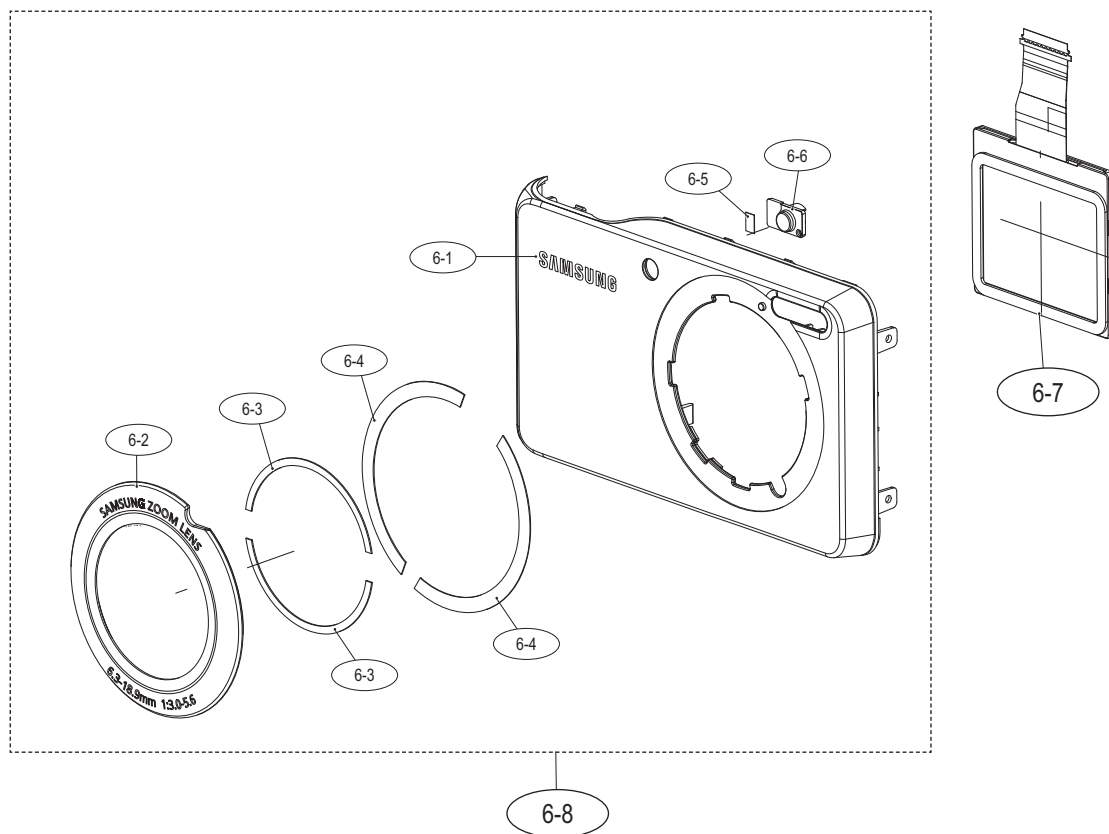
Loc. No	Parts No.	Description	Q ty	Available	Remark
4-1	AD62-00130A	CHAMBER BODY	1	O	
4-2	6107-001556	SPRING CS	1	O	
4-3	AD61-04527A	PLATE-BATTERY HOLDER	1	O	
4-4	AD66-00755A	LEVER-BATTERY LOCK	1	O	
4-5	6107-001678	SPRING TS	1	O	
4-6	6044-001137	E-RING	1	O	
4-7	AD61-03780B	HOLDER-TRIPOD	1	O	
4-8	6002-001415	SCREW 1440	1	X	
4-9	AD61-04559A	HINGE-BATTERY COVER	1	O	
4-10	AD63-05006A	SHEET-BATTERY HINGE	1	X	
4-11	6107-001433	SRPING TS	1	O	
4-12	AD97-18777A	COVER ASSY-BATTERY	1	O	
4-13	AD63-02443A	TSHEET-CONDENSOR	1	X	

3-5 MIDDLE COVER ASSEMBLY



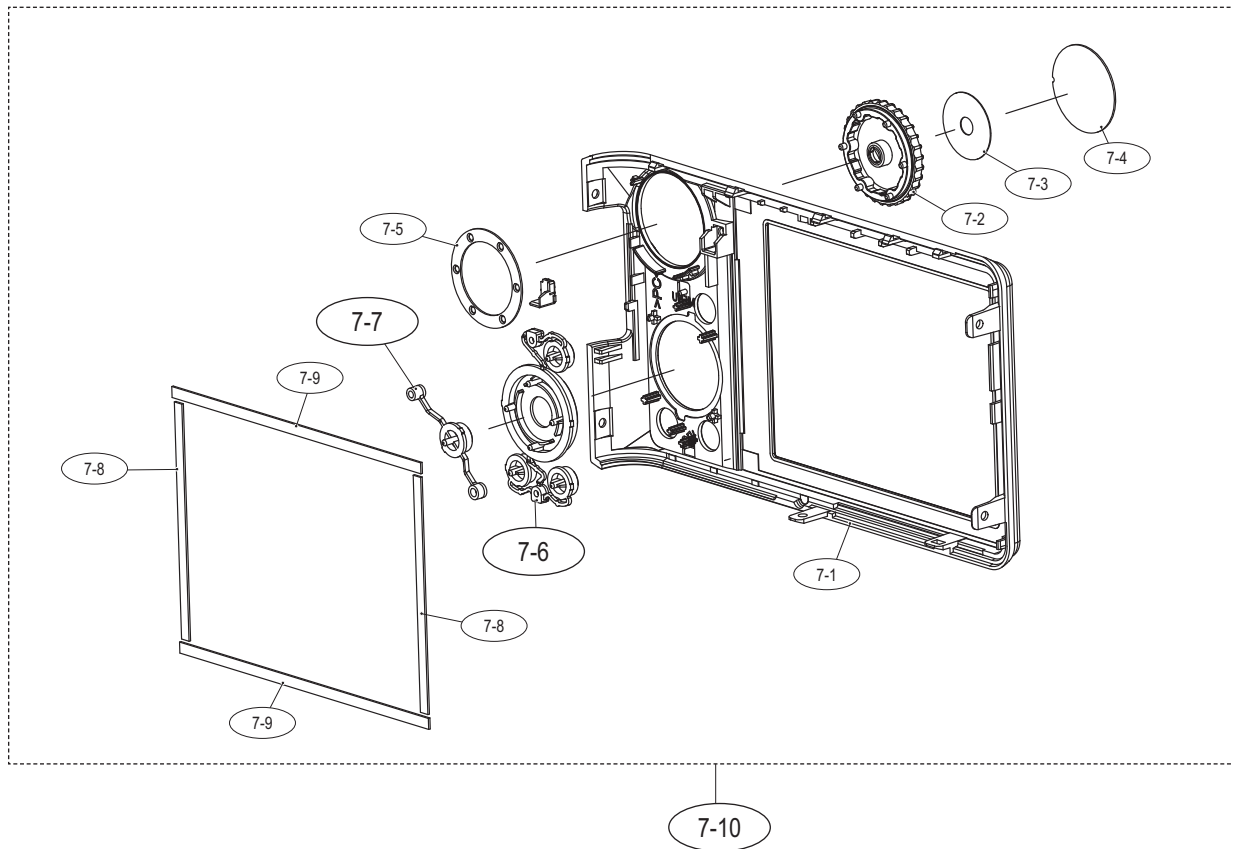
Loc. No	Parts No.	Description	Q ty	Available	Remark
5-1	AD63-04727A	COVER-MIDDLE_SAMSUNG PL100	1	X	
	AD63-04727B	COVER-MIDDLE_VLUU PL100	1	X	
	AD63-04727C	COVER-MIDDLE_SAMSUNG TL205	1	X	
	AD63-04727D	COVER-MIDDLE_SAMSUNG PL101	1	X	
5-2	AD64-02833A	BUTTON-ZOOM	1	O	
5-3	6107-001479	SPRING CS	1	O	
5-4	AD64-02831A	BUTTON-RELEASE	1	O	
5-5	6031-001628	WASHER	1	O	
5-6	AD61-04530A	PLATE-BUTTON ZOOM	1	O	
5-7	6003-001714	SCREW 1420	2	X	
5-8	6107-002671	SPRING TS	1	O	
5-9	6003-001667	SCREW 1425	1	X	
5-10	AD64-02830A	BUTTON-POWER	1	X	
5-11	AD64-02832A	BUTTON-FRONT DISPLAY	1	X	
5-12	AD97-18776A	M/C ASSY SAMSUNG PL100	1	O	
	AD97-18776B	M/C ASSY VLUU PL100	1	O	
	AD97-18776C	M/C ASSY SAMSUNG TL205	1	O	
	AD97-18776D	M/C ASSY SAMSUNG PL101	1	O	

3-6 FRONT COVER ASSEMBLY



Loc. No	Parts No.	Description	Q ty	Available	Remark
6-1	AD63-04725A	COVER-FRONT	1	X	
6-2	AD64-02856A	DECORATION-FRONT RING_SL	1	X	SILVER
	AD64-02856B	DECORATION-FRONT RING_BK	1	X	BLACK
6-3	AD63-04846A	CUSHION-DECO FRONT	2	X	
6-4	AD63-04844A	T/SHEET-DECO FRONT	2	X	
6-5	AD63-03251A	T/SHEET-ACTION LED WINDOW	1	X	
6-6	AD64-02914A	WINDOW LED-AF	1	X	
6-7	AD97-18800A	ASSY-SUB LCD	1	O	
6-8	AD97-19351A	FRONT COVER SUB ASSY	1	O	SILVER
	AD97-19352A	FRONT COVER SUB ASSY	1	O	BLACK
	AD97-19859A	COVER ASSY-FRONT_SUBPK;PL100	1	O	PINK

3-7 BACK COVER ASSEMBLY



Loc. No	Parts No.	Description	Q ty	Available	Remark
7-1	AD63-04726A	COVER-BACK	1	X	
7-2	AD64-02845A	KNOB-MODE DIAL	1	X	
7-3	AD63-03744A	T/SHEET-MODE DIAL	1	X	
7-4	AD64-02859A	DECORATION-MODE DIAL	1	X	
7-5	AD61-04534A	PLATE-MODE DIAL	1	X	
7-6	AD64-02835A	BUTTON-FUNCTION	1	O	
7-7	AD64-02834A	BUTTON-OK	1	O	
7-8	AD63-04588A	CUSHION-LCD A	2	X	
7-9	AD63-04589A	CUSHION-LCD B	2	X	
7-10	AD97-18775A	BACK COVER ASSY	1	O	

3-8 BARREL ASSEMBLY

