

Replacement Parts List

Notes: * Important safety notice:

Components identified by Δ mark have special characteristics important for safety.

Furthermore, special parts which have purposes of fire-retardant (resistors), high-quality sound (capacitors), low-noise (resistors), etc. are used.

When replacing any of components, be sure to use only manufacturer's specified parts shown in the parts list.

* The parenthesized indications in the Remarks columns specify the areas. (Refer to the cover page for area.) Parts without these indications can be used for all areas.

* Warning: This product uses a laser diode. Refer to caution statements on page 2.

* Capacity values are in microfarads (μ F) unless specified otherwise, P=Pico-farads (pF) F=Farads (F)

* Resistance values are in ohms, unless specified otherwise, 1K=1,000 (OHM), 1M=1,000k (OHM)

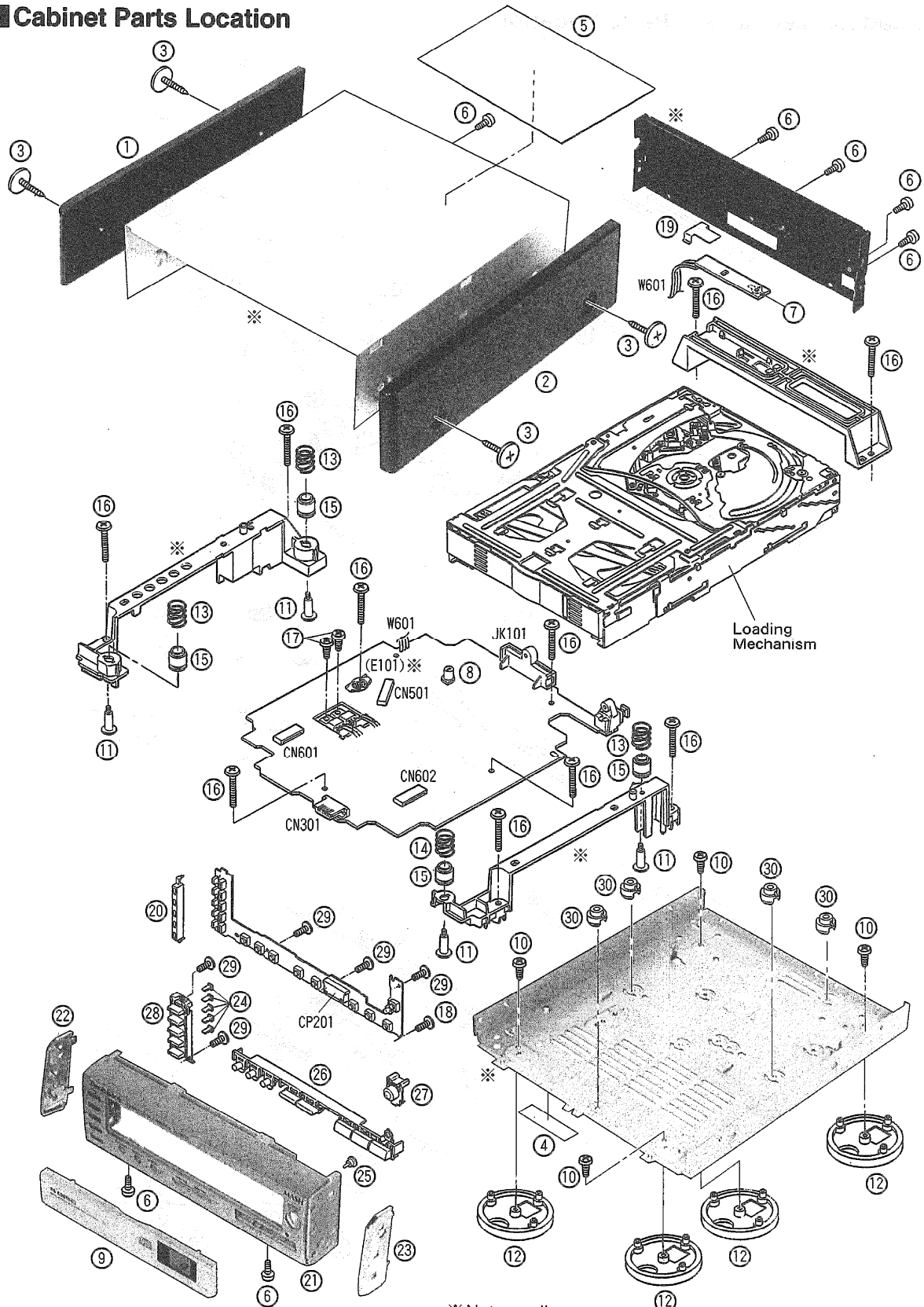
Ref.No.	Part No.	Part Name & Description	Pcs	Remarks
1	RGK0817-1M	SIDE PANEL (L)	1	
2	RGK0818-1M	SIDE PANEL (R)	1	
3	RHD30073-K	SCREW	4	
4	RMZ0420	INSULATION SHEET	1	
5	RQLA0384	CAUTION GUIDE	1	
6	XTBS3+8JFZ1	SCREW	7	
7	RMR1038-K	SENSOR HOLDER (D691)	1	
8	RMR1039-K	SENSOR HOLDER (Q691)	1	
9	RYQ0240-S	TRAY ORNAMENT	1	
10	XTB3+6G	SCREW	4	
11	RHD26027-K	SCREW	4	
12	RKA0076-N	FOOT	4	
13	RMB0518	FLOATING SPRING(A)	3	
14	RMB0519	FLOATING SPRING(B)	1	
15	RMG0455-K	FLOATING RUBBER	4	
16	XTB3+12JFZ	SCREW	10	
17	XTB3+6JFZ	SCREW	2	
18	XTM26+6C	SCREW	1	
19	RMZ0415	INSULATION SHEET	1	
20	RMR1040-K3	L. E. D. HOLDER	1	
21	RFKGLHD81E-N	FRONT PANEL ASS'Y	1	
22	RGK0819-N3	SIDE ORNAMENT (L)	1	
23	RGK0820-N3	SIDE ORNAMENT (R)	1	
24	RGL0346-Q	DISC INDEX	5	
25	RGL0347-Q	L. E. D. INDEX	1	
26	RGU1484-S	OPERATION BUTTON (A)	1	
27	RGU1485-S	OPERATION BUTTON (B)	1	
28	RGU1486-S2	DISC BUTTON	1	
29	XQN26+AJ6FZ	SCREW	5	
30	SHE170-2	P. C. B. HOLDER	4	
Δ 101	RAE0161Z	TRAVERSE DECK	1	
101-1	RAF0140A	OPTICAL PICKUP	1	
101-2	RFKQPTC500NP	SPINDLE MOTOR ASS'Y	1	
101-3	XQN17+CF6	SCREW	1	
101-4	XQN17+CF8	SCREW	1	
101-5	XQN17+CG45	SCREW	1	
101-6	XQN17+CM25	SCREW	2	
102	RFKNQTC500NA	ELEVATION BASE ASS'Y	1	
103	RFKNQTC500NB	CLAMP TRIGGER ASS'Y	1	

Ref.No.	Part No.	Part Name & Description	Pcs	Remarks
104	RFKNQTC500MC	E. SEMICIRCULAR PLATE ASS'Y	1	
105	RKK0208	MECHANISM CHASSIS ASS'Y	1	
106	RFKNQTC500NE	CLAMP RACK PLATE ASS'Y	1	
107	RFKNQTC500NF	CLAMPER ASS'Y	1	
108	RMC0304-1	TRAVERSE SPRING PLATE	1	
109	RHD20040	SCREW	2	
110	RMC0305-1	CLAMP RACK HOLDER	1	
111	RMB0480	TRIGGER SPRING	1	
112	RMQ0604	SUB TRAY GUIDE (L)	1	
113	RMQ0605	SUB TRAY GUIDE (R)	1	
114	XQN2+A2	SCREW	4	
115	XQN2+A2G	SCREW	2	
116	XWA2B	WASHER	1	
117	XWE2	WASHER	1	
118	XQN2+AF3	SCREW	4	
119	XWA2B	WASHER	4	
120	RXL0137	CONVERSION LEVER UNIT	1	
121	RXL0138	ELEVATION LEVER UNIT	1	
122	RMR0996-C1	SUB TRAY	5	
123	RMQ0607	DISC HOLDER	1	
124	RMC0303	SUB TRAY SPRING PLATE	1	
125	RML0448	MAIN TRAY HOOK	1	
126	RMR0995-H	MAIN TRAY	1	
127	RMR0998-H	MAIN TRAY COVER	1	
128	REM0065	LOADING MOTOR ASS'Y	1	
128-1	RMQ0603	MOTOR ANGLE	1	
128-2	XYN2+C3	SCREW	2	
129	RMH0157-1	CONNECTING LINK PLATE	1	
130	XQN2+A22FZ	SCREW	1	
131	XQN2+BJ5	SCREW	5	
132	XYN2+C6	SCREW	4	
133	RDG0358	ELEVATION GEAR	1	
134	RDG0360	MOTOR REDUCTION GEAR (A)	1	
135	RDG0361	ELEVATION TRANSMISSION GEAR	4	
136	RDG0362	MODE REDUCTION GEAR	1	
137	RDG0363	CONVER. REDUCTION GEAR (A)	2	
138	RDG0364	CONVER. REDUCTION GEAR (B)	1	
139	RDG0365	LOAD GEAR (A)	1	
140	RDG0366	LOAD GEAR (B)	1	
141	RDG0367	M TRAY GEAR	1	
142	RDG0368	S TRAY GEAR (A)	1	
143	RDG0369	S TRAY GEAR (B)	2	
144	RDG0370	S TRAY GEAR (C)	1	
145	RDG0371	MOTOR REDUCTION GEAR (B)	1	
146	RDG0372	MODE SELECT GEAR	1	
147	RDK0028	LOAD MAIN GEAR	1	
148	RDK0029	ELEVATION CAM	1	
149	RDK0030	CONVERSION CAM	1	
151	RHW12008	WASHER	3	
152	RHW15002	WASHER	2	
153	RHW26008	WASHER	1	
154	RMA0956	ELEVATION GEAR HOLDER	1	
155	RME0213	CONVERSION LEVER SPRING	1	
156	RME0214	MODE CONTROL SPRING	1	
157	RME0219	MODE LOCK LEVER SPRING	1	
158	RME0222	STOPPER SPRING	1	
159	RXQ0500	STEP CAM (L) ASS'Y	1	
160	RXQ0499	STEP CAM (R) ASS'Y	1	
161	RML0445	SUB TRAY HOOK	4	
162	RML0446	MODE CONTROL LEVER	1	
163	RML0447	MODE LOCK LEVER	1	
164	RML0459	DISC STOPPER	1	
165	RMQ0608-2	GEAR COVER	1	
166	RSJ0016-1	PLUNGER	1	
167	RFKNLHD70EBN	MECH. CHASSIS BRACKET ASS'Y	1	
168	RFKNLHD70ECN	DISC SPACER ASS'Y	1	
C101,02	ECUV1H103KBN	50V 0.01U	2	
Δ C103-05	ECA1EM102B	25V 1000U	3	
C106	RCE1CK5470BV	16V 47U	1	
C107	ECUV1H102KBN	50V 1000P	1	
C108	ECEA1AKS221	10V 220U	1	
C109	RCE1CK5470BV	16V 47U	1	
C110	ECUV1H102KBN	50V 1000P	1	
C111	ECEA1AKS221	10V 220U	1	

Ref. No.	Part No.	Part Name & Description	Pcs	Remarks
R138, 39	ERJ6GEYJ820V	1/10W 82	2	
R140	ERJ6GEYJ471V	1/10W 470	1	
R141	ERJ6GEYJ470V	1/10W 47	1	
R142	ERJ6GEYR000Z	CHIP JUMPER	1	
R201-03	ERJ8GEYJ101V	1/8W 100	3	
R204	ERJ6GEYJ331V	1/10W 330	1	
R205-09	ERJ6GEYJ151V	1/10W 150	5	
R210	ERJ6GEYJ152V	1/10W 1.5K	1	
R211	ERJ6GEYJ122V	1/10W 1.2K	1	
R212	ERJ6GEYJ102Z	1/10W 1K	1	
R213, 14	ERJ6GEYJ821V	1/10W 820	2	
R215	ERJ6GEYJ102Z	1/10W 1K	1	
R216	ERJ6GEYJ122V	1/10W 1.2K	1	
R217	ERJ6GEYJ152V	1/10W 1.5K	1	
R218	ERJ6GEYJ182V	1/10W 1.8K	1	
R219	ERJ6GEYJ222V	1/10W 2.2K	1	
R220	ERJ6GEYJ332V	1/10W 3.3K	1	
R221	ERJ6GEYJ472V	1/10W 4.7K	1	
R222	ERJ6GEYR000Z	CHIP JUMPER	1	
R223-27	ERJ6GEYJ271V	1/10W 270	5	
R301	ERJ6GEYJ103V	1/10W 10K	1	
R302	ERJ8GEYJ105V	1/8W 1M	1	
R303	ERJ8GEYJ102V	1/8W 1K	1	
R304	ERJ6GEYJ104V	1/10W 100K	1	
R308	ERJ6GEYJ103V	1/10W 10K	1	
R310	ERJ6GEYJ103V	1/10W 10K	1	
R311	ERJ8GEYJ233V	1/8W 22K	1	
R312	ERJ6GEYJ473V	1/10W 47K	1	
R313	ERJ6GEYJ103V	1/10W 10K	1	
R314, 15	ERJ6GEYJ472V	1/10W 4.7K	2	
R316	ERJ6GEYJ473V	1/10W 47K	1	
R317, 18	ERJ6GEYJ472V	1/10W 4.7K	2	
R319, 20	ERJ6GEYJ102Z	1/10W 1K	2	
R321-23	ERJ6GEYJ101Z	1/10W 100	3	
R324	ERJ8GEYJ101V	1/8W 100	1	
R326	ERJ8GEYR000V	CHIP JUMPER	1	
R327, 28	ERJ8GEYJ471V	1/8W 470	2	
R330, 31	ERJ8GEYJ103V	1/8W 10K	2	
R334	ERJ6GEYJ103V	1/10W 10K	1	
R335	ERJ8GEYJ472V	1/8W 4.7K	1	
R336	ERJ8GEYJ104V	1/8W 100K	1	
R337	ERJ6GEYJ471V	1/10W 470	1	
R338	ERJ6GEYJ101Z	1/10W 100	1	
R339	ERJ6GEYJ471V	1/10W 470	1	
R340	ERJ6GEYJ562V	1/10W 5.6K	1	
R341	ERJ6GEYJ473V	1/10W 47K	1	
R342, 43	ERJ8GEYJ104V	1/8W 100K	2	
R345	ERJ6GEYJ103V	1/10W 10K	1	
R346	ERJ6GEYR000Z	CHIP JUMPER	1	
R349	ERJ6GEYR000Z	CHIP JUMPER	1	
R401	ERJ6GEYJ102Z	1/8W 1K	1	
R403	ERJ6GEYJ683V	1/10W 68K	1	
R404	ERJ6GEYJ221V	1/10W 220	1	
R405	ERJ6GEYJ154V	1/10W 150K	1	
R406	ERJ6GEYJ155V	1/10W 1.5M	1	
R421	ERJ6GEYJ104V	1/10W 100K	1	
R422	ERJ6GEYJ331V	1/10W 330	1	
R423	ERJ6GEYJ470V	1/10W 47	1	
R424	ERJ6GEYJ105V	1/10W 1M	1	
R425, 26	ERJ6GEYJ101Z	1/10W 100	2	
R427	ERJ6GEYJ103V	1/10W 10K	1	
R501	ERJ6GEYR000Z	CHIP JUMPER	1	
R502	ERJ6GEYJ220V	1/10W 22	1	
R503	ERJ6GEYJ47V	1/10W 4.7	1	
R505	ERJ6GEYJ823V	1/10W 82K	1	
R506	ERJ6GEYJ102Z	1/10W 1K	1	
R507	ERJ6GEYJ103V	1/10W 10K	1	
R508	ERJ6GEYJ102Z	1/10W 1K	1	
R509	ERJ6GEYJ103V	1/10W 10K	1	
R510	ERJ6GEYJ474V	1/10W 470K	1	
R511	ERJ6GEYJ224V	1/10W 220K	1	
R513	ERJ6GEYJ682V	1/10W 6.8K	1	
R514	ERJ6GEYJ154V	1/10W 150K	1	
R515-17	ERJ6GEYJ103V	1/10W 10K	3	
R518	ERJ6GEYJ682V	1/10W 6.8K	1	

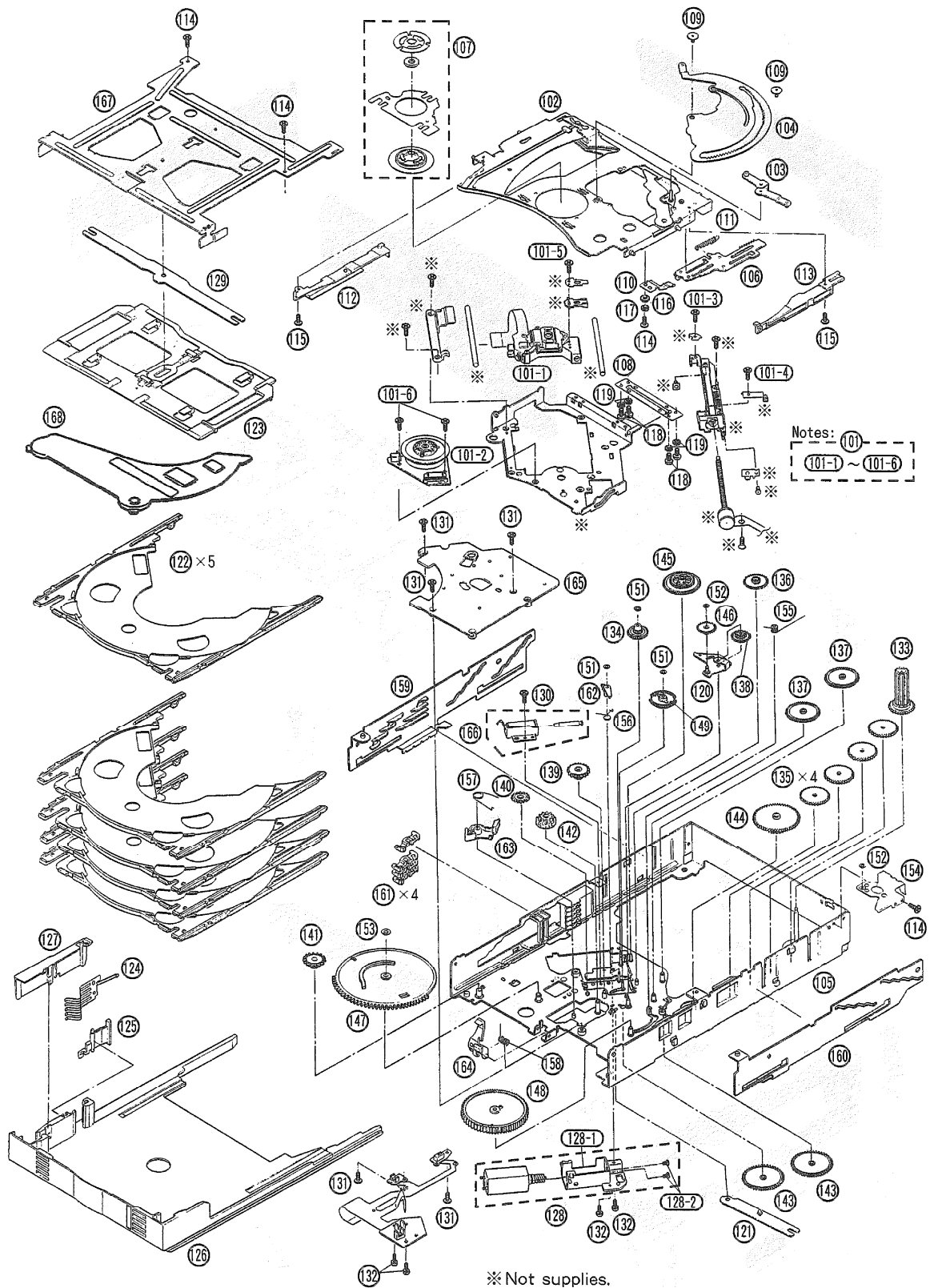
Ref. No.	Part No.	Part Name & Description	Pcs	Remarks
R601	ERJ6GEYJ151V	1/10W 150	1	
R602	ERJ6GEYJ221V	1/10W 220	1	
R603	ERJ6GEYJ103V	1/10W 10K	1	
R604, 05	ERJ6GEYJ221V	1/10W 220	2	
R607, 08	ERJ6GEYJ103V	1/10W 10K	2	
R610	ERJ6GEYJ153V	1/10W 15K	1	
R612	ERJ6GEYJ153V	1/10W 15K	1	
R614	ERJ6GEYJ101Z	1/10W 100	1	
R615-17	ERJ6GEYJ1R5V	1/10W 1.5	3	
R618	ERJ6GEYJ330V	1/10W 33	1	
R620	ERJ6GEYJ154V	1/10W 150K	1	
R621	ERJ6GEYJ563V	1/10W 56K	1	
R622	ERJ6GEYJ103V	1/10W 10K	1	
R623	ERJ6GEYJ472V	1/10W 4.7K	1	
R624	ERJ8GEYJ472V	1/8W 4.7K	1	
R625, 26	ERJ6GEYJ103V	1/10W 10K	2	
R628	ERJ6GEYJ472V	1/10W 4.7K	1	
R631	ERJ6GEYJ103V	1/10W 10K	1	
R632, 33	ERJ6GEYJ221V	1/10W 220	2	
R634	ERJ6GEYJ333V	1/10W 33K	1	
R635	ERJ8GEYJ333V	1/8W 33K	1	
R691	ERJ6GEYJ271V	1/10W 270	1	
R692	ERJ6GEYJ103V	1/10W 10K	1	
R693	ERJ6GEYJ471V	1/10W 470	1	
RJ601-11	ERJ6GEYR000Z	CHIP JUMPER	11	
RJ701-05	ERJ8GEYR000V	CHIP JUMPER	5	
RJ801-07	ERJ6GEYR000Z	CHIP JUMPER	7	
RJ901-05	ERJ8GEYR000V	CHIP JUMPER	5	
S1	RS2B003-U	SW	1	
S201-05	EVQPJH05K	SW	5	
S206-14	EVQPTD05Q	SW	9	
SA1	RFKZ0078	SERVICE KIT	1	
SA2	SZZP1054C	PLAYABILITY TEST DISC	1	
W601	REZ0961	FLAT CABLE (3P)	1	
X301	EF0EC4234T3	OSCILLATOR	1	
X402	RSXC33M8R01	OSCILLATOR	1	
Z1	GP1S93	PHOTO INTERRUPTER	1	
Z2, 3	GP1S94	PHOTO INTERRUPTER	2	

Cabinet Parts Location



※ Not supplies.

■ Loading Mechanism Parts Location



※ Not supplies.