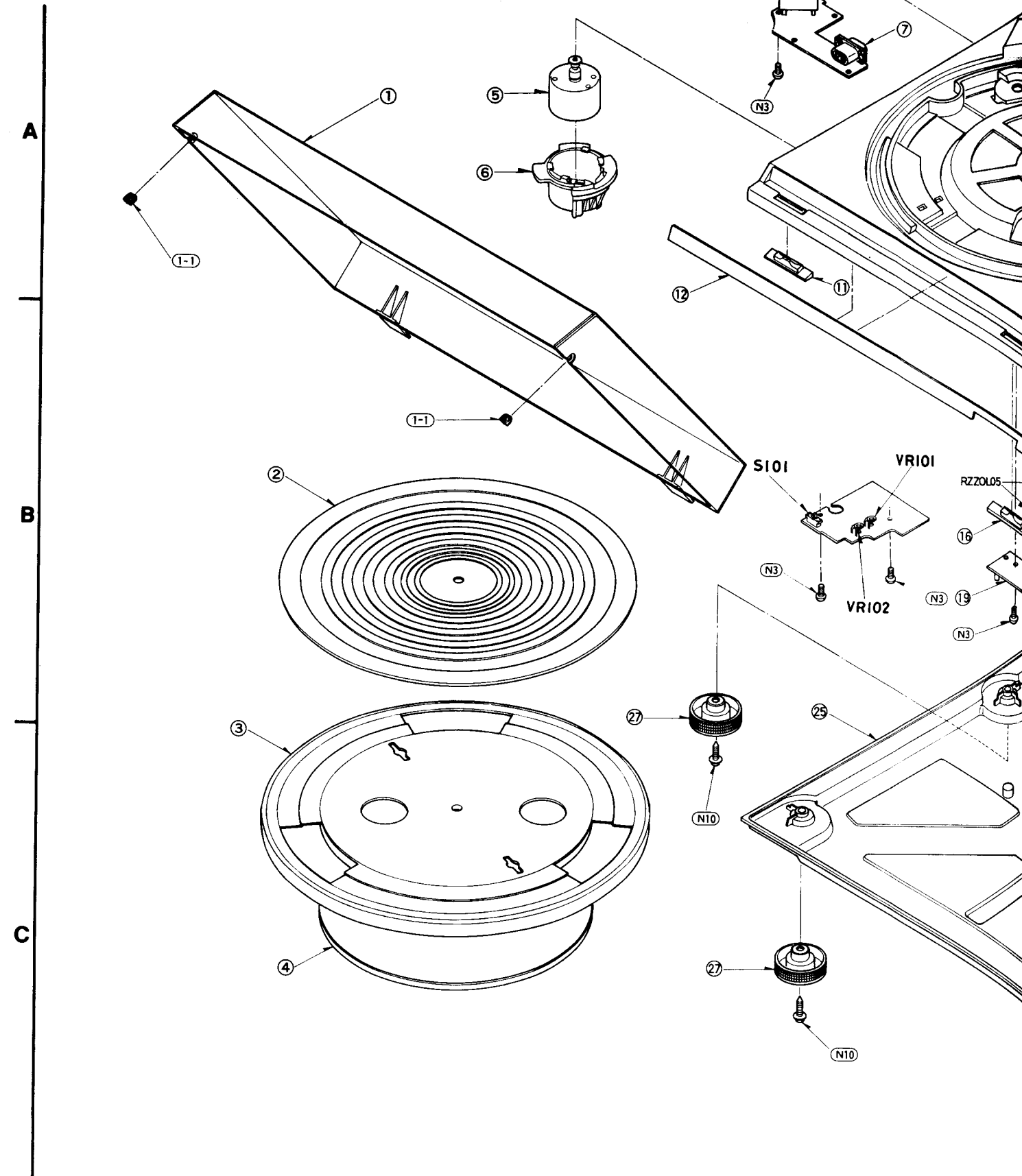


EXPLODED VIEW

• Cabinet and chassis parts



A	(1-1)	1	6 5	12	11	7	8
B		2	(1-1)	27	25	16 19	13
C		3 4		27			