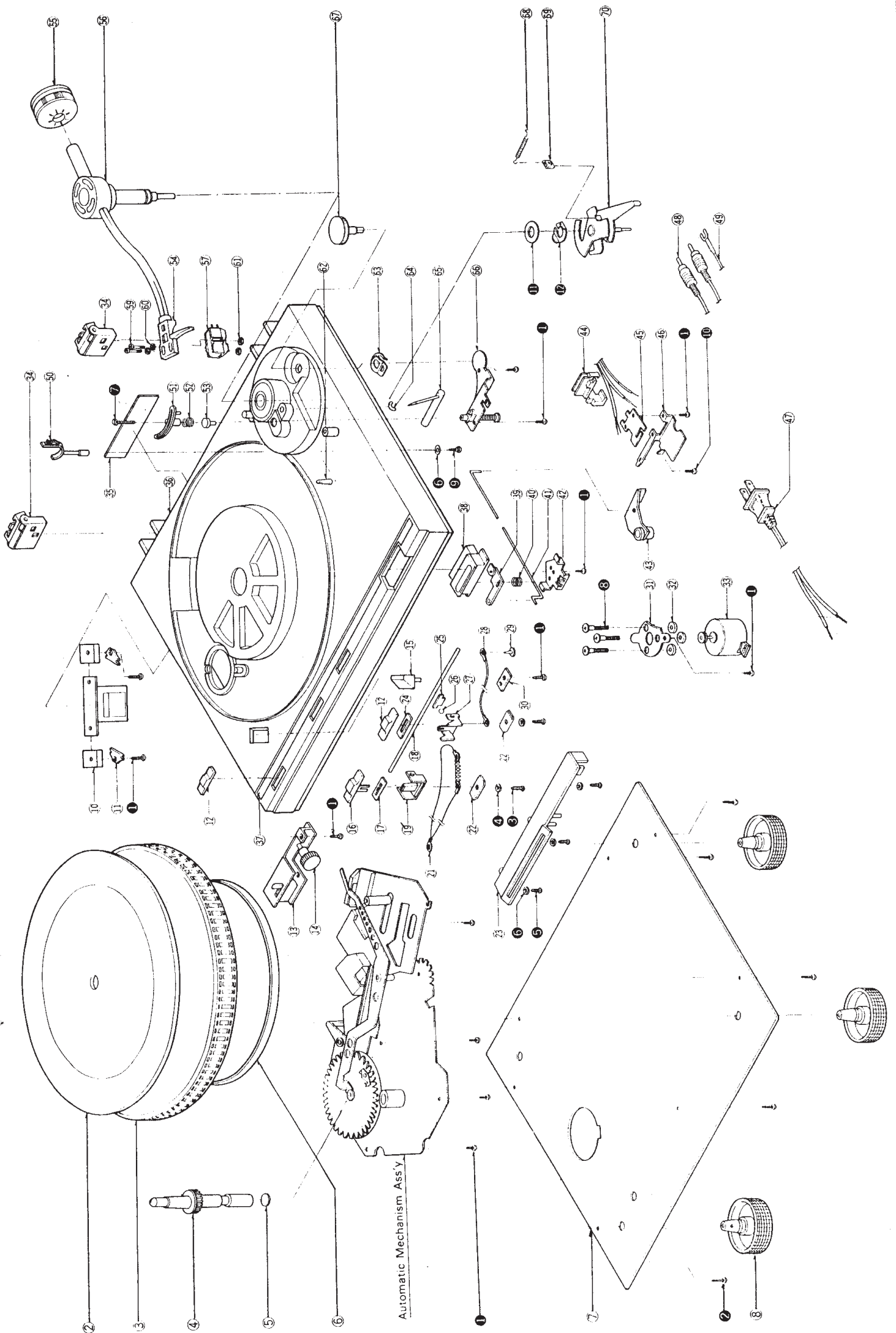


■ EXPLODED VIEWS



Automatic Mechanism Assy

EXPLODED VIEWS
AUTOMATIC MECHANISM ASS'Y

SL-B3/K SL-B3/K

