

SHARP PARTS GUIDE



Refrigerator-freezer

MODELS

SJ-PT640R-S/BE/WH

SJ-T640R-SL/BE/WH

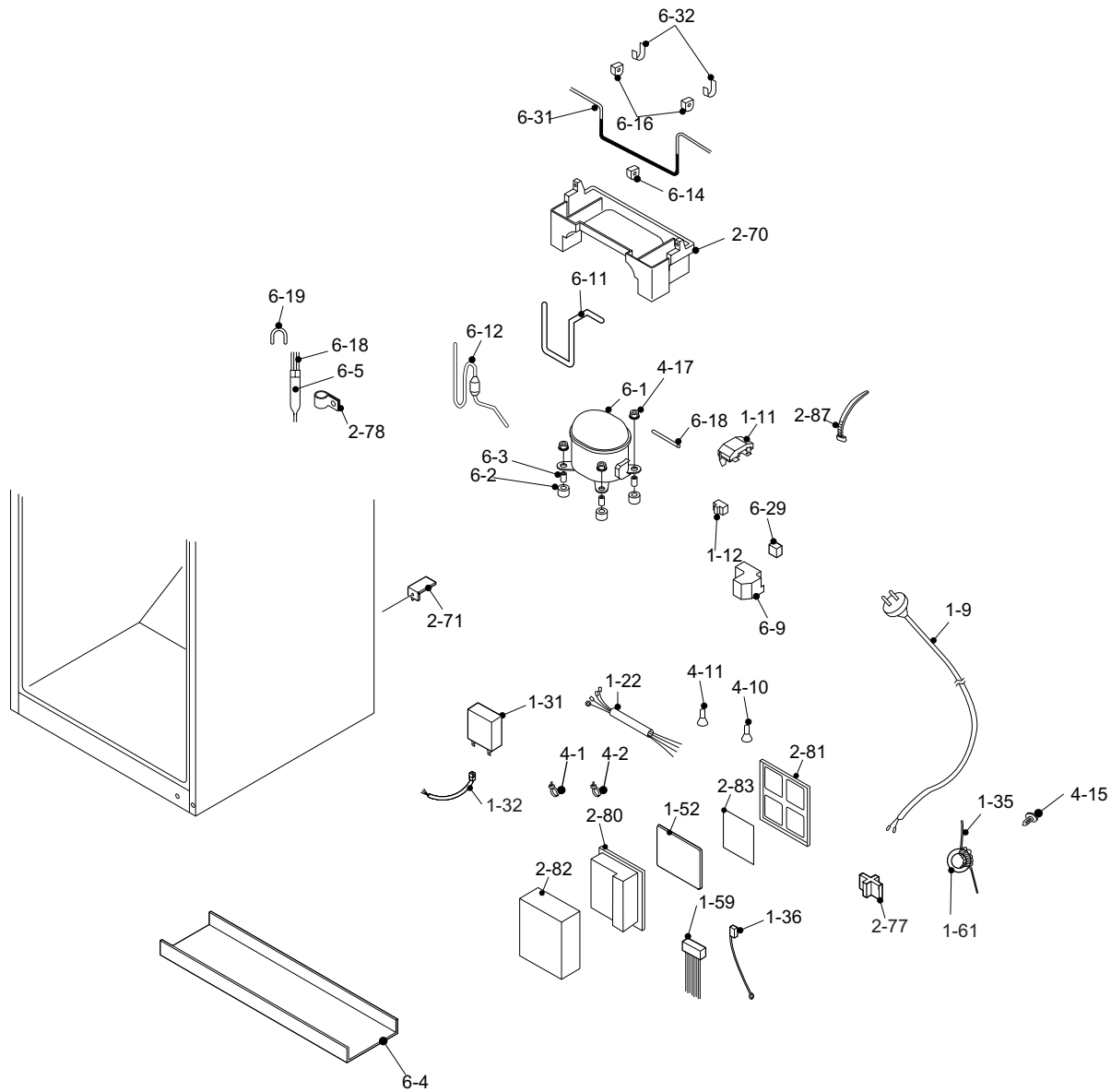
SJ-PT690R-S/BE/WH

SJ-T690R-SL/BE/WH

CONTENTS

- | | |
|--------------------------------|--------------------------------|
| [1] SJ-PT640R CYCLE PARTS | [12] SJ-T640R MECHANICAL PARTS |
| [2] SJ-PT640R MECHANICAL PARTS | [13] SJ-T640R DOOR PARTS |
| [3] SJ-PT640R DOOR PARTS | [14] SJ-T640R ATTACHMENT PARTS |
| [4] SJ-PT640R ATTACHMENT PARTS | [15] SJ-T640R OTHER PARTS |
| [5] SJ-PT640R OTHER PARTS | [16] SJ-T690R CYCLE PARTS |
| [6] SJ-PT690R CYCLE PARTS | [17] SJ-T690R MECHANICAL PARTS |
| [7] SJ-PT690R MECHANICAL PARTS | [18] SJ-T690R DOOR PARTS |
| [8] SJ-PT690R DOOR PARTS | [19] SJ-T690R ATTACHMENT PARTS |
| [9] SJ-PT690R ATTACHMENT PARTS | [20] SJ-T690R OTHER PARTS |
| [10] SJ-PT690R OTHER PARTS | ■ INDEX |
| [11] SJ-T640R CYCLE PARTS | |

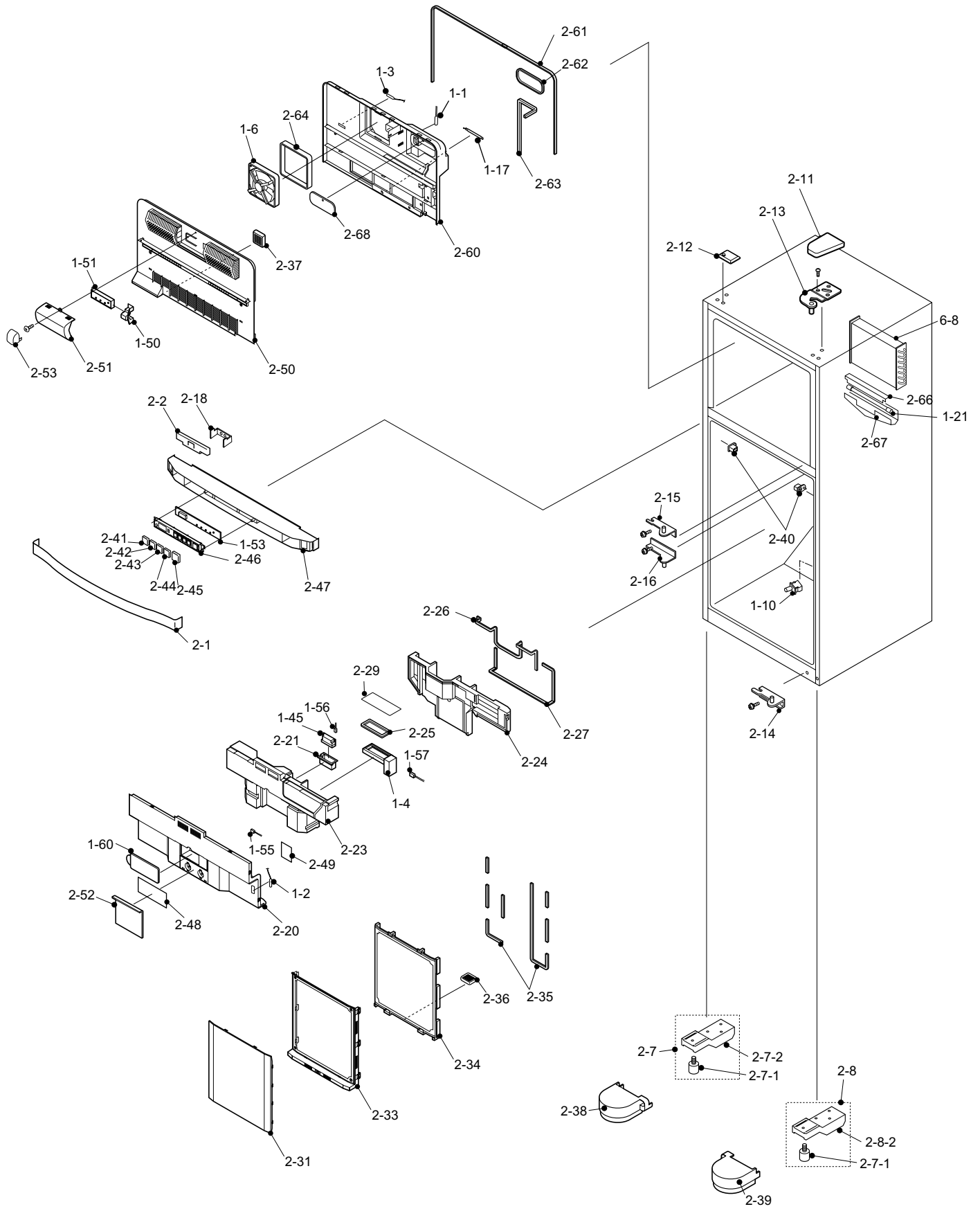
[1] SJ-PT640R CYCLE PARTS



NO.	PARTS CODE	PRICE RANK	NEW MARK	PART RANK	DESCRIPTION
[1] SJ-PT640R CYCLE PARTS					
1-9	QACC-A192CBZZ	AU			Source cord
1-11	RHOG-A189CBEZ	AZ			Protector
1-12	RSTT-A179CBZZ	AR			Ptc relay
1-22	FCNW-B014CBKZ	AS			Relay cord s ass'y
1-31	RC-EZA254CBZZ	AS			Running capacitor
1-32	QCNW-B021CBZZ	AC			Reray wire rc
1-35	QCNW-B294CBZZ	AG			Emi earth wire cr
1-36	QCNW-B283CBZZ	AG			Pwb earth wire
1-52	FPWB-A500CBKZ	BQ			Main pwb ass'y
1-59	QCNW-B259CBZZ	AP			Pwb-harness
1-61	RCILFA011CBZZ	AV			Emi core esd-r-38
2-70	USRA-A313CBFA	AP			Drain pan
2-71	LHLD-A797CBFZ	AE			Ev.pan holder
2-77	LHLD-A359CBFA	AE			T-box holder
2-78	LPLTMA399CBP0	AD			Dryer support
2-80	PBOX-A164CBFA	AM			Terminal box
2-81	PCOV-A396CBPZ	AF			Terminal cover
2-82	PCOVMA005CBYZ	AF			Terminal box cover
2-83	PSHEPA084CBZZ	AG			Terminal sheet
2-87	LBND-A018CBE0	AP			Fastening band a
4-1	LBND-A023CBE0	AC			L-band c
4-2	LBND-A019CBE0	AB			Nylon band
4-10	QTAN-A013CBE0	AH			Solderless term. a
4-11	QTAN-A012CBE0	AH			Solderless term. b

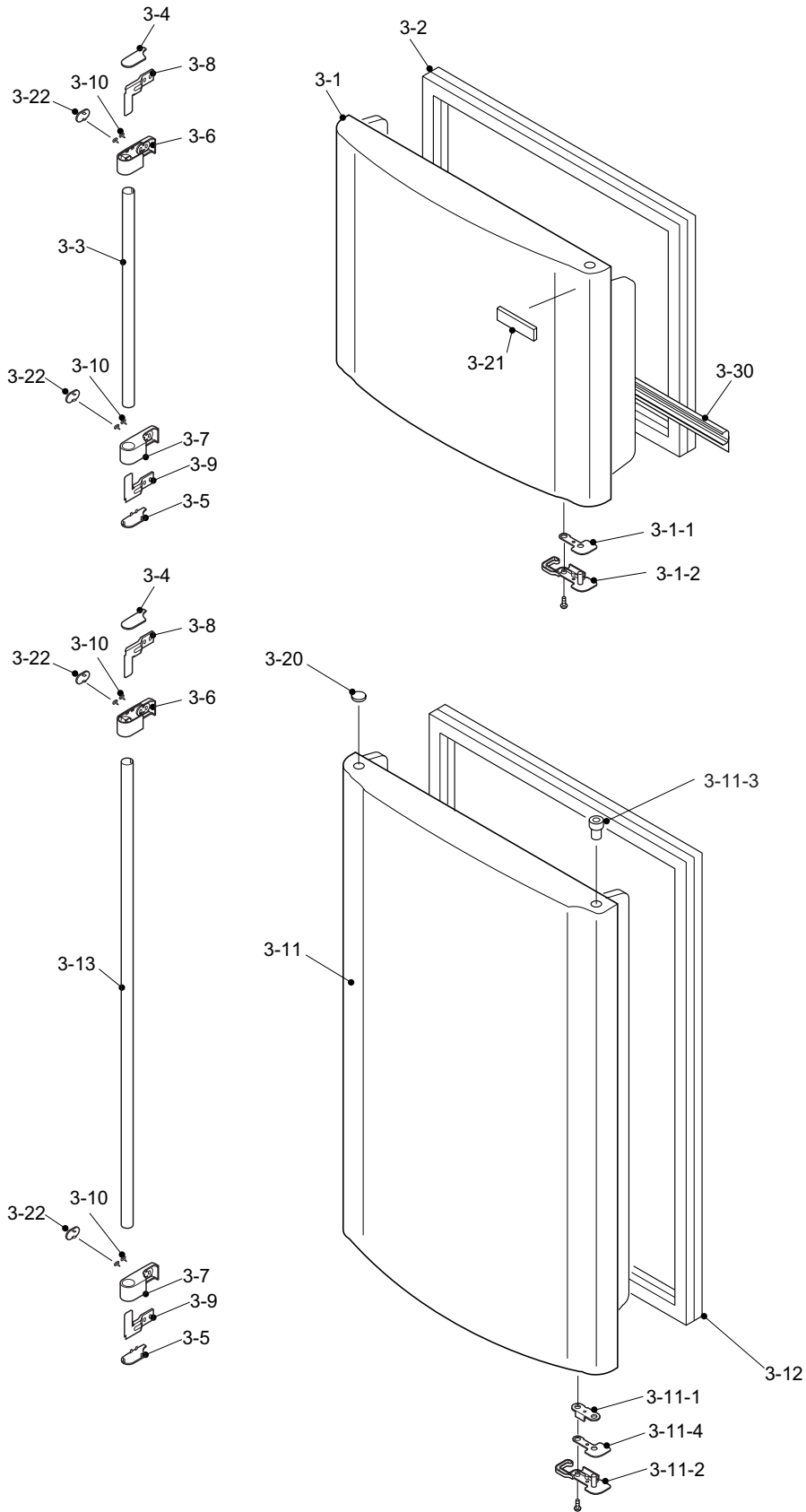
NO.	PARTS CODE	PRICE RANK	NEW MARK	PART RANK	DESCRIPTION
[1] SJ-PT640R CYCLE PARTS					
4-15	LX-BZA090CBZZ	AC			Special screw
4-17	LX-WZA035CBZZ	AB			Washer
6-1	PCMPLA296CBZZ	BZ			Compressor
6-2	PSPAGA054CBEZ	AH			Rubber grommet
6-3	PSPAFA047CBEZ	AE			Sleeve
6-4	FFRM-A152CBKZ	AH			Base frame ass'y
6-5	FDRY-A006CBK0	AX			Dryer ass'y
6-9	PCOVPA271CBEZ	AH			Terminal cover
6-11	PPIPCA624CBZZ	AM			S.p connector
6-12	PPIPCA625CBZZ	AL			Discharge connector
6-14	PGUM-A004CBF0	AH			Absorbent rubber a
6-16	PGUM-A003CBF0	AH			Absorbent rubber b
6-18	PPIPCA517CBZZ	AE			Chrg pipe hc s
6-29	LHLD-A465CBE0	AG			Cord clip
6-19	PPIPCA551CBZZ	AF			Drier connector
6-31	FPIPCA307CBKZ	AN			Eva pan pipe s ass'y
6-32	LANG-A058CBPZ	AC			Absorbent rubber clm

[2] SJ-PT640R MECHANICAL PARTS



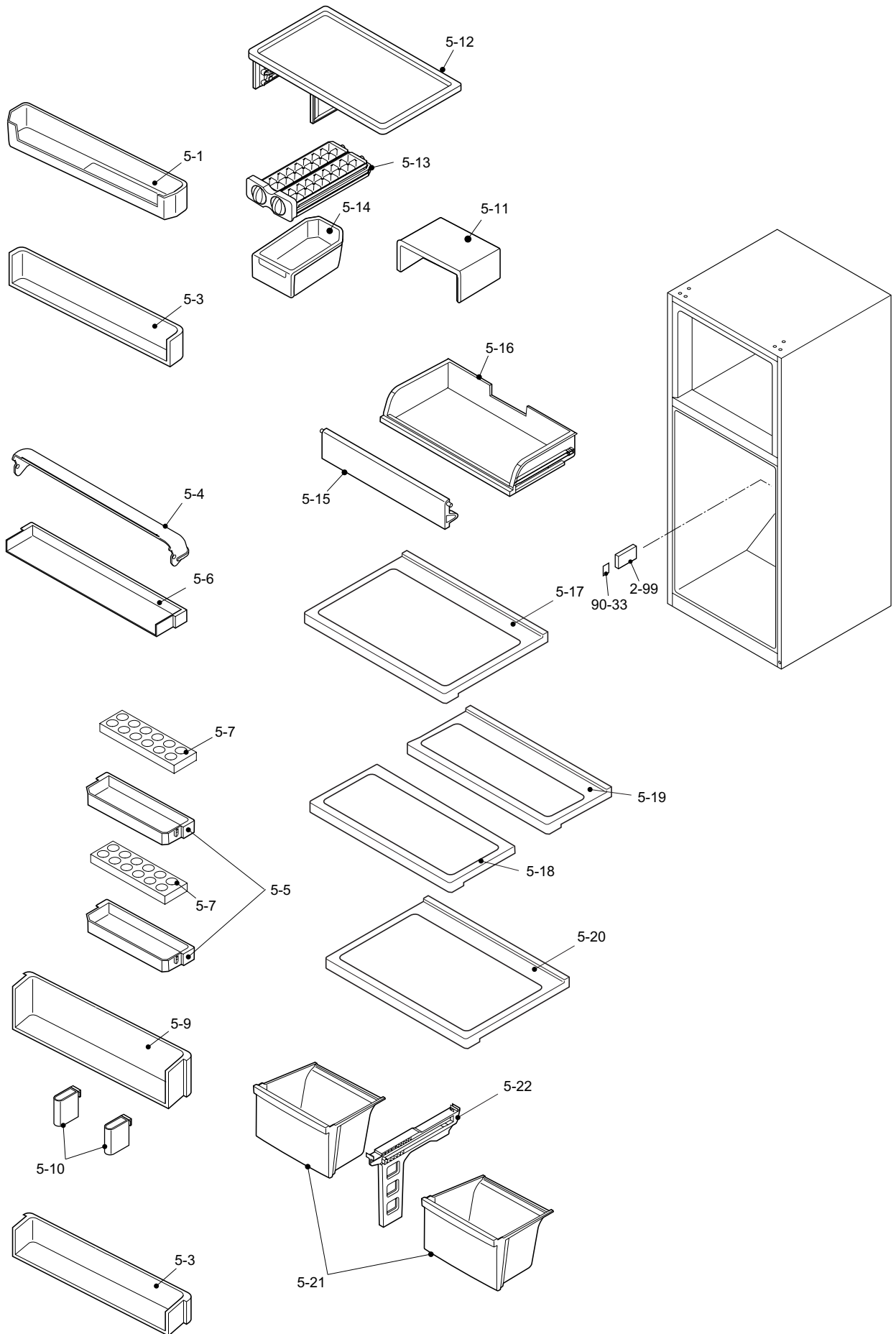
NO.	PARTS CODE	PRICE RANK	NEW MARK	PART RANK	DESCRIPTION
[2] SJ-PT640R MECHANICAL PARTS					
1-1	RH-HXA104CBZZ	AZ			F-thermistor
1-2	RH-HXA103CBZZ	AZ			R-thermistor
1-3	RH-HXA105CBZZ	AZ			Def-thermistor
1-4	DTHM-A042CBKZ	AY			Damper ass'y
1-6	RMOTRA096CBZZ	BE			F fan motor
1-10	QSW-PA097CBZA	AG			Door switch
1-17	FFS-TA100CBKZ	AN			Fuse ass'y
1-21	FHETBA219CBZZ	BD			Def. heater ass'y
1-45	FTRN-A014CBKZ	BD			Ionaizer-k
1-50	LHLD-A801CBFA	AE			F-lamp holder
1-51	DPWB-A135CBKZ	BR			Led lamp pwb l ass'y
1-53	FPWB-A499CBKZ	BG			Led pwb ass'y
1-55	QCNW-B256CBZZ	AP			Lamp harness
1-56	QCNW-B257CBZZ	AP			Plasma harness
1-57	QCNW-B258CBZZ	AP			Damper harness
1-60	DPWB-A150CBKZ	AY			Rled lamp pwb l ass'y
2-1	GCOVPA237CBRA	AU			Control panel
2-2	GCOVPA236CBFA	AE			C-hinge slit cover
2-7	FLEGPA077CBKZ	AQ			Leg holder l ass'y
2-7-1	FAJS-A013CBK0	AE			Adjustable leg ass'y
2-7-2	LHLD-A533CBPZ	AL			Leg holder l
2-8	FLEGPA078CBKZ	AQ			Leg holder r ass'y
2-8-2	LHLD-A534CBPZ	AP			Leg holder r
2-11	GCOV-A310CBFA	AE			Upper hinge cover [S]
2-11	GCOV-A310CBFB	AD			Upper hinge cover [BE]
2-11	GCOV-A310CBFC	AE			Upper hinge cover [WH]
2-12	GCOV-A192CBFE	AC			Top cover [WH]
2-12	GCOV-A192CBFH	AE			Top cover [S]
2-12	GCOV-A192CBFJ	AD			Top cover [BE]
2-13	DHNG-A602CBMZ	AG			Upper hinge r ass'y
2-14	DHNG-A603CBMZ	AG			Bottom hinge r ass'y
2-15	DHNG-A604CBMZ	AG			Center hinge rt ass'y
2-16	DHNG-A605CBMZ	AG			Center hinge rb ass'y
2-18	LHLD-A825CBPZ	AE			C-box angler
2-20	GCOVPA238CBFA	AK			R-c box cover
2-21	LHLD-A714CBFZ	AR			Plasma holder
2-23	PGID-A172CBFZ	AK			R air guider a
2-24	PGID-A173CBFZ	AK			R air guider b
2-25	PSEL-C669CBZZ	AD			A-sealer rc-d
2-26	PSEL-C955CBZZ	AE			Ra sealer a
2-27	PSEL-C956CBZZ	AE			Ra sealer b
2-29	PSEL-C958CBZZ	AH			A-sealer damper
2-31	LPLTMA822CBPZ	AK			AI panel
2-33	MLOV-A065CBFA	AR			R shower duct
2-34	PGID-A176CBFZ	AG			R-shower ins.a
2-35	PSEL-C968CBZZ	AE			A-sealer r-shower-d
2-36	PFIL-A047CBEZ	AC			Deodorizer
2-37	PFIL-A050CBEZ	AM			Deodorizer
2-38	GCOVPA234CBFA	AE			Leg cover l
2-39	GCOVPA235CBFA	AE			Leg cover r
2-40	LSTPPA161CBFA	AE			Case stopper
2-41	JBTN-A045CBRA	AF			Button fr
2-42	JBTN-A046CBRA	AF			Button dw
2-43	JBTN-A047CBRA	AF			Button up
2-44	JBTN-A048CBRA	AF			Button dc
2-45	JBTN-A049CBRA	AF			Button pl
2-46	LHLD-A802CBFA	AE			Led pwb holder
2-47	GDAI-A084CBFA	AR			Control box base
2-48	TLAB-B605CBRA	AE			Mask label
2-49	PSEL-D085CBZZ	AD			R thermistor sealer
2-50	HGRL-A269CBFA	AU			Fan louver
2-51	PCOV-A391CBRA	AH			F lamp cover
2-52	PCOV-A392CBRA	AG			R lamp cover
2-53	GCOVAA056CBFA	AE			Screw cover
2-60	GCOV-A311CBFZ	AS			E.v cover
2-61	PSEL-C959CBZZ	AE			E.v cover sealer a
2-62	PSEL-C960CBZZ	AE			E.v cover sealer b
2-63	PSEL-C961CBZZ	AH			E.v cover sealer c
2-64	PSEL-C962CBZZ	AE			E.v cover sealer d
2-66	PSHEMA359CBTZ	AP			Heater cover
2-67	LPLTMA826CBPZ	AE			Drain support
2-68	GCOVPA239CBFA	AT			Ev terminal cover
6-8	PEVA-A180CBZZ	BE			Evaporator

[3] SJ-PT640R DOOR PARTS



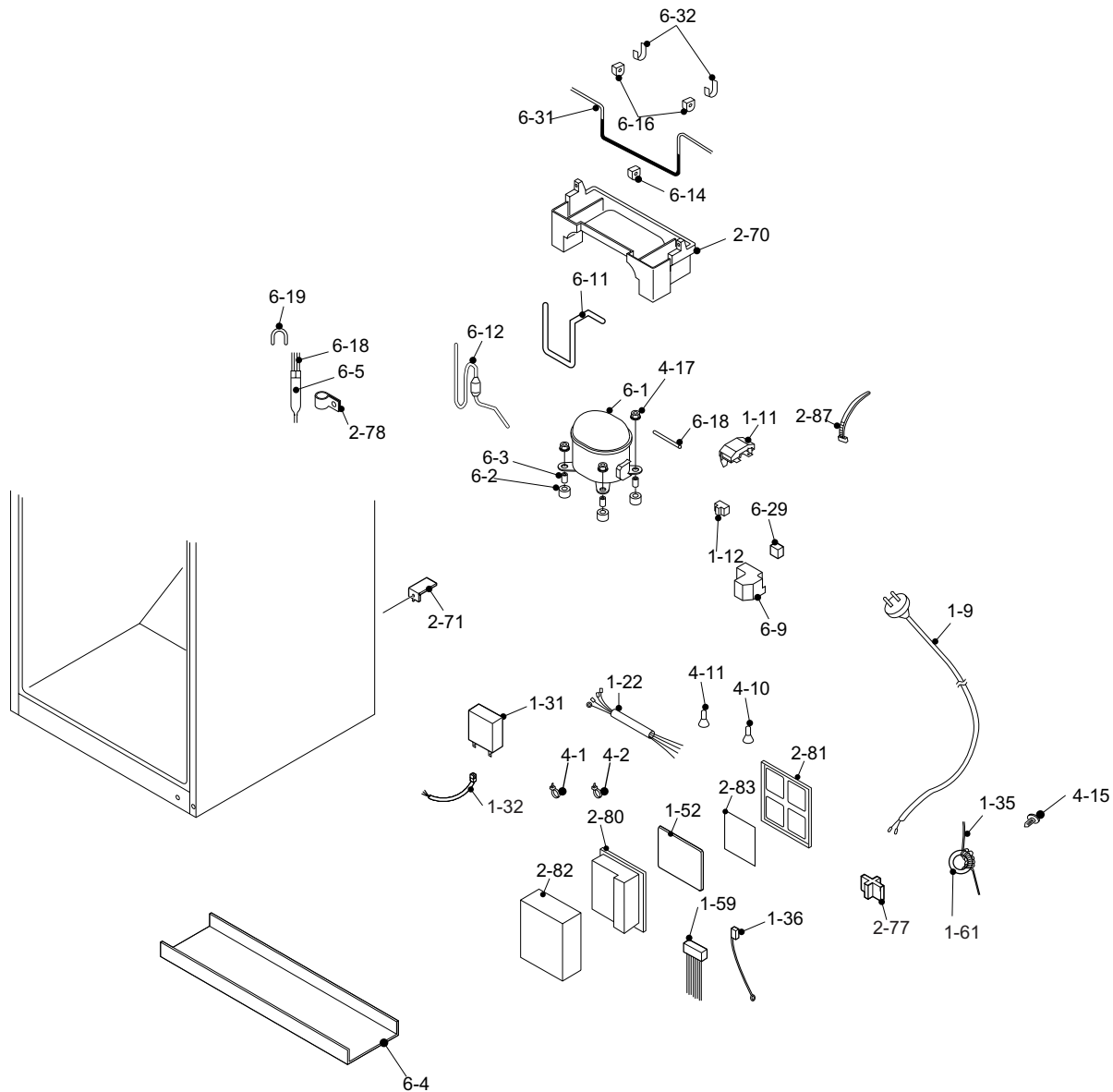
NO.	PARTS CODE	PRICE RANK	NEW MARK	PART RANK	DESCRIPTION
[3] SJ-PT640R DOOR PARTS					
3-1	FDORFB986CBKZ	BT			F-door ass'y [S]
3-1	FDORFB989CBKZ	BT			F-door ass'y [BE]
3-1	FDORFB990CBKZ	BQ			F-door ass'y [WH]
3-1-1	LSTPMA028CBMZ	AE			F-door stopper r
3-1-2	LSTPPA158CBFA	AE			Fd-stopper spring r
3-2	FPACGA470CBKZ	AX			F-door packing
3-3	JHNDPA258CBPA	AK			F door handle
3-4	HDECQA544CBTA	AF			Hd cover t
3-5	HDECQA545CBTA	AF			Hd cover b
3-6	LPLTPA478CBTA	AH			Hd base t
3-7	LPLTPA479CBTA	AH			Hd base b
3-8	LPLTPA480CBPZ	AF			Hd support t
3-9	LPLTPA481CBPZ	AF			Hd support b
3-10	LX-BZA091CBZZ	AD			Handle screw
3-11	FDORRB894CBKZ	BT			R-door ass'y [S]
3-11	FDORRB900CBKZ	BU			R-door ass'y [BE]
3-11	FDORRB901CBKZ	BU			R-door ass'y [WH]
3-11-1	LSTP-A064CBMZ	AE			R-door stopper r
3-11-2	LSTPPA159CBFA	AE			Rd-stopper spring r
3-11-3	NBRGPA022CBFA	AC			Nylon bearing 3s
3-11-4	LPLTMA846CBMZ	AF			Rd-support
3-12	FPACGA472CBKZ	AY			R-door packing
3-13	JHNDPA262CBPZ	AF			R door handle
3-20	PCAP-A055CBFF	AE			Bearing cap [S]
3-20	PCAP-A055CBFG	AD			Bearing cap [BE]
3-20	PCAP-A055CBFH	AC			Bearing cap [WH]
3-21	HBDGDB006CBZA	AZ			Badge
3-22	GCOVAA052CBTA	AE			Screw cover
3-30	PPACGA268CBZA	AL			F-sub. packing

[4] SJ-PT640R ATTACHMENT PARTS



NO.	PARTS CODE	PRICE RANK	NEW MARK	PART RANK	DESCRIPTION
[4] SJ-PT640R ATTACHMENT PARTS					
2-99	FPLTPA107CBKZ	AM			Temp.meter ass'y
5-1	FPOK-A264CBKZ	AS			F-door pocket ass'y
5-3	UPOKPA308CBFA	AP			Rf door pocket
5-4	GDORPA086CBRA	AN			R door pocket cover
5-5	UPOKPA309CBFA	AM			Utility pocket
5-6	UPOKPA310CBFA	AP			R door pocket
5-7	UTNA-A282CBFA	AH			Egg tray
5-9	UPOKPA312CBFA	AU			Bottle pocket
5-10	UPOKPA251CBFB	AF			Tube stand (1øçX)
5-11	UTNA-A450CBFA	AP			F shelf s
5-12	UTNA-A449CBFA	AZ			F shelf
5-13	FSRA-A273CBYZ	AR			Ice cube maker
5-14	UYOK-A579CBFA	AM			Ice storage box
5-15	GDORPA083CBRA	AN			Fresh door
5-16	UYOK-A577CBFA	AZ			Fresh case
5-17	FTNA-A464CBKZ	AY			R glass shelf ass'y
5-18	FTNA-A465CBKZ	AY			R glass shelf sf asy
5-19	FTNA-A466CBKZ	AY			R glass shelf sb asy
5-20	FTNA-A463CBKZ	AY			V glass shelf ass'y
5-21	UYOK-A578CBFA	AZ			Vegetable case
5-22	LSTYPA047CBFA	AN			Partition v
90-33	TLAB-B220CBRZ	AE			Temp.caution label
[5] SJ-PT640R OTHER PARTS					
90-1	TINS-A825CBRZ	AM			Operation manual
90-3	SPAKCA343CBZZ	AZ			Packing case 51
90-6	CPADBA108CBKZ	BA			Bottom pad ass'y
90-7	CPADBA109CBKZ	AP			Top pad ass'y
90-12	TLAB-B547CBRZ	AG			Energy label
90-21	TLAB-B396CBRZ	AG			Caution label rof-hc
90-34	TLAB-A985CBRZ	AF			Two star label
90-35	TLAB-A811CBR0	AF			4-star label

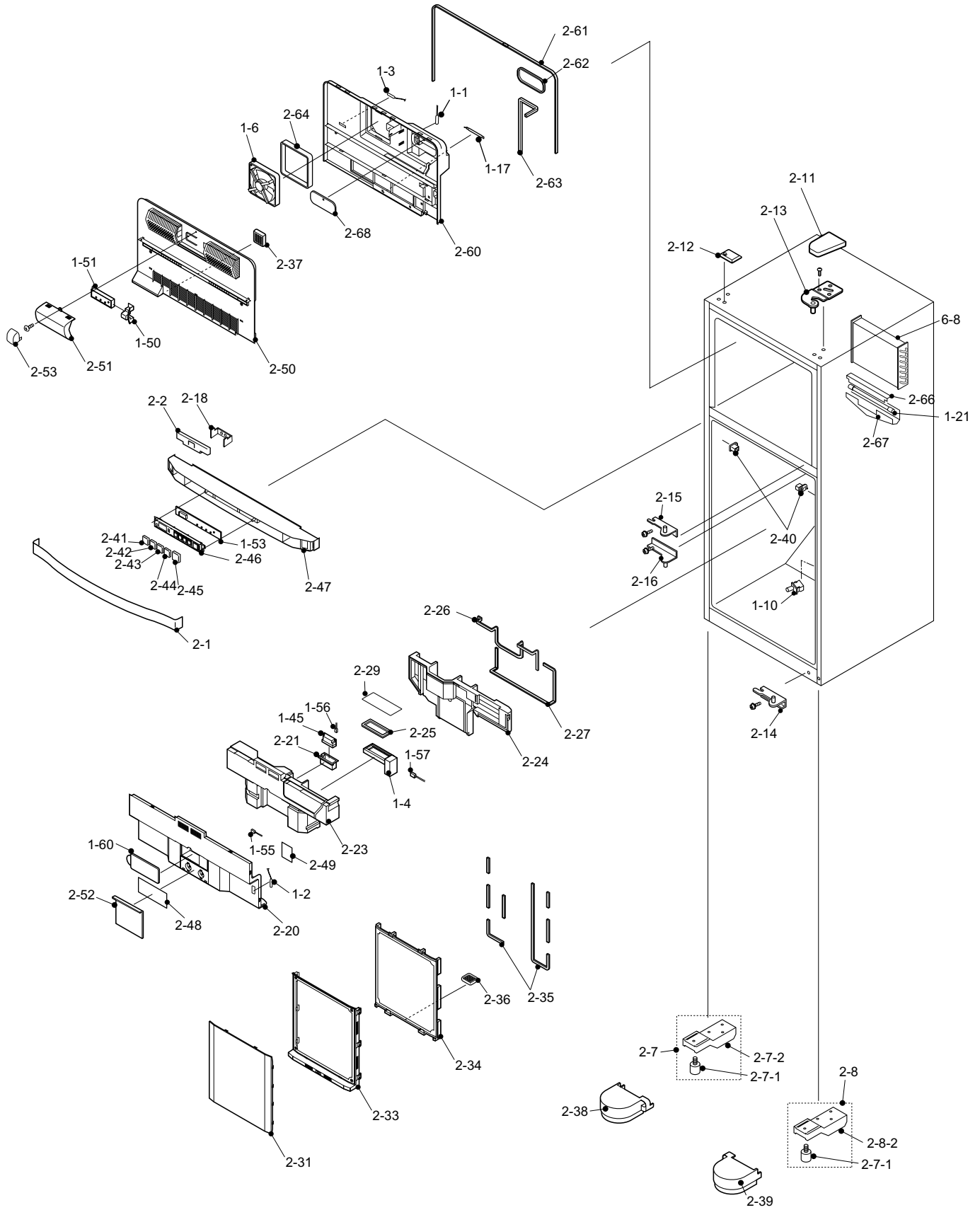
[6] SJ-PT690R CYCLE PARTS



NO.	PARTS CODE	PRICE RANK	NEW MARK	PART RANK	DESCRIPTION
[6] SJ-PT690R CYCLE PARTS					
1-9	QACC-A192CBZZ	AU			Source cord
1-11	RHOG-A189CBEZ	AZ			Protector
1-12	RSTT-A179CBZZ	AR			Ptc relay
1-22	FCNW-B014CBKZ	AS			Relay cord s ass'y
1-31	RC-EZA254CBZZ	AS			Running capacitor
1-32	QCNW-B021CBZZ	AC			Relay wire rc
1-35	QCNW-B294CBZZ	AG			Emi earth wire cr
1-36	QCNW-B283CBZZ	AG			Pwb earth wire
1-52	FPWB-A500CBKZ	BQ			Main pwb ass'y
1-59	QCNW-B259CBZZ	AP			Pwb-harness
1-61	RCILFA011CBZZ	AV			Emi core esd-r-38
2-70	USRA-A313CBFA	AP			Drain pan
2-71	LHLD-A797CBFZ	AE			Ev.pan holder
2-77	LHLD-A359CBFA	AE			T-box holder
2-78	LPLTMA399CBP0	AD			Dryer support
2-80	PBOX-A164CBFA	AM			Terminal box
2-81	PCOV-A396CBPZ	AF			Terminal cover
2-82	PCOVMA005CBYZ	AF			Terminal box cover
2-83	PSHEPA084CBZZ	AG			Terminal sheet
2-87	LBND-A018CBE0	AP			Fastening band a
4-1	LBND-A023CBE0	AC			L-band c
4-2	LBND-A019CBE0	AB			Nylon band
4-10	QTAN-A013CBE0	AH			Solderless term. a
4-11	QTAN-A012CBE0	AH			Solderless term. b

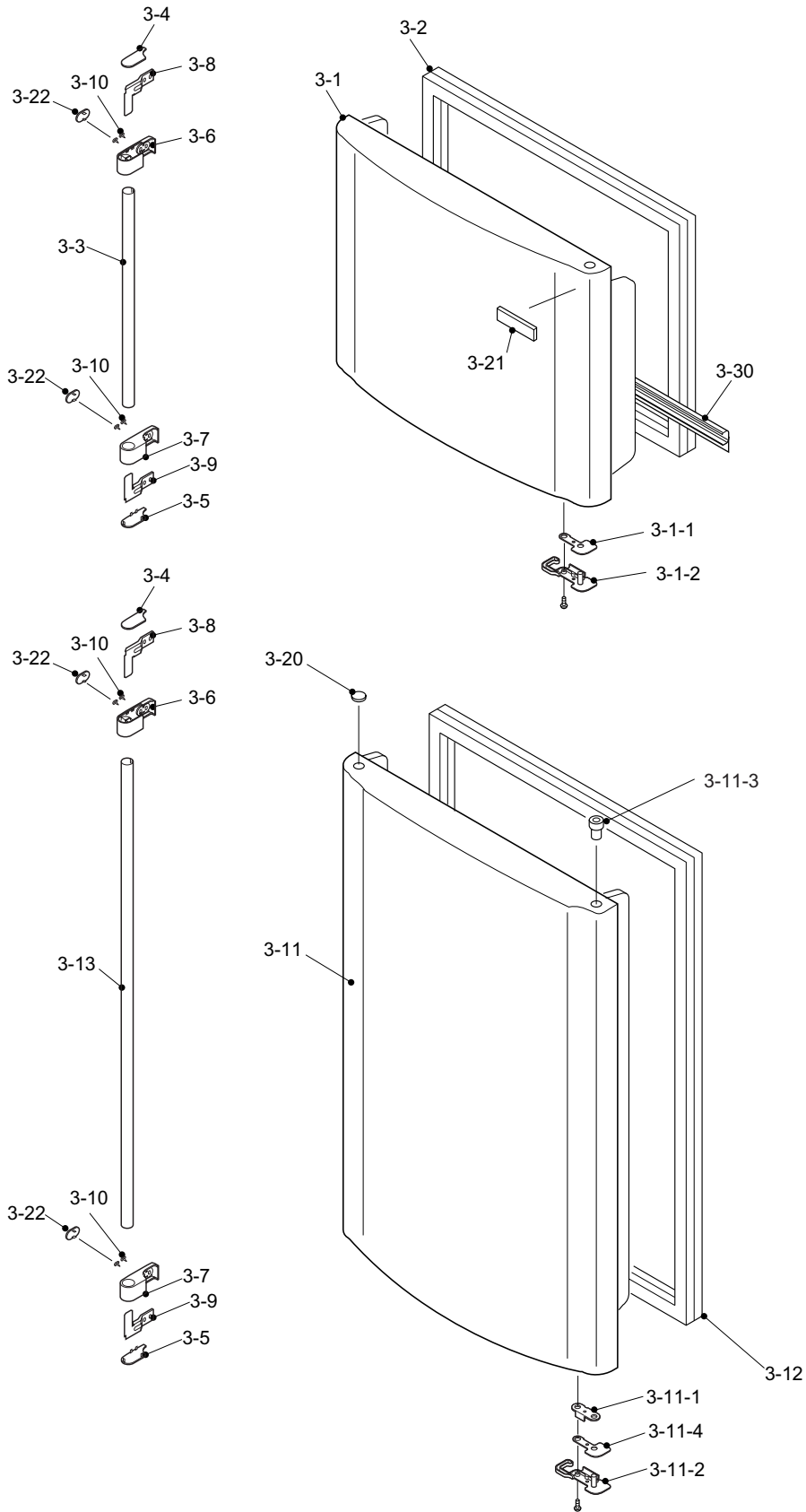
NO.	PARTS CODE	PRICE RANK	NEW MARK	PART RANK	DESCRIPTION
[6] SJ-PT690R CYCLE PARTS					
4-15	LX-BZA090CBZZ	AC			Special screw
4-17	LX-WZA035CBZZ	AB			Washer
6-1	PCMPLA296CBZZ	BZ			Compressor
6-2	PSPAGA054CBEZ	AH			Rubber grommet
6-3	PSPAFA047CBEZ	AE			Sleeve
6-4	FFRM-A152CBKZ	AH			Base frame ass'y
6-5	FDRY-A006CBK0	AX			Dryer ass'y
6-9	PCOVPA271CBEZ	AH			Terminal cover
6-11	PPIPCA624CBZZ	AM			S.p connector
6-12	PPIPCA625CBZZ	AL			Discharge connector
6-14	PGUM-A004CBF0	AH			Absorbent rubber a
6-16	PGUM-A003CBF0	AH			Absorbent rubber b
6-18	PPIPCA517CBZZ	AE			Chrg pipe hc s
6-19	PPIPCA551CBZZ	AF			Drier connector
6-29	LHLD-A465CBE0	AG			Cord clip
6-31	FPIPCA307CBKZ	AN			Eva pan pipe s ass'y
6-32	LANG-A058CBPZ	AC			Absorbent rubber clm

[7] SJ-PT690R MECHANICAL PARTS



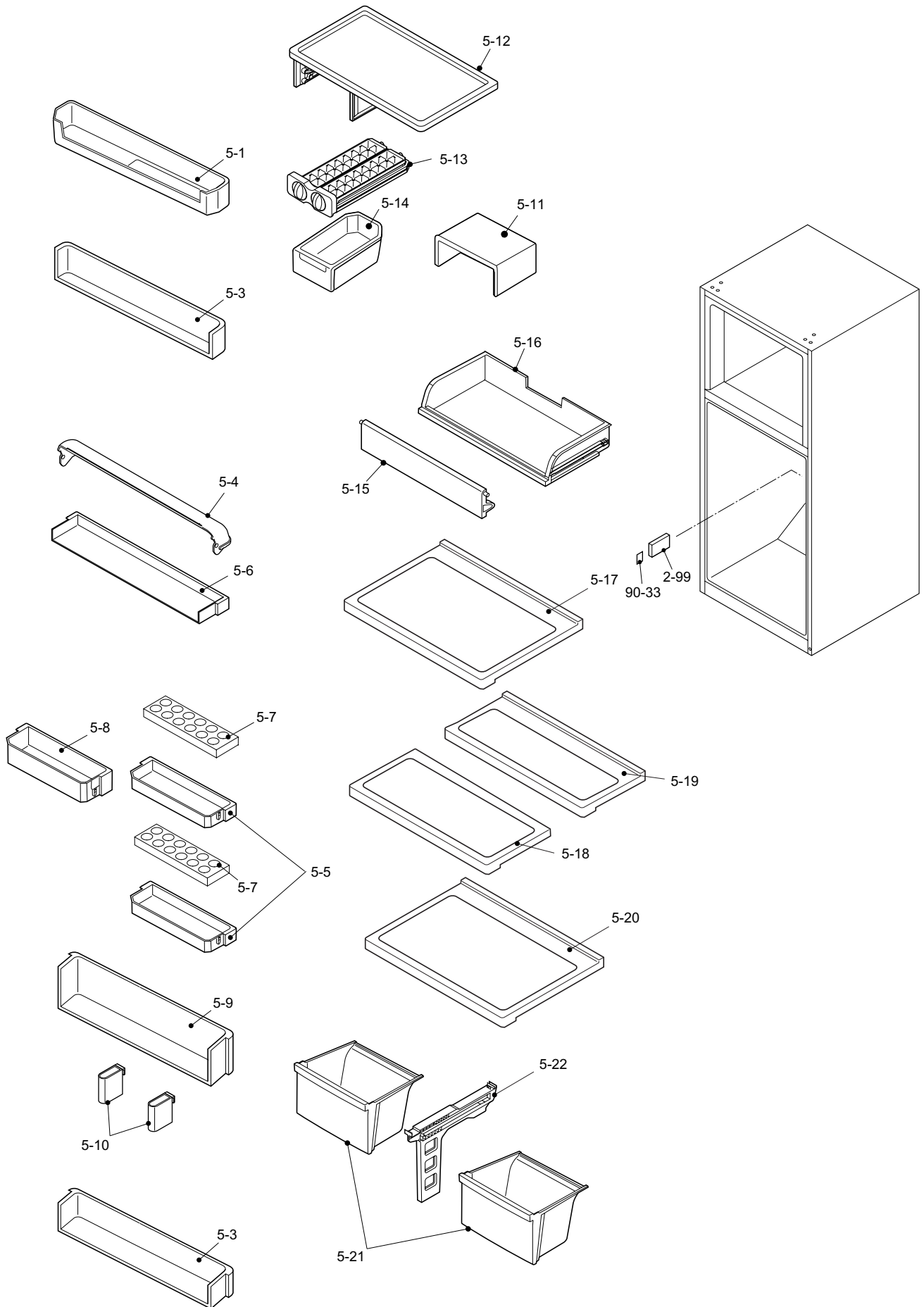
NO.	PARTS CODE	PRICE RANK	NEW MARK	PART RANK	DESCRIPTION
[7] SJ-PT690R MECHANICAL PARTS					
1-1	RH-HXA104CBZZ	AZ			F-thermistor
1-2	RH-HXA103CBZZ	AZ			R-thermistor
1-3	RH-HXA105CBZZ	AZ			Def-thermistor
1-4	DTHM-A042CBKZ	AY			Damper ass'y
1-6	RMOTRA096CBZZ	BE			F fan motor
1-10	QSW-PA097CBZA	AG			Door switch
1-17	FFS-TA100CBKZ	AN			Fuse ass'y
1-21	FHETBA219CBZZ	BD			Def. heater ass'y
1-45	FTRN-A014CBKZ	BD			Ionaizer-k
1-50	LHLD-A801CBFA	AE			F-lamp holder
1-51	DPWB-A135CBKZ	BR			Led lamp pwb l ass'y
1-53	FPWB-A499CBKZ	BG			Led pwb ass'y
1-55	QCNW-B256CBZZ	AP			Lamp harness
1-56	QCNW-B257CBZZ	AP			Plasma harness
1-57	QCNW-B258CBZZ	AP			Damper harness
1-60	DPWB-A150CBKZ	AY			Rled lamp pwb l ass'y
2-1	GCOVPA237CBRA	AU			Control panel
2-2	GCOVPA236CBFA	AE			C-hinge slit cover
2-7	FLEGPA077CBKZ	AQ			Leg holder l ass'y
2-7-1	FAJS-A013CBK0	AE			Adjustable leg ass'y
2-7-2	LHLD-A533CBPZ	AL			Leg holder l
2-8	FLEGPA078CBKZ	AQ			Leg holder r ass'y
2-8-2	LHLD-A534CBPZ	AP			Leg holder r
2-11	GCOV-A310CBFA	AE			Upper hinge cover [S]
2-11	GCOV-A310CBFB	AD			Upper hinge cover [BE]
2-11	GCOV-A310CBFC	AE			Upper hinge cover [WH]
2-12	GCOV-A192CBFE	AC			Top cover [WH]
2-12	GCOV-A192CBFH	AE			Top cover [S]
2-12	GCOV-A192CBFJ	AD			Top cover [BE]
2-13	DHNG-A602CBMZ	AG			Upper hinge r ass'y
2-14	DHNG-A603CBMZ	AG			Bottom hinge r ass'y
2-15	DHNG-A604CBMZ	AG			Center hinge rt ass'y
2-16	DHNG-A605CBMZ	AG			Center hinge rb ass'y
2-18	LHLD-A825CBPZ	AE			C-box angler
2-20	GCOVPA238CBFA	AK			R-c box cover
2-21	LHLD-A714CBFZ	AR			Plasma holder
2-23	PGID-A172CBFZ	AK			R air guider a
2-24	PGID-A173CBFZ	AK			R air guider b
2-25	PSEL-C669CBZZ	AD			A-sealer rc-d
2-26	PSEL-C955CBZZ	AE			Ra sealer a
2-27	PSEL-C956CBZZ	AE			Ra sealer b
2-29	PSEL-C958CBZZ	AH			A-sealer damper
2-31	LPLTMA818CBPZ	AG			AI panel
2-33	MLOV-A064CBFA	AR			R shower duct
2-34	PGID-A174CBFZ	AH			R-shower ins.a
2-35	PSEL-C966CBZZ	AE			A-sealer r-shower-d
2-36	PFIL-A047CBEZ	AC			Deodorizer
2-37	PFIL-A050CBEZ	AM			Deodorizer
2-38	GCOVPA234CBFA	AE			Leg cover l
2-39	GCOVPA235CBFA	AE			Leg cover r
2-40	LSTPPA161CBFA	AE			Case stopper
2-41	JBTN-A045CBRA	AF			Button fr
2-42	JBTN-A046CBRA	AF			Button dw
2-43	JBTN-A047CBRA	AF			Button up
2-44	JBTN-A048CBRA	AF			Button dc
2-45	JBTN-A049CBRA	AF			Button pl
2-46	LHLD-A802CBFA	AE			Led pwb holder
2-47	GDAI-A084CBFA	AR			Control box base
2-48	TLAB-B605CBRA	AE			Mask label
2-49	PSEL-D085CBZZ	AD			R thermistor sealer
2-50	HGRL-A269CBFA	AU			Fan louver
2-51	PCOV-A391CBRA	AH			F lamp cover
2-52	PCOV-A392CBRA	AG			R lamp cover
2-53	GCOVAA056CBFA	AE			Screw cover
2-60	GCOV-A311CBFZ	AS			E.v cover
2-61	PSEL-C959CBZZ	AE			E.v cover sealer a
2-62	PSEL-C960CBZZ	AE			E.v cover sealer b
2-63	PSEL-C961CBZZ	AH			E.v cover sealer c
2-64	PSEL-C962CBZZ	AE			E.v cover sealer d
2-66	PSHEMA359CBTZ	AP			Heater cover
2-67	LPLTMA826CBPZ	AE			Drain support
2-68	GCOVPA239CBFA	AT			Ev terminal cover
6-8	PEVA-A180CBZZ	BE			Evaporator

[8] SJ-PT690R DOOR PARTS



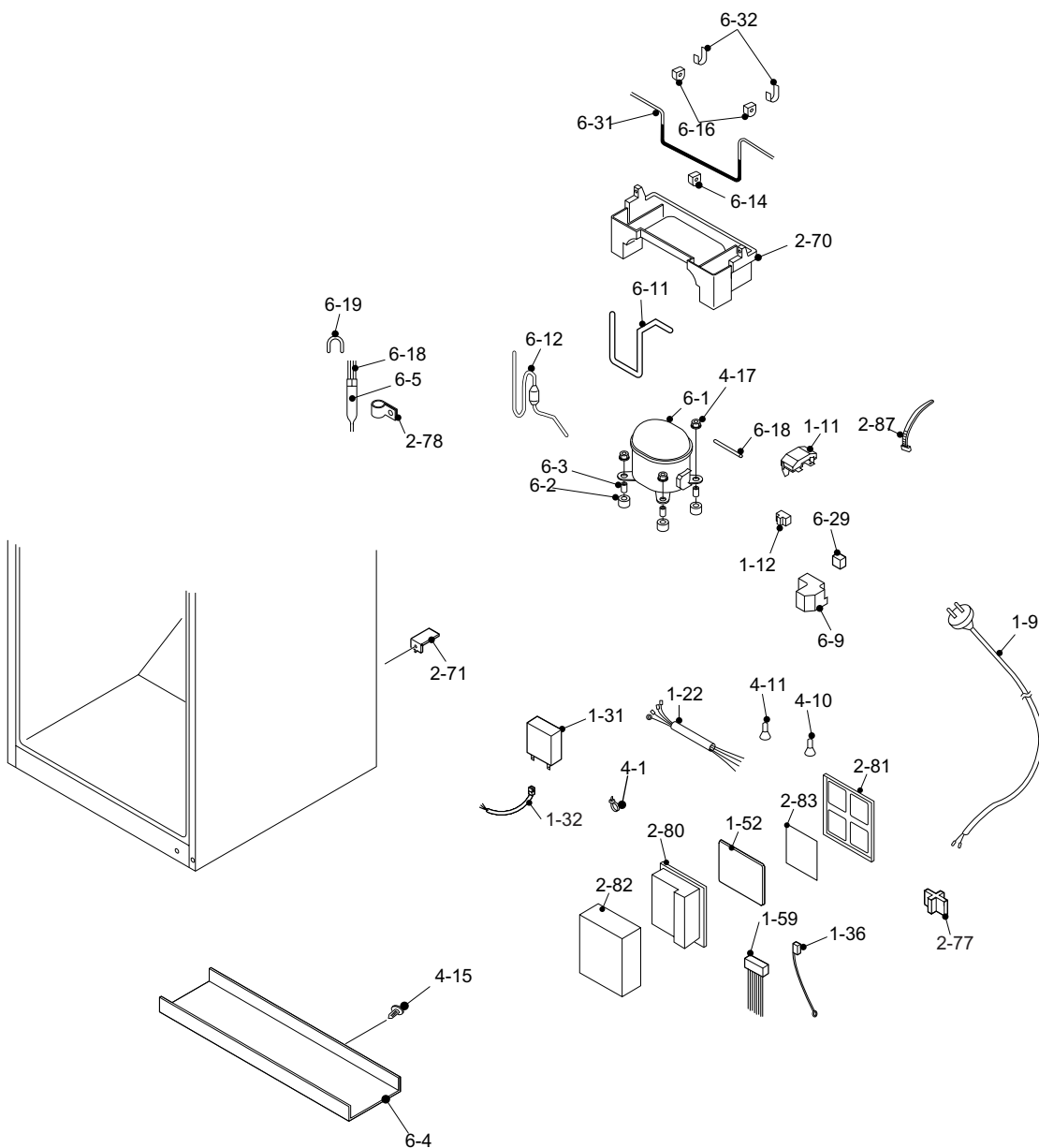
NO.	PARTS CODE	PRICE RANK	NEW MARK	PART RANK	DESCRIPTION
[8] SJ-PT690R DOOR PARTS					
3-1	FDORFB986CBKZ	BT			F-door ass'y [S]
3-1	FDORFB989CBKZ	BT			F-door ass'y [BE]
3-1	FDORFB990CBKZ	BQ			F-door ass'y [WH]
3-1-1	LSTPMA028CBMZ	AE			F-door stopper r
3-1-2	LSTPPA158CBFA	AE			Fd-stopper spring r
3-2	FPACGA470CBKZ	AX			F-door packing
3-3	JHNDPA258CBPA	AK			F door handle
3-4	HDECQA544CBTA	AF			Hd cover t
3-5	HDECQA545CBTA	AF			Hd cover b
3-6	LPLTPA478CBTA	AH			Hd base t
3-7	LPLTPA479CBTA	AH			Hd base b
3-8	LPLTPA480CBPZ	AF			Hd support t
3-9	LPLTPA481CBPZ	AF			Hd support b
3-10	LX-BZA091CBZZ	AD			Handle screw
3-11	FDORRB891CBKZ	BU			R-door ass'y [SL]
3-11	FDORRB896CBKZ	BU			R-door ass'y [BE]
3-11	FDORRB897CBKZ	BU			R-door ass'y [WH]
3-11-1	LSTP-A064CBMZ	AE			R-door stopper r
3-11-2	LSTPPA159CBFA	AE			Rd-stopper spring r
3-11-3	NBRGPA022CBFA	AC			Nylon bearing 3s
3-11-4	LPLTMA846CBMZ	AF			Rd-support
3-12	FPACGA471CBKZ	AY			R-door packing
3-13	JHNDPA259CBPA	AK			R door handle
3-20	PCAP-A055CBFF	AE			Bearing cap [SL]
3-20	PCAP-A055CBFG	AD			Bearing cap [BE]
3-20	PCAP-A055CBFH	AC			Bearing cap [WH]
3-21	HBDGDB006CBZA	AZ			Badge
3-22	GCOVAA052CBTA	AE			Screw cover
3-30	PPACGA268CBZA	AL			F-sub. packing

[9] SJ-PT690R ATTACHMENT PARTS



NO.	PARTS CODE	PRICE RANK	NEW MARK	PART RANK	DESCRIPTION
[9] SJ-PT690R ATTACHMENT PARTS					
2-99	FPLTPA107CBKZ	AM			Temp.meter ass'y
5-1	FPOK-A264CBKZ	AS			F-door pocket ass'y
5-3	UPOKPA308CBFA	AP			Rf door pocket
5-4	GDORPA086CBRA	AN			R door pocket cover
5-5	UPOKPA309CBFA	AM			Utility pocket
5-6	UPOKPA310CBFA	AP			R door pocket
5-7	UTNA-A282CBFA	AH			Egg tray
5-8	UPOKPA314CBFA	AM			Utility pocket I
5-9	UPOKPA312CBFA	AU			Bottle pocket
5-10	UPOKPA251CBFB	AF			Tube stand (100çX)
5-11	UTNA-A450CBFA	AP			F shelf s
5-12	UTNA-A449CBFA	AZ			F shelf
5-13	FSRA-A273CBYZ	AR			Ice cube maker
5-14	UYOK-A579CBFA	AM			Ice storage box
5-15	GDORPA083CBRA	AN			Fresh door
5-16	UYOK-A577CBFA	AZ			Fresh case
5-17	FTNA-A464CBKZ	AY			R glass shelf ass'y
5-18	FTNA-A465CBKZ	AY			R glass shelf sf asy
5-19	FTNA-A466CBKZ	AY			R glass shelf sb asy
5-20	FTNA-A463CBKZ	AY			V glass shelf ass'y
5-21	UYOK-A578CBFA	AZ			Vegetable case
5-22	LSTYPA047CBFA	AN			Partition v
90-33	TLAB-B220CBRZ	AE			Temp.caution label
[10] SJ-PT690R OTHER PARTS					
90-1	TINS-A825CBRZ	AM			Operation manual
90-3	SPAKCA340CBZZ	BA			Packing case 55
90-6	CPADBA108CBKZ	BA			Bottom pad ass'y
90-7	CPADBA109CBKZ	AP			Top pad ass'y
90-12	TLAB-B545CBRZ	AF			Energy label
90-21	TLAB-B396CBRZ	AG			Caution label rof-hc
90-34	TLAB-A985CBRZ	AF			Two star label
90-35	TLAB-A811CBR0	AF			4-star label

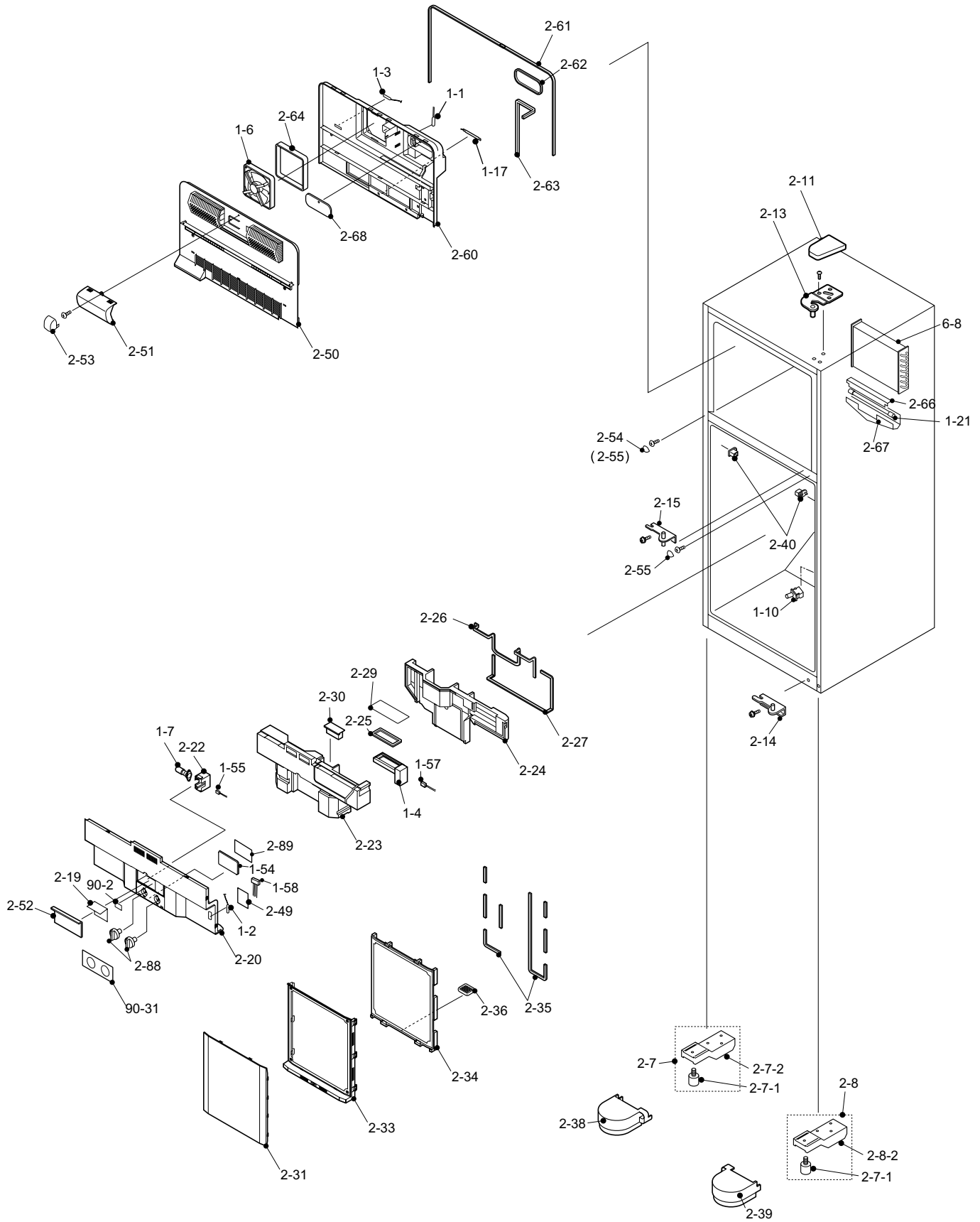
[11] SJ-T640R CYCLE PARTS



NO.	PARTS CODE	PRICE RANK	NEW MARK	PART RANK	DESCRIPTION
[11] SJ-T640R CYCLE PARTS					
1-9	QACC-A156CBZZ	AQ			Source cord
1-11	RHOG-A189CBEZ	AZ			Protector
1-12	RSTT-A179CBZZ	AR			Ptc relay
1-22	FCNW-B014CBKZ	AS			Relay cord s ass'y
1-31	RC-EZA254CBZZ	AS			Running capacitor
1-32	QCNW-B021CBZZ	AC			Reray wire rc
1-36	QCNW-B283CBZZ	AG			Pwb earth wire
1-52	FPWB-A507CBKZ	BQ			Main pwb ass'y
1-59	QCNW-B259CBZZ	AP			Pwb-harness
2-70	USRA-A313CBFA	AP			Drain pan
2-71	LHLD-A797CBFZ	AE			Ev.pan holder
2-77	LHLD-A359CBFA	AE			T-box holder
2-78	LPLTMA399CBP0	AD			Dryer support
2-80	PBOX-A164CBFA	AM			Terminal box
2-81	PCOV-A396CBPZ	AF			Terminal cover
2-82	PCOVMA005CBYZ	AF			Terminal box cover
2-83	PSHEPA084CBZZ	AG			Terminal sheet
2-87	LBND-A018CBE0	AP			Fastening band a
4-1	LBND-A023CBE0	AC			L-band c
4-10	QTAN-A013CBE0	AH			Solderless term. a
4-11	QTAN-A012CBE0	AH			Solderless term. b
4-15	LX-BZA090CBZZ	AC			Special screw
4-17	LX-WZA035CBZZ	AB			Washer
6-1	PCMPLA296CBZZ	BZ			Compressor

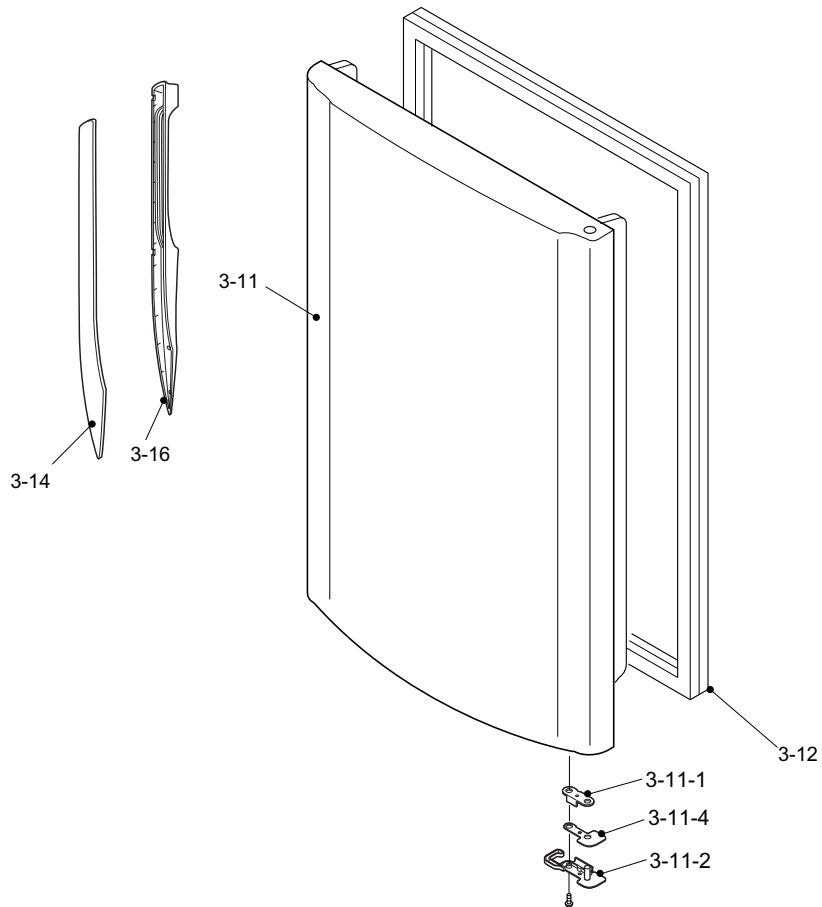
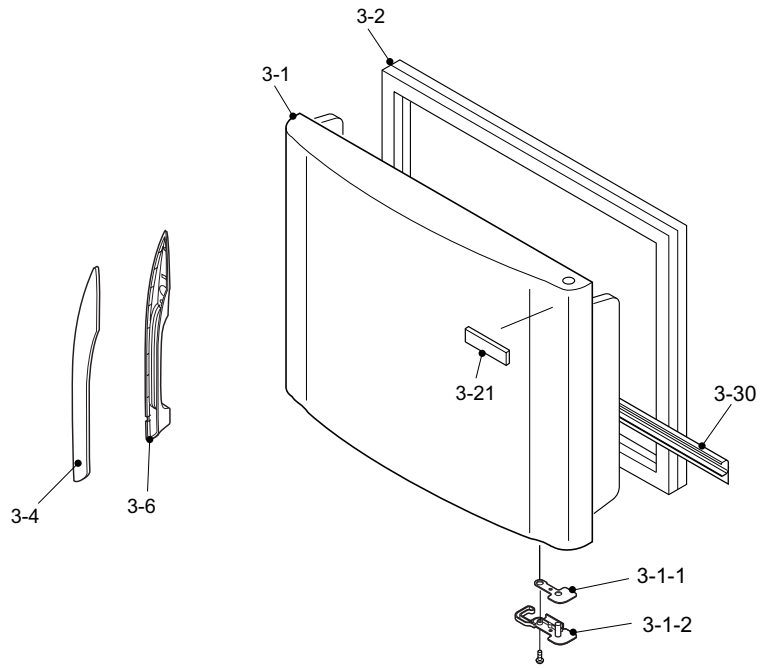
NO.	PARTS CODE	PRICE RANK	NEW MARK	PART RANK	DESCRIPTION
[11] SJ-T640R CYCLE PARTS					
6-2	PSPAGA054CBEZ	AH			Rubber grommet
6-3	PSPAFA047CBEZ	AE			Sleeve
6-4	FFRM-A152CBKZ	AH			Base frame ass'y
6-5	FDRY-A006CBK0	AX			Dryer ass'y
6-9	PCOVPA271CBEZ	AH			Terminal cover
6-11	PPIPCA624CBZZ	AM			S.p connector
6-12	PPIPCA625CBZZ	AL			Discharge connector
6-14	PGUM-A004CBF0	AH			Absorbent rubber a
6-16	PGUM-A003CBF0	AH			Absorbent rubber b
6-18	PPIPCA517CBZZ	AE			Chrg pipe hc s
6-19	PPIPCA551CBZZ	AF			Drier connector
6-29	LHLD-A465CBE0	AG			Cord clip
6-31	FPIPCA307CBKZ	AN			Eva pan pipe s ass'y
6-32	LANG-A058CBPZ	AC			Absorbent rubber c/m

[12] SJ-T640R MECHANICAL PARTS



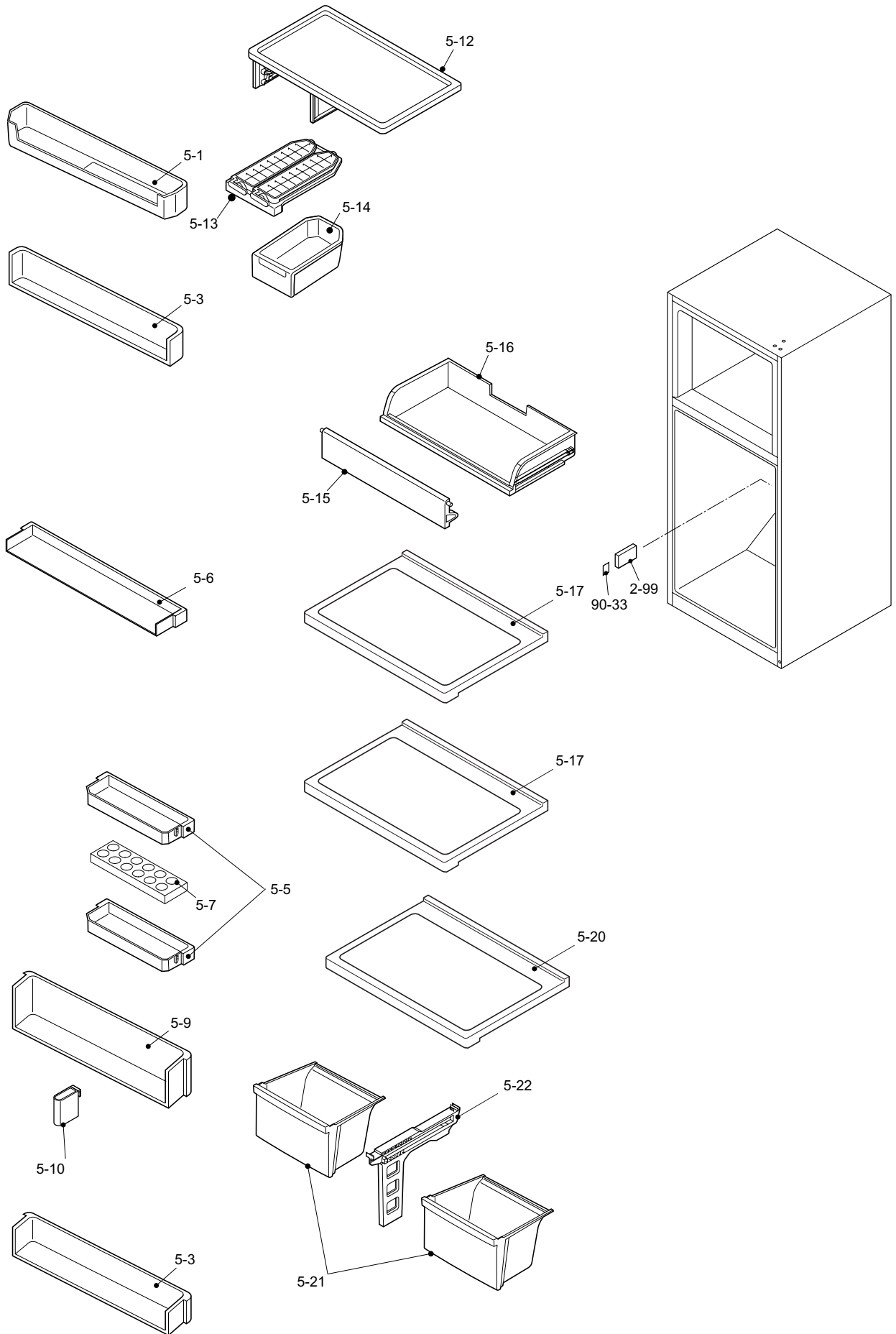
NO.	PARTS CODE	PRICE RANK	NEW MARK	PART RANK	DESCRIPTION
[12] SJ-T640R MECHANICAL PARTS					
1-1	RH-HXA104CBZZ	AZ			F-thermistor
1-2	RH-HXA103CBZZ	AZ			R-thermistor
1-3	RH-HXA105CBZZ	AZ			Def-thermistor
1-4	DTHM-A042CBKZ	AY			Damper ass'y
1-6	RMOTRA096CBZZ	BE			F fan motor
1-7	FLMP-A003CBZZ	AM			Lamp ass'y
1-10	QSW-PA097CBZA	AG			Door switch
1-17	FFS-TA100CBKZ	AN			Fuse ass'y
1-21	FHETBA219CBZZ	BD			Def. heater ass'y
1-54	FPWB-A506CBKZ	AZ			Vr pwb ass'y
1-55	QCNW-B270CBZZ	AH			Lamp harness
1-57	QCNW-B258CBZZ	AP			Damper harness
1-58	QCNW-B262CBZZ	AP			Control harness
2-7	FLEGPA077CBKZ	AQ			Leg holder l ass'y
2-7-1	FAJS-A013CBK0	AE			Adjustable leg ass'y
2-7-2	LHLD-A533CBPZ	AL			Leg holder l
2-8	FLEGPA078CBKZ	AQ			Leg holder r ass'y
2-8-2	LHLD-A534CBPZ	AP			Leg holder r
2-11	GCOV-A310CBFA	AE			Upper hinge cover [SL]
2-11	GCOV-A310CBFB	AD			Upper hinge cover [BE]
2-11	GCOV-A310CBFC	AE			Upper hinge cover [WH]
2-13	DHNG-A602CBMZ	AG			Upper hinge r ass'y
2-14	DHNG-A603CBMZ	AG			Bottom hinge r ass'y
2-15	DHNG-A611CBMZ	AG			Center hinge r ass'y
2-19	LPLTMA840CBPZ	AE			R-cbox al sheet
2-20	GCOVPA238CBFA	AK			R-c box cover
2-22	LHLD-A803CBFZ	AG			R lamp holder
2-23	PGID-A172CBFZ	AK			R air guider a
2-24	PGID-A173CBFZ	AK			R air guider b
2-25	PSEL-C669CBZZ	AD			A-sealer rc-d
2-26	PSEL-C955CBZZ	AE			Ra sealer a
2-27	PSEL-C956CBZZ	AE			Ra sealer b
2-29	PSEL-C958CBZZ	AH			A-sealer damper
2-30	PGID-A177CBFZ	AG			R air guider c
2-31	LPLTMA848CBPZ	AH			Al panel
2-33	MLOV-A065CBFA	AR			R shower duct
2-34	PGID-A176CBFZ	AG			R-shower ins.a
2-35	PSEL-C968CBZZ	AE			A-sealer r-shower-d
2-36	PFIL-A047CBEZ	AC			Deodorizer
2-38	GCOVPA234CBFA	AE			Leg cover l
2-39	GCOVPA235CBFA	AE			Leg cover r
2-40	LSTPPA161CBFA	AE			Case stopper
2-49	PSEL-D085CBZZ	AD			R thermistor sealer
2-50	HGRL-A269CBFA	AU			Fan louver
2-51	PCOV-A395CBRA	AH			F lamp cover
2-52	PCOV-A390CBFA	AH			R lamp cover
2-53	GCOVAA056CBFA	AE			Screw cover
2-54	PCAP-A006CBFY	AB			Screw cover [BE]
2-54	PCAP-A077CBFH	AD			Screw cover [SL]
2-55	PCAP-A006CBFW	AB			Screw cover
2-60	GCOV-A311CBFZ	AS			E.v cover
2-61	PSEL-C959CBZZ	AE			E.v cover sealer a
2-62	PSEL-C960CBZZ	AE			E.v cover sealer b
2-63	PSEL-C961CBZZ	AH			E.v cover sealer c
2-64	PSEL-C962CBZZ	AE			E.v cover sealer d
2-66	PSHEMA359CBTZ	AP			Heater cover
2-67	LPLTMA826CBPZ	AE			Drain support
2-68	GCOVPA239CBFA	AT			Ev terminal cover
2-88	JKNB-A085CBFA	AF			Control knob
2-89	LPLTPA490CBZZ	AE			Pwb sheet 55dr
6-8	PEVA-A180CBZZ	BE			Evaporator
90-2	TLAB-A876CBRZ	AC			Warning label
90-31	HPNLCA084CBRA	AF			Control label

[13] SJ-T640R DOOR PARTS



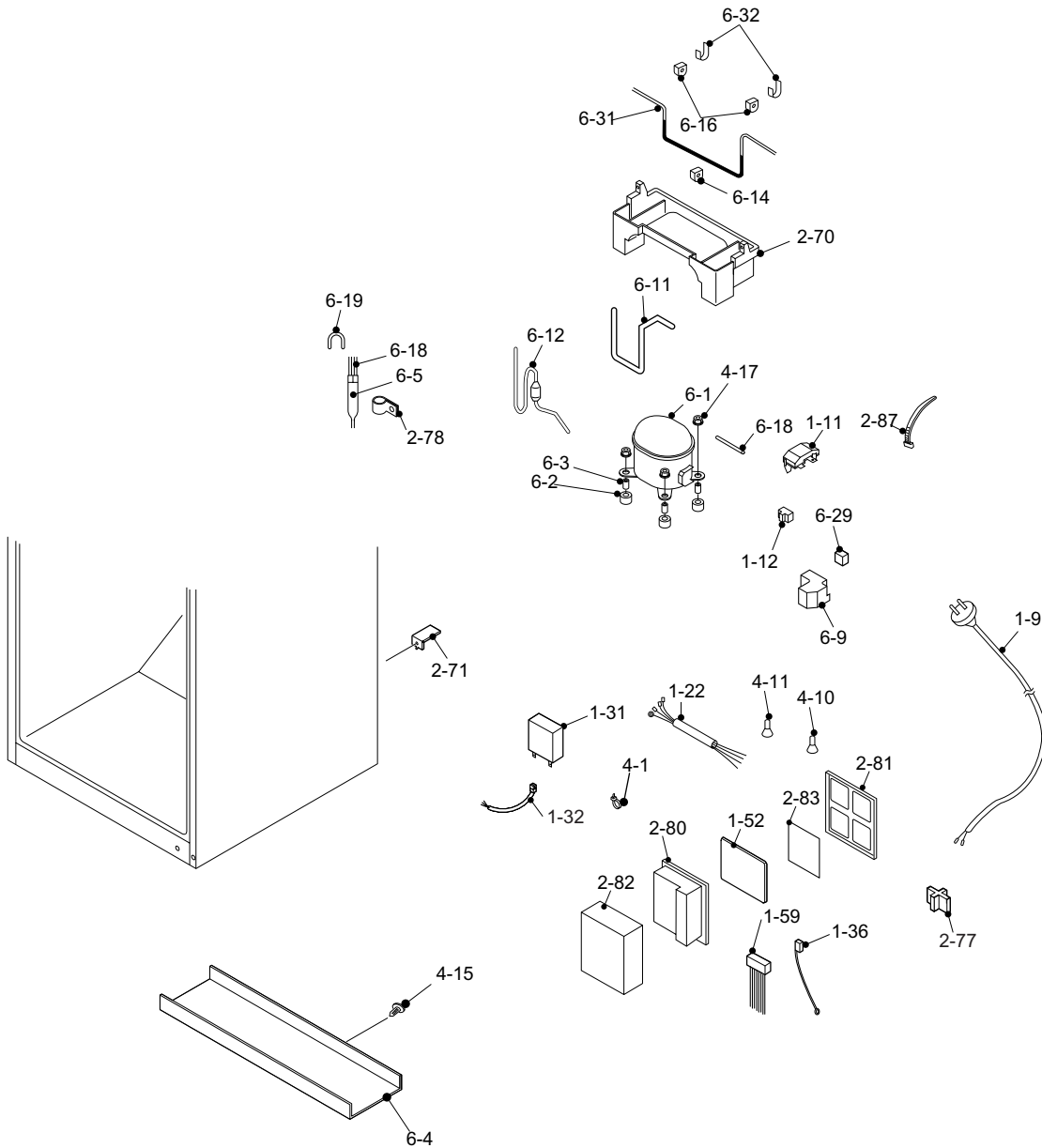
NO.	PARTS CODE	PRICE RANK	NEW MARK	PART RANK	DESCRIPTION
[13] SJ-T640R DOOR PARTS					
3-1	FDORFB988CBKZ	BT			F-door ass'y [SL]
3-1	FDORFB991CBKZ	BT			F-door ass'y [BE]
3-1	FDORFB992CBKZ	BT			F-door ass'y [WH]
3-1-1	LSTPMA028CBMZ	AE			F-door stopper r
3-1-2	LSTPPA158CBFA	AE			Fd-stopper spring r
3-2	FPACGA470CBKZ	AX			F-door packing
3-4	HDECQA550CBTA	AL			Hd cover f
3-6	LPLTPA491CBFA	AP			Handle base f
3-11	FDORRB895CBKZ	BT			R-door ass'y [SL]
3-11	FDORRB902CBKZ	BU			R-door ass'y [BE]
3-11	FDORRB903CBKZ	BV			R-door ass'y [WH]
3-11-1	LSTP-A064CBMZ	AE			R-door stopper r
3-11-2	LSTPPA159CBFA	AE			Rd-stopper spring r
3-11-4	LPLTMA846CBMZ	AF			Rd-support
3-12	FPACGA472CBKZ	AY			R-door packing
3-14	HDECQA551CBTA	AM			Hd cover r
3-16	LPLTPA492CBFA	AP			Handle base r
3-21	HBDGDB006CBZA	AZ			Badge
3-30	PPACGA268CBZA	AL			F-sub. packing

[14] SJ-T640R ATTACHMENT PARTS



NO.	PARTS CODE	PRICE RANK	NEW MARK	PART RANK	DESCRIPTION
[14] SJ-T640R ATTACHMENT PARTS					
2-99	FPLTPA107CBKZ	AM			Temp.meter ass'y
5-1	FPOK-A264CBKZ	AS			F-door pocket ass'y
5-3	UPOKPA308CBFA	AP			Rf door pocket
5-5	UPOKPA309CBFA	AM			Utility pocket
5-6	UPOKPA310CBFA	AP			R door pocket
5-7	UTNA-A282CBFA	AH			Egg tray
5-9	UPOKPA312CBFA	AU			Bottle pocket
5-10	UPOKPA251CBFB	AF			Tube stand (iceçX)
5-12	UTNA-A449CBFA	AZ			F shelf
5-13	FSRA-A275CBYZ	AR			Ice cube maker
5-14	UYOK-A579CBFA	AM			Ice storage box
5-15	GDORPA085CBFA	AM			Fresh door
5-16	UYOK-A577CBFA	AZ			Fresh case
5-17	FTNA-A468CBKZ	BD			R glass shelf ass'y
5-20	FTNA-A467CBKZ	BE			V glass shelf ass'y
5-21	UYOK-A578CBFA	AZ			Vegetable case
5-22	LSTYPA047CBFA	AN			Partition v
90-33	TLAB-B220CBRZ	AE			Temp.caution label
[15] SJ-T640R OTHER PARTS					
90-1	TINS-A824CBRZ	AK			Operation manual
90-3	SPAKCA343CBZZ	AZ			Packing case 51
90-6	CPADBA108CBKZ	BA			Bottom pad ass'y
90-7	CPADBA109CBKZ	AP			Top pad ass'y
90-12	TLAB-B547CBRZ	AG			Energy label
90-21	TLAB-B396CBRZ	AG			Caution label rof-hc
90-34	TLAB-A985CBRZ	AF			Two star label
90-35	TLAB-A811CBR0	AF			4-star label

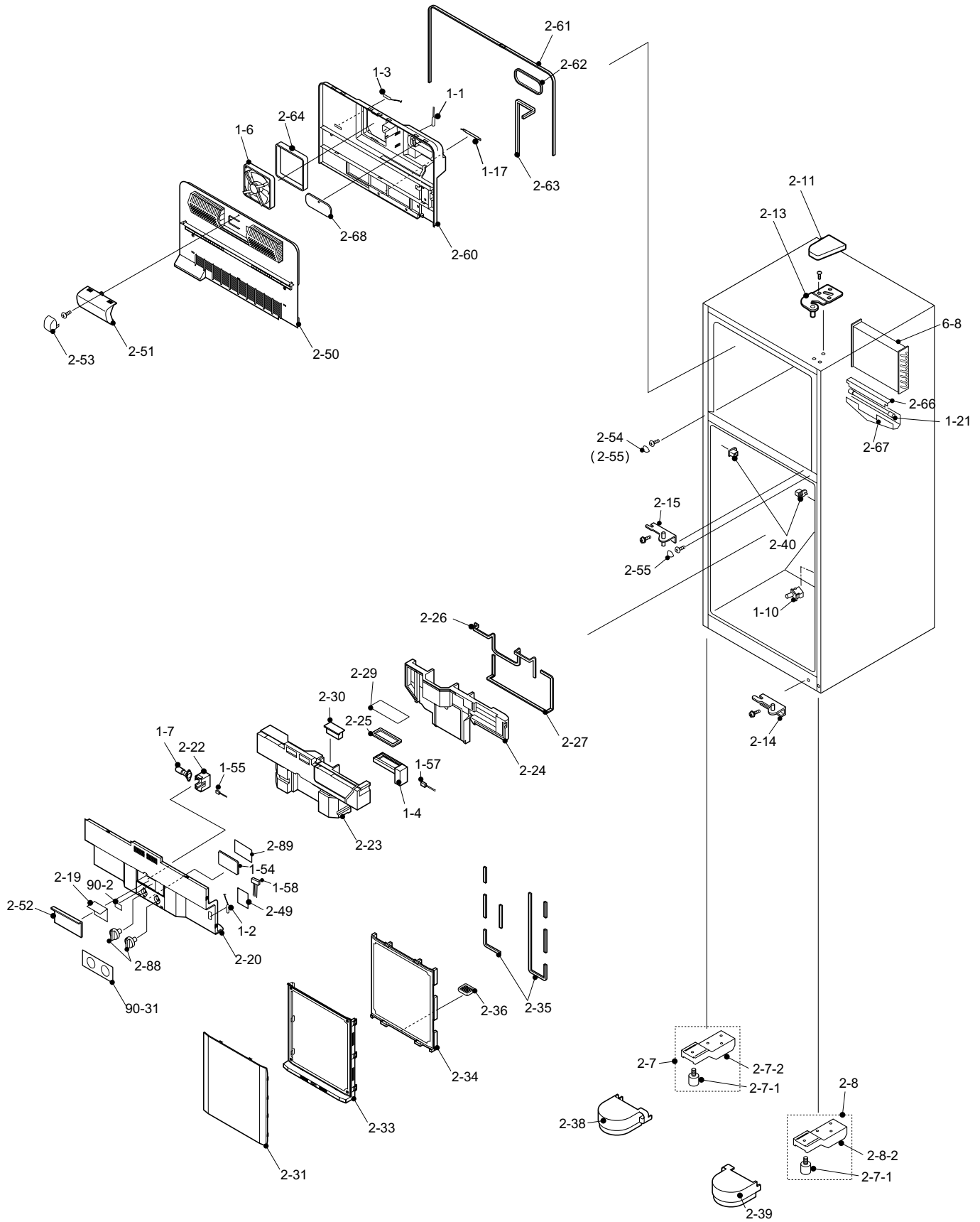
[16] SJ-T690R CYCLE PARTS



NO.	PARTS CODE	PRICE RANK	NEW MARK	PART RANK	DESCRIPTION
[16] SJ-T690R CYCLE PARTS					
1-9	QACC-A156CBZZ	AQ			Source cord
1-11	RHOG-A189CBEZ	AZ			Protector
1-12	RSTT-A179CBZZ	AR			Ptc relay
1-22	FCNW-B014CBKZ	AS			Relay cord s ass'y
1-31	RC-EZA254CBZZ	AS			Running capacitor
1-32	QCNW-B021CBZZ	AC			Reray wire rc
1-36	QCNW-B283CBZZ	AG			Pwb earth wire
1-52	FPWB-A507CBKZ	BQ			Main pwb ass'y
1-59	QCNW-B259CBZZ	AP			Pwb-harness
2-70	USRA-A313CBFA	AP			Drain pan
2-71	LHLD-A797CBFZ	AE			Ev.pan holder
2-77	LHLD-A359CBFA	AE			T-box holder
2-78	LPLTMA399CBP0	AD			Dryer support
2-80	PBOX-A164CBFA	AM			Terminal box
2-81	PCOV-A396CBPZ	AF			Terminal cover
2-82	PCOVMA005CUBYZ	AF			Terminal box cover
2-83	PSHEPA084CBZZ	AG			Terminal sheet
2-87	LBND-A018CBE0	AP			Fastening band a
4-1	LBND-A023CBE0	AC			L-band c
4-10	QTAN-A013CBE0	AH			Solderless term. a
4-11	QTAN-A012CBE0	AH			Solderless term. b
4-15	LX-BZA090CBZZ	AC			Special screw
4-17	LX-WZA035CBZZ	AB			Washer
6-1	PCMPLA296CBZZ	BZ			Compressor

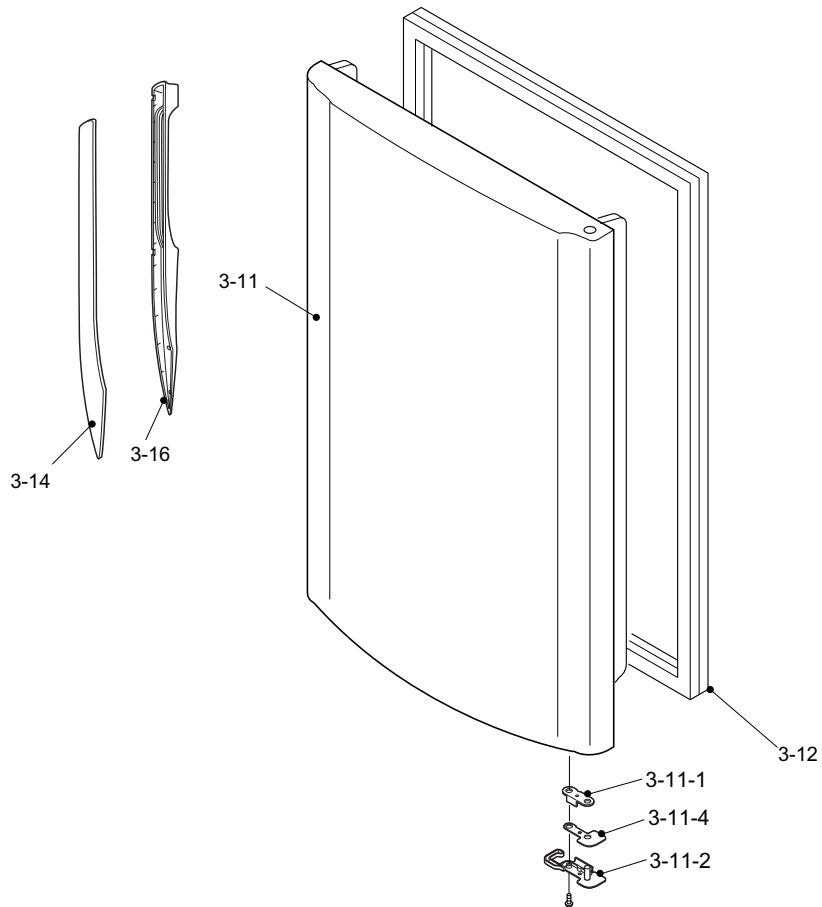
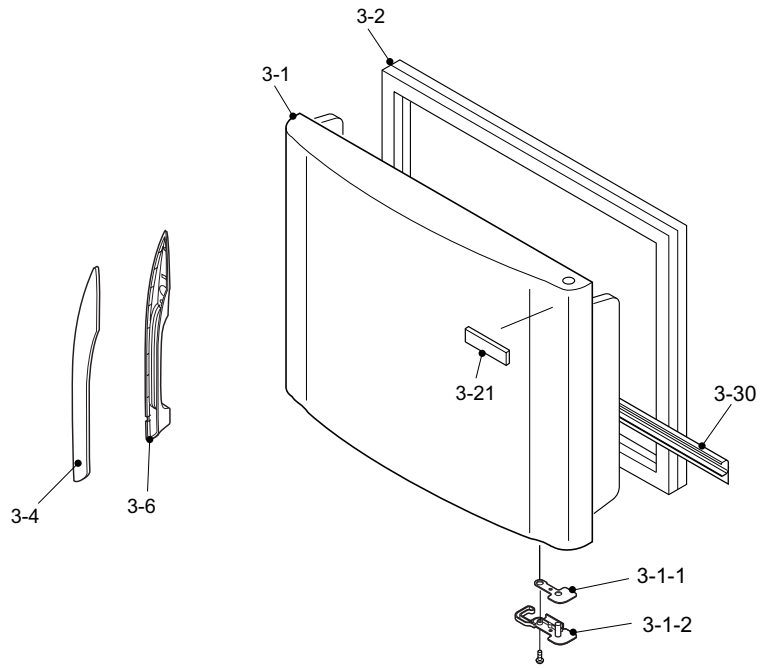
NO.	PARTS CODE	PRICE RANK	NEW MARK	PART RANK	DESCRIPTION
[16] SJ-T690R CYCLE PARTS					
6-2	PSPAGA054CBEZ	AH			Rubber grommet
6-3	PSPAFA047CBEZ	AE			Sleeve
6-4	FFRM-A152CBKZ	AH			Base frame ass'y
6-5	FDRY-A006CBK0	AX			Dryer ass'y
6-9	PCOVPA271CBEZ	AH			Terminal cover
6-11	PPIPCA624CBZZ	AM			S.p connector
6-12	PPIPCA625CBZZ	AL			Discharge connector
6-14	PGUM-A004CBF0	AH			Absorbent rubber a
6-16	PGUM-A003CBF0	AH			Absorbent rubber b
6-18	PPIPCA517CBZZ	AE			Chrg pipe hc s
6-19	PPIPCA551CBZZ	AF			Drier connector
6-29	LHLD-A465CBE0	AG			Cord clip
6-31	FPIPCA307CBKZ	AN			Eva pan pipe s ass'y
6-32	LANG-A058CBPZ	AC			Absorbent rubber c/m

[17] SJ-T690R MECHANICAL PARTS



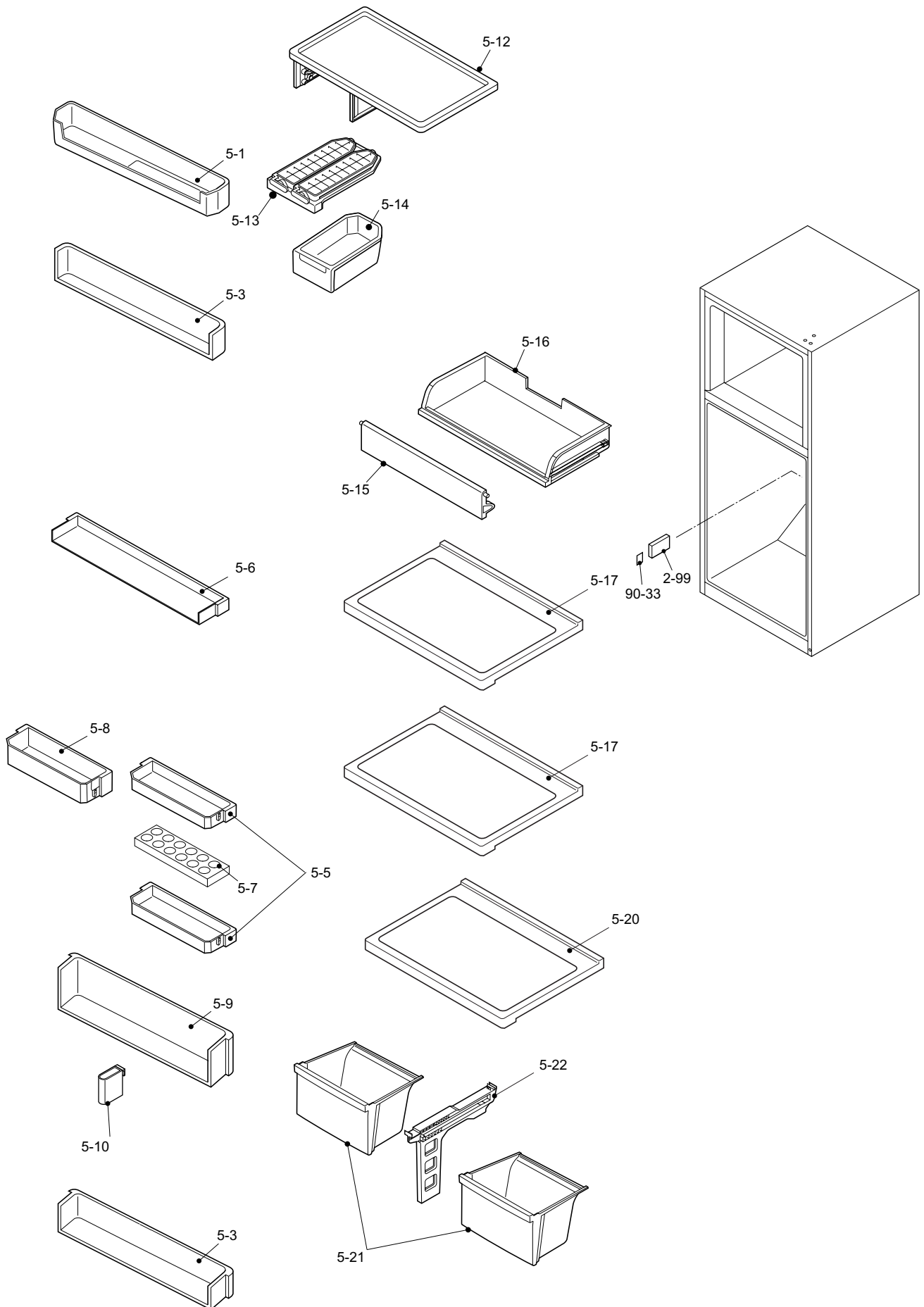
NO.	PARTS CODE	PRICE RANK	NEW MARK	PART RANK	DESCRIPTION
[17] SJ-T690R MECHANICAL PARTS					
1-1	RH-HXA104CBZZ	AZ			F-thermistor
1-2	RH-HXA103CBZZ	AZ			R-thermistor
1-3	RH-HXA105CBZZ	AZ			Def-thermistor
1-4	DTHM-A042CBKZ	AY			Damper ass'y
1-6	RMOTRA096CBZZ	BE			F fan motor
1-7	FLMP-A003CBZZ	AM			Lamp ass'y
1-10	QSW-PA097CBZA	AG			Door switch
1-17	FFS-TA100CBKZ	AN			Fuse ass'y
1-21	FHETBA219CBZZ	BD			Def. heater ass'y
1-54	FPWB-A506CBKZ	AZ			Vr pwb ass'y
1-55	QCNW-B270CBZZ	AH			Lamp harness
1-57	QCNW-B258CBZZ	AP			Damper harness
1-58	QCNW-B262CBZZ	AP			Control harness
2-7	FLEGA077CBKZ	AQ			Leg holder l ass'y
2-7-1	FAJS-A013CBK0	AE			Adjustable leg ass'y
2-7-2	LHLD-A533CBPZ	AL			Leg holder l
2-8	FLEGA078CBKZ	AQ			Leg holder r ass'y
2-8-2	LHLD-A534CBPZ	AP			Leg holder r
2-11	GCOV-A310CBFA	AE			Upper hinge cover [SL]
2-11	GCOV-A310CBFB	AD			Upper hinge cover [BE]
2-11	GCOV-A310CBFC	AE			Upper hinge cover [WH]
2-13	DHNG-A602CBMZ	AG			Upper hinge r ass'y
2-14	DHNG-A603CBMZ	AG			Bottom hinge r ass'y
2-15	DHNG-A611CBMZ	AG			Center hinge r ass'y
2-19	LPLTMA840CBPZ	AE			R-cbox al sheet
2-20	GCOVPA238CBFA	AK			R-c box cover
2-22	LHLD-A803CBFZ	AG			R lamp holder
2-23	PGID-A172CBFZ	AK			R air guider a
2-24	PGID-A173CBFZ	AK			R air guider b
2-25	PSEL-C669CBZZ	AD			A-sealer rc-d
2-26	PSEL-C955CBZZ	AE			Ra sealer a
2-27	PSEL-C956CBZZ	AE			Ra sealer b
2-29	PSEL-C958CBZZ	AH			A-sealer damper
2-30	PGID-A177CBFZ	AG			R air guider c
2-31	LPLTMA847CBPZ	AH			Al panel
2-33	MLOV-A064CBFA	AR			R shower duct
2-34	PGID-A174CBFZ	AH			R-shower ins.a
2-35	PSEL-C966CBZZ	AE			A-sealer r-shower-d
2-36	PFIL-A047CBEZ	AC			Deodorizer
2-38	GCOVPA234CBFA	AE			Leg cover l
2-39	GCOVPA235CBFA	AE			Leg cover r
2-40	LSTPPA161CBFA	AE			Case stopper
2-49	PSEL-D085CBZZ	AD			R thermistor sealer
2-50	HGRL-A269CBFA	AU			Fan louver
2-51	PCOV-A395CBRA	AH			F lamp cover
2-52	PCOV-A390CBFA	AH			R lamp cover
2-53	GCOVAA056CBFA	AE			Screw cover
2-54	PCAP-A006CBFY	AB			Screw cover [BE]
2-54	PCAP-A077CBFH	AD			Screw cover [SL]
2-55	PCAP-A006CBFW	AB			Screw cover
2-60	GCOV-A311CBFZ	AS			E.v cover
2-61	PSEL-C959CBZZ	AE			E.v cover sealer a
2-62	PSEL-C960CBZZ	AE			E.v cover sealer b
2-63	PSEL-C961CBZZ	AH			E.v cover sealer c
2-64	PSEL-C962CBZZ	AE			E.v cover sealer d
2-66	PSHEMA359CBTZ	AP			Heater cover
2-67	LPLTMA826CBPZ	AE			Drain support
2-68	GCOVPA239CBFA	AT			Ev terminal cover
2-88	JKNB-A085CBFA	AF			Control knob
2-89	LPLTPA490CBZZ	AE			Pwb sheet 55dr
6-8	PEVA-A180CBZZ	BE			Evaporator
90-2	TLAB-A876CBRZ	AC			Warning label
90-31	HPNLCA084CBRA	AF			Control label

[18] SJ-T690R DOOR PARTS



NO.	PARTS CODE	PRICE RANK	NEW MARK	PART RANK	DESCRIPTION
[18] SJ-T690R DOOR PARTS					
3-1	FDORFB988CBKZ	BT			F-door ass'y [SL]
3-1	FDORFB991CBKZ	BT			F-door ass'y [BE]
3-1	FDORFB992CBKZ	BT			F-door ass'y [WH]
3-1-1	LSTPMA028CBMZ	AE			F-door stopper r
3-1-2	LSTPPA158CBFA	AE			Fd-stopper spring r
3-2	FPACGA470CBKZ	AX			F-door packing
3-4	HDECQA550CBTA	AL			Hd cover f
3-6	LPLTPA491CBFA	AP			Handle base f
3-11	FDORRB893CBKZ	BU			R-door ass'y [SL]
3-11	FDORRB898CBKZ	BU			R-door ass'y [BE]
3-11	FDORRB899CBKZ	BV			R-door ass'y [WH]
3-11-1	LSTP-A064CBMZ	AE			R-door stopper r
3-11-2	LSTPPA159CBFA	AE			Rd-stopper spring r
3-11-4	LPLTMA846CBMZ	AF			Rd-support
3-12	FPACGA471CBKZ	AY			R-door packing
3-14	HDECQA551CBTA	AM			Hd cover r
3-16	LPLTPA492CBFA	AP			Handle base r
3-21	HBDGDB006CBZA	AZ			Badge
3-30	PPACGA268CBZA	AL			F-sub. packing

[19] SJ-T690R ATTACHMENT PARTS



NO.	PARTS CODE	PRICE RANK	NEW MARK	PART RANK	DESCRIPTION
[19] SJ-T690R ATTACHMENT PARTS					
2-99	FPLTPA107CBKZ	AM			Temp.meter ass'y
5-1	FPOK-A264CBKZ	AS			F-door pocket ass'y
5-3	UPOKPA308CBFA	AP			Rf door pocket
5-5	UPOKPA309CBFA	AM			Utility pocket
5-6	UPOKPA310CBFA	AP			R door pocket
5-7	UTNA-A282CBFA	AH			Egg tray
5-8	UPOKPA314CBFA	AM			Utility pocket I
5-9	UPOKPA312CBFA	AU			Bottle pocket
5-10	UPOKPA251CBFB	AF			Tube stand (100çX)
5-12	UTNA-A449CBFA	AZ			F shelf
5-13	FSRA-A275CBBZ	AR			Ice cube maker
5-14	UYOK-A579CBFA	AM			Ice storage box
5-15	GDORPA085CBFA	AM			Fresh door
5-16	UYOK-A577CBFA	AZ			Fresh case
5-17	FTNA-A468CBKZ	BD			R glass shelf ass'y
5-20	FTNA-A467CBKZ	BE			V glass shelf ass'y
5-21	UYOK-A578CBFA	AZ			Vegetable case
5-22	LSTYPA047CBFA	AN			Partition v
90-33	TLAB-B220CBRZ	AE			Temp.caution label
[20] SJ-T690R OTHER PARTS					
90-1	TINS-A824CBRZ	AK			Operation manual
90-3	SPAKCA340CBZZ	BA			Packing case 55
90-6	CPADBA108CBKZ	BA			Bottom pad ass'y
90-7	CPADBA109CBKZ	AP			Top pad ass'y
90-12	TLAB-B545CBRZ	AF			Energy label
90-21	TLAB-B396CBRZ	AG			Caution label rof-hc
90-34	TLAB-A985CBRZ	AF			Two star label
90-35	TLAB-A811CBR0	AF			4-star label

INDEX

PARTS CODE	No.	PRICE RANK	NEW MARK	PART RANK
[C]				
CPADBA108CBKZ	5-90-6	BA		
"	10-90-6	BA		
"	15-90-6	BA		
"	20-90-6	BA		
CPADBA109CBKZ	5-90-7	AP		
"	10-90-7	AP		
"	15-90-7	AP		
"	20-90-7	AP		
[D]				
DHNG-A602CBMZ	2-2-13	AG		
"	7-2-13	AG		
"	12-2-13	AG		
"	17-2-13	AG		
DHNG-A603CBMZ	2-2-14	AG		
"	7-2-14	AG		
"	12-2-14	AG		
"	17-2-14	AG		
DHNG-A604CBMZ	2-2-15	AG		
"	7-2-15	AG		
DHNG-A605CBMZ	2-2-16	AG		
"	7-2-16	AG		
DHNG-A611CBMZ	12-2-15	AG		
"	17-2-15	AG		
DPWB-A135CBKZ	2-1-51	BR		
"	7-1-51	BR		
DPWB-A150CBKZ	2-1-60	AY		
"	7-1-60	AY		
DTHM-A042CBKZ	2-1-4	AY		
"	7-1-4	AY		
"	12-1-4	AY		
"	17-1-4	AY		
[F]				
FAJS-A013CBK0	2-2-7-1	AE		
"	7-2-7-1	AE		
"	12-2-7-1	AE		
"	17-2-7-1	AE		
FCNW-B014CBKZ	1-1-22	AS		
"	6-1-22	AS		
"	11-1-22	AS		
"	16-1-22	AS		
FDORFB986CBKZ	3-3-1	BT		
"	8-3-1	BT		
FDORFB988CBKZ	13-3-1	BT		
"	18-3-1	BT		
FDORFB989CBKZ	3-3-1	BT		
"	8-3-1	BT		
FDORFB990CBKZ	3-3-1	BQ		
"	8-3-1	BQ		
FDORFB991CBKZ	13-3-1	BT		
"	18-3-1	BT		
FDORFB992CBKZ	13-3-1	BT		
"	18-3-1	BT		
FDORRB891CBKZ	8-3-11	BU		
FDORRB893CBKZ	18-3-11	BU		
FDORRB894CBKZ	3-3-11	BT		
FDORRB895CBKZ	13-3-11	BT		
FDORRB896CBKZ	8-3-11	BU		
FDORRB897CBKZ	8-3-11	BU		
FDORRB898CBKZ	18-3-11	BU		
FDORRB899CBKZ	18-3-11	BV		
FDORRB900CBKZ	3-3-11	BU		
FDORRB901CBKZ	3-3-11	BU		
FDORRB902CBKZ	13-3-11	BU		
FDORRB903CBKZ	13-3-11	BV		
FDRY-A006CBK0	1-6-5	AX		
"	6-6-5	AX		
"	11-6-5	AX		
"	16-6-5	AX		
FFRM-A152CBKZ	1-6-4	AH		
"	6-6-4	AH		
"	11-6-4	AH		
"	16-6-4	AH		
FFS-TA100CBKZ	2-1-17	AN		
"	7-1-17	AN		
"	12-1-17	AN		
"	17-1-17	AN		
FHETBA219CBZZ	2-1-21	BD		
"	7-1-21	BD		

PARTS CODE	No.	PRICE RANK	NEW MARK	PART RANK
"	12-1-21	BD		
"	17-1-21	BD		
FLEGA077CBKZ	2-2-7	AQ		
"	7-2-7	AQ		
"	12-2-7	AQ		
"	17-2-7	AQ		
FLEGA078CBKZ	2-2-8	AQ		
"	7-2-8	AQ		
"	12-2-8	AQ		
"	17-2-8	AQ		
FLMP-A003CBZZ	12-1-7	AM		
"	17-1-7	AM		
FPACGA470CBKZ	3-3-2	AX		
"	8-3-2	AX		
"	13-3-2	AX		
"	18-3-2	AX		
FPACGA471CBKZ	8-3-12	AY		
"	18-3-12	AY		
FPACGA472CBKZ	3-3-12	AY		
"	13-3-12	AY		
FPIPCA307CBKZ	1-6-31	AN		
"	6-6-31	AN		
"	11-6-31	AN		
"	16-6-31	AN		
FPLTPA107CBKZ	4-2-99	AM		
"	9-2-99	AM		
"	14-2-99	AM		
"	19-2-99	AM		
FPPOK-A264CBKZ	4-5-1	AS		
"	9-5-1	AS		
"	14-5-1	AS		
"	19-5-1	AS		
FPWB-A499CBKZ	2-1-53	BG		
"	7-1-53	BG		
FPWB-A500CBKZ	1-1-52	BQ		
"	6-1-52	BQ		
FPWB-A506CBKZ	12-1-54	AZ		
"	17-1-54	AZ		
FPWB-A507CBKZ	11-1-52	BQ		
"	16-1-52	BQ		
FSRA-A273CBYZ	4-5-13	AR		
"	9-5-13	AR		
FSRA-A275CBYZ	14-5-13	AR		
"	19-5-13	AR		
FTNA-A463CBKZ	4-5-20	AY		
"	9-5-20	AY		
FTNA-A464CBKZ	4-5-17	AY		
"	9-5-17	AY		
FTNA-A465CBKZ	4-5-18	AY		
"	9-5-18	AY		
FTNA-A466CBKZ	4-5-19	AY		
"	9-5-19	AY		
FTNA-A467CBKZ	14-5-20	BE		
"	19-5-20	BE		
FTNA-A468CBKZ	14-5-17	BD		
"	19-5-17	BD		
FTRN-A014CBKZ	2-1-45	BD		
"	7-1-45	BD		
[G]				
GCOV-A192CBFE	2-2-12	AC		
"	7-2-12	AC		
GCOV-A192CBFH	2-2-12	AE		
"	7-2-12	AE		
GCOV-A192CBFJ	2-2-12	AD		
"	7-2-12	AD		
GCOV-A310CBFA	2-2-11	AE		
"	7-2-11	AE		
"	12-2-11	AE		
"	17-2-11	AE		
GCOV-A310CBFB	2-2-11	AD		
"	7-2-11	AD		
"	12-2-11	AD		
"	17-2-11	AD		
GCOV-A310CBFC	2-2-11	AE		
"	7-2-11	AE		
"	12-2-11	AE		
"	17-2-11	AE		
GCOV-A311CBFZ	2-2-60	AS		
"	7-2-60	AS		
"	12-2-60	AS		

PARTS CODE	No.	PRICE RANK	NEW MARK	PART RANK
"	172-60	AS		
GCOVAA052CBTA	3-3-22	AE		
"	8-3-22	AE		
GCOVAA056CBFA	2-2-53	AE		
"	7-2-53	AE		
"	12-2-53	AE		
"	17-2-53	AE		
GCOVPA234CBFA	2-2-38	AE		
"	7-2-38	AE		
"	12-2-38	AE		
"	17-2-38	AE		
GCOVPA235CBFA	2-2-39	AE		
"	7-2-39	AE		
"	12-2-39	AE		
"	17-2-39	AE		
GCOVPA236CBFA	2-2-2	AE		
"	7-2-2	AE		
GCOVPA237CBRA	2-2-1	AU		
"	7-2-1	AU		
GCOVPA238CBFA	2-2-20	AK		
"	7-2-20	AK		
"	12-2-20	AK		
"	17-2-20	AK		
GCOVPA239CBFA	2-2-68	AT		
"	7-2-68	AT		
"	12-2-68	AT		
"	17-2-68	AT		
GDAI-A084CBFA	2-2-47	AR		
"	7-2-47	AR		
GDORPA083CBRA	4-5-15	AN		
"	9-5-15	AN		
GDORPA085CBFA	14-5-15	AM		
"	19-5-15	AM		
GDORPA086CBRA	4-5-4	AN		
"	9-5-4	AN		
[H]				
HBDGDB006CBZA	3-3-21	AZ		
"	8-3-21	AZ		
"	13-3-21	AZ		
"	18-3-21	AZ		
HDECQA544CBTA	3-3-4	AF		
"	8-3-4	AF		
HDECQA545CBTA	3-3-5	AF		
"	8-3-5	AF		
HDECQA550CBTA	13-3-4	AL		
"	18-3-4	AL		
HDECQA551CBTA	13-3-14	AM		
"	18-3-14	AM		
HGRL-A269CBFA	2-2-50	AU		
"	7-2-50	AU		
"	12-2-50	AU		
"	17-2-50	AU		
HPNLCA084CBRA	12-90-31	AF		
"	17-90-31	AF		
[J]				
JBTN-A045CBRA	2-2-41	AF		
"	7-2-41	AF		
JBTN-A046CBRA	2-2-42	AF		
"	7-2-42	AF		
JBTN-A047CBRA	2-2-43	AF		
"	7-2-43	AF		
JBTN-A048CBRA	2-2-44	AF		
"	7-2-44	AF		
JBTN-A049CBRA	2-2-45	AF		
"	7-2-45	AF		
JHNDPA258CBPA	3-3-3	AK		
"	8-3-3	AK		
JHNDPA259CBPA	8-3-13	AK		
JHNDPA262CBPZ	3-3-13	AF		
JKNB-A085CBFA	12-2-88	AF		
"	17-2-88	AF		
[L]				
LANG-A058CBPZ	1-6-32	AC		
"	6-6-32	AC		
"	11-6-32	AC		
"	16-6-32	AC		
LBND-A018CBE0	1-2-87	AP		
"	6-2-87	AP		
"	11-2-87	AP		
"	16-2-87	AP		
LBND-A019CBE0	1-4-2	AB		
"	6-4-2	AB		

PARTS CODE	No.	PRICE RANK	NEW MARK	PART RANK
LBND-A023CBE0	1-4-1	AC		
"	6-4-1	AC		
"	11-4-1	AC		
"	16-4-1	AC		
LHLD-A359CBFA	1-2-77	AE		
"	6-2-77	AE		
"	11-2-77	AE		
"	16-2-77	AE		
LHLD-A465CBE0	1-6-29	AG		
"	6-6-29	AG		
"	11-6-29	AG		
"	16-6-29	AG		
LHLD-A533CBPZ	2-2-7-2	AL		
"	7-2-7-2	AL		
"	12-2-7-2	AL		
"	17-2-7-2	AL		
LHLD-A534CBPZ	2-2-8-2	AP		
"	7-2-8-2	AP		
"	12-2-8-2	AP		
"	17-2-8-2	AP		
LHLD-A714CBFZ	2-2-21	AR		
"	7-2-21	AR		
LHLD-A797CBFZ	1-2-71	AE		
"	6-2-71	AE		
"	11-2-71	AE		
"	16-2-71	AE		
LHLD-A801CBFA	2-1-50	AE		
"	7-1-50	AE		
LHLD-A802CBFA	2-2-46	AE		
"	7-2-46	AE		
LHLD-A803CBFZ	12-2-22	AG		
"	17-2-22	AG		
LHLD-A825CBPZ	2-2-18	AE		
"	7-2-18	AE		
LPLTMA399CBP0	1-2-78	AD		
"	6-2-78	AD		
"	11-2-78	AD		
"	16-2-78	AD		
LPLTMA818CBPZ	7-2-31	AG		
LPLTMA822CBPZ	2-2-31	AK		
LPLTMA826CBPZ	2-2-67	AE		
"	7-2-67	AE		
"	12-2-67	AE		
"	17-2-67	AE		
LPLTMA840CBPZ	12-2-19	AE		
"	17-2-19	AE		
LPLTMA846CBMZ	3-3-11-4	AF		
"	8-3-11-4	AF		
"	13-3-11-4	AF		
"	18-3-11-4	AF		
LPLTMA847CBPZ	17-2-31	AH		
LPLTMA848CBPZ	12-2-31	AH		
LPLTPA478CBTA	3-3-6	AH		
"	8-3-6	AH		
LPLTPA479CBTA	3-3-7	AH		
"	8-3-7	AH		
LPLTPA480CBPZ	3-3-8	AF		
"	8-3-8	AF		
LPLTPA481CBPZ	3-3-9	AF		
"	8-3-9	AF		
LPLTPA490CBZZ	12-2-89	AE		
"	17-2-89	AE		
LPLTPA491CBFA	13-3-6	AP		
"	18-3-6	AP		
LPLTPA492CBFA	13-3-16	AP		
"	18-3-16	AP		
LSTP-A064CBMZ	3-3-11-1	AE		
"	8-3-11-1	AE		
"	13-3-11-1	AE		
"	18-3-11-1	AE		
LSTPMA028CBMZ	3-3-1-1	AE		
"	8-3-1-1	AE		
"	13-3-1-1	AE		
"	18-3-1-1	AE		
LSTPPA158CBFA	3-3-1-2	AE		
"	8-3-1-2	AE		
"	13-3-1-2	AE		
"	18-3-1-2	AE		
LSTPPA159CBFA	3-3-11-2	AE		
"	8-3-11-2	AE		
"	13-3-11-2	AE		
"	18-3-11-2	AE		

SJPT690RS

PARTS CODE	No.	PRICE RANK	NEW MARK	PART RANK
LSTPPA161CBFA	2-2-40	AE		
"	7-2-40	AE		
"	12-2-40	AE		
"	17-2-40	AE		
LSTYPA047CBFA	4-5-22	AN		
"	9-5-22	AN		
"	14-5-22	AN		
"	19-5-22	AN		
LX-BZA090CBZZ	1-4-15	AC		
"	6-4-15	AC		
"	11-4-15	AC		
"	16-4-15	AC		
LX-BZA091CBZZ	3-3-10	AD		
"	8-3-10	AD		
LX-WZA035CBZZ	1-4-17	AB		
"	6-4-17	AB		
"	11-4-17	AB		
"	16-4-17	AB		
[M]				
MLOV-A064CBFA	7-2-33	AR		
"	17-2-33	AR		
MLOV-A065CBFA	2-2-33	AR		
"	12-2-33	AR		
[N]				
NBRGPA022CBFA	3-3-11-3	AC		
"	8-3-11-3	AC		
[P]				
PBOX-A164CBFA	1-2-80	AM		
"	6-2-80	AM		
"	11-2-80	AM		
"	16-2-80	AM		
PCAP-A006CBFW	12-2-55	AB		
"	17-2-55	AB		
PCAP-A006CBFY	12-2-54	AB		
"	17-2-54	AB		
PCAP-A055CBFF	3-3-20	AE		
"	8-3-20	AE		
PCAP-A055CBFG	3-3-20	AD		
"	8-3-20	AD		
PCAP-A055CBFH	3-3-20	AC		
"	8-3-20	AC		
PCAP-A077CBFH	12-2-54	AD		
"	17-2-54	AD		
PCMPLA296CBZZ	1-6-1	BZ		
"	6-6-1	BZ		
"	11-6-1	BZ		
"	16-6-1	BZ		
PCOV-A390CBFA	12-2-52	AH		
"	17-2-52	AH		
PCOV-A391CBRA	2-2-51	AH		
"	7-2-51	AH		
PCOV-A392CBRA	2-2-52	AG		
"	7-2-52	AG		
PCOV-A395CBRA	12-2-51	AH		
"	17-2-51	AH		
PCOV-A396CBPZ	1-2-81	AF		
"	6-2-81	AF		
"	11-2-81	AF		
"	16-2-81	AF		
PCOVMA005CBYZ	1-2-82	AF		
"	6-2-82	AF		
"	11-2-82	AF		
"	16-2-82	AF		
PCOVPA271CBEZ	1-6-9	AH		
"	6-6-9	AH		
"	11-6-9	AH		
"	16-6-9	AH		
PEVA-A180CBZZ	2-6-8	BE		
"	7-6-8	BE		
"	12-6-8	BE		
"	17-6-8	BE		
PFIL-A047CBEZ	2-2-36	AC		
"	7-2-36	AC		
"	12-2-36	AC		
"	17-2-36	AC		
PFIL-A050CBEZ	2-2-37	AM		
"	7-2-37	AM		
PGID-A172CBFZ	2-2-23	AK		
"	7-2-23	AK		
"	12-2-23	AK		
"	17-2-23	AK		
PGID-A173CBFZ	2-2-24	AK		

PARTS CODE	No.	PRICE RANK	NEW MARK	PART RANK
"	7-2-24	AK		
"	12-2-24	AK		
"	17-2-24	AK		
PGID-A174CBFZ	7-2-34	AH		
"	17-2-34	AH		
PGID-A176CBFZ	2-2-34	AG		
"	12-2-34	AG		
PGID-A177CBFZ	12-2-30	AG		
"	17-2-30	AG		
PGUM-A003CBF0	1-6-16	AH		
"	6-6-16	AH		
"	11-6-16	AH		
"	16-6-16	AH		
PGUM-A004CBF0	1-6-14	AH		
"	6-6-14	AH		
"	11-6-14	AH		
"	16-6-14	AH		
PPACGA268CBZA	3-3-30	AL		
"	8-3-30	AL		
"	13-3-30	AL		
"	18-3-30	AL		
PIPCA517CBZZ	1-6-18	AE		
"	6-6-18	AE		
"	11-6-18	AE		
"	16-6-18	AE		
PIPCA551CBZZ	1-6-19	AF		
"	6-6-19	AF		
"	11-6-19	AF		
"	16-6-19	AF		
PIPCA624CBZZ	1-6-11	AM		
"	6-6-11	AM		
"	11-6-11	AM		
"	16-6-11	AM		
PIPCA625CBZZ	1-6-12	AL		
"	6-6-12	AL		
"	11-6-12	AL		
"	16-6-12	AL		
PSEL-C669CBZZ	2-2-25	AD		
"	7-2-25	AD		
"	12-2-25	AD		
"	17-2-25	AD		
PSEL-C955CBZZ	2-2-26	AE		
"	7-2-26	AE		
"	12-2-26	AE		
"	17-2-26	AE		
PSEL-C956CBZZ	2-2-27	AE		
"	7-2-27	AE		
"	12-2-27	AE		
"	17-2-27	AE		
PSEL-C958CBZZ	2-2-29	AH		
"	7-2-29	AH		
"	12-2-29	AH		
"	17-2-29	AH		
PSEL-C959CBZZ	2-2-61	AE		
"	7-2-61	AE		
"	12-2-61	AE		
"	17-2-61	AE		
PSEL-C960CBZZ	2-2-62	AE		
"	7-2-62	AE		
"	12-2-62	AE		
"	17-2-62	AE		
PSEL-C961CBZZ	2-2-63	AH		
"	7-2-63	AH		
"	12-2-63	AH		
"	17-2-63	AH		
PSEL-C962CBZZ	2-2-64	AE		
"	7-2-64	AE		
"	12-2-64	AE		
"	17-2-64	AE		
PSEL-C966CBZZ	7-2-35	AE		
"	17-2-35	AE		
PSEL-C968CBZZ	2-2-35	AE		
"	12-2-35	AE		
PSEL-D085CBZZ	2-2-49	AD		
"	7-2-49	AD		
"	12-2-49	AD		
"	17-2-49	AD		
PSHEMA359CBTZ	2-2-66	AP		
"	7-2-66	AP		
"	12-2-66	AP		
"	17-2-66	AP		
PSHEPA084CBZZ	1-2-83	AG		

PARTS CODE	No.	PRICE RANK	NEW MARK	PART RANK
"	6-2-83	AG		
"	11-2-83	AG		
"	16-2-83	AG		
PSPAFA047CBEZ	1-6-3	AE		
"	6-6-3	AE		
"	11-6-3	AE		
"	16-6-3	AE		
PSPAGA054CBEZ	1-6-2	AH		
"	6-6-2	AH		
"	11-6-2	AH		
"	16-6-2	AH		
[Q]				
QACC-A156CBZZ	11-1-9	AQ		
"	16-1-9	AQ		
QACC-A192CBZZ	1-1-9	AU		
"	6-1-9	AU		
QCNW-B021CBZZ	1-1-32	AC		
"	6-1-32	AC		
"	11-1-32	AC		
"	16-1-32	AC		
QCNW-B256CBZZ	2-1-55	AP		
"	7-1-55	AP		
QCNW-B257CBZZ	2-1-56	AP		
"	7-1-56	AP		
QCNW-B258CBZZ	2-1-57	AP		
"	7-1-57	AP		
"	12-1-57	AP		
"	17-1-57	AP		
QCNW-B259CBZZ	1-1-59	AP		
"	6-1-59	AP		
"	11-1-59	AP		
"	16-1-59	AP		
QCNW-B262CBZZ	12-1-58	AP		
"	17-1-58	AP		
QCNW-B270CBZZ	12-1-55	AH		
"	17-1-55	AH		
QCNW-B283CBZZ	1-1-36	AG		
"	6-1-36	AG		
"	11-1-36	AG		
"	16-1-36	AG		
QCNW-B294CBZZ	1-1-35	AG		
"	6-1-35	AG		
QSW-PA097CBZA	2-1-10	AG		
"	7-1-10	AG		
"	12-1-10	AG		
"	17-1-10	AG		
QTAN-A012CBE0	14-11	AH		
"	64-11	AH		
"	114-11	AH		
"	164-11	AH		
QTAN-A013CBE0	14-10	AH		
"	64-10	AH		
"	114-10	AH		
"	164-10	AH		
[R]				
RC-EZA254CBZZ	1-1-31	AS		
"	6-1-31	AS		
"	11-1-31	AS		
"	16-1-31	AS		
RCILFA011CBZZ	1-1-61	AV		
"	6-1-61	AV		
RH-HXA103CBZZ	2-1-2	AZ		
"	7-1-2	AZ		
"	12-1-2	AZ		
"	17-1-2	AZ		
RH-HXA104CBZZ	2-1-1	AZ		
"	7-1-1	AZ		
"	12-1-1	AZ		
"	17-1-1	AZ		
RH-HXA105CBZZ	2-1-3	AZ		
"	7-1-3	AZ		
"	12-1-3	AZ		
"	17-1-3	AZ		
RHOG-A189CBEZ	1-1-11	AZ		
"	6-1-11	AZ		
"	11-1-11	AZ		
"	16-1-11	AZ		
RMOTRA096CBZZ	2-1-6	BE		
"	7-1-6	BE		
"	12-1-6	BE		
"	17-1-6	BE		
RSTT-A179CBZZ	1-1-12	AR		

PARTS CODE	No.	PRICE RANK	NEW MARK	PART RANK
"	6-1-12	AR		
"	11-1-12	AR		
"	16-1-12	AR		
[S]				
SPAKCA340CBZZ	10-90-3	BA		
"	20-90-3	BA		
SPAKCA343CBZZ	5-90-3	AZ		
"	15-90-3	AZ		
[T]				
TINS-A824CBRZ	15-90-1	AK		
"	20-90-1	AK		
TINS-A825CBRZ	5-90-1	AM		
"	10-90-1	AM		
TLAB-A811CBR0	5-90-35	AF		
"	10-90-35	AF		
"	15-90-35	AF		
"	20-90-35	AF		
TLAB-A876CBRZ	12-90-2	AC		
"	17-90-2	AC		
TLAB-A985CBRZ	5-90-34	AF		
"	10-90-34	AF		
"	15-90-34	AF		
"	20-90-34	AF		
TLAB-B220CBRZ	4-90-33	AE		
"	9-90-33	AE		
"	14-90-33	AE		
"	19-90-33	AE		
TLAB-B396CBRZ	5-90-21	AG		
"	10-90-21	AG		
"	15-90-21	AG		
"	20-90-21	AG		
TLAB-B545CBRZ	10-90-12	AF		
"	20-90-12	AF		
TLAB-B547CBRZ	5-90-12	AG		
"	15-90-12	AG		
TLAB-B605CBRA	2-2-48	AE		
"	7-2-48	AE		
[U]				
UPOKPA251CBFB	4-5-10	AF		
"	9-5-10	AF		
"	14-5-10	AF		
"	19-5-10	AF		
UPOKPA308CBFA	4-5-3	AP		
"	9-5-3	AP		
"	14-5-3	AP		
"	19-5-3	AP		
UPOKPA309CBFA	4-5-5	AM		
"	9-5-5	AM		
"	14-5-5	AM		
"	19-5-5	AM		
UPOKPA310CBFA	4-5-6	AP		
"	9-5-6	AP		
"	14-5-6	AP		
"	19-5-6	AP		
UPOKPA312CBFA	4-5-9	AU		
"	9-5-9	AU		
"	14-5-9	AU		
"	19-5-9	AU		
UPOKPA314CBFA	9-5-8	AM		
"	19-5-8	AM		
USRA-A313CBFA	1-2-70	AP		
"	6-2-70	AP		
"	11-2-70	AP		
"	16-2-70	AP		
UTNA-A282CBFA	4-5-7	AH		
"	9-5-7	AH		
"	14-5-7	AH		
"	19-5-7	AH		
UTNA-A449CBFA	4-5-12	AZ		
"	9-5-12	AZ		
"	14-5-12	AZ		
"	19-5-12	AZ		
UTNA-A450CBFA	4-5-11	AP		
"	9-5-11	AP		
UYOK-A577CBFA	4-5-16	AZ		
"	9-5-16	AZ		
"	14-5-16	AZ		
"	19-5-16	AZ		
UYOK-A578CBFA	4-5-21	AZ		
"	9-5-21	AZ		
"	14-5-21	AZ		
"	19-5-21	AZ		

SJPT690RS

PARTS CODE	No.	PRICE RANK	NEW MARK	PART RANK
UYOK-A579CBFA	4-5-14	AM		
"	9-5-14	AM		
"	14-5-14	AM		
"	19-5-14	AM		