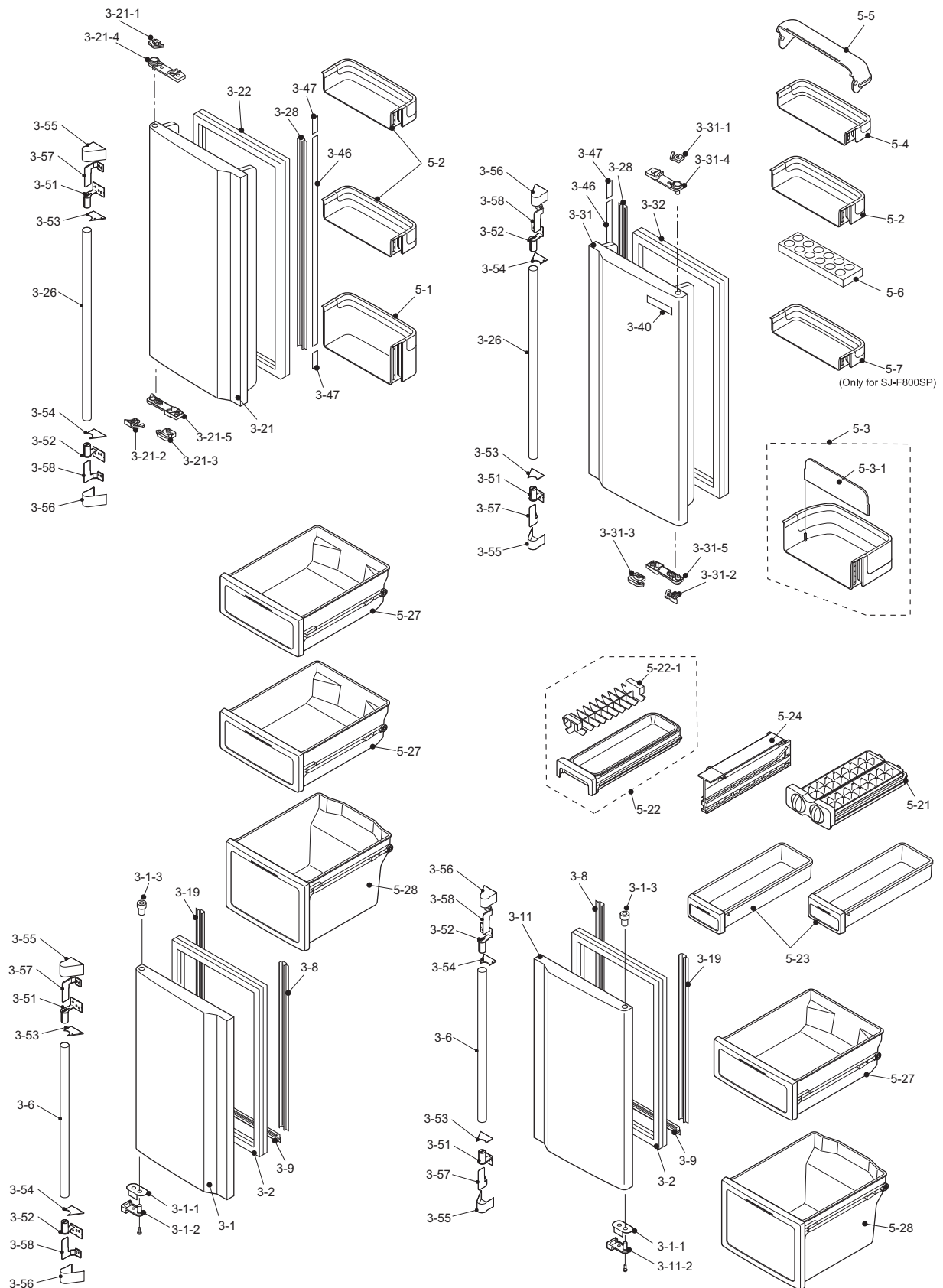
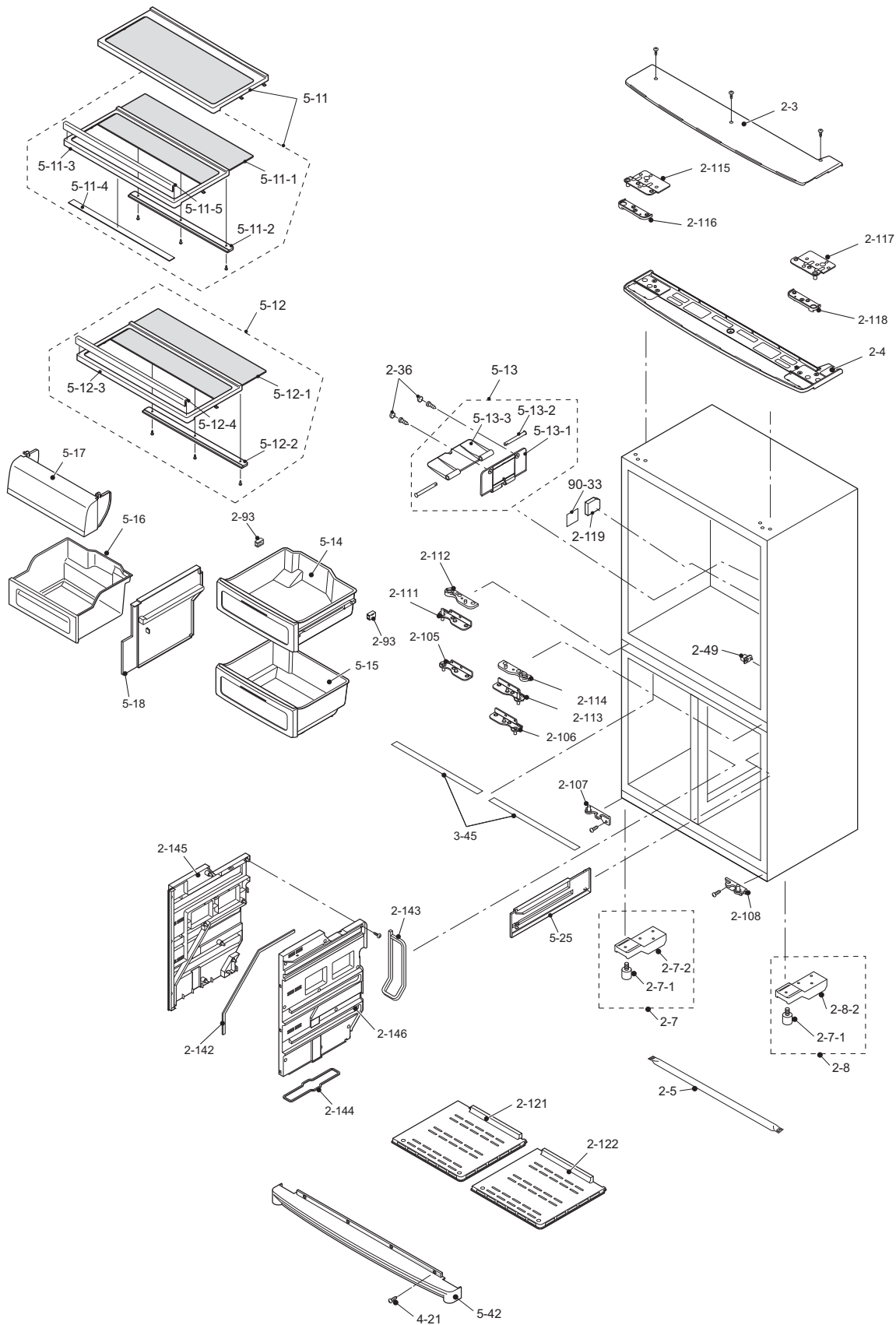


[6] SJ-F800SP DOOR

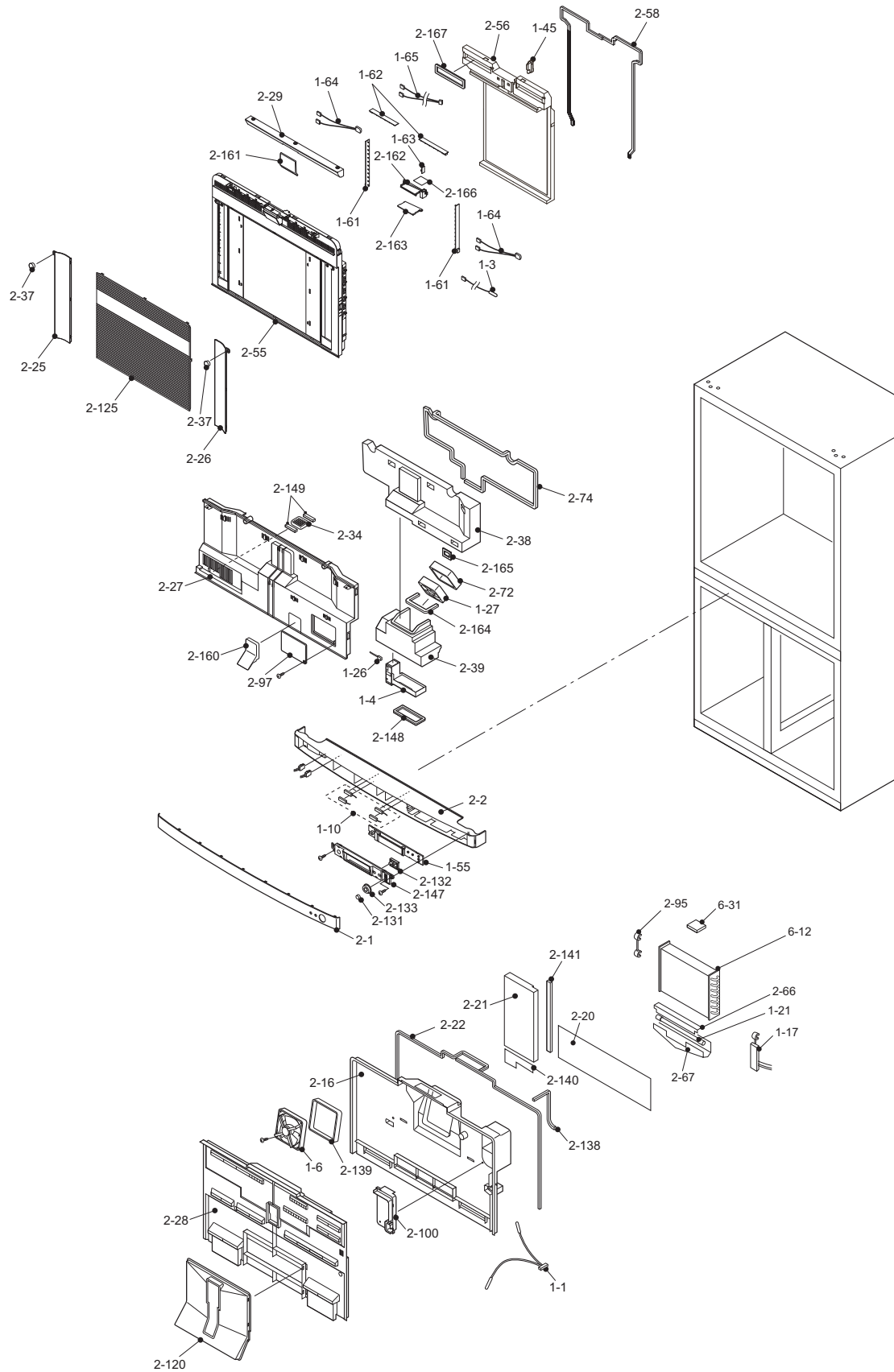


SJF800SPSL

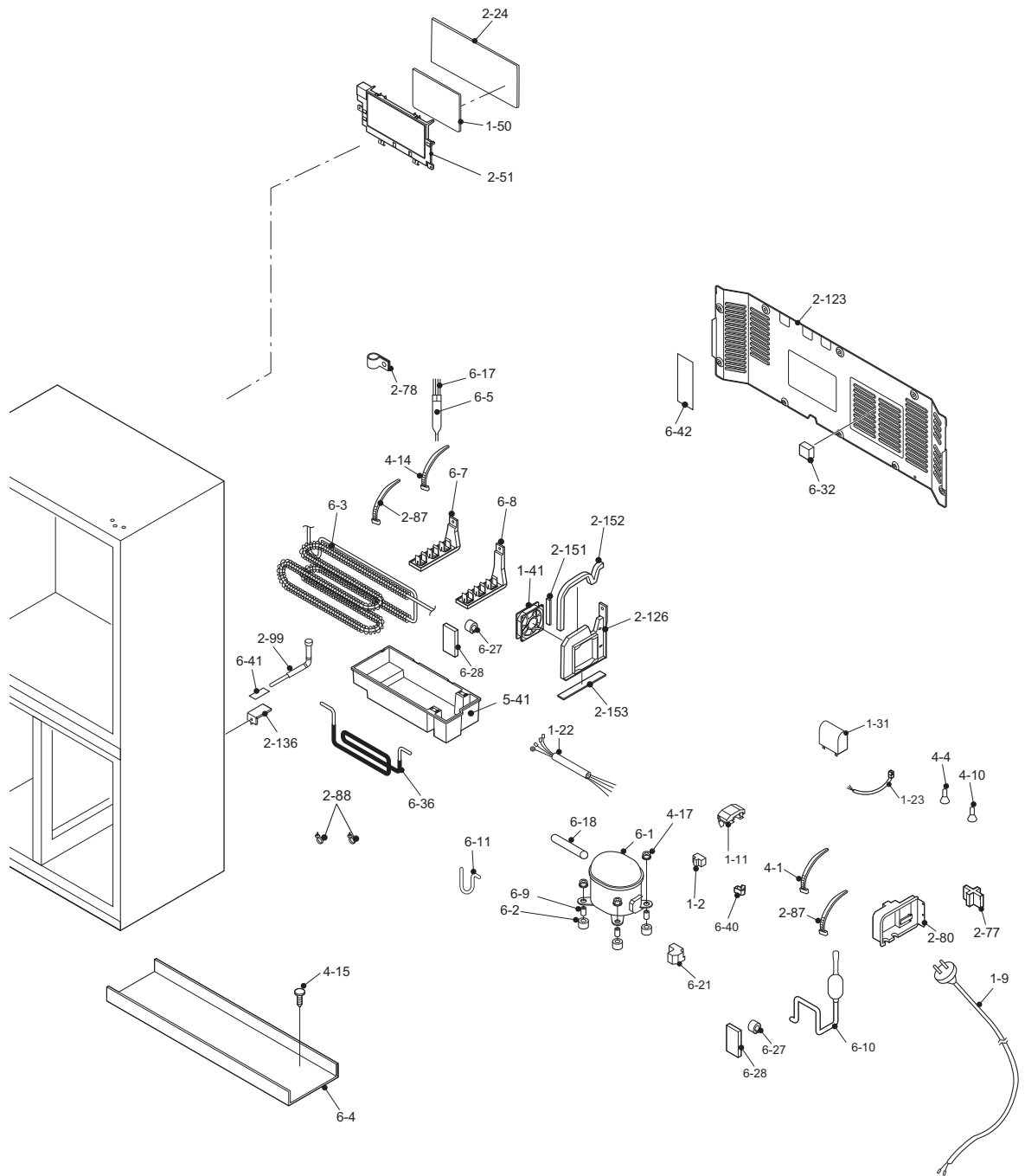
[7] SJ-F800SP CABINET1



[8] SJ-F800SP CABINET2



[9] SJ-F800SP CYCLE



NO.	PARTS CODE	PRICE RANK	NEW MARK	PART RANK	DESCRIPTION
[9] SJ-F800SP CYCLE					
1-2	RSTT-A179CBZZ	AR			Ptc relay
1-9	QACC-A156CBZZ	AQ			Source cord
1-11	RHOG-A189CBEZ	AZ			Protector
1-22	FCNW-A860CBZZ	AH			Relay wire assy
1-23	QCNW-A916CBZZ	AE			Relay wire sc
1-31	RC-EZA254CBZZ	AS			Running capacitor
1-41	RMOTRA097CBZZ	BA			C fan motor
1-50	FPWB-A661CBKZ	BP			Pwb-s ass'y
2-24	GCOVPA200CBFB	AR			Terminal cover [SL]
2-24	GCOVPA200CBFC	AR			Terminal cover [BK]
2-51	LHLD-A711CBFA	AQ			Pwb holder