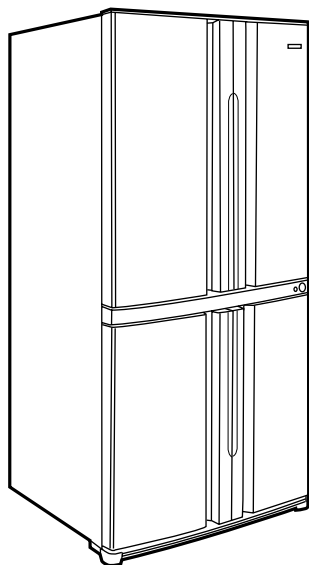


SHARP PARTS GUIDE

Refrigerator-freezer

MODEL

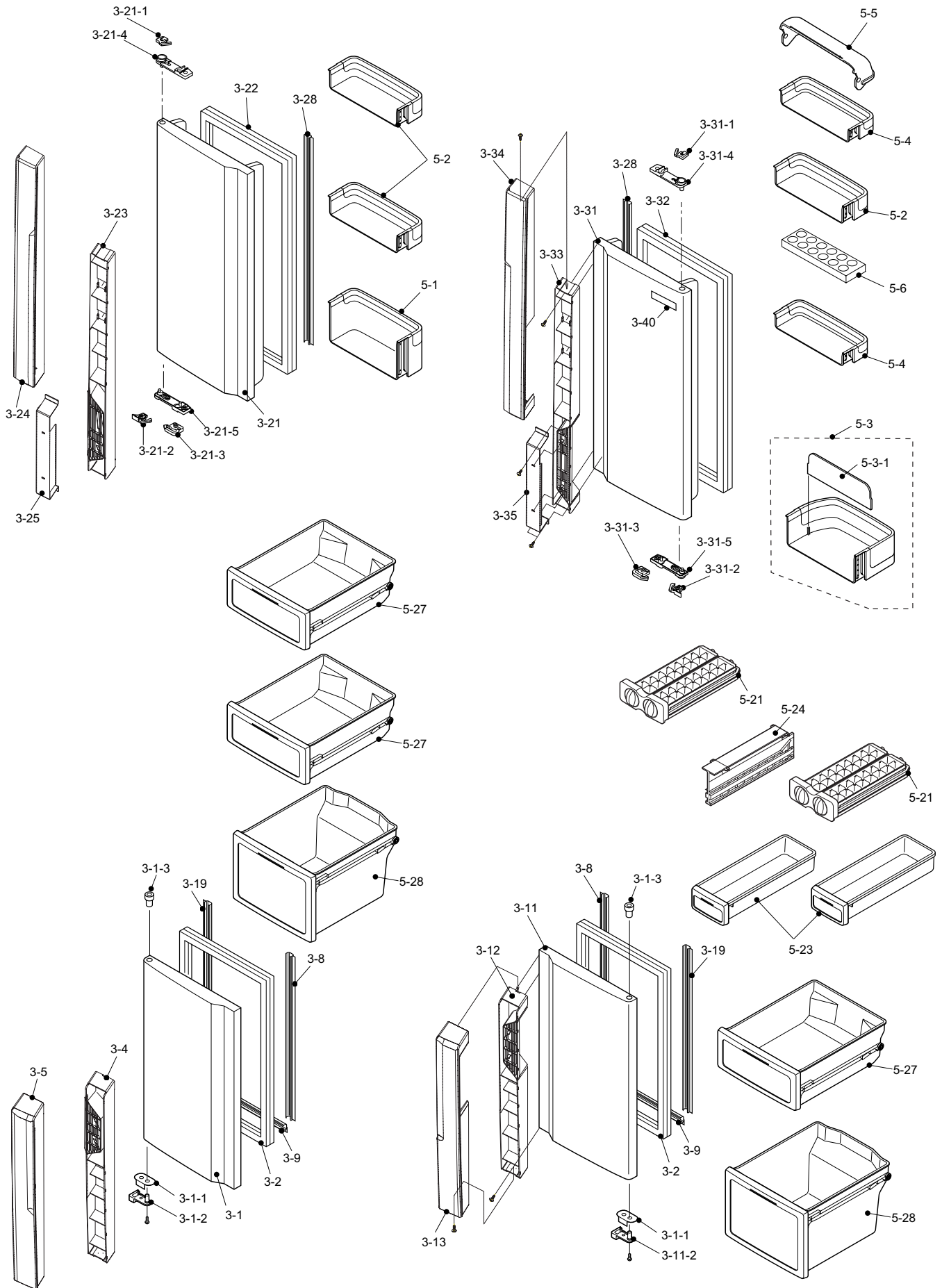
SJ-F72PV-SL



CONTENTS

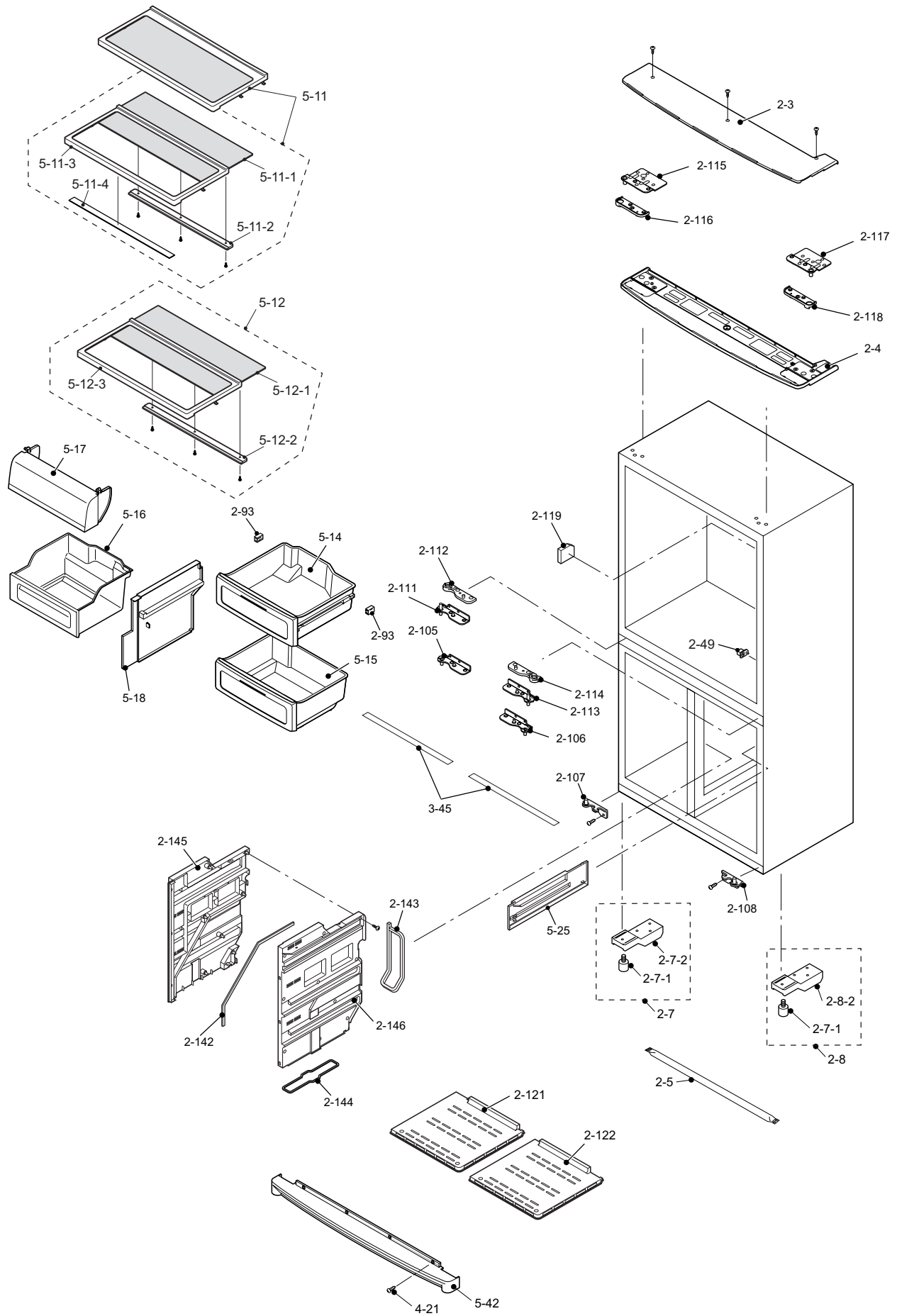
- | | |
|-----------------------|------------------------|
| [1] SJ-F72PV DOOR | [4] SJ-F72PV BACK SIDE |
| [2] SJ-F72PV CABINET1 | [5] SJ-F72PV OTHERS |
| [3] SJ-F72PV CABINET2 | ■ INDEX |

[1] SJ-F72PV DOOR



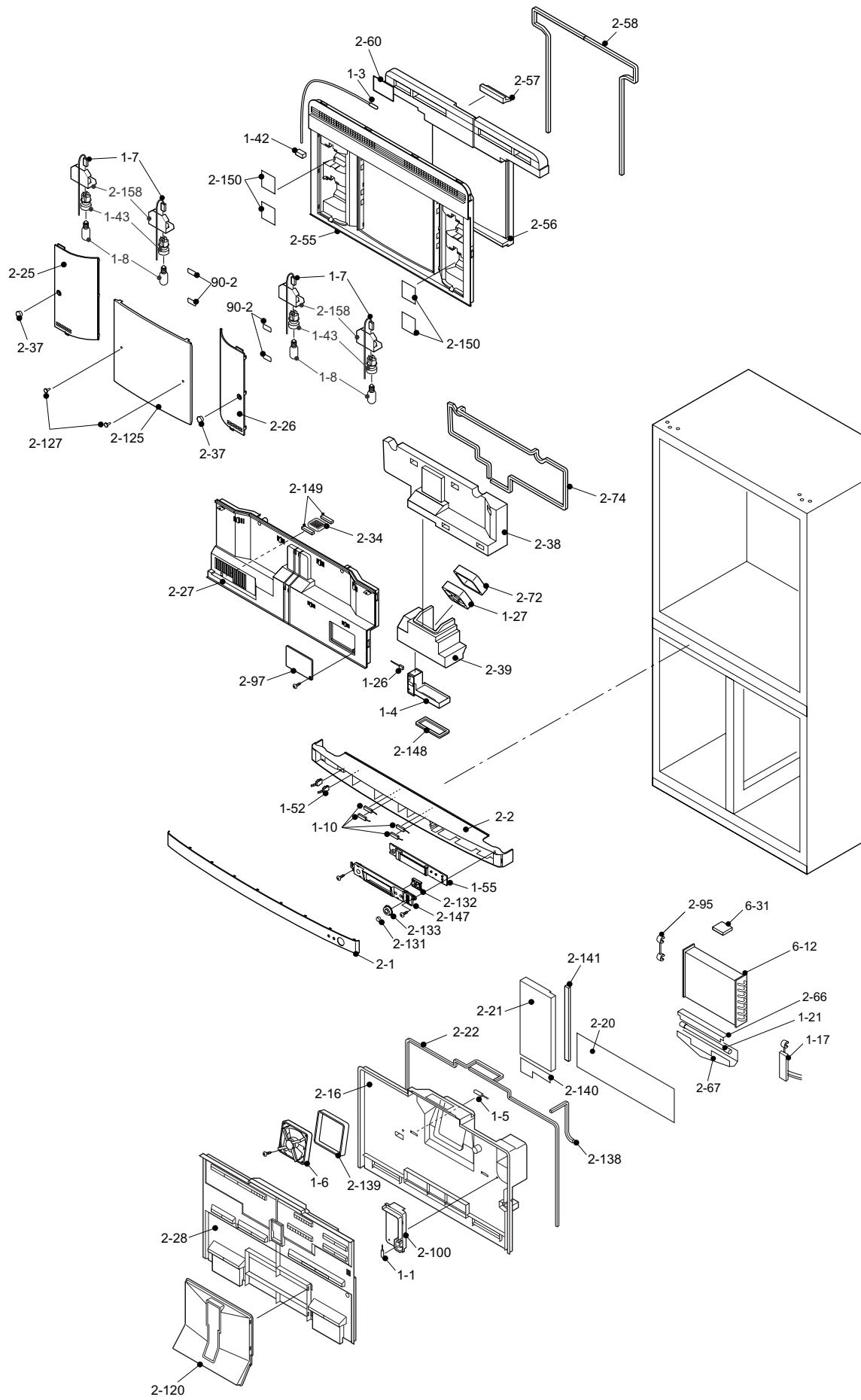
NO.	PARTS CODE	PRICE RANK	NEW MARK	PART RANK	DESCRIPTION
[1] SJ-F72PV DOOR					
3-1	FDORFB965CBKZ	BQ			F-door l ass'y
3-1-1	LSTPMA008CBM0	AD			F-door stopper r
3-1-2	LSTPPA146CBFA	AF			Fd-stp spring l
3-1-3	NBRGPA022CBFA	AC			Nylon bearing 3s
3-2	FPACGA431CBYA	AT			F door packing
3-4	JHNDPA246CBFA	AS			Fd-hd base l
3-5	JHNDPA247CBTA	AX			Fd-hd cover l
3-8	PPACGA226CBZA	AM			F-sub packing a
3-9	PPACGA227CBZA	AK			F-sub packing b
3-11	FDORFB966CBKZ	BQ			F-door r ass'y
3-11-2	LSTPPA147CBFA	AF			Fd-stp spring r
3-12	JHNDPA248CBFA	AS			Fd-hd base r
3-13	JHNDPA249CBTA	AX			Fd-hd cover r
3-19	PPACGA241CBZA	AK			F-sub packing c
3-21	FDORRB848CBKZ	BT			R-door l ass'y
3-21-1	LSTPPA150CBFA	AF			Stp-spring tl
3-21-2	LSTPPA151CBFA	AF			Stp-spring bl
3-21-3	LSTPPA152CBFA	AF			R lock spring l
3-21-4	MSLI-A070CBFA	AE			Door cam tl
3-21-5	MSLI-A071CBFA	AE			Door cam bl
3-22	FPACGA433CBYZ	AW			R door packin l
3-23	JHNDPA254CBFA	AT			Rd-hd base l
3-24	JHNDPA255CBTA	AX			Rd-hd cover l
3-25	LPLTMA814CBPZ	AZ			Rd-hd support l
3-28	PPACGA234CBZZ	AM			R-sub packing
3-31	FDORRB849CBKZ	BT			R-door r ass'y
3-31-1	LSTPPA148CBFA	AF			Stp-spring tr
3-31-2	LSTPPA149CBFA	AF			Stp-spring br
3-31-3	LSTPPA153CBFA	AF			R lock spring r
3-31-4	MSLI-A068CBFA	AE			Door cam tr
3-31-5	MSLI-A069CBFA	AE			Door cam br
3-32	FPACGA443CBYZ	AX			R door packin r
3-33	JHNDPA256CBFA	AT			Rd-hd base r
3-34	JHNDPA257CBTA	AX			Rd-hd cover r
3-35	LPLTMA815CBPZ	AZ			Rd-hd support r
3-40	HBDGDB006CBZA	AZ			Badge
5-1	FPOK-A242CBKZ	AX			Btl-pok l ass'y
5-2	FPOK-A243CBKZ	AV			Door pocket ass'y
5-3	FPOK-A244CBKZ	AZ			Btl-pok r ass'y
5-3-1	LSTYPA044CBFA	AL			B-pok partition
5-4	FPOK-A245CBKZ	AT			Utility pok ass'y
5-5	GDORPA078CBFA	AN			U-pok door
5-6	UTNA-A397CBFA	AH			Egg tray
5-21	FSRA-A244CBYZ	AP			Ice cube maker
5-23	FYOK-A232CBKZ	AV			Ice storage assy
5-24	LSTYPA043CBFA	AW			I-case stay
5-27	FYOK-A231CBKZ	BC			F-case s ass'y
5-28	FYOK-A230CBKZ	BE			F-case l ass'y

[2] SJ-F72PV CABINET1



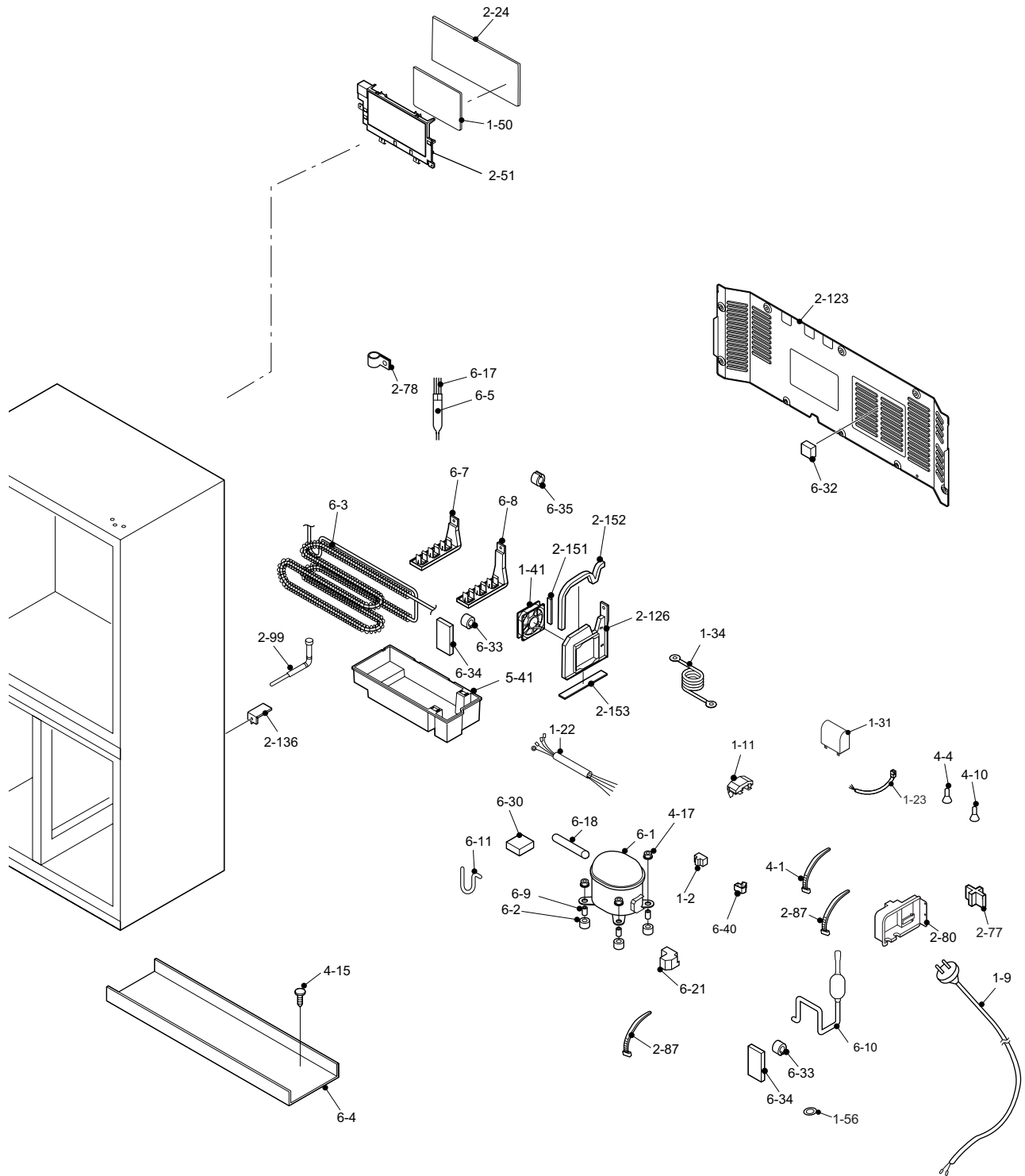
NO.	PARTS CODE	PRICE RANK	NEW MARK	PART RANK	DESCRIPTION
[2] SJ-F72PV CABINET1					
2-3	PCOVPA398CBFB	AQ			Hinge cover
2-4	LPLTPA399CBFA	AW			Hinge support
2-5	JHNDMA025CBPZ	AE			Carrying bar
2-7	FLEGPA127CBKZ	AN			Leg holder-ls k
2-7-1	FAJS-A028CBKZ	AZ			Adjustable leg ass'y
2-7-2	FLEGPA123CBYZ	AH			Leg holder-lk
2-8	FLEGPA128CBKZ	AN			Leg holder-rs k
2-8-2	FLEGPA124CBYZ	AH			Leg holder-rk
2-49	LSTPPA108CBFA	AC			Chilled stopper
2-93	PCAP-A068CBFA	AC			C sliding cap a
2-105	DHNG-A537CBMZ	BA			F-hinge lt assy
2-106	DHNG-A538CBMZ	BA			F-hinge rt assy
2-107	DHNG-A539CBMZ	BA			F-hinge lb assy
2-108	DHNG-A540CBMZ	BA			F-hinge rb assy
2-111	FHNG-A231CBMZ	AH			R-hinge lbk
2-112	MSLI-A072CBFA	AE			Hinge cam bl
2-113	FHNG-A232CBMZ	AH			R-hinge rbk
2-114	MSLI-A073CBFA	AE			Hinge cam br
2-115	FHNG-A233CBYZ	AH			R-hinge ltk
2-116	MSLI-A074CBFA	AE			Hinge cam tl
2-117	FHNG-A234CBYZ	AH			R-hinge rtk
2-118	MSLI-A075CBFA	AE			Hinge cam tr
2-119	FPLTPA107CBKZ	AM			Temp.meter ass'y
2-121	GCOV-A280CBFA	AV			F-ret cover bl
2-122	GCOV-A281CBFA	AV			F-ret cover br
2-142	PSEL-C558CBZZ	AD			Sealer c
2-143	PSEL-C559CBZZ	AD			Sealer d
2-144	PSEL-C560CBZZ	AD			Sealer e
2-145	PSKR-A327CBFA	AU			V-partition lfb
2-146	PSKR-A328CBFA	AU			V-partition rfb
3-45	PPACGA244CBZA	AF			F-sub packing d
4-21	LX-TZA091CBTA	AE			Special screw
5-11	FTNA-A418CBKZ	BE			R-shelf ass'y
5-11-1	UTNA-A396CBRA	AY			R-glass shelf
5-11-2	UWAKPA019CBFA	AM			G guard rb
5-11-3	UWAKPA021CBFA	AT			G guard r
5-11-4	LPLTMA753CBPZ	AP			R shelf support
5-12	FTNA-A417CBKZ	AZ			V-shelf ass'y
5-12-1	UTNA-A395CBRA	AY			V-glass shelf
5-12-2	UWAKPA018CBFA	AL			G guard vb
5-12-3	UWAKPA020CBFA	AT			G guard v
5-14	FYOK-A227CBKZ	AZ			Fruit case assy
5-15	FYOK-A228CBKZ	AZ			Fresh case assy
5-16	FYOK-A229CBKZ	AZ			V-case ass'y
5-17	GFTA-A101CBFA	AN			V-case door
5-18	LSTYPA042CBFA	AT			R-case stay
5-25	LRAL-A092CBFA	AM			Ice room rail
5-42	HGRL-A243CBFB	AS			Base cover

[3] SJ-F72PV CABINET2



NO.	PARTS CODE	PRICE RANK	NEW MARK	PART RANK	DESCRIPTION
[3] SJ-F72PV CABINET2					
1-1	RH-HXA066CBZZ	AT			F-thermistor
1-3	RH-HXA065CBZZ	AT			R-thermistor
1-4	DTHM-A031CBKZ	AX			Damper ass'y
1-5	RH-HXA067CBZZ	AT			Def-thermistor
1-6	RMOTRA096CBZZ	BE			F fan motor
1-7	QCNW-B239CBZZ	AM			Lead lamp
1-8	RLMP-A042CBZZ	AM			Lamp15w e14
1-10	QSW-LA015CBZZ	AQ			Reed sw
1-17	FFS-TA087CBKZ	AM			Fuse ass'y
1-21	FHETBA193CBZZ	BA			Defrost heater
1-26	QCNW-B146CBZZ	AK			Lead r-c box
1-27	RMOTRA095CBZZ	BA			R fan motor
1-42	QCNCMA108CBZZ	AG			Xmp-06v
1-43	QSOCAA096CBEZ	AK			Lamp socket
1-52	QCNW-B150CBZZ	AH			Pwb-harness
1-55	FPWB-A485CBKZ	BP			Led pwb s ass'y
2-1	HPNL-A463CBRA	AW			Control panel
2-2	GDAI-A078CBTA	AU			Control base
2-16	GCOV-A282CBFA	AV			Ev-cover
2-20	PSEL-C573CBZZ	AE			E.v.pe-al sheet
2-21	PFPPB565CBFZ	AE			Ev-cover insu
2-22	PSEL-C569CBZZ	AC			Ev-cover sealer
2-25	PCOV-A384CBFA	AN			R lamp cover l
2-26	PCOV-A385CBFA	AN			R lamp cover r
2-27	GCOVPA198CBFA	AT			R-c box cover
2-28	HGRL-A244CBFA	AX			Fan louver
2-34	PFIL-A047CBEZ	AC			Deodorizer
2-37	LHLD-A715CBFC	AE			Screw cover
2-38	PGID-A169CBFZ	AG			R air guider a
2-39	PGID-A170CBFZ	AE			R air guider b
2-55	MLOV-A051CBFA	AV			R-louver
2-56	PFPPB568CBFZ	AH			R-louver insu
2-57	PFPPB588CBFZ	AE			R-louver insu s
2-58	PSEL-C567CBZZ	AC			A-sealer r-lv b
2-60	PSEL-C673CBZZ	AE			Th sealer
2-66	PSHEMA296CBPZ	AC			Heater cover
2-67	LPLTPA428CBPZ	AQ			Heater support
2-72	PSEL-C562CBZZ	AC			A-sealer rc-a
2-74	PSEL-C564CBZZ	AG			A-sealer rc-c
2-95	LANG-A064CBPZ	AF			Eva holder 75
2-97	PCOV-A340CBFA	AF			R con cover s
2-100	GCOVPA199CBFZ	AF			Connect cover
2-120	GCOV-A279CBFA	AM			F return cover
2-125	LPLTMA798CBPZ	BB			Al panel
2-127	LHLD-A405CBEA	AC			Clip
2-131	JBTN-A030CBMA	AH			Button
2-132	JBTN-A033CB1A	AK			Button l
2-133	JBTN-A032CBMA	AH			Button j
2-138	PSEL-C600CBZZ	AD			Ev-cov.sealer b
2-139	PSEL-C601CBZZ	AE			Ev-cov.sealer c
2-140	PSEL-C640CBZZ	AD			Ev-c sealer l
2-141	PSEL-C661CBZZ	AD			Sealer fm
2-147	LHLD-A713CBFA	AE			Lcd-pwb holder
2-148	PSEL-C669CBZZ	AD			A-sealer rc-d
2-149	PSEL-C081CBEZ	AA			A-sealer ag4
2-150	PSHEMA334CBPZ	AN			Reflect al 70
2-158	LHLD-A785CBFA	AD			Socket holder
6-12	PEVA-A156CBZZ	BE			Evaporator
6-31	PKYU-A035CBE0	AG			Sp-butyl h
90-2	TLAB-A876CBRZ	AC			Warning label

[4] SJ-F72PV BACK SIDE



NO.	PARTS CODE	PRICE RANK	NEW MARK	PART RANK	DESCRIPTION
[4] SJ-F72PV BACK SIDE					
1-2	RSTT-A179CBZZ	AR			Ptc relay
1-9	QACC-A173CBZZ	AY			Source cord
1-11	RHOG-A189CBEZ	AZ			Protector
1-22	FCNW-A860CBZZ	AH			Relay wire assy
1-23	QCNW-A916CBZZ	AE			Reraf wire sc
1-31	RC-EZA190CBEZ	AW			Running capacitor
1-34	QCNW-A968CBZZ	AC			Earth wire
1-41	RMOTRA097CBZZ	BA			C fan motor
1-50	FPWB-A483CBKZ	BS			Pwb-s ass'y
1-56	RCILFA011CBZZ	AV			Emi core esd-r-38
2-24	GCOVPA200CBFB	AR			Terminal cover
2-51	LHLD-A711CBFA	AQ			Pwb holder

NO.	PARTS CODE	PRICE RANK	NEW MARK	PART RANK	DESCRIPTION
[4] SJ-F72PV BACK SIDE					
2-77	LHLD-A359CBFA	AE			T-box holder
2-78	LPLTMA399CBP0	AD			Dryer support
2-80	PBOX-A148CBFA	AE			Terminal box
2-87	LBND-A018CBE0	AP			Fastening band a
2-99	PPIPPA126CBFZ	AF			Drain pipe s
2-123	GCOV-A283CBPZ	AH			Comp.cover
2-126	LHLD-A710CBFZ	AH			Cfm frame
2-136	LPLTMA553CBP0	AM			Ev.pan support
2-151	PSEL-C555CBZZ	AD			U-sealer rd
2-152	PSEL-C571CBZZ	AC			Sealer
2-153	PSEL-C662CBZZ	AD			Sealer fm-b
4-1	LBND-A023CBE0	AC			L-band c
4-4	QTAN-A012CBE0	AH			Solderless term. b
4-10	QTAN-A013CBE0	AH			Solderless term. a
4-15	LX-BZA090CBZZ	AC			Special screw
4-17	LX-WZA035CBZZ	AB			Washer
5-41	USRA-A297CBFA	AP			Drain pan
6-1	PCMPLA262CBZZ	CA			Compressor
6-2	PKYU-A173CBKZ	AS			Rubber mount ass'y
6-3	FCONSA101CBZZ	BB			Sub condenser
6-4	FFRM-A145CBKZ	AM			Base frame assy
6-5	FDRY-A006CBK0	AX			Dryer ass'y
6-7	LPLTPA418CBFA	AF			S-con support l
6-8	LPLTPA419CBFA	AF			S-con support r
6-9	PSPAFA055CBEZ	AP			Sleeve
6-10	PPIPCA533CBZZ	AW			Dcp connector
6-11	PPIPCA534CBZZ	AW			Sp-connector
6-17	PPIPCA252CBE0	AD			Charge pipe
6-18	PPIPCA518CBZZ	AE			Chrg pipe hc l
6-21	PCOVPA271CBEZ	AH			Terminal cover
6-30	PKYU-A098CBE0	AG			Compressor butyl
6-32	PGUM-A027CBFZ	AF			Comp. spacer-e
6-33	PGUM-A004CBF0	AH			Absorbent rubber a
6-34	PKYU-A175CBZZ	AF			Sub-con p iir a
6-35	PKYU-A176CBZZ	AF			Sub-con p iir b
6-40	LHLD-A465CBE0	AG			Cord clip
[5] SJ-F72PV OTHERS					
90-1	TINS-A784CBRZ	AF			Operation manual
90-3	SPAKCA225CBZZ	BE			Packing case 70
90-6	CPADBA076CBKZ	AU			Bottom pad ass'y
90-7	CPADBA077CBKZ	AU			Top pad ass'y
90-8	TINSEA046CBRZ	AG			Set label
90-12	TLAB-B481CBRZ	AF			Energy label
90-21	TLAB-B396CBRZ	AG			Caution label rof-hc
90-33	TLAB-B220CBRZ	AE			Temp.caution label

INDEX

PARTS CODE	No.	PRICE RANK	NEW MARK	PART RANK
[C]				
CPADBA076CBKZ	5-90-6	AU		
CPADBA077CBKZ	5-90-7	AU		
[D]				
DHNG-A537CBMZ	2-2-105	BA		
DHNG-A538CBMZ	2-2-106	BA		
DHNG-A539CBMZ	2-2-107	BA		
DHNG-A540CBMZ	2-2-108	BA		
DTHM-A031CBKZ	3-1-4	AX		
[F]				
FAJS-A028CBKZ	2-2-7-1	AZ		
FCNW-A860CBZZ	4-1-22	AH		
FCONSA101CBZZ	4-6-3	BB		
FDORFB965CBKZ	1-3-1	BQ		
FDORFB966CBKZ	1-3-11	BQ		
FDORRB848CBKZ	1-3-21	BT		
FDORRB849CBKZ	1-3-31	BT		
FDRY-A006CBK0	4-6-5	AX		
FFRM-A145CBKZ	4-6-4	AM		
FFS-TA087CBKZ	3-1-17	AM		
FHETBA193CBZZ	3-1-21	BA		
FHNG-A231CBMZ	2-2-111	AH		
FHNG-A232CBMZ	2-2-113	AH		
FHNG-A233CBYZ	2-2-115	AH		
FHNG-A234CBYZ	2-2-117	AH		
FLEGPA123CBYZ	2-2-7-2	AH		
FLEGPA124CBYZ	2-2-8-2	AH		
FLEGPA127CBKZ	2-2-7	AN		
FLEGPA128CBKZ	2-2-8	AN		
FPACGA431CBYA	1-3-2	AT		
FPACGA433CBYZ	1-3-22	AW		
FPACGA443CBYZ	1-3-32	AX		
FPPLTPA107CBKZ	2-2-119	AM		
FPOK-A242CBKZ	1-5-1	AX		
FPOK-A243CBKZ	1-5-2	AV		
FPOK-A244CBKZ	1-5-3	AZ		
FPOK-A245CBKZ	1-5-4	AT		
FPWB-A483CBKZ	4-1-50	BS		
FPWB-A485CBKZ	3-1-55	BP		
FSRA-A244CBYZ	1-5-21	AP		
FTNA-A417CBKZ	2-5-12	AZ		
FTNA-A418CBKZ	2-5-11	BE		
FYOK-A227CBKZ	2-5-14	AZ		
FYOK-A228CBKZ	2-5-15	AZ		
FYOK-A229CBKZ	2-5-16	AZ		
FYOK-A230CBKZ	1-5-28	BE		
FYOK-A231CBKZ	1-5-27	BC		
FYOK-A232CBKZ	1-5-23	AV		
[G]				
GCOV-A279CBFA	3-2-120	AM		
GCOV-A280CBFA	2-2-121	AV		
GCOV-A281CBFA	2-2-122	AV		
GCOV-A282CBFA	3-2-16	AV		
GCOV-A283CBPZ	4-2-123	AH		
GCOVPA198CBFA	3-2-27	AT		
GCOVPA199CBFZ	3-2-100	AF		
GCOVPA200CBFB	4-2-24	AR		
GDAI-A078CBTA	3-2-2	AU		
GDORPA078CBFA	1-5-5	AN		
GFTA-A101CBFA	2-5-17	AN		
[H]				
HBDGDB006CBZA	1-3-40	AZ		
HGRL-A243CBFB	2-5-42	AS		
HGRL-A244CBFA	3-2-28	AX		
HPNL-A463CBRA	3-2-1	AW		
[J]				
JBTN-A030CBMA	3-2-131	AH		
JBTN-A032CBMA	3-2-133	AH		
JBTN-A033CB1A	3-2-132	AK		
JHNDMA025CBPZ	2-2-5	AE		
JHNDPA246CBFA	1-3-4	AS		
JHNDPA247CBTA	1-3-5	AX		
JHNDPA248CBFA	1-3-12	AS		
JHNDPA249CBTA	1-3-13	AX		
JHNDPA254CBFA	1-3-23	AT		
JHNDPA255CBTA	1-3-24	AX		
JHNDPA256CBFA	1-3-33	AT		
JHNDPA257CBTA	1-3-34	AX		
[L]				

PARTS CODE	No.	PRICE RANK	NEW MARK	PART RANK
LANG-A064CBPZ	3-2-95	AF		
LBND-A018CBE0	4-2-87	AP		
LBND-A023CBE0	4-4-1	AC		
LHLD-A359CBFA	4-2-77	AE		
LHLD-A405CBEA	3-2-127	AC		
LHLD-A465CBE0	4-6-40	AG		
LHLD-A710CBFZ	4-2-126	AH		
LHLD-A711CBFA	4-2-51	AQ		
LHLD-A713CBFA	3-2-147	AE		
LHLD-A715CBFC	3-2-37	AE		
LHLD-A785CBFA	3-2-158	AD		
LPLTMA399CBP0	4-2-78	AD		
LPLTMA553CBP0	4-2-136	AM		
LPLTMA753CBPZ	2-5-11-4	AP		
LPLTMA798CBPZ	3-2-125	BB		
LPLTMA814CBPZ	1-3-25	AZ		
LPLTMA815CBPZ	1-3-35	AZ		
LPLTPA399CBFA	2-2-4	AW		
LPLTPA418CBFA	4-6-7	AF		
LPLTPA419CBFA	4-6-8	AF		
LPLTPA428CBPZ	3-2-67	AF		
LRAL-A092CBFA	2-5-25	AM		
LSTPMA008CBM0	1-3-1-1	AD		
LSTPPA108CBFA	2-2-49	AC		
LSTPPA146CBFA	1-3-1-2	AF		
LSTPPA147CBFA	1-3-11-2	AF		
LSTPPA148CBFA	1-3-31-1	AF		
LSTPPA149CBFA	1-3-31-2	AF		
LSTPPA150CBFA	1-3-21-1	AF		
LSTPPA151CBFA	1-3-21-2	AF		
LSTPPA152CBFA	1-3-21-3	AF		
LSTPPA153CBFA	1-3-31-3	AF		
LSTYPA042CBFA	2-5-18	AT		
LSTYPA043CBFA	1-5-24	AW		
LSTYPA044CBFA	1-5-3-1	AL		
LX-BZA090CBZZ	4-4-15	AC		
LX-TZA091CBTA	2-4-21	AE		
LX-WZA035CBZZ	4-4-17	AB		
[M]				
MLOV-A051CBFA	3-2-55	AV		
MSLI-A068CBFA	1-3-31-4	AE		
MSLI-A069CBFA	1-3-31-5	AE		
MSLI-A070CBFA	1-3-21-4	AE		
MSLI-A071CBFA	1-3-21-5	AE		
MSLI-A072CBFA	2-2-112	AE		
MSLI-A073CBFA	2-2-114	AE		
MSLI-A074CBFA	2-2-116	AE		
MSLI-A075CBFA	2-2-118	AE		
[N]				
NBRGPA022CBFA	1-3-1-3	AC		
[P]				
PBOX-A148CBFA	4-2-80	AE		
PCAP-A068CBFA	2-2-93	AC		
PCMPLA262CBZZ	4-6-1	CA		
PCOV-A340CBFA	3-2-97	AF		
PCOV-A384CBFA	3-2-25	AN		
PCOV-A385CBFA	3-2-26	AN		
PCOVPA271CBEZ	4-6-21	AH		
PCOVPA398CBFB	2-2-3	AQ		
PEVA-A156CBZZ	3-6-12	BE		
PFIL-A047CBEZ	3-2-34	AC		
PFPPPB565CBFZ	3-2-21	AE		
PFPPPB568CBFZ	3-2-56	AE		
PFPPPB588CBFZ	3-2-57	AE		
PGID-A169CBFZ	3-2-38	AG		
PGID-A170CBFZ	3-2-39	AE		
PGUM-A004CBF0	4-6-33	AH		
PGUM-A027CBFZ	4-6-32	AF		
PKYU-A035CBE0	3-6-31	AG		
PKYU-A098CBE0	4-6-30	AG		
PKYU-A173CBKZ	4-6-2	AS		
PKYU-A175CBZZ	4-6-34	AF		
PKYU-A176CBZZ	4-6-35	AF		
PPACGA226CBZA	1-3-8	AM		
PPACGA227CBZA	1-3-9	AK		
PPACGA234CBZZ	1-3-28	AM		
PPACGA241CBZA	1-3-19	AK		
PPACGA244CBZA	2-3-45	AF		
PPIPCA252CBE0	4-6-17	AD		

PARTS CODE	No.	PRICE RANK	NEW MARK	PART RANK
PPIPCA518CBZZ	4-6-18	AE		
PPIPCA533CBZZ	4-6-10	AW		
PPIPCA534CBZZ	4-6-11	AW		
PPIPPA126CBFZ	4-2-99	AF		
PSEL-C081CBEZ	3-2-149	AA		
PSEL-C555CBZZ	4-2-151	AD		
PSEL-C558CBZZ	2-2-142	AD		
PSEL-C559CBZZ	2-2-143	AD		
PSEL-C560CBZZ	2-2-144	AD		
PSEL-C562CBZZ	3-2-72	AC		
PSEL-C564CBZZ	3-2-74	AG		
PSEL-C567CBZZ	3-2-58	AC		
PSEL-C569CBZZ	3-2-22	AC		
PSEL-C571CBZZ	4-2-152	AC		
PSEL-C573CBZZ	3-2-20	AE		
PSEL-C600CBZZ	3-2-138	AD		
PSEL-C601CBZZ	3-2-139	AE		
PSEL-C640CBZZ	3-2-140	AD		
PSEL-C661CBZZ	3-2-141	AD		
PSEL-C662CBZZ	4-2-153	AD		
PSEL-C669CBZZ	3-2-148	AD		
PSEL-C673CBZZ	3-2-60	AE		
PSHEMA296CBPZ	3-2-66	AC		
PSHEMA334CBPZ	3-2-150	AN		
PSKR-A327CBFA	2-2-145	AU		
PSKR-A328CBFA	2-2-146	AU		
PSPFA055CBEZ	4-6-9	AP		
[Q]				
QACC-A173CBZZ	4-1-9	AY		
QCNCMA108CBZZ	3-1-42	AG		
QCNW-A916CBZZ	4-1-23	AE		
QCNW-A968CBZZ	4-1-34	AC		
QCNW-B146CBZZ	3-1-26	AK		
QCNW-B150CBZZ	3-1-52	AH		
QCNW-B239CBZZ	3-1-7	AM		
QSOCAA096CBEZ	3-1-43	AK		
QSW-LA015CBZZ	3-1-10	AQ		
QTAN-A012CBE0	4-4-4	AH		
QTAN-A013CBE0	4-4-10	AH		
[R]				
RC-EZA190CBEZ	4-1-31	AW		
RCILFA011CBZZ	4-1-56	AV		
RH-HXA065CBZZ	3-1-3	AT		
RH-HXA066CBZZ	3-1-1	AT		
RH-HXA067CBZZ	3-1-5	AT		
RHOG-A189CBEZ	4-1-11	AZ		
RLMP-A042CBZZ	3-1-8	AM		
RMOTRA095CBZZ	3-1-27	BA		
RMOTRA096CBZZ	3-1-6	BE		
RMOTRA097CBZZ	4-1-41	BA		
RSTT-A179CBZZ	4-1-2	AR		
[S]				
SPAKCA225CBZZ	5-90-3	BE		
[T]				
TINS-A784CBRZ	5-90-1	AF		
TINSEA046CBRZ	5-90-8	AG		
TLAB-A876CBRZ	3-90-2	AC		
TLAB-B220CBRZ	5-90-33	AE		
TLAB-B396CBRZ	5-90-21	AG		
TLAB-B481CBRZ	5-90-12	AF		
[U]				
USRA-A297CBFA	4-5-41	AP		
UTNA-A395CBRA	2-5-12-1	AY		
UTNA-A396CBRA	2-5-11-1	AY		
UTNA-A397CBFA	1-5-6	AH		
UWAKPA018CBFA	2-5-12-2	AL		
UWAKPA019CBFA	2-5-11-2	AM		
UWAKPA020CBFA	2-5-12-3	AT		
UWAKPA021CBFA	2-5-11-3	AT		