

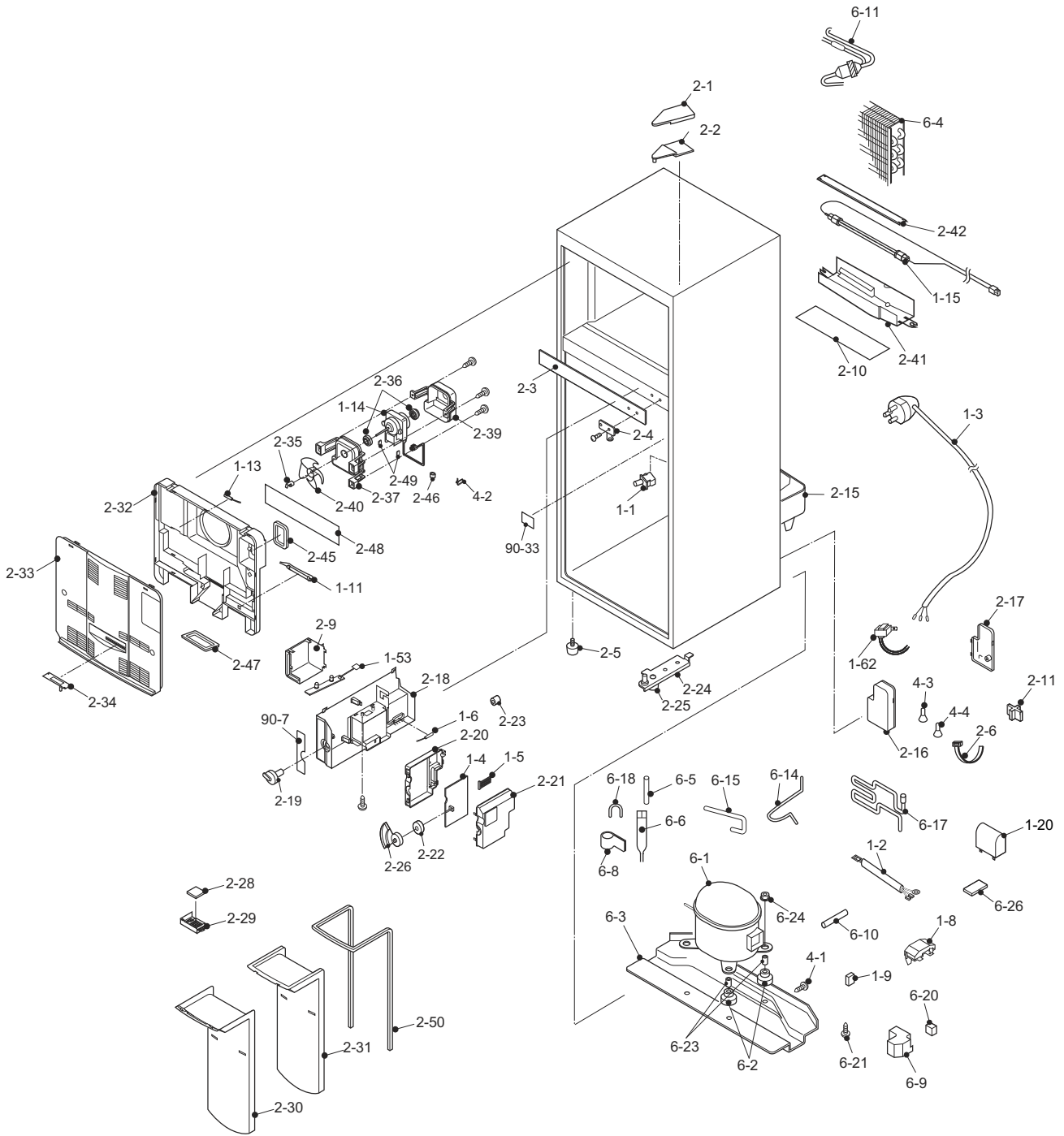
[1] PARTS GUIDE

No.	Part code	Part name	SJ-300V-SL	SJ-300V-WH	SJ-300V-BE	SJ-340V-SL	SJ-340V-WH	SJ-340V-BE	Price code
ELECTRIC PARTS									
1-1	QSW-PA092CBZA	DOOR SWITCH	1	1	1	1	1	1	1 AH
1-2	FCNW-B328CBKZ	RELAY WIRE ASS'Y	1	1	1	1	1	1	1 AN
1-3	QACC-A210CBZZ	SOURCE CORD	1	1	1	1	1	1	1 AU
1-5	FW-VZA173CBZZ	LEAD RC-BOX	1	1	1	1	1	1	1 AQ
1-6	RH-HXA097CBZZ	R-THERMISTOR	1	1	1	1	1	1	1 AT
1-8	RHOG-A213CBZZ	PROTECTOR	1	1	1	1	1	1	1 AV
1-9	RSTT-A179CBZZ	PTC RELAY	1	1	1	1	1	1	1 AR
1-11	FFS-TA094CBKZ	FUSE ASS'Y	1	1	1	1	1	1	1 AR
1-13	RH-HXA098CBZZ	DEF THERMISTOR	1	1	1	1	1	1	1 AT
1-14	RMOTRA136CBZZ	FAN MOTOR	1	1	1	1	1	1	1 BE
1-15	FHETBA213CBZZ	DEFROST HEATER	1	1	1	1	1	1	1 BD
1-20	RC-EZA250CBZZ	RUNNING CAPACITOR	1	1	1	1	1	1	1 AQ
1-32	QCNW-B021CBZZ	RERAY WIRE RC	1	1	1	1	1	1	1 AC
1-52	FPWB-A918CBKZ	MAIN PWB ASS'Y	1	1	1	1	1	1	1 BK
1-53	FPWB-A921CBKZ	LED PWB ASS'Y	1	1	1	1	1	1	1 AR
1-62	RCILFA020CBZZ	REACTANCE	1	1	1	1	1	1	1 AS
MECHANICAL PARTS									
2-1	GCOV-A289CBFB	TOP HINGE COVER	-	-	1	-	-	-	1 AF
2-1	GCOV-A289CBFC	TOP HINGE COVER	-	1	-	-	1	-	- AF
2-1	GCOV-A289CBFG	TOP HINGE COVER	1	-	-	1	-	-	- AD
2-2	DHNG-A575CBMZ	TOP HINGE ASS'Y	1	1	1	1	1	1	1 AG
2-3	FCABCA630CBKZ	C-PLAET ASS'Y	1	1	1	1	1	1	1 BC
2-4	DHNG-A579CBMZ	CENTER HINGE	1	1	1	1	1	1	1 AG
2-5	FAJS-A006CBFA	ADJUSTABLE LEG ASS'Y	1	1	1	1	1	1	1 AF
2-6	LBND-A018CBE0	FASTENING BAND A	2	2	2	2	2	2	2 AP
2-9	PCOV-A509CBFB	LAMP COVER	1	1	1	1	1	1	1 AG
2-11	LHLD-A359CBFA	T-BOX HOLDER	1	1	1	1	1	1	1 AE
2-14	LHLD-A951CBFA	LED LAMP HOLDER	1	1	1	1	1	1	1 AF
2-15	USRA-A309CBFA	EVAPORATION PAN	1	1	1	1	1	1	1 AR
2-16	PBOX-A155CBFA	TERMINAL BOX	1	1	1	1	1	1	1 AV
2-17	PCOVPA419CBFA	TERMINAL COVER	1	1	1	1	1	1	1 AP
2-18	GCOVPA329CBFA	RC-BOX COVER	1	1	1	1	1	1	1 AR
2-19	JKNB-A071CBFA	R-CONTROL KNOB	1	1	1	1	1	1	1 AF
2-20	PCOVPA490CBFA	PWB HOLDER-A	1	1	1	1	1	1	1 AG
2-21	PCOVPA491CBFA	PWB HOLDER-B	1	1	1	1	1	1	1 AG
2-22	PSEL-C696CBZZ	KNOB SEALER	1	1	1	1	1	1	1 AD
2-23	PSEL-C697CBZZ	LEAD SEALER	1	1	1	1	1	1	1 AD
2-24	DHNG-A577CBMZ	BOTTOM HINGE ASS'Y	1	1	1	1	1	1	1 AG
2-25	GLEGPA008CBFA	LEG	1	1	1	1	1	1	1 AD
2-26	JKNB-A073CBFA	KNOB JOINT	1	1	1	1	1	1	1 AF
2-28	PFIL-A064CBEZ	DEODORIZER	1	1	1	1	1	1	1 AQ
2-29	HGRL-A249CBFC	DEO.LOUVER	1	1	1	1	1	1	1 AF
2-30	HGRL-A290CBFB	R-LOUVER	1	1	1	1	1	1	1 AM
2-31	PFPPB597CBFZ	R-LOVER DUCT	1	1	1	1	1	1	1 AG
2-32	GCOV-A291CBFE	EV-COVER	1	1	1	1	1	1	1 AQ
2-33	HGRL-A250CBFA	F-LOUVER	1	1	1	1	1	1	1 AR
2-34	JKNB-A072CBFA	F-CONTROL KNOB	1	1	1	1	1	1	1 AF
2-35	LCRA-A022CBPZ	FAN CLAMP	1	1	1	1	1	1	1 AC
2-36	LHLD-A810CBFZ	MOTOR CUSHION S	2	2	2	2	2	2	2 AE
2-37	LHLD-A952CBFA	FM-HOLDER A	1	1	1	1	1	1	1 AK
2-39	LHLD-A953CBFA	FM-HOLDER B	1	1	1	1	1	1	1 AK
2-40	NFANPA012CBF0	PROPELLER FAN 90	1	1	1	1	1	1	1 AD
2-41	LPLTMA797CBTZ	HEATER SUPPORT	1	1	1	1	1	1	1 AV
2-42	PSHEMA324CBTZ	HEATER COVER	1	1	1	1	1	1	1 AR
2-45	PSEL-C690CBZZ	EVC-SEALER A	1	1	1	1	1	1	1 AD
2-46	PSEL-C691CBZZ	EVC-SEALER B	1	1	1	1	1	1	1 AD
2-47	PSEL-C692CBZZ	EVC-SEALER C	1	1	1	1	1	1	1 AD
2-48	PSHEMA310CBZZ	EV-COVER AL	1	1	1	1	1	1	1 AE
2-49	PSEL-B209CBE0	U-SEALER HANDLE	2	2	2	2	2	2	2 AB
2-50	PSEL-C689CBZZ	A-SEALER R-DUCT	1	1	1	1	1	1	1 AE
DOOR PARTS									
3-1	FDORFC330CBKZ	F-DOOR ASS'Y	1	-	-	1	-	-	- BH
3-1	FDORFC333CBKZ	F-DOOR ASS'Y	-	-	1	-	-	-	1 BH
3-1	FDORFC334CBKZ	F-DOOR ASS'Y	-	1	-	-	1	-	- BH
3-2	HBDGDB061CBZA	BADGE	1	1	1	1	1	1	1 AM
3-3-2	LSTPPA155CBFA	DOOR STOPPER	2	2	2	2	2	2	2 AG
3-4	FPACGA652CBZA	F DOOR PACKING	1	1	1	1	1	1	1 AT
3-5	HDECQA669CBTA	HANDLE TRIM	2	2	2	2	2	2	2 AU

SJ-300V/340V/380V/420V

No.	Part code	Part name	SJ-300V-SL	SJ-300V-WH	SJ-300V-BE	SJ-340V-SL	SJ-340V-WH	SJ-340V-BE	Price code
3-6	JHNDPA369CBFA	HANDLE BASE	2	2	2	2	2	2	AN
3-7	FDORRC618CBKZ	R-DOOR ASSY	1	-	-	-	-	-	BQ
3-7	FDORRC620CBKZ	R-DOOR ASSY	-	-	-	1	-	-	BR
3-7	FDORRC623CBKZ	R-DOOR ASSY	-	-	1	-	-	-	BQ
3-7	FDORRC624CBKZ	R-DOOR ASSY	-	1	-	-	-	-	BQ
3-7	FDORRC626CBKZ	R-DOOR ASSY	-	-	-	-	-	-	BR
3-7	FDORRC628CBKZ	R-DOOR ASSY	-	-	-	-	1	-	BR
3-8	FPACGA655CBZA	R DOOR PACKING	1	1	1	-	-	-	AV
OTHER PARTS									
4-1	LX-BZA090CBZZ	SPECIAL SCREW	2	2	2	2	2	2	AC
4-2	LBND-A023CBE0	L-BAND C	3	3	3	3	3	3	AC
4-3	QTAN-A012CBE0	SOLDERLESS TERM. B	3	3	3	3	3	3	AH
4-4	QTAN-A013CBE0	SOLDERLESS TERM. A	1	1	1	1	1	1	AH
ATTACHMENT PARTS									
5-1	GDORPA079CBFC	FRESH DOOR	1	1	1	1	1	1	AL
5-2	UPOK-A198CBFB	SMALL POCKET	1	1	1	1	1	1	AK
5-3	UPOK-A199CBFB	BOTTLE POCKET	1	1	1	1	1	1	AP
5-4	UPOK-A200CBFB	EGG POCKET	1	1	1	1	1	1	AM
5-5	UPOK-A201CBFB	DOOR POCKET	3	3	3	3	3	3	AM
5-6	UTNA-A404CBFB	F-SHELF	1	1	1	1	1	1	AP
5-7	FTNA-A634CBKZ	V-SHELF ASSY	1	1	1	1	1	1	AV
5-7-2	LHLD-A969CBFA	SHELF-HOLDER-L	1	1	1	1	1	1	AE
5-7-3	LHLD-A970CBFA	SHELF-HOLDER-R	1	1	1	1	1	1	AE
5-7-4	UTNA-A578CBZZ	V-SHELF	1	1	1	1	1	1	AP
5-10	UYOK-A519CBFB	VEGETABLE CASE	1	1	1	1	1	1	AW
5-11	UYOK-A520CBFB	FRESH CASE	1	1	1	1	1	1	AR
5-12	FTNA-A633CBKZ	R-SHELF ASSY	3	3	3	3	3	3	AV
5-12-1	HDECQA673CBFB	RV-SHELF-DEC-F	2	2	2	2	2	2	AG
5-12-3	UTNA-A577CBZZ	R-SHELF	1	1	1	1	1	1	AR
5-13	UPOK-A231CBFB	DOOR POCKET B	1	1	1	1	1	1	AK
5-14	USRA-A336CBFA	ICE CUBE TRAY	1	1	1	1	1	1	AM
5-15	LRALPA140CBFB	ICE TRAY HOLDER L	1	1	1	1	1	1	AG
5-16	LRALPA141CBFB	ICE TRAY HOLDER R	1	1	1	1	1	1	AG
CYCLE PARTS									
6-1	FCMPLA408CBKZ	COMPRESSOR ASSY	1	1	1	1	1	1	CC
6-2	PSPAGA054CBEZ	RUBBER GROMMET	4	4	4	4	4	4	AH
6-3	LFRRMA034CBPZ	BASE FRAME	1	1	1	1	1	1	AK
6-4	PEVA-A246CBZZ	EVAPORATOR	1	1	1	1	1	1	BD
6-5	PPIPCA587CBZZ	CHRG PIPE HC	1	1	1	1	1	1	AK
6-6	FDRY-A006CBK0	DRYER ASSY	1	1	1	1	1	1	AX
6-8	LPLTMA399CBP0	DRYER SUPPORT	1	1	1	1	1	1	AD
6-9	PCOVPA271CBEZ	TERMINAL COVER	1	1	1	1	1	1	AH
6-10	PPIPCA517CBZZ	CHRG PIPE HC S	1	1	1	1	1	1	AE
6-11	PKYU-A035CBE0	SP-BUTYL H	1	1	1	1	1	1	AG
6-14	PPIPCA578CBZZ	DCP CONNECTOR	1	1	1	1	1	1	AM
6-15	PPIPCA665CBZZ	SP CONNECTOR	1	1	1	1	1	1	AL
6-17	PPIPCA604CBZZ	EVA PAN PIPE	1	1	1	1	1	1	AR
6-18	PPIPCA551CBZZ	DRIER CONNECTOR	1	1	1	1	1	1	AF
6-20	LHLD-A465CBE0	CORD CLIP	1	1	1	1	1	1	AG
6-21	LX-BZA109CBZZ	EARTH SCREW	1	1	1	1	1	1	AD
6-23	PSPAPA047CBEZ	SLEEVE	3	3	3	3	3	3	AE
6-24	LX-WZA035CBZZ	WASHER	3	3	3	3	3	3	AB
6-26	PSEL-C941CBZZ	EVA PAN SEALER	1	1	1	1	1	1	AK
90 MISCELLANEOUS									
90-1	SPAKCA255CBZZ	PACKING CASE 34	-	-	-	1	1	1	BA
90-1	SPAKCA258CBZZ	PACKING CASE 30 S-NO	1	1	1	-	-	-	BB
90-2	TINS-B304CBRZ	OPERATION MANUAL	1	1	1	1	1	1	AK
90-3	TLAB-B396CBRZ	CAUTION LABEL ROF-HC	1	1	1	1	1	1	AG
90-4	CPADBA125CBKZ	BOTTOM PAD ASSY	1	1	1	1	1	1	AY
90-5	CPADBA085CBKZ	TOP PAD ASSY	1	1	1	1	1	1	AQ
90-6	SPADBA363CBFZ	CUSHION-COMP	1	1	1	1	1	1	AF
90-7	TLAB-C647CBRA	CONTROL LABEL	1	1	1	1	1	1	AF
90-8	SPADBA566CBFZ	DOOR PROTECT SHEET	1	1	1	1	1	1	AM
90-11	SPADBA296CBZZ	TOP SHEET	1	1	1	1	1	1	AG
90-12	SPADBA333CBZZ	CORNER POST B	-	-	-	2	2	2	AG
90-12	SPADBA392CBZZ	CORNER POST B	2	2	2	-	-	-	AH
90-13	TLAB-C649CBRZ	ENERGY LABEL	1	1	1	-	-	-	AN
90-13	TLAB-C651CBRZ	ENERGY LABEL	-	-	-	1	1	1	AN
90-15	TLAB-B290CBRZ	N MARK LABEL	1	1	1	1	1	1	AF
90-33	TLAB-C599CBRZ	TEMP. LABEL	1	1	1	1	1	1	AG
90-34	TLAB-B419CBRZ	FREEZER LABEL	1	1	1	1	1	1	AE
90-35	TLAB-A985CBRZ	TWO STAR LABEL	1	1	1	1	1	1	AF

[2] SJ-300V/340V-SL/WH/BE ELECTRIC,MECHANICAL,CYCLE PARTS



[3] SJ-300V/340V-SL/WH/BE DOOR, ATTACHMENT PARTS

