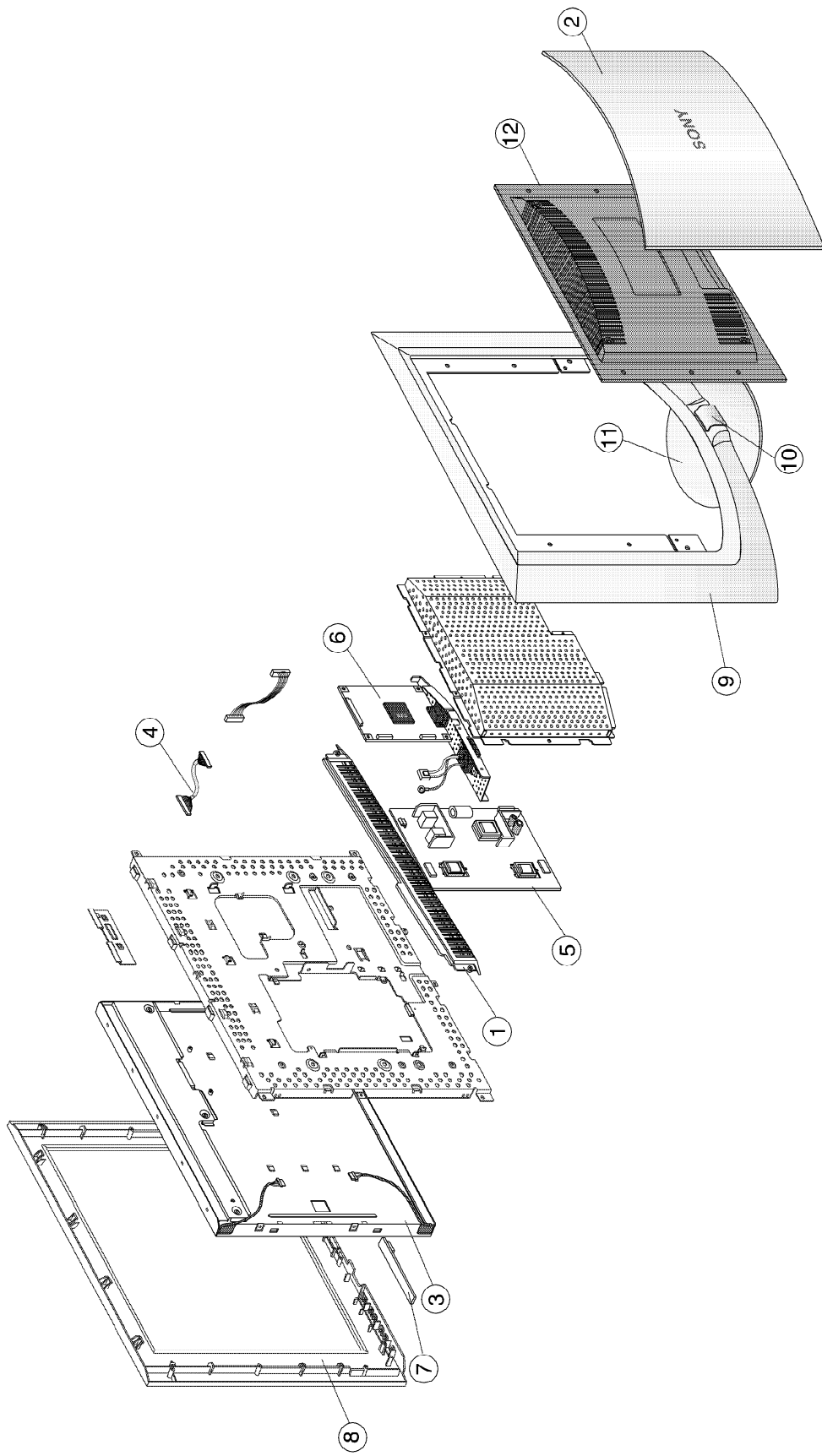


EXPLODED VIEW (SDM-HS74)

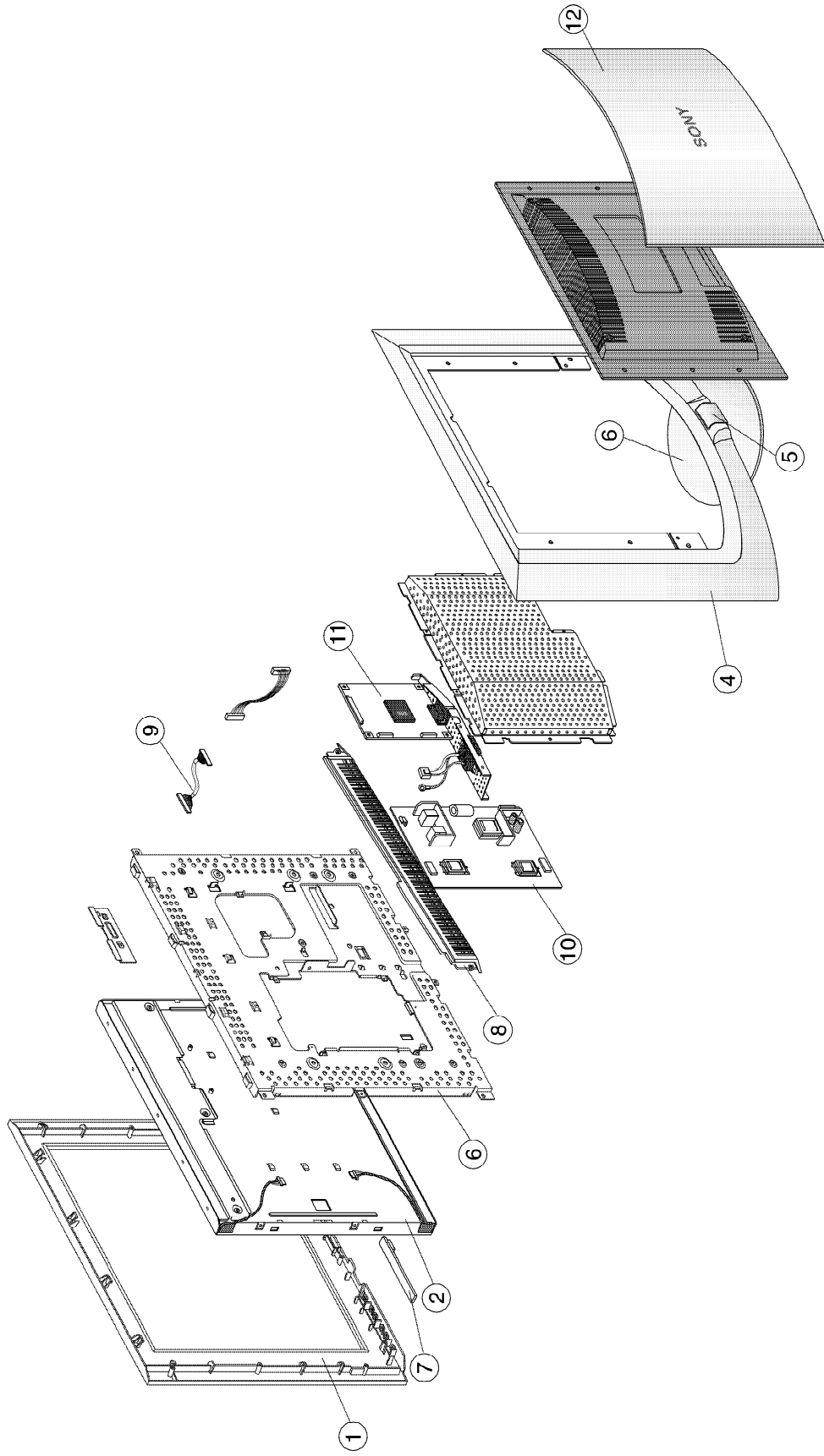


TPV SDM-HS74

EXPLODED VIEW PARTS LIST

Ref. No.	Parts No.	Description
1	4-101-653-31	BOTTOM VENT COVER (Black)
	4-101-653-01	BOTTOM VENT COVER (White)
	4-101-653-21	BOTTOM VENT COVER (Blue)
2	2-149-578-01	REAR COVER (Black)
	2-149-578-21	REAR COVER (White)
	2-149-578-31	REAR COVER (Blue)
3	1-805-564-11	LCD PANEL (CPT)
	1-805-730-11	LCD PANEL (AU)
4	1-900-283-15	CONNECTOR ASSY (CPT/AU)
5	A-1070-550-A	G MOUNT (for CPT)
	A-1070-553-A	G MOUNT (for AU)
6	A-1070-551-A	A MOUNT (for CPT)
	A-1070-554-A	A MOUNT (for AU)
7	A-1410-864-A	H MOUNT
8	X-2022-739-1	BEZEL ASSY (Black)
	X-2022-744-1	BEZEL ASSY (White)
	X-2022-746-1	BEZEL ASSY (Blue)
9	X-4042-894-1	CENTER CABINET ASSY
10	4-101-657-01	HINGE COVER
11	X-4042-895-1	STAND ASSY
12	X-2022-740-1	BACK CABINET ASSY(Black)
	X-2022-745-1	BACK CABINET ASSY(White)
	X-2022-747-1	BACK CABINET ASSY(Blue)
ACCESSORIES & PACKING MATERIALS		
13	2-148-722-01	INDIVIDUAL CARTON
14	4-101-666-01	CUSHION
15	4-101-643-01	PROTECTION BAG
16	1-829-850-11	POWER-SUPPLY CORD SET (AEP)
	1-828-847-11	POWER-SUPPLY CORD SET (U/C)
17	1-828-836-11	D-SUB CABLE
18	1-829-853-11	DVI-CABLE
19	4-847-334-02	PURSE LOCK
20	2-103-461-01	QUICK SETUP GUIDE (AEP)
	2-103-461-11	QUICK SETUP GUIDE (U/C)
21	2-149-411-01	CD-ROM
22	2-149-799-01	ID LABEL (SDM-HS74, AEP, Black)
	2-149-799-11	ID LABEL (SDM-HS74, AEP, White)
	2-149-799-21	ID LABEL (SDM-HS74, AEP, Blue)

EXPLODED VIEW (SDM-HS74P)



LGE SDM-HS74P**EXPLODED VIEW PARTS LIST**

Ref. No.	Parts No.	Description
1	X-2022-692-1	BEZEL ASSY (Black)
	X-2022-707-1	BEZEL ASSY (Silver)
2	1-805-539-11	LCD PANEL (AU)
3	X-2022-691-1	BACK CABINET ASSY
4	X-2022-694-1	CENTER CABINET ASSY
5	4-094-409-11	HINGE COVER
6	X-2022-695-1	STAND ASSY
7	A-1066-954-A	H MOUNT
8	4-094-405-31	BOTTOM VENT COVER
9	1-900-275-71	CONNECTOR ASSY
10	A-1070-044-A	G MOUNT (for AU)
11	A-1085-748-A	A MOUNT (for AU)
12	2-149-414-11	REAR COVER (Black) (AEP)
	2-149-414-51	REAR COVER (Black) (U/C)
	2-149-414-41	REAR COVER (Silver)
ACCESSORIES & PACKING MATERIALS		
13	1-827-757-11	D-SUB CABLE
14	1-827-758-11	DVI CABLE
15	1-827-118-11	POWER-SUPPLY CORD SET (U/C)
	1-827-120-11	POWER-SUPPLY CORD SET (AEP)
	1-827-122-11	POWER-SUPPLY CORD SET (CH)
16	2-148-303-01	CD-ROM
17	2-103-460-11	QUICK SETUP GUIDE (U/C, CH)
	2-103-460-01	QUICK SETUP GUIDE (AEP)
18	4-094-401-01	PROTECTION BAG
19	2-149-418-01	CUSHION
20	2-148-720-01	INDIVIDUAL CARTON