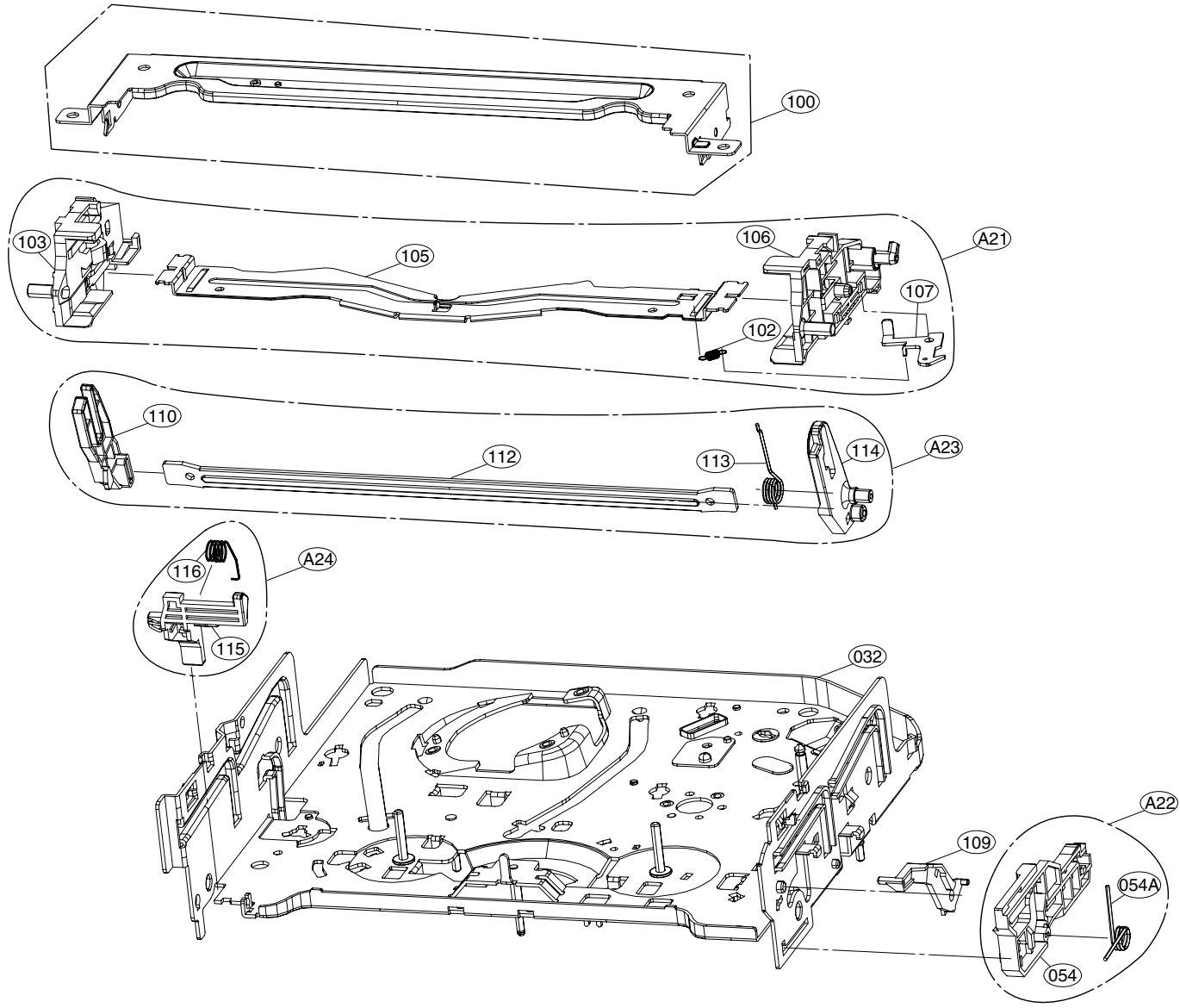


EXPLODED VIEWS

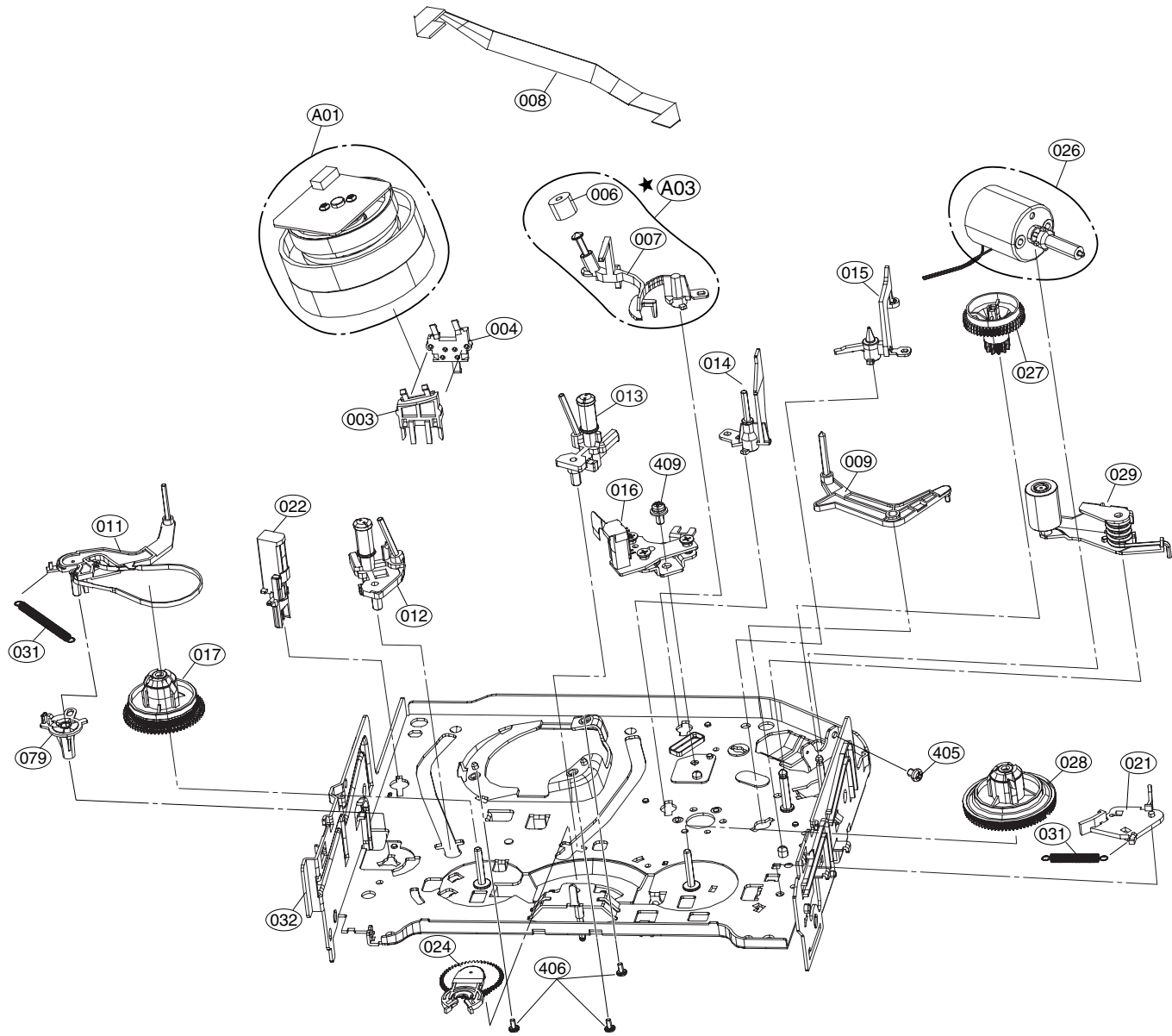
1. Front Loading Mechanism Section



EXPLODED VIEWS

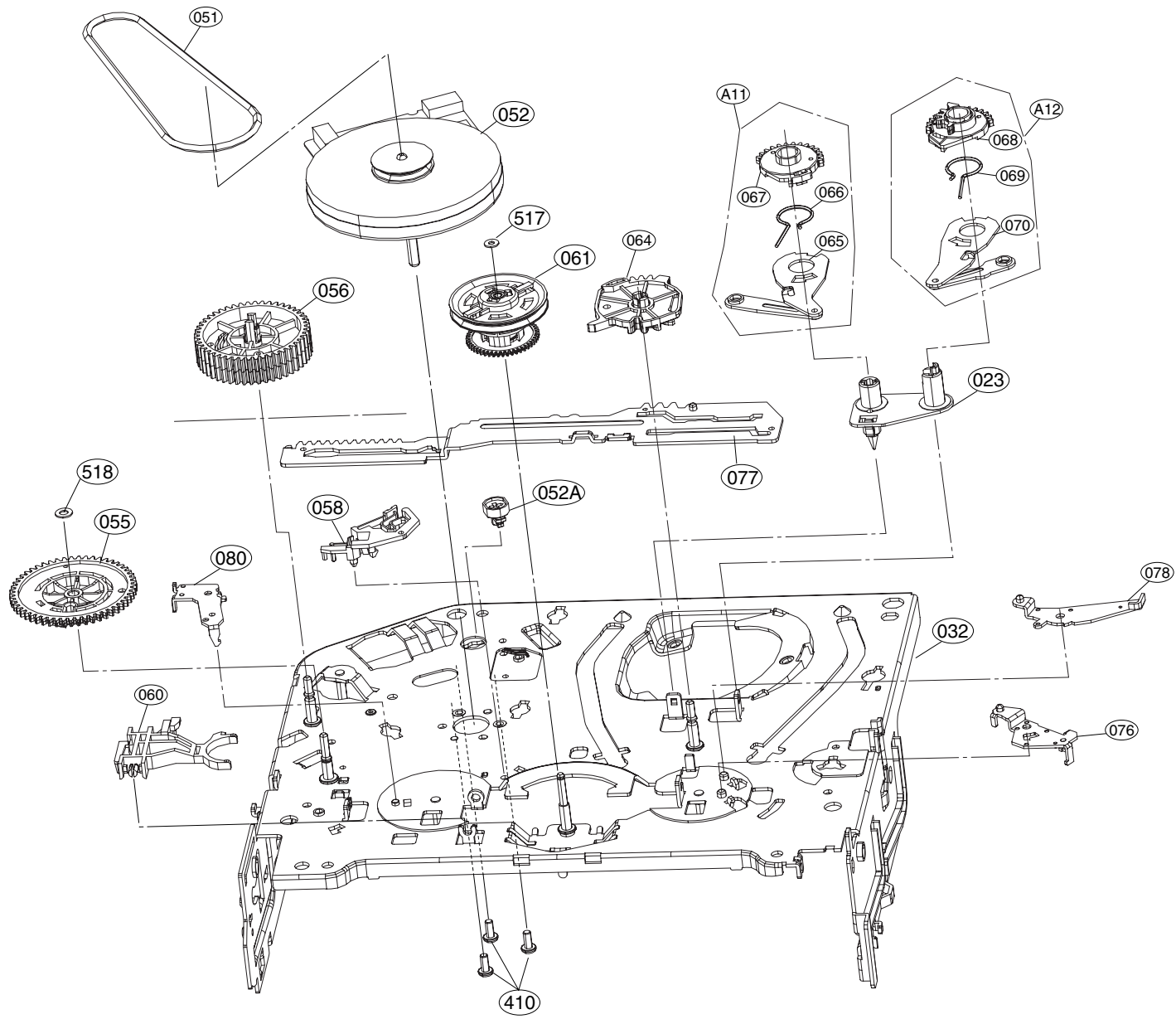
2. Moving Mechanism Section (1)

★ OPTIONAL PART



EXPLODED VIEWS

3. Moving Mechanism Section (2)



MEMO

A series of horizontal dotted lines for writing.

SECTION 5 MECHANISM OF DVD PART

CONTENTS

DECK MECHANISM PARTS LOCATIONS

- Top View(with Tray).....5-1
- Top View(without Tray)5-1
- Bottom View.....5-1

DECK MECHANISM DISASSEMBLY

1. Holder Clamp.....5-2
 - 1-1. Clamp Assembly Disc5-2
 - 1-1-1. Plate Clamp5-2
 - 1-1-2. Magnet Clamp.....5-2
 - 1-1-3. Clamp Upper5-2
2. Tray Disc5-2
3. Base Assembly Sled5-3
 - 3-1. Gear Assembly Feed5-3
 - 3-2. Gear Assembly Middle.....5-3
 - 3-3. Gear Assembly Rack5-3
4. Rubber Rear5-3

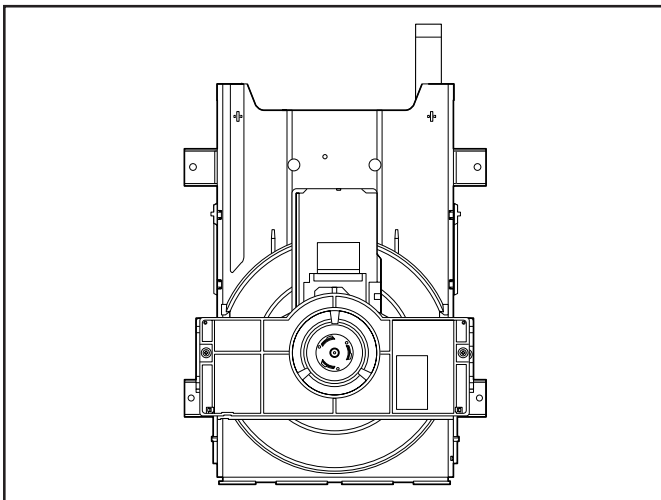
5. Frame Assembly Up/Down5-4
6. Belt Loading.....5-4
7. Gear Pulley.....5-4
8. Gear Loading5-4
9. Guide Up/Down.....5-4
10. PWB Assembly Loading5-4
11. Base Main.....5-4

EXPLODED VIEW

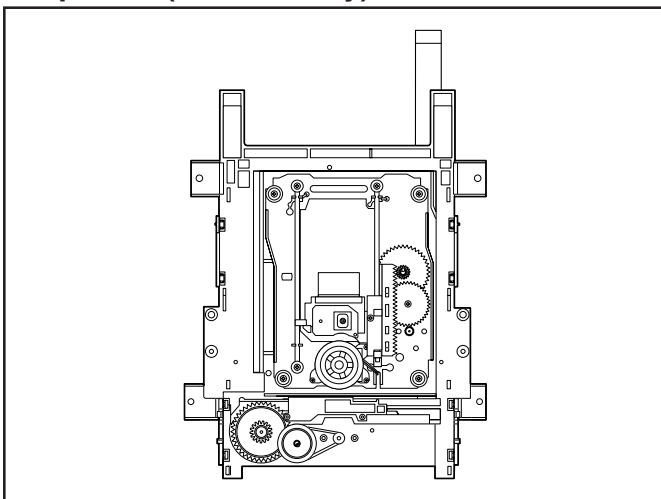
1. Deck Mechanism Exploded View5-5
-

DECK MECHANISM PARTS LOCATION

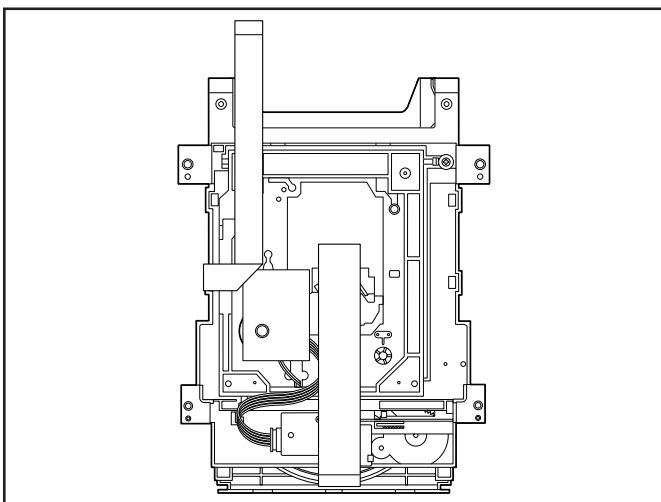
• Top View (With Tray)



• Top View (Without Tray)



• Bottom View



Procedure		Parts	Fixing Type	Disassembly	Figure
Starting No.					
	1	Holder Clamp	2 Screws, 2 Locking Tabs		5-1
1	2	Clamp Assembly Disc			5-1
1, 2	3	Plate Clamp			5-1
1, 2, 3	4	Magnet Clamp			5-1
1, 2, 3, 4	5	Clamp Upper			5-1
1	6	Tray Disc			5-2
1, 6	7	Base Assembly Sled	4 Screws,		5-3
1, 2, 6	8	Gear Assembly Feed			5-3
1, 2, 6, 8	9	Gear Middle			5-3
1, 2, 6, 8, 9	10	Gear Assembly Rack	1 Screw		5-3
1, 2, 7	11	Rubber Rear			5-3
1, 2, 7	12	Frame Assembly Up/Down	1 Screw	Bottom	5-4
1, 2	13	Belt Loading	1 Locking Tab		5-4
1, 2, 13	14	Gear Pulley			5-4
1, 2, 13, 14	15	Gear Loading	1 Locking Tab		5-4
1, 2, 7, 12, 13, 14	16	Guide Up/Down			5-4
1, 2, 13	17	PWB Assembly Loading	1 Locking Tab 1 Hook 2Screw	Bottom	5-4
1, 2, 7, 12, 13, 14, 15, 16, 17	18	Base Main			5-4

Note

When reassembling, perform the procedure in reverse order.

The "Bottom" on Disassembly column of above Table indicates the part should be disassembled at the Bottom side.

DECK MECHANISM DISASSEMBLY

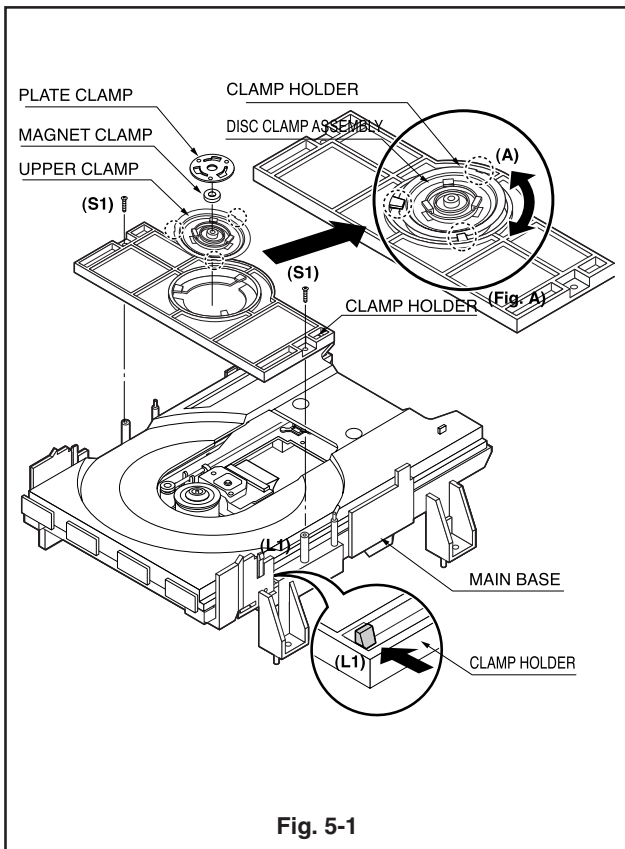


Fig. 5-1

1. Holder Clamp (Fig. 5-1)

- 1) Release 2 Screws(S1).
- 2) Unhook 2 Locking Tabs(L1).
- 3) Lift up the Holder Clamp and then separate it from the Base Main.

1-1. Clamp Assembly Disc

- 1) Place the Clamp Assembly Disc as Fig. (A)
- 2) Lift up the Clamp Assembly Disc in direction of arrow(A).
- 3) Separate the Clamp Assembly Disc from the Holder Clamp.

1-1-1. Plate Clamp

- 1) Turn the Plate Clamp to counterclockwise direction and then lift up the Plate Clamp.

1-1-2. Magnet Clamp

1-1-3. Clamp Upper

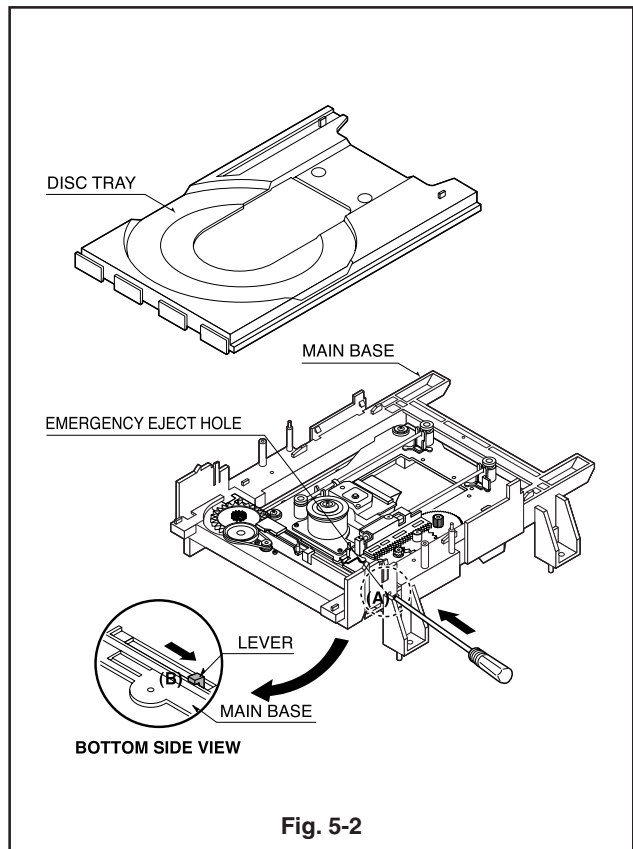


Fig. 5-2

2. Tray Disc (Fig. 5-2)

- 1) Insert and push a Driver in the emergency eject hole(A) at the right side, or put the Driver on the Lever(B) of the Gear Emergency and pull the Lever(B) in direction of arrow so that the Tray Disc is ejected about 15~20mm.
- 2) Pull the Tray Disc until it is separated from the Base Main completely.

DECK MECHANISM DISASSEMBLY

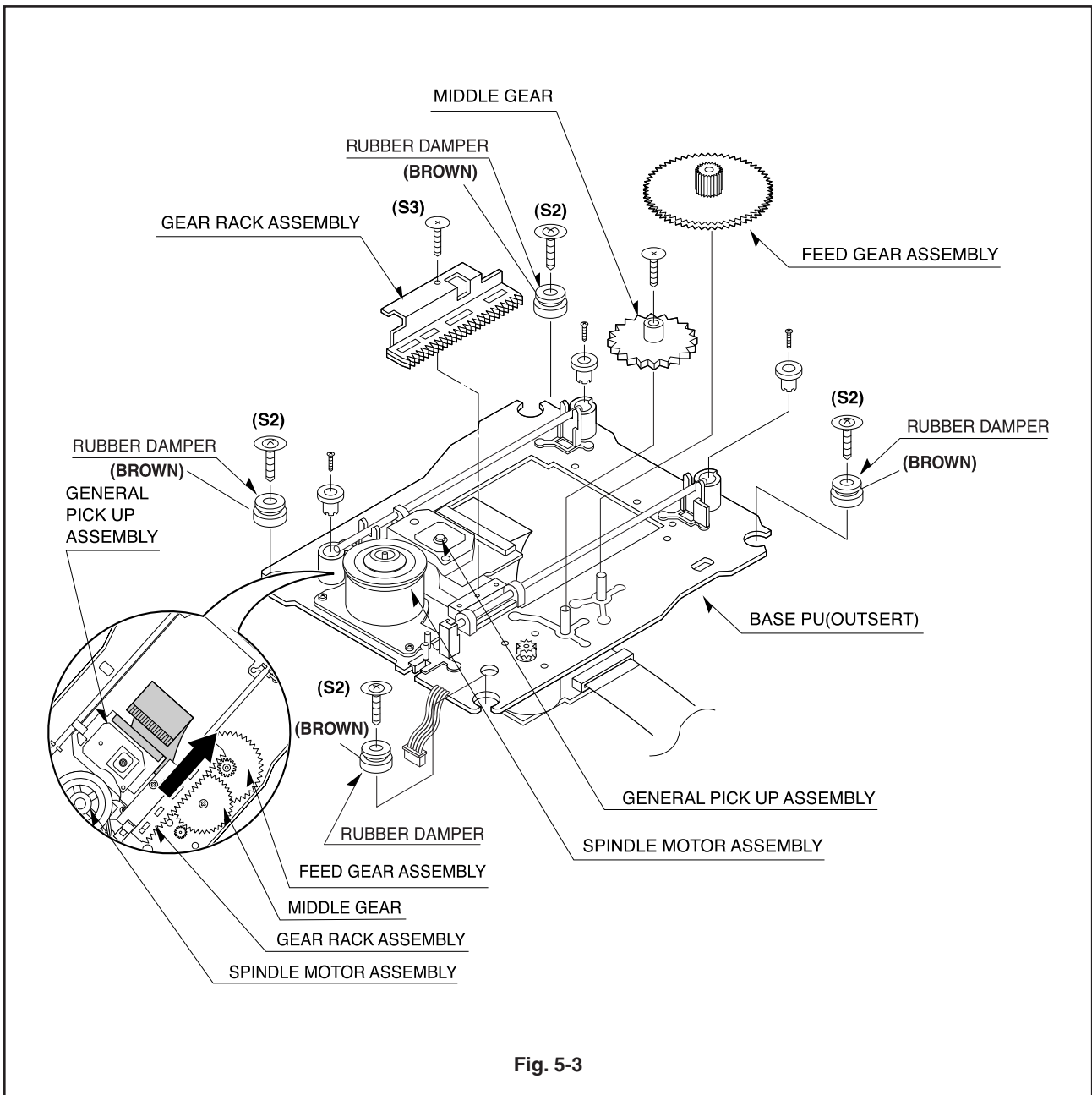


Fig. 5-3

3. Base Assembly Sled (Fig. 5-3)

- 1) Release 4 Screw(S2).
- 2) Disconnect the FFC Connector(C1)

3-1. Gear Assembly Feed

3-2. Gear Assembly Middle

- 1) Release the Scerw(S3)

4. Rubber Rear (Fig. 5-3)

3-3. Gear Assembly Rack

DECK MECHANISM DISASSEMBLY

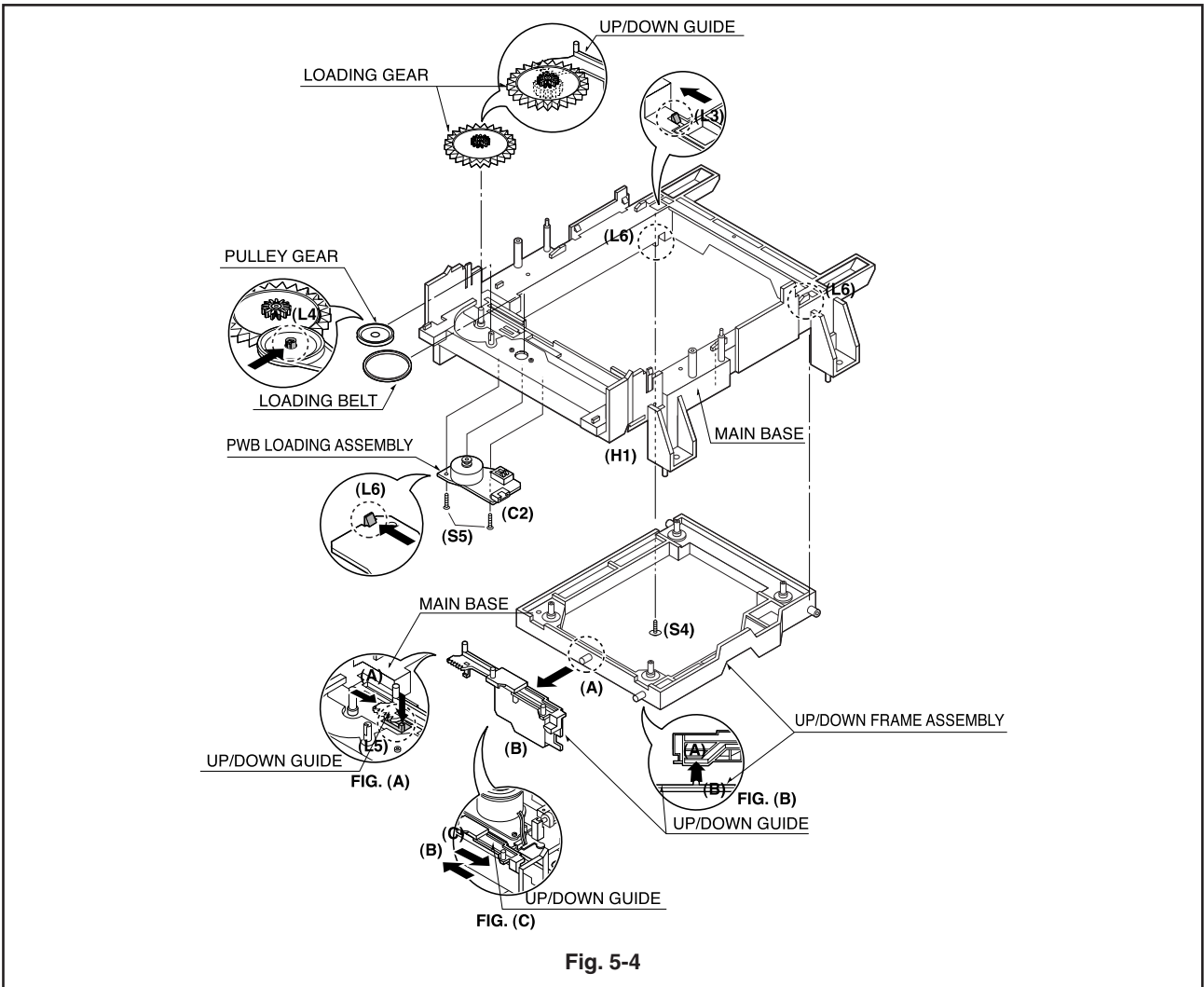


Fig. 5-4

5. Frame Assembly Up/Down (Fig. 5-4)

Note

Put the Base Main face down(Bottom Side)

- 1) Release the Screw(S4)
- 2) Unlock the Locking Tab(L3) in direction of arrow and then lift up the Frame Assembly Up/Down to separate it from the Base Main.

Note

- When reassembling move the Guide Up/Down in direction of arrow(C) until it is positioned as Fig.(C).
- When reassembling insert (A) portion of the Frame Assembly Up/Down in the (B) portion of the Guide Up/Down as Fig.(B)

6. Belt Loading(Fig. 5-4)

Note

Put the Base Main on original position(Top Side)

7. Gear pulley (Fig. 5-4)

- 1) Unlock the Locking Tab(L4) in direction of arrow(B) and then separate the Gear Pulley from the Base Main.

8. Gear Loading (Fig. 5-4)

9. Guide Up/Down (Fig. 5-4)

- 1) Move the Guide Up/Down in direction of arrow(A) as Fig.(A)
- 2) Push the Locking Tab(L5) down and then lift up the Guide Up/Down to separate it from the Base Main.

Note

When reassembling place the Guide Up/Down as Fig.(C) and move it in direction arrow(B) until it is locked by the Locking Tab(L5). And confirm the Guide Up/Down as Fig.(A)

10. PWB Assembly Loading (Fig. 5-4)

Note

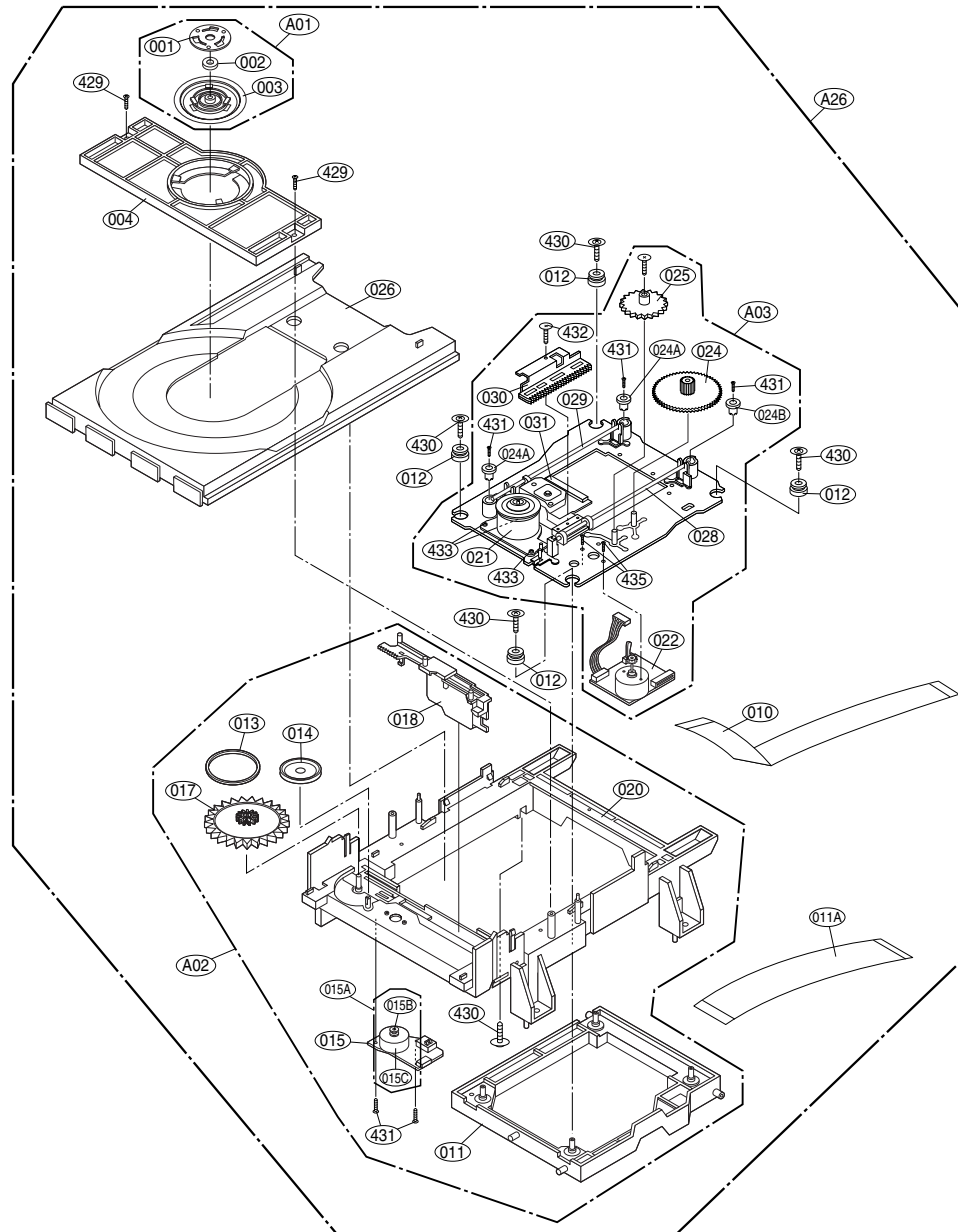
Put the Base Main face down(Bottom Side)

- 1) Release 2 Screws(S5)
- 2) Unlock the Loading Motor (C2) from the Hook (H1) on the Base Main.
- 3) Unlock 2 Locking Tabs(L6) and separate the PWB Assembly Loading from the Base Main.

11. Base Main(Fig. 5-4)

EXPLODED VIEWS

1. Deck Mechanism Exploded View



NOTES) ⚠ Warning Parts that are shaded are critical With respect to risk of fire or electrical shock.

SECTION 6 REPLACEMENT PARTS LIST

TOSHIBA MODEL : SD-34VLSL

NSP : Not available as service parts.

RUN DATE : 28-JUNE-04

S	AL	LOCA. NO.	TOSHIBA P/NO	LG PART NO.	DESCRIPTION	SPECIFICATION	REMARKS
*** INDIVIDUAL PARTS ***							
		250	AF000340	3110R-V024B	CASE	VBW8024 PRESS TOP A288G B:3,S:	
		274	AF000351	3300R-V103A	PLATE	TOSHIBA PRESS JACK	
		276	AF000418	4930R-0471A	HOLDER	VCR ONE BOARD SLIM MOLD HF-380	
	⚠	300	AF000445	6410RCHP02D	POWER CORD	HIT-102/H03VHH2-F (ST-HS:80MM)	
		457	79097907	353-051E	SCREW,DRAWING	SPECIAL (3X12)	
		462	AF000355	353-051K	SCREW,DRAWING	+ 2 D3.0 - MSWR3/FN L23.5 X13.	
		465	79097903	353-046K	SCREW,DRAWING	SPECIAL (3X10 B.K)	
		467	79096043	353-051G	SCREW,DRAWING	+ 2 D3.0 L8.0 MSWR3/FN TB ROUN	
		467	79096043	353-051G	SCREW,DRAWING	+ 2 D3.0 L8.0 MSWR3/FN TB ROUN	
		468	AF000354	353-051J	SCREW,DRAWING	+ 2 D3.0 L6.5 MSWR3/FN TB ROUN	
*** PACKING ACCESSORY ***							
		801	AF000744	3835RV0004L	INSTRUCTION ASSEMBLY	VCR VBC8007P1M.NA3GTT TOSHIBA	
		802	AF000747	3890R-C226A	BOX	VBC8007P1M NA3GTT SWW3-A	
		803	AF000373	3920R-E104A	PACKING,CASING	V89/88 0.02 80 EPS 4 937 1984	
		804	79096262	292-053B	BAG	SOFT(MIDI)	NSP
		808	79096451	534-008C	BATTERY,MANGANESE	AAAM(R03) SEOTONG 1-5 V - 1PA	
		806	AF000472	6850R-CAA2H	CABLE,COAXIAL	RF PAL DOUBLE SHIELD DT_HY_HIT	
		810	AF000479	6851R-0054B	CABLE ASSEMBLY	PAL RF 1.2M FREE OF CD_PB_HG H	
*** REMOTE CONTROLLER ***							
		900	79096621	6711R2N080C	REMOTE CONTROLLER ASSEMBLY	TOSHIBA VB602CP SE-R0092 TOSHI	
*** PANEL ASSEMBLY , FRONT ***							
		A43	AF000737	3721R-F837G	PANEL ASSEMBLY,FRONT	VCR VBC8007P1M NA3GTT FRONT	
		280	AF000363	3720R-F774B	PANEL,VIDEO	VCR VBC8016P1K MOLD FRONT(SPOO	NSP
		283	AF000734	3580R-V099G	DOOR	VCR VBC8007P1M NA3GTT MOLD CST	
		284	79096419	442-681A	SPRING	DOOR	
		285	AF000731	3580R-T132G	DOOR	VCR VBC8007P1M NA3GTT MOLD TRA	
		286	AF000422	4970R-0146A	SPRING	PLATE DR4000 SPRING	
*** PWB(PCB) ASSEMBLY , TOTAL TIMER/KEY ***							
		A50	AF000782	6871R-7788C	PWB(PCB) ASSEMBLY,TOTAL	TIMER & KEY VBC8007P1M	
		C601	79097104	0CE1064F638	CAPACITOR,ELECTROLYTIC	10M SRA 16V M FM5 TP(5)	
		C611	790971234	0CN1020K518	CAPACITOR TUBULA(HIGH DIELE)	1000P 50V K B TA26	
		C611	79097123	0CN1020K518	CAPACITOR TUBULA(HIGH DIELE)	1000P 50V K B TA26	
		C612	790971234	0CN1020K518	CAPACITOR TUBULA(HIGH DIELE)	1000P 50V K B TA26	
		C612	79097123	0CN1020K518	CAPACITOR TUBULA(HIGH DIELE)	1000P 50V K B TA26	
		C6G1	79096020	0CE4775C638	CAPACITOR,FIXED ELECTROLYTIC	470UF SR,SV 6.3V 20% FM5 TP 5	
		C6G2	79096020	0CE4775C638	CAPACITOR,FIXED ELECTROLYTIC	470UF SR,SV 6.3V 20% FM5 TP 5	
		IC601	AF000296	0ILNRPY001A	IC,LINEAR	PT6955 PTC 24P SOP ST LED DRIV	
		JK601	AF000456	6612JH003AD	JACK,RCA	RCA-102H(BK) YUQIU BLACK	
		JK602	AF000456	6612JH003AD	JACK,RCA	RCA-102H(BK) YUQIU BLACK	
		JK603	AF000456	6612JH003AD	JACK,RCA	RCA-102H(BK) YUQIU BLACK	
		L602	79096332	0LA1000K018	INDUCTOR AXIAL LEAD	100M K 2.3X3.4 L5 TP	
		L603	79096332	0LA1000K018	INDUCTOR AXIAL LEAD	100M K 2.3X3.4 L5 TP	
		L6G1	AF000308	0LR4700K035	INDUCTOR RADIAL LEAD	470M K 6X6 L5 TP	
		LED601	AF000441	6301R2U012A	LED ASSEMBLY	TOS-3667AGMGRMY-B OASIS UNIVE	
		LED601	AF000442	6301R3U012A	LED ASSEMBLY	F3C5-3GWB EVERLIGHT UNIVERSAL	
		LED602	79096306	0DL112000AK	DIODE,LED	DL-11S2GNS(SUPPER,GREEN,03)KOC	
		LED603	79096306	0DL112000AK	DIODE,LED	DL-11S2GNS(SUPPER,GREEN,03)KOC	
		P6602	AF000775	6630S-BC01H	CONNECTOR (CIRC),BOARD TO BOAR	52061-0811 J-MOLEX 8PIN 1-25MM	
		P6603	AF000776	6630S-BC02H	CONNECTOR (CIRC),BOARD TO BOAR	53045-0811 J-MOLEX 8PIN 1-25MM	
		P6M01	AF000765	561-844L	CONNECTOR(CIRC),DRAWING	TUC-P12X-B1,TAIKO	
		P6M03	AF000763	561-844D	CONNECTOR(CIRC),DRAWING	TUC-P05X-B1,TAIKO B-B 5PIN	
		P6M05	AF000763	561-844D	CONNECTOR(CIRC),DRAWING	TUC-P05X-B1,TAIKO B-B 5PIN	
		Q601	AF000210	0TR120309AE	TRANSISTOR	SRC1203 TP AUK TO92 22K,22K	
		Q602	AF000210	0TR120309AE	TRANSISTOR	SRC1203 TP AUK TO92 22K,22K	
		R604	79096341	0RD5602F608	RESISTOR,FIXED CARBON FILM	56K OHM 1/6 W 5% TA26	
		R605	79093014	0RD3300F608	RESISTOR,FIXED CARBON FILM	330 OHM 1/6 W 5% TA26	
		R611	79098764	0RD6800F608	RESISTOR,FIXED CARBON FILM	680 OHM 1/6 W 5% TA26	
		R612	79098765	0RD8200F608	RESISTOR,FIXED CARBON FILM	820 OHM 1/6 W 5% TA26	
		R613	79093007	0RD1201F608	RESISTOR,FIXED CARBON FILM	1.2K OHM 1/6 W 5% TA26	
		R613	79096185	0RD1201F608	RESISTOR,FIXED CARBON FILM	1.2K OHM 1/6 W 5% TA26	
		R614	79098760	0RD1501F608	RESISTOR,FIXED CARBON FILM	1.5K OHM 1/6 W 5% TA26	
		R615	79098761	0RD2201F608	RESISTOR,FIXED CARBON FILM	2.2K OHM 1/6 W 5% TA26	
		R616	79098764	0RD6800F608	RESISTOR,FIXED CARBON FILM	680 OHM 1/6 W 5% TA26	
		R617	79098765	0RD8200F608	RESISTOR,FIXED CARBON FILM	820 OHM 1/6 W 5% TA26	
		R618	79093007	0RD1201F608	RESISTOR,FIXED CARBON FILM	1.2K OHM 1/6 W 5% TA26	
		R618	79096185	0RD1201F608	RESISTOR,FIXED CARBON FILM	1.2K OHM 1/6 W 5% TA26	
		R619	79098760	0RD1501F608	RESISTOR,FIXED CARBON FILM	1.5K OHM 1/6 W 5% TA26	
		R620	79098761	0RD2201F608	RESISTOR,FIXED CARBON FILM	2.2K OHM 1/6 W 5% TA26	

TOSHIBA MODEL : SD-34VLSL

NSP : Not available as service parts.
 RUN DATE : 28-JUNE-04

S	AL	LOCA. NO.	TOSHIBA P/NO	LG PART NO.	DESCRIPTION	SPECIFICATION	REMARKS
		R631	79093010	ORD1800F608	RESISTOR, FIXED CARBON FILM	180 OHM 1/6 W 5% TA26	
		R632	79093010	ORD1800F608	RESISTOR, FIXED CARBON FILM	180 OHM 1/6 W 5% TA26	
		R641	79098759	ORD0752F608	RESISTOR, FIXED CARBON FILM	75 OHM 1/6 W 5.00% TA26	
		RC601	AF000465	6712R1638GB	REMOTE CONTROLLER RECEIVER	TSOP4438RF1 VISHAY 38KHZ =TSOP	
		SW601	79097338	556-219B	SWITCH, TACT	THVV502GAA POSTECH DC 12 V 5-	
		SW601	AF000451	6600R000036	SWITCH, TACT	EVQ 225 05R MATSUSHITA 15VDC 2	
		SW601	AF000452	6600RRT001Q	SWITCH, TACT	SKHVBE3520-AA FORWARD 12V DC 5	
		SW602	79097338	556-219B	SWITCH, TACT	THVV502GAA POSTECH DC 12 V 5-	
		SW602	AF000451	6600R000036	SWITCH, TACT	EVQ 225 05R MATSUSHITA 15VDC 2	
		SW602	AF000452	6600RRT001Q	SWITCH, TACT	SKHVBE3520-AA FORWARD 12V DC 5	
		SW603	79097338	556-219B	SWITCH, TACT	THVV502GAA POSTECH DC 12 V 5-	
		SW603	AF000451	6600R000036	SWITCH, TACT	EVQ 225 05R MATSUSHITA 15VDC 2	
		SW603	AF000452	6600RRT001Q	SWITCH, TACT	SKHVBE3520-AA FORWARD 12V DC 5	
		SW604	79097338	556-219B	SWITCH, TACT	THVV502GAA POSTECH DC 12 V 5-	
		SW604	AF000451	6600R000036	SWITCH, TACT	EVQ 225 05R MATSUSHITA 15VDC 2	
		SW604	AF000452	6600RRT001Q	SWITCH, TACT	SKHVBE3520-AA FORWARD 12V DC 5	
		SW605	79097338	556-219B	SWITCH, TACT	THVV502GAA POSTECH DC 12 V 5-	
		SW605	AF000452	6600RRT001Q	SWITCH, TACT	SKHVBE3520-AA FORWARD 12V DC 5	
		SW605	AF000451	6600R000036	SWITCH, TACT	EVQ 225 05R MATSUSHITA 15VDC 2	
		SW606	79097338	556-219B	SWITCH, TACT	THVV502GAA POSTECH DC 12 V 5-	
		SW606	AF000452	6600RRT001Q	SWITCH, TACT	SKHVBE3520-AA FORWARD 12V DC 5	
		SW606	AF000451	6600R000036	SWITCH, TACT	EVQ 225 05R MATSUSHITA 15VDC 2	
		SW607	79097338	556-219B	SWITCH, TACT	THVV502GAA POSTECH DC 12 V 5-	
		SW607	AF000452	6600RRT001Q	SWITCH, TACT	SKHVBE3520-AA FORWARD 12V DC 5	
		SW607	AF000451	6600R000036	SWITCH, TACT	EVQ 225 05R MATSUSHITA 15VDC 2	
		SW608	79097338	556-219B	SWITCH, TACT	THVV502GAA POSTECH DC 12 V 5-	
		SW608	AF000451	6600R000036	SWITCH, TACT	EVQ 225 05R MATSUSHITA 15VDC 2	
		SW608	AF000452	6600RRT001Q	SWITCH, TACT	SKHVBE3520-AA FORWARD 12V DC 5	
		SW609	79097338	556-219B	SWITCH, TACT	THVV502GAA POSTECH DC 12 V 5-	
		SW609	AF000451	6600R000036	SWITCH, TACT	EVQ 225 05R MATSUSHITA 15VDC 2	
		SW609	AF000452	6600RRT001Q	SWITCH, TACT	SKHVBE3520-AA FORWARD 12V DC 5	
		SW610	79097338	556-219B	SWITCH, TACT	THVV502GAA POSTECH DC 12 V 5-	
		SW610	AF000451	6600R000036	SWITCH, TACT	EVQ 225 05R MATSUSHITA 15VDC 2	
		SW610	AF000452	6600RRT001Q	SWITCH, TACT	SKHVBE3520-AA FORWARD 12V DC 5	
		SW611	79097338	556-219B	SWITCH, TACT	THVV502GAA POSTECH DC 12 V 5-	
		SW611	AF000452	6600RRT001Q	SWITCH, TACT	SKHVBE3520-AA FORWARD 12V DC 5	
		SW611	AF000451	6600R000036	SWITCH, TACT	EVQ 225 05R MATSUSHITA 15VDC 2	
		SW612	79097338	556-219B	SWITCH, TACT	THVV502GAA POSTECH DC 12 V 5-	
		SW612	AF000451	6600R000036	SWITCH, TACT	EVQ 225 05R MATSUSHITA 15VDC 2	
		SW612	AF000452	6600RRT001Q	SWITCH, TACT	SKHVBE3520-AA FORWARD 12V DC 5	
*** PWB(PCB) ASSEMBLY , TOTAL POWER ***							
		A47	AF000686	6871R-5377H	PWB(PCB) ASSEMBLY, TOTAL	SMPS VLC8510WIK SERIES	
		BD101	79096005	0DD160000DA	DIODE, RECTIFIERS	S1WBA60 BK SHINDENGEN - 600V -	
	▲	C101	79096244	624-088L	CAPACITOR, DRAWING	435D SUNIL ELECTRONICS 0.1UF/275V	
	▲	C102	79096244	624-088L	CAPACITOR, DRAWING	435D SUNIL ELECTRONICS 0.1UF/275V	
		C103	79096500	624-082C	CAPACITOR, AL. ELECTROLYTIC	100MF/400V SHL SMPS S/Y	
		C104	79098728	0CN1040K948	CAPACITOR, FIXED TUBULAR(HIGH D	0.1UF D 50V 80%,-20% F(Y5V) TA	
		C105	79092033	0CQ1031Y519	CAPACITOR, FIXED FILM	0.01UF D 630V 10% PE NI TP5	
		C106	79096651	624-087G	CAPACITOR	HIGH-VOL 68PF/1KV SMPS SAMHWA	
		C109	79092001	0CE1064K638	CAPACITOR, FIXED ELECTROLYTIC	10M SRA 50V M FM5 TP(5)	
	▲	C110	79096279	0CG1020U630	CAPACITOR, SEMI CERAMIC	1000PF 400V M E(Z5U) R	
	▲	C111	79096279	0CG1020U630	CAPACITOR, SEMI CERAMIC	1000PF 400V M E(Z5U) R	
		C117	79096617	0CE337EK630	CAPACITOR, AL. ELECTROLYTIC	330UF KMG 50V M FM5 BULK	
		C123	79092010	0CE477BH630	CAPACITOR, AL. ELECTROLYTIC	470UF KME TYPE 25V M FM5 BULK	
		C127	79092003	0CE108BF630	CAPACITOR, FIXED ELECTROLYTIC	1000UF KME 16V M FM5 BULK	
		C129	AF000268	0CE2282F611	CAPACITOR, FIXED ELECTROLYTIC	2200UF KMF 16V 20% BK7.5 FL	
		C131	79096460	624-082H	CAPACITOR	CE 1000UF/10V SHL(10*12.5)T/P	
		C132	79092035	624-085D	CAPACITOR	CE 47UF/50V KME (SMPS)	
		C133	79098731	0CQ1042K409	CAPACITOR, FIXED FILM	0.1UF S 50V 5% PE TP5	
		C135	79096303	0CN223AK948	CAPACITOR, TUBULAR(HIGH DIELEC)	0.022UF 50V Z F TA26 S	
		C163	79096243	624-087D	CAPACITOR	HI-VOL 470P/1KVDC SMPS SAMHWA	
		D101	79096006	0DD221009AA	DIODE, RECTIFIERS	ERA22-10 KFLB, TP ,R T/P,FUJI	
		D102	79096001	0DD010009AC	DIODE, RECTIFIERS	EU01W(R-FORM) TP SANKEN	
		D106	79096023	0DR104009BA	DIODE, RECTIFIERS	RL104F TP RECTRON - 400V 1A 30	
		D110	79096308	0DR302000AB	DIODE, RECTIFIERS	HER302 BK RECTRON DO201AD 100V	
		D110	79097505	0DD400000AD	DIODE, RECTIFIERS	RU4YX BK SANKEN - - - - -	
		D111	79096009	0DR158220AA	DIODE, RECTIFIERS	1N5822 BK RECTRON DO201AD 40V	
		D113	79096023	0DR104009BA	DIODE, RECTIFIERS	RL104F TP RECTRON - 400V 1A 30	
		D118	79096590	0DR104510AA	DIODE, RECTIFIERS	B10A45V1 BK KEC TO220 45V 10A	
	▲	F101	79096588	0FS1601B51D	FUSE, SLOW BLOW	1600MA 250 V 5.2X20 CY/GL KS/J	
		FH01	79098790	586-008B	HOLDER	FUSE CLIP TP SINSUNG	
		FH02	79098790	586-008B	HOLDER	FUSE CLIP TP SINSUNG	
		IC101	AF000302	0IPMGFA053A	IC, POWER MANAGEMENT	FSDL0365RN FAIRCHILD 8PIN, DIP	
	▲	IC102	79094030	657-063A	SENSOR	LTV-817B, PHOTO COUPLER(LITEON)	
		IC103	79094010	0IKE431000A	IC, KEC	KIA431 3 PIN TP	

TOSHIBA MODEL : SD-34VLSL

NSP : Not available as service parts.
 RUN DATE : 28-JUNE-04

S	AL	LOCA. NO.	TOSHIBA P/NO	LG PART NO.	DESCRIPTION	SPECIFICATION	REMARKS
△		L102	79096456	616-145G	FILTER(CIRC),DRAWING	SHT LFSQ2215V4-04220	
△		L102	AF000434	616-145E	FILTER(CIRC),DRAWING	KSE-145E KSE LINE FILTER SQ211	
		L125	79098794	633-088D	COIL,CHOKE	20UH KWANGSUNG LEAD CUT	
		PPM01	AF000772	6630R-BF03H	CONNECTOR (CIRC),BOARD TO BOAR	JE121-08 JAE EUN 8P 2.54MM COM	
		PW101	79096066	561-292B	CONNECTOR(CIRC),DRAWING	GP390 LGC 3P 3.96 STRAIGHT SN	
		R100	79093009	0RD1504H632	RESISTOR,FIXED CARBON FILM	1.5M OHM 1/2 W 5.00% MF10	
		R101	79093056	614-007A	RESISTOR	2.7/2W CEMENT SMPS V	
		R104	79093055	0RS5602K619	RESISTOR,FIXED METAL OXIDE FIL	56K OHM 2 W 5.00% TR	
		R105	79097164	0RD0102F608	RESISTOR,FIXED CARBON FILM	10 OHM 1/6 W 5% TA26	
		R112	79093011	0RD2200F608	RESISTOR,FIXED CARBON FILM	220 OHM 1/6 W 5% TA26	
		R113	79098761	0RD2201F608	RESISTOR,FIXED CARBON FILM	2.2K OHM 1/6 W 5% TA26	
		R114	79093004	0RD1001F608	RESISTOR,FIXED CARBON FILM	1K OHM 1/6 W 5% TA26	
		R115	79096375	0RN3301F408	RESISTOR,FIXED METAL FILM	3.3K OHM 1/6 W 1% TA26	
		R116	79096374	0RN2701F408	RESISTOR,FIXED METAL FILM	2.7K OHM 1/6 W 1% TA26	
		R117	79096339	0RD2700F608	RESISTOR,FIXED CARBON FILM	270 OHM 1/6 W 5% TA26	
		R119	79093006	0RD1003F608	RESISTOR,FIXED CARBON FILM	100K OHM 1/6 W 5% TA26	
		R130	79093006	0RD1003F608	RESISTOR,FIXED CARBON FILM	100K OHM 1/6 W 5% TA26	
△		T101	AF000435	6170RNGW12G	TRANSFORMER,SMPS[COIL]	EER2828 SAMWHA 2004 COMBI CLO	
△		V101	79098795	656-004C	VARISTOR,DRAWING	SVC681D-10A SAMWHA 4.0 CUT	
		ZD102	AF000672	0DZ222609AB	DIODE,ZENER	UZ-22BSB 26MM TP PYUNG CHANG	
*** CHASSIS ASSEMBLY ***							
		A44	AF000792	3141R-V017X	CHASSIS ASSEMBLY	VC8804P1M NA5ILL SCART MTK1389	
		260	AF000349	3210R-V011B	FRAME	COMBI 3 MOLD HIPS 60HR BK	
		261A	AF000430	5040H-1016U	RUBBER	VCR SLIM-COMBI OTHER DS08"D22	
		265	AF000413	4930R-0384A	HOLDER	POWER CORD	
		330	AF000342	3140R-V010A	CHASSIS	ONE BOARD PRESS SECC 0.8T	
		452	79097905	353-051A	SCREW,DRAWING	SPECIAL	
*** SUB ASSEMBLY , MAIN(VCR+DVD) ***							
		A46	AF000786	6885R-261CF	SUB PWB(PCB) ASSEMBLY	444502D71105F4 000000 80030000	
		323	AF000341	3111R-0089E	CASE ASSEMBLY	PRE AMP SLIM COMBI C-CORE A NO	
		BC91	79091008	636-004C	FILTER(CIRC),EMC	BEAD CORE BFS3550R2FD8,R T/P	
		BC92	79091008	636-004C	FILTER(CIRC),EMC	BEAD CORE BFS3550R2FD8,R T/P	
		C126	79096270	0CE2276H638	CAPACITOR,FIXED ELECTROLYTIC	220UF SMS,SG 25V 20% FM5 TP 5	
		C128	79092007	0CE3376D638	CAPACITOR,ELECTROLYTIC	330UF SMS 10V M FM5 TP5	
		C151	79096275	0CE4754K638	CAPACITOR,FIXED ELECTROLYTIC	4.7UF SRA,SS 50V 20% FM5 TP 5	
		C152	79096275	0CE4754K638	CAPACITOR,FIXED ELECTROLYTIC	4.7UF SRA,SS 50V 20% FM5 TP 5	
		C153	79097104	0CE1064F638	CAPACITOR,ELECTROLYTIC	10M SRA 16V M FM5 TP(5)	
		C154	79098705	0CE1074F638	CAPACITOR,ELECTROLYTIC	100U SRA 16V M FM5 TP(5)	
		C155	79097104	0CE1064F638	CAPACITOR,ELECTROLYTIC	10M SRA 16V M FM5 TP(5)	
		C162	79097104	0CE1064F638	CAPACITOR,ELECTROLYTIC	10M SRA 16V M FM5 TP(5)	
		C169	79097104	0CE1064F638	CAPACITOR,ELECTROLYTIC	10M SRA 16V M FM5 TP(5)	
		C201	79098705	0CE1074F638	CAPACITOR,ELECTROLYTIC	100U SRA 16V M FM5 TP(5)	
		C202	79092014	0CH1104K942	CAPACITOR,CHIP[CERAMIC M/L HD	0.1UF 50V Z Y5V(F) 1508 R/TP	
		C203	79092014	0CH1104K942	CAPACITOR,CHIP[CERAMIC M/L HD	0.1UF 50V Z Y5V(F) 1508 R/TP	
		C204	79092014	0CH1104K942	CAPACITOR,CHIP[CERAMIC M/L HD	0.1UF 50V Z Y5V(F) 1508 R/TP	
		C205	79097108	0CE4764F638	CAPACITOR,ELECTROLYTIC	47M SRA/SS 16V M FM5 TP(5)	
		C206	79097108	0CE4764F638	CAPACITOR,ELECTROLYTIC	47M SRA/SS 16V M FM5 TP(5)	
		C208	79092016	0CH1222K562	CAPACITOR,CHIP[CERAMIC M/L HD	2200PF 50V K X7R(X) 1608 R/TP	
		C210	79092014	0CH1104K942	CAPACITOR,CHIP[CERAMIC M/L HD	0.1UF 50V Z Y5V(F) 1508 R/TP	
		C211	AF000696	0CH1821K562	CAPACITOR,FIXED CERAMIC(Temp.c	820PF 50V 10% X7R(X) 1608 R/TP	
		C212	79092014	0CH1104K942	CAPACITOR,CHIP[CERAMIC M/L HD	0.1UF 50V Z Y5V(F) 1508 R/TP	
		C213	79097108	0CE4764F638	CAPACITOR,ELECTROLYTIC	47M SRA/SS 16V M FM5 TP(5)	
		C215	79092016	0CH1222K562	CAPACITOR,CHIP[CERAMIC M/L HD	2200PF 50V K X7R(X) 1608 R/TP	
		C216	79098714	0CH1102K562	CAPACITOR,FIXED CERAMIC(Temp.c	1000PF 50V 10% X7R(X) 1608 R/T	
		C221	79092014	0CH1104K942	CAPACITOR,CHIP[CERAMIC M/L HD	0.1UF 50V Z Y5V(F) 1508 R/TP	
		C222	79092014	0CH1104K942	CAPACITOR,CHIP[CERAMIC M/L HD	0.1UF 50V Z Y5V(F) 1508 R/TP	
		C223	79098709	0CE2274C638	CAPACITOR,ELECTROLYTIC	220M SRA 6.3V M FM5 TP(5)	
		C225	79098709	0CE2274C638	CAPACITOR,ELECTROLYTIC	220M SRA 6.3V M FM5 TP(5)	
		C226	79092014	0CH1104K942	CAPACITOR,CHIP[CERAMIC M/L HD	0.1UF 50V Z Y5V(F) 1508 R/TP	
		C227	79098709	0CE2274C638	CAPACITOR,ELECTROLYTIC	220M SRA 6.3V M FM5 TP(5)	
		C228	79092014	0CH1104K942	CAPACITOR,CHIP[CERAMIC M/L HD	0.1UF 50V Z Y5V(F) 1508 R/TP	
		C229	79098709	0CE2274C638	CAPACITOR,ELECTROLYTIC	220M SRA 6.3V M FM5 TP(5)	
		C301	79097104	0CE1064F638	CAPACITOR,ELECTROLYTIC	10M SRA 16V M FM5 TP(5)	
		C302	79097106	0CE2264F638	CAPACITOR,FIXED ELECTROLYTIC	22UF SRA,SS 16V 20% FM5 TP 5	
		C303	AF000273	0CH1122K562	CAPACITOR,FIXED CERAMIC(Temp.c	1200PF 50V 10% X7R(X) 1608 R/T	
		C304	79097108	0CE4764F638	CAPACITOR,ELECTROLYTIC	47M SRA/SS 16V M FM5 TP(5)	
		C305	AF000269	0CH1103K512	CAPA,CHIP CERAMIC M/L H.D F/S	0.0100UF 50V K B 1608 R/TP	
		C306	79096022	0CH1102K512	CAPACITOR,FIXED CERAMIC(TEMP.C	1000PF 50V 10% B(5Y)P 1608 R/T	
		C307	79098702	0CE1054K638	CAPACITOR,ELECTROLYTIC	1.0M SRA/SS50V M FM5 TP(5)	
		C308	AF000290	0CQ1532K409	CAPACITOR,FIXED FILM	0.015UF S 50V 5% PE TP5	
		C309	79092025	0CH4221K412	CAPACITOR,CHIP[CERAMIC M/L TC	220P 50V J COG 1.6X0.8 R/TP	
		C310	79092025	0CH4221K412	CAPACITOR,CHIP[CERAMIC M/L TC	220P 50V J COG 1.6X0.8 R/TP	
		C311	79097108	0CE4764F638	CAPACITOR,ELECTROLYTIC	47M SRA/SS 16V M FM5 TP(5)	
		C312	AF000269	0CH1103K512	CAPA,CHIP CERAMIC M/L H.D F/S	0.0100UF 50V K B 1608 R/TP	
		C314	79097104	0CE1064F638	CAPACITOR,ELECTROLYTIC	10M SRA 16V M FM5 TP(5)	

TOSHIBA MODEL : SD-34VLSL

NSP : Not available as service parts.
 RUN DATE : 28-JUNE-04

S	AL	LOCA. NO.	TOSHIBA P/NO	LG PART NO.	DESCRIPTION	SPECIFICATION	REMARKS
		C315	79096269	0CE2254K638	CAPACITOR, FIXED ELECTROLYTIC	2.2UF SRA,SS 50V 20% FM5 TP 5	
		C316	79097104	0CE1064F638	CAPACITOR,ELECTROLYTIC	10M SRA 16V M FM5 TP(5)	
		C317	AF000269	0CH1103K512	CAPA,CHIP CERAMIC M/L H.D F/S	0.0100UF 50V K B 1608 R/TP	
		C318	79098702	0CE1054K638	CAPACITOR,ELECTROLYTIC	1.0M SRA/SS50V M FM5 TP(5)	
		C319	AF000269	0CH1103K512	CAPA,CHIP CERAMIC M/L H.D F/S	0.0100UF 50V K B 1608 R/TP	
		C320	79098702	0CE1054K638	CAPACITOR,ELECTROLYTIC	1.0M SRA/SS50V M FM5 TP(5)	
		C321	AF000286	0CH4680K412	CAPACITOR, FIXED CERAMIC(HIGH D	68PF 50V 5% NP0 1608 R/TP	
		C322	79098703	0CE1063F638	CAPACITOR,AL.ELECTROLYTIC	10M SRE/SE 16V M FM5 TP(5)	
		C323	79097104	0CE1064F638	CAPACITOR,ELECTROLYTIC	10M SRA 16V M FM5 TP(5)	
		C324	79096275	0CE4754K638	CAPACITOR, FIXED ELECTROLYTIC	4.7UF SRA,SS 50V 20% FM5 TP 5	
		C325	79097104	0CE1064F638	CAPACITOR,ELECTROLYTIC	10M SRA 16V M FM5 TP(5)	
		C326	AF000269	0CH1103K512	CAPA,CHIP CERAMIC M/L H.D F/S	0.0100UF 50V K B 1608 R/TP	
		C327	AF000266	0CE1053K638	CAPACITOR,AL.ELECTROLYTIC	1.0M SRE/SE50V M FM5 TP(5)	
		C328	AF000269	0CH1103K512	CAPA,CHIP CERAMIC M/L H.D F/S	0.0100UF 50V K B 1608 R/TP	
		C329	AF000269	0CH1103K512	CAPA,CHIP CERAMIC M/L H.D F/S	0.0100UF 50V K B 1608 R/TP	
		C330	AF000270	0CH1104K512	CAPACITOR, FIXED CERAMIC(Temp.c	0.1UF 50V 10% B(5YP) 1608 R/TP	
		C331	79097106	0CE2264F638	CAPACITOR, FIXED ELECTROLYTIC	22UF SRA,SS 16V 20% FM5 TP 5	
		C333	79097108	0CE4764F638	CAPACITOR,ELECTROLYTIC	47M SRA/SS 16V M FM5 TP(5)	
		C334	AF000269	0CH1103K512	CAPA,CHIP CERAMIC M/L H.D F/S	0.0100UF 50V K B 1608 R/TP	
		C335	AF000269	0CH1103K512	CAPA,CHIP CERAMIC M/L H.D F/S	0.0100UF 50V K B 1608 R/TP	
		C336	79096615	0CE4763F638	CAPACITOR,ELECTROLYTIC	47M SRE 16V M FM5 TP(5)	
		C337	79098702	0CE1054K638	CAPACITOR,ELECTROLYTIC	1.0M SRA/SS50V M FM5 TP(5)	
		C338	AF000276	0CH1473K562	CAPACITOR,CHIP[CERAMIC M/L HD	47000PF 50V K X7R(X) 1608 R/TP	
		C339	79098702	0CE1054K638	CAPACITOR,ELECTROLYTIC	1.0M SRA/SS50V M FM5 TP(5)	
		C340	AF000276	0CH1473K562	CAPACITOR,CHIP[CERAMIC M/L HD	47000PF 50V K X7R(X) 1608 R/TP	
		C341	79092017	0CH1223K942	CAPACITOR,CHIP[CERAMIC M/L HD	0.022UF 50V Z Y5V(F) 1508 R/TP	
		C342	AF000270	0CH1104K512	CAPACITOR, FIXED CERAMIC(Temp.c	0.1UF 50V 10% B(5YP) 1608 R/TP	
		C343	AF000276	0CH1473K562	CAPACITOR,CHIP[CERAMIC M/L HD	47000PF 50V K X7R(X) 1608 R/TP	
		C345	AF000276	0CH1473K562	CAPACITOR,CHIP[CERAMIC M/L HD	47000PF 50V K X7R(X) 1608 R/TP	
		C346	79097108	0CE4764F638	CAPACITOR,ELECTROLYTIC	47M SRA/SS 16V M FM5 TP(5)	
		C347	AF000266	0CE1053K638	CAPACITOR,AL.ELECTROLYTIC	1.0M SRE/SE50V M FM5 TP(5)	
		C348	79098702	0CE1054K638	CAPACITOR,ELECTROLYTIC	1.0M SRA/SS50V M FM5 TP(5)	
		C349	79097108	0CE4764F638	CAPACITOR,ELECTROLYTIC	47M SRA/SS 16V M FM5 TP(5)	
		C350	AF000270	0CH1104K512	CAPACITOR, FIXED CERAMIC(Temp.c	0.1UF 50V 10% B(5YP) 1608 R/TP	
		C351	79092025	0CH4221K412	CAPACITOR,CHIP[CERAMIC M/L TC	220P 50V J COG 1.6X0.8 R/TP	
		C353	79098702	0CE1054K638	CAPACITOR,ELECTROLYTIC	1.0M SRA/SS50V M FM5 TP(5)	
		C355	AF000270	0CH1104K512	CAPACITOR, FIXED CERAMIC(Temp.c	0.1UF 50V 10% B(5YP) 1608 R/TP	
		C356	79098702	0CE1054K638	CAPACITOR,ELECTROLYTIC	1.0M SRA/SS50V M FM5 TP(5)	
		C357	79098702	0CE1054K638	CAPACITOR,ELECTROLYTIC	1.0M SRA/SS50V M FM5 TP(5)	
		C358	AF000286	0CH4680K412	CAPACITOR, FIXED CERAMIC(HIGH D	68PF 50V 5% NP0 1608 R/TP	
		C359	79098702	0CE1054K638	CAPACITOR,ELECTROLYTIC	1.0M SRA/SS50V M FM5 TP(5)	
		C360	79096022	0CH1102K512	CAPACITOR, FIXED CERAMIC(TEMP.C	1000PF 50V 10% B(5YP) 1608 R/T	
		C361	79092017	0CH1223K942	CAPACITOR,CHIP[CERAMIC M/L HD	0.022UF 50V Z Y5V(F) 1508 R/TP	
		C362	79097108	0CE4764F638	CAPACITOR,ELECTROLYTIC	47M SRA/SS 16V M FM5 TP(5)	
		C363	AF000269	0CH1103K512	CAPA,CHIP CERAMIC M/L H.D F/S	0.0100UF 50V K B 1608 R/TP	
		C366	AF000269	0CH1103K512	CAPA,CHIP CERAMIC M/L H.D F/S	0.0100UF 50V K B 1608 R/TP	
		C367	AF000270	0CH1104K512	CAPACITOR, FIXED CERAMIC(Temp.c	0.1UF 50V 10% B(5YP) 1608 R/TP	
		C368	AF000278	0CH1822K562	CAPACITOR, FIXED CERAMIC(Temp.c	8200PF 50V 10% X7R(X) 1608 R/T	
		C370	AF000288	0CH4820K412	CHIP CAPA CERAMIC M/L T.C F/S	82P 50V J COG 1.6X0.8 R/TP	
		C371	AF000288	0CH4820K412	CHIP CAPA CERAMIC M/L T.C F/S	82P 50V J COG 1.6X0.8 R/TP	
		C372	AF000288	0CH4820K412	CHIP CAPA CERAMIC M/L T.C F/S	82P 50V J COG 1.6X0.8 R/TP	
		C374	AF000270	0CH1104K512	CAPACITOR, FIXED CERAMIC(Temp.c	0.1UF 50V 10% B(5YP) 1608 R/TP	
		C375	AF000270	0CH1104K512	CAPACITOR, FIXED CERAMIC(Temp.c	0.1UF 50V 10% B(5YP) 1608 R/TP	
		C376	AF000270	0CH1104K512	CAPACITOR, FIXED CERAMIC(Temp.c	0.1UF 50V 10% B(5YP) 1608 R/TP	
		C401	79092014	0CH1104K942	CAPACITOR,CHIP[CERAMIC M/L HD	0.1UF 50V Z Y5V(F) 1508 R/TP	
		C402	79092014	0CH1104K942	CAPACITOR,CHIP[CERAMIC M/L HD	0.1UF 50V Z Y5V(F) 1508 R/TP	
		C403	79097104	0CE1064F638	CAPACITOR,ELECTROLYTIC	10M SRA 16V M FM5 TP(5)	
		C404	79098715	0CH1105D942	CAPACITOR,CHIP[CERAMIC M/L HD	1UF 10V Z Y5V(F) 1508 R/TP	
		C405	79098705	0CE1074F638	CAPACITOR,ELECTROLYTIC	100U SRA 16V M FM5 TP(5)	
		C406	79098705	0CE1074F638	CAPACITOR,ELECTROLYTIC	100U SRA 16V M FM5 TP(5)	
		C407	79092014	0CH1104K942	CAPACITOR,CHIP[CERAMIC M/L HD	0.1UF 50V Z Y5V(F) 1508 R/TP	
		C408	79097106	0CE2264F638	CAPACITOR, FIXED ELECTROLYTIC	22UF SRA,SS 16V 20% FM5 TP 5	
		C409	79097106	0CE2264F638	CAPACITOR, FIXED ELECTROLYTIC	22UF SRA,SS 16V 20% FM5 TP 5	
		C410	79097106	0CE2264F638	CAPACITOR, FIXED ELECTROLYTIC	22UF SRA,SS 16V 20% FM5 TP 5	
		C411	79097106	0CE2264F638	CAPACITOR, FIXED ELECTROLYTIC	22UF SRA,SS 16V 20% FM5 TP 5	
		C412	AF000692	0CE2274F638	CAPACITOR, FIXED ELECTROLYTIC	220UF SRA,SS 16V 20% FM5 TP 5	
		C413	79098714	0CH1102K562	CAPACITOR, FIXED CERAMIC(Temp.c	1000PF 50V 10% X7R(X) 1608 R/T	
		C414	79098714	0CH1102K562	CAPACITOR, FIXED CERAMIC(Temp.c	1000PF 50V 10% X7R(X) 1608 R/T	
		C415	79098722	0CH4271K412	CAPACITOR, FIXED CERAMIC(HIGH D	270PF 50V 5% NP0 1608 R/TP	
		C416	79098722	0CH4271K412	CAPACITOR, FIXED CERAMIC(HIGH D	270PF 50V 5% NP0 1608 R/TP	
		C417	79098722	0CH4271K412	CAPACITOR, FIXED CERAMIC(HIGH D	270PF 50V 5% NP0 1608 R/TP	
		C418	79098722	0CH4271K412	CAPACITOR, FIXED CERAMIC(HIGH D	270PF 50V 5% NP0 1608 R/TP	
		C419	79092014	0CH1104K942	CAPACITOR,CHIP[CERAMIC M/L HD	0.1UF 50V Z Y5V(F) 1508 R/TP	
		C420	79098705	0CE1074F638	CAPACITOR,ELECTROLYTIC	100U SRA 16V M FM5 TP(5)	
		C421	79098714	0CH1102K562	CAPACITOR, FIXED CERAMIC(Temp.c	1000PF 50V 10% X7R(X) 1608 R/T	

TOSHIBA MODEL : SD-34VLSL

NSP : Not available as service parts.
 RUN DATE : 28-JUNE-04

S	AL	LOCA. NO.	TOSHIBA P/NO	LG PART NO.	DESCRIPTION	SPECIFICATION	REMARKS
		C422	79098714	0CH1102K562	CAPACITOR, FIXED CERAMIC(Temp.c	1000PF 50V 10% X7R(X) 1608 R/T	
		C423	79097106	0CE2264F638	CAPACITOR, FIXED ELECTROLYTIC	22UF SRA, SS 16V 20% FM5 TP 5	
		C424	79097106	0CE2264F638	CAPACITOR, FIXED ELECTROLYTIC	22UF SRA, SS 16V 20% FM5 TP 5	
		C425	79092014	0CH1104K942	CAPACITOR, CHIP[CERAMIC M/L HD	0.1UF 50V Z Y5V(F) 1508 R/TP	
		C426	79098709	0CE2274C638	CAPACITOR, ELECTROLYTIC	220M SRA 6.3V M FM5 TP(5)	
		C427	79092014	0CH1104K942	CAPACITOR, CHIP[CERAMIC M/L HD	0.1UF 50V Z Y5V(F) 1508 R/TP	
		C428	79098705	0CE1074F638	CAPACITOR, ELECTROLYTIC	100U SRA 16V M FM5 TP(5)	
		C500	79096020	0CE4775C638	CAPACITOR, FIXED ELECTROLYTIC	470UF SR, SV 6.3V 20% FM5 TP 5	
		C501	79092014	0CH1104K942	CAPACITOR, CHIP[CERAMIC M/L HD	0.1UF 50V Z Y5V(F) 1508 R/TP	
		C502	79097108	0CE4764F638	CAPACITOR, ELECTROLYTIC	47M SRA/SS 16V M FM5 TP(5)	
		C503	79098709	0CE2274C638	CAPACITOR, ELECTROLYTIC	220M SRA 6.3V M FM5 TP(5)	
		C504	79098709	0CE2274C638	CAPACITOR, ELECTROLYTIC	220M SRA 6.3V M FM5 TP(5)	
		C505	79097108	0CE4764F638	CAPACITOR, ELECTROLYTIC	47M SRA/SS 16V M FM5 TP(5)	
		C506	79092017	0CH1223K942	CAPACITOR, CHIP[CERAMIC M/L HD	0.022UF 50V Z Y5V(F) 1508 R/TP	
		C508	79092014	0CH1104K942	CAPACITOR, CHIP[CERAMIC M/L HD	0.1UF 50V Z Y5V(F) 1508 R/TP	
		C509	79092024	0CH4220K412	CAPA, CHIP CERAMIC M/L T.C F/S	22P 50V J COG 1.6X0.8 R/TP	
		C511	79092014	0CH1104K942	CAPACITOR, CHIP[CERAMIC M/L HD	0.1UF 50V Z Y5V(F) 1508 R/TP	
		C512	79096022	0CH1102K512	CAPACITOR, FIXED CERAMIC(TEMP.C	1000PF 50V 10% B(5YP) 1608 R/T	
		C513	79096022	0CH1102K512	CAPACITOR, FIXED CERAMIC(TEMP.C	1000PF 50V 10% B(5YP) 1608 R/T	
		C514	AF000280	0CH4120K412	CHIP CAPA CERAMIC M/L T.C F/S	12P 50V J COG 1.6X0.8 R/TP	
		C515	AF000281	0CH4150K412	CAPA, CHIP CERAMIC M/L T.C F/S	15P 50V J COG 1.6X0.8 R/TP	
		C516	79092017	0CH1223K942	CAPACITOR, CHIP[CERAMIC M/L HD	0.022UF 50V Z Y5V(F) 1508 R/TP	
		C518	79092013	0CH1103K562	CAPACITOR, FIXED CERAMIC(TEMP.C	0.01UF 50V 10% X7R(X) 1608 R/T	
		C519	79092014	0CH1104K942	CAPACITOR, CHIP[CERAMIC M/L HD	0.1UF 50V Z Y5V(F) 1508 R/TP	
		C520	79096022	0CH1102K512	CAPACITOR, FIXED CERAMIC(TEMP.C	1000PF 50V 10% B(5YP) 1608 R/T	
		C521	79096022	0CH1102K512	CAPACITOR, FIXED CERAMIC(TEMP.C	1000PF 50V 10% B(5YP) 1608 R/T	
		C523	79096269	0CE2254K638	CAPACITOR, FIXED ELECTROLYTIC	2.2UF SRA, SS 50V 20% FM5 TP 5	
		C524	79097108	0CE4764F638	CAPACITOR, ELECTROLYTIC	47M SRA/SS 16V M FM5 TP(5)	
		C525	AF000271	0CH1105F942	CAPACITOR, FIXED CERAMIC(Temp.c	1000000PF 16V 80%,-20% Y5V(F)	
		C526	79097109	0CE4764J638	CAPACITOR, AL.ELECTROLYTIC	47UF SRA, SS 35V M FM5 TP 5	
		C527	79092025	0CH4221K412	CAPACITOR, CHIP[CERAMIC M/L TC	220P 50V J COG 1.6X0.8 R/TP	
		C533	79096022	0CH1102K512	CAPACITOR, FIXED CERAMIC(TEMP.C	1000PF 50V 10% B(5YP) 1608 R/T	
		C534	79096275	0CE4754K638	CAPACITOR, FIXED ELECTROLYTIC	4.7UF SRA, SS 50V 20% FM5 TP 5	
		C535	79096275	0CE4754K638	CAPACITOR, FIXED ELECTROLYTIC	4.7UF SRA, SS 50V 20% FM5 TP 5	
		C543	AF000274	0CH1222K512	CAPACITOR, CHIP[CERAMIC M/L HD	2200PF 50V K B 1608 R/TP	
		C544	79092021	0CH1473H942	CAPA, CHIP CERAMIC M/L H.D F/S	0.0470UF 25V Z Y5V(F) 1608 R/T	
		C545	79092019	0CH1333K562	CAPACITOR, CHIP[CERAMIC M/L HD	0.033UF 50V K X7R(X) 1508 R/TP	
		C546	79097109	0CE4764J638	CAPACITOR, AL.ELECTROLYTIC	47UF SRA, SS 35V M FM5 TP 5	
		C547	79092013	0CH1103K562	CAPACITOR, FIXED CERAMIC(TEMP.C	0.01UF 50V 10% X7R(X) 1608 R/T	
		C551	79092019	0CH1333K562	CAPACITOR, CHIP[CERAMIC M/L HD	0.033UF 50V K X7R(X) 1508 R/TP	
		C552	79092013	0CH1103K562	CAPACITOR, FIXED CERAMIC(TEMP.C	0.01UF 50V 10% X7R(X) 1608 R/T	
		C561	79098709	0CE2274C638	CAPACITOR, ELECTROLYTIC	220M SRA 6.3V M FM5 TP(5)	
		C564	79096022	0CH1102K512	CAPACITOR, FIXED CERAMIC(TEMP.C	1000PF 50V 10% B(5YP) 1608 R/T	
		C567	79096022	0CH1102K512	CAPACITOR, FIXED CERAMIC(TEMP.C	1000PF 50V 10% B(5YP) 1608 R/T	
		C570	AF000281	0CH4150K412	CAPA, CHIP CERAMIC M/L T.C F/S	15P 50V J COG 1.6X0.8 R/TP	
		C571	AF000281	0CH4150K412	CAPA, CHIP CERAMIC M/L T.C F/S	15P 50V J COG 1.6X0.8 R/TP	
		C575	79096022	0CH1102K512	CAPACITOR, FIXED CERAMIC(TEMP.C	1000PF 50V 10% B(5YP) 1608 R/T	
		C576	79098721	0CH4270K412	CAPACITOR, CHIP[CERAMIC M/L TC	27PF 50V J NPO 1608 R/TP	
		C577	79092017	0CH1223K942	CAPACITOR, CHIP[CERAMIC M/L HD	0.022UF 50V Z Y5V(F) 1508 R/TP	
		C581	79092013	0CH1103K562	CAPACITOR, FIXED CERAMIC(TEMP.C	0.01UF 50V 10% X7R(X) 1608 R/T	
		C582	79092013	0CH1103K562	CAPACITOR, FIXED CERAMIC(TEMP.C	0.01UF 50V 10% X7R(X) 1608 R/T	
		C583	AF000271	0CH1105F942	CAPACITOR, FIXED CERAMIC(Temp.c	1000000PF 16V 80%,-20% Y5V(F)	
		C596	79092014	0CH1104K942	CAPACITOR, CHIP[CERAMIC M/L HD	0.1UF 50V Z Y5V(F) 1508 R/TP	
		C5A3	79092014	0CH1104K942	CAPACITOR, CHIP[CERAMIC M/L HD	0.1UF 50V Z Y5V(F) 1508 R/TP	
		C5A4	79092013	0CH1103K562	CAPACITOR, FIXED CERAMIC(TEMP.C	0.01UF 50V 10% X7R(X) 1608 R/T	
		C5A5	79098702	0CE1054K638	CAPACITOR, ELECTROLYTIC	1.0M SRA/SS50V M FM5 TP(5)	
		C5K1	79092014	0CH1104K942	CAPACITOR, CHIP[CERAMIC M/L HD	0.1UF 50V Z Y5V(F) 1508 R/TP	
		C5L1	AF000271	0CH1105F942	CAPACITOR, FIXED CERAMIC(Temp.c	1000000PF 16V 80%,-20% Y5V(F)	
		C5L6	79096022	0CH1102K512	CAPACITOR, FIXED CERAMIC(TEMP.C	1000PF 50V 10% B(5YP) 1608 R/T	
		C5P1	79092013	0CH1103K562	CAPACITOR, FIXED CERAMIC(TEMP.C	0.01UF 50V 10% X7R(X) 1608 R/T	
		C5P2	79092013	0CH1103K562	CAPACITOR, FIXED CERAMIC(TEMP.C	0.01UF 50V 10% X7R(X) 1608 R/T	
		C5S1	79096597	0CH4430K416	CAPACITOR, FIXED CERAMIC(High d	43PF 50V J NPO 2012 R/TP	
		C5S3	79092017	0CH1223K942	CAPACITOR, CHIP[CERAMIC M/L HD	0.022UF 50V Z Y5V(F) 1508 R/TP	
		C601	79098715	0CH1105D942	CAPACITOR, CHIP[CERAMIC M/L HD	1UF 10V Z Y5V(F) 1508 R/TP	
		C602	79098715	0CH1105D942	CAPACITOR, CHIP[CERAMIC M/L HD	1UF 10V Z Y5V(F) 1508 R/TP	
		C603	79098715	0CH1105D942	CAPACITOR, CHIP[CERAMIC M/L HD	1UF 10V Z Y5V(F) 1508 R/TP	
		C604	79098715	0CH1105D942	CAPACITOR, CHIP[CERAMIC M/L HD	1UF 10V Z Y5V(F) 1508 R/TP	
		C605	79098715	0CH1105D942	CAPACITOR, CHIP[CERAMIC M/L HD	1UF 10V Z Y5V(F) 1508 R/TP	
		C607	79092014	0CH1104K942	CAPACITOR, CHIP[CERAMIC M/L HD	0.1UF 50V Z Y5V(F) 1508 R/TP	
		C608	79092014	0CH1104K942	CAPACITOR, CHIP[CERAMIC M/L HD	0.1UF 50V Z Y5V(F) 1508 R/TP	
		C609	79092014	0CH1104K942	CAPACITOR, CHIP[CERAMIC M/L HD	0.1UF 50V Z Y5V(F) 1508 R/TP	
		C610	79092014	0CH1104K942	CAPACITOR, CHIP[CERAMIC M/L HD	0.1UF 50V Z Y5V(F) 1508 R/TP	
		C612	79096154	0CH4331K412	CAPACITOR, CHIP[CERAMIC M/L TC	330P 50V J COG 1.6X0.8 R/TP	
		C613	AF000694	0CH1473K942	CAPACITOR, FIXED CERAMIC(Temp.c	0.047UF 50V 80%,-20% Y5V(F) 16	
		C614	79096609	0CH1153K562	CAPACITOR, FIXED CERAMIC(Temp.c	0.015UF 50V 10% X7R(X) 1608 R/	

TOSHIBA MODEL : SD-34VLSL

NSP : Not available as service parts.
 RUN DATE : 28-JUNE-04

S	AL	LOCA. NO.	TOSHIBA P/NO	LG PART NO.	DESCRIPTION	SPECIFICATION	REMARKS
		C615	79092014	0CH1104K942	CAPACITOR,CHIP CERAMIC M/L HD	0.1UF 50V Z Y5V(F) 1508 R/TP	
		C617	79096154	0CH4331K412	CAPACITOR,CHIP CERAMIC M/L TC	330P 50V J COG 1.6X0.8 R/TP	
		C618	79098716	0CH1152K562	CAPACITOR,FIXED CERAMIC(Temp.c	1500PF 50V 10% X7R(X) 1608 R/T	
		C619	79092014	0CH1104K942	CAPACITOR,CHIP CERAMIC M/L HD	0.1UF 50V Z Y5V(F) 1508 R/TP	
		C620	79092014	0CH1104K942	CAPACITOR,CHIP CERAMIC M/L HD	0.1UF 50V Z Y5V(F) 1508 R/TP	
		C621	79092014	0CH1104K942	CAPACITOR,CHIP CERAMIC M/L HD	0.1UF 50V Z Y5V(F) 1508 R/TP	
		C622	79092014	0CH1104K942	CAPACITOR,CHIP CERAMIC M/L HD	0.1UF 50V Z Y5V(F) 1508 R/TP	
		C623	79092014	0CH1104K942	CAPACITOR,CHIP CERAMIC M/L HD	0.1UF 50V Z Y5V(F) 1508 R/TP	
		C624	79092014	0CH1104K942	CAPACITOR,CHIP CERAMIC M/L HD	0.1UF 50V Z Y5V(F) 1508 R/TP	
		C625	79092014	0CH1104K942	CAPACITOR,CHIP CERAMIC M/L HD	0.1UF 50V Z Y5V(F) 1508 R/TP	
		C626	79092014	0CH1104K942	CAPACITOR,CHIP CERAMIC M/L HD	0.1UF 50V Z Y5V(F) 1508 R/TP	
		C627	79092014	0CH1104K942	CAPACITOR,CHIP CERAMIC M/L HD	0.1UF 50V Z Y5V(F) 1508 R/TP	
		C628	79092014	0CH1104K942	CAPACITOR,CHIP CERAMIC M/L HD	0.1UF 50V Z Y5V(F) 1508 R/TP	
		C629	79092014	0CH1104K942	CAPACITOR,CHIP CERAMIC M/L HD	0.1UF 50V Z Y5V(F) 1508 R/TP	
		C630	79092014	0CH1104K942	CAPACITOR,CHIP CERAMIC M/L HD	0.1UF 50V Z Y5V(F) 1508 R/TP	
		C631	79092014	0CH1104K942	CAPACITOR,CHIP CERAMIC M/L HD	0.1UF 50V Z Y5V(F) 1508 R/TP	
		C633	79092014	0CH1104K942	CAPACITOR,CHIP CERAMIC M/L HD	0.1UF 50V Z Y5V(F) 1508 R/TP	
		C636	79098720	0CH4180K412	CAPACITOR,CHIP CERAMIC M/L TC	18P 50V J COG 1.6X0.8 R/TP	
		C637	AF000280	0CH4120K412	CHIP CAPA CERAMIC M/L T.C F/S	12P 50V J COG 1.6X0.8 R/TP	
		C640	79092014	0CH1104K942	CAPACITOR,CHIP CERAMIC M/L HD	0.1UF 50V Z Y5V(F) 1508 R/TP	
		C641	79092014	0CH1104K942	CAPACITOR,CHIP CERAMIC M/L HD	0.1UF 50V Z Y5V(F) 1508 R/TP	
		C643	79092014	0CH1104K942	CAPACITOR,CHIP CERAMIC M/L HD	0.1UF 50V Z Y5V(F) 1508 R/TP	
		C646	79092014	0CH1104K942	CAPACITOR,CHIP CERAMIC M/L HD	0.1UF 50V Z Y5V(F) 1508 R/TP	
		C649	AF000695	0CH1474H942	CAPACITOR,FIXED CERAMIC(Temp.c	0.47UF 25V 80%,-20% Y5V(F) 160	
		C651	79096598	0CH4391K412	CAPACITOR,CHIP CERAMIC M/L TC	390PF 50V J NP0 1508 R/TP	
		C652	79092014	0CH1104K942	CAPACITOR,CHIP CERAMIC M/L HD	0.1UF 50V Z Y5V(F) 1508 R/TP	
		C653	AF000694	0CH1473K942	CAPACITOR,FIXED CERAMIC(Temp.c	0.047UF 50V 80%,-20% Y5V(F) 16	
		C654	AF000694	0CH1473K942	CAPACITOR,FIXED CERAMIC(Temp.c	0.047UF 50V 80%,-20% Y5V(F) 16	
		C655	79098715	0CH1105D942	CAPACITOR,CHIP CERAMIC M/L HD	1UF 10V Z Y5V(F) 1508 R/TP	
		C657	79092014	0CH1104K942	CAPACITOR,CHIP CERAMIC M/L HD	0.1UF 50V Z Y5V(F) 1508 R/TP	
		C658	79092014	0CH1104K942	CAPACITOR,CHIP CERAMIC M/L HD	0.1UF 50V Z Y5V(F) 1508 R/TP	
		C659	79098715	0CH1105D942	CAPACITOR,CHIP CERAMIC M/L HD	1UF 10V Z Y5V(F) 1508 R/TP	
		C660	79092014	0CH1104K942	CAPACITOR,CHIP CERAMIC M/L HD	0.1UF 50V Z Y5V(F) 1508 R/TP	
		C661	79092014	0CH1104K942	CAPACITOR,CHIP CERAMIC M/L HD	0.1UF 50V Z Y5V(F) 1508 R/TP	
		C662	79098714	0CH1102K562	CAPACITOR,FIXED CERAMIC(Temp.c	1000PF 50V 10% X7R(X) 1608 R/T	
		C663	AF000283	0CH4200K412	CAPACITOR,FIXED CERAMIC(High d	20PF 50V 5% NP0 1608 R/TP	
		C664	79092014	0CH1104K942	CAPACITOR,CHIP CERAMIC M/L HD	0.1UF 50V Z Y5V(F) 1508 R/TP	
		C665	79092019	0CH1333K562	CAPACITOR,CHIP CERAMIC M/L HD	0.033UF 50V K X7R(X) 1508 R/TP	
		C667	79092014	0CH1104K942	CAPACITOR,CHIP CERAMIC M/L HD	0.1UF 50V Z Y5V(F) 1508 R/TP	
		C668	79092014	0CH1104K942	CAPACITOR,CHIP CERAMIC M/L HD	0.1UF 50V Z Y5V(F) 1508 R/TP	
		C669	79092014	0CH1104K942	CAPACITOR,CHIP CERAMIC M/L HD	0.1UF 50V Z Y5V(F) 1508 R/TP	
		C670	79092014	0CH1104K942	CAPACITOR,CHIP CERAMIC M/L HD	0.1UF 50V Z Y5V(F) 1508 R/TP	
		C671	79092014	0CH1104K942	CAPACITOR,CHIP CERAMIC M/L HD	0.1UF 50V Z Y5V(F) 1508 R/TP	
		C673	79092014	0CH1104K942	CAPACITOR,CHIP CERAMIC M/L HD	0.1UF 50V Z Y5V(F) 1508 R/TP	
		C674	79092014	0CH1104K942	CAPACITOR,CHIP CERAMIC M/L HD	0.1UF 50V Z Y5V(F) 1508 R/TP	
		C675	79092013	0CH1103K562	CAPACITOR,FIXED CERAMIC(TEMP.C	0.01UF 50V 10% X7R(X) 1608 R/T	
		C676	79092016	0CH1222K562	CAPACITOR,CHIP CERAMIC M/L HD	2200PF 50V K X7R(X) 1608 R/TP	
		C677	79092014	0CH1104K942	CAPACITOR,CHIP CERAMIC M/L HD	0.1UF 50V Z Y5V(F) 1508 R/TP	
		C678	79092014	0CH1104K942	CAPACITOR,CHIP CERAMIC M/L HD	0.1UF 50V Z Y5V(F) 1508 R/TP	
		C679	79092014	0CH1104K942	CAPACITOR,CHIP CERAMIC M/L HD	0.1UF 50V Z Y5V(F) 1508 R/TP	
		C683	79092014	0CH1104K942	CAPACITOR,CHIP CERAMIC M/L HD	0.1UF 50V Z Y5V(F) 1508 R/TP	
		C684	79092014	0CH1104K942	CAPACITOR,CHIP CERAMIC M/L HD	0.1UF 50V Z Y5V(F) 1508 R/TP	
		C685	79092014	0CH1104K942	CAPACITOR,CHIP CERAMIC M/L HD	0.1UF 50V Z Y5V(F) 1508 R/TP	
		C686	79092014	0CH1104K942	CAPACITOR,CHIP CERAMIC M/L HD	0.1UF 50V Z Y5V(F) 1508 R/TP	
		C687	79092014	0CH1104K942	CAPACITOR,CHIP CERAMIC M/L HD	0.1UF 50V Z Y5V(F) 1508 R/TP	
		C695	79092014	0CH1104K942	CAPACITOR,CHIP CERAMIC M/L HD	0.1UF 50V Z Y5V(F) 1508 R/TP	
		C698	79092014	0CH1104K942	CAPACITOR,CHIP CERAMIC M/L HD	0.1UF 50V Z Y5V(F) 1508 R/TP	
		C6A9	79092025	0CH4221K412	CAPACITOR,CHIP CERAMIC M/L TC	220P 50V J COG 1.6X0.8 R/TP	
		C6B7	79092014	0CH1104K942	CAPACITOR,CHIP CERAMIC M/L HD	0.1UF 50V Z Y5V(F) 1508 R/TP	
		C6B9	79097108	0CE4764F638	CAPACITOR,ELECTROLYTIC	47M SRA/SS 16V M FM5 TP(5)	
		C6C1	79097108	0CE4764F638	CAPACITOR,ELECTROLYTIC	47M SRA/SS 16V M FM5 TP(5)	
		C6C2	79097106	0CE2264F638	CAPACITOR,FIXED ELECTROLYTIC	22UF SRA,SS 16V 20% FM5 TP 5	
		C6C3	79097104	0CE1064F638	CAPACITOR,ELECTROLYTIC	10M SRA 16V M FM5 TP(5)	
		C6C4	79097104	0CE1064F638	CAPACITOR,ELECTROLYTIC	10M SRA 16V M FM5 TP(5)	
		C6C5	79097108	0CE4764F638	CAPACITOR,ELECTROLYTIC	47M SRA/SS 16V M FM5 TP(5)	
		C6C6	79097104	0CE1064F638	CAPACITOR,ELECTROLYTIC	10M SRA 16V M FM5 TP(5)	
		C6C7	79098705	0CE1074F638	CAPACITOR,ELECTROLYTIC	100U SRA 16V M FM5 TP(5)	
		C6C9	79098709	0CE2274C638	CAPACITOR,ELECTROLYTIC	220M SRA 6.3V M FM5 TP(5)	
		C6D4	79098709	0CE2274C638	CAPACITOR,ELECTROLYTIC	220M SRA 6.3V M FM5 TP(5)	
		C6F7	79092014	0CH1104K942	CAPACITOR,CHIP CERAMIC M/L HD	0.1UF 50V Z Y5V(F) 1508 R/TP	
		C6G4	79092014	0CH1104K942	CAPACITOR,CHIP CERAMIC M/L HD	0.1UF 50V Z Y5V(F) 1508 R/TP	
		C702	79096020	0CE4775C638	CAPACITOR,FIXED ELECTROLYTIC	470UF SR,SV 6.3V 20% FM5 TP 5	
		C703	AF000269	0CH1103K512	CAPA,CHIP CERAMIC M/L H.D F/S	0.0100UF 50V K B 1608 R/TP	
		C704	79096022	0CH1102K512	CAPACITOR,FIXED CERAMIC(TEMP.C	1000PF 50V 10% B(5YP) 1608 R/T	
		C706	79092026	0CH4330K412	CAPACITOR,CHIP CERAMIC M/L TC	33P 50V J COG 1.6X0.8 R/TP	

TOSHIBA MODEL : SD-34VLSL

NSP : Not available as service parts.
 RUN DATE : 28-JUNE-04

S	AL	LOCA. NO.	TOSHIBA P/NO	LG PART NO.	DESCRIPTION	SPECIFICATION	REMARKS
		C707	AF000286	0CH4680K412	CAPACITOR, FIXED CERAMIC(HIGH D	68PF 50V 5% NP0 1608 R/TP	
		C709	79092014	0CH1104K942	CAPACITOR,CHIP CERAMIC M/L HD	0.1UF 50V Z Y5V(F) 1508 R/TP	
		C710	79096275	0CE4754K638	CAPACITOR, FIXED ELECTROLYTIC	4.7UF SRA,SS 50V 20% FM5 TP 5	
		C712	AF000269	0CH1103K512	CAPA,CHIP CERAMIC M/L H.D F/S	0.0100UF 50V K B 1608 R/TP	
		C713	79092027	0CH4560K412	CAPA,CHIP CERAMIC M/L T.C F/S	56P 50V J COG 1.6X0.8 R/TP	
		C714	79092027	0CH4560K412	CAPA,CHIP CERAMIC M/L T.C F/S	56P 50V J COG 1.6X0.8 R/TP	
		C715	AF000279	0CH4050K012	CAPACITOR, FIXED CERAMIC(HIGH D	5PF 50V O.25 PF NP0 1608 R/TP	
		C716	79096152	0CH4100K412	CAPACITOR,CHIP CERAMIC M/L TC	10PF 50V J NP0 1608 R/TP	
		C717	AF000269	0CH1103K512	CAPA,CHIP CERAMIC M/L H.D F/S	0.0100UF 50V K B 1608 R/TP	
		C718	79096276	0CE4764C638	CAPACITOR,ELECTROLYTIC	47M SRA 6.3V M FM5 TP(5)	
		C719	79096276	0CE4764C638	CAPACITOR,ELECTROLYTIC	47M SRA 6.3V M FM5 TP(5)	
		C720	AF000275	0CH1392K512	CAPACITOR, FIXED CERAMIC(Temp.c	3900PF 50V 10% B(5YP) 1608 R/T	
		C721	AF000275	0CH1392K512	CAPACITOR, FIXED CERAMIC(Temp.c	3900PF 50V 10% B(5YP) 1608 R/T	
		C722	AF000269	0CH1103K512	CAPA,CHIP CERAMIC M/L H.D F/S	0.0100UF 50V K B 1608 R/TP	
		C723	AF000269	0CH1103K512	CAPA,CHIP CERAMIC M/L H.D F/S	0.0100UF 50V K B 1608 R/TP	
		C726	AF000269	0CH1103K512	CAPA,CHIP CERAMIC M/L H.D F/S	0.0100UF 50V K B 1608 R/TP	
		C727	79096276	0CE4764C638	CAPACITOR,ELECTROLYTIC	47M SRA 6.3V M FM5 TP(5)	
		C728	AF000269	0CH1103K512	CAPA,CHIP CERAMIC M/L H.D F/S	0.0100UF 50V K B 1608 R/TP	
		C729	79096272	0CE3354K638	CAPACITOR, FIXED ELECTROLYTIC	3.3UF SRA,SS 50V 20% FM5 TP 5	
		C732	79097104	0CE1064F638	CAPACITOR,ELECTROLYTIC	10M SRA 16V M FM5 TP(5)	
		C751	79096276	0CE4764C638	CAPACITOR,ELECTROLYTIC	47M SRA 6.3V M FM5 TP(5)	
		C752	AF000269	0CH1103K512	CAPA,CHIP CERAMIC M/L H.D F/S	0.0100UF 50V K B 1608 R/TP	
		C7M3	79098721	0CH4270K412	CAPACITOR,CHIP CERAMIC M/L TC	27PF 50V J NP0 1608 R/TP	
		C7M5	AF000271	0CH1105F942	CAPACITOR, FIXED CERAMIC(Temp.c	1000000PF 16V 80%,-20% Y5V(F)	
		C7M6	79098721	0CH4270K412	CAPACITOR,CHIP CERAMIC M/L TC	27PF 50V J NP0 1608 R/TP	
		C7V1	79096276	0CE4764C638	CAPACITOR,ELECTROLYTIC	47M SRA 6.3V M FM5 TP(5)	
		C7V2	AF000269	0CH1103K512	CAPA,CHIP CERAMIC M/L H.D F/S	0.0100UF 50V K B 1608 R/TP	
		C7V3	79098702	0CE1054K638	CAPACITOR,ELECTROLYTIC	1.0M SRA/SS50V M FM5 TP(5)	
		C7V4	79092021	0CH1473H942	CAPA,CHIP CERAMIC M/L H.D F/S	0.0470UF 25V Z Y5V(F) 1608 R/T	
		C7V5	79092021	0CH1473H942	CAPA,CHIP CERAMIC M/L H.D F/S	0.0470UF 25V Z Y5V(F) 1608 R/T	
		C802	79092014	0CH1104K942	CAPACITOR,CHIP CERAMIC M/L HD	0.1UF 50V Z Y5V(F) 1508 R/TP	
		C803	79092014	0CH1104K942	CAPACITOR,CHIP CERAMIC M/L HD	0.1UF 50V Z Y5V(F) 1508 R/TP	
		C804	79092014	0CH1104K942	CAPACITOR,CHIP CERAMIC M/L HD	0.1UF 50V Z Y5V(F) 1508 R/TP	
		C805	79092014	0CH1104K942	CAPACITOR,CHIP CERAMIC M/L HD	0.1UF 50V Z Y5V(F) 1508 R/TP	
		C806	79097104	0CE1064F638	CAPACITOR,ELECTROLYTIC	10M SRA 16V M FM5 TP(5)	
		C807	79096616	0CE4744K638	CAPACITOR,ELECTROLYTIC	0.47M SRA 50V M FM5 TP(5)	
		C810	AF000271	0CH1105F942	CAPACITOR, FIXED CERAMIC(Temp.c	1000000PF 16V 80%,-20% Y5V(F)	
		C811	AF000271	0CH1105F942	CAPACITOR, FIXED CERAMIC(Temp.c	1000000PF 16V 80%,-20% Y5V(F)	
		C812	79097104	0CE1064F638	CAPACITOR,ELECTROLYTIC	10M SRA 16V M FM5 TP(5)	
		C813	AF000277	0CH1682K512	CAPACITOR, FIXED CERAMIC(Temp.c	6800PF 50V 10% B(5YP) 1608 R/T	
		C814	79097108	0CE4764F638	CAPACITOR,ELECTROLYTIC	47M SRA/SS 16V M FM5 TP(5)	
		C815	79097104	0CE1064F638	CAPACITOR,ELECTROLYTIC	10M SRA 16V M FM5 TP(5)	
		C816	79097104	0CE1064F638	CAPACITOR,ELECTROLYTIC	10M SRA 16V M FM5 TP(5)	
		C817	79097104	0CE1064F638	CAPACITOR,ELECTROLYTIC	10M SRA 16V M FM5 TP(5)	
		C818	79097108	0CE4764F638	CAPACITOR,ELECTROLYTIC	47M SRA/SS 16V M FM5 TP(5)	
		C819	AF000277	0CH1682K512	CAPACITOR, FIXED CERAMIC(Temp.c	6800PF 50V 10% B(5YP) 1608 R/T	
		C820	79097104	0CE1064F638	CAPACITOR,ELECTROLYTIC	10M SRA 16V M FM5 TP(5)	
		C821	79092013	0CH1103K562	CAPACITOR, FIXED CERAMIC(TEMP.C	0.01UF 50V 10% X7R(X) 1608 R/T	
		C822	79097108	0CE4764F638	CAPACITOR,ELECTROLYTIC	47M SRA/SS 16V M FM5 TP(5)	
		C823	79092014	0CH1104K942	CAPACITOR,CHIP CERAMIC M/L HD	0.1UF 50V Z Y5V(F) 1508 R/TP	
		C824	79092013	0CH1103K562	CAPACITOR, FIXED CERAMIC(TEMP.C	0.01UF 50V 10% X7R(X) 1608 R/T	
		C825	79097108	0CE4764F638	CAPACITOR,ELECTROLYTIC	47M SRA/SS 16V M FM5 TP(5)	
		C826	79092013	0CH1103K562	CAPACITOR, FIXED CERAMIC(TEMP.C	0.01UF 50V 10% X7R(X) 1608 R/T	
		C828	79097104	0CE1064F638	CAPACITOR,ELECTROLYTIC	10M SRA 16V M FM5 TP(5)	
		C829	79097104	0CE1064F638	CAPACITOR,ELECTROLYTIC	10M SRA 16V M FM5 TP(5)	
		C855	AF000271	0CH1105F942	CAPACITOR, FIXED CERAMIC(Temp.c	1000000PF 16V 80%,-20% Y5V(F)	
		C856	AF000271	0CH1105F942	CAPACITOR, FIXED CERAMIC(Temp.c	1000000PF 16V 80%,-20% Y5V(F)	
		C857	79097104	0CE1064F638	CAPACITOR,ELECTROLYTIC	10M SRA 16V M FM5 TP(5)	
		C859	79097106	0CE2264F638	CAPACITOR, FIXED ELECTROLYTIC	22UF SRA,SS 16V 20% FM5 TP 5	
		C860	79097104	0CE1064F638	CAPACITOR,ELECTROLYTIC	10M SRA 16V M FM5 TP(5)	
		C861	79097104	0CE1064F638	CAPACITOR,ELECTROLYTIC	10M SRA 16V M FM5 TP(5)	
		C862	79097104	0CE1064F638	CAPACITOR,ELECTROLYTIC	10M SRA 16V M FM5 TP(5)	
		C863	79097108	0CE4764F638	CAPACITOR,ELECTROLYTIC	47M SRA/SS 16V M FM5 TP(5)	
		C864	79098702	0CE1054K638	CAPACITOR,ELECTROLYTIC	1.0M SRA/SS50V M FM5 TP(5)	
		C865	AF000286	0CH4680K412	CAPACITOR, FIXED CERAMIC(HIGH D	68PF 50V 5% NP0 1608 R/TP	
		C867	79097106	0CE2264F638	CAPACITOR, FIXED ELECTROLYTIC	22UF SRA,SS 16V 20% FM5 TP 5	
		C869	79097104	0CE1064F638	CAPACITOR,ELECTROLYTIC	10M SRA 16V M FM5 TP(5)	
		C870	79092014	0CH1104K942	CAPACITOR,CHIP CERAMIC M/L HD	0.1UF 50V Z Y5V(F) 1508 R/TP	
		C871	79092014	0CH1104K942	CAPACITOR,CHIP CERAMIC M/L HD	0.1UF 50V Z Y5V(F) 1508 R/TP	
		C884	79092014	0CH1104K942	CAPACITOR,CHIP CERAMIC M/L HD	0.1UF 50V Z Y5V(F) 1508 R/TP	
		C885	79092014	0CH1104K942	CAPACITOR,CHIP CERAMIC M/L HD	0.1UF 50V Z Y5V(F) 1508 R/TP	
		C886	79096020	0CE4775C638	CAPACITOR, FIXED ELECTROLYTIC	470UF SR,SV 6.3V 20% FM5 TP 5	
		C887	79097104	0CE1064F638	CAPACITOR,ELECTROLYTIC	10M SRA 16V M FM5 TP(5)	
		C888	79097104	0CE1064F638	CAPACITOR,ELECTROLYTIC	10M SRA 16V M FM5 TP(5)	
		C889	79092014	0CH1104K942	CAPACITOR,CHIP CERAMIC M/L HD	0.1UF 50V Z Y5V(F) 1508 R/TP	

TOSHIBA MODEL : SD-34VLSL

NSP : Not available as service parts.
 RUN DATE : 28-JUNE-04

S	AL	LOCA. NO.	TOSHIBA P/NO	LG PART NO.	DESCRIPTION	SPECIFICATION	REMARKS
		C890	79092014	0CH1104K942	CAPACITOR,CHIP[CERAMIC M/L HD	0.1UF 50V Z Y5V(F) 1508 R/TP	
		C901	79096020	0CE4775C638	CAPACITOR,FIXED ELECTROLYTIC	470UF SR,SV 6.3V 20% FM5 TP 5	
		C902	79096020	0CE4775C638	CAPACITOR,FIXED ELECTROLYTIC	470UF SR,SV 6.3V 20% FM5 TP 5	
		C903	79092013	0CH1103K562	CAPACITOR,FIXED CERAMIC(TEMP.C	0.01UF 50V 10% X7R(X) 1608 R/T	
		C911	79092014	0CH1104K942	CAPACITOR,CHIP[CERAMIC M/L HD	0.1UF 50V Z Y5V(F) 1508 R/TP	
		C912	79097121	0CH4101K412	CHIP CAPA CERAMIC M/L T.C F/S	100P 50V J COG 1.6X0.8 R/TP	
		C913	79097121	0CH4101K412	CHIP CAPA CERAMIC M/L T.C F/S	100P 50V J COG 1.6X0.8 R/TP	
		C915	79098721	0CH4270K412	CAPACITOR,CHIP[CERAMIC M/L TC	27PF 50V J NP0 1608 R/TP	
		C916	79096022	0CH1102K512	CAPACITOR,FIXED CERAMIC(TEMP.C	1000PF 50V 10% B(5YP) 1608 R/T	
		C917	79096022	0CH1102K512	CAPACITOR,FIXED CERAMIC(TEMP.C	1000PF 50V 10% B(5YP) 1608 R/T	
		C919	79096022	0CH1102K512	CAPACITOR,FIXED CERAMIC(TEMP.C	1000PF 50V 10% B(5YP) 1608 R/T	
		C921	79096022	0CH1102K512	CAPACITOR,FIXED CERAMIC(TEMP.C	1000PF 50V 10% B(5YP) 1608 R/T	
		C931	79096020	0CE4775C638	CAPACITOR,FIXED ELECTROLYTIC	470UF SR,SV 6.3V 20% FM5 TP 5	
		C932	79096020	0CE4775C638	CAPACITOR,FIXED ELECTROLYTIC	470UF SR,SV 6.3V 20% FM5 TP 5	
		C933	79096020	0CE4775C638	CAPACITOR,FIXED ELECTROLYTIC	470UF SR,SV 6.3V 20% FM5 TP 5	
		C934	79096020	0CE4775C638	CAPACITOR,FIXED ELECTROLYTIC	470UF SR,SV 6.3V 20% FM5 TP 5	
		C935	79096020	0CE4775C638	CAPACITOR,FIXED ELECTROLYTIC	470UF SR,SV 6.3V 20% FM5 TP 5	
		C941	79092014	0CH1104K942	CAPACITOR,CHIP[CERAMIC M/L HD	0.1UF 50V Z Y5V(F) 1508 R/TP	
		C942	79092014	0CH1104K942	CAPACITOR,CHIP[CERAMIC M/L HD	0.1UF 50V Z Y5V(F) 1508 R/TP	
		C943	79097121	0CH4101K412	CHIP CAPA CERAMIC M/L T.C F/S	100P 50V J COG 1.6X0.8 R/TP	
		C944	79097121	0CH4101K412	CHIP CAPA CERAMIC M/L T.C F/S	100P 50V J COG 1.6X0.8 R/TP	
		C945	AF000291	0CQ3921N449	CAPACITOR,FIXED FILM	3900PF D 100V 5% PP TP5	
		C946	AF000291	0CQ3921N449	CAPACITOR,FIXED FILM	3900PF D 100V 5% PP TP5	
		C960	AF000266	0CE1053K638	CAPACITOR,AL.ELECTROLYTIC	1.0M SRE/SE50V M FM5 TP(5)	
		C963	AF000266	0CE1053K638	CAPACITOR,AL.ELECTROLYTIC	1.0M SRE/SE50V M FM5 TP(5)	
		C964	79098702	0CE1054K638	CAPACITOR,ELECTROLYTIC	1.0M SRA/SS50V M FM5 TP(5)	
		C965	AF000266	0CE1053K638	CAPACITOR,AL.ELECTROLYTIC	1.0M SRE/SE50V M FM5 TP(5)	
		C966	79097108	0CE4764F638	CAPACITOR,ELECTROLYTIC	47M SRA/SS 16V M FM5 TP(5)	
		C967	79092014	0CH1104K942	CAPACITOR,CHIP[CERAMIC M/L HD	0.1UF 50V Z Y5V(F) 1508 R/TP	
		C968	79097106	0CE2264F638	CAPACITOR,FIXED ELECTROLYTIC	22UF SRA,SS 16V 20% FM5 TP 5	
		C969	79092014	0CH1104K942	CAPACITOR,CHIP[CERAMIC M/L HD	0.1UF 50V Z Y5V(F) 1508 R/TP	
		C970	AF000266	0CE1053K638	CAPACITOR,AL.ELECTROLYTIC	1.0M SRE/SE50V M FM5 TP(5)	
		CN201	AF000774	6630R-FB10W	CONNECTOR (CIRC),FFC/FPC	00-6232-023-006-800 ELCO 23PIN	
		CN202	AF000773	6630R-FB10K	CONNECTOR (CIRC),FFC/FPC	00-6232-011-006-800 ELCO 11P 1	
		CS501	AF000450	6600M000026	SWITCH,PUSH	MPU12970MLB0 VCR CST IN S/W MI	
		D114	79096008	0DR104009AB	DIODE,RECTIFIERS	RL104 R. TP GULF SEMICONDUCTOR	
		D117	79096008	0DR104009AB	DIODE,RECTIFIERS	RL104 R. TP GULF SEMICONDUCTOR	
		D118	79096008	0DR104009AB	DIODE,RECTIFIERS	RL104 R. TP GULF SEMICONDUCTOR	
		D119	79096008	0DR104009AB	DIODE,RECTIFIERS	RL104 R. TP GULF SEMICONDUCTOR	
		D121	79096305	0DD133009AA	DIODE,SWITCHING	1SS133 DETECT,SW TP	
		D122	79096008	0DR104009AB	DIODE,RECTIFIERS	RL104 R. TP GULF SEMICONDUCTOR	
		D301	79096305	0DD133009AA	DIODE,SWITCHING	1SS133 DETECT,SW TP	
		D401	79096310	0DSRM00118A	DIODE,SWITCHING	DAP202K T146 ROHM R/TP SMD 80V	
		D502	79096305	0DD133009AA	DIODE,SWITCHING	1SS133 DETECT,SW TP	
		D509	79096305	0DD133009AA	DIODE,SWITCHING	1SS133 DETECT,SW TP	
		D801	79096305	0DD133009AA	DIODE,SWITCHING	1SS133 DETECT,SW TP	
		D802	79096305	0DD133009AA	DIODE,SWITCHING	1SS133 DETECT,SW TP	
		D803	79096305	0DD133009AA	DIODE,SWITCHING	1SS133 DETECT,SW TP	
		ES501	AF000420	4931R-0085C	HOLDER ASSEMBLY	VCR DECK/MECHA END(S)	
		ES502	AF000420	4931R-0085C	HOLDER ASSEMBLY	VCR DECK/MECHA END(S)	
		IC151	AF000113	0IPMGJR007A	IC,POWER MANAGEMENT	NJM2396F08 JRC 4PIN TO-220 ST	
		IC151	79098753	0IPMGKE008B	IC,POWER MANAGEMENT	KIA78R08PI/API CU KEC 4P TO-22	
		IC151	AF000115	0IPMGSH009A	IC,POWER MANAGEMENT	PQ08RD1L SHARP 4PIN TO-220 ST	
		IC151	79098749	0IPMGFA016A	IC,POWER MANAGEMENT	KA78R08TSTU FAIRCHILD 4P TO-22	
		IC152	AF000160	0ISH313000C	IC,SHARP	PQ3RD13L 4PIN TO-220 ST 3.3V L	
		IC152	79098748	0IPMGFA015A	IC,POWER MANAGEMENT	KA78R33TSTU FAIRCHILD 4P TO-22	
		IC152	79098752	0IPMGKE006B	IC,POWER MANAGEMENT	KIA78R33PI CU KEC 4P TO-220IS	
		IC155	AF000710	0IPMGUC006A	IC,POWER MANAGEMENT	LD1117A-1.8V UTC TO252 R/TP 1.	
		IC201	AF000703	0ILNRIJ001B	IC,LINEAR	IP4504A INTERPION 28PIN,SSOPH-	
		IC301	79096583	0ILNRS A005B	IC,LINEAR	LA71750EM SANYO 100PIN QFP TRA	
		IC401	AF000303	0IPRPCI002B	IC,PERIPHERALS	CS4392-KZR CIRRUS LOGIC 20 TSS	
		IC402	79098737	0IJR458000B	IC,JRC	NJM4580M 8,DMP8 TP OP AMP 2K/R	
		IC402	AF000298	0ILNRUC001A	IC,LINEAR	MC4580 UTC 8PIN,SOP R/TP 2CH O	
		IC501	AF000705	0IMCRHI035B	IC,MICRO CONTROLLER	HD6432197SA42F 2ND HITACHI 112	
		IC503	79096319	0IAL241600B	IC,ATMEL	AT24C16 - - - -	
		IC503	AF000009	0ICS241600B	IC,CATALYST	CAT24WC16P 8P DIP ST 16K SERIA	
		IC503	79096320	0ICS241600B	IC,CATALYST	CAT24WC16P 8P DIP ST 16K SERIA	
		IC504	79096322	0IKE703100A	IC,KEC	KIA7031P 3P 3.1V RESET(TAPING)	
		IC504	AF000014	0ISS753100A	IC,SAMSUNG ELECTRONICS	KA7531Z TO-92 TP 3.1V RESET	
		IC505	79098739	0IKE704200B	IC,KEC	KIA7042P 3P 4.2V RESET(TAPING)	
		IC601	AF000704	0ILNRRF009A	IC,LINEAR	MT1389FE/B MEDIATEK INCORPORAT	
		IC602	AF000707	0IMMRHY040D	IC,MEMORIES	HY29DL163TT-70 HYNIX 48PIN,TSO	
		IC603	AF000264	0IMMRHY001E	IC,MEMORIES	HY57V641620HGT-7 HYUNDAI 54PIN	
		IC603	AF000706	0IMMRB004A	IC,MEMORIES	M12L64164A-7T ELITE MEMORY TEC	
		IC603A	AF000791	6957R-601BD	PROGRAM	DVD PROGRAM #2 ESGIPG TOSHIBA	

TOSHIBA MODEL : SD-34VLSL

NSP : Not available as service parts.
 RUN DATE : 28-JUNE-04

S	AL	LOCA. NO.	TOSHIBA P/NO	LG PART NO.	DESCRIPTION	SPECIFICATION	REMARKS
		IC606	79096693	0ISS240210A	IC,SAMSUNG ELECTRONICS	S524A40X21-SCT0 SOP8 TP EEPROM	
		IC607	79097140	0IFA742440F	IC,FAIRCHILD	MM74HCT244SJ 20P SOIC TP 3-STA	
		IC751	AF000010	0IIT341700C	IC,ITT	MSP3417G-QG-B8-V3 44 QFP TRAY	
		IC7V1	AF000294	0ILNRMN001B	IC,LINEAR	SDA5650X GEG MICRONAS 20PIN SO	
		IC801	79096579	0IPH960500A	IC,PHILIPS	TDA9605H QFP44 BK HIFI AMP+HIF	
		IC802	AF000117	0IPRPMT009A	IC,PERIPHERALS	MM1443XJBE MITSUMI 34PIN SSOP	
		IC901	79096577	0IPRPMT008A	IC,PERIPHERALS	MM1623XFBE MITSUMI 28PIN SOP R	
		J501	79093020	0RH0000C622	RESISTOR,METAL GLAZED(CHIP)	0 OHM 1 / 16 W 1608 5.00% D	
		J502	79093020	0RH0000C622	RESISTOR,METAL GLAZED(CHIP)	0 OHM 1 / 16 W 1608 5.00% D	
		J701	79093034	0RH1501C622	RESISTOR,METAL GLAZED(CHIP)	1.5K OHM 1 / 16 W 1608 5.00% D	
		J702	79093034	0RH1501C622	RESISTOR,METAL GLAZED(CHIP)	1.5K OHM 1 / 16 W 1608 5.00% D	
		J910	79093020	0RH0000C622	RESISTOR,METAL GLAZED(CHIP)	0 OHM 1 / 16 W 1608 5.00% D	
		J911	79093020	0RH0000C622	RESISTOR,METAL GLAZED(CHIP)	0 OHM 1 / 16 W 1608 5.00% D	
		JK902	AF000455	6612J00050C	JACK,RCA	RCA-910A-00-01 YUQIU 2004 COMB	
		JK903	AF000087	6612K00003B	JACK,FIBER OPTIC	PLT131/T5/12(12Mbps) EVERLIGHT	
		JK904	AF000453	6612B00011A	JACK,DIN	DIN405 YUQIU 2004 COMBI	
		L111	79091005	6200HJC102A	FILTER(CIRC),EMC	HB-1M2012-102JT CERATECH TP	
		L122	79091007	633-088G	COIL,CHOKE	22MH TOKO 5MM TP	
		L122	AF000433	6140R-C011A	COIL,RF	CHOKE COIL TDK 22UH(=633-088G	
		L123	79091007	633-088G	COIL,CHOKE	22MH TOKO 5MM TP	
		L123	AF000433	6140R-C011A	COIL,RF	CHOKE COIL TDK 22UH(=633-088G	
		L201	79096571	0LR0102J025	INDUCTOR,RADIAL LEAD	10UH 5% 4X5 TR5	
		L202	79091005	6200HJC102A	FILTER(CIRC),EMC	HB-1M2012-102JT CERATECH TP	
		L203	79096571	0LR0102J025	INDUCTOR,RADIAL LEAD	10UH 5% 4X5 TR5	
		L204	79091005	6200HJC102A	FILTER(CIRC),EMC	HB-1M2012-102JT CERATECH TP	
		L205	AF000015	0LCCE00004E	INDUCTOR,CHIP	FI-C2012-103KJT (10UH) CERATEC	
		L206	79091005	6200HJC102A	FILTER(CIRC),EMC	HB-1M2012-102JT CERATECH TP	
		L207	79091005	6200HJC102A	FILTER(CIRC),EMC	HB-1M2012-102JT CERATECH TP	
		L301	79096570	0LR0102J0N5	INDUCTOR,RADIAL LEAD	10UH 5% TP 3X5 TR5 -	
		L301	AF000016	0LR0102K0P5	INDUCTOR,RADIAL LEAD	LF7.5N OEL 10UH 10% TP 4.8X4.0	
		L301	AF000103	GLR0102K0P5	INDUCTOR,RADIAL LEAD	LF7.5N OEL 10UH 10% TP 4.8X4.0	
		L303	79096570	0LR0102J0N5	INDUCTOR,RADIAL LEAD	10UH 5% TP 3X5 TR5 -	
		L303	AF000103	GLR0102K0P5	INDUCTOR,RADIAL LEAD	LF7.5N OEL 10UH 10% TP 4.8X4.0	
		L303	AF000016	0LR0102K0P5	INDUCTOR,RADIAL LEAD	LF7.5N OEL 10UH 10% TP 4.8X4.0	
		L304	79096570	0LR0102J0N5	INDUCTOR,RADIAL LEAD	10UH 5% TP 3X5 TR5 -	
		L304	AF000103	GLR0102K0P5	INDUCTOR,RADIAL LEAD	LF7.5N OEL 10UH 10% TP 4.8X4.0	
		L304	AF000016	0LR0102K0P5	INDUCTOR,RADIAL LEAD	LF7.5N OEL 10UH 10% TP 4.8X4.0	
		L305	79098758	0LR1000K035	INDUCTOR RADIAL LEAD	100M K 6X6 L5 TP	
		L306	79098758	0LR1000K035	INDUCTOR RADIAL LEAD	100M K 6X6 L5 TP	
		L307	79096570	0LR0102J0N5	INDUCTOR,RADIAL LEAD	10UH 5% TP 3X5 TR5 -	
		L307	AF000016	0LR0102K0P5	INDUCTOR,RADIAL LEAD	LF7.5N OEL 10UH 10% TP 4.8X4.0	
		L307	AF000103	GLR0102K0P5	INDUCTOR,RADIAL LEAD	LF7.5N OEL 10UH 10% TP 4.8X4.0	
		L308	79098758	0LR1000K035	INDUCTOR RADIAL LEAD	100M K 6X6 L5 TP	
		L401	79091005	6200HJC102A	FILTER(CIRC),EMC	HB-1M2012-102JT CERATECH TP	
		L501	79096575	0LA0122K018	INDUCTOR AXIAL LEAD	12M K 2.3X3.4 L5 TP	
		L503	79096569	0LR1000J0N5	INDUCTOR,RADIAL LEAD	100UH 5% TP 3X5 TR5	
		L504	79096570	0LR0102J0N5	INDUCTOR,RADIAL LEAD	10UH 5% TP 3X5 TR5 -	
		L504	AF000016	0LR0102K0P5	INDUCTOR,RADIAL LEAD	LF7.5N OEL 10UH 10% TP 4.8X4.0	
		L505	79098758	0LR1000K035	INDUCTOR RADIAL LEAD	100M K 6X6 L5 TP	
		L506	AF000083	635-027C	INDUCTOR,RADIAL LEAD	EL0405RA SKI150G-3 K-TDK 15UH	
		L551	79096574	0LA0332K018	INDUCTOR AXIAL LEAD	33M K 2.3X3.4 L5 TP	
		L601	79091005	6200HJC102A	FILTER(CIRC),EMC	HB-1M2012-102JT CERATECH TP	
		L603	79091005	6200HJC102A	FILTER(CIRC),EMC	HB-1M2012-102JT CERATECH TP	
		L604	79091005	6200HJC102A	FILTER(CIRC),EMC	HB-1M2012-102JT CERATECH TP	
		L605	79091005	6200HJC102A	FILTER(CIRC),EMC	HB-1M2012-102JT CERATECH TP	
		L609	79091005	6200HJC102A	FILTER(CIRC),EMC	HB-1M2012-102JT CERATECH TP	
		L610	79091005	6200HJC102A	FILTER(CIRC),EMC	HB-1M2012-102JT CERATECH TP	
		L611	79091005	6200HJC102A	FILTER(CIRC),EMC	HB-1M2012-102JT CERATECH TP	
		L701	79098758	0LR1000K035	INDUCTOR RADIAL LEAD	100M K 6X6 L5 TP	
		L702	79096333	0LR0102K035	INDUCTOR RADIAL LEAD	10M K 6X6 L5 TP	
		L704	79096333	0LR0102K035	INDUCTOR RADIAL LEAD	10M K 6X6 L5 TP	
		L705	79096333	0LR0102K035	INDUCTOR RADIAL LEAD	10M K 6X6 L5 TP	
		L7V1	79098758	0LR1000K035	INDUCTOR RADIAL LEAD	100M K 6X6 L5 TP	
		L801	79098758	0LR1000K035	INDUCTOR RADIAL LEAD	100M K 6X6 L5 TP	
		L802	79098758	0LR1000K035	INDUCTOR RADIAL LEAD	100M K 6X6 L5 TP	
		L901	AF000015	0LCCE00004E	INDUCTOR,CHIP	FI-C2012-103KJT (10UH) CERATEC	
		L902	AF000015	0LCCE00004E	INDUCTOR,CHIP	FI-C2012-103KJT (10UH) CERATEC	
		L903	AF000015	0LCCE00004E	INDUCTOR,CHIP	FI-C2012-103KJT (10UH) CERATEC	
		L904	AF000015	0LCCE00004E	INDUCTOR,CHIP	FI-C2012-103KJT (10UH) CERATEC	
		L905	AF000015	0LCCE00004E	INDUCTOR,CHIP	FI-C2012-103KJT (10UH) CERATEC	
		L906	AF000015	0LCCE00004E	INDUCTOR,CHIP	FI-C2012-103KJT (10UH) CERATEC	
		L907	AF000015	0LCCE00004E	INDUCTOR,CHIP	FI-C2012-103KJT (10UH) CERATEC	
		L908	AF000015	0LCCE00004E	INDUCTOR,CHIP	FI-C2012-103KJT (10UH) CERATEC	
		L909	AF000015	0LCCE00004E	INDUCTOR,CHIP	FI-C2012-103KJT (10UH) CERATEC	
		L910	AF000015	0LCCE00004E	INDUCTOR,CHIP	FI-C2012-103KJT (10UH) CERATEC	

TOSHIBA MODEL : SD-34VLSL

NSP : Not available as service parts.
 RUN DATE : 28-JUNE-04

S	AL	LOCA. NO.	TOSHIBA P/NO	LG PART NO.	DESCRIPTION	SPECIFICATION	REMARKS
		L911	79096572	0LCCE00004L	INDUCTOR,CHIP	1UH , CHIP2012 CERATECH R/TP	
		L912	79096572	0LCCE00004L	INDUCTOR,CHIP	1UH , CHIP2012 CERATECH R/TP	
		L913	79096572	0LCCE00004L	INDUCTOR,CHIP	1UH , CHIP2012 CERATECH R/TP	
		L916	AF000015	0LCCE00004E	INDUCTOR,CHIP	FI-C2012-103KJT (10UH) CERATEC	
		L917	AF000015	0LCCE00004E	INDUCTOR,CHIP	FI-C2012-103KJT (10UH) CERATEC	
		L918	79096572	0LCCE00004L	INDUCTOR,CHIP	1UH , CHIP2012 CERATECH R/TP	
		L919	79096572	0LCCE00004L	INDUCTOR,CHIP	1UH , CHIP2012 CERATECH R/TP	
		L920	79091005	6200HJC102A	FILTER(CIRC),EMC	HB-1M2012-102JT CERATECH TP	
		L921	79091005	6200HJC102A	FILTER(CIRC),EMC	HB-1M2012-102JT CERATECH TP	
		L922	79091005	6200HJC102A	FILTER(CIRC),EMC	HB-1M2012-102JT CERATECH TP	
		LD501	AF000421	4931R-0089C	HOLDER ASSEMBLY	VCR DECK/MECHA END(S)	
		MS501	AF000448	6600JR3002D	SWITCH,MODE	SSS-51MD-3 SHINMEI 5VDC 1MA D3	
		MS501	AF000449	6600JR3002E	SWITCH,MODE	MMS01080ZMBO MIC 5VDC 1MA D37	
		P3D01	AF000754	561-234S	CONNECTOR (CIRC),FFC/FPC	GF120-9S-TS-A LG CABLE 9P 1.25	
		P3D02	AF000769	6630R5S008J	CONNECTOR(CIRC),DRAWING	06(11)FM22.2H-BTR-SH JST 6P 6.	
		P3D03	AF000755	561-251B	CONNECTOR(CIRC),DRAWING	GB201-2P-TS-B(LGC)	
		PM601	AF000762	561-843L	CONNECTOR(CIRC),DRAWING	TUC-P12P-B1,TAIKO	
		PM602	AF000760	561-843D	CONNECTOR(CIRC),DRAWING	TUC-P05P-B1 TAIKO 5P 2.0MM	
		PM603	AF000760	561-843D	CONNECTOR(CIRC),DRAWING	TUC-P05P-B1 TAIKO 5P 2.0MM	
		PMC01	AF000768	6630BK01612	CONNECTOR (CIRC),BOARD TO BOAR	JE612-A2T-12A JAE EUN 12P 2.0M	
		PMP01	AF000767	6630B60E908	CONNECTOR (CIRC),BOARD TO BOAR	JE117-D22T-08 JAE EUN 8P 2.54M	
		Q150	AF000328	0TRAU90024A	TRANSISTOR,BIPOLARS	STA353 AUK KOREA TP MPAK -40V	
		Q153	AF000327	0TR928009AD	TRANSISTOR	KSA928A-Y,TO-92L TP SAMSUNG TO	
		Q153	79095003	0TR127309AA	TRANSISTOR	KTA1273-TP-Y (KTA966A)KEC	
		Q153	AF000324	0TR127709AB	TRANSISTOR,BIPOLARS	AUK KOREA STB1277LY-AT TP TO-9	
		Q154	79095008	0TR387509AC	TRANSISTOR	CHIP KTC3875S-GR-T1(ALG) KEC	
		Q156	79096378	0TR534409AA	TRANSISTOR	2SC5344Y TP	
		Q161	79097532	0TR126809BA	TRANSISTOR,BIPOLARS	KTA1268-BL TP KEC	
		Q162	79095008	0TR387509AC	TRANSISTOR	CHIP KTC3875S-GR-T1(ALG) KEC	
		Q163	AF000327	0TR928009AD	TRANSISTOR	KSA928A-Y,TO-92L TP SAMSUNG TO	
		Q163	AF000324	0TR127709AB	TRANSISTOR,BIPOLARS	AUK KOREA STB1277LY-AT TP TO-9	
		Q163	79095003	0TR127309AA	TRANSISTOR	KTA1273-TP-Y (KTA966A)KEC	
		Q164	79095008	0TR387509AC	TRANSISTOR	CHIP KTC3875S-GR-T1(ALG) KEC	
		Q173	79095008	0TR387509AC	TRANSISTOR	CHIP KTC3875S-GR-T1(ALG) KEC	
		Q201	79095008	0TR387509AC	TRANSISTOR	CHIP KTC3875S-GR-T1(ALG) KEC	
		Q202	79096542	0TRRH80042A	TRANSISTOR,BIPOLARS	2SK3018 T106 ROHM KOREA R/TP U	
		Q203	79096542	0TRRH80042A	TRANSISTOR,BIPOLARS	2SK3018 T106 ROHM KOREA R/TP U	
		Q204	79095002	0TR103709BB	TRANSISTOR,BIPOLARS	2SA1037K-Q CHIP TP ROHM - -	
		Q205	79095002	0TR103709BB	TRANSISTOR,BIPOLARS	2SA1037K-Q CHIP TP ROHM - -	
		Q301	79095008	0TR387509AC	TRANSISTOR	CHIP KTC3875S-GR-T1(ALG) KEC	
		Q302	79095005	0TR150409AC	TRANSISTOR	KTA1504-GR-T1(ASG) CHIP KEC	
		Q303	79095008	0TR387509AC	TRANSISTOR	CHIP KTC3875S-GR-T1(ALG) KEC	
		Q304	79095008	0TR387509AC	TRANSISTOR	CHIP KTC3875S-GR-T1(ALG) KEC	
		Q305	79095005	0TR150409AC	TRANSISTOR	KTA1504-GR-T1(ASG) CHIP KEC	
		Q306	79096378	0TR534409AA	TRANSISTOR	2SC5344Y TP	
		Q306	79096543	0TR320309AA	TRANSISTOR,BIPOLARS	KTC3203 KEC TP TO92 50V 150MA	
		Q309	79095005	0TR150409AC	TRANSISTOR	KTA1504-GR-T1(ASG) CHIP KEC	
		Q311	AF000326	0TR319909AA	TRANSISTOR	KTC3199-GR (2SC3199) TP KEC TO	
		Q401	79095002	0TR103709BB	TRANSISTOR,BIPOLARS	2SA1037K-Q CHIP TP ROHM - -	
		Q404	79096031	0TR103009AC	TRANSISTOR	KRA103S-T1(PC)22-22 CHIP KEC	
		Q405	79096031	0TR103009AC	TRANSISTOR	KRA103S-T1(PC)22-22 CHIP KEC	
		Q501	79095008	0TR387509AC	TRANSISTOR	CHIP KTC3875S-GR-T1(ALG) KEC	
		Q502	79095008	0TR387509AC	TRANSISTOR	CHIP KTC3875S-GR-T1(ALG) KEC	
		Q503	AF000327	0TR928009AD	TRANSISTOR	KSA928A-Y,TO-92L TP SAMSUNG TO	
		Q503	79095003	0TR127309AA	TRANSISTOR	KTA1273-TP-Y (KTA966A)KEC	
		Q503	AF000324	0TR127709AB	TRANSISTOR,BIPOLARS	AUK KOREA STB1277LY-AT TP TO-9	
		Q504	79095008	0TR387509AC	TRANSISTOR	CHIP KTC3875S-GR-T1(ALG) KEC	
		Q514	79095001	0TR103009AA	TRANSISTOR	CHIP KRC103S-T1(NC)22-22 KEC	
		Q515	79095001	0TR103009AA	TRANSISTOR	CHIP KRC103S-T1(NC)22-22 KEC	
		Q5S1	79095008	0TR387509AC	TRANSISTOR	CHIP KTC3875S-GR-T1(ALG) KEC	
		Q801	79095008	0TR387509AC	TRANSISTOR	CHIP KTC3875S-GR-T1(ALG) KEC	
		Q802	79095008	0TR387509AC	TRANSISTOR	CHIP KTC3875S-GR-T1(ALG) KEC	
		Q803	79095008	0TR387509AC	TRANSISTOR	CHIP KTC3875S-GR-T1(ALG) KEC	
		Q902	79095008	0TR387509AC	TRANSISTOR	CHIP KTC3875S-GR-T1(ALG) KEC	
		Q903	79095008	0TR387509AC	TRANSISTOR	CHIP KTC3875S-GR-T1(ALG) KEC	
		Q905	79095008	0TR387509AC	TRANSISTOR	CHIP KTC3875S-GR-T1(ALG) KEC	
		R110	79093045	0RH4701C622	RESISTOR,METAL GLAZED(CHIP)	4.7K OHM 1 / 16 W 1608 5.00% D	
		R150	79093029	0RH1002C622	RESISTOR,METAL GLAZED(CHIP)	10K OHM 1 / 16 W 1608 5.00% D	
		R151	79093039	0RH2201C622	RESISTOR,METAL GLAZED(CHIP)	2.2K OHM 1 / 16 W 1608 5.00% D	
		R152	79093032	0RH1202C622	RESISTOR,METAL GLAZED(CHIP)	12K OHM 1 / 16 W 1608 5.00% D	
		R153	79093029	0RH1002C622	RESISTOR,METAL GLAZED(CHIP)	10K OHM 1 / 16 W 1608 5.00% D	
		R154	79098767	0RH1001C622	RESISTOR,METAL GLAZED(CHIP)	1K OHM 1 / 16 W 1608 5.00% D	
		R155	79093043	0RH3902C622	RESISTOR,METAL GLAZED(CHIP)	39K OHM 1 / 16 W 1608 5.00% D	
		R156	79093029	0RH1002C622	RESISTOR,METAL GLAZED(CHIP)	10K OHM 1 / 16 W 1608 5.00% D	
		R157	79098767	0RH1001C622	RESISTOR,METAL GLAZED(CHIP)	1K OHM 1 / 16 W 1608 5.00% D	

TOSHIBA MODEL : SD-34VLSL

NSP : Not available as service parts.
 RUN DATE : 28-JUNE-04

S	AL	LOCA. NO.	TOSHIBA P/NO	LG PART NO.	DESCRIPTION	SPECIFICATION	REMARKS
		R158	79093044	0RH4700C622	RESISTOR,METAL GLAZED(CHIP)	470 OHM 1 / 16 W 1608 5.00% D	
		R159	79093044	0RH4700C622	RESISTOR,METAL GLAZED(CHIP)	470 OHM 1 / 16 W 1608 5.00% D	
		R160	79093044	0RH4700C622	RESISTOR,METAL GLAZED(CHIP)	470 OHM 1 / 16 W 1608 5.00% D	
		R161	79093020	0RH0000C622	RESISTOR,METAL GLAZED(CHIP)	0 OHM 1 / 16 W 1608 5.00% D	
		R162	79093020	0RH0000C622	RESISTOR,METAL GLAZED(CHIP)	0 OHM 1 / 16 W 1608 5.00% D	
		R163	79093020	0RH0000C622	RESISTOR,METAL GLAZED(CHIP)	0 OHM 1 / 16 W 1608 5.00% D	
		R164	79093045	0RH4701C622	RESISTOR,METAL GLAZED(CHIP)	4.7K OHM 1 / 16 W 1608 5.00% D	
		R170	79093029	0RH1002C622	RESISTOR,METAL GLAZED(CHIP)	10K OHM 1 / 16 W 1608 5.00% D	
		R172	79093045	0RH4701C622	RESISTOR,METAL GLAZED(CHIP)	4.7K OHM 1 / 16 W 1608 5.00% D	
		R173	79093041	0RH3300C622	RESISTOR,METAL GLAZED(CHIP)	330 OHM 1 / 16 W 1608 5.00% D	
		R174	79093045	0RH4701C622	RESISTOR,METAL GLAZED(CHIP)	4.7K OHM 1 / 16 W 1608 5.00% D	
		R175	79093045	0RH4701C622	RESISTOR,METAL GLAZED(CHIP)	4.7K OHM 1 / 16 W 1608 5.00% D	
		R176	79093041	0RH3300C622	RESISTOR,METAL GLAZED(CHIP)	330 OHM 1 / 16 W 1608 5.00% D	
		R177	79093043	0RH3902C622	RESISTOR,METAL GLAZED(CHIP)	39K OHM 1 / 16 W 1608 5.00% D	
		R181	79093032	0RH1202C622	RESISTOR,METAL GLAZED(CHIP)	12K OHM 1 / 16 W 1608 5.00% D	
		R182	79093032	0RH1202C622	RESISTOR,METAL GLAZED(CHIP)	12K OHM 1 / 16 W 1608 5.00% D	
		R201	79093029	0RH1002C622	RESISTOR,METAL GLAZED(CHIP)	10K OHM 1 / 16 W 1608 5.00% D	
		R202	79096030	0RH1003C622	RESISTOR,METAL GLAZED(CHIP)	100K OHM 1 / 16 W 1608 5.00% D	
		R203	79093029	0RH1002C622	RESISTOR,METAL GLAZED(CHIP)	10K OHM 1 / 16 W 1608 5.00% D	
		R204	79096030	0RH1003C622	RESISTOR,METAL GLAZED(CHIP)	100K OHM 1 / 16 W 1608 5.00% D	
		R205	79093020	0RH0000C622	RESISTOR,METAL GLAZED(CHIP)	0 OHM 1 / 16 W 1608 5.00% D	
		R206	79093020	0RH0000C622	RESISTOR,METAL GLAZED(CHIP)	0 OHM 1 / 16 W 1608 5.00% D	
		R207	79093020	0RH0000C622	RESISTOR,METAL GLAZED(CHIP)	0 OHM 1 / 16 W 1608 5.00% D	
		R208	79093020	0RH0000C622	RESISTOR,METAL GLAZED(CHIP)	0 OHM 1 / 16 W 1608 5.00% D	
		R209	79093020	0RH0000C622	RESISTOR,METAL GLAZED(CHIP)	0 OHM 1 / 16 W 1608 5.00% D	
		R210	79093020	0RH0000C622	RESISTOR,METAL GLAZED(CHIP)	0 OHM 1 / 16 W 1608 5.00% D	
		R211	79093020	0RH0000C622	RESISTOR,METAL GLAZED(CHIP)	0 OHM 1 / 16 W 1608 5.00% D	
		R212	79093029	0RH1002C622	RESISTOR,METAL GLAZED(CHIP)	10K OHM 1 / 16 W 1608 5.00% D	
		R213	79096208	0RH0331C622	RESISTOR,METAL GLAZED(CHIP)	3.3 OHM 1 / 16 W 1608 5.00% D	
		R214	79093024	0RH0471C622	RESISTOR,METAL GLAZED(CHIP)	4.7 OHM 1 / 16 W 1608 5.00% D	
		R215	79093020	0RH0000C622	RESISTOR,METAL GLAZED(CHIP)	0 OHM 1 / 16 W 1608 5.00% D	
		R216	79093020	0RH0000C622	RESISTOR,METAL GLAZED(CHIP)	0 OHM 1 / 16 W 1608 5.00% D	
		R217	79096547	0RJ7503C677	RESISTOR,METAL GLAZED(CHIP)	750K OHM 1/16 W 5% 1608 R/TP	
		R218	79096547	0RJ7503C677	RESISTOR,METAL GLAZED(CHIP)	750K OHM 1/16 W 5% 1608 R/TP	
		R219	79093020	0RH0000C622	RESISTOR,METAL GLAZED(CHIP)	0 OHM 1 / 16 W 1608 5.00% D	
		R220	79096553	0RH3903C622	RESISTOR,METAL GLAZED(CHIP)	390K OHM 1 / 16 W 1608 5.00% D	
		R221	79096553	0RH3903C622	RESISTOR,METAL GLAZED(CHIP)	390K OHM 1 / 16 W 1608 5.00% D	
		R222	AF000309	0RH0201D622	RESISTOR,METAL GLAZED(CHIP)	2 OHM 1 / 10 W 2012 5.00% D	
		R223	79093020	0RH0000C622	RESISTOR,METAL GLAZED(CHIP)	0 OHM 1 / 16 W 1608 5.00% D	
		R224	79093020	0RH0000C622	RESISTOR,METAL GLAZED(CHIP)	0 OHM 1 / 16 W 1608 5.00% D	
		R225	79093020	0RH0000C622	RESISTOR,METAL GLAZED(CHIP)	0 OHM 1 / 16 W 1608 5.00% D	
		R226	79093020	0RH0000C622	RESISTOR,METAL GLAZED(CHIP)	0 OHM 1 / 16 W 1608 5.00% D	
		R227	79093047	0RH5601C622	RESISTOR,METAL GLAZED(CHIP)	5.6K OHM 1 / 16 W 1608 5.00% D	
		R228	79093045	0RH4701C622	RESISTOR,METAL GLAZED(CHIP)	4.7K OHM 1 / 16 W 1608 5.00% D	
		R231	79096565	0RH0101C622	RESISTOR,METAL GLAZED(CHIP)	1 OHM 1 / 16 W 1608 5.00% D	
		R232	79096565	0RH0101C622	RESISTOR,METAL GLAZED(CHIP)	1 OHM 1 / 16 W 1608 5.00% D	
		R233	79096565	0RH0101C622	RESISTOR,METAL GLAZED(CHIP)	1 OHM 1 / 16 W 1608 5.00% D	
		R234	79096565	0RH0101C622	RESISTOR,METAL GLAZED(CHIP)	1 OHM 1 / 16 W 1608 5.00% D	
		R236	79093020	0RH0000C622	RESISTOR,METAL GLAZED(CHIP)	0 OHM 1 / 16 W 1608 5.00% D	
		R239	79093029	0RH1002C622	RESISTOR,METAL GLAZED(CHIP)	10K OHM 1 / 16 W 1608 5.00% D	
		R240	79098774	0RH5602C622	RESISTOR,METAL GLAZED(CHIP)	56K OHM 1 / 16 W 1608 5.00% D	
		R243	79093029	0RH1002C622	RESISTOR,METAL GLAZED(CHIP)	10K OHM 1 / 16 W 1608 5.00% D	
		R244	79093039	0RH2201C622	RESISTOR,METAL GLAZED(CHIP)	2.2K OHM 1 / 16 W 1608 5.00% D	
		R246	79093029	0RH1002C622	RESISTOR,METAL GLAZED(CHIP)	10K OHM 1 / 16 W 1608 5.00% D	
		R291	AF000309	0RH0201D622	RESISTOR,METAL GLAZED(CHIP)	2 OHM 1 / 10 W 2012 5.00% D	
		R301	79098774	0RH5602C622	RESISTOR,METAL GLAZED(CHIP)	56K OHM 1 / 16 W 1608 5.00% D	
		R302	79093029	0RH1002C622	RESISTOR,METAL GLAZED(CHIP)	10K OHM 1 / 16 W 1608 5.00% D	
		R303	79093037	0RH1802C622	RESISTOR,METAL GLAZED(CHIP)	18K OHM 1 / 16 W 1608 5.00% D	
		R304	79093029	0RH1002C622	RESISTOR,METAL GLAZED(CHIP)	10K OHM 1 / 16 W 1608 5.00% D	
		R305	79093029	0RH1002C622	RESISTOR,METAL GLAZED(CHIP)	10K OHM 1 / 16 W 1608 5.00% D	
		R306	79093029	0RH1002C622	RESISTOR,METAL GLAZED(CHIP)	10K OHM 1 / 16 W 1608 5.00% D	
		R307	79093039	0RH2201C622	RESISTOR,METAL GLAZED(CHIP)	2.2K OHM 1 / 16 W 1608 5.00% D	
		R308	79093045	0RH4701C622	RESISTOR,METAL GLAZED(CHIP)	4.7K OHM 1 / 16 W 1608 5.00% D	
		R309	79098767	0RH1001C622	RESISTOR,METAL GLAZED(CHIP)	1K OHM 1 / 16 W 1608 5.00% D	
		R310	79093045	0RH4701C622	RESISTOR,METAL GLAZED(CHIP)	4.7K OHM 1 / 16 W 1608 5.00% D	
		R311	79098767	0RH1001C622	RESISTOR,METAL GLAZED(CHIP)	1K OHM 1 / 16 W 1608 5.00% D	
		R312	AF000320	0RH6802C622	RESISTOR,METAL GLAZED(CHIP)	68K OHM 1 / 16 W 1608 5.00% D	
		R313	AF000312	0RH1800C622	RESISTOR,METAL GLAZED(CHIP)	180 OHM 1 / 16 W 1608 5.00% D	
		R314	79093029	0RH1002C622	RESISTOR,METAL GLAZED(CHIP)	10K OHM 1 / 16 W 1608 5.00% D	
		R315	79093027	0RH1000C622	RESISTOR,METAL GLAZED(CHIP)	100 OHM 1 / 16 W 1608 5.00% D	
		R316	79093027	0RH1000C622	RESISTOR,METAL GLAZED(CHIP)	100 OHM 1 / 16 W 1608 5.00% D	
		R317	79093047	0RH5601C622	RESISTOR,METAL GLAZED(CHIP)	5.6K OHM 1 / 16 W 1608 5.00% D	
		R318	79096361	0RH3901C622	RESISTOR,METAL GLAZED(CHIP)	3.9K OHM 1 / 16 W 1608 5.00% D	
		R318	79096216	0RH3901C622	RESISTOR,METAL GLAZED(CHIP)	3.9K OHM 1 / 16 W 1608 5.00% D	
		R319	79093046	0RH5600C622	RESISTOR,METAL GLAZED(CHIP)	560 OHM 1 / 16 W 1608 5.00% D	

TOSHIBA MODEL : SD-34VLSL

NSP : Not available as service parts.
 RUN DATE : 28-JUNE-04

S	AL	LOCA. NO.	TOSHIBA P/NO	LG PART NO.	DESCRIPTION	SPECIFICATION	REMARKS
		R320	AF000312	0RH1800C622	RESISTOR,METAL GLAZED(CHIP)	180 OHM 1 / 16 W 1608 5.00% D	
		R321	79093031	0RH1201C622	RESISTOR,METAL GLAZED(CHIP)	1.2K OHM 1 / 16 W 1608 5.00% D	
		R322	79096480	0RH8201C622	RESISTOR,METAL GLAZED(CHIP)	8.2K OHM 1 / 16 W 1608 5.00% D	
		R324	AF000317	0RH3303C622	RESISTOR,METAL GLAZED(CHIP)	330K OHM 1 / 16 W 1608 5.00% D	
		R325	79093031	0RH1201C622	RESISTOR,METAL GLAZED(CHIP)	1.2K OHM 1 / 16 W 1608 5.00% D	
		R326	79093032	0RH1202C622	RESISTOR,METAL GLAZED(CHIP)	12K OHM 1 / 16 W 1608 5.00% D	
		R327	79093047	0RH5601C622	RESISTOR,METAL GLAZED(CHIP)	5.6K OHM 1 / 16 W 1608 5.00% D	
		R328	AF000314	0RH2700C622	RESISTOR,METAL GLAZED(CHIP)	270 OHM 1 / 16 W 1608 5.00% D	
		R329	79093032	0RH1202C622	RESISTOR,METAL GLAZED(CHIP)	12K OHM 1 / 16 W 1608 5.00% D	
		R330	79093029	0RH1002C622	RESISTOR,METAL GLAZED(CHIP)	10K OHM 1 / 16 W 1608 5.00% D	
		R331	79093045	0RH4701C622	RESISTOR,METAL GLAZED(CHIP)	4.7K OHM 1 / 16 W 1608 5.00% D	
		R332	79098773	0RH4702C622	RESISTOR,METAL GLAZED(CHIP)	47K OHM 1 / 16 W 1608 5.00% D	
		R333	79096361	0RH3901C622	RESISTOR,METAL GLAZED(CHIP)	3.9K OHM 1 / 16 W 1608 5.00% D	
		R333	79096216	0RH3901C622	RESISTOR,METAL GLAZED(CHIP)	3.9K OHM 1 / 16 W 1608 5.00% D	
		R334	AF000315	0RH2701C622	RESISTOR,METAL GLAZED(CHIP)	2.7K OHM 1 / 16 W 1608 5.00% D	
		R335	79093050	0RH6801C622	RESISTOR,METAL GLAZED(CHIP)	6.8K OHM 1 / 16 W 1608 5.00% D	
		R336	79096030	0RH1003C622	RESISTOR,METAL GLAZED(CHIP)	100K OHM 1 / 16 W 1608 5.00% D	
		R337	79098770	0RH1801C622	RESISTOR,METAL GLAZED(CHIP)	1.8K OHM 1 / 16 W 1608 5.00% D	
		R338	AF000314	0RH2700C622	RESISTOR,METAL GLAZED(CHIP)	270 OHM 1 / 16 W 1608 5.00% D	
		R339	AF000314	0RH2700C622	RESISTOR,METAL GLAZED(CHIP)	270 OHM 1 / 16 W 1608 5.00% D	
		R340	79093037	0RH1802C622	RESISTOR,METAL GLAZED(CHIP)	18K OHM 1 / 16 W 1608 5.00% D	
		R342	79098767	0RH1001C622	RESISTOR,METAL GLAZED(CHIP)	1K OHM 1 / 16 W 1608 5.00% D	
		R343	79098767	0RH1001C622	RESISTOR,METAL GLAZED(CHIP)	1K OHM 1 / 16 W 1608 5.00% D	
		R345	79093031	0RH1201C622	RESISTOR,METAL GLAZED(CHIP)	1.2K OHM 1 / 16 W 1608 5.00% D	
		R346	79093020	0RH0000C622	RESISTOR,METAL GLAZED(CHIP)	0 OHM 1 / 16 W 1608 5.00% D	
		R347	79098767	0RH1001C622	RESISTOR,METAL GLAZED(CHIP)	1K OHM 1 / 16 W 1608 5.00% D	
		R348	AF000311	0RH1504C622	RESISTOR,METAL GLAZED(CHIP)	1.5M OHM 1 / 16 W 1608 5.00% D	
		R349	79098770	0RH1801C622	RESISTOR,METAL GLAZED(CHIP)	1.8K OHM 1 / 16 W 1608 5.00% D	
		R350	79093029	0RH1002C622	RESISTOR,METAL GLAZED(CHIP)	10K OHM 1 / 16 W 1608 5.00% D	
		R351	AF000322	0RH8203C622	RESISTOR,METAL GLAZED(CHIP)	820K OHM 1 / 16 W 1608 5.00% D	
		R352	79093041	0RH3300C622	RESISTOR,METAL GLAZED(CHIP)	330 OHM 1 / 16 W 1608 5.00% D	
		R353	79093041	0RH3300C622	RESISTOR,METAL GLAZED(CHIP)	330 OHM 1 / 16 W 1608 5.00% D	
		R356	79098767	0RH1001C622	RESISTOR,METAL GLAZED(CHIP)	1K OHM 1 / 16 W 1608 5.00% D	
		R365	79093031	0RH1201C622	RESISTOR,METAL GLAZED(CHIP)	1.2K OHM 1 / 16 W 1608 5.00% D	
		R366	79093020	0RH0000C622	RESISTOR,METAL GLAZED(CHIP)	0 OHM 1 / 16 W 1608 5.00% D	
		R367	79093020	0RH0000C622	RESISTOR,METAL GLAZED(CHIP)	0 OHM 1 / 16 W 1608 5.00% D	
		R368	79098767	0RH1001C622	RESISTOR,METAL GLAZED(CHIP)	1K OHM 1 / 16 W 1608 5.00% D	
		R375	79093031	0RH1201C622	RESISTOR,METAL GLAZED(CHIP)	1.2K OHM 1 / 16 W 1608 5.00% D	
		R401	79098767	0RH1001C622	RESISTOR,METAL GLAZED(CHIP)	1K OHM 1 / 16 W 1608 5.00% D	
		R402	79093020	0RH0000C622	RESISTOR,METAL GLAZED(CHIP)	0 OHM 1 / 16 W 1608 5.00% D	
		R403	79093020	0RH0000C622	RESISTOR,METAL GLAZED(CHIP)	0 OHM 1 / 16 W 1608 5.00% D	
		R404	79093020	0RH0000C622	RESISTOR,METAL GLAZED(CHIP)	0 OHM 1 / 16 W 1608 5.00% D	
		R405	79093020	0RH0000C622	RESISTOR,METAL GLAZED(CHIP)	0 OHM 1 / 16 W 1608 5.00% D	
		R407	79093047	0RH5601C622	RESISTOR,METAL GLAZED(CHIP)	5.6K OHM 1 / 16 W 1608 5.00% D	
		R408	79093050	0RH6801C622	RESISTOR,METAL GLAZED(CHIP)	6.8K OHM 1 / 16 W 1608 5.00% D	
		R409	79093050	0RH6801C622	RESISTOR,METAL GLAZED(CHIP)	6.8K OHM 1 / 16 W 1608 5.00% D	
		R410	79093050	0RH6801C622	RESISTOR,METAL GLAZED(CHIP)	6.8K OHM 1 / 16 W 1608 5.00% D	
		R411	79093050	0RH6801C622	RESISTOR,METAL GLAZED(CHIP)	6.8K OHM 1 / 16 W 1608 5.00% D	
		R412	79096480	0RH8201C622	RESISTOR,METAL GLAZED(CHIP)	8.2K OHM 1 / 16 W 1608 5.00% D	
		R413	79098770	0RH1801C622	RESISTOR,METAL GLAZED(CHIP)	1.8K OHM 1 / 16 W 1608 5.00% D	
		R414	79098770	0RH1801C622	RESISTOR,METAL GLAZED(CHIP)	1.8K OHM 1 / 16 W 1608 5.00% D	
		R415	79096480	0RH8201C622	RESISTOR,METAL GLAZED(CHIP)	8.2K OHM 1 / 16 W 1608 5.00% D	
		R416	79098770	0RH1801C622	RESISTOR,METAL GLAZED(CHIP)	1.8K OHM 1 / 16 W 1608 5.00% D	
		R417	79093045	0RH4701C622	RESISTOR,METAL GLAZED(CHIP)	4.7K OHM 1 / 16 W 1608 5.00% D	
		R418	79096480	0RH8201C622	RESISTOR,METAL GLAZED(CHIP)	8.2K OHM 1 / 16 W 1608 5.00% D	
		R419	79096480	0RH8201C622	RESISTOR,METAL GLAZED(CHIP)	8.2K OHM 1 / 16 W 1608 5.00% D	
		R420	79098770	0RH1801C622	RESISTOR,METAL GLAZED(CHIP)	1.8K OHM 1 / 16 W 1608 5.00% D	
		R421	79093041	0RH3300C622	RESISTOR,METAL GLAZED(CHIP)	330 OHM 1 / 16 W 1608 5.00% D	
		R422	79093041	0RH3300C622	RESISTOR,METAL GLAZED(CHIP)	330 OHM 1 / 16 W 1608 5.00% D	
		R423	79098767	0RH1001C622	RESISTOR,METAL GLAZED(CHIP)	1K OHM 1 / 16 W 1608 5.00% D	
		R424	79098767	0RH1001C622	RESISTOR,METAL GLAZED(CHIP)	1K OHM 1 / 16 W 1608 5.00% D	
		R425	79098767	0RH1001C622	RESISTOR,METAL GLAZED(CHIP)	1K OHM 1 / 16 W 1608 5.00% D	
		R426	79098767	0RH1001C622	RESISTOR,METAL GLAZED(CHIP)	1K OHM 1 / 16 W 1608 5.00% D	
		R427	79098767	0RH1001C622	RESISTOR,METAL GLAZED(CHIP)	1K OHM 1 / 16 W 1608 5.00% D	
		R501	79093027	0RH1000C622	RESISTOR,METAL GLAZED(CHIP)	100 OHM 1 / 16 W 1608 5.00% D	
		R502	79093027	0RH1000C622	RESISTOR,METAL GLAZED(CHIP)	100 OHM 1 / 16 W 1608 5.00% D	
		R503	79093045	0RH4701C622	RESISTOR,METAL GLAZED(CHIP)	4.7K OHM 1 / 16 W 1608 5.00% D	
		R504	79098767	0RH1001C622	RESISTOR,METAL GLAZED(CHIP)	1K OHM 1 / 16 W 1608 5.00% D	
		R505	79098767	0RH1001C622	RESISTOR,METAL GLAZED(CHIP)	1K OHM 1 / 16 W 1608 5.00% D	
		R506	79093020	0RH0000C622	RESISTOR,METAL GLAZED(CHIP)	0 OHM 1 / 16 W 1608 5.00% D	
		R508	79093042	0RH3301C622	RESISTOR,METAL GLAZED(CHIP)	3.3K OHM 1 / 16 W 1608 5.00% D	
		R509	79098770	0RH1801C622	RESISTOR,METAL GLAZED(CHIP)	1.8K OHM 1 / 16 W 1608 5.00% D	
		R510	79093039	0RH2201C622	RESISTOR,METAL GLAZED(CHIP)	2.2K OHM 1 / 16 W 1608 5.00% D	
		R511	79098767	0RH1001C622	RESISTOR,METAL GLAZED(CHIP)	1K OHM 1 / 16 W 1608 5.00% D	
		R512	79098767	0RH1001C622	RESISTOR,METAL GLAZED(CHIP)	1K OHM 1 / 16 W 1608 5.00% D	

TOSHIBA MODEL : SD-34VLSL

NSP : Not available as service parts.
 RUN DATE : 28-JUNE-04

S	AL	LOCA. NO.	TOSHIBA P/NO	LG PART NO.	DESCRIPTION	SPECIFICATION	REMARKS
		R513	79098767	0RH1001C622	RESISTOR,METAL GLAZED(CHIP)	1K OHM 1 / 16 W 1608 5.00% D	
		R514	AF000310	0RH1203C622	RESISTOR,METAL GLAZED(CHIP)	120K OHM 1 / 16 W 1608 5.00% D	
		R515	AF000314	0RH2700C622	RESISTOR,METAL GLAZED(CHIP)	270 OHM 1 / 16 W 1608 5.00% D	
		R516	79096217	0RH4703C622	RESISTOR,METAL GLAZED(CHIP)	470K OHM 1 / 16 W 1608 5.00% D	
		R517	79093044	0RH4700C622	RESISTOR,METAL GLAZED(CHIP)	470 OHM 1 / 16 W 1608 5.00% D	
		R518	79098767	0RH1001C622	RESISTOR,METAL GLAZED(CHIP)	1K OHM 1 / 16 W 1608 5.00% D	
		R519	79093045	0RH4701C622	RESISTOR,METAL GLAZED(CHIP)	4.7K OHM 1 / 16 W 1608 5.00% D	
		R520	79096361	0RH3901C622	RESISTOR,METAL GLAZED(CHIP)	3.9K OHM 1 / 16 W 1608 5.00% D	
		R520	79096216	0RH3901C622	RESISTOR,METAL GLAZED(CHIP)	3.9K OHM 1 / 16 W 1608 5.00% D	
		R521	79093045	0RH4701C622	RESISTOR,METAL GLAZED(CHIP)	4.7K OHM 1 / 16 W 1608 5.00% D	
		R522	79098767	0RH1001C622	RESISTOR,METAL GLAZED(CHIP)	1K OHM 1 / 16 W 1608 5.00% D	
		R523	79093029	0RH1002C622	RESISTOR,METAL GLAZED(CHIP)	10K OHM 1 / 16 W 1608 5.00% D	
		R524	79093023	0RH0222C622	RESISTOR,METAL GLAZED(CHIP)	22 OHM 1 / 16 W 1608 5.00% D	
		R525	79093047	0RH5601C622	RESISTOR,METAL GLAZED(CHIP)	5.6K OHM 1 / 16 W 1608 5.00% D	
		R526	79093047	0RH5601C622	RESISTOR,METAL GLAZED(CHIP)	5.6K OHM 1 / 16 W 1608 5.00% D	
		R527	79098767	0RH1001C622	RESISTOR,METAL GLAZED(CHIP)	1K OHM 1 / 16 W 1608 5.00% D	
		R528	79093045	0RH4701C622	RESISTOR,METAL GLAZED(CHIP)	4.7K OHM 1 / 16 W 1608 5.00% D	
		R529	79093029	0RH1002C622	RESISTOR,METAL GLAZED(CHIP)	10K OHM 1 / 16 W 1608 5.00% D	
		R530	79093045	0RH4701C622	RESISTOR,METAL GLAZED(CHIP)	4.7K OHM 1 / 16 W 1608 5.00% D	
		R531	79093029	0RH1002C622	RESISTOR,METAL GLAZED(CHIP)	10K OHM 1 / 16 W 1608 5.00% D	
		R535	79096217	0RH4703C622	RESISTOR,METAL GLAZED(CHIP)	470K OHM 1 / 16 W 1608 5.00% D	
		R536	79093020	0RH0000C622	RESISTOR,METAL GLAZED(CHIP)	0 OHM 1 / 16 W 1608 5.00% D	
		R537	79098767	0RH1001C622	RESISTOR,METAL GLAZED(CHIP)	1K OHM 1 / 16 W 1608 5.00% D	
		R538	79098767	0RH1001C622	RESISTOR,METAL GLAZED(CHIP)	1K OHM 1 / 16 W 1608 5.00% D	
		R539	79098767	0RH1001C622	RESISTOR,METAL GLAZED(CHIP)	1K OHM 1 / 16 W 1608 5.00% D	
		R542	79093039	0RH2201C622	RESISTOR,METAL GLAZED(CHIP)	2.2K OHM 1 / 16 W 1608 5.00% D	
		R543	79093027	0RH1000C622	RESISTOR,METAL GLAZED(CHIP)	100 OHM 1 / 16 W 1608 5.00% D	
		R544	79093045	0RH4701C622	RESISTOR,METAL GLAZED(CHIP)	4.7K OHM 1 / 16 W 1608 5.00% D	
		R545	79093020	0RH0000C622	RESISTOR,METAL GLAZED(CHIP)	0 OHM 1 / 16 W 1608 5.00% D	
		R546	79093047	0RH5601C622	RESISTOR,METAL GLAZED(CHIP)	5.6K OHM 1 / 16 W 1608 5.00% D	
		R547	79093032	0RH1202C622	RESISTOR,METAL GLAZED(CHIP)	12K OHM 1 / 16 W 1608 5.00% D	
		R548	79096030	0RH1003C622	RESISTOR,METAL GLAZED(CHIP)	100K OHM 1 / 16 W 1608 5.00% D	
		R550	79098771	0RH2200C622	RESISTOR,METAL GLAZED(CHIP)	220 OHM 1 / 16 W 1608 5.00% D	
		R553	79098771	0RH2200C622	RESISTOR,METAL GLAZED(CHIP)	220 OHM 1 / 16 W 1608 5.00% D	
		R555	79098771	0RH2200C622	RESISTOR,METAL GLAZED(CHIP)	220 OHM 1 / 16 W 1608 5.00% D	
		R556	79093040	0RH2202C622	RESISTOR,METAL GLAZED(CHIP)	22K OHM 1 / 16 W 1608 5.00% D	
		R557	79096557	0RH2702C622	RESISTOR,METAL GLAZED(CHIP)	27K OHM 1 / 16 W 1608 5.00% D	
		R558	79093040	0RH2202C622	RESISTOR,METAL GLAZED(CHIP)	22K OHM 1 / 16 W 1608 5.00% D	
		R559	79093045	0RH4701C622	RESISTOR,METAL GLAZED(CHIP)	4.7K OHM 1 / 16 W 1608 5.00% D	
		R560	79093045	0RH4701C622	RESISTOR,METAL GLAZED(CHIP)	4.7K OHM 1 / 16 W 1608 5.00% D	
		R561	79093046	0RH5600C622	RESISTOR,METAL GLAZED(CHIP)	560 OHM 1 / 16 W 1608 5.00% D	
		R562	79093046	0RH5600C622	RESISTOR,METAL GLAZED(CHIP)	560 OHM 1 / 16 W 1608 5.00% D	
		R563	79093047	0RH5601C622	RESISTOR,METAL GLAZED(CHIP)	5.6K OHM 1 / 16 W 1608 5.00% D	
		R564	79096557	0RH2702C622	RESISTOR,METAL GLAZED(CHIP)	27K OHM 1 / 16 W 1608 5.00% D	
		R566	79093045	0RH4701C622	RESISTOR,METAL GLAZED(CHIP)	4.7K OHM 1 / 16 W 1608 5.00% D	
		R567	79093029	0RH1002C622	RESISTOR,METAL GLAZED(CHIP)	10K OHM 1 / 16 W 1608 5.00% D	
		R568	AF000320	0RH6802C622	RESISTOR,METAL GLAZED(CHIP)	68K OHM 1 / 16 W 1608 5.00% D	
		R569	79093030	0RH1004C622	RESISTOR,METAL GLAZED(CHIP)	1M OHM 1 / 16 W 1608 5.00% D	
		R570	79093045	0RH4701C622	RESISTOR,METAL GLAZED(CHIP)	4.7K OHM 1 / 16 W 1608 5.00% D	
		R575	79093045	0RH4701C622	RESISTOR,METAL GLAZED(CHIP)	4.7K OHM 1 / 16 W 1608 5.00% D	
		R576	79093045	0RH4701C622	RESISTOR,METAL GLAZED(CHIP)	4.7K OHM 1 / 16 W 1608 5.00% D	
		R577	79093045	0RH4701C622	RESISTOR,METAL GLAZED(CHIP)	4.7K OHM 1 / 16 W 1608 5.00% D	
		R578	79093045	0RH4701C622	RESISTOR,METAL GLAZED(CHIP)	4.7K OHM 1 / 16 W 1608 5.00% D	
		R579	79098774	0RH5602C622	RESISTOR,METAL GLAZED(CHIP)	56K OHM 1 / 16 W 1608 5.00% D	
		R582	79093027	0RH1000C622	RESISTOR,METAL GLAZED(CHIP)	100 OHM 1 / 16 W 1608 5.00% D	
		R583	79093029	0RH1002C622	RESISTOR,METAL GLAZED(CHIP)	10K OHM 1 / 16 W 1608 5.00% D	
		R589	79093030	0RH1004C622	RESISTOR,METAL GLAZED(CHIP)	1M OHM 1 / 16 W 1608 5.00% D	
		R591	79096030	0RH1003C622	RESISTOR,METAL GLAZED(CHIP)	100K OHM 1 / 16 W 1608 5.00% D	
		R5A2	79093029	0RH1002C622	RESISTOR,METAL GLAZED(CHIP)	10K OHM 1 / 16 W 1608 5.00% D	
		R5A3	79093029	0RH1002C622	RESISTOR,METAL GLAZED(CHIP)	10K OHM 1 / 16 W 1608 5.00% D	
		R5A5	79096217	0RH4703C622	RESISTOR,METAL GLAZED(CHIP)	470K OHM 1 / 16 W 1608 5.00% D	
		R5B3	79098767	0RH1001C622	RESISTOR,METAL GLAZED(CHIP)	1K OHM 1 / 16 W 1608 5.00% D	
		R5B4	79098767	0RH1001C622	RESISTOR,METAL GLAZED(CHIP)	1K OHM 1 / 16 W 1608 5.00% D	
		R5B5	79093027	0RH1000C622	RESISTOR,METAL GLAZED(CHIP)	100 OHM 1 / 16 W 1608 5.00% D	
		R5C1	79098767	0RH1001C622	RESISTOR,METAL GLAZED(CHIP)	1K OHM 1 / 16 W 1608 5.00% D	
		R5C5	79098767	0RH1001C622	RESISTOR,METAL GLAZED(CHIP)	1K OHM 1 / 16 W 1608 5.00% D	
		R5C6	79098767	0RH1001C622	RESISTOR,METAL GLAZED(CHIP)	1K OHM 1 / 16 W 1608 5.00% D	
		R5C7	79098767	0RH1001C622	RESISTOR,METAL GLAZED(CHIP)	1K OHM 1 / 16 W 1608 5.00% D	
		R5C9	79093029	0RH1002C622	RESISTOR,METAL GLAZED(CHIP)	10K OHM 1 / 16 W 1608 5.00% D	
		R5G1	79093020	0RH0000C622	RESISTOR,METAL GLAZED(CHIP)	0 OHM 1 / 16 W 1608 5.00% D	
		R5G2	79093020	0RH0000C622	RESISTOR,METAL GLAZED(CHIP)	0 OHM 1 / 16 W 1608 5.00% D	
		R5K6	79093027	0RH1000C622	RESISTOR,METAL GLAZED(CHIP)	100 OHM 1 / 16 W 1608 5.00% D	
		R5K7	79093027	0RH1000C622	RESISTOR,METAL GLAZED(CHIP)	100 OHM 1 / 16 W 1608 5.00% D	
		R5K8	79093027	0RH1000C622	RESISTOR,METAL GLAZED(CHIP)	100 OHM 1 / 16 W 1608 5.00% D	
		R5P2	79093029	0RH1002C622	RESISTOR,METAL GLAZED(CHIP)	10K OHM 1 / 16 W 1608 5.00% D	

TOSHIBA MODEL : SD-34VLSL

NSP : Not available as service parts.
 RUN DATE : 28-JUNE-04

S	AL	LOCA. NO.	TOSHIBA P/NO	LG PART NO.	DESCRIPTION	SPECIFICATION	REMARKS
		R5P3	79093029	0RH1002C622	RESISTOR,METAL GLAZED(CHIP)	10K OHM 1 / 16 W 1608 5.00% D	
		R5R8	79098767	0RH1001C622	RESISTOR,METAL GLAZED(CHIP)	1K OHM 1 / 16 W 1608 5.00% D	
		R5S1	79093047	0RH5601C622	RESISTOR,METAL GLAZED(CHIP)	5.6K OHM 1 / 16 W 1608 5.00% D	
		R5S2	79093041	0RH3300C622	RESISTOR,METAL GLAZED(CHIP)	330 OHM 1 / 16 W 1608 5.00% D	
		R604	79093040	0RH2202C622	RESISTOR,METAL GLAZED(CHIP)	22K OHM 1 / 16 W 1608 5.00% D	
		R605	79093040	0RH2202C622	RESISTOR,METAL GLAZED(CHIP)	22K OHM 1 / 16 W 1608 5.00% D	
		R606	79093050	0RH6801C622	RESISTOR,METAL GLAZED(CHIP)	6.8K OHM 1 / 16 W 1608 5.00% D	
		R607	79093040	0RH2202C622	RESISTOR,METAL GLAZED(CHIP)	22K OHM 1 / 16 W 1608 5.00% D	
		R608	79093050	0RH6801C622	RESISTOR,METAL GLAZED(CHIP)	6.8K OHM 1 / 16 W 1608 5.00% D	
		R609	79093029	0RH1002C622	RESISTOR,METAL GLAZED(CHIP)	10K OHM 1 / 16 W 1608 5.00% D	
		R610	AF000119	0RH0332C622	RESISTOR,METAL GLAZED(CHIP)	33 OHM 1 / 16 W 1608 5.00% D	
		R610	79096209	0RH0332C622	RESISTOR,METAL GLAZED(CHIP)	33 OHM 1 / 16 W 1608 5.00% D	
		R611	79098767	0RH1001C622	RESISTOR,METAL GLAZED(CHIP)	1K OHM 1 / 16 W 1608 5.00% D	
		R612	AF000119	0RH0332C622	RESISTOR,METAL GLAZED(CHIP)	33 OHM 1 / 16 W 1608 5.00% D	
		R612	79096209	0RH0332C622	RESISTOR,METAL GLAZED(CHIP)	33 OHM 1 / 16 W 1608 5.00% D	
		R613	AF000119	0RH0332C622	RESISTOR,METAL GLAZED(CHIP)	33 OHM 1 / 16 W 1608 5.00% D	
		R613	79096209	0RH0332C622	RESISTOR,METAL GLAZED(CHIP)	33 OHM 1 / 16 W 1608 5.00% D	
		R614	AF000119	0RH0332C622	RESISTOR,METAL GLAZED(CHIP)	33 OHM 1 / 16 W 1608 5.00% D	
		R614	79096209	0RH0332C622	RESISTOR,METAL GLAZED(CHIP)	33 OHM 1 / 16 W 1608 5.00% D	
		R615	AF000119	0RH0332C622	RESISTOR,METAL GLAZED(CHIP)	33 OHM 1 / 16 W 1608 5.00% D	
		R615	79096209	0RH0332C622	RESISTOR,METAL GLAZED(CHIP)	33 OHM 1 / 16 W 1608 5.00% D	
		R616	AF000119	0RH0332C622	RESISTOR,METAL GLAZED(CHIP)	33 OHM 1 / 16 W 1608 5.00% D	
		R616	79096209	0RH0332C622	RESISTOR,METAL GLAZED(CHIP)	33 OHM 1 / 16 W 1608 5.00% D	
		R617	AF000119	0RH0332C622	RESISTOR,METAL GLAZED(CHIP)	33 OHM 1 / 16 W 1608 5.00% D	
		R617	79096209	0RH0332C622	RESISTOR,METAL GLAZED(CHIP)	33 OHM 1 / 16 W 1608 5.00% D	
		R620	AF000119	0RH0332C622	RESISTOR,METAL GLAZED(CHIP)	33 OHM 1 / 16 W 1608 5.00% D	
		R620	79096209	0RH0332C622	RESISTOR,METAL GLAZED(CHIP)	33 OHM 1 / 16 W 1608 5.00% D	
		R621	AF000119	0RH0332C622	RESISTOR,METAL GLAZED(CHIP)	33 OHM 1 / 16 W 1608 5.00% D	
		R621	79096209	0RH0332C622	RESISTOR,METAL GLAZED(CHIP)	33 OHM 1 / 16 W 1608 5.00% D	
		R622	79093020	0RH0000C622	RESISTOR,METAL GLAZED(CHIP)	0 OHM 1 / 16 W 1608 5.00% D	
		R624	79093020	0RH0000C622	RESISTOR,METAL GLAZED(CHIP)	0 OHM 1 / 16 W 1608 5.00% D	
		R625	AF000714	0RH0681C622	RESISTOR,METAL GLAZED(CHIP)	6.8 OHM 1 / 16 W 1608 5.00% D	
		R626	79096030	0RH1003C622	RESISTOR,METAL GLAZED(CHIP)	100K OHM 1 / 16 W 1608 5.00% D	
		R627	79093035	0RH1502C622	RESISTOR,METAL GLAZED(CHIP)	15K OHM 1 / 16 W 1608 5.00% D	
		R628	79093029	0RH1002C622	RESISTOR,METAL GLAZED(CHIP)	10K OHM 1 / 16 W 1608 5.00% D	
		R629	79093020	0RH0000C622	RESISTOR,METAL GLAZED(CHIP)	0 OHM 1 / 16 W 1608 5.00% D	
		R630	79093020	0RH0000C622	RESISTOR,METAL GLAZED(CHIP)	0 OHM 1 / 16 W 1608 5.00% D	
		R631	79098767	0RH1001C622	RESISTOR,METAL GLAZED(CHIP)	1K OHM 1 / 16 W 1608 5.00% D	
		R632	79098767	0RH1001C622	RESISTOR,METAL GLAZED(CHIP)	1K OHM 1 / 16 W 1608 5.00% D	
		R649	79093020	0RH0000C622	RESISTOR,METAL GLAZED(CHIP)	0 OHM 1 / 16 W 1608 5.00% D	
		R656	79093031	0RH1201C622	RESISTOR,METAL GLAZED(CHIP)	1.2K OHM 1 / 16 W 1608 5.00% D	
		R657	79093031	0RH1201C622	RESISTOR,METAL GLAZED(CHIP)	1.2K OHM 1 / 16 W 1608 5.00% D	
		R658	79093031	0RH1201C622	RESISTOR,METAL GLAZED(CHIP)	1.2K OHM 1 / 16 W 1608 5.00% D	
		R659	79093031	0RH1201C622	RESISTOR,METAL GLAZED(CHIP)	1.2K OHM 1 / 16 W 1608 5.00% D	
		R666	79096030	0RH1003C622	RESISTOR,METAL GLAZED(CHIP)	100K OHM 1 / 16 W 1608 5.00% D	
		R671	79096547	0RJ7503C677	RESISTOR,METAL GLAZED(CHIP)	750K OHM 1/16 W 5% 1608 R/TP	
		R683	79093045	0RH4701C622	RESISTOR,METAL GLAZED(CHIP)	4.7K OHM 1 / 16 W 1608 5.00% D	
		R684	79093045	0RH4701C622	RESISTOR,METAL GLAZED(CHIP)	4.7K OHM 1 / 16 W 1608 5.00% D	
		R685	79093045	0RH4701C622	RESISTOR,METAL GLAZED(CHIP)	4.7K OHM 1 / 16 W 1608 5.00% D	
		R6D1	79093029	0RH1002C622	RESISTOR,METAL GLAZED(CHIP)	10K OHM 1 / 16 W 1608 5.00% D	
		R6D2	79093029	0RH1002C622	RESISTOR,METAL GLAZED(CHIP)	10K OHM 1 / 16 W 1608 5.00% D	
		R6H4	79093038	0RH2001C622	RESISTOR,METAL GLAZED(CHIP)	2K OHM 1 / 16 W 1608 5.00% D	
		R6H8	79093020	0RH0000C622	RESISTOR,METAL GLAZED(CHIP)	0 OHM 1 / 16 W 1608 5.00% D	
		R705	79098771	0RH2200C622	RESISTOR,METAL GLAZED(CHIP)	220 OHM 1 / 16 W 1608 5.00% D	
		R706	79098771	0RH2200C622	RESISTOR,METAL GLAZED(CHIP)	220 OHM 1 / 16 W 1608 5.00% D	
		R707	79098767	0RH1001C622	RESISTOR,METAL GLAZED(CHIP)	1K OHM 1 / 16 W 1608 5.00% D	
		R710	79093042	0RH3301C622	RESISTOR,METAL GLAZED(CHIP)	3.3K OHM 1 / 16 W 1608 5.00% D	
		R711	79093042	0RH3301C622	RESISTOR,METAL GLAZED(CHIP)	3.3K OHM 1 / 16 W 1608 5.00% D	
		R712	79093045	0RH4701C622	RESISTOR,METAL GLAZED(CHIP)	4.7K OHM 1 / 16 W 1608 5.00% D	
		R713	79093047	0RH5601C622	RESISTOR,METAL GLAZED(CHIP)	5.6K OHM 1 / 16 W 1608 5.00% D	
		R715	79093039	0RH2201C622	RESISTOR,METAL GLAZED(CHIP)	2.2K OHM 1 / 16 W 1608 5.00% D	
		R716	79098767	0RH1001C622	RESISTOR,METAL GLAZED(CHIP)	1K OHM 1 / 16 W 1608 5.00% D	
		R717	79093027	0RH1000C622	RESISTOR,METAL GLAZED(CHIP)	100 OHM 1 / 16 W 1608 5.00% D	
		R718	79093027	0RH1000C622	RESISTOR,METAL GLAZED(CHIP)	100 OHM 1 / 16 W 1608 5.00% D	
		R7M1	79098767	0RH1001C622	RESISTOR,METAL GLAZED(CHIP)	1K OHM 1 / 16 W 1608 5.00% D	
		R7M2	79098771	0RH2200C622	RESISTOR,METAL GLAZED(CHIP)	220 OHM 1 / 16 W 1608 5.00% D	
		R7M4	79098767	0RH1001C622	RESISTOR,METAL GLAZED(CHIP)	1K OHM 1 / 16 W 1608 5.00% D	
		R7M5	79098771	0RH2200C622	RESISTOR,METAL GLAZED(CHIP)	220 OHM 1 / 16 W 1608 5.00% D	
		R7V1	79093030	0RH1004C622	RESISTOR,METAL GLAZED(CHIP)	1M OHM 1 / 16 W 1608 5.00% D	
		R7V2	79096030	0RH1003C622	RESISTOR,METAL GLAZED(CHIP)	100K OHM 1 / 16 W 1608 5.00% D	
		R7V3	79093050	0RH6801C622	RESISTOR,METAL GLAZED(CHIP)	6.8K OHM 1 / 16 W 1608 5.00% D	
		R7V4	AF000319	0RH5603C622	RESISTOR,METAL GLAZED(CHIP)	560K OHM 1 / 16 W 1608 5.00% D	
		R7V5	79093050	0RH6801C622	RESISTOR,METAL GLAZED(CHIP)	6.8K OHM 1 / 16 W 1608 5.00% D	
		R7V6	AF000319	0RH5603C622	RESISTOR,METAL GLAZED(CHIP)	560K OHM 1 / 16 W 1608 5.00% D	
		R7V7	79093045	0RH4701C622	RESISTOR,METAL GLAZED(CHIP)	4.7K OHM 1 / 16 W 1608 5.00% D	

TOSHIBA MODEL : SD-34VLSL

NSP : Not available as service parts.
 RUN DATE : 28-JUNE-04

S	AL	LOCA. NO.	TOSHIBA P/NO	LG PART NO.	DESCRIPTION	SPECIFICATION	REMARKS
		R7V8	79093027	0RH1000C622	RESISTOR,METAL GLAZED(CHIP)	100 OHM 1 / 16 W 1608 5.00% D	
		R7V9	79093027	0RH1000C622	RESISTOR,METAL GLAZED(CHIP)	100 OHM 1 / 16 W 1608 5.00% D	
		R801	AF000318	0RH3304C622	RESISTOR,METAL GLAZED(CHIP)	3.3M OHM 1 / 16 W 1608 5.00% D	
		R802	79096215	0RH3302C622	RESISTOR,METAL GLAZED(CHIP)	33K OHM 1 / 16 W 1608 5.00% D	
		R803	AF000315	0RH2701C622	RESISTOR,METAL GLAZED(CHIP)	2.7K OHM 1 / 16 W 1608 5.00% D	
		R804	79093043	0RH3902C622	RESISTOR,METAL GLAZED(CHIP)	39K OHM 1 / 16 W 1608 5.00% D	
		R805	AF000315	0RH2701C622	RESISTOR,METAL GLAZED(CHIP)	2.7K OHM 1 / 16 W 1608 5.00% D	
		R806	79096215	0RH3302C622	RESISTOR,METAL GLAZED(CHIP)	33K OHM 1 / 16 W 1608 5.00% D	
		R807	79093044	0RH4700C622	RESISTOR,METAL GLAZED(CHIP)	470 OHM 1 / 16 W 1608 5.00% D	
		R808	79093029	0RH1002C622	RESISTOR,METAL GLAZED(CHIP)	10K OHM 1 / 16 W 1608 5.00% D	
		R809	79093037	0RH1802C622	RESISTOR,METAL GLAZED(CHIP)	18K OHM 1 / 16 W 1608 5.00% D	
		R810	79093027	0RH1000C622	RESISTOR,METAL GLAZED(CHIP)	100 OHM 1 / 16 W 1608 5.00% D	
		R811	79093027	0RH1000C622	RESISTOR,METAL GLAZED(CHIP)	100 OHM 1 / 16 W 1608 5.00% D	
		R812	79098767	0RH1001C622	RESISTOR,METAL GLAZED(CHIP)	1K OHM 1 / 16 W 1608 5.00% D	
		R821	79093039	0RH2201C622	RESISTOR,METAL GLAZED(CHIP)	2.2K OHM 1 / 16 W 1608 5.00% D	
		R822	79096030	0RH1003C622	RESISTOR,METAL GLAZED(CHIP)	100K OHM 1 / 16 W 1608 5.00% D	
		R823	79093039	0RH2201C622	RESISTOR,METAL GLAZED(CHIP)	2.2K OHM 1 / 16 W 1608 5.00% D	
		R824	79096030	0RH1003C622	RESISTOR,METAL GLAZED(CHIP)	100K OHM 1 / 16 W 1608 5.00% D	
		R825	79093039	0RH2201C622	RESISTOR,METAL GLAZED(CHIP)	2.2K OHM 1 / 16 W 1608 5.00% D	
		R826	79093039	0RH2201C622	RESISTOR,METAL GLAZED(CHIP)	2.2K OHM 1 / 16 W 1608 5.00% D	
		R850	79093027	0RH1000C622	RESISTOR,METAL GLAZED(CHIP)	100 OHM 1 / 16 W 1608 5.00% D	
		R851	79093027	0RH1000C622	RESISTOR,METAL GLAZED(CHIP)	100 OHM 1 / 16 W 1608 5.00% D	
		R861	79093045	0RH4701C622	RESISTOR,METAL GLAZED(CHIP)	4.7K OHM 1 / 16 W 1608 5.00% D	
		R862	79093045	0RH4701C622	RESISTOR,METAL GLAZED(CHIP)	4.7K OHM 1 / 16 W 1608 5.00% D	
		R863	79093045	0RH4701C622	RESISTOR,METAL GLAZED(CHIP)	4.7K OHM 1 / 16 W 1608 5.00% D	
		R864	79093045	0RH4701C622	RESISTOR,METAL GLAZED(CHIP)	4.7K OHM 1 / 16 W 1608 5.00% D	
		R865	79093045	0RH4701C622	RESISTOR,METAL GLAZED(CHIP)	4.7K OHM 1 / 16 W 1608 5.00% D	
		R866	79093020	0RH0000C622	RESISTOR,METAL GLAZED(CHIP)	0 OHM 1 / 16 W 1608 5.00% D	
		R867	79093020	0RH0000C622	RESISTOR,METAL GLAZED(CHIP)	0 OHM 1 / 16 W 1608 5.00% D	
		R868	79093020	0RH0000C622	RESISTOR,METAL GLAZED(CHIP)	0 OHM 1 / 16 W 1608 5.00% D	
		R874	79093025	0RH0752C622	RESISTOR,METAL GLAZED(CHIP)	75 OHM 1 / 16 W 1608 5.00% D	
		R875	79093045	0RH4701C622	RESISTOR,METAL GLAZED(CHIP)	4.7K OHM 1 / 16 W 1608 5.00% D	
		R876	79093045	0RH4701C622	RESISTOR,METAL GLAZED(CHIP)	4.7K OHM 1 / 16 W 1608 5.00% D	
		R881	79093045	0RH4701C622	RESISTOR,METAL GLAZED(CHIP)	4.7K OHM 1 / 16 W 1608 5.00% D	
		R882	79093045	0RH4701C622	RESISTOR,METAL GLAZED(CHIP)	4.7K OHM 1 / 16 W 1608 5.00% D	
		R891	79093045	0RH4701C622	RESISTOR,METAL GLAZED(CHIP)	4.7K OHM 1 / 16 W 1608 5.00% D	
		R892	79093045	0RH4701C622	RESISTOR,METAL GLAZED(CHIP)	4.7K OHM 1 / 16 W 1608 5.00% D	
		R901	79093032	0RH1202C622	RESISTOR,METAL GLAZED(CHIP)	12K OHM 1 / 16 W 1608 5.00% D	
		R902	79093029	0RH1002C622	RESISTOR,METAL GLAZED(CHIP)	10K OHM 1 / 16 W 1608 5.00% D	
		R903	79093025	0RH0752C622	RESISTOR,METAL GLAZED(CHIP)	75 OHM 1 / 16 W 1608 5.00% D	
		R904	79093046	0RH5600C622	RESISTOR,METAL GLAZED(CHIP)	560 OHM 1 / 16 W 1608 5.00% D	
		R905	79093046	0RH5600C622	RESISTOR,METAL GLAZED(CHIP)	560 OHM 1 / 16 W 1608 5.00% D	
		R906	79093046	0RH5600C622	RESISTOR,METAL GLAZED(CHIP)	560 OHM 1 / 16 W 1608 5.00% D	
		R907	79093046	0RH5600C622	RESISTOR,METAL GLAZED(CHIP)	560 OHM 1 / 16 W 1608 5.00% D	
		R908	79093025	0RH0752C622	RESISTOR,METAL GLAZED(CHIP)	75 OHM 1 / 16 W 1608 5.00% D	
		R909	79093025	0RH0752C622	RESISTOR,METAL GLAZED(CHIP)	75 OHM 1 / 16 W 1608 5.00% D	
		R910	79093025	0RH0752C622	RESISTOR,METAL GLAZED(CHIP)	75 OHM 1 / 16 W 1608 5.00% D	
		R913	79093025	0RH0752C622	RESISTOR,METAL GLAZED(CHIP)	75 OHM 1 / 16 W 1608 5.00% D	
		R914	79093025	0RH0752C622	RESISTOR,METAL GLAZED(CHIP)	75 OHM 1 / 16 W 1608 5.00% D	
		R919	79098768	0RH1100C622	RESISTOR,METAL GLAZED(CHIP)	110 OHM 1 / 16 W 1608 5.00% D	
		R920	79093025	0RH0752C622	RESISTOR,METAL GLAZED(CHIP)	75 OHM 1 / 16 W 1608 5.00% D	
		R921	79098768	0RH1100C622	RESISTOR,METAL GLAZED(CHIP)	110 OHM 1 / 16 W 1608 5.00% D	
		R922	79093023	0RH0222C622	RESISTOR,METAL GLAZED(CHIP)	22 OHM 1 / 16 W 1608 5.00% D	
		R923	79093020	0RH0000C622	RESISTOR,METAL GLAZED(CHIP)	0 OHM 1 / 16 W 1608 5.00% D	
		R924	79093020	0RH0000C622	RESISTOR,METAL GLAZED(CHIP)	0 OHM 1 / 16 W 1608 5.00% D	
		R925	79093020	0RH0000C622	RESISTOR,METAL GLAZED(CHIP)	0 OHM 1 / 16 W 1608 5.00% D	
		R927	79098767	0RH1001C622	RESISTOR,METAL GLAZED(CHIP)	1K OHM 1 / 16 W 1608 5.00% D	
		R930	79098767	0RH1001C622	RESISTOR,METAL GLAZED(CHIP)	1K OHM 1 / 16 W 1608 5.00% D	
		R933	79093025	0RH0752C622	RESISTOR,METAL GLAZED(CHIP)	75 OHM 1 / 16 W 1608 5.00% D	
		R934	79093025	0RH0752C622	RESISTOR,METAL GLAZED(CHIP)	75 OHM 1 / 16 W 1608 5.00% D	
		R935	79098767	0RH1001C622	RESISTOR,METAL GLAZED(CHIP)	1K OHM 1 / 16 W 1608 5.00% D	
		R937	79093023	0RH0222C622	RESISTOR,METAL GLAZED(CHIP)	22 OHM 1 / 16 W 1608 5.00% D	
		R938	79093023	0RH0222C622	RESISTOR,METAL GLAZED(CHIP)	22 OHM 1 / 16 W 1608 5.00% D	
		R939	79093025	0RH0752C622	RESISTOR,METAL GLAZED(CHIP)	75 OHM 1 / 16 W 1608 5.00% D	
		R940	79093025	0RH0752C622	RESISTOR,METAL GLAZED(CHIP)	75 OHM 1 / 16 W 1608 5.00% D	
		R941	79093025	0RH0752C622	RESISTOR,METAL GLAZED(CHIP)	75 OHM 1 / 16 W 1608 5.00% D	
		R942	79093025	0RH0752C622	RESISTOR,METAL GLAZED(CHIP)	75 OHM 1 / 16 W 1608 5.00% D	
		R943	79093025	0RH0752C622	RESISTOR,METAL GLAZED(CHIP)	75 OHM 1 / 16 W 1608 5.00% D	
		R944	79093025	0RH0752C622	RESISTOR,METAL GLAZED(CHIP)	75 OHM 1 / 16 W 1608 5.00% D	
		R945	AF000312	0RH1800C622	RESISTOR,METAL GLAZED(CHIP)	180 OHM 1 / 16 W 1608 5.00% D	
		R962	79093033	0RH1500C422	RESISTOR,METAL GLAZED(CHIP)	150 OHM 1 / 16 W 1608 1.00% D	
		R970	79093033	0RH1500C422	RESISTOR,METAL GLAZED(CHIP)	150 OHM 1 / 16 W 1608 1.00% D	
		R972	79093033	0RH1500C422	RESISTOR,METAL GLAZED(CHIP)	150 OHM 1 / 16 W 1608 1.00% D	
		R974	79093033	0RH1500C422	RESISTOR,METAL GLAZED(CHIP)	150 OHM 1 / 16 W 1608 1.00% D	
		R975	79093033	0RH1500C422	RESISTOR,METAL GLAZED(CHIP)	150 OHM 1 / 16 W 1608 1.00% D	

TOSHIBA MODEL : SD-34VLSL

NSP : Not available as service parts.
 RUN DATE : 28-JUNE-04

S	AL	LOCA. NO.	TOSHIBA P/NO	LG PART NO.	DESCRIPTION	SPECIFICATION	REMARKS
		R979	79093020	0RH0000C622	RESISTOR,METAL GLAZED(CHIP)	0 OHM 1 / 16 W 1608 5.00% D	
		R981	79093020	0RH0000C622	RESISTOR,METAL GLAZED(CHIP)	0 OHM 1 / 16 W 1608 5.00% D	
		RS501	AF000446	6500RAB008A	SENSOR	KIT-3001A REEL SENSOR KODENSHI	
		RS502	AF000446	6500RAB008A	SENSOR	KIT-3001A REEL SENSOR KODENSHI	
		SC901	AF000457	6612M00006A	JACK, SCART	DSAM-0341 DOOWON	
		TU701	AF000463	6700PFPL07F	TUNER	TADM-M101D(GKI, LGIT) LG INOTEK	
		TU701	AF000461	6700PFFG05F	TUNER	TCMK0601PD20C(GKI, SS) SS PAL F	
		X301	AF000438	6212AA2443Z	RESONATOR,CRYSTAL	HC-49S CSC/KITELCO 4.433619MHZ	
		X501	AF000080	6212AA2100C	RESONATOR,CRYSTAL	HC-49S BUBANG 10MHZ +/- 30 PPM	
		X501	AF000081	6212AA2100C	RESONATOR,CRYSTAL	HC-49S BUBANG 10MHZ +/- 30 PPM	
		X501	AF000079	6202R31001F	RESONATOR,CRYSTAL	HC-49S KEUMSEOK 10-0000MHZ 30P	
		X502	79096501	6202R-DA01B	RESONATOR,CRYSTAL	CFS-308 CITIZEN 32.768KHZ +/-	
		X502	AF000082	6212AC2327E	RESONATOR,CRYSTAL	C-001R SEIKO EPSON 32.768 KHZ	
		X601	79097346	6202R-BL06C	RESONATOR,CRYSTAL	HC-49/S BUBANG 27MHZ 20PPM 15	
		X751	79096507	529-021Q	RESONATOR,CRYSTAL	49U BUBANG 18432000HZ 30PPM 16	
		X751	AF000137	6212AA2184F	RESONATOR,CRYSTAL	HC-49U KYUNGIL 18.432MHZ +/- 3	
		ZD103	AF000292	0DZ132609BB	DIODE,ZENER	UZ-13BSA 26MM TP PYUNG CHANG	
		ZD507	79096017	0DZ562609BB	DIODE,ZENER	UZ-5.6BSB 26MM TP PYUNG CHANG	
		ZD508	79096017	0DZ562609BB	DIODE,ZENER	UZ-5.6BSB 26MM TP PYUNG CHANG	
		ZD601	79096317	0DZ562609AB	DIODE,ZENER	UZ-5.6BSC 26MM TP PYUNG CHANG	
		ZD602	79096317	0DZ562609AB	DIODE,ZENER	UZ-5.6BSC 26MM TP PYUNG CHANG	
		ZD603	79096317	0DZ562609AB	DIODE,ZENER	UZ-5.6BSC 26MM TP PYUNG CHANG	
		ZD801	AF000109	0DZKE00018A	DIODE,ZENERS	Z02W7.5V KEC R/TP SOT23 250MW	
		ZD802	AF000109	0DZKE00018A	DIODE,ZENERS	Z02W7.5V KEC R/TP SOT23 250MW	
*** DECK ASSEMBLY , VIDEO(VCR) ***							
		A00	AF000683	6721RF0954B	DECK ASSEMBLY,VIDEO	DECK/MECHA D37(M) DI (4HF,PAL,	NSP
		A01	AF000684	6723R-0603F	DRUM(CIRC) ASSEMBLY	DECK/MECHA (9P6S) D37-6CH PAL	
		A03	AF000380	4261R-0039A	ARM ASSEMBLY	DECK/MECHA CLEANER - D37	
		A11	AF000401	4471R-0017A	GEAR ASSEMBLY	DECK/MECHA P3 - D37	
		A12	AF000399	4471R-0015A	GEAR ASSEMBLY	DECK/MECHA P2 - D37	
		A21	AF000419	4931R-0084A	HOLDER ASSEMBLY	DECK/MECHA CST - D37	
		A22	AF000400	4471R-0016A	GEAR ASSEMBLY	DECK/MECHA RACK F/L - D37	
		A23	AF000379	4261R-0038A	ARM ASSEMBLY	DECK/MECHA F/L - D37	
		A24	AF000408	4511R-0005A	LEVER ASSEMBLY	SWITCH(C) - D37	
		003	AF000414	4930R-0449A	HOLDER	DECK/MECHA FPCB(6CH) - D37C MO	
		004	AF000429	5006R-0045A	CAP	DECK/MECHA FPCB - D37C MOLD	
		006	AF000056	4580R-0004A	ROLLER	CLEANER	NSP
		007	AF000376	4260R-0053A	ARM	DECK/MECHA CLEANER MOLD - D37	NSP
		008	AF000473	6850R-HG18Y	CABLE,FLAT	P=1.25 FFC UL2896(0.05X0.8) 7	
		009	AF000377	4260R-0056A	ARM	DECK/MECHA T/UP OTHER - D37	
		011	AF000381	4261R-0040A	ARM ASSEMBLY	DECK/MECHA TENSION - D37	
		012	AF000337	3041R-M037A	BASE ASSEMBLY	P2 -D37	
		012	AF000721	3041R-M037B	BASE ASSEMBLY	P2 - D37	
		013	AF000338	3041R-M038A	BASE ASSEMBLY	P3 - D37	
		013	AF000722	3041R-M038B	BASE ASSEMBLY	P3 - D37	
		014	AF000339	3041R-M039A	BASE ASSEMBLY	P4 - D37	
		015	AF000431	5870R-0007A	OPENER	DECK/MECHA LID OTHER - D37	
		016	AF000335	3041R-M036A	BASE ASSEMBLY	A/C HEAD (ALPS) - D37	
		016	AF000336	3041R-M036B	BASE ASSEMBLY	A/C HEAD (TDK) - D37	
		017	AF000388	4408R-0005A	REEL	DECK/MECHA S OTHER - D37	
		021	AF000391	4421R-M002A	BRAKE ASSEMBLY	T - D37	
		022	AF000447	6520D00004B	HEAD(CIRC)	ST ST FE HEAD FOR D37 13.5	
		023	AF000331	3040R-M056A	BASE	LOADING OTHER - D37	
		024	AF000382	4261R-0041A	ARM ASSEMBLY	DECK/MECHA IDLER(H)	
		026	AF000412	4681RF0039A	MOTOR ASSEMBLY	DECK/MECHA L/D - (DI) D37	
		027	AF000392	4470R-0133A	GEAR	DECK/MECHA WHEEL OTHER - D37	
		028	AF000389	4408R-0006A	REEL	DECK/MECHA T OTHER - D37	
		029	AF000378	4261R-0037A	ARM ASSEMBLY	DECK/MECHA PINCH - D37 (CHON P	
		029	AF000671	4261R-0037B	ARM ASSEMBLY	DECK/MECHA PINCH - D37 (YAMAUC	
		029	AF000663	4261R-0037C	ARM ASSEMBLY	DECK/MECHA PINCH - D37 (MEIJI)	
		031	AF000427	4970R-0175A	SPRING	COIL TENSION - D37	
		032	AF000344	3141R-M002A	CHASSIS ASSEMBLY	D37	NSP
		051	79096414	4400R-0005A	BELT	CAPSTAN	
		052	AF000409	4680R-A015A	MOTOR(MECH)	CAPSTAN F2QVB66 SANKYO FOR D37	
		052	AF000411	4680R-A017A	MOTOR(MECH)	CAPSTAN DMVCMC20L SAMSUNG FOR	
		052	AF000410	4680R-A016A	MOTOR(MECH)	CAPSTAN MCVC-037AA LGIT FOR D3	
		052A	AF000428	4980R-0029A	SUPPORTER	DECK/MECHA CAPSTAN OTHER - D37	
		054	AF000395	4470R-0136A	GEAR	DECK/MECHA RACK F/L OTHER - D3	
		054A	AF000425	4970R-0171A	SPRING	COIL RACK F/L - D37	
		055	AF000397	4470R-0140A	GEAR	DECK/MECHA DRIVE OTHER - D37	
		056	AF000396	4470R-0139A	GEAR	DECK/MECHA CAM OTHER - D37	
		058	AF000390	4421R-M001A	BRAKE ASSEMBLY	CAPSTAN -D37	
		060	AF000406	4510R-0065A	LEVER	DECK/MECHA F/R OTHER - D37	
		061	AF000387	4265R-0008A	CLUTCH ASSEMBLY	DECK/MECHA D37(M)	
		064	AF000398	4470R-0141A	GEAR	DECK/MECHA SECTOR OTHER - D37	

TOSHIBA MODEL : SD-34VLSL

NSP : Not available as service parts.
 RUN DATE : 28-JUNE-04

S	AL	LOCA. NO.	TOSHIBA P/NO	LG PART NO.	DESCRIPTION	SPECIFICATION	REMARKS
		065	AF000385	4261R-0044A	ARM ASSEMBLY	DECK/MECHA P3 - D37	NSP
		066	AF000073	4970R-0122A	SPRING	COIL D35	NSP
		067	AF000394	4470R-0135A	GEAR	DECK/MECHA P3 OTHER - D37	NSP
		068	AF000393	4470R-0134A	GEAR	DECK/MECHA P2 OTHER - D37	NSP
		069	AF000073	4970R-0122A	SPRING	COIL D35	NSP
		070	AF000384	4261R-0043A	ARM ASSEMBLY	DECK/MECHA P2 - D37	NSP
		076	AF000404	4510R-0063A	LEVER	DECK/MECHA SPRING OTHER - D37	
		077	AF000350	3300R-M203A	PLATE	SLIDER OTHER - D37	
		078	AF000403	4510R-0062A	LEVER	DECK/MECHA TENSION OTHER - D37	
		079	AF000332	3040R-M057A	BASE	TENSION OTHER - D37	
		080	AF000405	4510R-0064A	LEVER	DECK/MECHA BRAKE OTHER - D37	
		100	AF000352	3301R-M193A	PLATE ASSEMBLY	TOP - D37	
		102	AF000426	4970R-0173A	SPRING	COIL STOPPER - D37	
		103	AF000417	4930R-0452A	HOLDER	DECK/MECHA SIDE (L) OTHER - D3	NSP
		105	AF000415	4930R-0450A	HOLDER	DECK/MECHA CST OTHER - D37	NSP
		106	AF000416	4930R-0451A	HOLDER	DECK/MECHA SIDE(R) OTHER - D37	NSP
		107	AF000402	4510R-0061A	LEVER	DECK/MECHA STOPPER OTHER - D37	NSP
		109	AF000432	5870R-0008A	OPENER	DECK/MECHA DOOR OTHER - D37	
		110	AF000374	4260R-0051A	ARM	DECK/MECHA F/L(L) OTHER - D37	NSP
		112	AF000021	3070R-0002A	BODY	F/L	NSP
		113	AF000424	4970R-0169A	SPRING	COIL F/L(R) - D37	NSP
		114	AF000375	4260R-0052A	ARM	DECK/MECHA F/L (R) OTHER - D37	NSP
		115	AF000407	4510R-0070A	LEVER	DECK/MECHA SWITCH(C) OTHER - D	
		116	AF000423	4970R-0163A	SPRING	COIL D35S SWITCH	
		405	AF000718	1MPC0301270	SCREW MACHINE,PAN HEAD	D3.0 L3.5 SWRCH18A/FZW	
		406	79096381	1MEC0302018	PAN HEAD MACHINE SCREW S/W +	D 3.0 L 6.0 MSWR3/FZY	
		409	79096384	1SZZR-0032B	SCREW,DRAWING	+ 1 D2.6 L5.0 SWRCH18A/FZY TAP	
		410	79096379	1APF0262218	SCREW TAP TITE(B),PAN HEAD	D2.6 L6.8 MSWR3/FZY	
		517	79096386	1WZZR-0004D	WASHER,DRAWING	STOPPER	
		518	79096385	1WZZR-0004A	WASHER,DRAWING	STOPPER	
*** DECK ASSEMBLY , MD (DVD) ***							
		A26	AF000781	6721RF0384E	DECK ASSEMBLY,VIDEO	DVD DP-7C 1 BOARD (DI) MTK1389	NSP
		A01	79096511	4861R-0016C	CLAMP ASSEMBLY	DECK/MECHA DISC DP-7 (DI)	
		A02	AF000720	3041R-D014B	BASE ASSEMBLY	MAIN(DP-7C 1 BOARD SLIM MTK 13	
		A03	AF000723	3041R-M049A	BASE ASSEMBLY	SLED DP-7C 1BOARD	
		001	79097006	3300R-0547A	PLATE	CLAMP	NSP
		002	79097007	5016H-1016B	MAGNET	CLAMP(LDM-R608,10*5,1*1.5T)	NSP
		003	AF000069	4860R-0021A	CLAMP	UPPER DP7	NSP
		004	79097553	4930R-0171A	HOLDER	CLAMP	
		010	79097364	6850R-GK12A	CABLE,FLAT	P=1.0 FFC UL2896(0.05X0.65) 11	
		011	79096531	3210R-M002A	FRAME	UP/DOWN MOLD DP7C	
		011A	AF000474	6850R-JW20Z	CABLE,FLAT	P=1.0 FFC UL2896(0.035X0.7) 23	
		012	79096652	5040R-0075B	RUBBER	DAMPER DP7 (CHUNG PUNG 30)	
		012	AF000076	5040R-0075D	RUBBER	DAMPER DP7 (YAMAUCHI 30)	
		013	AF000050	4400R-0006B	BELT	DECK/MECHA DP2-5, DP7C,DP7A OT	
		014	79096235	4470R-0055A	GEAR	PULLEY	
		015	AF000784	6871RZ5130C	PWB(PCB) ASSEMBLY,OTHERS	SUB L/D (DP-4V,DVD+VCR) DI	
		015A	AF000751	4681R-A013A	MOTOR ASSEMBLY	DVD DP-7C1BOARD LOADING(DI MTK	
		015B	79096516	4560R-0008A	PULLEY	MOTOR	
		015C	79096515	4680HP2001A	MOTOR(MECH)	RF-300CH-11440(SHAFT 6.05L)M/C	
		015C	AF000064	4680R-D003A	MOTOR(MECH)	LOADING RF-300EH-1D390 MABUCHI	
		015C	AF000066	4680R-E010A	MOTOR(MECH)	FEEDING BCZ3B51 SANKYO FOR DP7	
		015C	AF000065	4680R-E009A	MOTOR(MECH)	FEEDING RF300EH-1D390 MABUCHI	
		017	79096236	4470R-0056A	GEAR	LOADING	
		018	79096240	4974R-0023A	GUIDE	UP/DOWN	
		020	AF000330	3040R-D006A	BASE	DP-7C(04.COMBI) MOLD 1-BOARD	NSP
		021	AF000062	4680R-C011A	MOTOR(MECH)	SPINDLE JCL9B68 SANKYO FOR COM	
		022	79096514	4681R-0034C	MOTOR ASSEMBLY	DECK/MECHA FEED DP-7C(DI)	
		024	AF000054	4470R-0131A	GEAR	PINION DP7C	
		024A	79096508	5006R-0044A	CAP	SKEW-T DP7C	
		024B	79096509	5006R-0043A	CAP	SKEW DP7C	
		025	79096518	4470R-0130A	GEAR	MIDDLE DP7C	
		026	AF000353	3390R-0017A	TRAY	DVD DISC(DP-7C-SLIM) MOLD	
		028	79096520	4370R-0082B	SHAFT	DECK/MECHA PU R DP-7C OTHER	
		029	AF000049	4370R-0082A	SHAFT	PU DP-7C	
		030	79096517	4471R-0013C	GEAR ASSEMBLY	DECK/MECHA RACK DP-7C(7A) DI	
		429	79096221	1SZZR-0012A	SCREW,DRAWING	B-TITE	
		430	79097901	1SZZH-1003A	SCREW,DRAWING	+ D2.0 6MM SWRCH16A/NIY 4.5MM	
		430	79097901	1SZZH-1003A	SCREW,DRAWING	+ D2.0 6MM SWRCH16A/NIY 4.5MM	
		431	79096220	1SZZH-1007B	SCREW,DRAWING	+ D2.0 6MM SWRCH16A/ZNBK 4MM 1	
		431	79096220	1SZZH-1007B	SCREW,DRAWING	+ D2.0 6MM SWRCH16A/ZNBK 4MM 1	
		433	79096541	1SZZR-0050A	SCREW,DRAWING	+ 1 D2.0 L4.5 SWRCH16A/ZNY S-T	
		435	79097902	1SZZR-0011A	SCREW,DRAWING	MACHINE	

NOTES) ⚠ Warning Parts that are shaded are critical With respect to risk of fire or electrical shock.

SECTION 6 REPLACEMENT PARTS LIST

TOSHIBA MODEL : SD-34VBSB

NSP : Not available as service parts.

RUN DATE : 28-JUNE-04

S	AL	LOCA. NO.	TOSHIBA P/NO	LG PART NO.	DESCRIPTION	SPECIFICATION	REMARKS
*** INDIVIDUAL PARTS ***							
		250	AF000340	3110R-V024B	CASE	VBW8024 PRESS TOP A288G B:3,S:	
		274	AF000351	3300R-V103A	PLATE	TOSHIBA PRESS JACK	
		276	AF000418	4930R-0471A	HOLDER	VCR ONE BOARD SLIM MOLD HF-380	
	⚠	300	AF000496	6410RBHV02E	POWER CORD	MP5005SC/HO3VVH2-F EIMI FILTER	
		457	79097907	353-051E	SCREW,DRAWING	SPECIAL (3X12)	
		462	AF000355	353-051K	SCREW,DRAWING	+ 2 D3.0 - MSWR3/FN L23.5 X13.	
		465	79097903	353-046K	SCREW,DRAWING	SPECIAL (3X10 B.K)	
		467	79096043	353-051G	SCREW,DRAWING	+ 2 D3.0 L8.0 MSWR3/FN TB ROUN	
		467	79096043	353-051G	SCREW,DRAWING	+ 2 D3.0 L8.0 MSWR3/FN TB ROUN	
		468	AF000354	353-051J	SCREW,DRAWING	+ 2 D3.0 L6.5 MSWR3/FN TB ROUN	
*** PACKING ACCESSORY ***							
		801	AF000743	3835RV0004K	INSTRUCTION ASSEMBLY	VCR VBC8007P1M.NA4UTT TOSHIBA	
		802	AF000746	3890R-C225A	BOX	VBC8007P1M NA4UTT SWW3-A	
		803	AF000373	3920R-E104A	PACKING,CASING	V89/88 0.02 80 EPS 4 937 1984	
		804	79096262	292-053B	BAG	SOFT(MIDI)	NSP
		808	79096451	534-008C	BATTERY,MANGANESE	AAAM(R03) SEOTONG 1-5 V - 1PA	
		806	AF000472	6850R-CAA2H	CABLE,COAXIAL	RF PAL DOUBLE SHIELD DT_HY_HIT	
		810		51R-0054B	CABLE ASSEMBLY	PAL RF 1.2M FREE OF CD_PB_HG H	
*** REMOTE CONTROLLER ***							
		900	79096495	6711R2N080B	REMOTE CONTROLLER ASSEMBLY	TOSHIBA VB602CI SE-R0091 TOSHI	
*** PANEL ASSEMBLY , FRONT ***							
		A43	AF000736	3721R-F837F	PANEL ASSEMBLY,FRONT	VCR VBC8007P1M NA4UTT FRONT	
		280	AF000363	3720R-F774B	PANEL,VIDEO	VCR VBC8016P1K MOLD FRONT(SPOO	NSP
		283	AF000733	3580R-V099F	DOOR	VCR VBC8007P1M NA4UTT MOLD CST	
		284	79096419	442-681A	SPRING	DOOR	
		285	AF000730	3580R-T132F	DOOR	VCR VBC8007P1M NA4UTT MOLD TRA	
		286	AF000422	4970R-0146A	SPRING	PLATE DR4000 SPRING	
*** PWB(PCB) ASSEMBLY , TOTAL TIMER/KEY ***							
		A50	AF000782	6871R-7788C	PWB(PCB) ASSEMBLY,TOTAL	TIMER & KEY VBC8007P1M	
		C601	79097104	0CE1064F638	CAPACITOR,ELECTROLYTIC	10M SRA 16V M FM5 TP(5)	
		C611	790971234	0CN1020K518	CAPACITOR TUBULA(HIGH DIELE)	1000P 50V K B TA26	
		C611	79097123	0CN1020K518	CAPACITOR TUBULA(HIGH DIELE)	1000P 50V K B TA26	
		C612	790971234	0CN1020K518	CAPACITOR TUBULA(HIGH DIELE)	1000P 50V K B TA26	
		C612	79097123	0CN1020K518	CAPACITOR TUBULA(HIGH DIELE)	1000P 50V K B TA26	
		C6G1	79096020	0CE4775C638	CAPACITOR,FIXED ELECTROLYTIC	470UF SR,SV 6.3V 20% FM5 TP 5	
		C6G2	79096020	0CE4775C638	CAPACITOR,FIXED ELECTROLYTIC	470UF SR,SV 6.3V 20% FM5 TP 5	
		IC601	AF000296	0ILNRPY001A	IC,LINEAR	PT6955 PTC 24P SOP ST LED DRIV	
		JK601	AF000456	6612JH003AD	JACK,RCA	RCA-102H(BK) YUQIU BLACK	
		JK602	AF000456	6612JH003AD	JACK,RCA	RCA-102H(BK) YUQIU BLACK	
		JK603	AF000456	6612JH003AD	JACK,RCA	RCA-102H(BK) YUQIU BLACK	
		L602	79096332	0LA1000K018	INDUCTOR AXIAL LEAD	100M K 2.3X3.4 L5 TP	
		L603	79096332	0LA1000K018	INDUCTOR AXIAL LEAD	100M K 2.3X3.4 L5 TP	
		L6G1	AF000308	0LR4700K035	INDUCTOR RADIAL LEAD	470M K 6X6 L5 TP	
		LED601	AF000441	6301R2U012A	LED ASSEMBLY	TOS-3667AGMGMRMY-B OASIS UNIVE	
		LED601	AF000442	6301R3U012A	LED ASSEMBLY	F3C5-3GWB EVERLIGHT UNIVERSAL	
		LED602	79096306	0DL112000AK	DIODE,LED	DL-11S2GNS(SUPPER, GREEN,03)KOC	
		LED603	79096306	0DL112000AK	DIODE,LED	DL-11S2GNS(SUPPER, GREEN,03)KOC	
		P6602	AF000775	6630S-BC01H	CONNECTOR (CIRC),BOARD TO BOAR	52061-0811 J-MOLEX 8PIN 1-25MM	
		P6603	AF000776	6630S-BC02H	CONNECTOR (CIRC),BOARD TO BOAR	53045-0811 J-MOLEX 8PIN 1-25MM	
		P6M01	AF000765	561-844L	CONNECTOR(CIRC),DRAWING	TUC-P12X-B1,TAIKO	
		P6M03	AF000763	561-844D	CONNECTOR(CIRC),DRAWING	TUC-P05X-B1,TAIKO B-B 5PIN	
		P6M05	AF000763	561-844D	CONNECTOR(CIRC),DRAWING	TUC-P05X-B1,TAIKO B-B 5PIN	
		Q601	AF000210	0TR120309AE	TRANSISTOR	SRC1203 TP AUK TO92 22K,22K	
		Q602	AF000210	0TR120309AE	TRANSISTOR	SRC1203 TP AUK TO92 22K,22K	
		R604	79096341	0RD5602F608	RESISTOR,FIXED CARBON FILM	56K OHM 1/6 W 5% TA26	
		R605	79093014	0RD3300F608	RESISTOR,FIXED CARBON FILM	330 OHM 1/6 W 5% TA26	
		R611	79098764	0RD6800F608	RESISTOR,FIXED CARBON FILM	680 OHM 1/6 W 5% TA26	
		R612	79098765	0RD8200F608	RESISTOR,FIXED CARBON FILM	820 OHM 1/6 W 5% TA26	
		R613	79093007	0RD1201F608	RESISTOR,FIXED CARBON FILM	1.2K OHM 1/6 W 5% TA26	
		R613	79096185	0RD1201F608	RESISTOR,FIXED CARBON FILM	1.2K OHM 1/6 W 5% TA26	
		R614	79098760	0RD1501F608	RESISTOR,FIXED CARBON FILM	1.5K OHM 1/6 W 5% TA26	
		R615	79098761	0RD2201F608	RESISTOR,FIXED CARBON FILM	2.2K OHM 1/6 W 5% TA26	
		R616	79098764	0RD6800F608	RESISTOR,FIXED CARBON FILM	680 OHM 1/6 W 5% TA26	
		R617	79098765	0RD8200F608	RESISTOR,FIXED CARBON FILM	820 OHM 1/6 W 5% TA26	
		R618	79093007	0RD1201F608	RESISTOR,FIXED CARBON FILM	1.2K OHM 1/6 W 5% TA26	
		R618	79096185	0RD1201F608	RESISTOR,FIXED CARBON FILM	1.2K OHM 1/6 W 5% TA26	
		R619	79098760	0RD1501F608	RESISTOR,FIXED CARBON FILM	1.5K OHM 1/6 W 5% TA26	

TOSHIBA MODEL : SD-34VBSB

NSP : Not available as service parts.
 RUN DATE : 28-JUNE-04

S	AL	LOCA. NO.	TOSHIBA P/NO	LG PART NO.	DESCRIPTION	SPECIFICATION	REMARKS
		R620	79098761	ORD2201F608	RESISTOR, FIXED CARBON FILM	2.2K OHM 1/6 W 5% TA26	
		R631	79093010	ORD1800F608	RESISTOR, FIXED CARBON FILM	180 OHM 1/6 W 5% TA26	
		R632	79093010	ORD1800F608	RESISTOR, FIXED CARBON FILM	180 OHM 1/6 W 5% TA26	
		R641	79098759	ORD0752F608	RESISTOR, FIXED CARBON FILM	75 OHM 1/6 W 5.00% TA26	
		RC601	AF000465	6712R1638GB	REMOTE CONTROLLER RECEIVER	TSOP4438RF1 VISHAY 38KHZ =TSOP	
		SW601	79097338	556-219B	SWITCH, TACT	THVV502GAA POSTECH DC 12 V 5-	
		SW601	AF000451	6600R000036	SWITCH, TACT	EVQ 225 05R MATSUSHITA 15VDC 2	
		SW601	AF000452	6600RRT001Q	SWITCH, TACT	SKHVBE3520-AA FORWARD 12V DC 5	
		SW602	79097338	556-219B	SWITCH, TACT	THVV502GAA POSTECH DC 12 V 5-	
		SW602	AF000451	6600R000036	SWITCH, TACT	EVQ 225 05R MATSUSHITA 15VDC 2	
		SW602	AF000452	6600RRT001Q	SWITCH, TACT	SKHVBE3520-AA FORWARD 12V DC 5	
		SW603	79097338	556-219B	SWITCH, TACT	THVV502GAA POSTECH DC 12 V 5-	
		SW603	AF000451	6600R000036	SWITCH, TACT	EVQ 225 05R MATSUSHITA 15VDC 2	
		SW603	AF000452	6600RRT001Q	SWITCH, TACT	SKHVBE3520-AA FORWARD 12V DC 5	
		SW604	79097338	556-219B	SWITCH, TACT	THVV502GAA POSTECH DC 12 V 5-	
		SW604	AF000451	6600R000036	SWITCH, TACT	EVQ 225 05R MATSUSHITA 15VDC 2	
		SW604	AF000452	6600RRT001Q	SWITCH, TACT	SKHVBE3520-AA FORWARD 12V DC 5	
		SW605	79097338	556-219B	SWITCH, TACT	THVV502GAA POSTECH DC 12 V 5-	
		SW605	AF000452	6600RRT001Q	SWITCH, TACT	SKHVBE3520-AA FORWARD 12V DC 5	
		SW605	AF000451	6600R000036	SWITCH, TACT	EVQ 225 05R MATSUSHITA 15VDC 2	
		SW606	79097338	556-219B	SWITCH, TACT	THVV502GAA POSTECH DC 12 V 5-	
		SW606	AF000452	6600RRT001Q	SWITCH, TACT	SKHVBE3520-AA FORWARD 12V DC 5	
		SW606	AF000451	6600R000036	SWITCH, TACT	EVQ 225 05R MATSUSHITA 15VDC 2	
		SW607	79097338	556-219B	SWITCH, TACT	THVV502GAA POSTECH DC 12 V 5-	
		SW607	AF000452	6600RRT001Q	SWITCH, TACT	SKHVBE3520-AA FORWARD 12V DC 5	
		SW607	AF000451	6600R000036	SWITCH, TACT	EVQ 225 05R MATSUSHITA 15VDC 2	
		SW608	79097338	556-219B	SWITCH, TACT	THVV502GAA POSTECH DC 12 V 5-	
		SW608	AF000451	6600R000036	SWITCH, TACT	EVQ 225 05R MATSUSHITA 15VDC 2	
		SW608	AF000452	6600RRT001Q	SWITCH, TACT	SKHVBE3520-AA FORWARD 12V DC 5	
		SW609	79097338	556-219B	SWITCH, TACT	THVV502GAA POSTECH DC 12 V 5-	
		SW609	AF000451	6600R000036	SWITCH, TACT	EVQ 225 05R MATSUSHITA 15VDC 2	
		SW609	AF000452	6600RRT001Q	SWITCH, TACT	SKHVBE3520-AA FORWARD 12V DC 5	
		SW610	79097338	556-219B	SWITCH, TACT	THVV502GAA POSTECH DC 12 V 5-	
		SW610	AF000451	6600R000036	SWITCH, TACT	EVQ 225 05R MATSUSHITA 15VDC 2	
		SW610	AF000452	6600RRT001Q	SWITCH, TACT	SKHVBE3520-AA FORWARD 12V DC 5	
		SW611	79097338	556-219B	SWITCH, TACT	THVV502GAA POSTECH DC 12 V 5-	
		SW611	AF000452	6600RRT001Q	SWITCH, TACT	SKHVBE3520-AA FORWARD 12V DC 5	
		SW611	AF000451	6600R000036	SWITCH, TACT	EVQ 225 05R MATSUSHITA 15VDC 2	
		SW612	79097338	556-219B	SWITCH, TACT	THVV502GAA POSTECH DC 12 V 5-	
		SW612	AF000451	6600R000036	SWITCH, TACT	EVQ 225 05R MATSUSHITA 15VDC 2	
		SW612	AF000452	6600RRT001Q	SWITCH, TACT	SKHVBE3520-AA FORWARD 12V DC 5	
*** PWB(PCB) ASSEMBLY , TOTAL POWER ***							
		A47	AF000686	6871R-5377H	PWB(PCB) ASSEMBLY, TOTAL	SMPS VLC8510WIK SERIES	
		BD101	79096005	0DD16000DA	DIODE, RECTIFIERS	S1WBA60 BK SHINDENGEN - 600V -	
	▲	C101	79096244	624-088L	CAPACITOR, DRAWING	435D SUNIL ELECTRONICS 0.1UF/275V	
	▲	C102	79096244	624-088L	CAPACITOR, DRAWING	435D SUNIL ELECTRONICS 0.1UF/275V	
		C103	79096500	624-082C	CAPACITOR, AL. ELECTROLYTIC	100MF/400V SHL SMPS S/Y	
		C104	79098728	0CN1040K948	CAPACITOR, FIXED TUBULAR(HIGH D	0.1UF D 50V 80%,-20% F(Y5V) TA	
		C105	79092033	0CQ1031Y519	CAPACITOR, FIXED FILM	0.01UF D 630V 10% PE NI TP5	
		C106	79096651	624-087G	CAPACITOR	HIGH-VOL 68PF/1KV SMPS SAMHWA	
		C109	79092001	0CE1064K638	CAPACITOR, FIXED ELECTROLYTIC	10M SRA 50V M FM5 TP(5)	
	▲	C110	79096279	0CG1020U630	CAPACITOR, SEMI CERAMIC	1000PF 400V M E(Z5U) R	
	▲	C111	79096279	0CG1020U630	CAPACITOR, SEMI CERAMIC	1000PF 400V M E(Z5U) R	
		C117	79096617	0CE337EK630	CAPACITOR, AL. ELECTROLYTIC	330UF KMG 50V M FM5 BULK	
		C123	79092010	0CE477BH630	CAPACITOR, AL. ELECTROLYTIC	470UF KME TYPE 25V M FM5 BULK	
		C127	79092003	0CE108BF630	CAPACITOR, FIXED ELECTROLYTIC	1000UF KME 16V M FM5 BULK	
		C129	AF000268	0CE2282F611	CAPACITOR, FIXED ELECTROLYTIC	2200UF KMF 16V 20% BK7.5 FL	
		C131	79096460	624-082H	CAPACITOR	CE 1000UF/10V SHL(10*12.5)T/P	
		C133	79098731	0CQ1042K409	CAPACITOR, FIXED FILM	0.1UF S 50V 5% PE TP5	
		C135	79096303	0CN223AK948	CAPACITOR, TUBULAR(HIGH DIELEC)	0.022UF 50V Z F TA26 S	
		C163	79096243	624-087D	CAPACITOR	HI-VOL 470P/1KVDC SMPS SAMHWA	
		D101	79096006	0DD221009AA	DIODE, RECTIFIERS	ERA22-10 KFLB, TP ,R T/P,FUJI	
		D102	79096001	0DD010009AC	DIODE, RECTIFIERS	EU01W(R-FORM) TP SANKEN	
		D106	79096023	0DR104009BA	DIODE, RECTIFIERS	RL104F TP RECTRON - 400V 1A 30	
		D110	79096308	0DR302000AB	DIODE, RECTIFIERS	HER302 BK RECTRON DO201AD 100V	
		D110	79097505	0DD400000AD	DIODE, RECTIFIERS	RU4YX BK SANKEN - - - - -	
		D111	79096009	0DR158220AA	DIODE, RECTIFIERS	1N5822 BK RECTRON DO201AD 40V	
		D113	79096023	0DR104009BA	DIODE, RECTIFIERS	RL104F TP RECTRON - 400V 1A 30	
		D118	79096590	0DR104510AA	DIODE, RECTIFIERS	B10A45V1 BK KEC TO220 45V 10A	
	▲	F101	79096588	0FS1601B51D	FUSE, SLOW BLOW	1600MA 250 V 5.2X20 CY/GL KS/J	
		FH01	79098790	586-008B	HOLDER	FUSE CLIP TP SINSUNG	
		FH02	79098790	586-008B	HOLDER	FUSE CLIP TP SINSUNG	
		IC101	AF000302	0IPMGFA053A	IC, POWER MANAGEMENT	FSDL0365RN FAIRCHILD 8PIN, DIP	
	▲	IC102	79094030	657-063A	SENSOR	LTV-817B, PHOTO COUPLER(LITEON)	
		IC103	79094010	0IKE431000A	IC, KEC	KIA431 3 PIN TP	

TOSHIBA MODEL : SD-34VBSB

NSP : Not available as service parts.
 RUN DATE : 28-JUNE-04

S	AL	LOCA. NO.	TOSHIBA P/NO	LG PART NO.	DESCRIPTION	SPECIFICATION	REMARKS
△		L102	79096456	616-145G	FILTER(CIRC),DRAWING	SHT LFSQ2215V4-04220	
△		L102	AF000434	616-145E	FILTER(CIRC),DRAWING	KSE-145E KSE LINE FILTER SQ211	
		L125	79098794	633-088D	COIL,CHOKE	20UH KWANGSUNG LEAD CUT	
		PPM01	AF000772	6630R-BF03H	CONNECTOR (CIRC),BOARD TO BOAR	JE121-08 JAE EUN 8P 2.54MM COM	
		PW101	79096066	561-292B	CONNECTOR(CIRC),DRAWING	GP390 LGC 3P 3.96 STRAIGHT SN	
		R100	79093009	0RD1504H632	RESISTOR,FIXED CARBON FILM	1.5M OHM 1/2 W 5.00% MF10	
		R101	79093056	614-007A	RESISTOR	2.7/2W CEMENT SMPS V	
		R104	79093055	0RS5602K619	RESISTOR,FIXED METAL OXIDE FIL	56K OHM 2 W 5.00% TR	
		R105	79097164	0RD0102F608	RESISTOR,FIXED CARBON FILM	10 OHM 1/6 W 5% TA26	
		R112	79093011	0RD2200F608	RESISTOR,FIXED CARBON FILM	220 OHM 1/6 W 5% TA26	
		R113	79098761	0RD2201F608	RESISTOR,FIXED CARBON FILM	2.2K OHM 1/6 W 5% TA26	
		R114	79093004	0RD1001F608	RESISTOR,FIXED CARBON FILM	1K OHM 1/6 W 5% TA26	
		R115	79096375	0RN3301F408	RESISTOR,FIXED METAL FILM	3.3K OHM 1/6 W 1% TA26	
		R116	79096374	0RN2701F408	RESISTOR,FIXED METAL FILM	2.7K OHM 1/6 W 1% TA26	
		R117	79096339	0RD2700F608	RESISTOR,FIXED CARBON FILM	270 OHM 1/6 W 5% TA26	
		R119	79093006	0RD1003F608	RESISTOR,FIXED CARBON FILM	100K OHM 1/6 W 5% TA26	
		R130	79093006	0RD1003F608	RESISTOR,FIXED CARBON FILM	100K OHM 1/6 W 5% TA26	
△		T101	AF000435	6170RNGW12G	TRANSFORMER,SMPS[COIL]	EER2828 SAMWHA 2004 COMBI CLO	
△		V101	79098795	656-004C	VARIATOR,DRAWING	SVC681D-10A SAMWHA 4.0 CUT	
		ZD102	AF000672	0DZ222609AB	DIODE,ZENER	UZ-22BSB 26MM TP PYUNG CHANG	
*** CHASSIS ASSEMBLY ***							
		A44	AF000792	3141R-V017X	CHASSIS ASSEMBLY	VC8804P1M NA5ILL SCART MTK1389	
		260	AF000349	3210R-V011B	FRAME	COMBI 3 MOLD HIPS 60HR BK	
		261A	AF000430	5040H-1016U	RUBBER	VCR SLIM-COMBI OTHER DS08"D22	
		265	AF000413	4930R-0384A	HOLDER	POWER CORD	
		330	AF000342	3140R-V010A	CHASSIS	ONE BOARD PRESS SECC 0.8T	
		452	79097905	353-051A	SCREW,DRAWING	SPECIAL	
*** SUB ASSEMBLY , MAIN(VCR+DVD) ***							
		A46	AF000787	6885R-261CG	SUB PWB(PCB) ASSEMBLY	474200D71105F4 000000 80000000	
		323	AF000341	3111R-0089E	CASE ASSEMBLY	PRE AMP SLIM COMBI C-CORE A NO	
		BC91	79091008	636-004C	FILTER(CIRC),EMC	BEAD CORE BFS3550R2FD8,R T/P	
		BC92	79091008	636-004C	FILTER(CIRC),EMC	BEAD CORE BFS3550R2FD8,R T/P	
		C126	79096270	0CE2276H638	CAPACITOR,FIXED ELECTROLYTIC	220UF SMS,SG 25V 20% FM5 TP 5	
		C128	79092007	0CE3376D638	CAPACITOR,ELECTROLYTIC	330UF SMS 10V M FM5 TP5	
		C151	79096275	0CE4754K638	CAPACITOR,FIXED ELECTROLYTIC	4.7UF SRA,SS 50V 20% FM5 TP 5	
		C152	79096275	0CE4754K638	CAPACITOR,FIXED ELECTROLYTIC	4.7UF SRA,SS 50V 20% FM5 TP 5	
		C153	79097104	0CE1064F638	CAPACITOR,ELECTROLYTIC	10M SRA 16V M FM5 TP(5)	
		C154	79098705	0CE1074F638	CAPACITOR,ELECTROLYTIC	100U SRA 16V M FM5 TP(5)	
		C155	79097104	0CE1064F638	CAPACITOR,ELECTROLYTIC	10M SRA 16V M FM5 TP(5)	
		C162	79097104	0CE1064F638	CAPACITOR,ELECTROLYTIC	10M SRA 16V M FM5 TP(5)	
		C169	79097104	0CE1064F638	CAPACITOR,ELECTROLYTIC	10M SRA 16V M FM5 TP(5)	
		C201	79098705	0CE1074F638	CAPACITOR,ELECTROLYTIC	100U SRA 16V M FM5 TP(5)	
		C202	79092014	0CH1104K942	CAPACITOR,CHIP[CERAMIC M/L HD	0.1UF 50V Z Y5V(F) 1508 R/TP	
		C203	79092014	0CH1104K942	CAPACITOR,CHIP[CERAMIC M/L HD	0.1UF 50V Z Y5V(F) 1508 R/TP	
		C204	79092014	0CH1104K942	CAPACITOR,CHIP[CERAMIC M/L HD	0.1UF 50V Z Y5V(F) 1508 R/TP	
		C205	79097108	0CE4764F638	CAPACITOR,ELECTROLYTIC	47M SRA/SS 16V M FM5 TP(5)	
		C206	79097108	0CE4764F638	CAPACITOR,ELECTROLYTIC	47M SRA/SS 16V M FM5 TP(5)	
		C208	79092016	0CH1222K562	CAPACITOR,CHIP[CERAMIC M/L HD	2200PF 50V K X7R(X) 1608 R/TP	
		C210	79092014	0CH1104K942	CAPACITOR,CHIP[CERAMIC M/L HD	0.1UF 50V Z Y5V(F) 1508 R/TP	
		C211	AF000696	0CH1821K562	CAPACITOR,FIXED CERAMIC(Temp.c	820PF 50V 10% X7R(X) 1608 R/TP	
		C212	79092014	0CH1104K942	CAPACITOR,CHIP[CERAMIC M/L HD	0.1UF 50V Z Y5V(F) 1508 R/TP	
		C213	79097108	0CE4764F638	CAPACITOR,ELECTROLYTIC	47M SRA/SS 16V M FM5 TP(5)	
		C215	79092016	0CH1222K562	CAPACITOR,CHIP[CERAMIC M/L HD	2200PF 50V K X7R(X) 1608 R/TP	
		C216	79098714	0CH1102K562	CAPACITOR,FIXED CERAMIC(Temp.c	1000PF 50V 10% X7R(X) 1608 R/T	
		C221	79092014	0CH1104K942	CAPACITOR,CHIP[CERAMIC M/L HD	0.1UF 50V Z Y5V(F) 1508 R/TP	
		C222	79092014	0CH1104K942	CAPACITOR,CHIP[CERAMIC M/L HD	0.1UF 50V Z Y5V(F) 1508 R/TP	
		C223	79098709	0CE2274C638	CAPACITOR,ELECTROLYTIC	220M SRA 6.3V M FM5 TP(5)	
		C225	79098709	0CE2274C638	CAPACITOR,ELECTROLYTIC	220M SRA 6.3V M FM5 TP(5)	
		C226	79092014	0CH1104K942	CAPACITOR,CHIP[CERAMIC M/L HD	0.1UF 50V Z Y5V(F) 1508 R/TP	
		C227	79098709	0CE2274C638	CAPACITOR,ELECTROLYTIC	220M SRA 6.3V M FM5 TP(5)	
		C228	79092014	0CH1104K942	CAPACITOR,CHIP[CERAMIC M/L HD	0.1UF 50V Z Y5V(F) 1508 R/TP	
		C229	79098709	0CE2274C638	CAPACITOR,ELECTROLYTIC	220M SRA 6.3V M FM5 TP(5)	
		C301	79097104	0CE1064F638	CAPACITOR,ELECTROLYTIC	10M SRA 16V M FM5 TP(5)	
		C302	79097106	0CE2264F638	CAPACITOR,FIXED ELECTROLYTIC	22UF SRA,SS 16V 20% FM5 TP 5	
		C303	AF000273	0CH1122K562	CAPACITOR,FIXED CERAMIC(Temp.c	1200PF 50V 10% X7R(X) 1608 R/T	
		C304	79097108	0CE4764F638	CAPACITOR,ELECTROLYTIC	47M SRA/SS 16V M FM5 TP(5)	
		C305	AF000269	0CH1103K512	CAPA,CHIP CERAMIC M/L H.D F/S	0.0100UF 50V K B 1608 R/TP	
		C306	79096022	0CH1102K512	CAPACITOR,FIXED CERAMIC(TEMP.C	1000PF 50V 10% B(5YP) 1608 R/T	
		C307	79098702	0CE1054K638	CAPACITOR,ELECTROLYTIC	1.0M SRA/SS50V M FM5 TP(5)	
		C308	AF000290	0CQ1532K409	CAPACITOR,FIXED FILM	0.015UF S 50V 5% PE TP5	
		C309	79092025	0CH4221K412	CAPACITOR,CHIP[CERAMIC M/L TC	220P 50V J COG 1.6X0.8 R/TP	
		C310	79092025	0CH4221K412	CAPACITOR,CHIP[CERAMIC M/L TC	220P 50V J COG 1.6X0.8 R/TP	
		C311	79097108	0CE4764F638	CAPACITOR,ELECTROLYTIC	47M SRA/SS 16V M FM5 TP(5)	
		C312	AF000269	0CH1103K512	CAPA,CHIP CERAMIC M/L H.D F/S	0.0100UF 50V K B 1608 R/TP	
		C314	79097104	0CE1064F638	CAPACITOR,ELECTROLYTIC	10M SRA 16V M FM5 TP(5)	

TOSHIBA MODEL : SD-34VBSB

NSP : Not available as service parts.
 RUN DATE : 28-JUNE-04

S	AL	LOCA. NO.	TOSHIBA P/NO	LG PART NO.	DESCRIPTION	SPECIFICATION	REMARKS
		C315	79096269	0CE2254K638	CAPACITOR, FIXED ELECTROLYTIC	2.2UF SRA,SS 50V 20% FM5 TP 5	
		C316	79097104	0CE1064F638	CAPACITOR,ELECTROLYTIC	10M SRA 16V M FM5 TP(5)	
		C317	AF000269	0CH1103K512	CAPA,CHIP CERAMIC M/L H.D F/S	0.0100UF 50V K B 1608 R/TP	
		C318	79098702	0CE1054K638	CAPACITOR,ELECTROLYTIC	1.0M SRA/SS50V M FM5 TP(5)	
		C319	AF000269	0CH1103K512	CAPA,CHIP CERAMIC M/L H.D F/S	0.0100UF 50V K B 1608 R/TP	
		C320	79098702	0CE1054K638	CAPACITOR,ELECTROLYTIC	1.0M SRA/SS50V M FM5 TP(5)	
		C321	AF000286	0CH4680K412	CAPACITOR, FIXED CERAMIC(HIGH D	68PF 50V 5% NP0 1608 R/TP	
		C322	79098703	0CE1063F638	CAPACITOR,AL.ELECTROLYTIC	10M SRE/SE 16V M FM5 TP(5)	
		C323	79097104	0CE1064F638	CAPACITOR,ELECTROLYTIC	10M SRA 16V M FM5 TP(5)	
		C324	79096275	0CE4754K638	CAPACITOR, FIXED ELECTROLYTIC	4.7UF SRA,SS 50V 20% FM5 TP 5	
		C325	79097104	0CE1064F638	CAPACITOR,ELECTROLYTIC	10M SRA 16V M FM5 TP(5)	
		C326	AF000269	0CH1103K512	CAPA,CHIP CERAMIC M/L H.D F/S	0.0100UF 50V K B 1608 R/TP	
		C327	AF000266	0CE1053K638	CAPACITOR,AL.ELECTROLYTIC	1.0M SRE/SE50V M FM5 TP(5)	
		C328	AF000269	0CH1103K512	CAPA,CHIP CERAMIC M/L H.D F/S	0.0100UF 50V K B 1608 R/TP	
		C329	AF000269	0CH1103K512	CAPA,CHIP CERAMIC M/L H.D F/S	0.0100UF 50V K B 1608 R/TP	
		C330	AF000270	0CH1104K512	CAPACITOR, FIXED CERAMIC(Temp.c	0.1UF 50V 10% B(5YP) 1608 R/TP	
		C331	79097106	0CE2264F638	CAPACITOR, FIXED ELECTROLYTIC	22UF SRA,SS 16V 20% FM5 TP 5	
		C333	79097108	0CE4764F638	CAPACITOR,ELECTROLYTIC	47M SRA/SS 16V M FM5 TP(5)	
		C334	AF000269	0CH1103K512	CAPA,CHIP CERAMIC M/L H.D F/S	0.0100UF 50V K B 1608 R/TP	
		C335	AF000269	0CH1103K512	CAPA,CHIP CERAMIC M/L H.D F/S	0.0100UF 50V K B 1608 R/TP	
		C336	79096615	0CE4763F638	CAPACITOR,ELECTROLYTIC	47M SRE 16V M FM5 TP(5)	
		C337	79098702	0CE1054K638	CAPACITOR,ELECTROLYTIC	1.0M SRA/SS50V M FM5 TP(5)	
		C338	AF000276	0CH1473K562	CAPACITOR,CHIP[CERAMIC M/L HD	47000PF 50V K X7R(X) 1608 R/TP	
		C339	79098702	0CE1054K638	CAPACITOR,ELECTROLYTIC	1.0M SRA/SS50V M FM5 TP(5)	
		C340	AF000276	0CH1473K562	CAPACITOR,CHIP[CERAMIC M/L HD	47000PF 50V K X7R(X) 1608 R/TP	
		C341	79092017	0CH1223K942	CAPACITOR,CHIP[CERAMIC M/L HD	0.022UF 50V Z Y5V(F) 1508 R/TP	
		C342	AF000270	0CH1104K512	CAPACITOR, FIXED CERAMIC(Temp.c	0.1UF 50V 10% B(5YP) 1608 R/TP	
		C343	AF000276	0CH1473K562	CAPACITOR,CHIP[CERAMIC M/L HD	47000PF 50V K X7R(X) 1608 R/TP	
		C345	AF000276	0CH1473K562	CAPACITOR,CHIP[CERAMIC M/L HD	47000PF 50V K X7R(X) 1608 R/TP	
		C346	79097108	0CE4764F638	CAPACITOR,ELECTROLYTIC	47M SRA/SS 16V M FM5 TP(5)	
		C347	AF000266	0CE1053K638	CAPACITOR,AL.ELECTROLYTIC	1.0M SRE/SE50V M FM5 TP(5)	
		C348	79098702	0CE1054K638	CAPACITOR,ELECTROLYTIC	1.0M SRA/SS50V M FM5 TP(5)	
		C349	79097108	0CE4764F638	CAPACITOR,ELECTROLYTIC	47M SRA/SS 16V M FM5 TP(5)	
		C350	AF000270	0CH1104K512	CAPACITOR, FIXED CERAMIC(Temp.c	0.1UF 50V 10% B(5YP) 1608 R/TP	
		C351	79092025	0CH4221K412	CAPACITOR,CHIP[CERAMIC M/L TC	220P 50V J COG 1.6X0.8 R/TP	
		C353	79098702	0CE1054K638	CAPACITOR,ELECTROLYTIC	1.0M SRA/SS50V M FM5 TP(5)	
		C355	AF000270	0CH1104K512	CAPACITOR, FIXED CERAMIC(Temp.c	0.1UF 50V 10% B(5YP) 1608 R/TP	
		C356	79098702	0CE1054K638	CAPACITOR,ELECTROLYTIC	1.0M SRA/SS50V M FM5 TP(5)	
		C357	79098702	0CE1054K638	CAPACITOR,ELECTROLYTIC	1.0M SRA/SS50V M FM5 TP(5)	
		C358	AF000286	0CH4680K412	CAPACITOR, FIXED CERAMIC(HIGH D	68PF 50V 5% NP0 1608 R/TP	
		C359	79098702	0CE1054K638	CAPACITOR,ELECTROLYTIC	1.0M SRA/SS50V M FM5 TP(5)	
		C360	79096022	0CH1102K512	CAPACITOR, FIXED CERAMIC(TEMP.C	1000PF 50V 10% B(5YP) 1608 R/T	
		C361	79092017	0CH1223K942	CAPACITOR,CHIP[CERAMIC M/L HD	0.022UF 50V Z Y5V(F) 1508 R/TP	
		C362	79097108	0CE4764F638	CAPACITOR,ELECTROLYTIC	47M SRA/SS 16V M FM5 TP(5)	
		C363	AF000269	0CH1103K512	CAPA,CHIP CERAMIC M/L H.D F/S	0.0100UF 50V K B 1608 R/TP	
		C366	AF000269	0CH1103K512	CAPA,CHIP CERAMIC M/L H.D F/S	0.0100UF 50V K B 1608 R/TP	
		C367	AF000270	0CH1104K512	CAPACITOR, FIXED CERAMIC(Temp.c	0.1UF 50V 10% B(5YP) 1608 R/TP	
		C368	AF000278	0CH1822K562	CAPACITOR, FIXED CERAMIC(Temp.c	8200PF 50V 10% X7R(X) 1608 R/T	
		C370	AF000288	0CH4820K412	CHIP CAPA CERAMIC M/L T.C F/S	82P 50V J COG 1.6X0.8 R/TP	
		C371	AF000288	0CH4820K412	CHIP CAPA CERAMIC M/L T.C F/S	82P 50V J COG 1.6X0.8 R/TP	
		C372	AF000288	0CH4820K412	CHIP CAPA CERAMIC M/L T.C F/S	82P 50V J COG 1.6X0.8 R/TP	
		C374	AF000270	0CH1104K512	CAPACITOR, FIXED CERAMIC(Temp.c	0.1UF 50V 10% B(5YP) 1608 R/TP	
		C375	AF000270	0CH1104K512	CAPACITOR, FIXED CERAMIC(Temp.c	0.1UF 50V 10% B(5YP) 1608 R/TP	
		C376	AF000270	0CH1104K512	CAPACITOR, FIXED CERAMIC(Temp.c	0.1UF 50V 10% B(5YP) 1608 R/TP	
		C401	79092014	0CH1104K942	CAPACITOR,CHIP[CERAMIC M/L HD	0.1UF 50V Z Y5V(F) 1508 R/TP	
		C402	79092014	0CH1104K942	CAPACITOR,CHIP[CERAMIC M/L HD	0.1UF 50V Z Y5V(F) 1508 R/TP	
		C403	79097104	0CE1064F638	CAPACITOR,ELECTROLYTIC	10M SRA 16V M FM5 TP(5)	
		C404	79098715	0CH1105D942	CAPACITOR,CHIP[CERAMIC M/L HD	1UF 10V Z Y5V(F) 1508 R/TP	
		C405	79098705	0CE1074F638	CAPACITOR,ELECTROLYTIC	100U SRA 16V M FM5 TP(5)	
		C406	79098705	0CE1074F638	CAPACITOR,ELECTROLYTIC	100U SRA 16V M FM5 TP(5)	
		C407	79092014	0CH1104K942	CAPACITOR,CHIP[CERAMIC M/L HD	0.1UF 50V Z Y5V(F) 1508 R/TP	
		C408	79097106	0CE2264F638	CAPACITOR, FIXED ELECTROLYTIC	22UF SRA,SS 16V 20% FM5 TP 5	
		C409	79097106	0CE2264F638	CAPACITOR, FIXED ELECTROLYTIC	22UF SRA,SS 16V 20% FM5 TP 5	
		C410	79097106	0CE2264F638	CAPACITOR, FIXED ELECTROLYTIC	22UF SRA,SS 16V 20% FM5 TP 5	
		C411	79097106	0CE2264F638	CAPACITOR, FIXED ELECTROLYTIC	22UF SRA,SS 16V 20% FM5 TP 5	
		C412	AF000692	0CE2274F638	CAPACITOR, FIXED ELECTROLYTIC	220UF SRA,SS 16V 20% FM5 TP 5	
		C413	79098714	0CH1102K562	CAPACITOR, FIXED CERAMIC(Temp.c	1000PF 50V 10% X7R(X) 1608 R/T	
		C414	79098714	0CH1102K562	CAPACITOR, FIXED CERAMIC(Temp.c	1000PF 50V 10% X7R(X) 1608 R/T	
		C415	79098722	0CH4271K412	CAPACITOR, FIXED CERAMIC(HIGH D	270PF 50V 5% NP0 1608 R/TP	
		C416	79098722	0CH4271K412	CAPACITOR, FIXED CERAMIC(HIGH D	270PF 50V 5% NP0 1608 R/TP	
		C417	79098722	0CH4271K412	CAPACITOR, FIXED CERAMIC(HIGH D	270PF 50V 5% NP0 1608 R/TP	
		C418	79098722	0CH4271K412	CAPACITOR, FIXED CERAMIC(HIGH D	270PF 50V 5% NP0 1608 R/TP	
		C419	79092014	0CH1104K942	CAPACITOR,CHIP[CERAMIC M/L HD	0.1UF 50V Z Y5V(F) 1508 R/TP	
		C420	79098705	0CE1074F638	CAPACITOR,ELECTROLYTIC	100U SRA 16V M FM5 TP(5)	
		C421	79098714	0CH1102K562	CAPACITOR, FIXED CERAMIC(Temp.c	1000PF 50V 10% X7R(X) 1608 R/T	

TOSHIBA MODEL : SD-34VBSB

NSP : Not available as service parts.
 RUN DATE : 28-JUNE-04

S	AL	LOCA. NO.	TOSHIBA P/NO	LG PART NO.	DESCRIPTION	SPECIFICATION	REMARKS
		C422	79098714	0CH1102K562	CAPACITOR, FIXED CERAMIC(Temp.c	1000PF 50V 10% X7R(X) 1608 R/T	
		C423	79097106	0CE2264F638	CAPACITOR, FIXED ELECTROLYTIC	22UF SRA, SS 16V 20% FM5 TP 5	
		C424	79097106	0CE2264F638	CAPACITOR, FIXED ELECTROLYTIC	22UF SRA, SS 16V 20% FM5 TP 5	
		C425	79092014	0CH1104K942	CAPACITOR, CHIP[CERAMIC M/L HD	0.1UF 50V Z Y5V(F) 1508 R/TP	
		C426	79098709	0CE2274C638	CAPACITOR, ELECTROLYTIC	220M SRA 6.3V M FM5 TP(5)	
		C427	79092014	0CH1104K942	CAPACITOR, CHIP[CERAMIC M/L HD	0.1UF 50V Z Y5V(F) 1508 R/TP	
		C428	79098705	0CE1074F638	CAPACITOR, ELECTROLYTIC	100U SRA 16V M FM5 TP(5)	
		C500	79096020	0CE4775C638	CAPACITOR, FIXED ELECTROLYTIC	470UF SR, SV 6.3V 20% FM5 TP 5	
		C501	79092014	0CH1104K942	CAPACITOR, CHIP[CERAMIC M/L HD	0.1UF 50V Z Y5V(F) 1508 R/TP	
		C502	79097108	0CE4764F638	CAPACITOR, ELECTROLYTIC	47M SRA/SS 16V M FM5 TP(5)	
		C503	79098709	0CE2274C638	CAPACITOR, ELECTROLYTIC	220M SRA 6.3V M FM5 TP(5)	
		C504	79098709	0CE2274C638	CAPACITOR, ELECTROLYTIC	220M SRA 6.3V M FM5 TP(5)	
		C505	79097108	0CE4764F638	CAPACITOR, ELECTROLYTIC	47M SRA/SS 16V M FM5 TP(5)	
		C506	79092017	0CH1223K942	CAPACITOR, CHIP[CERAMIC M/L HD	0.022UF 50V Z Y5V(F) 1508 R/TP	
		C508	79092014	0CH1104K942	CAPACITOR, CHIP[CERAMIC M/L HD	0.1UF 50V Z Y5V(F) 1508 R/TP	
		C509	79092024	0CH4220K412	CAPA, CHIP CERAMIC M/L T.C F/S	22P 50V J COG 1.6X0.8 R/TP	
		C511	79092014	0CH1104K942	CAPACITOR, CHIP[CERAMIC M/L HD	0.1UF 50V Z Y5V(F) 1508 R/TP	
		C512	79096022	0CH1102K512	CAPACITOR, FIXED CERAMIC(TEMP.C	1000PF 50V 10% B(5YP) 1608 R/T	
		C513	79096022	0CH1102K512	CAPACITOR, FIXED CERAMIC(TEMP.C	1000PF 50V 10% B(5YP) 1608 R/T	
		C514	AF000280	0CH4120K412	CHIP CAPA CERAMIC M/L T.C F/S	12P 50V J COG 1.6X0.8 R/TP	
		C515	AF000281	0CH4150K412	CAPA, CHIP CERAMIC M/L T.C F/S	15P 50V J COG 1.6X0.8 R/TP	
		C516	79092017	0CH1223K942	CAPACITOR, CHIP[CERAMIC M/L HD	0.022UF 50V Z Y5V(F) 1508 R/TP	
		C518	79092013	0CH1103K562	CAPACITOR, FIXED CERAMIC(TEMP.C	0.01UF 50V 10% X7R(X) 1608 R/T	
		C519	79092014	0CH1104K942	CAPACITOR, CHIP[CERAMIC M/L HD	0.1UF 50V Z Y5V(F) 1508 R/TP	
		C520	79096022	0CH1102K512	CAPACITOR, FIXED CERAMIC(TEMP.C	1000PF 50V 10% B(5YP) 1608 R/T	
		C521	79096022	0CH1102K512	CAPACITOR, FIXED CERAMIC(TEMP.C	1000PF 50V 10% B(5YP) 1608 R/T	
		C523	79096269	0CE2254K638	CAPACITOR, FIXED ELECTROLYTIC	2.2UF SRA, SS 50V 20% FM5 TP 5	
		C524	79097108	0CE4764F638	CAPACITOR, ELECTROLYTIC	47M SRA/SS 16V M FM5 TP(5)	
		C525	AF000271	0CH1105F942	CAPACITOR, FIXED CERAMIC(Temp.c	1000000PF 16V 80%,-20% Y5V(F)	
		C526	79097109	0CE4764J638	CAPACITOR, AL.ELECTROLYTIC	47UF SRA, SS 35V M FM5 TP 5	
		C527	79092025	0CH4221K412	CAPACITOR, CHIP[CERAMIC M/L TC	220P 50V J COG 1.6X0.8 R/TP	
		C533	79096022	0CH1102K512	CAPACITOR, FIXED CERAMIC(TEMP.C	1000PF 50V 10% B(5YP) 1608 R/T	
		C534	79096275	0CE4754K638	CAPACITOR, FIXED ELECTROLYTIC	4.7UF SRA, SS 50V 20% FM5 TP 5	
		C535	79096275	0CE4754K638	CAPACITOR, FIXED ELECTROLYTIC	4.7UF SRA, SS 50V 20% FM5 TP 5	
		C543	AF000274	0CH1222K512	CAPACITOR, CHIP[CERAMIC M/L HD	2200PF 50V K B 1608 R/TP	
		C544	79092021	0CH1473H942	CAPA, CHIP CERAMIC M/L H.D F/S	0.0470UF 25V Z Y5V(F) 1608 R/T	
		C545	79092019	0CH1333K562	CAPACITOR, CHIP[CERAMIC M/L HD	0.033UF 50V K X7R(X) 1508 R/TP	
		C546	79097109	0CE4764J638	CAPACITOR, AL.ELECTROLYTIC	47UF SRA, SS 35V M FM5 TP 5	
		C547	79092013	0CH1103K562	CAPACITOR, FIXED CERAMIC(TEMP.C	0.01UF 50V 10% X7R(X) 1608 R/T	
		C551	79092019	0CH1333K562	CAPACITOR, CHIP[CERAMIC M/L HD	0.033UF 50V K X7R(X) 1508 R/TP	
		C552	79092013	0CH1103K562	CAPACITOR, FIXED CERAMIC(TEMP.C	0.01UF 50V 10% X7R(X) 1608 R/T	
		C561	79098709	0CE2274C638	CAPACITOR, ELECTROLYTIC	220M SRA 6.3V M FM5 TP(5)	
		C564	79096022	0CH1102K512	CAPACITOR, FIXED CERAMIC(TEMP.C	1000PF 50V 10% B(5YP) 1608 R/T	
		C567	79096022	0CH1102K512	CAPACITOR, FIXED CERAMIC(TEMP.C	1000PF 50V 10% B(5YP) 1608 R/T	
		C570	AF000281	0CH4150K412	CAPA, CHIP CERAMIC M/L T.C F/S	15P 50V J COG 1.6X0.8 R/TP	
		C571	AF000281	0CH4150K412	CAPA, CHIP CERAMIC M/L T.C F/S	15P 50V J COG 1.6X0.8 R/TP	
		C575	79096022	0CH1102K512	CAPACITOR, FIXED CERAMIC(TEMP.C	1000PF 50V 10% B(5YP) 1608 R/T	
		C576	79098721	0CH4220K412	CAPACITOR, CHIP[CERAMIC M/L TC	27PF 50V J NPO 1608 R/TP	
		C577	79092017	0CH1223K942	CAPACITOR, CHIP[CERAMIC M/L HD	0.022UF 50V Z Y5V(F) 1508 R/TP	
		C581	79092013	0CH1103K562	CAPACITOR, FIXED CERAMIC(TEMP.C	0.01UF 50V 10% X7R(X) 1608 R/T	
		C582	79092013	0CH1103K562	CAPACITOR, FIXED CERAMIC(TEMP.C	0.01UF 50V 10% X7R(X) 1608 R/T	
		C583	AF000271	0CH1105F942	CAPACITOR, FIXED CERAMIC(Temp.c	1000000PF 16V 80%,-20% Y5V(F)	
		C596	79092014	0CH1104K942	CAPACITOR, CHIP[CERAMIC M/L HD	0.1UF 50V Z Y5V(F) 1508 R/TP	
		C5A3	79092014	0CH1104K942	CAPACITOR, CHIP[CERAMIC M/L HD	0.1UF 50V Z Y5V(F) 1508 R/TP	
		C5A4	79092013	0CH1103K562	CAPACITOR, FIXED CERAMIC(TEMP.C	0.01UF 50V 10% X7R(X) 1608 R/T	
		C5A5	79098702	0CE1054K638	CAPACITOR, ELECTROLYTIC	1.0M SRA/SS50V M FM5 TP(5)	
		C5K1	79092014	0CH1104K942	CAPACITOR, CHIP[CERAMIC M/L HD	0.1UF 50V Z Y5V(F) 1508 R/TP	
		C5L1	AF000271	0CH1105F942	CAPACITOR, FIXED CERAMIC(Temp.c	1000000PF 16V 80%,-20% Y5V(F)	
		C5L6	79096022	0CH1102K512	CAPACITOR, FIXED CERAMIC(TEMP.C	1000PF 50V 10% B(5YP) 1608 R/T	
		C5P1	79092013	0CH1103K562	CAPACITOR, FIXED CERAMIC(TEMP.C	0.01UF 50V 10% X7R(X) 1608 R/T	
		C5P2	79092013	0CH1103K562	CAPACITOR, FIXED CERAMIC(TEMP.C	0.01UF 50V 10% X7R(X) 1608 R/T	
		C5S1	79096597	0CH4430K416	CAPACITOR, FIXED CERAMIC(High d	43PF 50V J NPO 2012 R/TP	
		C5S3	79092017	0CH1223K942	CAPACITOR, CHIP[CERAMIC M/L HD	0.022UF 50V Z Y5V(F) 1508 R/TP	
		C601	79098715	0CH1105D942	CAPACITOR, CHIP[CERAMIC M/L HD	1UF 10V Z Y5V(F) 1508 R/TP	
		C602	79098715	0CH1105D942	CAPACITOR, CHIP[CERAMIC M/L HD	1UF 10V Z Y5V(F) 1508 R/TP	
		C603	79098715	0CH1105D942	CAPACITOR, CHIP[CERAMIC M/L HD	1UF 10V Z Y5V(F) 1508 R/TP	
		C604	79098715	0CH1105D942	CAPACITOR, CHIP[CERAMIC M/L HD	1UF 10V Z Y5V(F) 1508 R/TP	
		C605	79098715	0CH1105D942	CAPACITOR, CHIP[CERAMIC M/L HD	1UF 10V Z Y5V(F) 1508 R/TP	
		C607	79092014	0CH1104K942	CAPACITOR, CHIP[CERAMIC M/L HD	0.1UF 50V Z Y5V(F) 1508 R/TP	
		C608	79092014	0CH1104K942	CAPACITOR, CHIP[CERAMIC M/L HD	0.1UF 50V Z Y5V(F) 1508 R/TP	
		C609	79092014	0CH1104K942	CAPACITOR, CHIP[CERAMIC M/L HD	0.1UF 50V Z Y5V(F) 1508 R/TP	
		C610	79092014	0CH1104K942	CAPACITOR, CHIP[CERAMIC M/L HD	0.1UF 50V Z Y5V(F) 1508 R/TP	
		C612	79096154	0CH4331K412	CAPACITOR, CHIP[CERAMIC M/L TC	330P 50V J COG 1.6X0.8 R/TP	
		C613	AF000694	0CH1473K942	CAPACITOR, FIXED CERAMIC(Temp.c	0.047UF 50V 80%,-20% Y5V(F) 16	
		C614	79096609	0CH1153K562	CAPACITOR, FIXED CERAMIC(Temp.c	0.015UF 50V 10% X7R(X) 1608 R/	

TOSHIBA MODEL : SD-34VBSB

NSP : Not available as service parts.
 RUN DATE : 28-JUNE-04

S	AL	LOCA. NO.	TOSHIBA P/NO	LG PART NO.	DESCRIPTION	SPECIFICATION	REMARKS
		C615	79092014	0CH1104K942	CAPACITOR,CHIP CERAMIC M/L HD	0.1UF 50V Z Y5V(F) 1508 R/TP	
		C617	79096154	0CH4331K412	CAPACITOR,CHIP CERAMIC M/L TC	330P 50V J COG 1.6X0.8 R/TP	
		C618	79098716	0CH1152K562	CAPACITOR,FIXED CERAMIC(Temp.c	1500PF 50V 10% X7R(X) 1608 R/T	
		C619	79092014	0CH1104K942	CAPACITOR,CHIP CERAMIC M/L HD	0.1UF 50V Z Y5V(F) 1508 R/TP	
		C620	79092014	0CH1104K942	CAPACITOR,CHIP CERAMIC M/L HD	0.1UF 50V Z Y5V(F) 1508 R/TP	
		C621	79092014	0CH1104K942	CAPACITOR,CHIP CERAMIC M/L HD	0.1UF 50V Z Y5V(F) 1508 R/TP	
		C622	79092014	0CH1104K942	CAPACITOR,CHIP CERAMIC M/L HD	0.1UF 50V Z Y5V(F) 1508 R/TP	
		C623	79092014	0CH1104K942	CAPACITOR,CHIP CERAMIC M/L HD	0.1UF 50V Z Y5V(F) 1508 R/TP	
		C624	79092014	0CH1104K942	CAPACITOR,CHIP CERAMIC M/L HD	0.1UF 50V Z Y5V(F) 1508 R/TP	
		C625	79092014	0CH1104K942	CAPACITOR,CHIP CERAMIC M/L HD	0.1UF 50V Z Y5V(F) 1508 R/TP	
		C626	79092014	0CH1104K942	CAPACITOR,CHIP CERAMIC M/L HD	0.1UF 50V Z Y5V(F) 1508 R/TP	
		C627	79092014	0CH1104K942	CAPACITOR,CHIP CERAMIC M/L HD	0.1UF 50V Z Y5V(F) 1508 R/TP	
		C628	79092014	0CH1104K942	CAPACITOR,CHIP CERAMIC M/L HD	0.1UF 50V Z Y5V(F) 1508 R/TP	
		C629	79092014	0CH1104K942	CAPACITOR,CHIP CERAMIC M/L HD	0.1UF 50V Z Y5V(F) 1508 R/TP	
		C630	79092014	0CH1104K942	CAPACITOR,CHIP CERAMIC M/L HD	0.1UF 50V Z Y5V(F) 1508 R/TP	
		C631	79092014	0CH1104K942	CAPACITOR,CHIP CERAMIC M/L HD	0.1UF 50V Z Y5V(F) 1508 R/TP	
		C633	79092014	0CH1104K942	CAPACITOR,CHIP CERAMIC M/L HD	0.1UF 50V Z Y5V(F) 1508 R/TP	
		C636	79098720	0CH4180K412	CAPACITOR,CHIP CERAMIC M/L TC	18P 50V J COG 1.6X0.8 R/TP	
		C637	AF000280	0CH4120K412	CHIP CAPA CERAMIC M/L T.C F/S	12P 50V J COG 1.6X0.8 R/TP	
		C640	79092014	0CH1104K942	CAPACITOR,CHIP CERAMIC M/L HD	0.1UF 50V Z Y5V(F) 1508 R/TP	
		C641	79092014	0CH1104K942	CAPACITOR,CHIP CERAMIC M/L HD	0.1UF 50V Z Y5V(F) 1508 R/TP	
		C643	79092014	0CH1104K942	CAPACITOR,CHIP CERAMIC M/L HD	0.1UF 50V Z Y5V(F) 1508 R/TP	
		C646	79092014	0CH1104K942	CAPACITOR,CHIP CERAMIC M/L HD	0.1UF 50V Z Y5V(F) 1508 R/TP	
		C649	AF000695	0CH1474H942	CAPACITOR,FIXED CERAMIC(Temp.c	0.47UF 25V 80%,-20% Y5V(F) 160	
		C651	79096598	0CH4391K412	CAPACITOR,CHIP CERAMIC M/L TC	390PF 50V J NP0 1508 R/TP	
		C652	79092014	0CH1104K942	CAPACITOR,CHIP CERAMIC M/L HD	0.1UF 50V Z Y5V(F) 1508 R/TP	
		C653	AF000694	0CH1473K942	CAPACITOR,FIXED CERAMIC(Temp.c	0.047UF 50V 80%,-20% Y5V(F) 16	
		C654	AF000694	0CH1473K942	CAPACITOR,FIXED CERAMIC(Temp.c	0.047UF 50V 80%,-20% Y5V(F) 16	
		C655	79098715	0CH1105D942	CAPACITOR,CHIP CERAMIC M/L HD	1UF 10V Z Y5V(F) 1508 R/TP	
		C657	79092014	0CH1104K942	CAPACITOR,CHIP CERAMIC M/L HD	0.1UF 50V Z Y5V(F) 1508 R/TP	
		C658	79092014	0CH1104K942	CAPACITOR,CHIP CERAMIC M/L HD	0.1UF 50V Z Y5V(F) 1508 R/TP	
		C659	79098715	0CH1105D942	CAPACITOR,CHIP CERAMIC M/L HD	1UF 10V Z Y5V(F) 1508 R/TP	
		C660	79092014	0CH1104K942	CAPACITOR,CHIP CERAMIC M/L HD	0.1UF 50V Z Y5V(F) 1508 R/TP	
		C661	79092014	0CH1104K942	CAPACITOR,CHIP CERAMIC M/L HD	0.1UF 50V Z Y5V(F) 1508 R/TP	
		C662	79098714	0CH1102K562	CAPACITOR,FIXED CERAMIC(Temp.c	1000PF 50V 10% X7R(X) 1608 R/T	
		C663	AF000283	0CH4200K412	CAPACITOR,FIXED CERAMIC(High d	20PF 50V 5% NP0 1608 R/TP	
		C664	79092014	0CH1104K942	CAPACITOR,CHIP CERAMIC M/L HD	0.1UF 50V Z Y5V(F) 1508 R/TP	
		C665	79092019	0CH1333K562	CAPACITOR,CHIP CERAMIC M/L HD	0.033UF 50V K X7R(X) 1508 R/TP	
		C667	79092014	0CH1104K942	CAPACITOR,CHIP CERAMIC M/L HD	0.1UF 50V Z Y5V(F) 1508 R/TP	
		C668	79092014	0CH1104K942	CAPACITOR,CHIP CERAMIC M/L HD	0.1UF 50V Z Y5V(F) 1508 R/TP	
		C669	79092014	0CH1104K942	CAPACITOR,CHIP CERAMIC M/L HD	0.1UF 50V Z Y5V(F) 1508 R/TP	
		C670	79092014	0CH1104K942	CAPACITOR,CHIP CERAMIC M/L HD	0.1UF 50V Z Y5V(F) 1508 R/TP	
		C671	79092014	0CH1104K942	CAPACITOR,CHIP CERAMIC M/L HD	0.1UF 50V Z Y5V(F) 1508 R/TP	
		C673	79092014	0CH1104K942	CAPACITOR,CHIP CERAMIC M/L HD	0.1UF 50V Z Y5V(F) 1508 R/TP	
		C674	79092014	0CH1104K942	CAPACITOR,CHIP CERAMIC M/L HD	0.1UF 50V Z Y5V(F) 1508 R/TP	
		C675	79092013	0CH1103K562	CAPACITOR,FIXED CERAMIC(TEMP.C	0.01UF 50V 10% X7R(X) 1608 R/T	
		C676	79092016	0CH1222K562	CAPACITOR,CHIP CERAMIC M/L HD	2200PF 50V K X7R(X) 1608 R/TP	
		C677	79092014	0CH1104K942	CAPACITOR,CHIP CERAMIC M/L HD	0.1UF 50V Z Y5V(F) 1508 R/TP	
		C678	79092014	0CH1104K942	CAPACITOR,CHIP CERAMIC M/L HD	0.1UF 50V Z Y5V(F) 1508 R/TP	
		C679	79092014	0CH1104K942	CAPACITOR,CHIP CERAMIC M/L HD	0.1UF 50V Z Y5V(F) 1508 R/TP	
		C683	79092014	0CH1104K942	CAPACITOR,CHIP CERAMIC M/L HD	0.1UF 50V Z Y5V(F) 1508 R/TP	
		C684	79092014	0CH1104K942	CAPACITOR,CHIP CERAMIC M/L HD	0.1UF 50V Z Y5V(F) 1508 R/TP	
		C685	79092014	0CH1104K942	CAPACITOR,CHIP CERAMIC M/L HD	0.1UF 50V Z Y5V(F) 1508 R/TP	
		C686	79092014	0CH1104K942	CAPACITOR,CHIP CERAMIC M/L HD	0.1UF 50V Z Y5V(F) 1508 R/TP	
		C687	79092014	0CH1104K942	CAPACITOR,CHIP CERAMIC M/L HD	0.1UF 50V Z Y5V(F) 1508 R/TP	
		C695	79092014	0CH1104K942	CAPACITOR,CHIP CERAMIC M/L HD	0.1UF 50V Z Y5V(F) 1508 R/TP	
		C698	79092014	0CH1104K942	CAPACITOR,CHIP CERAMIC M/L HD	0.1UF 50V Z Y5V(F) 1508 R/TP	
		C6A9	79092025	0CH4221K412	CAPACITOR,CHIP CERAMIC M/L TC	220P 50V J COG 1.6X0.8 R/TP	
		C6B7	79092014	0CH1104K942	CAPACITOR,CHIP CERAMIC M/L HD	0.1UF 50V Z Y5V(F) 1508 R/TP	
		C6B9	79097108	0CE4764F638	CAPACITOR,ELECTROLYTIC	47M SRA/SS 16V M FM5 TP(5)	
		C6C1	79097108	0CE4764F638	CAPACITOR,ELECTROLYTIC	47M SRA/SS 16V M FM5 TP(5)	
		C6C2	79097106	0CE2264F638	CAPACITOR,FIXED ELECTROLYTIC	22UF SRA,SS 16V 20% FM5 TP 5	
		C6C3	79097104	0CE1064F638	CAPACITOR,ELECTROLYTIC	10M SRA 16V M FM5 TP(5)	
		C6C4	79097104	0CE1064F638	CAPACITOR,ELECTROLYTIC	10M SRA 16V M FM5 TP(5)	
		C6C5	79097108	0CE4764F638	CAPACITOR,ELECTROLYTIC	47M SRA/SS 16V M FM5 TP(5)	
		C6C6	79097104	0CE1064F638	CAPACITOR,ELECTROLYTIC	10M SRA 16V M FM5 TP(5)	
		C6C7	79098705	0CE1074F638	CAPACITOR,ELECTROLYTIC	100U SRA 16V M FM5 TP(5)	
		C6C9	79098709	0CE2274C638	CAPACITOR,ELECTROLYTIC	220M SRA 6.3V M FM5 TP(5)	
		C6D4	79098709	0CE2274C638	CAPACITOR,ELECTROLYTIC	220M SRA 6.3V M FM5 TP(5)	
		C6F7	79092014	0CH1104K942	CAPACITOR,CHIP CERAMIC M/L HD	0.1UF 50V Z Y5V(F) 1508 R/TP	
		C6G4	79092014	0CH1104K942	CAPACITOR,CHIP CERAMIC M/L HD	0.1UF 50V Z Y5V(F) 1508 R/TP	
		C702	79096020	0CE4775C638	CAPACITOR,FIXED ELECTROLYTIC	470UF SR,SV 6.3V 20% FM5 TP 5	
		C703	AF000269	0CH1103K512	CAPA,CHIP CERAMIC M/L H.D F/S	0.0100UF 50V K B 1608 R/TP	
		C704	79096022	0CH1102K512	CAPACITOR,FIXED CERAMIC(TEMP.C	1000PF 50V 10% B(5YP) 1608 R/T	
		C706	79092026	0CH4330K412	CAPACITOR,CHIP CERAMIC M/L TC	33P 50V J COG 1.6X0.8 R/TP	

TOSHIBA MODEL : SD-34VBSB

NSP : Not available as service parts.
 RUN DATE : 28-JUNE-04

S	AL	LOCA. NO.	TOSHIBA P/NO	LG PART NO.	DESCRIPTION	SPECIFICATION	REMARKS
		C707	AF000286	0CH4680K412	CAPACITOR, FIXED CERAMIC(HIGH D	68PF 50V 5% NP0 1608 R/TP	
		C709	79092014	0CH1104K942	CAPACITOR,CHIP CERAMIC M/L HD	0.1UF 50V Z Y5V(F) 1508 R/TP	
		C710	79096275	0CE4754K638	CAPACITOR, FIXED ELECTROLYTIC	4.7UF SRA,SS 50V 20% FM5 TP 5	
		C712	AF000269	0CH1103K512	CAPA,CHIP CERAMIC M/L H.D F/S	0.0100UF 50V K B 1608 R/TP	
		C713	79092027	0CH4560K412	CAPA,CHIP CERAMIC M/L T.C F/S	56P 50V J COG 1.6X0.8 R/TP	
		C714	79092027	0CH4560K412	CAPA,CHIP CERAMIC M/L T.C F/S	56P 50V J COG 1.6X0.8 R/TP	
		C715	AF000279	0CH4050K012	CAPACITOR, FIXED CERAMIC(HIGH D	5PF 50V O.25 PF NP0 1608 R/TP	
		C716	79096152	0CH4100K412	CAPACITOR,CHIP CERAMIC M/L TC	10PF 50V J NP0 1608 R/TP	
		C717	AF000269	0CH1103K512	CAPA,CHIP CERAMIC M/L H.D F/S	0.0100UF 50V K B 1608 R/TP	
		C718	79096276	0CE4764C638	CAPACITOR,ELECTROLYTIC	47M SRA 6.3V M FM5 TP(5)	
		C719	79096276	0CE4764C638	CAPACITOR,ELECTROLYTIC	47M SRA 6.3V M FM5 TP(5)	
		C720	AF000275	0CH1392K512	CAPACITOR, FIXED CERAMIC(Temp.c	3900PF 50V 10% B(5YP) 1608 R/T	
		C721	AF000275	0CH1392K512	CAPACITOR, FIXED CERAMIC(Temp.c	3900PF 50V 10% B(5YP) 1608 R/T	
		C722	AF000269	0CH1103K512	CAPA,CHIP CERAMIC M/L H.D F/S	0.0100UF 50V K B 1608 R/TP	
		C723	AF000269	0CH1103K512	CAPA,CHIP CERAMIC M/L H.D F/S	0.0100UF 50V K B 1608 R/TP	
		C726	AF000269	0CH1103K512	CAPA,CHIP CERAMIC M/L H.D F/S	0.0100UF 50V K B 1608 R/TP	
		C727	79096276	0CE4764C638	CAPACITOR,ELECTROLYTIC	47M SRA 6.3V M FM5 TP(5)	
		C728	AF000269	0CH1103K512	CAPA,CHIP CERAMIC M/L H.D F/S	0.0100UF 50V K B 1608 R/TP	
		C729	79096272	0CE3354K638	CAPACITOR, FIXED ELECTROLYTIC	3.3UF SRA,SS 50V 20% FM5 TP 5	
		C732	79097104	0CE1064F638	CAPACITOR,ELECTROLYTIC	10M SRA 16V M FM5 TP(5)	
		C751	79096276	0CE4764C638	CAPACITOR,ELECTROLYTIC	47M SRA 6.3V M FM5 TP(5)	
		C752	AF000269	0CH1103K512	CAPA,CHIP CERAMIC M/L H.D F/S	0.0100UF 50V K B 1608 R/TP	
		C7M3	79098721	0CH4270K412	CAPACITOR,CHIP CERAMIC M/L TC	27PF 50V J NP0 1608 R/TP	
		C7M5	AF000271	0CH1105F942	CAPACITOR, FIXED CERAMIC(Temp.c	1000000PF 16V 80%,-20% Y5V(F)	
		C7M6	79098721	0CH4270K412	CAPACITOR,CHIP CERAMIC M/L TC	27PF 50V J NP0 1608 R/TP	
		C7V1	79096276	0CE4764C638	CAPACITOR,ELECTROLYTIC	47M SRA 6.3V M FM5 TP(5)	
		C7V2	AF000269	0CH1103K512	CAPA,CHIP CERAMIC M/L H.D F/S	0.0100UF 50V K B 1608 R/TP	
		C7V3	79098702	0CE1054K638	CAPACITOR,ELECTROLYTIC	1.0M SRA/SS50V M FM5 TP(5)	
		C7V4	79092021	0CH1473H942	CAPA,CHIP CERAMIC M/L H.D F/S	0.0470UF 25V Z Y5V(F) 1608 R/T	
		C7V5	79092021	0CH1473H942	CAPA,CHIP CERAMIC M/L H.D F/S	0.0470UF 25V Z Y5V(F) 1608 R/T	
		C802	79092014	0CH1104K942	CAPACITOR,CHIP CERAMIC M/L HD	0.1UF 50V Z Y5V(F) 1508 R/TP	
		C803	79092014	0CH1104K942	CAPACITOR,CHIP CERAMIC M/L HD	0.1UF 50V Z Y5V(F) 1508 R/TP	
		C804	79092014	0CH1104K942	CAPACITOR,CHIP CERAMIC M/L HD	0.1UF 50V Z Y5V(F) 1508 R/TP	
		C805	79092014	0CH1104K942	CAPACITOR,CHIP CERAMIC M/L HD	0.1UF 50V Z Y5V(F) 1508 R/TP	
		C806	79097104	0CE1064F638	CAPACITOR,ELECTROLYTIC	10M SRA 16V M FM5 TP(5)	
		C807	79096616	0CE4744K638	CAPACITOR,ELECTROLYTIC	0.47M SRA 50V M FM5 TP(5)	
		C810	AF000271	0CH1105F942	CAPACITOR, FIXED CERAMIC(Temp.c	1000000PF 16V 80%,-20% Y5V(F)	
		C811	AF000271	0CH1105F942	CAPACITOR, FIXED CERAMIC(Temp.c	1000000PF 16V 80%,-20% Y5V(F)	
		C812	79097104	0CE1064F638	CAPACITOR,ELECTROLYTIC	10M SRA 16V M FM5 TP(5)	
		C813	AF000277	0CH1682K512	CAPACITOR, FIXED CERAMIC(Temp.c	6800PF 50V 10% B(5YP) 1608 R/T	
		C814	79097108	0CE4764F638	CAPACITOR,ELECTROLYTIC	47M SRA/SS 16V M FM5 TP(5)	
		C815	79097104	0CE1064F638	CAPACITOR,ELECTROLYTIC	10M SRA 16V M FM5 TP(5)	
		C816	79097104	0CE1064F638	CAPACITOR,ELECTROLYTIC	10M SRA 16V M FM5 TP(5)	
		C817	79097104	0CE1064F638	CAPACITOR,ELECTROLYTIC	10M SRA 16V M FM5 TP(5)	
		C818	79097108	0CE4764F638	CAPACITOR,ELECTROLYTIC	47M SRA/SS 16V M FM5 TP(5)	
		C819	AF000277	0CH1682K512	CAPACITOR, FIXED CERAMIC(Temp.c	6800PF 50V 10% B(5YP) 1608 R/T	
		C820	79097104	0CE1064F638	CAPACITOR,ELECTROLYTIC	10M SRA 16V M FM5 TP(5)	
		C821	79092013	0CH1103K562	CAPACITOR, FIXED CERAMIC(TEMP.C	0.01UF 50V 10% X7R(X) 1608 R/T	
		C822	79097108	0CE4764F638	CAPACITOR,ELECTROLYTIC	47M SRA/SS 16V M FM5 TP(5)	
		C823	79092014	0CH1104K942	CAPACITOR,CHIP CERAMIC M/L HD	0.1UF 50V Z Y5V(F) 1508 R/TP	
		C824	79092013	0CH1103K562	CAPACITOR, FIXED CERAMIC(TEMP.C	0.01UF 50V 10% X7R(X) 1608 R/T	
		C825	79097108	0CE4764F638	CAPACITOR,ELECTROLYTIC	47M SRA/SS 16V M FM5 TP(5)	
		C826	79092013	0CH1103K562	CAPACITOR, FIXED CERAMIC(TEMP.C	0.01UF 50V 10% X7R(X) 1608 R/T	
		C828	79097104	0CE1064F638	CAPACITOR,ELECTROLYTIC	10M SRA 16V M FM5 TP(5)	
		C829	79097104	0CE1064F638	CAPACITOR,ELECTROLYTIC	10M SRA 16V M FM5 TP(5)	
		C855	AF000271	0CH1105F942	CAPACITOR, FIXED CERAMIC(Temp.c	1000000PF 16V 80%,-20% Y5V(F)	
		C856	AF000271	0CH1105F942	CAPACITOR, FIXED CERAMIC(Temp.c	1000000PF 16V 80%,-20% Y5V(F)	
		C857	79097104	0CE1064F638	CAPACITOR,ELECTROLYTIC	10M SRA 16V M FM5 TP(5)	
		C859	79097106	0CE2264F638	CAPACITOR, FIXED ELECTROLYTIC	22UF SRA,SS 16V 20% FM5 TP 5	
		C860	79097104	0CE1064F638	CAPACITOR,ELECTROLYTIC	10M SRA 16V M FM5 TP(5)	
		C861	79097104	0CE1064F638	CAPACITOR,ELECTROLYTIC	10M SRA 16V M FM5 TP(5)	
		C862	79097104	0CE1064F638	CAPACITOR,ELECTROLYTIC	10M SRA 16V M FM5 TP(5)	
		C863	79097108	0CE4764F638	CAPACITOR,ELECTROLYTIC	47M SRA/SS 16V M FM5 TP(5)	
		C864	79098702	0CE1054K638	CAPACITOR,ELECTROLYTIC	1.0M SRA/SS50V M FM5 TP(5)	
		C865	AF000286	0CH4680K412	CAPACITOR, FIXED CERAMIC(HIGH D	68PF 50V 5% NP0 1608 R/TP	
		C867	79097106	0CE2264F638	CAPACITOR, FIXED ELECTROLYTIC	22UF SRA,SS 16V 20% FM5 TP 5	
		C869	79097104	0CE1064F638	CAPACITOR,ELECTROLYTIC	10M SRA 16V M FM5 TP(5)	
		C870	79092014	0CH1104K942	CAPACITOR,CHIP CERAMIC M/L HD	0.1UF 50V Z Y5V(F) 1508 R/TP	
		C871	79092014	0CH1104K942	CAPACITOR,CHIP CERAMIC M/L HD	0.1UF 50V Z Y5V(F) 1508 R/TP	
		C884	79092014	0CH1104K942	CAPACITOR,CHIP CERAMIC M/L HD	0.1UF 50V Z Y5V(F) 1508 R/TP	
		C885	79092014	0CH1104K942	CAPACITOR,CHIP CERAMIC M/L HD	0.1UF 50V Z Y5V(F) 1508 R/TP	
		C886	79096020	0CE4775C638	CAPACITOR, FIXED ELECTROLYTIC	470UF SR,SV 6.3V 20% FM5 TP 5	
		C887	79097104	0CE1064F638	CAPACITOR,ELECTROLYTIC	10M SRA 16V M FM5 TP(5)	
		C888	79097104	0CE1064F638	CAPACITOR,ELECTROLYTIC	10M SRA 16V M FM5 TP(5)	
		C889	79092014	0CH1104K942	CAPACITOR,CHIP CERAMIC M/L HD	0.1UF 50V Z Y5V(F) 1508 R/TP	

TOSHIBA MODEL : SD-34VBSB

NSP : Not available as service parts.
 RUN DATE : 28-JUNE-04

S	AL	LOCA. NO.	TOSHIBA P/NO	LG PART NO.	DESCRIPTION	SPECIFICATION	REMARKS
		C890	79092014	0CH1104K942	CAPACITOR,CHIP[CERAMIC M/L HD	0.1UF 50V Z Y5V(F) 1508 R/TP	
		C901	79096020	0CE4775C638	CAPACITOR,FIXED ELECTROLYTIC	470UF SR,SV 6.3V 20% FM5 TP 5	
		C902	79096020	0CE4775C638	CAPACITOR,FIXED ELECTROLYTIC	470UF SR,SV 6.3V 20% FM5 TP 5	
		C903	79092013	0CH1103K562	CAPACITOR,FIXED CERAMIC(TEMP.C	0.01UF 50V 10% X7R(X) 1608 R/T	
		C911	79092014	0CH1104K942	CAPACITOR,CHIP[CERAMIC M/L HD	0.1UF 50V Z Y5V(F) 1508 R/TP	
		C912	79097121	0CH4101K412	CHIP CAPA CERAMIC M/L T.C F/S	100P 50V J COG 1.6X0.8 R/TP	
		C913	79097121	0CH4101K412	CHIP CAPA CERAMIC M/L T.C F/S	100P 50V J COG 1.6X0.8 R/TP	
		C915	79098721	0CH4270K412	CAPACITOR,CHIP[CERAMIC M/L TC	27PF 50V J NP0 1608 R/TP	
		C916	79096022	0CH1102K512	CAPACITOR,FIXED CERAMIC(TEMP.C	1000PF 50V 10% B(5YP) 1608 R/T	
		C917	79096022	0CH1102K512	CAPACITOR,FIXED CERAMIC(TEMP.C	1000PF 50V 10% B(5YP) 1608 R/T	
		C919	79096022	0CH1102K512	CAPACITOR,FIXED CERAMIC(TEMP.C	1000PF 50V 10% B(5YP) 1608 R/T	
		C921	79096022	0CH1102K512	CAPACITOR,FIXED CERAMIC(TEMP.C	1000PF 50V 10% B(5YP) 1608 R/T	
		C931	79096020	0CE4775C638	CAPACITOR,FIXED ELECTROLYTIC	470UF SR,SV 6.3V 20% FM5 TP 5	
		C932	79096020	0CE4775C638	CAPACITOR,FIXED ELECTROLYTIC	470UF SR,SV 6.3V 20% FM5 TP 5	
		C933	79096020	0CE4775C638	CAPACITOR,FIXED ELECTROLYTIC	470UF SR,SV 6.3V 20% FM5 TP 5	
		C934	79096020	0CE4775C638	CAPACITOR,FIXED ELECTROLYTIC	470UF SR,SV 6.3V 20% FM5 TP 5	
		C935	79096020	0CE4775C638	CAPACITOR,FIXED ELECTROLYTIC	470UF SR,SV 6.3V 20% FM5 TP 5	
		C941	79092014	0CH1104K942	CAPACITOR,CHIP[CERAMIC M/L HD	0.1UF 50V Z Y5V(F) 1508 R/TP	
		C942	79092014	0CH1104K942	CAPACITOR,CHIP[CERAMIC M/L HD	0.1UF 50V Z Y5V(F) 1508 R/TP	
		C943	79097121	0CH4101K412	CHIP CAPA CERAMIC M/L T.C F/S	100P 50V J COG 1.6X0.8 R/TP	
		C944	79097121	0CH4101K412	CHIP CAPA CERAMIC M/L T.C F/S	100P 50V J COG 1.6X0.8 R/TP	
		C945	AF000291	0CQ3921N449	CAPACITOR,FIXED FILM	3900PF D 100V 5% PP TP5	
		C946	AF000291	0CQ3921N449	CAPACITOR,FIXED FILM	3900PF D 100V 5% PP TP5	
		C960	AF000266	0CE1053K638	CAPACITOR,AL.ELECTROLYTIC	1.0M SRE/SE50V M FM5 TP(5)	
		C963	AF000266	0CE1053K638	CAPACITOR,AL.ELECTROLYTIC	1.0M SRE/SE50V M FM5 TP(5)	
		C964	79098702	0CE1054K638	CAPACITOR,ELECTROLYTIC	1.0M SRA/SS50V M FM5 TP(5)	
		C965	AF000266	0CE1053K638	CAPACITOR,AL.ELECTROLYTIC	1.0M SRE/SE50V M FM5 TP(5)	
		C966	79097108	0CE4764F638	CAPACITOR,ELECTROLYTIC	47M SRA/SS 16V M FM5 TP(5)	
		C967	79092014	0CH1104K942	CAPACITOR,CHIP[CERAMIC M/L HD	0.1UF 50V Z Y5V(F) 1508 R/TP	
		C968	79097106	0CE2264F638	CAPACITOR,FIXED ELECTROLYTIC	22UF SRA,SS 16V 20% FM5 TP 5	
		C969	79092014	0CH1104K942	CAPACITOR,CHIP[CERAMIC M/L HD	0.1UF 50V Z Y5V(F) 1508 R/TP	
		C970	AF000266	0CE1053K638	CAPACITOR,AL.ELECTROLYTIC	1.0M SRE/SE50V M FM5 TP(5)	
		CN201	AF000774	6630R-FB10W	CONNECTOR (CIRC),FFC/FPC	00-6232-023-006-800 ELCO 23PIN	
		CN202	AF000773	6630R-FB10K	CONNECTOR (CIRC),FFC/FPC	00-6232-011-006-800 ELCO 11P 1	
		CS501	AF000450	6600M000026	SWITCH,PUSH	MPU12970MLB0 VCR CST IN S/W MI	
		D114	79096008	0DR104009AB	DIODE,RECTIFIERS	RL104 R. TP GULF SEMICONDUCTOR	
		D117	79096008	0DR104009AB	DIODE,RECTIFIERS	RL104 R. TP GULF SEMICONDUCTOR	
		D118	79096008	0DR104009AB	DIODE,RECTIFIERS	RL104 R. TP GULF SEMICONDUCTOR	
		D119	79096008	0DR104009AB	DIODE,RECTIFIERS	RL104 R. TP GULF SEMICONDUCTOR	
		D121	79096305	0DD133009AA	DIODE,SWITCHING	1SS133 DETECT,SW TP	
		D122	79096008	0DR104009AB	DIODE,RECTIFIERS	RL104 R. TP GULF SEMICONDUCTOR	
		D301	79096305	0DD133009AA	DIODE,SWITCHING	1SS133 DETECT,SW TP	
		D401	79096310	0DSRM00118A	DIODE,SWITCHING	DAP202K T146 ROHM R/TP SMD 80V	
		D502	79096305	0DD133009AA	DIODE,SWITCHING	1SS133 DETECT,SW TP	
		D509	79096305	0DD133009AA	DIODE,SWITCHING	1SS133 DETECT,SW TP	
		D801	79096305	0DD133009AA	DIODE,SWITCHING	1SS133 DETECT,SW TP	
		D802	79096305	0DD133009AA	DIODE,SWITCHING	1SS133 DETECT,SW TP	
		D803	79096305	0DD133009AA	DIODE,SWITCHING	1SS133 DETECT,SW TP	
		ES501	AF000420	4931R-0085C	HOLDER ASSEMBLY	VCR DECK/MECHA END(S)	
		ES502	AF000420	4931R-0085C	HOLDER ASSEMBLY	VCR DECK/MECHA END(S)	
		IC151	AF000113	0IPMGJR007A	IC,POWER MANAGEMENT	NJM2396F08 JRC 4PIN TO-220 ST	
		IC151	79098753	0IPMGKE008B	IC,POWER MANAGEMENT	KIA78R08PI/API CU KEC 4P TO-22	
		IC151	AF000115	0IPMGSH009A	IC,POWER MANAGEMENT	PQ08RD1L SHARP 4PIN TO-220 ST	
		IC151	79098749	0IPMGFA016A	IC,POWER MANAGEMENT	KA78R08TSTU FAIRCHILD 4P TO-22	
		IC152	AF000160	0ISH313000C	IC,SHARP	PQ3RD13L 4PIN TO-220 ST 3.3V L	
		IC152	79098748	0IPMGFA015A	IC,POWER MANAGEMENT	KA78R33TSTU FAIRCHILD 4P TO-22	
		IC152	79098752	0IPMGKE006B	IC,POWER MANAGEMENT	KIA78R33PI CU KEC 4P TO-220IS	
		IC155	AF000710	0IPMGUC006A	IC,POWER MANAGEMENT	LD1117A-1.8V UTC TO252 R/TP 1.	
		IC201	AF000703	0ILNRIJ001B	IC,LINEAR	IP4504A INTERPION 28PIN,SSOPH-	
		IC301	79096583	0ILNRS A005B	IC,LINEAR	LA71750EM SANYO 100PIN QFP TRA	
		IC401	AF000303	0IPRPCI002B	IC,PERIPHERALS	CS4392-KZR CIRRUS LOGIC 20 TSS	
		IC402	79098737	0IJR458000B	IC,JRC	NJM4580M 8,DMP8 TP OP AMP 2K/R	
		IC402	AF000298	0ILNRUC001A	IC,LINEAR	MC4580 UTC 8PIN,SOP R/TP 2CH O	
		IC501	AF000705	0IMCRHI035B	IC,MICRO CONTROLLER	HD6432197SA42F 2ND HITACHI 112	
		IC503	79096319	0IAL241600B	IC,ATMEL	AT24C16 - - - -	
		IC503	AF000009	0ICS241600B	IC,CATALYST	CAT24WC16P 8P DIP ST 16K SERIA	
		IC503	79096320	0ICS241600B	IC,CATALYST	CAT24WC16P 8P DIP ST 16K SERIA	
		IC504	79096322	0IKE703100A	IC,KEC	KIA7031P 3P 3.1V RESET(TAPING)	
		IC504	AF000014	0ISS753100A	IC,SAMSUNG ELECTRONICS	KA7531Z TO-92 TP 3.1V RESET	
		IC505	79098739	0IKE704200B	IC,KEC	KIA7042P 3P 4.2V RESET(TAPING)	
		IC601	AF000704	0ILNRRNF009A	IC,LINEAR	MT1389FE/B MEDIATEK INCORPORAT	
		IC602	AF000707	0IMMRHY040D	IC,MEMORIES	HY29DL163TT-70 HYNIX 48PIN,TSO	
		IC603	AF000264	0IMMRHY001E	IC,MEMORIES	HY57V641620HGT-7 HYUNDAI 54PIN	
		IC603	AF000706	0IMMRB004A	IC,MEMORIES	M12L64164A-7T ELITE MEMORY TEC	
		IC603A	AF000791	6957R-601BD	PROGRAM	DVD PROGRAM #2 ESGIPG TOSHIBA	

TOSHIBA MODEL : SD-34VBSB

NSP : Not available as service parts.
 RUN DATE : 28-JUNE-04

S	AL	LOCA. NO.	TOSHIBA P/NO	LG PART NO.	DESCRIPTION	SPECIFICATION	REMARKS
		IC606	79096693	0ISS240210A	IC,SAMSUNG ELECTRONICS	S524A40X21-SCT0 SOP8 TP EEPROM	
		IC607	79097140	0IFA742440F	IC,FAIRCHILD	MM74HCT244SJ 20P SOIC TP 3-STA	
		IC751	AF000010	0IIT341700C	IC,ITT	MSP3417G-QG-B8-V3 44 QFP TRAY	
		IC7V1	AF000294	0ILNRMN001B	IC,LINEAR	SDA5650X GEG MICRONAS 20PIN SO	
		IC801	79096579	0IPH960500A	IC,PHILIPS	TDA9605H QFP44 BK HIFI AMP+HIF	
		IC802	AF000117	0IPRPMT009A	IC,PERIPHERALS	MM1443XJBE MITSUMI 34PIN SSOP	
		IC901	79096577	0IPRPMT008A	IC,PERIPHERALS	MM1623XFBE MITSUMI 28PIN SOP R	
		J501	79093020	0RH0000C622	RESISTOR,METAL GLAZED(CHIP)	0 OHM 1 / 16 W 1608 5.00% D	
		J502	79093020	0RH0000C622	RESISTOR,METAL GLAZED(CHIP)	0 OHM 1 / 16 W 1608 5.00% D	
		J701	79093034	0RH1501C622	RESISTOR,METAL GLAZED(CHIP)	1.5K OHM 1 / 16 W 1608 5.00% D	
		J702	79093034	0RH1501C622	RESISTOR,METAL GLAZED(CHIP)	1.5K OHM 1 / 16 W 1608 5.00% D	
		J910	79093020	0RH0000C622	RESISTOR,METAL GLAZED(CHIP)	0 OHM 1 / 16 W 1608 5.00% D	
		J911	79093020	0RH0000C622	RESISTOR,METAL GLAZED(CHIP)	0 OHM 1 / 16 W 1608 5.00% D	
		JK902	AF000455	6612J00050C	JACK,RCA	RCA-910A-00-01 YUQIU 2004 COMB	
		JK903	AF000087	6612K00003B	JACK,FIBER OPTIC	PLT131/T5/12(12Mbps) EVERLIGHT	
		JK904	AF000453	6612B00011A	JACK,DIN	DIN405 YUQIU 2004 COMBI	
		L111	79091005	6200HJC102A	FILTER(CIRC),EMC	HB-1M2012-102JT CERATECH TP	
		L122	79091007	633-088G	COIL,CHOKE	22MH TOKO 5MM TP	
		L122	AF000433	6140R-C011A	COIL,RF	CHOKE COIL TDK 22UH(=633-088G	
		L123	79091007	633-088G	COIL,CHOKE	22MH TOKO 5MM TP	
		L123	AF000433	6140R-C011A	COIL,RF	CHOKE COIL TDK 22UH(=633-088G	
		L201	79096571	0LR0102J025	INDUCTOR,RADIAL LEAD	10UH 5% 4X5 TR5	
		L202	79091005	6200HJC102A	FILTER(CIRC),EMC	HB-1M2012-102JT CERATECH TP	
		L203	79096571	0LR0102J025	INDUCTOR,RADIAL LEAD	10UH 5% 4X5 TR5	
		L204	79091005	6200HJC102A	FILTER(CIRC),EMC	HB-1M2012-102JT CERATECH TP	
		L205	AF000015	0LCCE00004E	INDUCTOR,CHIP	FI-C2012-103KJT (10UH) CERATEC	
		L206	79091005	6200HJC102A	FILTER(CIRC),EMC	HB-1M2012-102JT CERATECH TP	
		L207	79091005	6200HJC102A	FILTER(CIRC),EMC	HB-1M2012-102JT CERATECH TP	
		L301	79096570	0LR0102J0N5	INDUCTOR,RADIAL LEAD	10UH 5% TP 3X5 TR5 -	
		L301	AF000016	0LR0102K0P5	INDUCTOR,RADIAL LEAD	LF7.5N OEL 10UH 10% TP 4.8X4.0	
		L301	AF000103	GLR0102K0P5	INDUCTOR,RADIAL LEAD	LF7.5N OEL 10UH 10% TP 4.8X4.0	
		L303	79096570	0LR0102J0N5	INDUCTOR,RADIAL LEAD	10UH 5% TP 3X5 TR5 -	
		L303	AF000103	GLR0102K0P5	INDUCTOR,RADIAL LEAD	LF7.5N OEL 10UH 10% TP 4.8X4.0	
		L303	AF000016	0LR0102K0P5	INDUCTOR,RADIAL LEAD	LF7.5N OEL 10UH 10% TP 4.8X4.0	
		L304	79096570	0LR0102J0N5	INDUCTOR,RADIAL LEAD	10UH 5% TP 3X5 TR5 -	
		L304	AF000103	GLR0102K0P5	INDUCTOR,RADIAL LEAD	LF7.5N OEL 10UH 10% TP 4.8X4.0	
		L304	AF000016	0LR0102K0P5	INDUCTOR,RADIAL LEAD	LF7.5N OEL 10UH 10% TP 4.8X4.0	
		L305	79098758	0LR1000K035	INDUCTOR RADIAL LEAD	100M K 6X6 L5 TP	
		L306	79098758	0LR1000K035	INDUCTOR RADIAL LEAD	100M K 6X6 L5 TP	
		L307	79096570	0LR0102J0N5	INDUCTOR,RADIAL LEAD	10UH 5% TP 3X5 TR5 -	
		L307	AF000016	0LR0102K0P5	INDUCTOR,RADIAL LEAD	LF7.5N OEL 10UH 10% TP 4.8X4.0	
		L307	AF000103	GLR0102K0P5	INDUCTOR,RADIAL LEAD	LF7.5N OEL 10UH 10% TP 4.8X4.0	
		L308	79098758	0LR1000K035	INDUCTOR RADIAL LEAD	100M K 6X6 L5 TP	
		L401	79091005	6200HJC102A	FILTER(CIRC),EMC	HB-1M2012-102JT CERATECH TP	
		L501	79096575	0LA0122K018	INDUCTOR AXIAL LEAD	12M K 2.3X3.4 L5 TP	
		L503	79096569	0LR1000J0N5	INDUCTOR,RADIAL LEAD	100UH 5% TP 3X5 TR5	
		L504	79096570	0LR0102J0N5	INDUCTOR,RADIAL LEAD	10UH 5% TP 3X5 TR5 -	
		L504	AF000016	0LR0102K0P5	INDUCTOR,RADIAL LEAD	LF7.5N OEL 10UH 10% TP 4.8X4.0	
		L505	79098758	0LR1000K035	INDUCTOR RADIAL LEAD	100M K 6X6 L5 TP	
		L506	AF000083	635-027C	INDUCTOR,RADIAL LEAD	EL0405RA SKI150G-3 K-TDK 15UH	
		L551	79096574	0LA0332K018	INDUCTOR AXIAL LEAD	33M K 2.3X3.4 L5 TP	
		L601	79091005	6200HJC102A	FILTER(CIRC),EMC	HB-1M2012-102JT CERATECH TP	
		L603	79091005	6200HJC102A	FILTER(CIRC),EMC	HB-1M2012-102JT CERATECH TP	
		L604	79091005	6200HJC102A	FILTER(CIRC),EMC	HB-1M2012-102JT CERATECH TP	
		L605	79091005	6200HJC102A	FILTER(CIRC),EMC	HB-1M2012-102JT CERATECH TP	
		L609	79091005	6200HJC102A	FILTER(CIRC),EMC	HB-1M2012-102JT CERATECH TP	
		L610	79091005	6200HJC102A	FILTER(CIRC),EMC	HB-1M2012-102JT CERATECH TP	
		L611	79091005	6200HJC102A	FILTER(CIRC),EMC	HB-1M2012-102JT CERATECH TP	
		L701	79098758	0LR1000K035	INDUCTOR RADIAL LEAD	100M K 6X6 L5 TP	
		L702	79096333	0LR0102K035	INDUCTOR RADIAL LEAD	10M K 6X6 L5 TP	
		L704	79096333	0LR0102K035	INDUCTOR RADIAL LEAD	10M K 6X6 L5 TP	
		L705	79096333	0LR0102K035	INDUCTOR RADIAL LEAD	10M K 6X6 L5 TP	
		L7V1	79098758	0LR1000K035	INDUCTOR RADIAL LEAD	100M K 6X6 L5 TP	
		L801	79098758	0LR1000K035	INDUCTOR RADIAL LEAD	100M K 6X6 L5 TP	
		L802	79098758	0LR1000K035	INDUCTOR RADIAL LEAD	100M K 6X6 L5 TP	
		L901	AF000015	0LCCE00004E	INDUCTOR,CHIP	FI-C2012-103KJT (10UH) CERATEC	
		L902	AF000015	0LCCE00004E	INDUCTOR,CHIP	FI-C2012-103KJT (10UH) CERATEC	
		L903	AF000015	0LCCE00004E	INDUCTOR,CHIP	FI-C2012-103KJT (10UH) CERATEC	
		L904	AF000015	0LCCE00004E	INDUCTOR,CHIP	FI-C2012-103KJT (10UH) CERATEC	
		L905	AF000015	0LCCE00004E	INDUCTOR,CHIP	FI-C2012-103KJT (10UH) CERATEC	
		L906	AF000015	0LCCE00004E	INDUCTOR,CHIP	FI-C2012-103KJT (10UH) CERATEC	
		L907	AF000015	0LCCE00004E	INDUCTOR,CHIP	FI-C2012-103KJT (10UH) CERATEC	
		L908	AF000015	0LCCE00004E	INDUCTOR,CHIP	FI-C2012-103KJT (10UH) CERATEC	
		L909	AF000015	0LCCE00004E	INDUCTOR,CHIP	FI-C2012-103KJT (10UH) CERATEC	
		L910	AF000015	0LCCE00004E	INDUCTOR,CHIP	FI-C2012-103KJT (10UH) CERATEC	

TOSHIBA MODEL : SD-34VBSB

NSP : Not available as service parts.
 RUN DATE : 28-JUNE-04

S	AL	LOCA. NO.	TOSHIBA P/NO	LG PART NO.	DESCRIPTION	SPECIFICATION	REMARKS
		L911	79096572	0LCCE00004L	INDUCTOR,CHIP	1UH , CHIP2012 CERATECH R/TP	
		L912	79096572	0LCCE00004L	INDUCTOR,CHIP	1UH , CHIP2012 CERATECH R/TP	
		L913	79096572	0LCCE00004L	INDUCTOR,CHIP	1UH , CHIP2012 CERATECH R/TP	
		L916	AF000015	0LCCE00004E	INDUCTOR,CHIP	FI-C2012-103KJT (10UH) CERATEC	
		L917	AF000015	0LCCE00004E	INDUCTOR,CHIP	FI-C2012-103KJT (10UH) CERATEC	
		L918	79096572	0LCCE00004L	INDUCTOR,CHIP	1UH , CHIP2012 CERATECH R/TP	
		L919	79096572	0LCCE00004L	INDUCTOR,CHIP	1UH , CHIP2012 CERATECH R/TP	
		L920	79091005	6200HJC102A	FILTER(CIRC),EMC	HB-1M2012-102JT CERATECH TP	
		L921	79091005	6200HJC102A	FILTER(CIRC),EMC	HB-1M2012-102JT CERATECH TP	
		L922	79091005	6200HJC102A	FILTER(CIRC),EMC	HB-1M2012-102JT CERATECH TP	
		LD501	AF000421	4931R-0089C	HOLDER ASSEMBLY	VCR DECK/MECHA END(S)	
		MS501	AF000448	6600JR3002D	SWITCH,MODE	SSS-51MD-3 SHINMEI 5VDC 1MA D3	
		MS501	AF000449	6600JR3002E	SWITCH,MODE	MMS01080ZMBO MIC 5VDC 1MA D37	
		P3D01	AF000754	561-234S	CONNECTOR (CIRC),FFC/FPC	GF120-9S-TS-A LG CABLE 9P 1.25	
		P3D02	AF000769	6630R5S008J	CONNECTOR(CIRC),DRAWING	06(11)FM22.2H-BTR-SH JST 6P 6.	
		P3D03	AF000755	561-251B	CONNECTOR(CIRC),DRAWING	GB201-2P-TS-B(LGC)	
		PM601	AF000762	561-843L	CONNECTOR(CIRC),DRAWING	TUC-P12P-B1,TAIKO	
		PM602	AF000760	561-843D	CONNECTOR(CIRC),DRAWING	TUC-P05P-B1 TAIKO 5P 2.0MM	
		PM603	AF000760	561-843D	CONNECTOR(CIRC),DRAWING	TUC-P05P-B1 TAIKO 5P 2.0MM	
		PMC01	AF000768	6630BK01612	CONNECTOR (CIRC),BOARD TO BOAR	JE612-A2T-12A JAE EUN 12P 2.0M	
		PMP01	AF000767	6630B60E908	CONNECTOR (CIRC),BOARD TO BOAR	JE117-D22T-08 JAE EUN 8P 2.54M	
		Q150	AF000328	0TRAU90024A	TRANSISTOR,BIPOLARS	STA353 AUK KOREA TP MPAK -40V	
		Q153	AF000327	0TR928009AD	TRANSISTOR	KSA928A-Y,TO-92L TP SAMSUNG TO	
		Q153	79095003	0TR127309AA	TRANSISTOR	KTA1273-TP-Y (KTA966A)KEC	
		Q153	AF000324	0TR127709AB	TRANSISTOR,BIPOLARS	AUK KOREA STB1277LY-AT TP TO-9	
		Q154	79095008	0TR387509AC	TRANSISTOR	CHIP KTC3875S-GR-T1(ALG) KEC	
		Q156	79096378	0TR534409AA	TRANSISTOR	2SC5344Y TP	
		Q161	79097532	0TR126809BA	TRANSISTOR,BIPOLARS	KTA1268-BL TP KEC	
		Q162	79095008	0TR387509AC	TRANSISTOR	CHIP KTC3875S-GR-T1(ALG) KEC	
		Q163	AF000327	0TR928009AD	TRANSISTOR	KSA928A-Y,TO-92L TP SAMSUNG TO	
		Q163	AF000324	0TR127709AB	TRANSISTOR,BIPOLARS	AUK KOREA STB1277LY-AT TP TO-9	
		Q163	79095003	0TR127309AA	TRANSISTOR	KTA1273-TP-Y (KTA966A)KEC	
		Q164	79095008	0TR387509AC	TRANSISTOR	CHIP KTC3875S-GR-T1(ALG) KEC	
		Q173	79095008	0TR387509AC	TRANSISTOR	CHIP KTC3875S-GR-T1(ALG) KEC	
		Q201	79095008	0TR387509AC	TRANSISTOR	CHIP KTC3875S-GR-T1(ALG) KEC	
		Q202	79096542	0TRRH80042A	TRANSISTOR,BIPOLARS	2SK3018 T106 ROHM KOREA R/TP U	
		Q203	79096542	0TRRH80042A	TRANSISTOR,BIPOLARS	2SK3018 T106 ROHM KOREA R/TP U	
		Q204	79095002	0TR103709BB	TRANSISTOR,BIPOLARS	2SA1037K-Q CHIP TP ROHM - -	
		Q205	79095002	0TR103709BB	TRANSISTOR,BIPOLARS	2SA1037K-Q CHIP TP ROHM - -	
		Q301	79095008	0TR387509AC	TRANSISTOR	CHIP KTC3875S-GR-T1(ALG) KEC	
		Q302	79095005	0TR150409AC	TRANSISTOR	KTA1504-GR-T1(ASG) CHIP KEC	
		Q303	79095008	0TR387509AC	TRANSISTOR	CHIP KTC3875S-GR-T1(ALG) KEC	
		Q304	79095008	0TR387509AC	TRANSISTOR	CHIP KTC3875S-GR-T1(ALG) KEC	
		Q305	79095005	0TR150409AC	TRANSISTOR	KTA1504-GR-T1(ASG) CHIP KEC	
		Q306	79096378	0TR534409AA	TRANSISTOR	2SC5344Y TP	
		Q306	79096543	0TR320309AA	TRANSISTOR,BIPOLARS	KTC3203 KEC TP TO92 50V 150MA	
		Q309	79095005	0TR150409AC	TRANSISTOR	KTA1504-GR-T1(ASG) CHIP KEC	
		Q311	AF000326	0TR319909AA	TRANSISTOR	KTC3199-GR (2SC3199) TP KEC TO	
		Q401	79095002	0TR103709BB	TRANSISTOR,BIPOLARS	2SA1037K-Q CHIP TP ROHM - -	
		Q404	79096031	0TR103009AC	TRANSISTOR	KRA103S-T1(PC)22-22 CHIP KEC	
		Q405	79096031	0TR103009AC	TRANSISTOR	KRA103S-T1(PC)22-22 CHIP KEC	
		Q501	79095008	0TR387509AC	TRANSISTOR	CHIP KTC3875S-GR-T1(ALG) KEC	
		Q502	79095008	0TR387509AC	TRANSISTOR	CHIP KTC3875S-GR-T1(ALG) KEC	
		Q503	AF000327	0TR928009AD	TRANSISTOR	KSA928A-Y,TO-92L TP SAMSUNG TO	
		Q503	79095003	0TR127309AA	TRANSISTOR	KTA1273-TP-Y (KTA966A)KEC	
		Q503	AF000324	0TR127709AB	TRANSISTOR,BIPOLARS	AUK KOREA STB1277LY-AT TP TO-9	
		Q504	79095008	0TR387509AC	TRANSISTOR	CHIP KTC3875S-GR-T1(ALG) KEC	
		Q514	79095001	0TR103009AA	TRANSISTOR	CHIP KRC103S-T1(NC)22-22 KEC	
		Q515	79095001	0TR103009AA	TRANSISTOR	CHIP KRC103S-T1(NC)22-22 KEC	
		Q5S1	79095008	0TR387509AC	TRANSISTOR	CHIP KTC3875S-GR-T1(ALG) KEC	
		Q801	79095008	0TR387509AC	TRANSISTOR	CHIP KTC3875S-GR-T1(ALG) KEC	
		Q802	79095008	0TR387509AC	TRANSISTOR	CHIP KTC3875S-GR-T1(ALG) KEC	
		Q803	79095008	0TR387509AC	TRANSISTOR	CHIP KTC3875S-GR-T1(ALG) KEC	
		Q902	79095008	0TR387509AC	TRANSISTOR	CHIP KTC3875S-GR-T1(ALG) KEC	
		Q903	79095008	0TR387509AC	TRANSISTOR	CHIP KTC3875S-GR-T1(ALG) KEC	
		Q905	79095008	0TR387509AC	TRANSISTOR	CHIP KTC3875S-GR-T1(ALG) KEC	
		R110	79093045	0RH4701C622	RESISTOR,METAL GLAZED(CHIP)	4.7K OHM 1 / 16 W 1608 5.00% D	
		R150	79093029	0RH1002C622	RESISTOR,METAL GLAZED(CHIP)	10K OHM 1 / 16 W 1608 5.00% D	
		R151	79093039	0RH2201C622	RESISTOR,METAL GLAZED(CHIP)	2.2K OHM 1 / 16 W 1608 5.00% D	
		R152	79093032	0RH1202C622	RESISTOR,METAL GLAZED(CHIP)	12K OHM 1 / 16 W 1608 5.00% D	
		R153	79093029	0RH1002C622	RESISTOR,METAL GLAZED(CHIP)	10K OHM 1 / 16 W 1608 5.00% D	
		R154	79098767	0RH1001C622	RESISTOR,METAL GLAZED(CHIP)	1K OHM 1 / 16 W 1608 5.00% D	
		R155	79093043	0RH3902C622	RESISTOR,METAL GLAZED(CHIP)	39K OHM 1 / 16 W 1608 5.00% D	
		R156	79093029	0RH1002C622	RESISTOR,METAL GLAZED(CHIP)	10K OHM 1 / 16 W 1608 5.00% D	
		R157	79098767	0RH1001C622	RESISTOR,METAL GLAZED(CHIP)	1K OHM 1 / 16 W 1608 5.00% D	

TOSHIBA MODEL : SD-34VBSB

NSP : Not available as service parts.
 RUN DATE : 28-JUNE-04

S	AL	LOCA. NO.	TOSHIBA P/NO	LG PART NO.	DESCRIPTION	SPECIFICATION	REMARKS
		R158	79093044	0RH4700C622	RESISTOR,METAL GLAZED(CHIP)	470 OHM 1 / 16 W 1608 5.00% D	
		R159	79093044	0RH4700C622	RESISTOR,METAL GLAZED(CHIP)	470 OHM 1 / 16 W 1608 5.00% D	
		R160	79093044	0RH4700C622	RESISTOR,METAL GLAZED(CHIP)	470 OHM 1 / 16 W 1608 5.00% D	
		R161	79093020	0RH0000C622	RESISTOR,METAL GLAZED(CHIP)	0 OHM 1 / 16 W 1608 5.00% D	
		R162	79093020	0RH0000C622	RESISTOR,METAL GLAZED(CHIP)	0 OHM 1 / 16 W 1608 5.00% D	
		R163	79093020	0RH0000C622	RESISTOR,METAL GLAZED(CHIP)	0 OHM 1 / 16 W 1608 5.00% D	
		R164	79093045	0RH4701C622	RESISTOR,METAL GLAZED(CHIP)	4.7K OHM 1 / 16 W 1608 5.00% D	
		R170	79093029	0RH1002C622	RESISTOR,METAL GLAZED(CHIP)	10K OHM 1 / 16 W 1608 5.00% D	
		R172	79093045	0RH4701C622	RESISTOR,METAL GLAZED(CHIP)	4.7K OHM 1 / 16 W 1608 5.00% D	
		R173	79093041	0RH3300C622	RESISTOR,METAL GLAZED(CHIP)	330 OHM 1 / 16 W 1608 5.00% D	
		R174	79093045	0RH4701C622	RESISTOR,METAL GLAZED(CHIP)	4.7K OHM 1 / 16 W 1608 5.00% D	
		R175	79093045	0RH4701C622	RESISTOR,METAL GLAZED(CHIP)	4.7K OHM 1 / 16 W 1608 5.00% D	
		R176	79093041	0RH3300C622	RESISTOR,METAL GLAZED(CHIP)	330 OHM 1 / 16 W 1608 5.00% D	
		R177	79093043	0RH3902C622	RESISTOR,METAL GLAZED(CHIP)	39K OHM 1 / 16 W 1608 5.00% D	
		R181	79093032	0RH1202C622	RESISTOR,METAL GLAZED(CHIP)	12K OHM 1 / 16 W 1608 5.00% D	
		R182	79093032	0RH1202C622	RESISTOR,METAL GLAZED(CHIP)	12K OHM 1 / 16 W 1608 5.00% D	
		R201	79093029	0RH1002C622	RESISTOR,METAL GLAZED(CHIP)	10K OHM 1 / 16 W 1608 5.00% D	
		R202	79096030	0RH1003C622	RESISTOR,METAL GLAZED(CHIP)	100K OHM 1 / 16 W 1608 5.00% D	
		R203	79093029	0RH1002C622	RESISTOR,METAL GLAZED(CHIP)	10K OHM 1 / 16 W 1608 5.00% D	
		R204	79096030	0RH1003C622	RESISTOR,METAL GLAZED(CHIP)	100K OHM 1 / 16 W 1608 5.00% D	
		R205	79093020	0RH0000C622	RESISTOR,METAL GLAZED(CHIP)	0 OHM 1 / 16 W 1608 5.00% D	
		R206	79093020	0RH0000C622	RESISTOR,METAL GLAZED(CHIP)	0 OHM 1 / 16 W 1608 5.00% D	
		R207	79093020	0RH0000C622	RESISTOR,METAL GLAZED(CHIP)	0 OHM 1 / 16 W 1608 5.00% D	
		R208	79093020	0RH0000C622	RESISTOR,METAL GLAZED(CHIP)	0 OHM 1 / 16 W 1608 5.00% D	
		R209	79093020	0RH0000C622	RESISTOR,METAL GLAZED(CHIP)	0 OHM 1 / 16 W 1608 5.00% D	
		R210	79093020	0RH0000C622	RESISTOR,METAL GLAZED(CHIP)	0 OHM 1 / 16 W 1608 5.00% D	
		R211	79093020	0RH0000C622	RESISTOR,METAL GLAZED(CHIP)	0 OHM 1 / 16 W 1608 5.00% D	
		R212	79093029	0RH1002C622	RESISTOR,METAL GLAZED(CHIP)	10K OHM 1 / 16 W 1608 5.00% D	
		R213	79096208	0RH0331C622	RESISTOR,METAL GLAZED(CHIP)	3.3 OHM 1 / 16 W 1608 5.00% D	
		R214	79093024	0RH0471C622	RESISTOR,METAL GLAZED(CHIP)	4.7 OHM 1 / 16 W 1608 5.00% D	
		R215	79093020	0RH0000C622	RESISTOR,METAL GLAZED(CHIP)	0 OHM 1 / 16 W 1608 5.00% D	
		R216	79093020	0RH0000C622	RESISTOR,METAL GLAZED(CHIP)	0 OHM 1 / 16 W 1608 5.00% D	
		R217	79096547	0RJ7503C677	RESISTOR,METAL GLAZED(CHIP)	750K OHM 1/16 W 5% 1608 R/TP	
		R218	79096547	0RJ7503C677	RESISTOR,METAL GLAZED(CHIP)	750K OHM 1/16 W 5% 1608 R/TP	
		R219	79093020	0RH0000C622	RESISTOR,METAL GLAZED(CHIP)	0 OHM 1 / 16 W 1608 5.00% D	
		R220	79096553	0RH3903C622	RESISTOR,METAL GLAZED(CHIP)	390K OHM 1 / 16 W 1608 5.00% D	
		R221	79096553	0RH3903C622	RESISTOR,METAL GLAZED(CHIP)	390K OHM 1 / 16 W 1608 5.00% D	
		R222	AF000309	0RH0201D622	RESISTOR,METAL GLAZED(CHIP)	2 OHM 1 / 10 W 2012 5.00% D	
		R223	79093020	0RH0000C622	RESISTOR,METAL GLAZED(CHIP)	0 OHM 1 / 16 W 1608 5.00% D	
		R224	79093020	0RH0000C622	RESISTOR,METAL GLAZED(CHIP)	0 OHM 1 / 16 W 1608 5.00% D	
		R225	79093020	0RH0000C622	RESISTOR,METAL GLAZED(CHIP)	0 OHM 1 / 16 W 1608 5.00% D	
		R226	79093020	0RH0000C622	RESISTOR,METAL GLAZED(CHIP)	0 OHM 1 / 16 W 1608 5.00% D	
		R227	79093047	0RH5601C622	RESISTOR,METAL GLAZED(CHIP)	5.6K OHM 1 / 16 W 1608 5.00% D	
		R228	79093045	0RH4701C622	RESISTOR,METAL GLAZED(CHIP)	4.7K OHM 1 / 16 W 1608 5.00% D	
		R231	79096565	0RH0101C622	RESISTOR,METAL GLAZED(CHIP)	1 OHM 1 / 16 W 1608 5.00% D	
		R232	79096565	0RH0101C622	RESISTOR,METAL GLAZED(CHIP)	1 OHM 1 / 16 W 1608 5.00% D	
		R233	79096565	0RH0101C622	RESISTOR,METAL GLAZED(CHIP)	1 OHM 1 / 16 W 1608 5.00% D	
		R234	79096565	0RH0101C622	RESISTOR,METAL GLAZED(CHIP)	1 OHM 1 / 16 W 1608 5.00% D	
		R236	79093020	0RH0000C622	RESISTOR,METAL GLAZED(CHIP)	0 OHM 1 / 16 W 1608 5.00% D	
		R239	79093029	0RH1002C622	RESISTOR,METAL GLAZED(CHIP)	10K OHM 1 / 16 W 1608 5.00% D	
		R240	79098774	0RH5602C622	RESISTOR,METAL GLAZED(CHIP)	56K OHM 1 / 16 W 1608 5.00% D	
		R243	79093029	0RH1002C622	RESISTOR,METAL GLAZED(CHIP)	10K OHM 1 / 16 W 1608 5.00% D	
		R244	79093039	0RH2201C622	RESISTOR,METAL GLAZED(CHIP)	2.2K OHM 1 / 16 W 1608 5.00% D	
		R246	79093029	0RH1002C622	RESISTOR,METAL GLAZED(CHIP)	10K OHM 1 / 16 W 1608 5.00% D	
		R291	AF000309	0RH0201D622	RESISTOR,METAL GLAZED(CHIP)	2 OHM 1 / 10 W 2012 5.00% D	
		R301	79098774	0RH5602C622	RESISTOR,METAL GLAZED(CHIP)	56K OHM 1 / 16 W 1608 5.00% D	
		R302	79093029	0RH1002C622	RESISTOR,METAL GLAZED(CHIP)	10K OHM 1 / 16 W 1608 5.00% D	
		R303	79093037	0RH1802C622	RESISTOR,METAL GLAZED(CHIP)	18K OHM 1 / 16 W 1608 5.00% D	
		R304	79093029	0RH1002C622	RESISTOR,METAL GLAZED(CHIP)	10K OHM 1 / 16 W 1608 5.00% D	
		R305	79093029	0RH1002C622	RESISTOR,METAL GLAZED(CHIP)	10K OHM 1 / 16 W 1608 5.00% D	
		R306	79093029	0RH1002C622	RESISTOR,METAL GLAZED(CHIP)	10K OHM 1 / 16 W 1608 5.00% D	
		R307	79093039	0RH2201C622	RESISTOR,METAL GLAZED(CHIP)	2.2K OHM 1 / 16 W 1608 5.00% D	
		R308	79093045	0RH4701C622	RESISTOR,METAL GLAZED(CHIP)	4.7K OHM 1 / 16 W 1608 5.00% D	
		R309	79098767	0RH1001C622	RESISTOR,METAL GLAZED(CHIP)	1K OHM 1 / 16 W 1608 5.00% D	
		R310	79093045	0RH4701C622	RESISTOR,METAL GLAZED(CHIP)	4.7K OHM 1 / 16 W 1608 5.00% D	
		R311	79098767	0RH1001C622	RESISTOR,METAL GLAZED(CHIP)	1K OHM 1 / 16 W 1608 5.00% D	
		R312	AF000320	0RH6802C622	RESISTOR,METAL GLAZED(CHIP)	68K OHM 1 / 16 W 1608 5.00% D	
		R313	AF000312	0RH1800C622	RESISTOR,METAL GLAZED(CHIP)	180 OHM 1 / 16 W 1608 5.00% D	
		R314	79093029	0RH1002C622	RESISTOR,METAL GLAZED(CHIP)	10K OHM 1 / 16 W 1608 5.00% D	
		R315	79093027	0RH1000C622	RESISTOR,METAL GLAZED(CHIP)	100 OHM 1 / 16 W 1608 5.00% D	
		R316	79093027	0RH1000C622	RESISTOR,METAL GLAZED(CHIP)	100 OHM 1 / 16 W 1608 5.00% D	
		R317	79093047	0RH5601C622	RESISTOR,METAL GLAZED(CHIP)	5.6K OHM 1 / 16 W 1608 5.00% D	
		R318	79096361	0RH3901C622	RESISTOR,METAL GLAZED(CHIP)	3.9K OHM 1 / 16 W 1608 5.00% D	
		R318	79096216	0RH3901C622	RESISTOR,METAL GLAZED(CHIP)	3.9K OHM 1 / 16 W 1608 5.00% D	
		R319	79093046	0RH5600C622	RESISTOR,METAL GLAZED(CHIP)	560 OHM 1 / 16 W 1608 5.00% D	

TOSHIBA MODEL : SD-34VBSB

NSP : Not available as service parts.
 RUN DATE : 28-JUNE-04

S	AL	LOCA. NO.	TOSHIBA P/NO	LG PART NO.	DESCRIPTION	SPECIFICATION	REMARKS
		R320	AF000312	0RH1800C622	RESISTOR,METAL GLAZED(CHIP)	180 OHM 1 / 16 W 1608 5.00% D	
		R321	79093031	0RH1201C622	RESISTOR,METAL GLAZED(CHIP)	1.2K OHM 1 / 16 W 1608 5.00% D	
		R322	79096480	0RH8201C622	RESISTOR,METAL GLAZED(CHIP)	8.2K OHM 1 / 16 W 1608 5.00% D	
		R324	AF000317	0RH3303C622	RESISTOR,METAL GLAZED(CHIP)	330K OHM 1 / 16 W 1608 5.00% D	
		R325	79093031	0RH1201C622	RESISTOR,METAL GLAZED(CHIP)	1.2K OHM 1 / 16 W 1608 5.00% D	
		R326	79093032	0RH1202C622	RESISTOR,METAL GLAZED(CHIP)	12K OHM 1 / 16 W 1608 5.00% D	
		R327	79093047	0RH5601C622	RESISTOR,METAL GLAZED(CHIP)	5.6K OHM 1 / 16 W 1608 5.00% D	
		R328	AF000314	0RH2700C622	RESISTOR,METAL GLAZED(CHIP)	270 OHM 1 / 16 W 1608 5.00% D	
		R329	79093032	0RH1202C622	RESISTOR,METAL GLAZED(CHIP)	12K OHM 1 / 16 W 1608 5.00% D	
		R330	79093029	0RH1002C622	RESISTOR,METAL GLAZED(CHIP)	10K OHM 1 / 16 W 1608 5.00% D	
		R331	79093045	0RH4701C622	RESISTOR,METAL GLAZED(CHIP)	4.7K OHM 1 / 16 W 1608 5.00% D	
		R332	79098773	0RH4702C622	RESISTOR,METAL GLAZED(CHIP)	47K OHM 1 / 16 W 1608 5.00% D	
		R333	79096361	0RH3901C622	RESISTOR,METAL GLAZED(CHIP)	3.9K OHM 1 / 16 W 1608 5.00% D	
		R333	79096216	0RH3901C622	RESISTOR,METAL GLAZED(CHIP)	3.9K OHM 1 / 16 W 1608 5.00% D	
		R334	AF000315	0RH2701C622	RESISTOR,METAL GLAZED(CHIP)	2.7K OHM 1 / 16 W 1608 5.00% D	
		R335	79093050	0RH6801C622	RESISTOR,METAL GLAZED(CHIP)	6.8K OHM 1 / 16 W 1608 5.00% D	
		R336	79096030	0RH1003C622	RESISTOR,METAL GLAZED(CHIP)	100K OHM 1 / 16 W 1608 5.00% D	
		R337	79098770	0RH1801C622	RESISTOR,METAL GLAZED(CHIP)	1.8K OHM 1 / 16 W 1608 5.00% D	
		R338	AF000314	0RH2700C622	RESISTOR,METAL GLAZED(CHIP)	270 OHM 1 / 16 W 1608 5.00% D	
		R339	AF000314	0RH2700C622	RESISTOR,METAL GLAZED(CHIP)	270 OHM 1 / 16 W 1608 5.00% D	
		R340	79093037	0RH1802C622	RESISTOR,METAL GLAZED(CHIP)	18K OHM 1 / 16 W 1608 5.00% D	
		R342	79098767	0RH1001C622	RESISTOR,METAL GLAZED(CHIP)	1K OHM 1 / 16 W 1608 5.00% D	
		R343	79098767	0RH1001C622	RESISTOR,METAL GLAZED(CHIP)	1K OHM 1 / 16 W 1608 5.00% D	
		R345	79093031	0RH1201C622	RESISTOR,METAL GLAZED(CHIP)	1.2K OHM 1 / 16 W 1608 5.00% D	
		R346	79093020	0RH0000C622	RESISTOR,METAL GLAZED(CHIP)	0 OHM 1 / 16 W 1608 5.00% D	
		R347	79098767	0RH1001C622	RESISTOR,METAL GLAZED(CHIP)	1K OHM 1 / 16 W 1608 5.00% D	
		R348	AF000311	0RH1504C622	RESISTOR,METAL GLAZED(CHIP)	1.5M OHM 1 / 16 W 1608 5.00% D	
		R349	79098770	0RH1801C622	RESISTOR,METAL GLAZED(CHIP)	1.8K OHM 1 / 16 W 1608 5.00% D	
		R350	79093029	0RH1002C622	RESISTOR,METAL GLAZED(CHIP)	10K OHM 1 / 16 W 1608 5.00% D	
		R351	AF000322	0RH8203C622	RESISTOR,METAL GLAZED(CHIP)	820K OHM 1 / 16 W 1608 5.00% D	
		R352	79093041	0RH3300C622	RESISTOR,METAL GLAZED(CHIP)	330 OHM 1 / 16 W 1608 5.00% D	
		R353	79093041	0RH3300C622	RESISTOR,METAL GLAZED(CHIP)	330 OHM 1 / 16 W 1608 5.00% D	
		R356	79098767	0RH1001C622	RESISTOR,METAL GLAZED(CHIP)	1K OHM 1 / 16 W 1608 5.00% D	
		R365	79093031	0RH1201C622	RESISTOR,METAL GLAZED(CHIP)	1.2K OHM 1 / 16 W 1608 5.00% D	
		R366	79093020	0RH0000C622	RESISTOR,METAL GLAZED(CHIP)	0 OHM 1 / 16 W 1608 5.00% D	
		R367	79093020	0RH0000C622	RESISTOR,METAL GLAZED(CHIP)	0 OHM 1 / 16 W 1608 5.00% D	
		R368	79098767	0RH1001C622	RESISTOR,METAL GLAZED(CHIP)	1K OHM 1 / 16 W 1608 5.00% D	
		R375	79093031	0RH1201C622	RESISTOR,METAL GLAZED(CHIP)	1.2K OHM 1 / 16 W 1608 5.00% D	
		R401	79098767	0RH1001C622	RESISTOR,METAL GLAZED(CHIP)	1K OHM 1 / 16 W 1608 5.00% D	
		R402	79093020	0RH0000C622	RESISTOR,METAL GLAZED(CHIP)	0 OHM 1 / 16 W 1608 5.00% D	
		R403	79093020	0RH0000C622	RESISTOR,METAL GLAZED(CHIP)	0 OHM 1 / 16 W 1608 5.00% D	
		R404	79093020	0RH0000C622	RESISTOR,METAL GLAZED(CHIP)	0 OHM 1 / 16 W 1608 5.00% D	
		R405	79093020	0RH0000C622	RESISTOR,METAL GLAZED(CHIP)	0 OHM 1 / 16 W 1608 5.00% D	
		R407	79093047	0RH5601C622	RESISTOR,METAL GLAZED(CHIP)	5.6K OHM 1 / 16 W 1608 5.00% D	
		R408	79093050	0RH6801C622	RESISTOR,METAL GLAZED(CHIP)	6.8K OHM 1 / 16 W 1608 5.00% D	
		R409	79093050	0RH6801C622	RESISTOR,METAL GLAZED(CHIP)	6.8K OHM 1 / 16 W 1608 5.00% D	
		R410	79093050	0RH6801C622	RESISTOR,METAL GLAZED(CHIP)	6.8K OHM 1 / 16 W 1608 5.00% D	
		R411	79093050	0RH6801C622	RESISTOR,METAL GLAZED(CHIP)	6.8K OHM 1 / 16 W 1608 5.00% D	
		R412	79096480	0RH8201C622	RESISTOR,METAL GLAZED(CHIP)	8.2K OHM 1 / 16 W 1608 5.00% D	
		R413	79098770	0RH1801C622	RESISTOR,METAL GLAZED(CHIP)	1.8K OHM 1 / 16 W 1608 5.00% D	
		R414	79098770	0RH1801C622	RESISTOR,METAL GLAZED(CHIP)	1.8K OHM 1 / 16 W 1608 5.00% D	
		R415	79096480	0RH8201C622	RESISTOR,METAL GLAZED(CHIP)	8.2K OHM 1 / 16 W 1608 5.00% D	
		R416	79098770	0RH1801C622	RESISTOR,METAL GLAZED(CHIP)	1.8K OHM 1 / 16 W 1608 5.00% D	
		R417	79093045	0RH4701C622	RESISTOR,METAL GLAZED(CHIP)	4.7K OHM 1 / 16 W 1608 5.00% D	
		R418	79096480	0RH8201C622	RESISTOR,METAL GLAZED(CHIP)	8.2K OHM 1 / 16 W 1608 5.00% D	
		R419	79096480	0RH8201C622	RESISTOR,METAL GLAZED(CHIP)	8.2K OHM 1 / 16 W 1608 5.00% D	
		R420	79098770	0RH1801C622	RESISTOR,METAL GLAZED(CHIP)	1.8K OHM 1 / 16 W 1608 5.00% D	
		R421	79093041	0RH3300C622	RESISTOR,METAL GLAZED(CHIP)	330 OHM 1 / 16 W 1608 5.00% D	
		R422	79093041	0RH3300C622	RESISTOR,METAL GLAZED(CHIP)	330 OHM 1 / 16 W 1608 5.00% D	
		R423	79098767	0RH1001C622	RESISTOR,METAL GLAZED(CHIP)	1K OHM 1 / 16 W 1608 5.00% D	
		R424	79098767	0RH1001C622	RESISTOR,METAL GLAZED(CHIP)	1K OHM 1 / 16 W 1608 5.00% D	
		R425	79098767	0RH1001C622	RESISTOR,METAL GLAZED(CHIP)	1K OHM 1 / 16 W 1608 5.00% D	
		R426	79098767	0RH1001C622	RESISTOR,METAL GLAZED(CHIP)	1K OHM 1 / 16 W 1608 5.00% D	
		R427	79098767	0RH1001C622	RESISTOR,METAL GLAZED(CHIP)	1K OHM 1 / 16 W 1608 5.00% D	
		R501	79093027	0RH1000C622	RESISTOR,METAL GLAZED(CHIP)	100 OHM 1 / 16 W 1608 5.00% D	
		R502	79093027	0RH1000C622	RESISTOR,METAL GLAZED(CHIP)	100 OHM 1 / 16 W 1608 5.00% D	
		R503	79093045	0RH4701C622	RESISTOR,METAL GLAZED(CHIP)	4.7K OHM 1 / 16 W 1608 5.00% D	
		R504	79098767	0RH1001C622	RESISTOR,METAL GLAZED(CHIP)	1K OHM 1 / 16 W 1608 5.00% D	
		R505	79098767	0RH1001C622	RESISTOR,METAL GLAZED(CHIP)	1K OHM 1 / 16 W 1608 5.00% D	
		R506	79093020	0RH0000C622	RESISTOR,METAL GLAZED(CHIP)	0 OHM 1 / 16 W 1608 5.00% D	
		R508	79093042	0RH3301C622	RESISTOR,METAL GLAZED(CHIP)	3.3K OHM 1 / 16 W 1608 5.00% D	
		R509	79098770	0RH1801C622	RESISTOR,METAL GLAZED(CHIP)	1.8K OHM 1 / 16 W 1608 5.00% D	
		R510	79093039	0RH2201C622	RESISTOR,METAL GLAZED(CHIP)	2.2K OHM 1 / 16 W 1608 5.00% D	
		R511	79098767	0RH1001C622	RESISTOR,METAL GLAZED(CHIP)	1K OHM 1 / 16 W 1608 5.00% D	
		R512	79098767	0RH1001C622	RESISTOR,METAL GLAZED(CHIP)	1K OHM 1 / 16 W 1608 5.00% D	

TOSHIBA MODEL : SD-34VBSB

NSP : Not available as service parts.
 RUN DATE : 28-JUNE-04

S	AL	LOCA. NO.	TOSHIBA P/NO	LG PART NO.	DESCRIPTION	SPECIFICATION	REMARKS
		R513	79098767	0RH1001C622	RESISTOR,METAL GLAZED(CHIP)	1K OHM 1 / 16 W 1608 5.00% D	
		R514	AF000310	0RH1203C622	RESISTOR,METAL GLAZED(CHIP)	120K OHM 1 / 16 W 1608 5.00% D	
		R515	AF000314	0RH2700C622	RESISTOR,METAL GLAZED(CHIP)	270 OHM 1 / 16 W 1608 5.00% D	
		R516	79096217	0RH4703C622	RESISTOR,METAL GLAZED(CHIP)	470K OHM 1 / 16 W 1608 5.00% D	
		R517	79093044	0RH4700C622	RESISTOR,METAL GLAZED(CHIP)	470 OHM 1 / 16 W 1608 5.00% D	
		R518	79098767	0RH1001C622	RESISTOR,METAL GLAZED(CHIP)	1K OHM 1 / 16 W 1608 5.00% D	
		R519	79093045	0RH4701C622	RESISTOR,METAL GLAZED(CHIP)	4.7K OHM 1 / 16 W 1608 5.00% D	
		R520	79096361	0RH3901C622	RESISTOR,METAL GLAZED(CHIP)	3.9K OHM 1 / 16 W 1608 5.00% D	
		R520	79096216	0RH3901C622	RESISTOR,METAL GLAZED(CHIP)	3.9K OHM 1 / 16 W 1608 5.00% D	
		R521	79093045	0RH4701C622	RESISTOR,METAL GLAZED(CHIP)	4.7K OHM 1 / 16 W 1608 5.00% D	
		R522	79098767	0RH1001C622	RESISTOR,METAL GLAZED(CHIP)	1K OHM 1 / 16 W 1608 5.00% D	
		R523	79093029	0RH1002C622	RESISTOR,METAL GLAZED(CHIP)	10K OHM 1 / 16 W 1608 5.00% D	
		R524	79093023	0RH0222C622	RESISTOR,METAL GLAZED(CHIP)	22 OHM 1 / 16 W 1608 5.00% D	
		R525	79093047	0RH5601C622	RESISTOR,METAL GLAZED(CHIP)	5.6K OHM 1 / 16 W 1608 5.00% D	
		R526	79093047	0RH5601C622	RESISTOR,METAL GLAZED(CHIP)	5.6K OHM 1 / 16 W 1608 5.00% D	
		R527	79098767	0RH1001C622	RESISTOR,METAL GLAZED(CHIP)	1K OHM 1 / 16 W 1608 5.00% D	
		R528	79093045	0RH4701C622	RESISTOR,METAL GLAZED(CHIP)	4.7K OHM 1 / 16 W 1608 5.00% D	
		R529	79093029	0RH1002C622	RESISTOR,METAL GLAZED(CHIP)	10K OHM 1 / 16 W 1608 5.00% D	
		R530	79093045	0RH4701C622	RESISTOR,METAL GLAZED(CHIP)	4.7K OHM 1 / 16 W 1608 5.00% D	
		R531	79093029	0RH1002C622	RESISTOR,METAL GLAZED(CHIP)	10K OHM 1 / 16 W 1608 5.00% D	
		R535	79096217	0RH4703C622	RESISTOR,METAL GLAZED(CHIP)	470K OHM 1 / 16 W 1608 5.00% D	
		R536	79093020	0RH0000C622	RESISTOR,METAL GLAZED(CHIP)	0 OHM 1 / 16 W 1608 5.00% D	
		R537	79098767	0RH1001C622	RESISTOR,METAL GLAZED(CHIP)	1K OHM 1 / 16 W 1608 5.00% D	
		R538	79098767	0RH1001C622	RESISTOR,METAL GLAZED(CHIP)	1K OHM 1 / 16 W 1608 5.00% D	
		R539	79098767	0RH1001C622	RESISTOR,METAL GLAZED(CHIP)	1K OHM 1 / 16 W 1608 5.00% D	
		R542	79093039	0RH2201C622	RESISTOR,METAL GLAZED(CHIP)	2.2K OHM 1 / 16 W 1608 5.00% D	
		R543	79093027	0RH1000C622	RESISTOR,METAL GLAZED(CHIP)	100 OHM 1 / 16 W 1608 5.00% D	
		R544	79093045	0RH4701C622	RESISTOR,METAL GLAZED(CHIP)	4.7K OHM 1 / 16 W 1608 5.00% D	
		R545	79093020	0RH0000C622	RESISTOR,METAL GLAZED(CHIP)	0 OHM 1 / 16 W 1608 5.00% D	
		R546	79093047	0RH5601C622	RESISTOR,METAL GLAZED(CHIP)	5.6K OHM 1 / 16 W 1608 5.00% D	
		R547	79093032	0RH1202C622	RESISTOR,METAL GLAZED(CHIP)	12K OHM 1 / 16 W 1608 5.00% D	
		R548	79096030	0RH1003C622	RESISTOR,METAL GLAZED(CHIP)	100K OHM 1 / 16 W 1608 5.00% D	
		R550	79098771	0RH2200C622	RESISTOR,METAL GLAZED(CHIP)	220 OHM 1 / 16 W 1608 5.00% D	
		R553	79098771	0RH2200C622	RESISTOR,METAL GLAZED(CHIP)	220 OHM 1 / 16 W 1608 5.00% D	
		R555	79098771	0RH2200C622	RESISTOR,METAL GLAZED(CHIP)	220 OHM 1 / 16 W 1608 5.00% D	
		R556	79093040	0RH2202C622	RESISTOR,METAL GLAZED(CHIP)	22K OHM 1 / 16 W 1608 5.00% D	
		R557	79096557	0RH2702C622	RESISTOR,METAL GLAZED(CHIP)	27K OHM 1 / 16 W 1608 5.00% D	
		R558	79093040	0RH2202C622	RESISTOR,METAL GLAZED(CHIP)	22K OHM 1 / 16 W 1608 5.00% D	
		R559	79093045	0RH4701C622	RESISTOR,METAL GLAZED(CHIP)	4.7K OHM 1 / 16 W 1608 5.00% D	
		R560	79093045	0RH4701C622	RESISTOR,METAL GLAZED(CHIP)	4.7K OHM 1 / 16 W 1608 5.00% D	
		R561	79093046	0RH5600C622	RESISTOR,METAL GLAZED(CHIP)	560 OHM 1 / 16 W 1608 5.00% D	
		R562	79093046	0RH5600C622	RESISTOR,METAL GLAZED(CHIP)	560 OHM 1 / 16 W 1608 5.00% D	
		R563	79093047	0RH5601C622	RESISTOR,METAL GLAZED(CHIP)	5.6K OHM 1 / 16 W 1608 5.00% D	
		R564	79096557	0RH2702C622	RESISTOR,METAL GLAZED(CHIP)	27K OHM 1 / 16 W 1608 5.00% D	
		R566	79093045	0RH4701C622	RESISTOR,METAL GLAZED(CHIP)	4.7K OHM 1 / 16 W 1608 5.00% D	
		R567	79093029	0RH1002C622	RESISTOR,METAL GLAZED(CHIP)	10K OHM 1 / 16 W 1608 5.00% D	
		R568	AF000320	0RH6802C622	RESISTOR,METAL GLAZED(CHIP)	68K OHM 1 / 16 W 1608 5.00% D	
		R569	79093030	0RH1004C622	RESISTOR,METAL GLAZED(CHIP)	1M OHM 1 / 16 W 1608 5.00% D	
		R570	79093045	0RH4701C622	RESISTOR,METAL GLAZED(CHIP)	4.7K OHM 1 / 16 W 1608 5.00% D	
		R575	79093045	0RH4701C622	RESISTOR,METAL GLAZED(CHIP)	4.7K OHM 1 / 16 W 1608 5.00% D	
		R576	79093045	0RH4701C622	RESISTOR,METAL GLAZED(CHIP)	4.7K OHM 1 / 16 W 1608 5.00% D	
		R577	79093045	0RH4701C622	RESISTOR,METAL GLAZED(CHIP)	4.7K OHM 1 / 16 W 1608 5.00% D	
		R578	79093045	0RH4701C622	RESISTOR,METAL GLAZED(CHIP)	4.7K OHM 1 / 16 W 1608 5.00% D	
		R579	79098774	0RH5602C622	RESISTOR,METAL GLAZED(CHIP)	56K OHM 1 / 16 W 1608 5.00% D	
		R582	79093027	0RH1000C622	RESISTOR,METAL GLAZED(CHIP)	100 OHM 1 / 16 W 1608 5.00% D	
		R583	79093029	0RH1002C622	RESISTOR,METAL GLAZED(CHIP)	10K OHM 1 / 16 W 1608 5.00% D	
		R589	79093030	0RH1004C622	RESISTOR,METAL GLAZED(CHIP)	1M OHM 1 / 16 W 1608 5.00% D	
		R591	79096030	0RH1003C622	RESISTOR,METAL GLAZED(CHIP)	100K OHM 1 / 16 W 1608 5.00% D	
		R5A2	79093029	0RH1002C622	RESISTOR,METAL GLAZED(CHIP)	10K OHM 1 / 16 W 1608 5.00% D	
		R5A3	79093029	0RH1002C622	RESISTOR,METAL GLAZED(CHIP)	10K OHM 1 / 16 W 1608 5.00% D	
		R5A5	79096217	0RH4703C622	RESISTOR,METAL GLAZED(CHIP)	470K OHM 1 / 16 W 1608 5.00% D	
		R5B3	79098767	0RH1001C622	RESISTOR,METAL GLAZED(CHIP)	1K OHM 1 / 16 W 1608 5.00% D	
		R5B4	79098767	0RH1001C622	RESISTOR,METAL GLAZED(CHIP)	1K OHM 1 / 16 W 1608 5.00% D	
		R5B5	79093027	0RH1000C622	RESISTOR,METAL GLAZED(CHIP)	100 OHM 1 / 16 W 1608 5.00% D	
		R5C1	79098767	0RH1001C622	RESISTOR,METAL GLAZED(CHIP)	1K OHM 1 / 16 W 1608 5.00% D	
		R5C5	79098767	0RH1001C622	RESISTOR,METAL GLAZED(CHIP)	1K OHM 1 / 16 W 1608 5.00% D	
		R5C6	79098767	0RH1001C622	RESISTOR,METAL GLAZED(CHIP)	1K OHM 1 / 16 W 1608 5.00% D	
		R5C7	79098767	0RH1001C622	RESISTOR,METAL GLAZED(CHIP)	1K OHM 1 / 16 W 1608 5.00% D	
		R5C9	79093029	0RH1002C622	RESISTOR,METAL GLAZED(CHIP)	10K OHM 1 / 16 W 1608 5.00% D	
		R5G1	79093020	0RH0000C622	RESISTOR,METAL GLAZED(CHIP)	0 OHM 1 / 16 W 1608 5.00% D	
		R5G2	79093020	0RH0000C622	RESISTOR,METAL GLAZED(CHIP)	0 OHM 1 / 16 W 1608 5.00% D	
		R5K6	79093027	0RH1000C622	RESISTOR,METAL GLAZED(CHIP)	100 OHM 1 / 16 W 1608 5.00% D	
		R5K7	79093027	0RH1000C622	RESISTOR,METAL GLAZED(CHIP)	100 OHM 1 / 16 W 1608 5.00% D	
		R5K8	79093027	0RH1000C622	RESISTOR,METAL GLAZED(CHIP)	100 OHM 1 / 16 W 1608 5.00% D	
		R5P2	79093029	0RH1002C622	RESISTOR,METAL GLAZED(CHIP)	10K OHM 1 / 16 W 1608 5.00% D	

TOSHIBA MODEL : SD-34VBSB

NSP : Not available as service parts.
 RUN DATE : 28-JUNE-04

S	AL	LOCA. NO.	TOSHIBA P/NO	LG PART NO.	DESCRIPTION	SPECIFICATION	REMARKS
		R5P3	79093029	0RH1002C622	RESISTOR,METAL GLAZED(CHIP)	10K OHM 1 / 16 W 1608 5.00% D	
		R5R8	79098767	0RH1001C622	RESISTOR,METAL GLAZED(CHIP)	1K OHM 1 / 16 W 1608 5.00% D	
		R5S1	79093047	0RH5601C622	RESISTOR,METAL GLAZED(CHIP)	5.6K OHM 1 / 16 W 1608 5.00% D	
		R5S2	79093041	0RH3300C622	RESISTOR,METAL GLAZED(CHIP)	330 OHM 1 / 16 W 1608 5.00% D	
		R604	79093040	0RH2202C622	RESISTOR,METAL GLAZED(CHIP)	22K OHM 1 / 16 W 1608 5.00% D	
		R605	79093040	0RH2202C622	RESISTOR,METAL GLAZED(CHIP)	22K OHM 1 / 16 W 1608 5.00% D	
		R606	79093050	0RH6801C622	RESISTOR,METAL GLAZED(CHIP)	6.8K OHM 1 / 16 W 1608 5.00% D	
		R607	79093040	0RH2202C622	RESISTOR,METAL GLAZED(CHIP)	22K OHM 1 / 16 W 1608 5.00% D	
		R608	79093050	0RH6801C622	RESISTOR,METAL GLAZED(CHIP)	6.8K OHM 1 / 16 W 1608 5.00% D	
		R609	79093029	0RH1002C622	RESISTOR,METAL GLAZED(CHIP)	10K OHM 1 / 16 W 1608 5.00% D	
		R610	AF000119	0RH0332C622	RESISTOR,METAL GLAZED(CHIP)	33 OHM 1 / 16 W 1608 5.00% D	
		R610	79096209	0RH0332C622	RESISTOR,METAL GLAZED(CHIP)	33 OHM 1 / 16 W 1608 5.00% D	
		R611	79098767	0RH1001C622	RESISTOR,METAL GLAZED(CHIP)	1K OHM 1 / 16 W 1608 5.00% D	
		R612	AF000119	0RH0332C622	RESISTOR,METAL GLAZED(CHIP)	33 OHM 1 / 16 W 1608 5.00% D	
		R612	79096209	0RH0332C622	RESISTOR,METAL GLAZED(CHIP)	33 OHM 1 / 16 W 1608 5.00% D	
		R613	AF000119	0RH0332C622	RESISTOR,METAL GLAZED(CHIP)	33 OHM 1 / 16 W 1608 5.00% D	
		R613	79096209	0RH0332C622	RESISTOR,METAL GLAZED(CHIP)	33 OHM 1 / 16 W 1608 5.00% D	
		R614	AF000119	0RH0332C622	RESISTOR,METAL GLAZED(CHIP)	33 OHM 1 / 16 W 1608 5.00% D	
		R614	79096209	0RH0332C622	RESISTOR,METAL GLAZED(CHIP)	33 OHM 1 / 16 W 1608 5.00% D	
		R615	AF000119	0RH0332C622	RESISTOR,METAL GLAZED(CHIP)	33 OHM 1 / 16 W 1608 5.00% D	
		R615	79096209	0RH0332C622	RESISTOR,METAL GLAZED(CHIP)	33 OHM 1 / 16 W 1608 5.00% D	
		R616	AF000119	0RH0332C622	RESISTOR,METAL GLAZED(CHIP)	33 OHM 1 / 16 W 1608 5.00% D	
		R616	79096209	0RH0332C622	RESISTOR,METAL GLAZED(CHIP)	33 OHM 1 / 16 W 1608 5.00% D	
		R617	AF000119	0RH0332C622	RESISTOR,METAL GLAZED(CHIP)	33 OHM 1 / 16 W 1608 5.00% D	
		R617	79096209	0RH0332C622	RESISTOR,METAL GLAZED(CHIP)	33 OHM 1 / 16 W 1608 5.00% D	
		R620	AF000119	0RH0332C622	RESISTOR,METAL GLAZED(CHIP)	33 OHM 1 / 16 W 1608 5.00% D	
		R620	79096209	0RH0332C622	RESISTOR,METAL GLAZED(CHIP)	33 OHM 1 / 16 W 1608 5.00% D	
		R621	AF000119	0RH0332C622	RESISTOR,METAL GLAZED(CHIP)	33 OHM 1 / 16 W 1608 5.00% D	
		R621	79096209	0RH0332C622	RESISTOR,METAL GLAZED(CHIP)	33 OHM 1 / 16 W 1608 5.00% D	
		R622	79093020	0RH0000C622	RESISTOR,METAL GLAZED(CHIP)	0 OHM 1 / 16 W 1608 5.00% D	
		R624	79093020	0RH0000C622	RESISTOR,METAL GLAZED(CHIP)	0 OHM 1 / 16 W 1608 5.00% D	
		R625	AF000714	0RH0681C622	RESISTOR,METAL GLAZED(CHIP)	6.8 OHM 1 / 16 W 1608 5.00% D	
		R626	79096030	0RH1003C622	RESISTOR,METAL GLAZED(CHIP)	100K OHM 1 / 16 W 1608 5.00% D	
		R627	79093035	0RH1502C622	RESISTOR,METAL GLAZED(CHIP)	15K OHM 1 / 16 W 1608 5.00% D	
		R628	79093029	0RH1002C622	RESISTOR,METAL GLAZED(CHIP)	10K OHM 1 / 16 W 1608 5.00% D	
		R629	79093020	0RH0000C622	RESISTOR,METAL GLAZED(CHIP)	0 OHM 1 / 16 W 1608 5.00% D	
		R630	79093020	0RH0000C622	RESISTOR,METAL GLAZED(CHIP)	0 OHM 1 / 16 W 1608 5.00% D	
		R631	79098767	0RH1001C622	RESISTOR,METAL GLAZED(CHIP)	1K OHM 1 / 16 W 1608 5.00% D	
		R632	79098767	0RH1001C622	RESISTOR,METAL GLAZED(CHIP)	1K OHM 1 / 16 W 1608 5.00% D	
		R649	79093020	0RH0000C622	RESISTOR,METAL GLAZED(CHIP)	0 OHM 1 / 16 W 1608 5.00% D	
		R656	79093031	0RH1201C622	RESISTOR,METAL GLAZED(CHIP)	1.2K OHM 1 / 16 W 1608 5.00% D	
		R657	79093031	0RH1201C622	RESISTOR,METAL GLAZED(CHIP)	1.2K OHM 1 / 16 W 1608 5.00% D	
		R658	79093031	0RH1201C622	RESISTOR,METAL GLAZED(CHIP)	1.2K OHM 1 / 16 W 1608 5.00% D	
		R659	79093031	0RH1201C622	RESISTOR,METAL GLAZED(CHIP)	1.2K OHM 1 / 16 W 1608 5.00% D	
		R666	79096030	0RH1003C622	RESISTOR,METAL GLAZED(CHIP)	100K OHM 1 / 16 W 1608 5.00% D	
		R671	79096547	0RJ7503C677	RESISTOR,METAL GLAZED(CHIP)	750K OHM 1/16 W 5% 1608 R/TP	
		R683	79093045	0RH4701C622	RESISTOR,METAL GLAZED(CHIP)	4.7K OHM 1 / 16 W 1608 5.00% D	
		R684	79093045	0RH4701C622	RESISTOR,METAL GLAZED(CHIP)	4.7K OHM 1 / 16 W 1608 5.00% D	
		R685	79093045	0RH4701C622	RESISTOR,METAL GLAZED(CHIP)	4.7K OHM 1 / 16 W 1608 5.00% D	
		R6D1	79093029	0RH1002C622	RESISTOR,METAL GLAZED(CHIP)	10K OHM 1 / 16 W 1608 5.00% D	
		R6D2	79093029	0RH1002C622	RESISTOR,METAL GLAZED(CHIP)	10K OHM 1 / 16 W 1608 5.00% D	
		R6H4	79093038	0RH2001C622	RESISTOR,METAL GLAZED(CHIP)	2K OHM 1 / 16 W 1608 5.00% D	
		R6H8	79093020	0RH0000C622	RESISTOR,METAL GLAZED(CHIP)	0 OHM 1 / 16 W 1608 5.00% D	
		R705	79098771	0RH2200C622	RESISTOR,METAL GLAZED(CHIP)	220 OHM 1 / 16 W 1608 5.00% D	
		R706	79098771	0RH2200C622	RESISTOR,METAL GLAZED(CHIP)	220 OHM 1 / 16 W 1608 5.00% D	
		R707	79098767	0RH1001C622	RESISTOR,METAL GLAZED(CHIP)	1K OHM 1 / 16 W 1608 5.00% D	
		R710	79093042	0RH3301C622	RESISTOR,METAL GLAZED(CHIP)	3.3K OHM 1 / 16 W 1608 5.00% D	
		R711	79093042	0RH3301C622	RESISTOR,METAL GLAZED(CHIP)	3.3K OHM 1 / 16 W 1608 5.00% D	
		R712	79093045	0RH4701C622	RESISTOR,METAL GLAZED(CHIP)	4.7K OHM 1 / 16 W 1608 5.00% D	
		R713	79093047	0RH5601C622	RESISTOR,METAL GLAZED(CHIP)	5.6K OHM 1 / 16 W 1608 5.00% D	
		R715	79093039	0RH2201C622	RESISTOR,METAL GLAZED(CHIP)	2.2K OHM 1 / 16 W 1608 5.00% D	
		R716	79098767	0RH1001C622	RESISTOR,METAL GLAZED(CHIP)	1K OHM 1 / 16 W 1608 5.00% D	
		R717	79093027	0RH1000C622	RESISTOR,METAL GLAZED(CHIP)	100 OHM 1 / 16 W 1608 5.00% D	
		R718	79093027	0RH1000C622	RESISTOR,METAL GLAZED(CHIP)	100 OHM 1 / 16 W 1608 5.00% D	
		R7M1	79098767	0RH1001C622	RESISTOR,METAL GLAZED(CHIP)	1K OHM 1 / 16 W 1608 5.00% D	
		R7M2	79098771	0RH2200C622	RESISTOR,METAL GLAZED(CHIP)	220 OHM 1 / 16 W 1608 5.00% D	
		R7M4	79098767	0RH1001C622	RESISTOR,METAL GLAZED(CHIP)	1K OHM 1 / 16 W 1608 5.00% D	
		R7M5	79098771	0RH2200C622	RESISTOR,METAL GLAZED(CHIP)	220 OHM 1 / 16 W 1608 5.00% D	
		R7V1	79093030	0RH1004C622	RESISTOR,METAL GLAZED(CHIP)	1M OHM 1 / 16 W 1608 5.00% D	
		R7V2	79096030	0RH1003C622	RESISTOR,METAL GLAZED(CHIP)	100K OHM 1 / 16 W 1608 5.00% D	
		R7V3	79093050	0RH6801C622	RESISTOR,METAL GLAZED(CHIP)	6.8K OHM 1 / 16 W 1608 5.00% D	
		R7V4	AF000319	0RH5603C622	RESISTOR,METAL GLAZED(CHIP)	560K OHM 1 / 16 W 1608 5.00% D	
		R7V5	79093050	0RH6801C622	RESISTOR,METAL GLAZED(CHIP)	6.8K OHM 1 / 16 W 1608 5.00% D	
		R7V6	AF000319	0RH5603C622	RESISTOR,METAL GLAZED(CHIP)	560K OHM 1 / 16 W 1608 5.00% D	
		R7V7	79093045	0RH4701C622	RESISTOR,METAL GLAZED(CHIP)	4.7K OHM 1 / 16 W 1608 5.00% D	

TOSHIBA MODEL : SD-34VBSB

NSP : Not available as service parts.
 RUN DATE : 28-JUNE-04

S	AL	LOCA. NO.	TOSHIBA P/NO	LG PART NO.	DESCRIPTION	SPECIFICATION	REMARKS
		R7V8	79093027	0RH1000C622	RESISTOR,METAL GLAZED(CHIP)	100 OHM 1 / 16 W 1608 5.00% D	
		R7V9	79093027	0RH1000C622	RESISTOR,METAL GLAZED(CHIP)	100 OHM 1 / 16 W 1608 5.00% D	
		R801	AF000318	0RH3304C622	RESISTOR,METAL GLAZED(CHIP)	3.3M OHM 1 / 16 W 1608 5.00% D	
		R802	79096215	0RH3302C622	RESISTOR,METAL GLAZED(CHIP)	33K OHM 1 / 16 W 1608 5.00% D	
		R803	AF000315	0RH2701C622	RESISTOR,METAL GLAZED(CHIP)	2.7K OHM 1 / 16 W 1608 5.00% D	
		R804	79093043	0RH3902C622	RESISTOR,METAL GLAZED(CHIP)	39K OHM 1 / 16 W 1608 5.00% D	
		R805	AF000315	0RH2701C622	RESISTOR,METAL GLAZED(CHIP)	2.7K OHM 1 / 16 W 1608 5.00% D	
		R806	79096215	0RH3302C622	RESISTOR,METAL GLAZED(CHIP)	33K OHM 1 / 16 W 1608 5.00% D	
		R807	79093044	0RH4700C622	RESISTOR,METAL GLAZED(CHIP)	470 OHM 1 / 16 W 1608 5.00% D	
		R808	79093029	0RH1002C622	RESISTOR,METAL GLAZED(CHIP)	10K OHM 1 / 16 W 1608 5.00% D	
		R809	79093037	0RH1802C622	RESISTOR,METAL GLAZED(CHIP)	18K OHM 1 / 16 W 1608 5.00% D	
		R810	79093027	0RH1000C622	RESISTOR,METAL GLAZED(CHIP)	100 OHM 1 / 16 W 1608 5.00% D	
		R811	79093027	0RH1000C622	RESISTOR,METAL GLAZED(CHIP)	100 OHM 1 / 16 W 1608 5.00% D	
		R812	79098767	0RH1001C622	RESISTOR,METAL GLAZED(CHIP)	1K OHM 1 / 16 W 1608 5.00% D	
		R821	79093039	0RH2201C622	RESISTOR,METAL GLAZED(CHIP)	2.2K OHM 1 / 16 W 1608 5.00% D	
		R822	79096030	0RH1003C622	RESISTOR,METAL GLAZED(CHIP)	100K OHM 1 / 16 W 1608 5.00% D	
		R823	79093039	0RH2201C622	RESISTOR,METAL GLAZED(CHIP)	2.2K OHM 1 / 16 W 1608 5.00% D	
		R824	79096030	0RH1003C622	RESISTOR,METAL GLAZED(CHIP)	100K OHM 1 / 16 W 1608 5.00% D	
		R825	79093039	0RH2201C622	RESISTOR,METAL GLAZED(CHIP)	2.2K OHM 1 / 16 W 1608 5.00% D	
		R826	79093039	0RH2201C622	RESISTOR,METAL GLAZED(CHIP)	2.2K OHM 1 / 16 W 1608 5.00% D	
		R850	79093027	0RH1000C622	RESISTOR,METAL GLAZED(CHIP)	100 OHM 1 / 16 W 1608 5.00% D	
		R851	79093027	0RH1000C622	RESISTOR,METAL GLAZED(CHIP)	100 OHM 1 / 16 W 1608 5.00% D	
		R861	79093045	0RH4701C622	RESISTOR,METAL GLAZED(CHIP)	4.7K OHM 1 / 16 W 1608 5.00% D	
		R862	79093045	0RH4701C622	RESISTOR,METAL GLAZED(CHIP)	4.7K OHM 1 / 16 W 1608 5.00% D	
		R863	79093045	0RH4701C622	RESISTOR,METAL GLAZED(CHIP)	4.7K OHM 1 / 16 W 1608 5.00% D	
		R864	79093045	0RH4701C622	RESISTOR,METAL GLAZED(CHIP)	4.7K OHM 1 / 16 W 1608 5.00% D	
		R865	79093045	0RH4701C622	RESISTOR,METAL GLAZED(CHIP)	4.7K OHM 1 / 16 W 1608 5.00% D	
		R866	79093020	0RH0000C622	RESISTOR,METAL GLAZED(CHIP)	0 OHM 1 / 16 W 1608 5.00% D	
		R867	79093020	0RH0000C622	RESISTOR,METAL GLAZED(CHIP)	0 OHM 1 / 16 W 1608 5.00% D	
		R868	79093020	0RH0000C622	RESISTOR,METAL GLAZED(CHIP)	0 OHM 1 / 16 W 1608 5.00% D	
		R874	79093025	0RH0752C622	RESISTOR,METAL GLAZED(CHIP)	75 OHM 1 / 16 W 1608 5.00% D	
		R875	79093045	0RH4701C622	RESISTOR,METAL GLAZED(CHIP)	4.7K OHM 1 / 16 W 1608 5.00% D	
		R876	79093045	0RH4701C622	RESISTOR,METAL GLAZED(CHIP)	4.7K OHM 1 / 16 W 1608 5.00% D	
		R881	79093045	0RH4701C622	RESISTOR,METAL GLAZED(CHIP)	4.7K OHM 1 / 16 W 1608 5.00% D	
		R882	79093045	0RH4701C622	RESISTOR,METAL GLAZED(CHIP)	4.7K OHM 1 / 16 W 1608 5.00% D	
		R891	79093045	0RH4701C622	RESISTOR,METAL GLAZED(CHIP)	4.7K OHM 1 / 16 W 1608 5.00% D	
		R892	79093045	0RH4701C622	RESISTOR,METAL GLAZED(CHIP)	4.7K OHM 1 / 16 W 1608 5.00% D	
		R901	79093032	0RH1202C622	RESISTOR,METAL GLAZED(CHIP)	12K OHM 1 / 16 W 1608 5.00% D	
		R902	79093029	0RH1002C622	RESISTOR,METAL GLAZED(CHIP)	10K OHM 1 / 16 W 1608 5.00% D	
		R903	79093025	0RH0752C622	RESISTOR,METAL GLAZED(CHIP)	75 OHM 1 / 16 W 1608 5.00% D	
		R904	79093046	0RH5600C622	RESISTOR,METAL GLAZED(CHIP)	560 OHM 1 / 16 W 1608 5.00% D	
		R905	79093046	0RH5600C622	RESISTOR,METAL GLAZED(CHIP)	560 OHM 1 / 16 W 1608 5.00% D	
		R906	79093046	0RH5600C622	RESISTOR,METAL GLAZED(CHIP)	560 OHM 1 / 16 W 1608 5.00% D	
		R907	79093046	0RH5600C622	RESISTOR,METAL GLAZED(CHIP)	560 OHM 1 / 16 W 1608 5.00% D	
		R908	79093025	0RH0752C622	RESISTOR,METAL GLAZED(CHIP)	75 OHM 1 / 16 W 1608 5.00% D	
		R909	79093025	0RH0752C622	RESISTOR,METAL GLAZED(CHIP)	75 OHM 1 / 16 W 1608 5.00% D	
		R910	79093025	0RH0752C622	RESISTOR,METAL GLAZED(CHIP)	75 OHM 1 / 16 W 1608 5.00% D	
		R913	79093025	0RH0752C622	RESISTOR,METAL GLAZED(CHIP)	75 OHM 1 / 16 W 1608 5.00% D	
		R914	79093025	0RH0752C622	RESISTOR,METAL GLAZED(CHIP)	75 OHM 1 / 16 W 1608 5.00% D	
		R919	79098768	0RH1100C622	RESISTOR,METAL GLAZED(CHIP)	110 OHM 1 / 16 W 1608 5.00% D	
		R920	79093025	0RH0752C622	RESISTOR,METAL GLAZED(CHIP)	75 OHM 1 / 16 W 1608 5.00% D	
		R921	79098768	0RH1100C622	RESISTOR,METAL GLAZED(CHIP)	110 OHM 1 / 16 W 1608 5.00% D	
		R922	79093023	0RH0222C622	RESISTOR,METAL GLAZED(CHIP)	22 OHM 1 / 16 W 1608 5.00% D	
		R923	79093020	0RH0000C622	RESISTOR,METAL GLAZED(CHIP)	0 OHM 1 / 16 W 1608 5.00% D	
		R924	79093020	0RH0000C622	RESISTOR,METAL GLAZED(CHIP)	0 OHM 1 / 16 W 1608 5.00% D	
		R925	79093020	0RH0000C622	RESISTOR,METAL GLAZED(CHIP)	0 OHM 1 / 16 W 1608 5.00% D	
		R927	79098767	0RH1001C622	RESISTOR,METAL GLAZED(CHIP)	1K OHM 1 / 16 W 1608 5.00% D	
		R930	79098767	0RH1001C622	RESISTOR,METAL GLAZED(CHIP)	1K OHM 1 / 16 W 1608 5.00% D	
		R933	79093025	0RH0752C622	RESISTOR,METAL GLAZED(CHIP)	75 OHM 1 / 16 W 1608 5.00% D	
		R934	79093025	0RH0752C622	RESISTOR,METAL GLAZED(CHIP)	75 OHM 1 / 16 W 1608 5.00% D	
		R935	79098767	0RH1001C622	RESISTOR,METAL GLAZED(CHIP)	1K OHM 1 / 16 W 1608 5.00% D	
		R937	79093023	0RH0222C622	RESISTOR,METAL GLAZED(CHIP)	22 OHM 1 / 16 W 1608 5.00% D	
		R938	79093023	0RH0222C622	RESISTOR,METAL GLAZED(CHIP)	22 OHM 1 / 16 W 1608 5.00% D	
		R939	79093025	0RH0752C622	RESISTOR,METAL GLAZED(CHIP)	75 OHM 1 / 16 W 1608 5.00% D	
		R940	79093025	0RH0752C622	RESISTOR,METAL GLAZED(CHIP)	75 OHM 1 / 16 W 1608 5.00% D	
		R941	79093025	0RH0752C622	RESISTOR,METAL GLAZED(CHIP)	75 OHM 1 / 16 W 1608 5.00% D	
		R942	79093025	0RH0752C622	RESISTOR,METAL GLAZED(CHIP)	75 OHM 1 / 16 W 1608 5.00% D	
		R943	79093025	0RH0752C622	RESISTOR,METAL GLAZED(CHIP)	75 OHM 1 / 16 W 1608 5.00% D	
		R944	79093025	0RH0752C622	RESISTOR,METAL GLAZED(CHIP)	75 OHM 1 / 16 W 1608 5.00% D	
		R945	AF000312	0RH1800C622	RESISTOR,METAL GLAZED(CHIP)	180 OHM 1 / 16 W 1608 5.00% D	
		R962	79093033	0RH1500C422	RESISTOR,METAL GLAZED(CHIP)	150 OHM 1 / 16 W 1608 1.00% D	
		R970	79093033	0RH1500C422	RESISTOR,METAL GLAZED(CHIP)	150 OHM 1 / 16 W 1608 1.00% D	
		R972	79093033	0RH1500C422	RESISTOR,METAL GLAZED(CHIP)	150 OHM 1 / 16 W 1608 1.00% D	
		R974	79093033	0RH1500C422	RESISTOR,METAL GLAZED(CHIP)	150 OHM 1 / 16 W 1608 1.00% D	
		R975	79093033	0RH1500C422	RESISTOR,METAL GLAZED(CHIP)	150 OHM 1 / 16 W 1608 1.00% D	

TOSHIBA MODEL : SD-34VBSB

NSP : Not available as service parts.
 RUN DATE : 28-JUNE-04

S	AL	LOCA. NO.	TOSHIBA P/NO	LG PART NO.	DESCRIPTION	SPECIFICATION	REMARKS
		R979	79093020	0RH0000C622	RESISTOR,METAL GLAZED(CHIP)	0 OHM 1 / 16 W 1608 5.00% D	
		R981	79093020	0RH0000C622	RESISTOR,METAL GLAZED(CHIP)	0 OHM 1 / 16 W 1608 5.00% D	
		RS501	AF000446	6500RAB008A	SENSOR	KIT-3001A REEL SENSOR KODENSHI	
		RS502	AF000446	6500RAB008A	SENSOR	KIT-3001A REEL SENSOR KODENSHI	
		SC901	AF000457	6612M00006A	JACK, SCART	DSAM-0341 DOOWON	
		TU701	AF000463	6700PFPL07F	TUNER	TADM-M101D(GKI,LGIT) LG INOTEK	
		TU701	AF000461	6700PFFG05F	TUNER	TCMK0601PD20C(GKI,SS) SS PAL F	
		X301	AF000438	6212AA2443Z	RESONATOR,CRYSTAL	HC-49S CSC/KITELCO 4.433619MHZ	
		X501	AF000080	6212AA2100C	RESONATOR,CRYSTAL	HC-49S BUBANG 10MHZ +/- 30 PPM	
		X501	AF000081	6212AA2100C	RESONATOR,CRYSTAL	HC-49S BUBANG 10MHZ +/- 30 PPM	
		X501	AF000079	6202R31001F	RESONATOR,CRYSTAL	HC-49S KEUMSEOK 10-0000MHZ 30P	
		X502	79096501	6202R-DA01B	RESONATOR,CRYSTAL	CFS-308 CITIZEN 32.768KHZ +/-	
		X502	AF000082	6212AC2327E	RESONATOR,CRYSTAL	C-001R SEIKO EPSON 32.768 KHZ	
		X601	79097346	6202R-BL06C	RESONATOR,CRYSTAL	HC-49/S BUBANG 27MHZ 20PPM 15	
		X751	79096507	529-021Q	RESONATOR,CRYSTAL	49U BUBANG 18432000HZ 30PPM 16	
		X751	AF000137	6212AA2184F	RESONATOR,CRYSTAL	HC-49U KYUNGIL 18.432MHZ +/- 3	
		ZD103	AF000292	0DZ132609BB	DIODE,ZENER	UZ-13BSA 26MM TP PYUNG CHANG	
		ZD507	79096017	0DZ562609BB	DIODE,ZENER	UZ-5.6BSB 26MM TP PYUNG CHANG	
		ZD508	79096017	0DZ562609BB	DIODE,ZENER	UZ-5.6BSB 26MM TP PYUNG CHANG	
		ZD601	79096317	0DZ562609AB	DIODE,ZENER	UZ-5.6BSC 26MM TP PYUNG CHANG	
		ZD602	79096317	0DZ562609AB	DIODE,ZENER	UZ-5.6BSC 26MM TP PYUNG CHANG	
		ZD603	79096317	0DZ562609AB	DIODE,ZENER	UZ-5.6BSC 26MM TP PYUNG CHANG	
		ZD801	AF000109	0DZKE00018A	DIODE,ZENERS	Z02W7.5V KEC R/TP SOT23 250MW	
		ZD802	AF000109	0DZKE00018A	DIODE,ZENERS	Z02W7.5V KEC R/TP SOT23 250MW	
*** DECK ASSEMBLY , VIDEO(VCR) ***							
		A00	AF000683	6721RF0954B	DECK ASSEMBLY,VIDEO	DECK/MECHA D37(M) DI (4HF,PAL,	NSP
		A01	AF000684	6723R-0603F	DRUM(CIRC) ASSEMBLY	DECK/MECHA (9P6S) D37-6CH PAL	
		A03	AF000380	4261R-0039A	ARM ASSEMBLY	DECK/MECHA CLEANER - D37	
		A11	AF000401	4471R-0017A	GEAR ASSEMBLY	DECK/MECHA P3 - D37	
		A12	AF000399	4471R-0015A	GEAR ASSEMBLY	DECK/MECHA P2 - D37	
		A21	AF000419	4931R-0084A	HOLDER ASSEMBLY	DECK/MECHA CST - D37	
		A22	AF000400	4471R-0016A	GEAR ASSEMBLY	DECK/MECHA RACK F/L - D37	
		A23	AF000379	4261R-0038A	ARM ASSEMBLY	DECK/MECHA F/L - D37	
		A24	AF000408	4511R-0005A	LEVER ASSEMBLY	SWITCH(C) - D37	
		003	AF000414	4930R-0449A	HOLDER	DECK/MECHA FPCB(6CH) - D37C MO	
		004	AF000429	5006R-0045A	CAP	DECK/MECHA FPCB - D37C MOLD	
		006	AF000056	4580R-0004A	ROLLER	CLEANER	NSP
		007	AF000376	4260R-0053A	ARM	DECK/MECHA CLEANER MOLD - D37	NSP
		008	AF000473	6850R-HG18Y	CABLE,FLAT	P=1.25 FFC UL2896(0.05X0.8) 7	
		009	AF000377	4260R-0056A	ARM	DECK/MECHA T/UP OTHER - D37	
		011	AF000381	4261R-0040A	ARM ASSEMBLY	DECK/MECHA TENSION - D37	
		012	AF000337	3041R-M037A	BASE ASSEMBLY	P2 -D37	
		012	AF000721	3041R-M037B	BASE ASSEMBLY	P2 - D37	
		013	AF000338	3041R-M038A	BASE ASSEMBLY	P3 - D37	
		013	AF000722	3041R-M038B	BASE ASSEMBLY	P3 - D37	
		014	AF000339	3041R-M039A	BASE ASSEMBLY	P4 - D37	
		015	AF000431	5870R-0007A	OPENER	DECK/MECHA LID OTHER - D37	
		016	AF000335	3041R-M036A	BASE ASSEMBLY	A/C HEAD (ALPS) - D37	
		016	AF000336	3041R-M036B	BASE ASSEMBLY	A/C HEAD (TDK) - D37	
		017	AF000388	4408R-0005A	REEL	DECK/MECHA S OTHER - D37	
		021	AF000391	4421R-M002A	BRAKE ASSEMBLY	T - D37	
		022	AF000447	6520D00004B	HEAD(CIRC)	ST ST FE HEAD FOR D37 13.5	
		023	AF000331	3040R-M056A	BASE	LOADING OTHER - D37	
		024	AF000382	4261R-0041A	ARM ASSEMBLY	DECK/MECHA IDLER(H)	
		026	AF000412	4681RF0039A	MOTOR ASSEMBLY	DECK/MECHA L/D - (DI) D37	
		027	AF000392	4470R-0133A	GEAR	DECK/MECHA WHEEL OTHER - D37	
		028	AF000389	4408R-0006A	REEL	DECK/MECHA T OTHER - D37	
		029	AF000378	4261R-0037A	ARM ASSEMBLY	DECK/MECHA PINCH - D37 (CHON P	
		029	AF000671	4261R-0037B	ARM ASSEMBLY	DECK/MECHA PINCH - D37 (YAMAUC	
		029	AF000663	4261R-0037C	ARM ASSEMBLY	DECK/MECHA PINCH - D37 (MEIJI)	
		031	AF000427	4970R-0175A	SPRING	COIL TENSION - D37	
		032	AF000344	3141R-M002A	CHASSIS ASSEMBLY	D37	NSP
		051	79096414	4400R-0005A	BELT	CAPSTAN	
		052	AF000409	4680R-A015A	MOTOR(MECH)	CAPSTAN F2QVB66 SANKYO FOR D37	
		052	AF000411	4680R-A017A	MOTOR(MECH)	CAPSTAN DMVCMC20L SAMSUNG FOR	
		052	AF000410	4680R-A016A	MOTOR(MECH)	CAPSTAN MCVC-037AA LGIT FOR D3	
		052A	AF000428	4980R-0029A	SUPPORTER	DECK/MECHA CAPSTAN OTHER - D37	
		054	AF000395	4470R-0136A	GEAR	DECK/MECHA RACK F/L OTHER - D3	
		054A	AF000425	4970R-0171A	SPRING	COIL RACK F/L - D37	
		055	AF000397	4470R-0140A	GEAR	DECK/MECHA DRIVE OTHER - D37	
		056	AF000396	4470R-0139A	GEAR	DECK/MECHA CAM OTHER - D37	
		058	AF000390	4421R-M001A	BRAKE ASSEMBLY	CAPSTAN -D37	
		060	AF000406	4510R-0065A	LEVER	DECK/MECHA F/R OTHER - D37	
		061	AF000387	4265R-0008A	CLUTCH ASSEMBLY	DECK/MECHA D37(M)	
		064	AF000398	4470R-0141A	GEAR	DECK/MECHA SECTOR OTHER - D37	

TOSHIBA MODEL : SD-34VBSB

NSP : Not available as service parts.
 RUN DATE : 28-JUNE-04

S	AL	LOCA. NO.	TOSHIBA P/NO	LG PART NO.	DESCRIPTION	SPECIFICATION	REMARKS
		065	AF000385	4261R-0044A	ARM ASSEMBLY	DECK/MECHA P3 - D37	NSP
		066	AF000073	4970R-0122A	SPRING	COIL D35	NSP
		067	AF000394	4470R-0135A	GEAR	DECK/MECHA P3 OTHER - D37	NSP
		068	AF000393	4470R-0134A	GEAR	DECK/MECHA P2 OTHER - D37	NSP
		069	AF000073	4970R-0122A	SPRING	COIL D35	NSP
		070	AF000384	4261R-0043A	ARM ASSEMBLY	DECK/MECHA P2 - D37	NSP
		076	AF000404	4510R-0063A	LEVER	DECK/MECHA SPRING OTHER - D37	
		077	AF000350	3300R-M203A	PLATE	SLIDER OTHER - D37	
		078	AF000403	4510R-0062A	LEVER	DECK/MECHA TENSION OTHER - D37	
		079	AF000332	3040R-M057A	BASE	TENSION OTHER - D37	
		080	AF000405	4510R-0064A	LEVER	DECK/MECHA BRAKE OTHER - D37	
		100	AF000352	3301R-M193A	PLATE ASSEMBLY	TOP - D37	
		102	AF000426	4970R-0173A	SPRING	COIL STOPPER - D37	
		103	AF000417	4930R-0452A	HOLDER	DECK/MECHA SIDE (L) OTHER - D3	NSP
		105	AF000415	4930R-0450A	HOLDER	DECK/MECHA CST OTHER - D37	NSP
		106	AF000416	4930R-0451A	HOLDER	DECK/MECHA SIDE(R) OTHER - D37	NSP
		107	AF000402	4510R-0061A	LEVER	DECK/MECHA STOPPER OTHER - D37	NSP
		109	AF000432	5870R-0008A	OPENER	DECK/MECHA DOOR OTHER - D37	
		110	AF000374	4260R-0051A	ARM	DECK/MECHA F/L(L) OTHER - D37	NSP
		112	AF000021	3070R-0002A	BODY	F/L	NSP
		113	AF000424	4970R-0169A	SPRING	COIL F/L(R) - D37	NSP
		114	AF000375	4260R-0052A	ARM	DECK/MECHA F/L (R) OTHER - D37	NSP
		115	AF000407	4510R-0070A	LEVER	DECK/MECHA SWITCH(C) OTHER - D	
		116	AF000423	4970R-0163A	SPRING	COIL D35S SWITCH	
		405	AF000718	1MPC0301270	SCREW MACHINE,PAN HEAD	D3.0 L3.5 SWRCH18A/FZW	
		406	79096381	1MEC0302018	PAN HEAD MACHINE SCREW S/W +	D 3.0 L 6.0 MSWR3/FZY	
		409	79096384	1SZZR-0032B	SCREW,DRAWING	+ 1 D2.6 L5.0 SWRCH18A/FZY TAP	
		410	79096379	1APF0262218	SCREW TAP TITE(B),PAN HEAD	D2.6 L6.8 MSWR3/FZY	
		517	79096386	1WZZR-0004D	WASHER,DRAWING	STOPPER	
		518	79096385	1WZZR-0004A	WASHER,DRAWING	STOPPER	
*** DECK ASSEMBLY , MD (DVD) ***							
		A26	AF000781	6721RF0384E	DECK ASSEMBLY,VIDEO	DVD DP-7C 1 BOARD (DI) MTK1389	NSP
		A01	79096511	4861R-0016C	CLAMP ASSEMBLY	DECK/MECHA DISC DP-7 (DI)	
		A02	AF000720	3041R-D014B	BASE ASSEMBLY	MAIN(DP-7C 1 BOARD SLIM MTK 13	
		A03	AF000723	3041R-M049A	BASE ASSEMBLY	SLED DP-7C 1BOARD	
		001	79097006	3300R-0547A	PLATE	CLAMP	NSP
		002	79097007	5016H-1016B	MAGNET	CLAMP(LDM-R608,10*5,1*1.5T)	NSP
		003	AF000069	4860R-0021A	CLAMP	UPPER DP7	NSP
		004	79097553	4930R-0171A	HOLDER	CLAMP	
		010	79097364	6850R-GK12A	CABLE,FLAT	P=1.0 FFC UL2896(0.05X0.65) 11	
		011	79096531	3210R-M002A	FRAME	UP/DOWN MOLD DP7C	
		011A	AF000474	6850R-JW20Z	CABLE,FLAT	P=1.0 FFC UL2896(0.035X0.7) 23	
		012	79096652	5040R-0075B	RUBBER	DAMPER DP7 (CHUNG PUNG 30)	
		012	AF000076	5040R-0075D	RUBBER	DAMPER DP7 (YAMAUCHI 30)	
		013	AF000050	4400R-0006B	BELT	DECK/MECHA DP2-5, DP7C,DP7A OT	
		014	79096235	4470R-0055A	GEAR	PULLEY	
		015	AF000784	6871RZ5130C	PWB(PCB) ASSEMBLY,OTHERS	SUB L/D (DP-4V,DVD+VCR) DI	
		015A	AF000751	4681R-A013A	MOTOR ASSEMBLY	DVD DP-7C1BOARD LOADING(DI MTK	
		015B	79096516	4560R-0008A	PULLEY	MOTOR	
		015C	79096515	4680HP2001A	MOTOR(MECH)	RF-300CH-11440(SHAFT 6.05L)M/C	
		015C	AF000064	4680R-D003A	MOTOR(MECH)	LOADING RF-300EH-1D390 MABUCHI	
		015C	AF000066	4680R-E010A	MOTOR(MECH)	FEEDING BCZ3B51 SANKYO FOR DP7	
		015C	AF000065	4680R-E009A	MOTOR(MECH)	FEEDING RF300EH-1D390 MABUCHI	
		017	79096236	4470R-0056A	GEAR	LOADING	
		018	79096240	4974R-0023A	GUIDE	UP/DOWN	
		020	AF000330	3040R-D006A	BASE	DP-7C(04.COMBI) MOLD 1-BOARD	NSP
		021	AF000062	4680R-C011A	MOTOR(MECH)	SPINDLE JCL9B68 SANKYO FOR COM	
		022	79096514	4681R-0034C	MOTOR ASSEMBLY	DECK/MECHA FEED DP-7C(DI)	
		024	AF000054	4470R-0131A	GEAR	PINION DP7C	
		024A	79096508	5006R-0044A	CAP	SKEW-T DP7C	
		024B	79096509	5006R-0043A	CAP	SKEW DP7C	
		025	79096518	4470R-0130A	GEAR	MIDDLE DP7C	
		026	AF000353	3390R-0017A	TRAY	DVD DISC(DP-7C-SLIM) MOLD	
		028	79096520	4370R-0082B	SHAFT	DECK/MECHA PU R DP-7C OTHER	
		029	AF000049	4370R-0082A	SHAFT	PU DP-7C	
		030	79096517	4471R-0013C	GEAR ASSEMBLY	DECK/MECHA RACK DP-7C(7A) DI	
		429	79096221	1SZZR-0012A	SCREW,DRAWING	B-TITE	
		430	79097901	1SZZH-1003A	SCREW,DRAWING	+ D2.0 6MM SWRCH16A/NIY 4.5MM	
		430	79097901	1SZZH-1003A	SCREW,DRAWING	+ D2.0 6MM SWRCH16A/NIY 4.5MM	
		431	79096220	1SZZH-1007B	SCREW,DRAWING	+ D2.0 6MM SWRCH16A/ZNBK 4MM 1	
		431	79096220	1SZZH-1007B	SCREW,DRAWING	+ D2.0 6MM SWRCH16A/ZNBK 4MM 1	
		433	79096541	1SZZR-0050A	SCREW,DRAWING	+ 1 D2.0 L4.5 SWRCH16A/ZNY S-T	
		435	79097902	1SZZR-0011A	SCREW,DRAWING	MACHINE	

NOTES) ⚠ Warning Parts that are shaded are critical With respect to risk of fire or electrical shock.

SECTION 6 REPLACEMENT PARTS LIST

TOSHIBA MODEL : SD-34VESE

NSP : Not available as service parts.

RUN DATE : 28-JUNE-04

S	AL	LOCA. NO.	TOSHIBA P/NO	LG PART NO.	DESCRIPTION	SPECIFICATION	REMARKS
*** INDIVIDUAL PARTS ***							
		250	AF000340	3110R-V024B	CASE	VBW8024 PRESS TOP A288G B:3,S:	
		274	AF000351	3300R-V103A	PLATE	TOSHIBA PRESS JACK	
		276	AF000418	4930R-0471A	HOLDER	VCR ONE BOARD SLIM MOLD HF-380	
	⚠	300	AF000445	6410RCHP02D	POWER CORD	HIT-102/H03VHH2-F (ST-HS:80MM)	
		457	79097907	353-051E	SCREW,DRAWING	SPECIAL (3X12)	
		462	AF000355	353-051K	SCREW,DRAWING	+ 2 D3.0 - MSWR3/FN L23.5 X13.	
		465	79097903	353-046K	SCREW,DRAWING	SPECIAL (3X10 B.K)	
		467	79096043	353-051G	SCREW,DRAWING	+ 2 D3.0 L8.0 MSWR3/FN TB ROUN	
		467	79096043	353-051G	SCREW,DRAWING	+ 2 D3.0 L8.0 MSWR3/FN TB ROUN	
		468	AF000354	353-051J	SCREW,DRAWING	+ 2 D3.0 L6.5 MSWR3/FN TB ROUN	
*** PACKING ACCESSORY ***							
		801	AF000745	3835RV0004M	INSTRUCTION ASSEMBLY	VCR VBC8007SM.NA3FTT TOSHIBA E	
		802	AF000748	3890R-C227A	BOX	VBC8007SM NA3FTT SWW3-A	
		803	AF000373	3920R-E104A	PACKING,CASING	V89/88 0.02 80 EPS 4 937 1984	
		804	79096262	292-053B	BAG	SOFT(MIDI)	NSP
		808	79096451	534-008C	BATTERY,MANGANESE	AAAM(R03) SEOTONG 1-5 V - 1PA	
		806	AF000472	6850R-CAA2H	CABLE,COAXIAL	RF PAL DOUBLE SHIELD DT_HY_HI	
		810	AF000480	6851R-0072B	CABLE ASSEMBLY	PAL RF 1.2M + 21PIN SCART 1.5M	
		821	AF000477	6850R-SUA2F	CABLE,COAXIAL	SCART TO SCART 21 PIN DT_HY_HI	
*** REMOTE CONTROLLER ***							
		900	79096621	6711R2N080C	REMOTE CONTROLLER ASSEMBLY	TOSHIBA VB602CP SE-R0092 TOSHI	
*** PANEL ASSEMBLY , FRONT ***							
		A43	AF000738	3721R-F837H	PANEL ASSEMBLY,FRONT	VCR VBC8007SM NA3FTT FRONT	
		280	AF000363	3720R-F774B	PANEL,VIDEO	VCR VBC8016P1K MOLD FRONT(SPOO	NSP
		283	AF000735	3580R-V099H	DOOR	VCR VBC8007SM MOLD CST	
		284	79096419	442-681A	SPRING	DOOR	
		285	AF000732	3580R-T132H	DOOR	VCR VBC8007SM NA3FTT MOLD TRAY	
		286	AF000422	4970R-0146A	SPRING	PLATE DR4000 SPRING	
*** PWB(PCB) ASSEMBLY , TOTAL TIMER/KEY ***							
		A50	AF000782	6871R-7788C	PWB(PCB) ASSEMBLY,TOTAL	TIMER & KEY VBC8007P1M	
		C601	79097104	0CE1064F638	CAPACITOR,ELECTROLYTIC	10M SRA 16V M FM5 TP(5)	
		C611	790971234	0CN1020K518	CAPACITOR TUBULA(HIGH DIELE)	1000P 50V K B TA26	
		C611	79097123	0CN1020K518	CAPACITOR TUBULA(HIGH DIELE)	1000P 50V K B TA26	
		C612	790971234	0CN1020K518	CAPACITOR TUBULA(HIGH DIELE)	1000P 50V K B TA26	
		C612	79097123	0CN1020K518	CAPACITOR TUBULA(HIGH DIELE)	1000P 50V K B TA26	
		C6G1	79096020	0CE4775C638	CAPACITOR,FIXED ELECTROLYTIC	470UF SR,SV 6.3V 20% FM5 TP 5	
		C6G2	79096020	0CE4775C638	CAPACITOR,FIXED ELECTROLYTIC	470UF SR,SV 6.3V 20% FM5 TP 5	
		IC601	AF000296	0ILNRPY001A	IC,LINEAR	PT6955 PTC 24P SOP ST LED DRIV	
		JK601	AF000456	6612JH003AD	JACK,RCA	RCA-102H(BK) YUQIU BLACK	
		JK602	AF000456	6612JH003AD	JACK,RCA	RCA-102H(BK) YUQIU BLACK	
		JK603	AF000456	6612JH003AD	JACK,RCA	RCA-102H(BK) YUQIU BLACK	
		L602	79096332	0LA1000K018	INDUCTOR AXIAL LEAD	100M K 2.3X3.4 L5 TP	
		L603	79096332	0LA1000K018	INDUCTOR AXIAL LEAD	100M K 2.3X3.4 L5 TP	
		L6G1	AF000308	0LR4700K035	INDUCTOR RADIAL LEAD	470M K 6X6 L5 TP	
		LED601	AF000441	6301R2U012A	LED ASSEMBLY	TOS-3667AGMGRMY-B OASIS UNIVE	
		LED601	AF000442	6301R3U012A	LED ASSEMBLY	F3C5-3GWB EVERLIGHT UNIVERSAL	
		LED602	79096306	0DL112000AK	DIODE,LED	DL-11S2GNS(SUPPER,GREEN,03)KOC	
		LED603	79096306	0DL112000AK	DIODE,LED	DL-11S2GNS(SUPPER,GREEN,03)KOC	
		P6602	AF000775	6630S-BC01H	CONNECTOR (CIRC),BOARD TO BOAR	52061-0811 J-MOLEX 8PIN 1-25MM	
		P6603	AF000776	6630S-BC02H	CONNECTOR (CIRC),BOARD TO BOAR	53045-0811 J-MOLEX 8PIN 1-25MM	
		P6M01	AF000765	561-844L	CONNECTOR(CIRC),DRAWING	TUC-P12X-B1,TAIKO	
		P6M03	AF000763	561-844D	CONNECTOR(CIRC),DRAWING	TUC-P05X-B1,TAIKO B-B 5PIN	
		P6M05	AF000763	561-844D	CONNECTOR(CIRC),DRAWING	TUC-P05X-B1,TAIKO B-B 5PIN	
		Q601	AF000210	0TR120309AE	TRANSISTOR	SRC1203 TP AUK TO92 22K,22K	
		Q602	AF000210	0TR120309AE	TRANSISTOR	SRC1203 TP AUK TO92 22K,22K	
		R604	79096341	0RD5602F608	RESISTOR,FIXED CARBON FILM	56K OHM 1/6 W 5% TA26	
		R605	79093014	0RD3300F608	RESISTOR,FIXED CARBON FILM	330 OHM 1/6 W 5% TA26	
		R611	79098764	0RD6800F608	RESISTOR,FIXED CARBON FILM	680 OHM 1/6 W 5% TA26	
		R612	79098765	0RD8200F608	RESISTOR,FIXED CARBON FILM	820 OHM 1/6 W 5% TA26	
		R613	79093007	0RD1201F608	RESISTOR,FIXED CARBON FILM	1.2K OHM 1/6 W 5% TA26	
		R613	79096185	0RD1201F608	RESISTOR,FIXED CARBON FILM	1.2K OHM 1/6 W 5% TA26	
		R614	79098760	0RD1501F608	RESISTOR,FIXED CARBON FILM	1.5K OHM 1/6 W 5% TA26	
		R615	79098761	0RD2201F608	RESISTOR,FIXED CARBON FILM	2.2K OHM 1/6 W 5% TA26	
		R616	79098764	0RD6800F608	RESISTOR,FIXED CARBON FILM	680 OHM 1/6 W 5% TA26	
		R617	79098765	0RD8200F608	RESISTOR,FIXED CARBON FILM	820 OHM 1/6 W 5% TA26	
		R618	79093007	0RD1201F608	RESISTOR,FIXED CARBON FILM	1.2K OHM 1/6 W 5% TA26	
		R618	79096185	0RD1201F608	RESISTOR,FIXED CARBON FILM	1.2K OHM 1/6 W 5% TA26	

TOSHIBA MODEL : SD-34VESE

NSP : Not available as service parts.
 RUN DATE : 28-JUNE-04

S	AL	LOCA. NO.	TOSHIBA P/NO	LG PART NO.	DESCRIPTION	SPECIFICATION	REMARKS
		R619	79098760	ORD1501F608	RESISTOR, FIXED CARBON FILM	1.5K OHM 1/6 W 5% TA26	
		R620	79098761	ORD2201F608	RESISTOR, FIXED CARBON FILM	2.2K OHM 1/6 W 5% TA26	
		R631	79093010	ORD1800F608	RESISTOR, FIXED CARBON FILM	180 OHM 1/6 W 5% TA26	
		R632	79093010	ORD1800F608	RESISTOR, FIXED CARBON FILM	180 OHM 1/6 W 5% TA26	
		R641	79098759	ORD0752F608	RESISTOR, FIXED CARBON FILM	75 OHM 1/6 W 5.00% TA26	
		RC601	AF000465	6712R1638GB	REMOTE CONTROLLER RECEIVER	TSOP4438RF1 VISHAY 38KHZ =TSOP	
		SW601	79097338	556-219B	SWITCH, TACT	THVV502GAA POSTECH DC 12 V 5-	
		SW601	AF000451	6600R000036	SWITCH, TACT	EVQ 225 05R MATSUSHITA 15VDC 2	
		SW601	AF000452	6600RRT001Q	SWITCH, TACT	SKHVBE3520-AA FORWARD 12V DC 5	
		SW602	79097338	556-219B	SWITCH, TACT	THVV502GAA POSTECH DC 12 V 5-	
		SW602	AF000451	6600R000036	SWITCH, TACT	EVQ 225 05R MATSUSHITA 15VDC 2	
		SW602	AF000452	6600RRT001Q	SWITCH, TACT	SKHVBE3520-AA FORWARD 12V DC 5	
		SW603	79097338	556-219B	SWITCH, TACT	THVV502GAA POSTECH DC 12 V 5-	
		SW603	AF000451	6600R000036	SWITCH, TACT	EVQ 225 05R MATSUSHITA 15VDC 2	
		SW603	AF000452	6600RRT001Q	SWITCH, TACT	SKHVBE3520-AA FORWARD 12V DC 5	
		SW604	79097338	556-219B	SWITCH, TACT	THVV502GAA POSTECH DC 12 V 5-	
		SW604	AF000451	6600R000036	SWITCH, TACT	EVQ 225 05R MATSUSHITA 15VDC 2	
		SW604	AF000452	6600RRT001Q	SWITCH, TACT	SKHVBE3520-AA FORWARD 12V DC 5	
		SW605	79097338	556-219B	SWITCH, TACT	THVV502GAA POSTECH DC 12 V 5-	
		SW605	AF000452	6600RRT001Q	SWITCH, TACT	SKHVBE3520-AA FORWARD 12V DC 5	
		SW605	AF000451	6600R000036	SWITCH, TACT	EVQ 225 05R MATSUSHITA 15VDC 2	
		SW606	79097338	556-219B	SWITCH, TACT	THVV502GAA POSTECH DC 12 V 5-	
		SW606	AF000452	6600RRT001Q	SWITCH, TACT	SKHVBE3520-AA FORWARD 12V DC 5	
		SW606	AF000451	6600R000036	SWITCH, TACT	EVQ 225 05R MATSUSHITA 15VDC 2	
		SW607	79097338	556-219B	SWITCH, TACT	THVV502GAA POSTECH DC 12 V 5-	
		SW607	AF000452	6600RRT001Q	SWITCH, TACT	SKHVBE3520-AA FORWARD 12V DC 5	
		SW607	AF000451	6600R000036	SWITCH, TACT	EVQ 225 05R MATSUSHITA 15VDC 2	
		SW608	79097338	556-219B	SWITCH, TACT	THVV502GAA POSTECH DC 12 V 5-	
		SW608	AF000451	6600R000036	SWITCH, TACT	EVQ 225 05R MATSUSHITA 15VDC 2	
		SW608	AF000452	6600RRT001Q	SWITCH, TACT	SKHVBE3520-AA FORWARD 12V DC 5	
		SW609	79097338	556-219B	SWITCH, TACT	THVV502GAA POSTECH DC 12 V 5-	
		SW609	AF000451	6600R000036	SWITCH, TACT	EVQ 225 05R MATSUSHITA 15VDC 2	
		SW609	AF000452	6600RRT001Q	SWITCH, TACT	SKHVBE3520-AA FORWARD 12V DC 5	
		SW610	79097338	556-219B	SWITCH, TACT	THVV502GAA POSTECH DC 12 V 5-	
		SW610	AF000451	6600R000036	SWITCH, TACT	EVQ 225 05R MATSUSHITA 15VDC 2	
		SW610	AF000452	6600RRT001Q	SWITCH, TACT	SKHVBE3520-AA FORWARD 12V DC 5	
		SW611	79097338	556-219B	SWITCH, TACT	THVV502GAA POSTECH DC 12 V 5-	
		SW611	AF000452	6600RRT001Q	SWITCH, TACT	SKHVBE3520-AA FORWARD 12V DC 5	
		SW611	AF000451	6600R000036	SWITCH, TACT	EVQ 225 05R MATSUSHITA 15VDC 2	
		SW612	79097338	556-219B	SWITCH, TACT	THVV502GAA POSTECH DC 12 V 5-	
		SW612	AF000451	6600R000036	SWITCH, TACT	EVQ 225 05R MATSUSHITA 15VDC 2	
		SW612	AF000452	6600RRT001Q	SWITCH, TACT	SKHVBE3520-AA FORWARD 12V DC 5	
*** PWB(PCB) ASSEMBLY, TOTAL POWER ***							
		A47	AF000686	6871R-5377H	PWB(PCB) ASSEMBLY, TOTAL	SMPS VLC8510WIK SERIES	
		BD101	79096005	ODD160000DA	DIODE, RECTIFIERS	S1WBA60 BK SHINDENGEN - 600V -	
	△	C101	79096244	624-088L	CAPACITOR, DRAWING	435D SUNIL ELECTRONICS 0.1UF/275V	
	△	C102	79096244	624-088L	CAPACITOR, DRAWING	435D SUNIL ELECTRONICS 0.1UF/275V	
		C103	79096500	624-082C	CAPACITOR, AL. ELECTROLYTIC	100MF/400V SHL SMPS S/Y	
		C104	79098728	OCN1040K948	CAPACITOR, FIXED TUBULAR(HIGH D	0.1UF D 50V 80%,-20% F(Y5V) TA	
		C105	79092033	OCQ1031Y519	CAPACITOR, FIXED FILM	0.01UF D 630V 10% PE NI TP5	
		C106	79096651	624-087G	CAPACITOR	HIGH-VOL 68PF/1KV SMPS SAMHWA	
		C109	79092001	OCE1064K638	CAPACITOR, FIXED ELECTROLYTIC	10M SRA 50V M FM5 TP(5)	
	△	C110	79096279	OCG1020U630	CAPACITOR, SEMI CERAMIC	1000PF 400V M E(Z5U) R	
	△	C111	79096279	OCG1020U630	CAPACITOR, SEMI CERAMIC	1000PF 400V M E(Z5U) R	
		C117	79096617	OCE337EK630	CAPACITOR, AL. ELECTROLYTIC	330UF KMG 50V M FM5 BULK	
		C123	79092010	OCE477BH630	CAPACITOR, AL. ELECTROLYTIC	470UF KME TYPE 25V M FM5 BULK	
		C127	79092003	OCE108BF630	CAPACITOR, FIXED ELECTROLYTIC	1000UF KME 16V M FM5 BULK	
		C129	AF000268	OCE2282F611	CAPACITOR, FIXED ELECTROLYTIC	2200UF KMF 16V 20% BK7.5 FL	
		C131	79096460	624-082H	CAPACITOR	CE 1000UF/10V SHL(10*12.5)T/P	
		C132	79092035	624-085D	CAPACITOR	CE 47UF/50V KME (SMPS)	
		C133	79098731	OCQ1042K409	CAPACITOR, FIXED FILM	0.1UF S 50V 5% PE TP5	
		C135	79096303	OCN223AK948	CAPACITOR, TUBULAR(HIGH DIELEC)	0.022UF 50V Z F TA26 S	
		C163	79096243	624-087D	CAPACITOR	HI-VOL 470P/1KVDC SMPS SAMHWA	
		D101	79096006	ODD221009AA	DIODE, RECTIFIERS	ERA22-10 KFLB, TP ,R /P,FUJI	
		D102	79096001	ODD010009AC	DIODE, RECTIFIERS	EU01W(R-FORM) TP SANKEN	
		D106	79096023	ODR104009BA	DIODE, RECTIFIERS	RL104F TP RECTRON - 400V 1A 30	
		D110	79096308	ODR302000AB	DIODE, RECTIFIERS	HER302 BK RECTRON DO201AD 100V	
		D110	79097505	ODD400000AD	DIODE, RECTIFIERS	RU4YX BK SANKEN - - - - -	
		D111	79096009	ODR158220AA	DIODE, RECTIFIERS	1N5822 BK RECTRON DO201AD 40V	
		D113	79096023	ODR104009BA	DIODE, RECTIFIERS	RL104F TP RECTRON - 400V 1A 30	
		D118	79096590	ODR104510AA	DIODE, RECTIFIERS	B10A45V1 BK KEC TO220 45V 10A	
	△	F101	79096588	OFS1601B51D	FUSE, SLOW BLOW	1600MA 250 V 5.2X20 CY/GL KS/J	
		FH01	79098790	586-008B	HOLDER	FUSE CLIP TP SINSUNG	
		FH02	79098790	586-008B	HOLDER	FUSE CLIP TP SINSUNG	
		IC101	AF000302	OIPMGFA053A	IC, POWER MANAGEMENT	FSDL0365RN FAIRCHILD 8PIN, DIP	

TOSHIBA MODEL : SD-34VESE

NSP : Not available as service parts.
 RUN DATE : 28-JUNE-04

S	AL	LOCA. NO.	TOSHIBA P/NO	LG PART NO.	DESCRIPTION	SPECIFICATION	REMARKS
△		IC102	79094030	657-063A	SENSOR	LTV-817B,PHOTO COUPLER(LITEON)	
		IC103	79094010	0IKE431000A	IC,KEC	KIA431 3 PIN TP	
		L102	79096456	616-145G	FILTER(CIRC),DRAWING	SHT LFSQ2215V4-04220	
△		L102	AF000434	616-145E	FILTER(CIRC),DRAWING	KSE-145E KSE LINE FILTER SQ211	
		L125	79098794	633-088D	COIL,CHOKE	20UH KWANGSUNG LEAD CUT	
		PPM01	AF000772	6630R-BF03H	CONNECTOR (CIRC),BOARD TO BOAR	JE121-08 JAE EUN 8P 2.54MM COM	
		PW101	79096066	561-292B	CONNECTOR(CIRC),DRAWING	GP390 LGC 3P 3.96 STRAIGHT SN	
		R100	79093009	0RD1504H632	RESISTOR,FIXED CARBON FILM	1.5M OHM 1/2 W 5.00% MF10	
		R101	79093056	614-007A	RESISTOR	2.7/2W CEMENT SMPS V	
		R104	79093055	0RS5602K619	RESISTOR,FIXED METAL OXIDE FIL	56K OHM 2 W 5.00% TR	
		R105	79097164	0RD0102F608	RESISTOR,FIXED CARBON FILM	10 OHM 1/6 W 5% TA26	
		R112	79093011	0RD2200F608	RESISTOR,FIXED CARBON FILM	220 OHM 1/6 W 5% TA26	
		R113	79098761	0RD2201F608	RESISTOR,FIXED CARBON FILM	2.2K OHM 1/6 W 5% TA26	
		R114	79093004	0RD1001F608	RESISTOR,FIXED CARBON FILM	1K OHM 1/6 W 5% TA26	
		R115	79096375	0RN3301F408	RESISTOR,FIXED METAL FILM	3.3K OHM 1/6 W 1% TA26	
		R116	79096374	0RN2701F408	RESISTOR,FIXED METAL FILM	2.7K OHM 1/6 W 1% TA26	
		R117	79096339	0RD2700F608	RESISTOR,FIXED CARBON FILM	270 OHM 1/6 W 5% TA26	
		R119	79093006	0RD1003F608	RESISTOR,FIXED CARBON FILM	100K OHM 1/6 W 5% TA26	
		R130	79093006	0RD1003F608	RESISTOR,FIXED CARBON FILM	100K OHM 1/6 W 5% TA26	
△		T101	AF000435	6170RNGW12G	TRANSFORMER,SMPS[COIL]	EER2828 SAMWHA 2004 COMBI CLO	
△		V101	79098795	656-004C	VARISTOR,DRAWING	SVC681D-10A SAMWHA 4.0 CUT	
		ZD102	AF000672	0DZ222609AB	DIODE,ZENER	UZ-22BSB 26MM TP PYUNG CHANG	
*** CHASSIS ASSEMBLY ***							
		A44	AF000793	3141R-V022A	CHASSIS ASSEMBLY	VBC8007SM NA3FTT SCART MTK1389	
		260	AF000349	3210R-V011B	FRAME	COMBI 3 MOLD HIPS 60HR BK	
		261A	AF000430	5040H-1016U	RUBBER	VCR SLIM-COMBI OTHER DS08*D22	
		265	AF000413	4930R-0384A	HOLDER	POWER CORD	
		330	AF000342	3140R-V010A	CHASSIS	ONE BOARD PRESS SECC 0.8T	
		452	79097905	353-051A	SCREW,DRAWING	SPECIAL	
*** SUB ASSEMBLY , MAIN(VCR+DVD) ***							
		A46	AF000785	6885R-261CE	SUB PWB(PCB) ASSEMBLY	465202D71105F4 000000 80020000	
		323	AF000341	3111R-0089E	CASE ASSEMBLY	PRE AMP SLIM COMBI C-CORE A NO	
		BC91	79091008	636-004C	FILTER(CIRC),EMC	BEAD CORE BFS3550R2FD8,R T/P	
		BC92	79091008	636-004C	FILTER(CIRC),EMC	BEAD CORE BFS3550R2FD8,R T/P	
		C126	79096270	0CE2276H638	CAPACITOR,FIXED ELECTROLYTIC	220UF SMS,SG 25V 20% FM5 TP 5	
		C128	79092007	0CE3376D638	CAPACITOR,ELECTROLYTIC	330UF SMS 10V M FM5 TP5	
		C151	79096275	0CE4754K638	CAPACITOR,FIXED ELECTROLYTIC	4.7UF SRA,SS 50V 20% FM5 TP 5	
		C152	79096275	0CE4754K638	CAPACITOR,FIXED ELECTROLYTIC	4.7UF SRA,SS 50V 20% FM5 TP 5	
		C153	79097104	0CE1064F638	CAPACITOR,ELECTROLYTIC	10M SRA 16V M FM5 TP(5)	
		C154	79098705	0CE1074F638	CAPACITOR,ELECTROLYTIC	100U SRA 16V M FM5 TP(5)	
		C155	79097104	0CE1064F638	CAPACITOR,ELECTROLYTIC	10M SRA 16V M FM5 TP(5)	
		C162	79097104	0CE1064F638	CAPACITOR,ELECTROLYTIC	10M SRA 16V M FM5 TP(5)	
		C169	79097104	0CE1064F638	CAPACITOR,ELECTROLYTIC	10M SRA 16V M FM5 TP(5)	
		C201	79098705	0CE1074F638	CAPACITOR,ELECTROLYTIC	100U SRA 16V M FM5 TP(5)	
		C202	79092014	0CH1104K942	CAPACITOR,CHIP[CERAMIC M/L HD	0.1UF 50V Z Y5V(F) 1508 R/TP	
		C203	79092014	0CH1104K942	CAPACITOR,CHIP[CERAMIC M/L HD	0.1UF 50V Z Y5V(F) 1508 R/TP	
		C204	79092014	0CH1104K942	CAPACITOR,CHIP[CERAMIC M/L HD	0.1UF 50V Z Y5V(F) 1508 R/TP	
		C205	79097108	0CE4764F638	CAPACITOR,ELECTROLYTIC	47M SRA/SS 16V M FM5 TP(5)	
		C206	79097108	0CE4764F638	CAPACITOR,ELECTROLYTIC	47M SRA/SS 16V M FM5 TP(5)	
		C208	79092016	0CH1222K562	CAPACITOR,CHIP[CERAMIC M/L HD	2200PF 50V K X7R(X) 1608 R/TP	
		C210	79092014	0CH1104K942	CAPACITOR,CHIP[CERAMIC M/L HD	0.1UF 50V Z Y5V(F) 1508 R/TP	
		C211	AF000696	0CH1821K562	CAPACITOR,FIXED CERAMIC(Temp.c	820PF 50V 10% X7R(X) 1608 R/TP	
		C212	79092014	0CH1104K942	CAPACITOR,CHIP[CERAMIC M/L HD	0.1UF 50V Z Y5V(F) 1508 R/TP	
		C213	79097108	0CE4764F638	CAPACITOR,ELECTROLYTIC	47M SRA/SS 16V M FM5 TP(5)	
		C215	79092016	0CH1222K562	CAPACITOR,CHIP[CERAMIC M/L HD	2200PF 50V K X7R(X) 1608 R/TP	
		C216	79098714	0CH1102K562	CAPACITOR,FIXED CERAMIC(Temp.c	1000PF 50V 10% X7R(X) 1608 R/T	
		C221	79092014	0CH1104K942	CAPACITOR,CHIP[CERAMIC M/L HD	0.1UF 50V Z Y5V(F) 1508 R/TP	
		C222	79092014	0CH1104K942	CAPACITOR,CHIP[CERAMIC M/L HD	0.1UF 50V Z Y5V(F) 1508 R/TP	
		C223	79098709	0CE2274C638	CAPACITOR,ELECTROLYTIC	220M SRA 6.3V M FM5 TP(5)	
		C225	79098709	0CE2274C638	CAPACITOR,ELECTROLYTIC	220M SRA 6.3V M FM5 TP(5)	
		C226	79092014	0CH1104K942	CAPACITOR,CHIP[CERAMIC M/L HD	0.1UF 50V Z Y5V(F) 1508 R/TP	
		C227	79098709	0CE2274C638	CAPACITOR,ELECTROLYTIC	220M SRA 6.3V M FM5 TP(5)	
		C228	79092014	0CH1104K942	CAPACITOR,CHIP[CERAMIC M/L HD	0.1UF 50V Z Y5V(F) 1508 R/TP	
		C229	79098709	0CE2274C638	CAPACITOR,ELECTROLYTIC	220M SRA 6.3V M FM5 TP(5)	
		C301	79097104	0CE1064F638	CAPACITOR,ELECTROLYTIC	10M SRA 16V M FM5 TP(5)	
		C302	79097106	0CE2264F638	CAPACITOR,FIXED ELECTROLYTIC	22UF SRA,SS 16V 20% FM5 TP 5	
		C303	AF000273	0CH1122K562	CAPACITOR,FIXED CERAMIC(Temp.c	1200PF 50V 10% X7R(X) 1608 R/T	
		C304	79097108	0CE4764F638	CAPACITOR,ELECTROLYTIC	47M SRA/SS 16V M FM5 TP(5)	
		C305	AF000269	0CH1103K512	CAPA,CHIP CERAMIC M/L H.D F/S	0.0100UF 50V K B 1608 R/TP	
		C306	79096022	0CH1102K512	CAPACITOR,FIXED CERAMIC(TEMP.C	1000PF 50V 10% B(5Y)P 1608 R/T	
		C307	79098702	0CE1054K638	CAPACITOR,ELECTROLYTIC	1.0M SRA/SS50V M FM5 TP(5)	
		C308	AF000290	0CQ1532K409	CAPACITOR,FIXED FILM	0.015UF S 50V 5% PE TP5	
		C309	79092025	0CH4221K412	CAPACITOR,CHIP[CERAMIC M/L TC	220P 50V J COG 1.6X0.8 R/TP	
		C310	79092025	0CH4221K412	CAPACITOR,CHIP[CERAMIC M/L TC	220P 50V J COG 1.6X0.8 R/TP	
		C311	79097108	0CE4764F638	CAPACITOR,ELECTROLYTIC	47M SRA/SS 16V M FM5 TP(5)	

TOSHIBA MODEL : SD-34VESE

NSP : Not available as service parts.
 RUN DATE : 28-JUNE-04

S	AL	LOCA. NO.	TOSHIBA P/NO	LG PART NO.	DESCRIPTION	SPECIFICATION	REMARKS
		C312	AF000269	0CH1103K512	CAPA,CHIP CERAMIC M/L H.D F/S	0.0100UF 50V K B 1608 R/TP	
		C314	79097104	0CE1064F638	CAPACITOR,ELECTROLYTIC	10M SRA 16V M FM5 TP(5)	
		C315	79096269	0CE2254K638	CAPACITOR,FIXED ELECTROLYTIC	2.2UF SRA,SS 50V 20% FM5 TP 5	
		C316	79097104	0CE1064F638	CAPACITOR,ELECTROLYTIC	10M SRA 16V M FM5 TP(5)	
		C317	AF000269	0CH1103K512	CAPA,CHIP CERAMIC M/L H.D F/S	0.0100UF 50V K B 1608 R/TP	
		C318	79098702	0CE1054K638	CAPACITOR,ELECTROLYTIC	1.0M SRA/SS50V M FM5 TP(5)	
		C319	AF000269	0CH1103K512	CAPA,CHIP CERAMIC M/L H.D F/S	0.0100UF 50V K B 1608 R/TP	
		C320	79098702	0CE1054K638	CAPACITOR,ELECTROLYTIC	1.0M SRA/SS50V M FM5 TP(5)	
		C321	AF000286	0CH4680K412	CAPACITOR,FIXED CERAMIC(HIGH D	68PF 50V 5% NPO 1608 R/TP	
		C322	79098703	0CE1063F638	CAPACITOR,AL.ELECTROLYTIC	10M SRE/SE 16V M FM5 TP(5)	
		C323	79097104	0CE1064F638	CAPACITOR,ELECTROLYTIC	10M SRA 16V M FM5 TP(5)	
		C324	79096275	0CE4754K638	CAPACITOR,FIXED ELECTROLYTIC	4.7UF SRA,SS 50V 20% FM5 TP 5	
		C325	79097104	0CE1064F638	CAPACITOR,ELECTROLYTIC	10M SRA 16V M FM5 TP(5)	
		C326	AF000269	0CH1103K512	CAPA,CHIP CERAMIC M/L H.D F/S	0.0100UF 50V K B 1608 R/TP	
		C327	AF000266	0CE1053K638	CAPACITOR,AL.ELECTROLYTIC	1.0M SRE/SE50V M FM5 TP(5)	
		C328	AF000269	0CH1103K512	CAPA,CHIP CERAMIC M/L H.D F/S	0.0100UF 50V K B 1608 R/TP	
		C329	AF000269	0CH1103K512	CAPA,CHIP CERAMIC M/L H.D F/S	0.0100UF 50V K B 1608 R/TP	
		C330	AF000270	0CH1104K512	CAPACITOR,FIXED CERAMIC(Temp.c	0.1UF 50V 10% B(5YP) 1608 R/TP	
		C331	79097106	0CE2264F638	CAPACITOR,FIXED ELECTROLYTIC	22UF SRA,SS 16V 20% FM5 TP 5	
		C333	79097108	0CE4764F638	CAPACITOR,ELECTROLYTIC	47M SRA/SS 16V M FM5 TP(5)	
		C334	AF000269	0CH1103K512	CAPA,CHIP CERAMIC M/L H.D F/S	0.0100UF 50V K B 1608 R/TP	
		C335	AF000269	0CH1103K512	CAPA,CHIP CERAMIC M/L H.D F/S	0.0100UF 50V K B 1608 R/TP	
		C336	79096615	0CE4763F638	CAPACITOR,ELECTROLYTIC	47M SRE 16V M FM5 TP(5)	
		C337	79098702	0CE1054K638	CAPACITOR,ELECTROLYTIC	1.0M SRA/SS50V M FM5 TP(5)	
		C338	AF000276	0CH1473K562	CAPACITOR,CHIP[CERAMIC M/L HD	47000PF 50V K X7R(X) 1608 R/TP	
		C339	79098702	0CE1054K638	CAPACITOR,ELECTROLYTIC	1.0M SRA/SS50V M FM5 TP(5)	
		C340	AF000276	0CH1473K562	CAPACITOR,CHIP[CERAMIC M/L HD	47000PF 50V K X7R(X) 1608 R/TP	
		C341	79092017	0CH1223K942	CAPACITOR,CHIP[CERAMIC M/L HD	0.022UF 50V Z Y5V(F) 1508 R/TP	
		C342	AF000270	0CH1104K512	CAPACITOR,FIXED CERAMIC(Temp.c	0.1UF 50V 10% B(5YP) 1608 R/TP	
		C343	AF000276	0CH1473K562	CAPACITOR,CHIP[CERAMIC M/L HD	47000PF 50V K X7R(X) 1608 R/TP	
		C345	AF000276	0CH1473K562	CAPACITOR,CHIP[CERAMIC M/L HD	47000PF 50V K X7R(X) 1608 R/TP	
		C346	79097108	0CE4764F638	CAPACITOR,ELECTROLYTIC	47M SRA/SS 16V M FM5 TP(5)	
		C347	AF000266	0CE1053K638	CAPACITOR,AL.ELECTROLYTIC	1.0M SRE/SE50V M FM5 TP(5)	
		C348	79098702	0CE1054K638	CAPACITOR,ELECTROLYTIC	1.0M SRA/SS50V M FM5 TP(5)	
		C349	79097108	0CE4764F638	CAPACITOR,ELECTROLYTIC	47M SRA/SS 16V M FM5 TP(5)	
		C350	AF000270	0CH1104K512	CAPACITOR,FIXED CERAMIC(Temp.c	0.1UF 50V 10% B(5YP) 1608 R/TP	
		C351	79092025	0CH4221K412	CAPACITOR,CHIP[CERAMIC M/L TC	220P 50V J COG 1.6X0.8 R/TP	
		C353	79098702	0CE1054K638	CAPACITOR,ELECTROLYTIC	1.0M SRA/SS50V M FM5 TP(5)	
		C355	AF000270	0CH1104K512	CAPACITOR,FIXED CERAMIC(Temp.c	0.1UF 50V 10% B(5YP) 1608 R/TP	
		C356	79098702	0CE1054K638	CAPACITOR,ELECTROLYTIC	1.0M SRA/SS50V M FM5 TP(5)	
		C357	79098702	0CE1054K638	CAPACITOR,ELECTROLYTIC	1.0M SRA/SS50V M FM5 TP(5)	
		C358	AF000286	0CH4680K412	CAPACITOR,FIXED CERAMIC(HIGH D	68PF 50V 5% NPO 1608 R/TP	
		C359	79098702	0CE1054K638	CAPACITOR,ELECTROLYTIC	1.0M SRA/SS50V M FM5 TP(5)	
		C360	79096022	0CH1102K512	CAPACITOR,FIXED CERAMIC(TEMP.C	1000PF 50V 10% B(5YP) 1608 R/T	
		C361	79092017	0CH1223K942	CAPACITOR,CHIP[CERAMIC M/L HD	0.022UF 50V Z Y5V(F) 1508 R/TP	
		C362	79097108	0CE4764F638	CAPACITOR,ELECTROLYTIC	47M SRA/SS 16V M FM5 TP(5)	
		C363	AF000269	0CH1103K512	CAPA,CHIP CERAMIC M/L H.D F/S	0.0100UF 50V K B 1608 R/TP	
		C366	AF000269	0CH1103K512	CAPA,CHIP CERAMIC M/L H.D F/S	0.0100UF 50V K B 1608 R/TP	
		C367	AF000270	0CH1104K512	CAPACITOR,FIXED CERAMIC(Temp.c	0.1UF 50V 10% B(5YP) 1608 R/TP	
		C368	AF000278	0CH1822K562	CAPACITOR,FIXED CERAMIC(Temp.c	8200PF 50V 10% X7R(X) 1608 R/T	
		C370	AF000288	0CH4820K412	CHIP CAPA CERAMIC M/L T.C F/S	82P 50V J COG 1.6X0.8 R/TP	
		C371	AF000288	0CH4820K412	CHIP CAPA CERAMIC M/L T.C F/S	82P 50V J COG 1.6X0.8 R/TP	
		C372	AF000288	0CH4820K412	CHIP CAPA CERAMIC M/L T.C F/S	82P 50V J COG 1.6X0.8 R/TP	
		C374	AF000270	0CH1104K512	CAPACITOR,FIXED CERAMIC(Temp.c	0.1UF 50V 10% B(5YP) 1608 R/TP	
		C375	AF000270	0CH1104K512	CAPACITOR,FIXED CERAMIC(Temp.c	0.1UF 50V 10% B(5YP) 1608 R/TP	
		C376	AF000270	0CH1104K512	CAPACITOR,FIXED CERAMIC(Temp.c	0.1UF 50V 10% B(5YP) 1608 R/TP	
		C3S1	79092013	0CH1103K562	CAPACITOR,FIXED CERAMIC(TEMP.C	0.01UF 50V 10% X7R(X) 1608 R/T	
		C3S2	79092013	0CH1103K562	CAPACITOR,FIXED CERAMIC(TEMP.C	0.01UF 50V 10% X7R(X) 1608 R/T	
		C3S3	79098702	0CE1054K638	CAPACITOR,ELECTROLYTIC	1.0M SRA/SS50V M FM5 TP(5)	
		C3S4	79098702	0CE1054K638	CAPACITOR,ELECTROLYTIC	1.0M SRA/SS50V M FM5 TP(5)	
		C3S5	79092014	0CH1104K942	CAPACITOR,CHIP[CERAMIC M/L HD	0.1UF 50V Z Y5V(F) 1508 R/TP	
		C3S6	79092013	0CH1103K562	CAPACITOR,FIXED CERAMIC(TEMP.C	0.01UF 50V 10% X7R(X) 1608 R/T	
		C3S7	79096616	0CE4744K638	CAPACITOR,ELECTROLYTIC	0.47M SRA 50V M FM5 TP(5)	
		C3S8	79092013	0CH1103K562	CAPACITOR,FIXED CERAMIC(TEMP.C	0.01UF 50V 10% X7R(X) 1608 R/T	
		C3S9	79092013	0CH1103K562	CAPACITOR,FIXED CERAMIC(TEMP.C	0.01UF 50V 10% X7R(X) 1608 R/T	
		C3T1	79096616	0CE4744K638	CAPACITOR,ELECTROLYTIC	0.47M SRA 50V M FM5 TP(5)	
		C3T2	AF000005	0CQ2222K409	CAPACITOR,FIXED FILM	2200PF S 50V 5% PE TP5	
		C3T3	AF000005	0CQ2222K409	CAPACITOR,FIXED FILM	2200PF S 50V 5% PE TP5	
		C3T4	79096269	0CE2254K638	CAPACITOR,FIXED ELECTROLYTIC	2.2UF SRA,SS 50V 20% FM5 TP 5	
		C3T5	79092013	0CH1103K562	CAPACITOR,FIXED CERAMIC(TEMP.C	0.01UF 50V 10% X7R(X) 1608 R/T	
		C3T6	79097108	0CE4764F638	CAPACITOR,ELECTROLYTIC	47M SRA/SS 16V M FM5 TP(5)	
		C3T7	79092013	0CH1103K562	CAPACITOR,FIXED CERAMIC(TEMP.C	0.01UF 50V 10% X7R(X) 1608 R/T	
		C401	79092014	0CH1104K942	CAPACITOR,CHIP[CERAMIC M/L HD	0.1UF 50V Z Y5V(F) 1508 R/TP	
		C402	79092014	0CH1104K942	CAPACITOR,CHIP[CERAMIC M/L HD	0.1UF 50V Z Y5V(F) 1508 R/TP	
		C403	79097104	0CE1064F638	CAPACITOR,ELECTROLYTIC	10M SRA 16V M FM5 TP(5)	

TOSHIBA MODEL : SD-34VESE

NSP : Not available as service parts.
 RUN DATE : 28-JUNE-04

S	AL	LOCA. NO.	TOSHIBA P/NO	LG PART NO.	DESCRIPTION	SPECIFICATION	REMARKS
		C404	79098715	0CH1105D942	CAPACITOR,CHIP[CERAMIC M/L HD	1UF 10V Z Y5V(F) 1508 R/TP	
		C405	79098705	0CE1074F638	CAPACITOR,ELECTROLYTIC	100U SRA 16V M FM5 TP(5)	
		C406	79098705	0CE1074F638	CAPACITOR,ELECTROLYTIC	100U SRA 16V M FM5 TP(5)	
		C407	79092014	0CH1104K942	CAPACITOR,CHIP[CERAMIC M/L HD	0.1UF 50V Z Y5V(F) 1508 R/TP	
		C408	79097106	0CE2264F638	CAPACITOR,FIXED ELECTROLYTIC	22UF SRA,SS 16V 20% FM5 TP 5	
		C409	79097106	0CE2264F638	CAPACITOR,FIXED ELECTROLYTIC	22UF SRA,SS 16V 20% FM5 TP 5	
		C410	79097106	0CE2264F638	CAPACITOR,FIXED ELECTROLYTIC	22UF SRA,SS 16V 20% FM5 TP 5	
		C411	79097106	0CE2264F638	CAPACITOR,FIXED ELECTROLYTIC	22UF SRA,SS 16V 20% FM5 TP 5	
		C412	AF000692	0CE2274F638	CAPACITOR,FIXED ELECTROLYTIC	220UF SRA,SS 16V 20% FM5 TP 5	
		C413	79098714	0CH1102K562	CAPACITOR,FIXED CERAMIC(Temp.c	1000PF 50V 10% X7R(X) 1608 R/T	
		C414	79098714	0CH1102K562	CAPACITOR,FIXED CERAMIC(Temp.c	1000PF 50V 10% X7R(X) 1608 R/T	
		C415	79098722	0CH4271K412	CAPACITOR,FIXED CERAMIC(HIGH D	270PF 50V 5% NP0 1608 R/TP	
		C416	79098722	0CH4271K412	CAPACITOR,FIXED CERAMIC(HIGH D	270PF 50V 5% NP0 1608 R/TP	
		C417	79098722	0CH4271K412	CAPACITOR,FIXED CERAMIC(HIGH D	270PF 50V 5% NP0 1608 R/TP	
		C418	79098722	0CH4271K412	CAPACITOR,FIXED CERAMIC(HIGH D	270PF 50V 5% NP0 1608 R/TP	
		C419	79092014	0CH1104K942	CAPACITOR,CHIP[CERAMIC M/L HD	0.1UF 50V Z Y5V(F) 1508 R/TP	
		C420	79098705	0CE1074F638	CAPACITOR,ELECTROLYTIC	100U SRA 16V M FM5 TP(5)	
		C421	79098714	0CH1102K562	CAPACITOR,FIXED CERAMIC(Temp.c	1000PF 50V 10% X7R(X) 1608 R/T	
		C422	79098714	0CH1102K562	CAPACITOR,FIXED CERAMIC(Temp.c	1000PF 50V 10% X7R(X) 1608 R/T	
		C423	79097106	0CE2264F638	CAPACITOR,FIXED ELECTROLYTIC	22UF SRA,SS 16V 20% FM5 TP 5	
		C424	79097106	0CE2264F638	CAPACITOR,FIXED ELECTROLYTIC	22UF SRA,SS 16V 20% FM5 TP 5	
		C425	79092014	0CH1104K942	CAPACITOR,CHIP[CERAMIC M/L HD	0.1UF 50V Z Y5V(F) 1508 R/TP	
		C426	79098709	0CE2274C638	CAPACITOR,ELECTROLYTIC	220M SRA 6.3V M FM5 TP(5)	
		C427	79092014	0CH1104K942	CAPACITOR,CHIP[CERAMIC M/L HD	0.1UF 50V Z Y5V(F) 1508 R/TP	
		C428	79098705	0CE1074F638	CAPACITOR,ELECTROLYTIC	100U SRA 16V M FM5 TP(5)	
		C500	79096020	0CE4775C638	CAPACITOR,FIXED ELECTROLYTIC	470UF SR,SV 6.3V 20% FM5 TP 5	
		C501	79092014	0CH1104K942	CAPACITOR,CHIP[CERAMIC M/L HD	0.1UF 50V Z Y5V(F) 1508 R/TP	
		C502	79097108	0CE4764F638	CAPACITOR,ELECTROLYTIC	47M SRA/SS 16V M FM5 TP(5)	
		C503	79098709	0CE2274C638	CAPACITOR,ELECTROLYTIC	220M SRA 6.3V M FM5 TP(5)	
		C504	79098709	0CE2274C638	CAPACITOR,ELECTROLYTIC	220M SRA 6.3V M FM5 TP(5)	
		C505	79097108	0CE4764F638	CAPACITOR,ELECTROLYTIC	47M SRA/SS 16V M FM5 TP(5)	
		C506	79092017	0CH1223K942	CAPACITOR,CHIP[CERAMIC M/L HD	0.022UF 50V Z Y5V(F) 1508 R/TP	
		C508	79092014	0CH1104K942	CAPACITOR,CHIP[CERAMIC M/L HD	0.1UF 50V Z Y5V(F) 1508 R/TP	
		C509	79092024	0CH4220K412	CAPA,CHIP CERAMIC M/L T.C F/S	22P 50V J COG 1.6X0.8 R/TP	
		C511	79092014	0CH1104K942	CAPACITOR,CHIP[CERAMIC M/L HD	0.1UF 50V Z Y5V(F) 1508 R/TP	
		C512	79096022	0CH1102K512	CAPACITOR,FIXED CERAMIC(TEMP.C	1000PF 50V 10% B(5YP) 1608 R/T	
		C513	79096022	0CH1102K512	CAPACITOR,FIXED CERAMIC(TEMP.C	1000PF 50V 10% B(5YP) 1608 R/T	
		C514	AF000280	0CH4120K412	CHIP CAPA CERAMIC M/L T.C F/S	12P 50V J COG 1.6X0.8 R/TP	
		C515	AF000281	0CH4150K412	CAPA,CHIP CERAMIC M/L T.C F/S	15P 50V J COG 1.6X0.8 R/TP	
		C516	79092017	0CH1223K942	CAPACITOR,CHIP[CERAMIC M/L HD	0.022UF 50V Z Y5V(F) 1508 R/TP	
		C518	79092013	0CH1103K562	CAPACITOR,FIXED CERAMIC(TEMP.C	0.01UF 50V 10% X7R(X) 1608 R/T	
		C519	79092014	0CH1104K942	CAPACITOR,CHIP[CERAMIC M/L HD	0.1UF 50V Z Y5V(F) 1508 R/TP	
		C520	79096022	0CH1102K512	CAPACITOR,FIXED CERAMIC(TEMP.C	1000PF 50V 10% B(5YP) 1608 R/T	
		C521	79096022	0CH1102K512	CAPACITOR,FIXED CERAMIC(TEMP.C	1000PF 50V 10% B(5YP) 1608 R/T	
		C523	79096269	0CE2254K638	CAPACITOR,FIXED ELECTROLYTIC	2.2UF SRA,SS 50V 20% FM5 TP 5	
		C524	79097108	0CE4764F638	CAPACITOR,ELECTROLYTIC	47M SRA/SS 16V M FM5 TP(5)	
		C525	AF000271	0CH1105F942	CAPACITOR,FIXED CERAMIC(Temp.c	1000000PF 16V 80%,-20% Y5V(F)	
		C526	79097109	0CE4764J638	CAPACITOR,AL.ELECTROLYTIC	47UF SRA,SS 35V M FM5 TP 5	
		C527	79092025	0CH4221K412	CAPACITOR,CHIP[CERAMIC M/L TC	220P 50V J COG 1.6X0.8 R/TP	
		C533	79096022	0CH1102K512	CAPACITOR,FIXED CERAMIC(TEMP.C	1000PF 50V 10% B(5YP) 1608 R/T	
		C534	79096275	0CE4754K638	CAPACITOR,FIXED ELECTROLYTIC	4.7UF SRA,SS 50V 20% FM5 TP 5	
		C535	79096275	0CE4754K638	CAPACITOR,FIXED ELECTROLYTIC	4.7UF SRA,SS 50V 20% FM5 TP 5	
		C543	AF000274	0CH1222K512	CAPACITOR,CHIP[CERAMIC M/L HD	2200PF 50V K B 1608 R/TP	
		C544	79092021	0CH1473H942	CAPA,CHIP CERAMIC M/L H.D F/S	0.0470UF 25V Z Y5V(F) 1608 R/T	
		C545	79092019	0CH1333K562	CAPACITOR,CHIP[CERAMIC M/L HD	0.033UF 50V K X7R(X) 1508 R/TP	
		C546	79097109	0CE4764J638	CAPACITOR,AL.ELECTROLYTIC	47UF SRA,SS 35V M FM5 TP 5	
		C547	79092013	0CH1103K562	CAPACITOR,FIXED CERAMIC(TEMP.C	0.01UF 50V 10% X7R(X) 1608 R/T	
		C551	79092019	0CH1333K562	CAPACITOR,CHIP[CERAMIC M/L HD	0.033UF 50V K X7R(X) 1508 R/TP	
		C552	79092013	0CH1103K562	CAPACITOR,FIXED CERAMIC(TEMP.C	0.01UF 50V 10% X7R(X) 1608 R/T	
		C561	79098709	0CE2274C638	CAPACITOR,ELECTROLYTIC	220M SRA 6.3V M FM5 TP(5)	
		C564	79096022	0CH1102K512	CAPACITOR,FIXED CERAMIC(TEMP.C	1000PF 50V 10% B(5YP) 1608 R/T	
		C567	79096022	0CH1102K512	CAPACITOR,FIXED CERAMIC(TEMP.C	1000PF 50V 10% B(5YP) 1608 R/T	
		C570	AF000281	0CH4150K412	CAPA,CHIP CERAMIC M/L T.C F/S	15P 50V J COG 1.6X0.8 R/TP	
		C571	AF000281	0CH4150K412	CAPA,CHIP CERAMIC M/L T.C F/S	15P 50V J COG 1.6X0.8 R/TP	
		C575	79096022	0CH1102K512	CAPACITOR,FIXED CERAMIC(TEMP.C	1000PF 50V 10% B(5YP) 1608 R/T	
		C576	79098721	0CH4270K412	CAPACITOR,CHIP[CERAMIC M/L TC	27PF 50V J NP0 1608 R/TP	
		C577	79092017	0CH1223K942	CAPACITOR,CHIP[CERAMIC M/L HD	0.022UF 50V Z Y5V(F) 1508 R/TP	
		C581	79092013	0CH1103K562	CAPACITOR,FIXED CERAMIC(TEMP.C	0.01UF 50V 10% X7R(X) 1608 R/T	
		C582	79092013	0CH1103K562	CAPACITOR,FIXED CERAMIC(TEMP.C	0.01UF 50V 10% X7R(X) 1608 R/T	
		C583	AF000271	0CH1105F942	CAPACITOR,FIXED CERAMIC(Temp.c	1000000PF 16V 80%,-20% Y5V(F)	
		C589	79092017	0CH1223K942	CAPACITOR,CHIP[CERAMIC M/L HD	0.022UF 50V Z Y5V(F) 1508 R/TP	
		C596	79092014	0CH1104K942	CAPACITOR,CHIP[CERAMIC M/L HD	0.1UF 50V Z Y5V(F) 1508 R/TP	
		C5A3	79092014	0CH1104K942	CAPACITOR,CHIP[CERAMIC M/L HD	0.1UF 50V Z Y5V(F) 1508 R/TP	
		C5A4	79092013	0CH1103K562	CAPACITOR,FIXED CERAMIC(TEMP.C	0.01UF 50V 10% X7R(X) 1608 R/T	
		C5A5	79098702	0CE1054K638	CAPACITOR,ELECTROLYTIC	1.0M SRA/SS50V M FM5 TP(5)	

TOSHIBA MODEL : SD-34VESE

NSP : Not available as service parts.
 RUN DATE : 28-JUNE-04

S	AL	LOCA. NO.	TOSHIBA P/NO	LG PART NO.	DESCRIPTION	SPECIFICATION	REMARKS
		C5K1	79092014	0CH1104K942	CAPACITOR,CHIP[CERAMIC M/L HD	0.1UF 50V Z Y5V(F) 1508 R/TP	
		C5L1	AF000271	0CH1105F942	CAPACITOR,FIXED CERAMIC(Temp.c	1000000PF 16V 80%,-20% Y5V(F)	
		C5L6	79096022	0CH1102K512	CAPACITOR,FIXED CERAMIC(TEMP.C	1000PF 50V 10% B(5YP) 1608 R/T	
		C5P1	79092013	0CH1103K562	CAPACITOR,FIXED CERAMIC(TEMP.C	0.01UF 50V 10% X7R(X) 1608 R/T	
		C5P2	79092013	0CH1103K562	CAPACITOR,FIXED CERAMIC(TEMP.C	0.01UF 50V 10% X7R(X) 1608 R/T	
		C5S1	79096597	0CH4430K416	CAPACITOR,FIXED CERAMIC(High d	43PF 50V J NP0 2012 R/TP	
		C5S3	79092017	0CH1223K942	CAPACITOR,CHIP[CERAMIC M/L HD	0.022UF 50V Z Y5V(F) 1508 R/TP	
		C601	79098715	0CH1105D942	CAPACITOR,CHIP[CERAMIC M/L HD	1UF 10V Z Y5V(F) 1508 R/TP	
		C602	79098715	0CH1105D942	CAPACITOR,CHIP[CERAMIC M/L HD	1UF 10V Z Y5V(F) 1508 R/TP	
		C603	79098715	0CH1105D942	CAPACITOR,CHIP[CERAMIC M/L HD	1UF 10V Z Y5V(F) 1508 R/TP	
		C604	79098715	0CH1105D942	CAPACITOR,CHIP[CERAMIC M/L HD	1UF 10V Z Y5V(F) 1508 R/TP	
		C605	79098715	0CH1105D942	CAPACITOR,CHIP[CERAMIC M/L HD	1UF 10V Z Y5V(F) 1508 R/TP	
		C607	79092014	0CH1104K942	CAPACITOR,CHIP[CERAMIC M/L HD	0.1UF 50V Z Y5V(F) 1508 R/TP	
		C608	79092014	0CH1104K942	CAPACITOR,CHIP[CERAMIC M/L HD	0.1UF 50V Z Y5V(F) 1508 R/TP	
		C609	79092014	0CH1104K942	CAPACITOR,CHIP[CERAMIC M/L HD	0.1UF 50V Z Y5V(F) 1508 R/TP	
		C610	79092014	0CH1104K942	CAPACITOR,CHIP[CERAMIC M/L HD	0.1UF 50V Z Y5V(F) 1508 R/TP	
		C612	79096154	0CH4331K412	CAPACITOR,CHIP[CERAMIC M/L TC	330P 50V J COG 1.6X0.8 R/TP	
		C613	AF000694	0CH1473K942	CAPACITOR,FIXED CERAMIC(Temp.c	0.047UF 50V 80%,-20% Y5V(F) 16	
		C614	79096609	0CH1153K562	CAPACITOR,FIXED CERAMIC(Temp.c	0.015UF 50V 10% X7R(X) 1608 R/	
		C615	79092014	0CH1104K942	CAPACITOR,CHIP[CERAMIC M/L HD	0.1UF 50V Z Y5V(F) 1508 R/TP	
		C617	79096154	0CH4331K412	CAPACITOR,CHIP[CERAMIC M/L TC	330P 50V J COG 1.6X0.8 R/TP	
		C618	79098716	0CH1152K562	CAPACITOR,FIXED CERAMIC(Temp.c	1500PF 50V 10% X7R(X) 1608 R/T	
		C619	79092014	0CH1104K942	CAPACITOR,CHIP[CERAMIC M/L HD	0.1UF 50V Z Y5V(F) 1508 R/TP	
		C620	79092014	0CH1104K942	CAPACITOR,CHIP[CERAMIC M/L HD	0.1UF 50V Z Y5V(F) 1508 R/TP	
		C621	79092014	0CH1104K942	CAPACITOR,CHIP[CERAMIC M/L HD	0.1UF 50V Z Y5V(F) 1508 R/TP	
		C622	79092014	0CH1104K942	CAPACITOR,CHIP[CERAMIC M/L HD	0.1UF 50V Z Y5V(F) 1508 R/TP	
		C623	79092014	0CH1104K942	CAPACITOR,CHIP[CERAMIC M/L HD	0.1UF 50V Z Y5V(F) 1508 R/TP	
		C624	79092014	0CH1104K942	CAPACITOR,CHIP[CERAMIC M/L HD	0.1UF 50V Z Y5V(F) 1508 R/TP	
		C625	79092014	0CH1104K942	CAPACITOR,CHIP[CERAMIC M/L HD	0.1UF 50V Z Y5V(F) 1508 R/TP	
		C626	79092014	0CH1104K942	CAPACITOR,CHIP[CERAMIC M/L HD	0.1UF 50V Z Y5V(F) 1508 R/TP	
		C627	79092014	0CH1104K942	CAPACITOR,CHIP[CERAMIC M/L HD	0.1UF 50V Z Y5V(F) 1508 R/TP	
		C628	79092014	0CH1104K942	CAPACITOR,CHIP[CERAMIC M/L HD	0.1UF 50V Z Y5V(F) 1508 R/TP	
		C629	79092014	0CH1104K942	CAPACITOR,CHIP[CERAMIC M/L HD	0.1UF 50V Z Y5V(F) 1508 R/TP	
		C630	79092014	0CH1104K942	CAPACITOR,CHIP[CERAMIC M/L HD	0.1UF 50V Z Y5V(F) 1508 R/TP	
		C631	79092014	0CH1104K942	CAPACITOR,CHIP[CERAMIC M/L HD	0.1UF 50V Z Y5V(F) 1508 R/TP	
		C633	79092014	0CH1104K942	CAPACITOR,CHIP[CERAMIC M/L HD	0.1UF 50V Z Y5V(F) 1508 R/TP	
		C636	79098720	0CH4180K412	CAPACITOR,CHIP[CERAMIC M/L TC	18P 50V J COG 1.6X0.8 R/TP	
		C637	AF000280	0CH4120K412	CHIP CAPA CERAMIC M/L T.C F/S	12P 50V J COG 1.6X0.8 R/TP	
		C640	79092014	0CH1104K942	CAPACITOR,CHIP[CERAMIC M/L HD	0.1UF 50V Z Y5V(F) 1508 R/TP	
		C641	79092014	0CH1104K942	CAPACITOR,CHIP[CERAMIC M/L HD	0.1UF 50V Z Y5V(F) 1508 R/TP	
		C643	79092014	0CH1104K942	CAPACITOR,CHIP[CERAMIC M/L HD	0.1UF 50V Z Y5V(F) 1508 R/TP	
		C646	79092014	0CH1104K942	CAPACITOR,CHIP[CERAMIC M/L HD	0.1UF 50V Z Y5V(F) 1508 R/TP	
		C649	AF000695	0CH1474H942	CAPACITOR,FIXED CERAMIC(Temp.c	0.47UF 25V 80%,-20% Y5V(F) 160	
		C651	79096598	0CH4391K412	CAPACITOR,CHIP[CERAMIC M/L TC	390PF 50V J NP0 1508 R/TP	
		C652	79092014	0CH1104K942	CAPACITOR,CHIP[CERAMIC M/L HD	0.1UF 50V Z Y5V(F) 1508 R/TP	
		C653	AF000694	0CH1473K942	CAPACITOR,FIXED CERAMIC(Temp.c	0.047UF 50V 80%,-20% Y5V(F) 16	
		C654	AF000694	0CH1473K942	CAPACITOR,FIXED CERAMIC(Temp.c	0.047UF 50V 80%,-20% Y5V(F) 16	
		C655	79098715	0CH1105D942	CAPACITOR,CHIP[CERAMIC M/L HD	1UF 10V Z Y5V(F) 1508 R/TP	
		C657	79092014	0CH1104K942	CAPACITOR,CHIP[CERAMIC M/L HD	0.1UF 50V Z Y5V(F) 1508 R/TP	
		C658	79092014	0CH1104K942	CAPACITOR,CHIP[CERAMIC M/L HD	0.1UF 50V Z Y5V(F) 1508 R/TP	
		C659	79098715	0CH1105D942	CAPACITOR,CHIP[CERAMIC M/L HD	1UF 10V Z Y5V(F) 1508 R/TP	
		C660	79092014	0CH1104K942	CAPACITOR,CHIP[CERAMIC M/L HD	0.1UF 50V Z Y5V(F) 1508 R/TP	
		C661	79092014	0CH1104K942	CAPACITOR,CHIP[CERAMIC M/L HD	0.1UF 50V Z Y5V(F) 1508 R/TP	
		C662	79098714	0CH1102K562	CAPACITOR,FIXED CERAMIC(Temp.c	1000PF 50V 10% X7R(X) 1608 R/T	
		C663	AF000283	0CH4200K412	CAPACITOR,FIXED CERAMIC(High d	20PF 50V 5% NP0 1608 R/TP	
		C664	79092014	0CH1104K942	CAPACITOR,CHIP[CERAMIC M/L HD	0.1UF 50V Z Y5V(F) 1508 R/TP	
		C665	79092019	0CH1333K562	CAPACITOR,CHIP[CERAMIC M/L HD	0.033UF 50V K X7R(X) 1508 R/TP	
		C667	79092014	0CH1104K942	CAPACITOR,CHIP[CERAMIC M/L HD	0.1UF 50V Z Y5V(F) 1508 R/TP	
		C668	79092014	0CH1104K942	CAPACITOR,CHIP[CERAMIC M/L HD	0.1UF 50V Z Y5V(F) 1508 R/TP	
		C669	79092014	0CH1104K942	CAPACITOR,CHIP[CERAMIC M/L HD	0.1UF 50V Z Y5V(F) 1508 R/TP	
		C670	79092014	0CH1104K942	CAPACITOR,CHIP[CERAMIC M/L HD	0.1UF 50V Z Y5V(F) 1508 R/TP	
		C671	79092014	0CH1104K942	CAPACITOR,CHIP[CERAMIC M/L HD	0.1UF 50V Z Y5V(F) 1508 R/TP	
		C673	79092014	0CH1104K942	CAPACITOR,CHIP[CERAMIC M/L HD	0.1UF 50V Z Y5V(F) 1508 R/TP	
		C674	79092014	0CH1104K942	CAPACITOR,CHIP[CERAMIC M/L HD	0.1UF 50V Z Y5V(F) 1508 R/TP	
		C675	79092013	0CH1103K562	CAPACITOR,FIXED CERAMIC(TEMP.C	0.01UF 50V 10% X7R(X) 1608 R/T	
		C676	79092016	0CH1222K562	CAPACITOR,CHIP[CERAMIC M/L HD	2200PF 50V K X7R(X) 1608 R/TP	
		C677	79092014	0CH1104K942	CAPACITOR,CHIP[CERAMIC M/L HD	0.1UF 50V Z Y5V(F) 1508 R/TP	
		C678	79092014	0CH1104K942	CAPACITOR,CHIP[CERAMIC M/L HD	0.1UF 50V Z Y5V(F) 1508 R/TP	
		C679	79092014	0CH1104K942	CAPACITOR,CHIP[CERAMIC M/L HD	0.1UF 50V Z Y5V(F) 1508 R/TP	
		C683	79092014	0CH1104K942	CAPACITOR,CHIP[CERAMIC M/L HD	0.1UF 50V Z Y5V(F) 1508 R/TP	
		C684	79092014	0CH1104K942	CAPACITOR,CHIP[CERAMIC M/L HD	0.1UF 50V Z Y5V(F) 1508 R/TP	
		C685	79092014	0CH1104K942	CAPACITOR,CHIP[CERAMIC M/L HD	0.1UF 50V Z Y5V(F) 1508 R/TP	
		C686	79092014	0CH1104K942	CAPACITOR,CHIP[CERAMIC M/L HD	0.1UF 50V Z Y5V(F) 1508 R/TP	
		C687	79092014	0CH1104K942	CAPACITOR,CHIP[CERAMIC M/L HD	0.1UF 50V Z Y5V(F) 1508 R/TP	
		C695	79092014	0CH1104K942	CAPACITOR,CHIP[CERAMIC M/L HD	0.1UF 50V Z Y5V(F) 1508 R/TP	

TOSHIBA MODEL : SD-34VESE

NSP : Not available as service parts.
 RUN DATE : 28-JUNE-04

S	AL	LOCA. NO.	TOSHIBA P/NO	LG PART NO.	DESCRIPTION	SPECIFICATION	REMARKS
		C698	79092014	0CH1104K942	CAPACITOR,CHIP CERAMIC M/L HD	0.1UF 50V Z Y5V(F) 1508 R/TP	
		C6A9	79092025	0CH4221K412	CAPACITOR,CHIP CERAMIC M/L TC	220P 50V J COG 1.6X0.8 R/TP	
		C6B7	79092014	0CH1104K942	CAPACITOR,CHIP CERAMIC M/L HD	0.1UF 50V Z Y5V(F) 1508 R/TP	
		C6B9	79097108	0CE4764F638	CAPACITOR,ELECTROLYTIC	47M SRA/SS 16V M FM5 TP(5)	
		C6C1	79097108	0CE4764F638	CAPACITOR,ELECTROLYTIC	47M SRA/SS 16V M FM5 TP(5)	
		C6C2	79097106	0CE2264F638	CAPACITOR,FIXED ELECTROLYTIC	22UF SRA,SS 16V 20% FM5 TP 5	
		C6C3	79097104	0CE1064F638	CAPACITOR,ELECTROLYTIC	10M SRA 16V M FM5 TP(5)	
		C6C4	79097104	0CE1064F638	CAPACITOR,ELECTROLYTIC	10M SRA 16V M FM5 TP(5)	
		C6C5	79097108	0CE4764F638	CAPACITOR,ELECTROLYTIC	47M SRA/SS 16V M FM5 TP(5)	
		C6C6	79097104	0CE1064F638	CAPACITOR,ELECTROLYTIC	10M SRA 16V M FM5 TP(5)	
		C6C7	79098705	0CE1074F638	CAPACITOR,ELECTROLYTIC	100U SRA 16V M FM5 TP(5)	
		C6C9	79098709	0CE2274C638	CAPACITOR,ELECTROLYTIC	220M SRA 6.3V M FM5 TP(5)	
		C6D4	79098709	0CE2274C638	CAPACITOR,ELECTROLYTIC	220M SRA 6.3V M FM5 TP(5)	
		C6F7	79092014	0CH1104K942	CAPACITOR,CHIP CERAMIC M/L HD	0.1UF 50V Z Y5V(F) 1508 R/TP	
		C6G4	79092014	0CH1104K942	CAPACITOR,CHIP CERAMIC M/L HD	0.1UF 50V Z Y5V(F) 1508 R/TP	
		C702	79096020	0CE4775C638	CAPACITOR,FIXED ELECTROLYTIC	470UF SR,SV 6.3V 20% FM5 TP 5	
		C703	AF000269	0CH1103K512	CAPA,CHIP CERAMIC M/L H.D F/S	0.0100UF 50V K B 1608 R/TP	
		C704	79096022	0CH1102K512	CAPACITOR,FIXED CERAMIC(TEMP.C	1000PF 50V 10% B(5YP) 1608 R/T	
		C706	79092026	0CH4330K412	CAPACITOR,CHIP CERAMIC M/L TC	33P 50V J COG 1.6X0.8 R/TP	
		C707	AF000286	0CH4680K412	CAPACITOR,FIXED CERAMIC(HIGH D	68PF 50V 5% NP0 1608 R/TP	
		C709	79092014	0CH1104K942	CAPACITOR,CHIP CERAMIC M/L HD	0.1UF 50V Z Y5V(F) 1508 R/TP	
		C710	79096275	0CE4754K638	CAPACITOR,FIXED ELECTROLYTIC	4.7UF SRA,SS 50V 20% FM5 TP 5	
		C712	AF000269	0CH1103K512	CAPA,CHIP CERAMIC M/L H.D F/S	0.0100UF 50V K B 1608 R/TP	
		C713	79092027	0CH4560K412	CAPA,CHIP CERAMIC M/L T.C F/S	56P 50V J COG 1.6X0.8 R/TP	
		C714	79092027	0CH4560K412	CAPA,CHIP CERAMIC M/L T.C F/S	56P 50V J COG 1.6X0.8 R/TP	
		C715	AF000279	0CH4050K012	CAPACITOR,FIXED CERAMIC(HIGH D	5PF 50V 0.25 PF NP0 1608 R/TP	
		C716	79096152	0CH4100K412	CAPACITOR,CHIP CERAMIC M/L TC	10PF 50V J NP0 1608 R/TP	
		C717	AF000269	0CH1103K512	CAPA,CHIP CERAMIC M/L H.D F/S	0.0100UF 50V K B 1608 R/TP	
		C718	79096276	0CE4764C638	CAPACITOR,ELECTROLYTIC	47M SRA 6.3V M FM5 TP(5)	
		C719	79096276	0CE4764C638	CAPACITOR,ELECTROLYTIC	47M SRA 6.3V M FM5 TP(5)	
		C720	AF000275	0CH1392K512	CAPACITOR,FIXED CERAMIC(Temp.c	3900PF 50V 10% B(5YP) 1608 R/T	
		C721	AF000275	0CH1392K512	CAPACITOR,FIXED CERAMIC(Temp.c	3900PF 50V 10% B(5YP) 1608 R/T	
		C722	AF000269	0CH1103K512	CAPA,CHIP CERAMIC M/L H.D F/S	0.0100UF 50V K B 1608 R/TP	
		C723	AF000269	0CH1103K512	CAPA,CHIP CERAMIC M/L H.D F/S	0.0100UF 50V K B 1608 R/TP	
		C726	AF000269	0CH1103K512	CAPA,CHIP CERAMIC M/L H.D F/S	0.0100UF 50V K B 1608 R/TP	
		C727	79096276	0CE4764C638	CAPACITOR,ELECTROLYTIC	47M SRA 6.3V M FM5 TP(5)	
		C728	AF000269	0CH1103K512	CAPA,CHIP CERAMIC M/L H.D F/S	0.0100UF 50V K B 1608 R/TP	
		C729	79096272	0CE3354K638	CAPACITOR,FIXED ELECTROLYTIC	3.3UF SRA,SS 50V 20% FM5 TP 5	
		C732	79097104	0CE1064F638	CAPACITOR,ELECTROLYTIC	10M SRA 16V M FM5 TP(5)	
		C751	79096276	0CE4764C638	CAPACITOR,ELECTROLYTIC	47M SRA 6.3V M FM5 TP(5)	
		C752	AF000269	0CH1103K512	CAPA,CHIP CERAMIC M/L H.D F/S	0.0100UF 50V K B 1608 R/TP	
		C751	79096273	0CE3364F638	CAPACITOR,ELECTROLYTIC	33M SRA 16V M FM5 TP(5)	
		C752	79097104	0CE1064F638	CAPACITOR,ELECTROLYTIC	10M SRA 16V M FM5 TP(5)	
		C7V1	79096276	0CE4764C638	CAPACITOR,ELECTROLYTIC	47M SRA 6.3V M FM5 TP(5)	
		C7V2	AF000269	0CH1103K512	CAPA,CHIP CERAMIC M/L H.D F/S	0.0100UF 50V K B 1608 R/TP	
		C7V3	79098702	0CE1054K638	CAPACITOR,ELECTROLYTIC	1.0M SRA/SS50V M FM5 TP(5)	
		C7V4	79092021	0CH1473H942	CAPA,CHIP CERAMIC M/L H.D F/S	0.0470UF 25V Z Y5V(F) 1608 R/T	
		C7V5	79092021	0CH1473H942	CAPA,CHIP CERAMIC M/L H.D F/S	0.0470UF 25V Z Y5V(F) 1608 R/T	
		C802	79092014	0CH1104K942	CAPACITOR,CHIP CERAMIC M/L HD	0.1UF 50V Z Y5V(F) 1508 R/TP	
		C803	79092014	0CH1104K942	CAPACITOR,CHIP CERAMIC M/L HD	0.1UF 50V Z Y5V(F) 1508 R/TP	
		C804	79092014	0CH1104K942	CAPACITOR,CHIP CERAMIC M/L HD	0.1UF 50V Z Y5V(F) 1508 R/TP	
		C805	79092014	0CH1104K942	CAPACITOR,CHIP CERAMIC M/L HD	0.1UF 50V Z Y5V(F) 1508 R/TP	
		C806	79097104	0CE1064F638	CAPACITOR,ELECTROLYTIC	10M SRA 16V M FM5 TP(5)	
		C807	79096616	0CE4744K638	CAPACITOR,ELECTROLYTIC	0.47M SRA 50V M FM5 TP(5)	
		C810	AF000271	0CH1105F942	CAPACITOR,FIXED CERAMIC(Temp.c	1000000PF 16V 80%,-20% Y5V(F)	
		C811	AF000271	0CH1105F942	CAPACITOR,FIXED CERAMIC(Temp.c	1000000PF 16V 80%,-20% Y5V(F)	
		C812	79097104	0CE1064F638	CAPACITOR,ELECTROLYTIC	10M SRA 16V M FM5 TP(5)	
		C813	AF000277	0CH1682K512	CAPACITOR,FIXED CERAMIC(Temp.c	6800PF 50V 10% B(5YP) 1608 R/T	
		C814	79097108	0CE4764F638	CAPACITOR,ELECTROLYTIC	47M SRA/SS 16V M FM5 TP(5)	
		C815	79097104	0CE1064F638	CAPACITOR,ELECTROLYTIC	10M SRA 16V M FM5 TP(5)	
		C816	79097104	0CE1064F638	CAPACITOR,ELECTROLYTIC	10M SRA 16V M FM5 TP(5)	
		C817	79097104	0CE1064F638	CAPACITOR,ELECTROLYTIC	10M SRA 16V M FM5 TP(5)	
		C818	79097108	0CE4764F638	CAPACITOR,ELECTROLYTIC	47M SRA/SS 16V M FM5 TP(5)	
		C819	AF000277	0CH1682K512	CAPACITOR,FIXED CERAMIC(Temp.c	6800PF 50V 10% B(5YP) 1608 R/T	
		C820	79097104	0CE1064F638	CAPACITOR,ELECTROLYTIC	10M SRA 16V M FM5 TP(5)	
		C821	79092013	0CH1103K562	CAPACITOR,FIXED CERAMIC(TEMP.C	0.01UF 50V 10% X7R(X) 1608 R/T	
		C822	79097108	0CE4764F638	CAPACITOR,ELECTROLYTIC	47M SRA/SS 16V M FM5 TP(5)	
		C823	79092014	0CH1104K942	CAPACITOR,CHIP CERAMIC M/L HD	0.1UF 50V Z Y5V(F) 1508 R/TP	
		C824	79092013	0CH1103K562	CAPACITOR,FIXED CERAMIC(TEMP.C	0.01UF 50V 10% X7R(X) 1608 R/T	
		C825	79097108	0CE4764F638	CAPACITOR,ELECTROLYTIC	47M SRA/SS 16V M FM5 TP(5)	
		C826	79092013	0CH1103K562	CAPACITOR,FIXED CERAMIC(TEMP.C	0.01UF 50V 10% X7R(X) 1608 R/T	
		C828	79097104	0CE1064F638	CAPACITOR,ELECTROLYTIC	10M SRA 16V M FM5 TP(5)	
		C829	79097104	0CE1064F638	CAPACITOR,ELECTROLYTIC	10M SRA 16V M FM5 TP(5)	
		C855	AF000271	0CH1105F942	CAPACITOR,FIXED CERAMIC(Temp.c	1000000PF 16V 80%,-20% Y5V(F)	
		C856	AF000271	0CH1105F942	CAPACITOR,FIXED CERAMIC(Temp.c	1000000PF 16V 80%,-20% Y5V(F)	

TOSHIBA MODEL : SD-34VESE

NSP : Not available as service parts.
 RUN DATE : 28-JUNE-04

S	AL	LOCA. NO.	TOSHIBA P/NO	LG PART NO.	DESCRIPTION	SPECIFICATION	REMARKS
		C857	79097104	0CE1064F638	CAPACITOR,ELECTROLYTIC	10M SRA 16V M FM5 TP(5)	
		C859	79097106	0CE2264F638	CAPACITOR,FIXED ELECTROLYTIC	22UF SRA,SS 16V 20% FM5 TP 5	
		C860	79097104	0CE1064F638	CAPACITOR,ELECTROLYTIC	10M SRA 16V M FM5 TP(5)	
		C861	79097104	0CE1064F638	CAPACITOR,ELECTROLYTIC	10M SRA 16V M FM5 TP(5)	
		C862	79097104	0CE1064F638	CAPACITOR,ELECTROLYTIC	10M SRA 16V M FM5 TP(5)	
		C863	79097108	0CE4764F638	CAPACITOR,ELECTROLYTIC	47M SRA/SS 16V M FM5 TP(5)	
		C864	79098702	0CE1054K638	CAPACITOR,ELECTROLYTIC	1.0M SRA/SS50V M FM5 TP(5)	
		C865	AF000286	0CH4680K412	CAPACITOR,FIXED CERAMIC(HIGH D	68PF 50V 5% NPO 1608 R/TP	
		C867	79097106	0CE2264F638	CAPACITOR,FIXED ELECTROLYTIC	22UF SRA,SS 16V 20% FM5 TP 5	
		C870	79092014	0CH1104K942	CAPACITOR,CHIP[CERAMIC M/L HD	0.1UF 50V Z Y5V(F) 1508 R/TP	
		C871	79092014	0CH1104K942	CAPACITOR,CHIP[CERAMIC M/L HD	0.1UF 50V Z Y5V(F) 1508 R/TP	
		C884	79092014	0CH1104K942	CAPACITOR,CHIP[CERAMIC M/L HD	0.1UF 50V Z Y5V(F) 1508 R/TP	
		C885	79092014	0CH1104K942	CAPACITOR,CHIP[CERAMIC M/L HD	0.1UF 50V Z Y5V(F) 1508 R/TP	
		C886	79096020	0CE4775C638	CAPACITOR,FIXED ELECTROLYTIC	470UF SR,SV 6.3V 20% FM5 TP 5	
		C887	79097104	0CE1064F638	CAPACITOR,ELECTROLYTIC	10M SRA 16V M FM5 TP(5)	
		C888	79097104	0CE1064F638	CAPACITOR,ELECTROLYTIC	10M SRA 16V M FM5 TP(5)	
		C889	79092014	0CH1104K942	CAPACITOR,CHIP[CERAMIC M/L HD	0.1UF 50V Z Y5V(F) 1508 R/TP	
		C890	79092014	0CH1104K942	CAPACITOR,CHIP[CERAMIC M/L HD	0.1UF 50V Z Y5V(F) 1508 R/TP	
		C901	79096020	0CE4775C638	CAPACITOR,FIXED ELECTROLYTIC	470UF SR,SV 6.3V 20% FM5 TP 5	
		C902	79096020	0CE4775C638	CAPACITOR,FIXED ELECTROLYTIC	470UF SR,SV 6.3V 20% FM5 TP 5	
		C903	79092013	0CH1103K562	CAPACITOR,FIXED CERAMIC(TEMP.C	0.01UF 50V 10% X7R(X) 1608 R/T	
		C911	79092014	0CH1104K942	CAPACITOR,CHIP[CERAMIC M/L HD	0.1UF 50V Z Y5V(F) 1508 R/TP	
		C912	79097121	0CH4101K412	CHIP CAPA CERAMIC M/L T.C F/S	100P 50V J COG 1.6X0.8 R/TP	
		C913	79097121	0CH4101K412	CHIP CAPA CERAMIC M/L T.C F/S	100P 50V J COG 1.6X0.8 R/TP	
		C915	79098721	0CH4270K412	CAPACITOR,CHIP[CERAMIC M/L TC	27PF 50V J NPO 1608 R/TP	
		C916	79096022	0CH1102K512	CAPACITOR,FIXED CERAMIC(TEMP.C	1000PF 50V 10% B(5YF) 1608 R/T	
		C917	79096022	0CH1102K512	CAPACITOR,FIXED CERAMIC(TEMP.C	1000PF 50V 10% B(5YF) 1608 R/T	
		C919	79096022	0CH1102K512	CAPACITOR,FIXED CERAMIC(TEMP.C	1000PF 50V 10% B(5YF) 1608 R/T	
		C921	79096022	0CH1102K512	CAPACITOR,FIXED CERAMIC(TEMP.C	1000PF 50V 10% B(5YF) 1608 R/T	
		C931	79096020	0CE4775C638	CAPACITOR,FIXED ELECTROLYTIC	470UF SR,SV 6.3V 20% FM5 TP 5	
		C932	79096020	0CE4775C638	CAPACITOR,FIXED ELECTROLYTIC	470UF SR,SV 6.3V 20% FM5 TP 5	
		C933	79096020	0CE4775C638	CAPACITOR,FIXED ELECTROLYTIC	470UF SR,SV 6.3V 20% FM5 TP 5	
		C934	79096020	0CE4775C638	CAPACITOR,FIXED ELECTROLYTIC	470UF SR,SV 6.3V 20% FM5 TP 5	
		C935	79096020	0CE4775C638	CAPACITOR,FIXED ELECTROLYTIC	470UF SR,SV 6.3V 20% FM5 TP 5	
		C941	79092014	0CH1104K942	CAPACITOR,CHIP[CERAMIC M/L HD	0.1UF 50V Z Y5V(F) 1508 R/TP	
		C942	79092014	0CH1104K942	CAPACITOR,CHIP[CERAMIC M/L HD	0.1UF 50V Z Y5V(F) 1508 R/TP	
		C943	79097121	0CH4101K412	CHIP CAPA CERAMIC M/L T.C F/S	100P 50V J COG 1.6X0.8 R/TP	
		C944	79097121	0CH4101K412	CHIP CAPA CERAMIC M/L T.C F/S	100P 50V J COG 1.6X0.8 R/TP	
		C945	AF000291	0CQ3921N449	CAPACITOR,FIXED FILM	3900PF D 100V 5% PP TP5	
		C946	AF000291	0CQ3921N449	CAPACITOR,FIXED FILM	3900PF D 100V 5% PP TP5	
		C960	AF000266	0CE1053K638	CAPACITOR,AL.ELECTROLYTIC	1.0M SRE/SE50V M FM5 TP(5)	
		C963	AF000266	0CE1053K638	CAPACITOR,AL.ELECTROLYTIC	1.0M SRE/SE50V M FM5 TP(5)	
		C964	79098702	0CE1054K638	CAPACITOR,ELECTROLYTIC	1.0M SRA/SS50V M FM5 TP(5)	
		C965	AF000266	0CE1053K638	CAPACITOR,AL.ELECTROLYTIC	1.0M SRE/SE50V M FM5 TP(5)	
		C966	79097108	0CE4764F638	CAPACITOR,ELECTROLYTIC	47M SRA/SS 16V M FM5 TP(5)	
		C967	79092014	0CH1104K942	CAPACITOR,CHIP[CERAMIC M/L HD	0.1UF 50V Z Y5V(F) 1508 R/TP	
		C968	79097106	0CE2264F638	CAPACITOR,FIXED ELECTROLYTIC	22UF SRA,SS 16V 20% FM5 TP 5	
		C969	79092014	0CH1104K942	CAPACITOR,CHIP[CERAMIC M/L HD	0.1UF 50V Z Y5V(F) 1508 R/TP	
		C970	AF000266	0CE1053K638	CAPACITOR,AL.ELECTROLYTIC	1.0M SRE/SE50V M FM5 TP(5)	
		CN201	AF000774	6630R-FB10W	CONNECTOR (CIRC),FFC/FPC	00-6232-023-006-800 ELCO 23PIN	
		CN202	AF000773	6630R-FB10K	CONNECTOR (CIRC),FFC/FPC	00-6232-011-006-800 ELCO 11P 1	
		CS501	AF000450	6600M000026	SWITCH,PUSH	MPU12970MLB0 VCR CST IN S/W MI	
		D114	79096008	0DR104009AB	DIODE,RECTIFIERS	RL104 R. TP GULF SEMICONDUCTOR	
		D117	79096008	0DR104009AB	DIODE,RECTIFIERS	RL104 R. TP GULF SEMICONDUCTOR	
		D118	79096008	0DR104009AB	DIODE,RECTIFIERS	RL104 R. TP GULF SEMICONDUCTOR	
		D119	79096008	0DR104009AB	DIODE,RECTIFIERS	RL104 R. TP GULF SEMICONDUCTOR	
		D121	79096305	0DD133009AA	DIODE,SWITCHING	1SS133 DETECT,SW TP	
		D122	79096008	0DR104009AB	DIODE,RECTIFIERS	RL104 R. TP GULF SEMICONDUCTOR	
		D301	79096305	0DD133009AA	DIODE,SWITCHING	1SS133 DETECT,SW TP	
		D401	79096310	0DSRM00118A	DIODE,SWITCHING	DAP202K T146 ROHM R/TP SMD 80V	
		D502	79096305	0DD133009AA	DIODE,SWITCHING	1SS133 DETECT,SW TP	
		D509	79096305	0DD133009AA	DIODE,SWITCHING	1SS133 DETECT,SW TP	
		D801	79096305	0DD133009AA	DIODE,SWITCHING	1SS133 DETECT,SW TP	
		D802	79096305	0DD133009AA	DIODE,SWITCHING	1SS133 DETECT,SW TP	
		D803	79096305	0DD133009AA	DIODE,SWITCHING	1SS133 DETECT,SW TP	
		ES501	AF000420	4931R-0085C	HOLDER ASSEMBLY	VCR DECK/MECHA END(S)	
		ES502	AF000420	4931R-0085C	HOLDER ASSEMBLY	VCR DECK/MECHA END(S)	
		IC151	AF000113	0IPMGJR007A	IC,POWER MANAGEMENT	NJM2396F08 JRC 4PIN TO-220 ST	
		IC151	79098753	0IPMGKE008B	IC,POWER MANAGEMENT	KIA78R08PI/API CU KEC 4P TO-22	
		IC151	AF000115	0IPMGSH009A	IC,POWER MANAGEMENT	PQ08RD1L SHARP 4PIN TO-220 ST	
		IC151	79098749	0IPMGFA016A	IC,POWER MANAGEMENT	KA78R08TSTU FAIRCHILD 4P TO-22	
		IC152	AF000160	0ISH313000C	IC,SHARP	PQ3RD13L 4PIN TO-220 ST 3.3V L	
		IC152	79098748	0IPMGFA015A	IC,POWER MANAGEMENT	KA78R33TSTU FAIRCHILD 4P TO-22	
		IC152	79098752	0IPMGKE006B	IC,POWER MANAGEMENT	KIA78R33PI CU KEC 4P TO-220IS	
		IC155	AF000710	0IPMGUC006A	IC,POWER MANAGEMENT	LD1117A-1.8V UTC TO252 R/TP 1.	

TOSHIBA MODEL : SD-34VESE

NSP : Not available as service parts.
 RUN DATE : 28-JUNE-04

S	AL	LOCA. NO.	TOSHIBA P/NO	LG PART NO.	DESCRIPTION	SPECIFICATION	REMARKS
		IC201	AF000703	OILNRIJ001B	IC,LINEAR	IP4504A INTERPION 28PIN,SSOPH-	
		IC301	79096583	OILNRSA005B	IC,LINEAR	LA71750EM SANYO 100PIN QFP TRA	
		IC3S1	AF000185	OILNRSA007B	IC,LINEAR	LA70100M-TRM SANYO 30PIN SOP R	
		IC401	AF000303	OIPRPCI002B	IC,PERIPHERALS	CS4392-KZR CIRRRUS LOGIC 20 TSS	
		IC402	79098737	OJRA458000B	IC,JRC	NJM4580M 8,DMP8 TP OP AMP 2K/R	
		IC402	AF000298	OILNRUC001A	IC,LINEAR	MC4580 UTC 8PIN,SOP R/TP 2CH O	
		IC501	AF000705	OIMCRHI035B	IC,MICRO CONTROLLER	HD6432197SA42F 2ND HITACHI 112	
		IC503	79096319	OIAL241600B	IC,ATMEL	AT24C16 - - - -	
		IC503	AF000009	OICS241600B	IC,CATALYST	CAT24WC16P 8P DIP ST 16K SERIA	
		IC503	79096320	OICS241600B	IC,CATALYST	CAT24WC16P 8P DIP ST 16K SERIA	
		IC504	79096322	OIKE703100A	IC,KEC	KIA7031P 3P 3.1V RESET(TAPING)	
		IC504	AF000014	OISS753100A	IC,SAMSUNG ELECTRONICS	KA7531Z TO-92 TP 3.1V RESET	
		IC505	79098739	OIKE704200B	IC,KEC	KIA7042P 3P 4.2V RESET(TAPING)	
		IC601	AF000704	OILNRNF009A	IC,LINEAR	MT1389FE/B MEDIATEK INCORPORAT	
		IC602	AF000707	OIMMRHY040D	IC,MEMORIES	HY29DL163TT-70 HYNIX 48PIN,TSO	
		IC603	AF000264	OIMMRHY001E	IC,MEMORIES	HY57V641620HGT-7 HYUNDAI 54PIN	
		IC603	AF000706	OIMMREB004A	IC,MEMORIES	M12L64164A-7T ELITE MEMORY TEC	
		IC603A	AF000790	6957R-601BC	PROGRAM	DVD PROGRAM #2 EGFSID TOSHIBA	
		IC606	79096693	OISS240210A	IC,SAMSUNG ELECTRONICS	S524A40X21-SCT0 SOP8 TP EEPROM	
		IC607	79097140	OIFA742440F	IC,FAIRCHILD	MM74HCT244SJ 20P SOIC TP 3-STA	
		IC751	AF000010	OIT341700C	IC,ITT	MSP3417G-QG-B8-V3 44 QFP TRAY	
		IC7V1	AF000294	OILNRMN001B	IC,LINEAR	SDA5650X GEG MICRONAS 20PIN SO	
		IC801	79096579	OIPH960500A	IC,PHILIPS	TDA9605H QFP44 BK HIFI AMP+HIF	
		IC802	AF000117	OIPRPMT009A	IC,PERIPHERALS	MM1443XJBE MITSUMI 34PIN SSOP	
		IC901	79096577	OIPRPMT008A	IC,PERIPHERALS	MM1623XFBE MITSUMI 28PIN SOP R	
		J501	79093020	0RH0000C622	RESISTOR,METAL GLAZED(CHIP)	0 OHM 1 / 16 W 1608 5.00% D	
		J502	79093020	0RH0000C622	RESISTOR,METAL GLAZED(CHIP)	0 OHM 1 / 16 W 1608 5.00% D	
		J701	79093020	0RH0000C622	RESISTOR,METAL GLAZED(CHIP)	0 OHM 1 / 16 W 1608 5.00% D	
		J702	79093020	0RH0000C622	RESISTOR,METAL GLAZED(CHIP)	0 OHM 1 / 16 W 1608 5.00% D	
		J910	79093020	0RH0000C622	RESISTOR,METAL GLAZED(CHIP)	0 OHM 1 / 16 W 1608 5.00% D	
		J911	79093020	0RH0000C622	RESISTOR,METAL GLAZED(CHIP)	0 OHM 1 / 16 W 1608 5.00% D	
		JK902	AF000455	6612J00050C	JACK,RCA	RCA-910A-00-01 YUQIU 2004 COMB	
		JK903	AF000087	6612K00003B	JACK,FIBER OPTIC	PLT131/T5/12(12Mbps) EVERLIGHT	
		JK904	AF000453	6612B00011A	JACK,DIN	DIN405 YUQIU 2004 COMBI	
		L111	79091005	6200HJC102A	FILTER(CIRC),EMC	HB-1M2012-102JT CERATECH TP	
		L122	79091007	633-088G	COIL,CHOKE	22MH TOKO 5MM TP	
		L122	AF000433	6140R-C011A	COIL,RF	CHOKE COIL TDK 22UH(=633-088G	
		L123	79091007	633-088G	COIL,CHOKE	22MH TOKO 5MM TP	
		L123	AF000433	6140R-C011A	COIL,RF	CHOKE COIL TDK 22UH(=633-088G	
		L201	79096571	0LR0102J025	INDUCTOR,RADIAL LEAD	10UH 5% 4X5 TR5	
		L202	79091005	6200HJC102A	FILTER(CIRC),EMC	HB-1M2012-102JT CERATECH TP	
		L203	79096571	0LR0102J025	INDUCTOR,RADIAL LEAD	10UH 5% 4X5 TR5	
		L204	79091005	6200HJC102A	FILTER(CIRC),EMC	HB-1M2012-102JT CERATECH TP	
		L205	AF000015	0LCCE00004E	INDUCTOR,CHIP	FI-C2012-103KJT (10UH) CERATEC	
		L206	79091005	6200HJC102A	FILTER(CIRC),EMC	HB-1M2012-102JT CERATECH TP	
		L207	79091005	6200HJC102A	FILTER(CIRC),EMC	HB-1M2012-102JT CERATECH TP	
		L301	79096570	0LR0102J0N5	INDUCTOR,RADIAL LEAD	10UH 5% TP 3X5 TR5 -	
		L301	AF000016	0LR0102K0P5	INDUCTOR,RADIAL LEAD	LF7.5N OEL 10UH 10% TP 4.8X4.0	
		L301	AF000103	GLR0102K0P5	INDUCTOR,RADIAL LEAD	LF7.5N OEL 10UH 10% TP 4.8X4.0	
		L303	79096570	0LR0102J0N5	INDUCTOR,RADIAL LEAD	10UH 5% TP 3X5 TR5 -	
		L303	AF000103	GLR0102K0P5	INDUCTOR,RADIAL LEAD	LF7.5N OEL 10UH 10% TP 4.8X4.0	
		L303	AF000016	0LR0102K0P5	INDUCTOR,RADIAL LEAD	LF7.5N OEL 10UH 10% TP 4.8X4.0	
		L304	79096570	0LR0102J0N5	INDUCTOR,RADIAL LEAD	10UH 5% TP 3X5 TR5 -	
		L304	AF000103	GLR0102K0P5	INDUCTOR,RADIAL LEAD	LF7.5N OEL 10UH 10% TP 4.8X4.0	
		L304	AF000016	0LR0102K0P5	INDUCTOR,RADIAL LEAD	LF7.5N OEL 10UH 10% TP 4.8X4.0	
		L305	79098758	0LR1000K035	INDUCTOR RADIAL LEAD	100M K 6X6 L5 TP	
		L306	79098758	0LR1000K035	INDUCTOR RADIAL LEAD	100M K 6X6 L5 TP	
		L307	79096570	0LR0102J0N5	INDUCTOR,RADIAL LEAD	10UH 5% TP 3X5 TR5 -	
		L307	AF000016	0LR0102K0P5	INDUCTOR,RADIAL LEAD	LF7.5N OEL 10UH 10% TP 4.8X4.0	
		L307	AF000103	GLR0102K0P5	INDUCTOR,RADIAL LEAD	LF7.5N OEL 10UH 10% TP 4.8X4.0	
		L308	79098758	0LR1000K035	INDUCTOR RADIAL LEAD	100M K 6X6 L5 TP	
		L351	79096333	0LR0102K035	INDUCTOR RADIAL LEAD	10M K 6X6 L5 TP	
		L401	79091005	6200HJC102A	FILTER(CIRC),EMC	HB-1M2012-102JT CERATECH TP	
		L501	79096575	0LA0122K018	INDUCTOR AXIAL LEAD	12M K 2.3X3.4 L5 TP	
		L503	79096569	0LR1000J0N5	INDUCTOR,RADIAL LEAD	100UH 5% TP 3X5 TR5	
		L504	79096570	0LR0102J0N5	INDUCTOR,RADIAL LEAD	10UH 5% TP 3X5 TR5 -	
		L504	AF000016	0LR0102K0P5	INDUCTOR,RADIAL LEAD	LF7.5N OEL 10UH 10% TP 4.8X4.0	
		L505	79098758	0LR1000K035	INDUCTOR RADIAL LEAD	100M K 6X6 L5 TP	
		L506	AF000083	635-027C	INDUCTOR,RADIAL LEAD	EL0405RA SKI150G-3 K-TDK 15UH	
		L5S1	79096574	0LA0332K018	INDUCTOR AXIAL LEAD	33M K 2.3X3.4 L5 TP	
		L601	79091005	6200HJC102A	FILTER(CIRC),EMC	HB-1M2012-102JT CERATECH TP	
		L603	79091005	6200HJC102A	FILTER(CIRC),EMC	HB-1M2012-102JT CERATECH TP	
		L604	79091005	6200HJC102A	FILTER(CIRC),EMC	HB-1M2012-102JT CERATECH TP	
		L605	79091005	6200HJC102A	FILTER(CIRC),EMC	HB-1M2012-102JT CERATECH TP	
		L609	79091005	6200HJC102A	FILTER(CIRC),EMC	HB-1M2012-102JT CERATECH TP	

TOSHIBA MODEL : SD-34VESE

NSP : Not available as service parts.
 RUN DATE : 28-JUNE-04

S	AL	LOCA. NO.	TOSHIBA P/NO	LG PART NO.	DESCRIPTION	SPECIFICATION	REMARKS
		L610	79091005	6200HJC102A	FILTER(CIRC),EMC	HB-1M2012-102JT CERATECH TP	
		L611	79091005	6200HJC102A	FILTER(CIRC),EMC	HB-1M2012-102JT CERATECH TP	
		L701	79098758	0LR1000K035	INDUCTOR RADIAL LEAD	100M K 6X6 L5 TP	
		L702	79096333	0LR0102K035	INDUCTOR RADIAL LEAD	10M K 6X6 L5 TP	
		L704	79096333	0LR0102K035	INDUCTOR RADIAL LEAD	10M K 6X6 L5 TP	
		L705	79096333	0LR0102K035	INDUCTOR RADIAL LEAD	10M K 6X6 L5 TP	
		L7V1	79098758	0LR1000K035	INDUCTOR RADIAL LEAD	100M K 6X6 L5 TP	
		L801	79098758	0LR1000K035	INDUCTOR RADIAL LEAD	100M K 6X6 L5 TP	
		L802	79098758	0LR1000K035	INDUCTOR RADIAL LEAD	100M K 6X6 L5 TP	
		L901	AF000015	0LCCE00004E	INDUCTOR,CHIP	FI-C2012-103KJT (10UH) CERATEC	
		L902	AF000015	0LCCE00004E	INDUCTOR,CHIP	FI-C2012-103KJT (10UH) CERATEC	
		L903	AF000015	0LCCE00004E	INDUCTOR,CHIP	FI-C2012-103KJT (10UH) CERATEC	
		L904	AF000015	0LCCE00004E	INDUCTOR,CHIP	FI-C2012-103KJT (10UH) CERATEC	
		L905	AF000015	0LCCE00004E	INDUCTOR,CHIP	FI-C2012-103KJT (10UH) CERATEC	
		L906	AF000015	0LCCE00004E	INDUCTOR,CHIP	FI-C2012-103KJT (10UH) CERATEC	
		L907	AF000015	0LCCE00004E	INDUCTOR,CHIP	FI-C2012-103KJT (10UH) CERATEC	
		L908	AF000015	0LCCE00004E	INDUCTOR,CHIP	FI-C2012-103KJT (10UH) CERATEC	
		L909	AF000015	0LCCE00004E	INDUCTOR,CHIP	FI-C2012-103KJT (10UH) CERATEC	
		L910	AF000015	0LCCE00004E	INDUCTOR,CHIP	FI-C2012-103KJT (10UH) CERATEC	
		L911	79096572	0LCCE00004L	INDUCTOR,CHIP	1UH , CHIP2012 CERATECH R/TP	
		L912	79096572	0LCCE00004L	INDUCTOR,CHIP	1UH , CHIP2012 CERATECH R/TP	
		L913	79096572	0LCCE00004L	INDUCTOR,CHIP	1UH , CHIP2012 CERATECH R/TP	
		L916	AF000015	0LCCE00004E	INDUCTOR,CHIP	FI-C2012-103KJT (10UH) CERATEC	
		L917	AF000015	0LCCE00004E	INDUCTOR,CHIP	FI-C2012-103KJT (10UH) CERATEC	
		L918	79096572	0LCCE00004L	INDUCTOR,CHIP	1UH , CHIP2012 CERATECH R/TP	
		L919	79096572	0LCCE00004L	INDUCTOR,CHIP	1UH , CHIP2012 CERATECH R/TP	
		L920	79091005	6200HJC102A	FILTER(CIRC),EMC	HB-1M2012-102JT CERATECH TP	
		L921	79091005	6200HJC102A	FILTER(CIRC),EMC	HB-1M2012-102JT CERATECH TP	
		L922	79091005	6200HJC102A	FILTER(CIRC),EMC	HB-1M2012-102JT CERATECH TP	
		LD501	AF000421	4931R-0089C	HOLDER ASSEMBLY	VCR DECK/MECHA END(S)	
		MS501	AF000448	6600JR3002D	SWITCH,MODE	SSS-51MD-3 SHINMEI 5VDC 1MA D3	
		MS501	AF000449	6600JR3002E	SWITCH,MODE	MMS01080ZMBO MIC 5VDC 1MA D37	
		P3D01	AF000754	561-234S	CONNECTOR (CIRC),FFC/FPC	GF120-9S-TS-A LG CABLE 9P 1.25	
		P3D02	AF000769	6630R5S008J	CONNECTOR(CIRC),DRAWING	06(1)FM22.2H-BTR-SH JST 6P 6.	
		P3D03	AF000755	561-251B	CONNECTOR(CIRC),DRAWING	GB201-2P-TS-B(LGC)	
		PM601	AF000762	561-843L	CONNECTOR(CIRC),DRAWING	TUC-P12P-B1,TAIKO	
		PM602	AF000760	561-843D	CONNECTOR(CIRC),DRAWING	TUC-P05P-B1 TAIKO 5P 2.0MM	
		PM603	AF000760	561-843D	CONNECTOR(CIRC),DRAWING	TUC-P05P-B1 TAIKO 5P 2.0MM	
		PMC01	AF000768	6630BK01612	CONNECTOR (CIRC),BOARD TO BOAR	JE612-A2T-12A JAE EUN 12P 2.0M	
		PMP01	AF000767	6630B60E908	CONNECTOR (CIRC),BOARD TO BOAR	JE117-D22T-08 JAE EUN 8P 2.54M	
		Q150	AF000328	0TRAU90024A	TRANSISTOR,BIPOLARS	STA353 AUK KOREA TP MPAK -40V	
		Q153	AF000327	0TR928009AD	TRANSISTOR	KSA928A-Y,TO-92L TP SAMSUNG TO	
		Q153	79095003	0TR127309AA	TRANSISTOR	KTA1273-TP-Y (KTA966A)KEC	
		Q153	AF000324	0TR127709AB	TRANSISTOR,BIPOLARS	AUK KOREA STB1277LY-AT TP TO-9	
		Q154	79095008	0TR387509AC	TRANSISTOR	CHIP KTC3875S-GR-T1(ALG) KEC	
		Q156	79096378	0TR534409AA	TRANSISTOR	2SC5344Y TP	
		Q161	79097532	0TR126809BA	TRANSISTOR,BIPOLARS	KTA1268-BL TP KEC	
		Q162	79095008	0TR387509AC	TRANSISTOR	CHIP KTC3875S-GR-T1(ALG) KEC	
		Q163	AF000327	0TR928009AD	TRANSISTOR	KSA928A-Y,TO-92L TP SAMSUNG TO	
		Q163	AF000324	0TR127709AB	TRANSISTOR,BIPOLARS	AUK KOREA STB1277LY-AT TP TO-9	
		Q163	79095003	0TR127309AA	TRANSISTOR	KTA1273-TP-Y (KTA966A)KEC	
		Q164	79095008	0TR387509AC	TRANSISTOR	CHIP KTC3875S-GR-T1(ALG) KEC	
		Q173	79095008	0TR387509AC	TRANSISTOR	CHIP KTC3875S-GR-T1(ALG) KEC	
		Q201	79095008	0TR387509AC	TRANSISTOR	CHIP KTC3875S-GR-T1(ALG) KEC	
		Q202	79096542	0TRRH80042A	TRANSISTOR,BIPOLARS	2SK3018 T106 ROHM KOREA R/TP U	
		Q203	79096542	0TRRH80042A	TRANSISTOR,BIPOLARS	2SK3018 T106 ROHM KOREA R/TP U	
		Q204	79095002	0TR103709BB	TRANSISTOR,BIPOLARS	2SA1037K-Q CHIP TP ROHM - -	
		Q205	79095002	0TR103709BB	TRANSISTOR,BIPOLARS	2SA1037K-Q CHIP TP ROHM - -	
		Q301	79095008	0TR387509AC	TRANSISTOR	CHIP KTC3875S-GR-T1(ALG) KEC	
		Q302	79095005	0TR150409AC	TRANSISTOR	KTA1504-GR-T1(ASG) CHIP KEC	
		Q303	79095008	0TR387509AC	TRANSISTOR	CHIP KTC3875S-GR-T1(ALG) KEC	
		Q304	79095008	0TR387509AC	TRANSISTOR	CHIP KTC3875S-GR-T1(ALG) KEC	
		Q305	79095005	0TR150409AC	TRANSISTOR	KTA1504-GR-T1(ASG) CHIP KEC	
		Q306	79096378	0TR534409AA	TRANSISTOR	2SC5344Y TP	
		Q306	79096543	0TR320309AA	TRANSISTOR,BIPOLARS	KTC3203 KEC TP TO92 50V 150MA	
		Q309	79095005	0TR150409AC	TRANSISTOR	KTA1504-GR-T1(ASG) CHIP KEC	
		Q311	AF000326	0TR319909AA	TRANSISTOR	KTC3199-GR (2SC3199) TP KEC TO	
		Q401	79095002	0TR103709BB	TRANSISTOR,BIPOLARS	2SA1037K-Q CHIP TP ROHM - -	
		Q404	79096031	0TR103009AC	TRANSISTOR	KRA103S-T1(PC)22-22 CHIP KEC	
		Q405	79096031	0TR103009AC	TRANSISTOR	KRA103S-T1(PC)22-22 CHIP KEC	
		Q501	79095008	0TR387509AC	TRANSISTOR	CHIP KTC3875S-GR-T1(ALG) KEC	
		Q502	79095008	0TR387509AC	TRANSISTOR	CHIP KTC3875S-GR-T1(ALG) KEC	
		Q503	AF000327	0TR928009AD	TRANSISTOR	KSA928A-Y,TO-92L TP SAMSUNG TO	
		Q503	79095003	0TR127309AA	TRANSISTOR	KTA1273-TP-Y (KTA966A)KEC	
		Q503	AF000324	0TR127709AB	TRANSISTOR,BIPOLARS	AUK KOREA STB1277LY-AT TP TO-9	

TOSHIBA MODEL : SD-34VESE

NSP : Not available as service parts.
 RUN DATE : 28-JUNE-04

S	AL	LOCA. NO.	TOSHIBA P/NO	LG PART NO.	DESCRIPTION	SPECIFICATION	REMARKS
		Q504	79095008	0TR387509AC	TRANSISTOR	CHIP KTC3875S-GR-T1(ALG) KEC	
		Q514	79095001	0TR103009AA	TRANSISTOR	CHIP KRC103S-T1(NC)22-22 KEC	
		Q515	79095001	0TR103009AA	TRANSISTOR	CHIP KRC103S-T1(NC)22-22 KEC	
		Q5S1	79095008	0TR387509AC	TRANSISTOR	CHIP KTC3875S-GR-T1(ALG) KEC	
		Q7S1	79095008	0TR387509AC	TRANSISTOR	CHIP KTC3875S-GR-T1(ALG) KEC	
		Q7S2	79095001	0TR103009AA	TRANSISTOR	CHIP KRC103S-T1(NC)22-22 KEC	
		Q801	79095008	0TR387509AC	TRANSISTOR	CHIP KTC3875S-GR-T1(ALG) KEC	
		Q802	79095008	0TR387509AC	TRANSISTOR	CHIP KTC3875S-GR-T1(ALG) KEC	
		Q902	79095008	0TR387509AC	TRANSISTOR	CHIP KTC3875S-GR-T1(ALG) KEC	
		Q903	79095008	0TR387509AC	TRANSISTOR	CHIP KTC3875S-GR-T1(ALG) KEC	
		Q905	79095008	0TR387509AC	TRANSISTOR	CHIP KTC3875S-GR-T1(ALG) KEC	
		R110	79093045	0RH4701C622	RESISTOR,METAL GLAZED(CHIP)	4.7K OHM 1 / 16 W 1608 5.00% D	
		R150	79093029	0RH1002C622	RESISTOR,METAL GLAZED(CHIP)	10K OHM 1 / 16 W 1608 5.00% D	
		R151	79093039	0RH2201C622	RESISTOR,METAL GLAZED(CHIP)	2.2K OHM 1 / 16 W 1608 5.00% D	
		R152	79093032	0RH1202C622	RESISTOR,METAL GLAZED(CHIP)	12K OHM 1 / 16 W 1608 5.00% D	
		R153	79093029	0RH1002C622	RESISTOR,METAL GLAZED(CHIP)	10K OHM 1 / 16 W 1608 5.00% D	
		R154	79098767	0RH1001C622	RESISTOR,METAL GLAZED(CHIP)	1K OHM 1 / 16 W 1608 5.00% D	
		R155	79093043	0RH3902C622	RESISTOR,METAL GLAZED(CHIP)	39K OHM 1 / 16 W 1608 5.00% D	
		R156	79093029	0RH1002C622	RESISTOR,METAL GLAZED(CHIP)	10K OHM 1 / 16 W 1608 5.00% D	
		R157	79098767	0RH1001C622	RESISTOR,METAL GLAZED(CHIP)	1K OHM 1 / 16 W 1608 5.00% D	
		R158	79093044	0RH4700C622	RESISTOR,METAL GLAZED(CHIP)	470 OHM 1 / 16 W 1608 5.00% D	
		R159	79093044	0RH4700C622	RESISTOR,METAL GLAZED(CHIP)	470 OHM 1 / 16 W 1608 5.00% D	
		R160	79093044	0RH4700C622	RESISTOR,METAL GLAZED(CHIP)	470 OHM 1 / 16 W 1608 5.00% D	
		R161	79093020	0RH0000C622	RESISTOR,METAL GLAZED(CHIP)	0 OHM 1 / 16 W 1608 5.00% D	
		R162	79093020	0RH0000C622	RESISTOR,METAL GLAZED(CHIP)	0 OHM 1 / 16 W 1608 5.00% D	
		R163	79093020	0RH0000C622	RESISTOR,METAL GLAZED(CHIP)	0 OHM 1 / 16 W 1608 5.00% D	
		R164	79093045	0RH4701C622	RESISTOR,METAL GLAZED(CHIP)	4.7K OHM 1 / 16 W 1608 5.00% D	
		R170	79093029	0RH1002C622	RESISTOR,METAL GLAZED(CHIP)	10K OHM 1 / 16 W 1608 5.00% D	
		R172	79093045	0RH4701C622	RESISTOR,METAL GLAZED(CHIP)	4.7K OHM 1 / 16 W 1608 5.00% D	
		R173	79093041	0RH3300C622	RESISTOR,METAL GLAZED(CHIP)	330 OHM 1 / 16 W 1608 5.00% D	
		R174	79093045	0RH4701C622	RESISTOR,METAL GLAZED(CHIP)	4.7K OHM 1 / 16 W 1608 5.00% D	
		R175	79093045	0RH4701C622	RESISTOR,METAL GLAZED(CHIP)	4.7K OHM 1 / 16 W 1608 5.00% D	
		R176	79093041	0RH3300C622	RESISTOR,METAL GLAZED(CHIP)	330 OHM 1 / 16 W 1608 5.00% D	
		R177	79093043	0RH3902C622	RESISTOR,METAL GLAZED(CHIP)	39K OHM 1 / 16 W 1608 5.00% D	
		R181	79093032	0RH1202C622	RESISTOR,METAL GLAZED(CHIP)	12K OHM 1 / 16 W 1608 5.00% D	
		R182	79093032	0RH1202C622	RESISTOR,METAL GLAZED(CHIP)	12K OHM 1 / 16 W 1608 5.00% D	
		R201	79093029	0RH1002C622	RESISTOR,METAL GLAZED(CHIP)	10K OHM 1 / 16 W 1608 5.00% D	
		R202	79096030	0RH1003C622	RESISTOR,METAL GLAZED(CHIP)	100K OHM 1 / 16 W 1608 5.00% D	
		R203	79093029	0RH1002C622	RESISTOR,METAL GLAZED(CHIP)	10K OHM 1 / 16 W 1608 5.00% D	
		R204	79096030	0RH1003C622	RESISTOR,METAL GLAZED(CHIP)	100K OHM 1 / 16 W 1608 5.00% D	
		R205	79093020	0RH0000C622	RESISTOR,METAL GLAZED(CHIP)	0 OHM 1 / 16 W 1608 5.00% D	
		R206	79093020	0RH0000C622	RESISTOR,METAL GLAZED(CHIP)	0 OHM 1 / 16 W 1608 5.00% D	
		R207	79093020	0RH0000C622	RESISTOR,METAL GLAZED(CHIP)	0 OHM 1 / 16 W 1608 5.00% D	
		R208	79093020	0RH0000C622	RESISTOR,METAL GLAZED(CHIP)	0 OHM 1 / 16 W 1608 5.00% D	
		R209	79093020	0RH0000C622	RESISTOR,METAL GLAZED(CHIP)	0 OHM 1 / 16 W 1608 5.00% D	
		R210	79093020	0RH0000C622	RESISTOR,METAL GLAZED(CHIP)	0 OHM 1 / 16 W 1608 5.00% D	
		R211	79093020	0RH0000C622	RESISTOR,METAL GLAZED(CHIP)	0 OHM 1 / 16 W 1608 5.00% D	
		R212	79093029	0RH1002C622	RESISTOR,METAL GLAZED(CHIP)	10K OHM 1 / 16 W 1608 5.00% D	
		R213	79096208	0RH0331C622	RESISTOR,METAL GLAZED(CHIP)	3.3 OHM 1 / 16 W 1608 5.00% D	
		R214	79093024	0RH0471C622	RESISTOR,METAL GLAZED(CHIP)	4.7 OHM 1 / 16 W 1608 5.00% D	
		R215	79093020	0RH0000C622	RESISTOR,METAL GLAZED(CHIP)	0 OHM 1 / 16 W 1608 5.00% D	
		R216	79093020	0RH0000C622	RESISTOR,METAL GLAZED(CHIP)	0 OHM 1 / 16 W 1608 5.00% D	
		R217	79096547	0RJ7503C677	RESISTOR,METAL GLAZED(CHIP)	750K OHM 1/16 W 5% 1608 R/TP	
		R218	79096547	0RJ7503C677	RESISTOR,METAL GLAZED(CHIP)	750K OHM 1/16 W 5% 1608 R/TP	
		R219	79093020	0RH0000C622	RESISTOR,METAL GLAZED(CHIP)	0 OHM 1 / 16 W 1608 5.00% D	
		R220	79096553	0RH3903C622	RESISTOR,METAL GLAZED(CHIP)	390K OHM 1 / 16 W 1608 5.00% D	
		R221	79096553	0RH3903C622	RESISTOR,METAL GLAZED(CHIP)	390K OHM 1 / 16 W 1608 5.00% D	
		R222	AF000309	0RH0201D622	RESISTOR,METAL GLAZED(CHIP)	2 OHM 1 / 10 W 2012 5.00% D	
		R223	79093020	0RH0000C622	RESISTOR,METAL GLAZED(CHIP)	0 OHM 1 / 16 W 1608 5.00% D	
		R224	79093020	0RH0000C622	RESISTOR,METAL GLAZED(CHIP)	0 OHM 1 / 16 W 1608 5.00% D	
		R225	79093020	0RH0000C622	RESISTOR,METAL GLAZED(CHIP)	0 OHM 1 / 16 W 1608 5.00% D	
		R226	79093020	0RH0000C622	RESISTOR,METAL GLAZED(CHIP)	0 OHM 1 / 16 W 1608 5.00% D	
		R227	79093047	0RH5601C622	RESISTOR,METAL GLAZED(CHIP)	5.6K OHM 1 / 16 W 1608 5.00% D	
		R228	79093045	0RH4701C622	RESISTOR,METAL GLAZED(CHIP)	4.7K OHM 1 / 16 W 1608 5.00% D	
		R231	79096565	0RH0101C622	RESISTOR,METAL GLAZED(CHIP)	1 OHM 1 / 16 W 1608 5.00% D	
		R232	79096565	0RH0101C622	RESISTOR,METAL GLAZED(CHIP)	1 OHM 1 / 16 W 1608 5.00% D	
		R233	79096565	0RH0101C622	RESISTOR,METAL GLAZED(CHIP)	1 OHM 1 / 16 W 1608 5.00% D	
		R234	79096565	0RH0101C622	RESISTOR,METAL GLAZED(CHIP)	1 OHM 1 / 16 W 1608 5.00% D	
		R236	79093020	0RH0000C622	RESISTOR,METAL GLAZED(CHIP)	0 OHM 1 / 16 W 1608 5.00% D	
		R239	79093029	0RH1002C622	RESISTOR,METAL GLAZED(CHIP)	10K OHM 1 / 16 W 1608 5.00% D	
		R240	79098774	0RH5602C622	RESISTOR,METAL GLAZED(CHIP)	56K OHM 1 / 16 W 1608 5.00% D	
		R243	79093029	0RH1002C622	RESISTOR,METAL GLAZED(CHIP)	10K OHM 1 / 16 W 1608 5.00% D	
		R244	79093039	0RH2201C622	RESISTOR,METAL GLAZED(CHIP)	2.2K OHM 1 / 16 W 1608 5.00% D	
		R246	79093029	0RH1002C622	RESISTOR,METAL GLAZED(CHIP)	10K OHM 1 / 16 W 1608 5.00% D	
		R291	AF000309	0RH0201D622	RESISTOR,METAL GLAZED(CHIP)	2 OHM 1 / 10 W 2012 5.00% D	

TOSHIBA MODEL : SD-34VESE

NSP : Not available as service parts.
 RUN DATE : 28-JUNE-04

S	AL	LOCA. NO.	TOSHIBA P/NO	LG PART NO.	DESCRIPTION	SPECIFICATION	REMARKS
		R301	79098774	0RH5602C622	RESISTOR,METAL GLAZED(CHIP)	56K OHM 1 / 16 W 1608 5.00% D	
		R302	79093029	0RH1002C622	RESISTOR,METAL GLAZED(CHIP)	10K OHM 1 / 16 W 1608 5.00% D	
		R303	79093037	0RH1802C622	RESISTOR,METAL GLAZED(CHIP)	18K OHM 1 / 16 W 1608 5.00% D	
		R304	79093029	0RH1002C622	RESISTOR,METAL GLAZED(CHIP)	10K OHM 1 / 16 W 1608 5.00% D	
		R305	79093029	0RH1002C622	RESISTOR,METAL GLAZED(CHIP)	10K OHM 1 / 16 W 1608 5.00% D	
		R306	79093029	0RH1002C622	RESISTOR,METAL GLAZED(CHIP)	10K OHM 1 / 16 W 1608 5.00% D	
		R307	79093039	0RH2201C622	RESISTOR,METAL GLAZED(CHIP)	2.2K OHM 1 / 16 W 1608 5.00% D	
		R308	79093045	0RH4701C622	RESISTOR,METAL GLAZED(CHIP)	4.7K OHM 1 / 16 W 1608 5.00% D	
		R309	79098767	0RH1001C622	RESISTOR,METAL GLAZED(CHIP)	1K OHM 1 / 16 W 1608 5.00% D	
		R310	79093045	0RH4701C622	RESISTOR,METAL GLAZED(CHIP)	4.7K OHM 1 / 16 W 1608 5.00% D	
		R311	79098767	0RH1001C622	RESISTOR,METAL GLAZED(CHIP)	1K OHM 1 / 16 W 1608 5.00% D	
		R312	AF000320	0RH6802C622	RESISTOR,METAL GLAZED(CHIP)	68K OHM 1 / 16 W 1608 5.00% D	
		R313	AF000312	0RH1800C622	RESISTOR,METAL GLAZED(CHIP)	180 OHM 1 / 16 W 1608 5.00% D	
		R314	79093029	0RH1002C622	RESISTOR,METAL GLAZED(CHIP)	10K OHM 1 / 16 W 1608 5.00% D	
		R315	79093027	0RH1000C622	RESISTOR,METAL GLAZED(CHIP)	100 OHM 1 / 16 W 1608 5.00% D	
		R316	79093027	0RH1000C622	RESISTOR,METAL GLAZED(CHIP)	100 OHM 1 / 16 W 1608 5.00% D	
		R317	79093047	0RH5601C622	RESISTOR,METAL GLAZED(CHIP)	5.6K OHM 1 / 16 W 1608 5.00% D	
		R318	79096361	0RH3901C622	RESISTOR,METAL GLAZED(CHIP)	3.9K OHM 1 / 16 W 1608 5.00% D	
		R318	79096216	0RH3901C622	RESISTOR,METAL GLAZED(CHIP)	3.9K OHM 1 / 16 W 1608 5.00% D	
		R319	79093046	0RH5600C622	RESISTOR,METAL GLAZED(CHIP)	560 OHM 1 / 16 W 1608 5.00% D	
		R320	AF000312	0RH1800C622	RESISTOR,METAL GLAZED(CHIP)	180 OHM 1 / 16 W 1608 5.00% D	
		R321	79093031	0RH1201C622	RESISTOR,METAL GLAZED(CHIP)	1.2K OHM 1 / 16 W 1608 5.00% D	
		R322	79096480	0RH8201C622	RESISTOR,METAL GLAZED(CHIP)	8.2K OHM 1 / 16 W 1608 5.00% D	
		R324	AF000317	0RH3303C622	RESISTOR,METAL GLAZED(CHIP)	330K OHM 1 / 16 W 1608 5.00% D	
		R325	79093031	0RH1201C622	RESISTOR,METAL GLAZED(CHIP)	1.2K OHM 1 / 16 W 1608 5.00% D	
		R326	79093032	0RH1202C622	RESISTOR,METAL GLAZED(CHIP)	12K OHM 1 / 16 W 1608 5.00% D	
		R327	79093047	0RH5601C622	RESISTOR,METAL GLAZED(CHIP)	5.6K OHM 1 / 16 W 1608 5.00% D	
		R328	AF000314	0RH2700C622	RESISTOR,METAL GLAZED(CHIP)	270 OHM 1 / 16 W 1608 5.00% D	
		R329	79093032	0RH1202C622	RESISTOR,METAL GLAZED(CHIP)	12K OHM 1 / 16 W 1608 5.00% D	
		R330	79093029	0RH1002C622	RESISTOR,METAL GLAZED(CHIP)	10K OHM 1 / 16 W 1608 5.00% D	
		R331	79093045	0RH4701C622	RESISTOR,METAL GLAZED(CHIP)	4.7K OHM 1 / 16 W 1608 5.00% D	
		R332	79098773	0RH4702C622	RESISTOR,METAL GLAZED(CHIP)	47K OHM 1 / 16 W 1608 5.00% D	
		R333	79096361	0RH3901C622	RESISTOR,METAL GLAZED(CHIP)	3.9K OHM 1 / 16 W 1608 5.00% D	
		R333	79096216	0RH3901C622	RESISTOR,METAL GLAZED(CHIP)	3.9K OHM 1 / 16 W 1608 5.00% D	
		R334	AF000315	0RH2701C622	RESISTOR,METAL GLAZED(CHIP)	2.7K OHM 1 / 16 W 1608 5.00% D	
		R335	79093050	0RH6801C622	RESISTOR,METAL GLAZED(CHIP)	6.8K OHM 1 / 16 W 1608 5.00% D	
		R336	79096030	0RH1003C622	RESISTOR,METAL GLAZED(CHIP)	100K OHM 1 / 16 W 1608 5.00% D	
		R337	79098770	0RH1801C622	RESISTOR,METAL GLAZED(CHIP)	1.8K OHM 1 / 16 W 1608 5.00% D	
		R338	AF000314	0RH2700C622	RESISTOR,METAL GLAZED(CHIP)	270 OHM 1 / 16 W 1608 5.00% D	
		R339	AF000314	0RH2700C622	RESISTOR,METAL GLAZED(CHIP)	270 OHM 1 / 16 W 1608 5.00% D	
		R340	79093037	0RH1802C622	RESISTOR,METAL GLAZED(CHIP)	18K OHM 1 / 16 W 1608 5.00% D	
		R342	79098767	0RH1001C622	RESISTOR,METAL GLAZED(CHIP)	1K OHM 1 / 16 W 1608 5.00% D	
		R343	79098767	0RH1001C622	RESISTOR,METAL GLAZED(CHIP)	1K OHM 1 / 16 W 1608 5.00% D	
		R345	79093031	0RH1201C622	RESISTOR,METAL GLAZED(CHIP)	1.2K OHM 1 / 16 W 1608 5.00% D	
		R346	79093020	0RH0000C622	RESISTOR,METAL GLAZED(CHIP)	0 OHM 1 / 16 W 1608 5.00% D	
		R347	79098767	0RH1001C622	RESISTOR,METAL GLAZED(CHIP)	1K OHM 1 / 16 W 1608 5.00% D	
		R348	AF000311	0RH1504C622	RESISTOR,METAL GLAZED(CHIP)	1.5M OHM 1 / 16 W 1608 5.00% D	
		R349	79098770	0RH1801C622	RESISTOR,METAL GLAZED(CHIP)	1.8K OHM 1 / 16 W 1608 5.00% D	
		R350	79093029	0RH1002C622	RESISTOR,METAL GLAZED(CHIP)	10K OHM 1 / 16 W 1608 5.00% D	
		R351	AF000322	0RH8203C622	RESISTOR,METAL GLAZED(CHIP)	820K OHM 1 / 16 W 1608 5.00% D	
		R352	79093041	0RH3300C622	RESISTOR,METAL GLAZED(CHIP)	330 OHM 1 / 16 W 1608 5.00% D	
		R353	79093041	0RH3300C622	RESISTOR,METAL GLAZED(CHIP)	330 OHM 1 / 16 W 1608 5.00% D	
		R356	79098767	0RH1001C622	RESISTOR,METAL GLAZED(CHIP)	1K OHM 1 / 16 W 1608 5.00% D	
		R365	79093031	0RH1201C622	RESISTOR,METAL GLAZED(CHIP)	1.2K OHM 1 / 16 W 1608 5.00% D	
		R366	79093020	0RH0000C622	RESISTOR,METAL GLAZED(CHIP)	0 OHM 1 / 16 W 1608 5.00% D	
		R367	79093020	0RH0000C622	RESISTOR,METAL GLAZED(CHIP)	0 OHM 1 / 16 W 1608 5.00% D	
		R368	79098767	0RH1001C622	RESISTOR,METAL GLAZED(CHIP)	1K OHM 1 / 16 W 1608 5.00% D	
		R375	79093031	0RH1201C622	RESISTOR,METAL GLAZED(CHIP)	1.2K OHM 1 / 16 W 1608 5.00% D	
		R3S1	79098767	0RH1001C622	RESISTOR,METAL GLAZED(CHIP)	1K OHM 1 / 16 W 1608 5.00% D	
		R3S3	AF000313	0RH2204C622	RESISTOR,METAL GLAZED(CHIP)	2.2M OHM 1 / 16 W 1608 5.00% D	
		R3S4	79098773	0RH4702C622	RESISTOR,METAL GLAZED(CHIP)	47K OHM 1 / 16 W 1608 5.00% D	
		R401	79098767	0RH1001C622	RESISTOR,METAL GLAZED(CHIP)	1K OHM 1 / 16 W 1608 5.00% D	
		R402	79093020	0RH0000C622	RESISTOR,METAL GLAZED(CHIP)	0 OHM 1 / 16 W 1608 5.00% D	
		R403	79093020	0RH0000C622	RESISTOR,METAL GLAZED(CHIP)	0 OHM 1 / 16 W 1608 5.00% D	
		R404	79093020	0RH0000C622	RESISTOR,METAL GLAZED(CHIP)	0 OHM 1 / 16 W 1608 5.00% D	
		R405	79093020	0RH0000C622	RESISTOR,METAL GLAZED(CHIP)	0 OHM 1 / 16 W 1608 5.00% D	
		R407	79093047	0RH5601C622	RESISTOR,METAL GLAZED(CHIP)	5.6K OHM 1 / 16 W 1608 5.00% D	
		R408	79093050	0RH6801C622	RESISTOR,METAL GLAZED(CHIP)	6.8K OHM 1 / 16 W 1608 5.00% D	
		R409	79093050	0RH6801C622	RESISTOR,METAL GLAZED(CHIP)	6.8K OHM 1 / 16 W 1608 5.00% D	
		R410	79093050	0RH6801C622	RESISTOR,METAL GLAZED(CHIP)	6.8K OHM 1 / 16 W 1608 5.00% D	
		R411	79093050	0RH6801C622	RESISTOR,METAL GLAZED(CHIP)	6.8K OHM 1 / 16 W 1608 5.00% D	
		R412	79096480	0RH8201C622	RESISTOR,METAL GLAZED(CHIP)	8.2K OHM 1 / 16 W 1608 5.00% D	
		R413	79098770	0RH1801C622	RESISTOR,METAL GLAZED(CHIP)	1.8K OHM 1 / 16 W 1608 5.00% D	
		R414	79098770	0RH1801C622	RESISTOR,METAL GLAZED(CHIP)	1.8K OHM 1 / 16 W 1608 5.00% D	
		R415	79096480	0RH8201C622	RESISTOR,METAL GLAZED(CHIP)	8.2K OHM 1 / 16 W 1608 5.00% D	

TOSHIBA MODEL : SD-34VESE

NSP : Not available as service parts.
 RUN DATE : 28-JUNE-04

S	AL	LOCA. NO.	TOSHIBA P/NO	LG PART NO.	DESCRIPTION	SPECIFICATION	REMARKS
		R416	79098770	0RH1801C622	RESISTOR,METAL GLAZED(CHIP)	1.8K OHM 1 / 16 W 1608 5.00% D	
		R417	79093045	0RH4701C622	RESISTOR,METAL GLAZED(CHIP)	4.7K OHM 1 / 16 W 1608 5.00% D	
		R418	79096480	0RH8201C622	RESISTOR,METAL GLAZED(CHIP)	8.2K OHM 1 / 16 W 1608 5.00% D	
		R419	79096480	0RH8201C622	RESISTOR,METAL GLAZED(CHIP)	8.2K OHM 1 / 16 W 1608 5.00% D	
		R420	79098770	0RH1801C622	RESISTOR,METAL GLAZED(CHIP)	1.8K OHM 1 / 16 W 1608 5.00% D	
		R421	79093041	0RH3300C622	RESISTOR,METAL GLAZED(CHIP)	330 OHM 1 / 16 W 1608 5.00% D	
		R422	79093041	0RH3300C622	RESISTOR,METAL GLAZED(CHIP)	330 OHM 1 / 16 W 1608 5.00% D	
		R423	79098767	0RH1001C622	RESISTOR,METAL GLAZED(CHIP)	1K OHM 1 / 16 W 1608 5.00% D	
		R424	79098767	0RH1001C622	RESISTOR,METAL GLAZED(CHIP)	1K OHM 1 / 16 W 1608 5.00% D	
		R425	79098767	0RH1001C622	RESISTOR,METAL GLAZED(CHIP)	1K OHM 1 / 16 W 1608 5.00% D	
		R426	79098767	0RH1001C622	RESISTOR,METAL GLAZED(CHIP)	1K OHM 1 / 16 W 1608 5.00% D	
		R427	79098767	0RH1001C622	RESISTOR,METAL GLAZED(CHIP)	1K OHM 1 / 16 W 1608 5.00% D	
		R501	79093027	0RH1000C622	RESISTOR,METAL GLAZED(CHIP)	100 OHM 1 / 16 W 1608 5.00% D	
		R502	79093027	0RH1000C622	RESISTOR,METAL GLAZED(CHIP)	100 OHM 1 / 16 W 1608 5.00% D	
		R503	79093045	0RH4701C622	RESISTOR,METAL GLAZED(CHIP)	4.7K OHM 1 / 16 W 1608 5.00% D	
		R504	79098767	0RH1001C622	RESISTOR,METAL GLAZED(CHIP)	1K OHM 1 / 16 W 1608 5.00% D	
		R505	79098767	0RH1001C622	RESISTOR,METAL GLAZED(CHIP)	1K OHM 1 / 16 W 1608 5.00% D	
		R506	79093020	0RH0000C622	RESISTOR,METAL GLAZED(CHIP)	0 OHM 1 / 16 W 1608 5.00% D	
		R508	79093042	0RH3301C622	RESISTOR,METAL GLAZED(CHIP)	3.3K OHM 1 / 16 W 1608 5.00% D	
		R509	79098770	0RH1801C622	RESISTOR,METAL GLAZED(CHIP)	1.8K OHM 1 / 16 W 1608 5.00% D	
		R510	79093039	0RH2201C622	RESISTOR,METAL GLAZED(CHIP)	2.2K OHM 1 / 16 W 1608 5.00% D	
		R511	79098767	0RH1001C622	RESISTOR,METAL GLAZED(CHIP)	1K OHM 1 / 16 W 1608 5.00% D	
		R512	79098767	0RH1001C622	RESISTOR,METAL GLAZED(CHIP)	1K OHM 1 / 16 W 1608 5.00% D	
		R513	79098767	0RH1001C622	RESISTOR,METAL GLAZED(CHIP)	1K OHM 1 / 16 W 1608 5.00% D	
		R514	AF000310	0RH1203C622	RESISTOR,METAL GLAZED(CHIP)	120K OHM 1 / 16 W 1608 5.00% D	
		R515	AF000314	0RH2700C622	RESISTOR,METAL GLAZED(CHIP)	270 OHM 1 / 16 W 1608 5.00% D	
		R516	79096217	0RH4703C622	RESISTOR,METAL GLAZED(CHIP)	470K OHM 1 / 16 W 1608 5.00% D	
		R517	79093044	0RH4700C622	RESISTOR,METAL GLAZED(CHIP)	470 OHM 1 / 16 W 1608 5.00% D	
		R518	79098767	0RH1001C622	RESISTOR,METAL GLAZED(CHIP)	1K OHM 1 / 16 W 1608 5.00% D	
		R519	79093045	0RH4701C622	RESISTOR,METAL GLAZED(CHIP)	4.7K OHM 1 / 16 W 1608 5.00% D	
		R520	79096361	0RH3901C622	RESISTOR,METAL GLAZED(CHIP)	3.9K OHM 1 / 16 W 1608 5.00% D	
		R520	79096216	0RH3901C622	RESISTOR,METAL GLAZED(CHIP)	3.9K OHM 1 / 16 W 1608 5.00% D	
		R521	79093045	0RH4701C622	RESISTOR,METAL GLAZED(CHIP)	4.7K OHM 1 / 16 W 1608 5.00% D	
		R522	79098767	0RH1001C622	RESISTOR,METAL GLAZED(CHIP)	1K OHM 1 / 16 W 1608 5.00% D	
		R523	79093029	0RH1002C622	RESISTOR,METAL GLAZED(CHIP)	10K OHM 1 / 16 W 1608 5.00% D	
		R524	79093023	0RH0222C622	RESISTOR,METAL GLAZED(CHIP)	22 OHM 1 / 16 W 1608 5.00% D	
		R525	79093047	0RH5601C622	RESISTOR,METAL GLAZED(CHIP)	5.6K OHM 1 / 16 W 1608 5.00% D	
		R526	79093047	0RH5601C622	RESISTOR,METAL GLAZED(CHIP)	5.6K OHM 1 / 16 W 1608 5.00% D	
		R527	79098767	0RH1001C622	RESISTOR,METAL GLAZED(CHIP)	1K OHM 1 / 16 W 1608 5.00% D	
		R528	79093045	0RH4701C622	RESISTOR,METAL GLAZED(CHIP)	4.7K OHM 1 / 16 W 1608 5.00% D	
		R529	79093029	0RH1002C622	RESISTOR,METAL GLAZED(CHIP)	10K OHM 1 / 16 W 1608 5.00% D	
		R530	79093045	0RH4701C622	RESISTOR,METAL GLAZED(CHIP)	4.7K OHM 1 / 16 W 1608 5.00% D	
		R531	79093029	0RH1002C622	RESISTOR,METAL GLAZED(CHIP)	10K OHM 1 / 16 W 1608 5.00% D	
		R535	79096217	0RH4703C622	RESISTOR,METAL GLAZED(CHIP)	470K OHM 1 / 16 W 1608 5.00% D	
		R536	79093020	0RH0000C622	RESISTOR,METAL GLAZED(CHIP)	0 OHM 1 / 16 W 1608 5.00% D	
		R537	79098767	0RH1001C622	RESISTOR,METAL GLAZED(CHIP)	1K OHM 1 / 16 W 1608 5.00% D	
		R538	79098767	0RH1001C622	RESISTOR,METAL GLAZED(CHIP)	1K OHM 1 / 16 W 1608 5.00% D	
		R539	79098767	0RH1001C622	RESISTOR,METAL GLAZED(CHIP)	1K OHM 1 / 16 W 1608 5.00% D	
		R542	79093039	0RH2201C622	RESISTOR,METAL GLAZED(CHIP)	2.2K OHM 1 / 16 W 1608 5.00% D	
		R543	79093027	0RH1000C622	RESISTOR,METAL GLAZED(CHIP)	100 OHM 1 / 16 W 1608 5.00% D	
		R544	79093045	0RH4701C622	RESISTOR,METAL GLAZED(CHIP)	4.7K OHM 1 / 16 W 1608 5.00% D	
		R545	79093020	0RH0000C622	RESISTOR,METAL GLAZED(CHIP)	0 OHM 1 / 16 W 1608 5.00% D	
		R546	79093047	0RH5601C622	RESISTOR,METAL GLAZED(CHIP)	5.6K OHM 1 / 16 W 1608 5.00% D	
		R547	79093032	0RH1202C622	RESISTOR,METAL GLAZED(CHIP)	12K OHM 1 / 16 W 1608 5.00% D	
		R548	79096030	0RH1003C622	RESISTOR,METAL GLAZED(CHIP)	100K OHM 1 / 16 W 1608 5.00% D	
		R550	79098771	0RH2200C622	RESISTOR,METAL GLAZED(CHIP)	220 OHM 1 / 16 W 1608 5.00% D	
		R553	79098771	0RH2200C622	RESISTOR,METAL GLAZED(CHIP)	220 OHM 1 / 16 W 1608 5.00% D	
		R555	79098771	0RH2200C622	RESISTOR,METAL GLAZED(CHIP)	220 OHM 1 / 16 W 1608 5.00% D	
		R556	79093040	0RH2202C622	RESISTOR,METAL GLAZED(CHIP)	22K OHM 1 / 16 W 1608 5.00% D	
		R557	79096557	0RH2702C622	RESISTOR,METAL GLAZED(CHIP)	27K OHM 1 / 16 W 1608 5.00% D	
		R558	79093040	0RH2202C622	RESISTOR,METAL GLAZED(CHIP)	22K OHM 1 / 16 W 1608 5.00% D	
		R559	79093045	0RH4701C622	RESISTOR,METAL GLAZED(CHIP)	4.7K OHM 1 / 16 W 1608 5.00% D	
		R560	79093045	0RH4701C622	RESISTOR,METAL GLAZED(CHIP)	4.7K OHM 1 / 16 W 1608 5.00% D	
		R561	79093046	0RH5600C622	RESISTOR,METAL GLAZED(CHIP)	560 OHM 1 / 16 W 1608 5.00% D	
		R562	79093046	0RH5600C622	RESISTOR,METAL GLAZED(CHIP)	560 OHM 1 / 16 W 1608 5.00% D	
		R563	79093047	0RH5601C622	RESISTOR,METAL GLAZED(CHIP)	5.6K OHM 1 / 16 W 1608 5.00% D	
		R564	79096557	0RH2702C622	RESISTOR,METAL GLAZED(CHIP)	27K OHM 1 / 16 W 1608 5.00% D	
		R566	79093045	0RH4701C622	RESISTOR,METAL GLAZED(CHIP)	4.7K OHM 1 / 16 W 1608 5.00% D	
		R567	79093029	0RH1002C622	RESISTOR,METAL GLAZED(CHIP)	10K OHM 1 / 16 W 1608 5.00% D	
		R568	AF000320	0RH6802C622	RESISTOR,METAL GLAZED(CHIP)	68K OHM 1 / 16 W 1608 5.00% D	
		R569	79093030	0RH1004C622	RESISTOR,METAL GLAZED(CHIP)	1M OHM 1 / 16 W 1608 5.00% D	
		R570	79093045	0RH4701C622	RESISTOR,METAL GLAZED(CHIP)	4.7K OHM 1 / 16 W 1608 5.00% D	
		R575	79093045	0RH4701C622	RESISTOR,METAL GLAZED(CHIP)	4.7K OHM 1 / 16 W 1608 5.00% D	
		R576	79093045	0RH4701C622	RESISTOR,METAL GLAZED(CHIP)	4.7K OHM 1 / 16 W 1608 5.00% D	
		R577	79093045	0RH4701C622	RESISTOR,METAL GLAZED(CHIP)	4.7K OHM 1 / 16 W 1608 5.00% D	

TOSHIBA MODEL : SD-34VESE

NSP : Not available as service parts.
 RUN DATE : 28-JUNE-04

S	AL	LOCA. NO.	TOSHIBA P/NO	LG PART NO.	DESCRIPTION	SPECIFICATION	REMARKS
		R578	79093045	0RH4701C622	RESISTOR,METAL GLAZED(CHIP)	4.7K OHM 1 / 16 W 1608 5.00% D	
		R579	79098774	0RH5602C622	RESISTOR,METAL GLAZED(CHIP)	56K OHM 1 / 16 W 1608 5.00% D	
		R582	79093027	0RH1000C622	RESISTOR,METAL GLAZED(CHIP)	100 OHM 1 / 16 W 1608 5.00% D	
		R583	79093029	0RH1002C622	RESISTOR,METAL GLAZED(CHIP)	10K OHM 1 / 16 W 1608 5.00% D	
		R589	79093030	0RH1004C622	RESISTOR,METAL GLAZED(CHIP)	1M OHM 1 / 16 W 1608 5.00% D	
		R591	79096030	0RH1003C622	RESISTOR,METAL GLAZED(CHIP)	100K OHM 1 / 16 W 1608 5.00% D	
		R5A2	79093029	0RH1002C622	RESISTOR,METAL GLAZED(CHIP)	10K OHM 1 / 16 W 1608 5.00% D	
		R5A3	79093029	0RH1002C622	RESISTOR,METAL GLAZED(CHIP)	10K OHM 1 / 16 W 1608 5.00% D	
		R5A5	79096217	0RH4703C622	RESISTOR,METAL GLAZED(CHIP)	470K OHM 1 / 16 W 1608 5.00% D	
		R5B3	79098767	0RH1001C622	RESISTOR,METAL GLAZED(CHIP)	1K OHM 1 / 16 W 1608 5.00% D	
		R5B4	79098767	0RH1001C622	RESISTOR,METAL GLAZED(CHIP)	1K OHM 1 / 16 W 1608 5.00% D	
		R5B5	79093027	0RH1000C622	RESISTOR,METAL GLAZED(CHIP)	100 OHM 1 / 16 W 1608 5.00% D	
		R5C1	79098767	0RH1001C622	RESISTOR,METAL GLAZED(CHIP)	1K OHM 1 / 16 W 1608 5.00% D	
		R5C5	79098767	0RH1001C622	RESISTOR,METAL GLAZED(CHIP)	1K OHM 1 / 16 W 1608 5.00% D	
		R5C6	79098767	0RH1001C622	RESISTOR,METAL GLAZED(CHIP)	1K OHM 1 / 16 W 1608 5.00% D	
		R5C7	79098767	0RH1001C622	RESISTOR,METAL GLAZED(CHIP)	1K OHM 1 / 16 W 1608 5.00% D	
		R5C9	79093029	0RH1002C622	RESISTOR,METAL GLAZED(CHIP)	10K OHM 1 / 16 W 1608 5.00% D	
		R5G1	79093020	0RH0000C622	RESISTOR,METAL GLAZED(CHIP)	0 OHM 1 / 16 W 1608 5.00% D	
		R5G2	79093020	0RH0000C622	RESISTOR,METAL GLAZED(CHIP)	0 OHM 1 / 16 W 1608 5.00% D	
		R5K6	79093027	0RH1000C622	RESISTOR,METAL GLAZED(CHIP)	100 OHM 1 / 16 W 1608 5.00% D	
		R5K7	79093027	0RH1000C622	RESISTOR,METAL GLAZED(CHIP)	100 OHM 1 / 16 W 1608 5.00% D	
		R5K8	79093027	0RH1000C622	RESISTOR,METAL GLAZED(CHIP)	100 OHM 1 / 16 W 1608 5.00% D	
		R5P2	79093029	0RH1002C622	RESISTOR,METAL GLAZED(CHIP)	10K OHM 1 / 16 W 1608 5.00% D	
		R5P3	79093029	0RH1002C622	RESISTOR,METAL GLAZED(CHIP)	10K OHM 1 / 16 W 1608 5.00% D	
		R5R8	79098767	0RH1001C622	RESISTOR,METAL GLAZED(CHIP)	1K OHM 1 / 16 W 1608 5.00% D	
		R5S1	79093047	0RH5601C622	RESISTOR,METAL GLAZED(CHIP)	5.6K OHM 1 / 16 W 1608 5.00% D	
		R5S2	79093041	0RH3300C622	RESISTOR,METAL GLAZED(CHIP)	330 OHM 1 / 16 W 1608 5.00% D	
		R604	79093040	0RH2202C622	RESISTOR,METAL GLAZED(CHIP)	22K OHM 1 / 16 W 1608 5.00% D	
		R605	79093040	0RH2202C622	RESISTOR,METAL GLAZED(CHIP)	22K OHM 1 / 16 W 1608 5.00% D	
		R606	79093050	0RH6801C622	RESISTOR,METAL GLAZED(CHIP)	6.8K OHM 1 / 16 W 1608 5.00% D	
		R607	79093040	0RH2202C622	RESISTOR,METAL GLAZED(CHIP)	22K OHM 1 / 16 W 1608 5.00% D	
		R608	79093050	0RH6801C622	RESISTOR,METAL GLAZED(CHIP)	6.8K OHM 1 / 16 W 1608 5.00% D	
		R609	79093029	0RH1002C622	RESISTOR,METAL GLAZED(CHIP)	10K OHM 1 / 16 W 1608 5.00% D	
		R610	AF000119	0RH0332C622	RESISTOR,METAL GLAZED(CHIP)	33 OHM 1 / 16 W 1608 5.00% D	
		R610	79096209	0RH0332C622	RESISTOR,METAL GLAZED(CHIP)	33 OHM 1 / 16 W 1608 5.00% D	
		R611	79098767	0RH1001C622	RESISTOR,METAL GLAZED(CHIP)	1K OHM 1 / 16 W 1608 5.00% D	
		R612	AF000119	0RH0332C622	RESISTOR,METAL GLAZED(CHIP)	33 OHM 1 / 16 W 1608 5.00% D	
		R612	79096209	0RH0332C622	RESISTOR,METAL GLAZED(CHIP)	33 OHM 1 / 16 W 1608 5.00% D	
		R613	AF000119	0RH0332C622	RESISTOR,METAL GLAZED(CHIP)	33 OHM 1 / 16 W 1608 5.00% D	
		R613	79096209	0RH0332C622	RESISTOR,METAL GLAZED(CHIP)	33 OHM 1 / 16 W 1608 5.00% D	
		R614	AF000119	0RH0332C622	RESISTOR,METAL GLAZED(CHIP)	33 OHM 1 / 16 W 1608 5.00% D	
		R614	79096209	0RH0332C622	RESISTOR,METAL GLAZED(CHIP)	33 OHM 1 / 16 W 1608 5.00% D	
		R615	AF000119	0RH0332C622	RESISTOR,METAL GLAZED(CHIP)	33 OHM 1 / 16 W 1608 5.00% D	
		R615	79096209	0RH0332C622	RESISTOR,METAL GLAZED(CHIP)	33 OHM 1 / 16 W 1608 5.00% D	
		R616	AF000119	0RH0332C622	RESISTOR,METAL GLAZED(CHIP)	33 OHM 1 / 16 W 1608 5.00% D	
		R616	79096209	0RH0332C622	RESISTOR,METAL GLAZED(CHIP)	33 OHM 1 / 16 W 1608 5.00% D	
		R617	AF000119	0RH0332C622	RESISTOR,METAL GLAZED(CHIP)	33 OHM 1 / 16 W 1608 5.00% D	
		R617	79096209	0RH0332C622	RESISTOR,METAL GLAZED(CHIP)	33 OHM 1 / 16 W 1608 5.00% D	
		R620	AF000119	0RH0332C622	RESISTOR,METAL GLAZED(CHIP)	33 OHM 1 / 16 W 1608 5.00% D	
		R620	79096209	0RH0332C622	RESISTOR,METAL GLAZED(CHIP)	33 OHM 1 / 16 W 1608 5.00% D	
		R621	AF000119	0RH0332C622	RESISTOR,METAL GLAZED(CHIP)	33 OHM 1 / 16 W 1608 5.00% D	
		R621	79096209	0RH0332C622	RESISTOR,METAL GLAZED(CHIP)	33 OHM 1 / 16 W 1608 5.00% D	
		R623	79093020	0RH0000C622	RESISTOR,METAL GLAZED(CHIP)	0 OHM 1 / 16 W 1608 5.00% D	
		R624	79093020	0RH0000C622	RESISTOR,METAL GLAZED(CHIP)	0 OHM 1 / 16 W 1608 5.00% D	
		R625	AF000714	0RH0681C622	RESISTOR,METAL GLAZED(CHIP)	6.8 OHM 1 / 16 W 1608 5.00% D	
		R626	79096030	0RH1003C622	RESISTOR,METAL GLAZED(CHIP)	100K OHM 1 / 16 W 1608 5.00% D	
		R627	79093035	0RH1502C622	RESISTOR,METAL GLAZED(CHIP)	15K OHM 1 / 16 W 1608 5.00% D	
		R628	79093029	0RH1002C622	RESISTOR,METAL GLAZED(CHIP)	10K OHM 1 / 16 W 1608 5.00% D	
		R629	79093020	0RH0000C622	RESISTOR,METAL GLAZED(CHIP)	0 OHM 1 / 16 W 1608 5.00% D	
		R630	79093020	0RH0000C622	RESISTOR,METAL GLAZED(CHIP)	0 OHM 1 / 16 W 1608 5.00% D	
		R631	79098767	0RH1001C622	RESISTOR,METAL GLAZED(CHIP)	1K OHM 1 / 16 W 1608 5.00% D	
		R632	79098767	0RH1001C622	RESISTOR,METAL GLAZED(CHIP)	1K OHM 1 / 16 W 1608 5.00% D	
		R649	79093020	0RH0000C622	RESISTOR,METAL GLAZED(CHIP)	0 OHM 1 / 16 W 1608 5.00% D	
		R656	79093031	0RH1201C622	RESISTOR,METAL GLAZED(CHIP)	1.2K OHM 1 / 16 W 1608 5.00% D	
		R657	79093031	0RH1201C622	RESISTOR,METAL GLAZED(CHIP)	1.2K OHM 1 / 16 W 1608 5.00% D	
		R658	79093031	0RH1201C622	RESISTOR,METAL GLAZED(CHIP)	1.2K OHM 1 / 16 W 1608 5.00% D	
		R659	79093031	0RH1201C622	RESISTOR,METAL GLAZED(CHIP)	1.2K OHM 1 / 16 W 1608 5.00% D	
		R666	79096030	0RH1003C622	RESISTOR,METAL GLAZED(CHIP)	100K OHM 1 / 16 W 1608 5.00% D	
		R671	79096547	0RJ7503C677	RESISTOR,METAL GLAZED(CHIP)	750K OHM 1/16 W 5% 1608 R/TP	
		R683	79093045	0RH4701C622	RESISTOR,METAL GLAZED(CHIP)	4.7K OHM 1 / 16 W 1608 5.00% D	
		R684	79093045	0RH4701C622	RESISTOR,METAL GLAZED(CHIP)	4.7K OHM 1 / 16 W 1608 5.00% D	
		R685	79093045	0RH4701C622	RESISTOR,METAL GLAZED(CHIP)	4.7K OHM 1 / 16 W 1608 5.00% D	
		R6D1	79093029	0RH1002C622	RESISTOR,METAL GLAZED(CHIP)	10K OHM 1 / 16 W 1608 5.00% D	
		R6D2	79093029	0RH1002C622	RESISTOR,METAL GLAZED(CHIP)	10K OHM 1 / 16 W 1608 5.00% D	
		R6H4	79093038	0RH2001C622	RESISTOR,METAL GLAZED(CHIP)	2K OHM 1 / 16 W 1608 5.00% D	

TOSHIBA MODEL : SD-34VESE

NSP : Not available as service parts.
 RUN DATE : 28-JUNE-04

S	AL	LOCA. NO.	TOSHIBA P/NO	LG PART NO.	DESCRIPTION	SPECIFICATION	REMARKS
		R6H8	79093020	0RH0000C622	RESISTOR,METAL GLAZED(CHIP)	0 OHM 1 / 16 W 1608 5.00% D	
		R705	79098771	0RH2200C622	RESISTOR,METAL GLAZED(CHIP)	220 OHM 1 / 16 W 1608 5.00% D	
		R706	79098771	0RH2200C622	RESISTOR,METAL GLAZED(CHIP)	220 OHM 1 / 16 W 1608 5.00% D	
		R707	79098767	0RH1001C622	RESISTOR,METAL GLAZED(CHIP)	1K OHM 1 / 16 W 1608 5.00% D	
		R710	79093042	0RH3301C622	RESISTOR,METAL GLAZED(CHIP)	3.3K OHM 1 / 16 W 1608 5.00% D	
		R711	79093042	0RH3301C622	RESISTOR,METAL GLAZED(CHIP)	3.3K OHM 1 / 16 W 1608 5.00% D	
		R712	79093045	0RH4701C622	RESISTOR,METAL GLAZED(CHIP)	4.7K OHM 1 / 16 W 1608 5.00% D	
		R713	79093047	0RH5601C622	RESISTOR,METAL GLAZED(CHIP)	5.6K OHM 1 / 16 W 1608 5.00% D	
		R715	79093039	0RH2201C622	RESISTOR,METAL GLAZED(CHIP)	2.2K OHM 1 / 16 W 1608 5.00% D	
		R716	79098767	0RH1001C622	RESISTOR,METAL GLAZED(CHIP)	1K OHM 1 / 16 W 1608 5.00% D	
		R717	79093027	0RH1000C622	RESISTOR,METAL GLAZED(CHIP)	100 OHM 1 / 16 W 1608 5.00% D	
		R718	79093027	0RH1000C622	RESISTOR,METAL GLAZED(CHIP)	100 OHM 1 / 16 W 1608 5.00% D	
		R7S1	79093040	0RH2202C622	RESISTOR,METAL GLAZED(CHIP)	22K OHM 1 / 16 W 1608 5.00% D	
		R7V1	79093030	0RH1004C622	RESISTOR,METAL GLAZED(CHIP)	1M OHM 1 / 16 W 1608 5.00% D	
		R7V2	79096030	0RH1003C622	RESISTOR,METAL GLAZED(CHIP)	100K OHM 1 / 16 W 1608 5.00% D	
		R7V3	79093050	0RH6801C622	RESISTOR,METAL GLAZED(CHIP)	6.8K OHM 1 / 16 W 1608 5.00% D	
		R7V4	AF000319	0RH5603C622	RESISTOR,METAL GLAZED(CHIP)	560K OHM 1 / 16 W 1608 5.00% D	
		R7V5	79093050	0RH6801C622	RESISTOR,METAL GLAZED(CHIP)	6.8K OHM 1 / 16 W 1608 5.00% D	
		R7V6	AF000319	0RH5603C622	RESISTOR,METAL GLAZED(CHIP)	560K OHM 1 / 16 W 1608 5.00% D	
		R7V7	79093045	0RH4701C622	RESISTOR,METAL GLAZED(CHIP)	4.7K OHM 1 / 16 W 1608 5.00% D	
		R7V8	79093027	0RH1000C622	RESISTOR,METAL GLAZED(CHIP)	100 OHM 1 / 16 W 1608 5.00% D	
		R7V9	79093027	0RH1000C622	RESISTOR,METAL GLAZED(CHIP)	100 OHM 1 / 16 W 1608 5.00% D	
		R801	AF000318	0RH3304C622	RESISTOR,METAL GLAZED(CHIP)	3.3M OHM 1 / 16 W 1608 5.00% D	
		R802	79096215	0RH3302C622	RESISTOR,METAL GLAZED(CHIP)	33K OHM 1 / 16 W 1608 5.00% D	
		R803	AF000315	0RH2701C622	RESISTOR,METAL GLAZED(CHIP)	2.7K OHM 1 / 16 W 1608 5.00% D	
		R804	79093043	0RH3902C622	RESISTOR,METAL GLAZED(CHIP)	39K OHM 1 / 16 W 1608 5.00% D	
		R805	AF000315	0RH2701C622	RESISTOR,METAL GLAZED(CHIP)	2.7K OHM 1 / 16 W 1608 5.00% D	
		R806	79096215	0RH3302C622	RESISTOR,METAL GLAZED(CHIP)	33K OHM 1 / 16 W 1608 5.00% D	
		R807	79093044	0RH4700C622	RESISTOR,METAL GLAZED(CHIP)	470 OHM 1 / 16 W 1608 5.00% D	
		R808	79093029	0RH1002C622	RESISTOR,METAL GLAZED(CHIP)	10K OHM 1 / 16 W 1608 5.00% D	
		R809	79093037	0RH1802C622	RESISTOR,METAL GLAZED(CHIP)	18K OHM 1 / 16 W 1608 5.00% D	
		R810	79093027	0RH1000C622	RESISTOR,METAL GLAZED(CHIP)	100 OHM 1 / 16 W 1608 5.00% D	
		R811	79093027	0RH1000C622	RESISTOR,METAL GLAZED(CHIP)	100 OHM 1 / 16 W 1608 5.00% D	
		R812	79098767	0RH1001C622	RESISTOR,METAL GLAZED(CHIP)	1K OHM 1 / 16 W 1608 5.00% D	
		R821	79093039	0RH2201C622	RESISTOR,METAL GLAZED(CHIP)	2.2K OHM 1 / 16 W 1608 5.00% D	
		R822	79096030	0RH1003C622	RESISTOR,METAL GLAZED(CHIP)	100K OHM 1 / 16 W 1608 5.00% D	
		R823	79093039	0RH2201C622	RESISTOR,METAL GLAZED(CHIP)	2.2K OHM 1 / 16 W 1608 5.00% D	
		R824	79096030	0RH1003C622	RESISTOR,METAL GLAZED(CHIP)	100K OHM 1 / 16 W 1608 5.00% D	
		R825	79093039	0RH2201C622	RESISTOR,METAL GLAZED(CHIP)	2.2K OHM 1 / 16 W 1608 5.00% D	
		R826	79093039	0RH2201C622	RESISTOR,METAL GLAZED(CHIP)	2.2K OHM 1 / 16 W 1608 5.00% D	
		R850	79093027	0RH1000C622	RESISTOR,METAL GLAZED(CHIP)	100 OHM 1 / 16 W 1608 5.00% D	
		R851	79093027	0RH1000C622	RESISTOR,METAL GLAZED(CHIP)	100 OHM 1 / 16 W 1608 5.00% D	
		R863	79093045	0RH4701C622	RESISTOR,METAL GLAZED(CHIP)	4.7K OHM 1 / 16 W 1608 5.00% D	
		R864	79093045	0RH4701C622	RESISTOR,METAL GLAZED(CHIP)	4.7K OHM 1 / 16 W 1608 5.00% D	
		R866	79093020	0RH0000C622	RESISTOR,METAL GLAZED(CHIP)	0 OHM 1 / 16 W 1608 5.00% D	
		R867	79093020	0RH0000C622	RESISTOR,METAL GLAZED(CHIP)	0 OHM 1 / 16 W 1608 5.00% D	
		R868	79093020	0RH0000C622	RESISTOR,METAL GLAZED(CHIP)	0 OHM 1 / 16 W 1608 5.00% D	
		R874	79093025	0RH0752C622	RESISTOR,METAL GLAZED(CHIP)	75 OHM 1 / 16 W 1608 5.00% D	
		R875	79093045	0RH4701C622	RESISTOR,METAL GLAZED(CHIP)	4.7K OHM 1 / 16 W 1608 5.00% D	
		R876	79093045	0RH4701C622	RESISTOR,METAL GLAZED(CHIP)	4.7K OHM 1 / 16 W 1608 5.00% D	
		R881	79093045	0RH4701C622	RESISTOR,METAL GLAZED(CHIP)	4.7K OHM 1 / 16 W 1608 5.00% D	
		R882	79093045	0RH4701C622	RESISTOR,METAL GLAZED(CHIP)	4.7K OHM 1 / 16 W 1608 5.00% D	
		R891	79093045	0RH4701C622	RESISTOR,METAL GLAZED(CHIP)	4.7K OHM 1 / 16 W 1608 5.00% D	
		R892	79093045	0RH4701C622	RESISTOR,METAL GLAZED(CHIP)	4.7K OHM 1 / 16 W 1608 5.00% D	
		R901	79093032	0RH1202C622	RESISTOR,METAL GLAZED(CHIP)	12K OHM 1 / 16 W 1608 5.00% D	
		R902	79093029	0RH1002C622	RESISTOR,METAL GLAZED(CHIP)	10K OHM 1 / 16 W 1608 5.00% D	
		R903	79093025	0RH0752C622	RESISTOR,METAL GLAZED(CHIP)	75 OHM 1 / 16 W 1608 5.00% D	
		R904	79093046	0RH5600C622	RESISTOR,METAL GLAZED(CHIP)	560 OHM 1 / 16 W 1608 5.00% D	
		R905	79093046	0RH5600C622	RESISTOR,METAL GLAZED(CHIP)	560 OHM 1 / 16 W 1608 5.00% D	
		R906	79093046	0RH5600C622	RESISTOR,METAL GLAZED(CHIP)	560 OHM 1 / 16 W 1608 5.00% D	
		R907	79093046	0RH5600C622	RESISTOR,METAL GLAZED(CHIP)	560 OHM 1 / 16 W 1608 5.00% D	
		R908	79093025	0RH0752C622	RESISTOR,METAL GLAZED(CHIP)	75 OHM 1 / 16 W 1608 5.00% D	
		R909	79093025	0RH0752C622	RESISTOR,METAL GLAZED(CHIP)	75 OHM 1 / 16 W 1608 5.00% D	
		R910	79093025	0RH0752C622	RESISTOR,METAL GLAZED(CHIP)	75 OHM 1 / 16 W 1608 5.00% D	
		R913	79093025	0RH0752C622	RESISTOR,METAL GLAZED(CHIP)	75 OHM 1 / 16 W 1608 5.00% D	
		R914	79093025	0RH0752C622	RESISTOR,METAL GLAZED(CHIP)	75 OHM 1 / 16 W 1608 5.00% D	
		R919	79098768	0RH1100C622	RESISTOR,METAL GLAZED(CHIP)	110 OHM 1 / 16 W 1608 5.00% D	
		R920	79093025	0RH0752C622	RESISTOR,METAL GLAZED(CHIP)	75 OHM 1 / 16 W 1608 5.00% D	
		R921	79098768	0RH1100C622	RESISTOR,METAL GLAZED(CHIP)	110 OHM 1 / 16 W 1608 5.00% D	
		R922	79093023	0RH0222C622	RESISTOR,METAL GLAZED(CHIP)	22 OHM 1 / 16 W 1608 5.00% D	
		R923	79093020	0RH0000C622	RESISTOR,METAL GLAZED(CHIP)	0 OHM 1 / 16 W 1608 5.00% D	
		R924	79093020	0RH0000C622	RESISTOR,METAL GLAZED(CHIP)	0 OHM 1 / 16 W 1608 5.00% D	
		R925	79093020	0RH0000C622	RESISTOR,METAL GLAZED(CHIP)	0 OHM 1 / 16 W 1608 5.00% D	
		R927	79098767	0RH1001C622	RESISTOR,METAL GLAZED(CHIP)	1K OHM 1 / 16 W 1608 5.00% D	
		R930	79098767	0RH1001C622	RESISTOR,METAL GLAZED(CHIP)	1K OHM 1 / 16 W 1608 5.00% D	

TOSHIBA MODEL : SD-34VESE

NSP : Not available as service parts.
 RUN DATE : 28-JUNE-04

S	AL	LOCA. NO.	TOSHIBA P/NO	LG PART NO.	DESCRIPTION	SPECIFICATION	REMARKS
		R933	79093025	0RH0752C622	RESISTOR,METAL GLAZED(CHIP)	75 OHM 1 / 16 W 1608 5.00% D	
		R934	79093025	0RH0752C622	RESISTOR,METAL GLAZED(CHIP)	75 OHM 1 / 16 W 1608 5.00% D	
		R935	79098767	0RH1001C622	RESISTOR,METAL GLAZED(CHIP)	1K OHM 1 / 16 W 1608 5.00% D	
		R937	79093023	0RH0222C622	RESISTOR,METAL GLAZED(CHIP)	22 OHM 1 / 16 W 1608 5.00% D	
		R938	79093023	0RH0222C622	RESISTOR,METAL GLAZED(CHIP)	22 OHM 1 / 16 W 1608 5.00% D	
		R939	79093025	0RH0752C622	RESISTOR,METAL GLAZED(CHIP)	75 OHM 1 / 16 W 1608 5.00% D	
		R940	79093025	0RH0752C622	RESISTOR,METAL GLAZED(CHIP)	75 OHM 1 / 16 W 1608 5.00% D	
		R941	79093025	0RH0752C622	RESISTOR,METAL GLAZED(CHIP)	75 OHM 1 / 16 W 1608 5.00% D	
		R942	79093025	0RH0752C622	RESISTOR,METAL GLAZED(CHIP)	75 OHM 1 / 16 W 1608 5.00% D	
		R943	79093025	0RH0752C622	RESISTOR,METAL GLAZED(CHIP)	75 OHM 1 / 16 W 1608 5.00% D	
		R944	79093025	0RH0752C622	RESISTOR,METAL GLAZED(CHIP)	75 OHM 1 / 16 W 1608 5.00% D	
		R945	AF000312	0RH1800C622	RESISTOR,METAL GLAZED(CHIP)	180 OHM 1 / 16 W 1608 5.00% D	
		R962	79093033	0RH1500C422	RESISTOR,METAL GLAZED(CHIP)	150 OHM 1 / 16 W 1608 1.00% D	
		R970	79093033	0RH1500C422	RESISTOR,METAL GLAZED(CHIP)	150 OHM 1 / 16 W 1608 1.00% D	
		R972	79093033	0RH1500C422	RESISTOR,METAL GLAZED(CHIP)	150 OHM 1 / 16 W 1608 1.00% D	
		R974	79093033	0RH1500C422	RESISTOR,METAL GLAZED(CHIP)	150 OHM 1 / 16 W 1608 1.00% D	
		R975	79093033	0RH1500C422	RESISTOR,METAL GLAZED(CHIP)	150 OHM 1 / 16 W 1608 1.00% D	
		R979	79093020	0RH0000C622	RESISTOR,METAL GLAZED(CHIP)	0 OHM 1 / 16 W 1608 5.00% D	
		R981	79093020	0RH0000C622	RESISTOR,METAL GLAZED(CHIP)	0 OHM 1 / 16 W 1608 5.00% D	
		RS501	AF000446	6500RAB008A	SENSOR	KIT-3001A REEL SENSOR KODENSHI	
		RS502	AF000446	6500RAB008A	SENSOR	KIT-3001A REEL SENSOR KODENSHI	
		SC901	AF000457	6612M00006A	JACK,SCART	DSAM-0341 DOOWON	
		TU701	AF000462	6700PFPL07A	TUNER	TADM-S101D(SECAM,LGIT) LG INOT	
		TU701	AF000460	6700PFFG05A	TUNER	TCPL0601PD20C(SECAM,SS) SS PAL	
		X301	AF000438	6212AA2443Z	RESONATOR,CRYSTAL	HC-49S CSC/KITELCO 4.433619MHZ	
		X501	AF000080	6212AA2100C	RESONATOR,CRYSTAL	HC-49S BUBANG 10MHZ +/- 30 PPM	
		X501	AF000081	6212AA2100C	RESONATOR,CRYSTAL	HC-49S BUBANG 10MHZ +/- 30 PPM	
		X501	AF000079	6202R31001F	RESONATOR,CRYSTAL	HC-49S KEUMSEOK 10-0000MHZ 30P	
		X502	79096501	6202R-DA01B	RESONATOR,CRYSTAL	CFS-308 CITIZEN 32.768KHZ +/-	
		X502	AF000082	6212AC2327E	RESONATOR,CRYSTAL	C-001R SEIKO EPSON 32.768 KHZ	
		X601	79097346	6202R-BL06C	RESONATOR,CRYSTAL	HC-49/S BUBANG 27MHZ 20PPM 15	
		X751	79096507	529-021Q	RESONATOR,CRYSTAL	49U BUBANG 18432000HZ 30PPM 16	
		X751	AF000137	6212AA2184F	RESONATOR,CRYSTAL	HC-49U KYUNGIL 18.432MHZ +/- 3	
		ZD103	AF000292	0DZ132609BB	DIODE,ZENER	UZ-13BSA 26MM TP PYUNG CHANG	
		ZD507	79096017	0DZ562609BB	DIODE,ZENER	UZ-5.6BSB 26MM TP PYUNG CHANG	
		ZD508	79096017	0DZ562609BB	DIODE,ZENER	UZ-5.6BSB 26MM TP PYUNG CHANG	
		ZD601	79096317	0DZ562609AB	DIODE,ZENER	UZ-5.6BSC 26MM TP PYUNG CHANG	
		ZD602	79096317	0DZ562609AB	DIODE,ZENER	UZ-5.6BSC 26MM TP PYUNG CHANG	
		ZD603	79096317	0DZ562609AB	DIODE,ZENER	UZ-5.6BSC 26MM TP PYUNG CHANG	
		ZD801	AF000109	0DZKE00018A	DIODE,ZENERS	Z02W7.5V KEC R/TP SOT23 250MW	
		ZD802	AF000109	0DZKE00018A	DIODE,ZENERS	Z02W7.5V KEC R/TP SOT23 250MW	
*** DECK ASSEMBLY , VIDEO(VCR) ***							
		A00	AF000683	6721RF0954B	DECK ASSEMBLY,VIDEO	DECK/MECHA D37(M) DI (4HF,PAL,	NSP
		A01	AF000684	6723R-0603F	DRUM(CIRC) ASSEMBLY	DECK/MECHA (9P6S) D37-6CH PAL	
		A03	AF000380	4261R-0039A	ARM ASSEMBLY	DECK/MECHA CLEANER - D37	
		A11	AF000401	4471R-0017A	GEAR ASSEMBLY	DECK/MECHA P3 - D37	
		A12	AF000399	4471R-0015A	GEAR ASSEMBLY	DECK/MECHA P2 - D37	
		A21	AF000419	4931R-0084A	HOLDER ASSEMBLY	DECK/MECHA CST - D37	
		A22	AF000400	4471R-0016A	GEAR ASSEMBLY	DECK/MECHA RACK F/L - D37	
		A23	AF000379	4261R-0038A	ARM ASSEMBLY	DECK/MECHA F/L - D37	
		A24	AF000408	4511R-0005A	LEVER ASSEMBLY	SWITCH(C) - D37	
		003	AF000414	4930R-0449A	HOLDER	DECK/MECHA FPCB(6CH) - D37C MO	
		004	AF000429	5006R-0045A	CAP	DECK/MECHA FPCB - D37C MOLD	
		006	AF000056	4580R-0004A	ROLLER	CLEANER	NSP
		007	AF000376	4260R-0053A	ARM	DECK/MECHA CLEANER MOLD - D37	NSP
		008	AF000473	6850R-HG18Y	CABLE,FLAT	P=1.25 FFC UL2896(0.05X0.8) 7	
		009	AF000377	4260R-0056A	ARM	DECK/MECHA T/UP OTHER - D37	
		011	AF000381	4261R-0040A	ARM ASSEMBLY	DECK/MECHA TENSION - D37	
		012	AF000337	3041R-M037A	BASE ASSEMBLY	P2 -D37	
		012	AF000721	3041R-M037B	BASE ASSEMBLY	P2 - D37	
		013	AF000338	3041R-M038A	BASE ASSEMBLY	P3 - D37	
		013	AF000722	3041R-M038B	BASE ASSEMBLY	P3 - D37	
		014	AF000339	3041R-M039A	BASE ASSEMBLY	P4 - D37	
		015	AF000431	5870R-0007A	OPENER	DECK/MECHA LID OTHER - D37	
		016	AF000335	3041R-M036A	BASE ASSEMBLY	A/C HEAD (ALPS) - D37	
		016	AF000336	3041R-M036B	BASE ASSEMBLY	A/C HEAD (TDK) - D37	
		017	AF000388	4408R-0005A	REEL	DECK/MECHA S OTHER - D37	
		021	AF000391	4421R-M002A	BRAKE ASSEMBLY	T - D37	
		022	AF000447	6520D00004B	HEAD(CIRC)	ST ST FE HEAD FOR D37 13.5	
		023	AF000331	3040R-M056A	BASE	LOADING OTHER - D37	
		024	AF000382	4261R-0041A	ARM ASSEMBLY	DECK/MECHA IDLER(H)	
		026	AF000412	4681RF0039A	MOTOR ASSEMBLY	DECK/MECHA L/D - (DI) D37	
		027	AF000392	4470R-0133A	GEAR	DECK/MECHA WHEEL OTHER - D37	
		028	AF000389	4408R-0006A	REEL	DECK/MECHA T OTHER - D37	
		029	AF000378	4261R-0037A	ARM ASSEMBLY	DECK/MECHA PINCH - D37 (CHON P	

TOSHIBA MODEL : SD-34VESE

NSP : Not available as service parts.
 RUN DATE : 28-JUNE-04

S	AL	LOCA. NO.	TOSHIBA P/NO	LG PART NO.	DESCRIPTION	SPECIFICATION	REMARKS
		029	AF000671	4261R-0037B	ARM ASSEMBLY	DECK/MECHA PINCH - D37 (YAMAUC	
		029	AF000663	4261R-0037C	ARM ASSEMBLY	DECK/MECHA PINCH - D37 (MEIJI)	
		031	AF000427	4970R-0175A	SPRING	COIL TENSION - D37	
		032	AF000344	3141R-M002A	CHASSIS ASSEMBLY	D37	NSP
		051	79096414	4400R-0005A	BELT	CAPSTAN	
		052	AF000409	4680R-A015A	MOTOR(MECH)	CAPSTAN F2QVB66 SANKYO FOR D37	
		052	AF000411	4680R-A017A	MOTOR(MECH)	CAPSTAN DMVCMC20L SAMSUNG FOR	
		052	AF000410	4680R-A016A	MOTOR(MECH)	CAPSTAN MCVC-037AA LGIT FOR D3	
		052A	AF000428	4980R-0029A	SUPPORTER	DECK/MECHA CAPSTAN OTHER - D37	
		054	AF000395	4470R-0136A	GEAR	DECK/MECHA RACK F/L OTHER - D3	
		054A	AF000425	4970R-0171A	SPRING	COIL RACK F/L - D37	
		055	AF000397	4470R-0140A	GEAR	DECK/MECHA DRIVE OTHER - D37	
		056	AF000396	4470R-0139A	GEAR	DECK/MECHA CAM OTHER - D37	
		058	AF000390	4421R-M001A	BRAKE ASSEMBLY	CAPSTAN -D37	
		060	AF000406	4510R-0065A	LEVER	DECK/MECHA F/R OTHER - D37	
		061	AF000387	4265R-0008A	CLUTCH ASSEMBLY	DECK/MECHA D37(M)	
		064	AF000398	4470R-0141A	GEAR	DECK/MECHA SECTOR OTHER - D37	
		065	AF000385	4261R-0044A	ARM ASSEMBLY	DECK/MECHA P3 - D37	NSP
		066	AF000073	4970R-0122A	SPRING	COIL D35	NSP
		067	AF000394	4470R-0135A	GEAR	DECK/MECHA P3 OTHER - D37	NSP
		068	AF000393	4470R-0134A	GEAR	DECK/MECHA P2 OTHER - D37	NSP
		069	AF000073	4970R-0122A	SPRING	COIL D35	NSP
		070	AF000384	4261R-0043A	ARM ASSEMBLY	DECK/MECHA P2 - D37	NSP
		076	AF000404	4510R-0063A	LEVER	DECK/MECHA SPRING OTHER - D37	
		077	AF000350	3300R-M203A	PLATE	SLIDER OTHER - D37	
		078	AF000403	4510R-0062A	LEVER	DECK/MECHA TENSION OTHER - D37	
		079	AF000332	3040R-M057A	BASE	TENSION OTHER - D37	
		080	AF000405	4510R-0064A	LEVER	DECK/MECHA BRAKE OTHER - D37	
		100	AF000352	3301R-M193A	PLATE ASSEMBLY	TOP - D37	
		102	AF000426	4970R-0173A	SPRING	COIL STOPPER - D37	
		103	AF000417	4930R-0452A	HOLDER	DECK/MECHA SIDE (L) OTHER - D3	NSP
		105	AF000415	4930R-0450A	HOLDER	DECK/MECHA CST OTHER - D37	NSP
		106	AF000416	4930R-0451A	HOLDER	DECK/MECHA SIDE(R) OTHER - D37	NSP
		107	AF000402	4510R-0061A	LEVER	DECK/MECHA STOPPER OTHER - D37	NSP
		109	AF000432	5870R-0008A	OPENER	DECK/MECHA DOOR OTHER - D37	
		110	AF000374	4260R-0051A	ARM	DECK/MECHA F/L(L) OTHER - D37	NSP
		112	AF000021	3070R-0002A	BODY	F/L	NSP
		113	AF000424	4970R-0169A	SPRING	COIL F/L(R) - D37	NSP
		114	AF000375	4260R-0052A	ARM	DECK/MECHA F/L (R) OTHER - D37	NSP
		115	AF000407	4510R-0070A	LEVER	DECK/MECHA SWITCH(C) OTHER - D	
		116	AF000423	4970R-0163A	SPRING	COIL D35S SWITCH	
		405	AF000718	1MPC0301270	SCREW MACHINE,PAN HEAD	D3.0 L3.5 SWRCH18A/FZW	
		406	79096381	1MEC0302018	PAN HEAD MACHINE SCREW S/W +	D 3.0 L 6.0 MSWR3/FZY	
		409	79096384	1SZZR-0032B	SCREW,DRAWING	+ 1 D2.6 L5.0 SWRCH18A/FZY TAP	
		410	79096379	1APF0262218	SCREW TAP TITE(B),PAN HEAD	D2.6 L6.8 MSWR3/FZY	
		517	79096386	1WZZR-0004D	WASHER,DRAWING	STOPPER	
		518	79096385	1WZZR-0004A	WASHER,DRAWING	STOPPER	
*** DECK ASSEMBLY , MD (DVD) ***							
		A26	AF000781	6721RF0384E	DECK ASSEMBLY,VIDEO	DVD DP-7C 1 BOARD (DI) MTK1389	NSP
		A01	79096511	4861R-0016C	CLAMP ASSEMBLY	DECK/MECHA DISC DP-7 (DI)	
		A02	AF000720	3041R-D014B	BASE ASSEMBLY	MAIN(DP-7C 1 BOARD SLIM MTK 13	
		A03	AF000723	3041R-M049A	BASE ASSEMBLY	SLED DP-7C 1BOARD	
		001	79097006	3300R-0547A	PLATE	CLAMP	NSP
		002	79097007	5016H-1016B	MAGNET	CLAMP(LDM-R608,10*5,1*1.5T)	NSP
		003	AF000069	4860R-0021A	CLAMP	UPPER DP7	NSP
		004	79097553	4930R-0171A	HOLDER	CLAMP	
		010	79097364	6850R-GK12A	CABLE,FLAT	P=1.0 FFC UL2896(0.05X0.65) 11	
		011	79096531	3210R-M002A	FRAME	UP/DOWN MOLD DP7C	
		011A	AF000474	6850R-JW20Z	CABLE,FLAT	P=1.0 FFC UL2896(0.035X0.7) 23	
		012	79096652	5040R-0075B	RUBBER	DAMPER DP7 (CHUNG PUNG 30)	
		012	AF000076	5040R-0075D	RUBBER	DAMPER DP7 (YAMAUCHI 30)	
		013	AF000050	4400R-0006B	BELT	DECK/MECHA DP2-5, DP7C,DP7A OT	
		014	79096235	4470R-0055A	GEAR	PULLEY	
		015	AF000784	6871RZ5130C	PWB(PCB) ASSEMBLY,OTHERS	SUB L/D (DP-4V,DVD+VCR) DI	
		015A	AF000751	4681R-A013A	MOTOR ASSEMBLY	DVD DP-7C1BOARD LOADING(DI MTK	
		015B	79096516	4560R-0008A	PULLEY	MOTOR	
		015C	79096515	4680HP2001A	MOTOR(MECH)	RF-300CH-11440(SHAFT 6.05L)M/C	
		015C	AF000064	4680R-D003A	MOTOR(MECH)	LOADING RF-300EH-1D390 MABUCHI	
		015C	AF000066	4680R-E010A	MOTOR(MECH)	FEEDING BCZ3B51 SANKYO FOR DP7	
		015C	AF000065	4680R-E009A	MOTOR(MECH)	FEEDING RF300EH-1D390 MABUCHI	
		017	79096236	4470R-0056A	GEAR	LOADING	
		018	79096240	4974R-0023A	GUIDE	UP/DOWN	
		020	AF000330	3040R-D006A	BASE	DP-7C(04.COMBI) MOLD 1-BOARD	NSP
		021	AF000062	4680R-C011A	MOTOR(MECH)	SPINDLE JCL9B68 SANKYO FOR COM	
		022	79096514	4681R-0034C	MOTOR ASSEMBLY	DECK/MECHA FEED DP-7C(DI)	

TOSHIBA MODEL : SD-34VESE

NSP : Not available as service parts.
 RUN DATE : 28-JUNE-04

S	AL	LOCA. NO.	TOSHIBA P/NO	LG PART NO.	DESCRIPTION	SPECIFICATION	REMARKS
		024	AF000054	4470R-0131A	GEAR	PINION DP7C	
		024A	79096508	5006R-0044A	CAP	SKEW-T DP7C	
		024B	79096509	5006R-0043A	CAP	SKEW DP7C	
		025	79096518	4470R-0130A	GEAR	MIDDLE DP7C	
		026	AF000353	3390R-0017A	TRAY	DVD DISC(DP-7C-SLIM) MOLD	
		028	79096520	4370R-0082B	SHAFT	DECK/MECHA PU R DP-7C OTHER	
		029	AF000049	4370R-0082A	SHAFT	PU DP-7C	
		030	79096517	4471R-0013C	GEAR ASSEMBLY	DECK/MECHA RACK DP-7C(7A) DI	
		429	79096221	1SZZR-0012A	SCREW,DRAWING	B-TITE	
		430	79097901	1SZZH-1003A	SCREW,DRAWING	+ D2.0 6MM SWRCH16A/NIY 4.5MM	
		430	79097901	1SZZH-1003A	SCREW,DRAWING	+ D2.0 6MM SWRCH16A/NIY 4.5MM	
		431	79096220	1SZZH-1007B	SCREW,DRAWING	+ D2.0 6MM SWRCH16A/ZNBK 4MM 1	
		431	79096220	1SZZH-1007B	SCREW,DRAWING	+ D2.0 6MM SWRCH16A/ZNBK 4MM 1	
		433	79096541	1SZZR-0050A	SCREW,DRAWING	+ 1 D2.0 L4.5 SWRCH16A/ZNY S-T	
		435	79097902	1SZZR-0011A	SCREW,DRAWING	MACHINE	